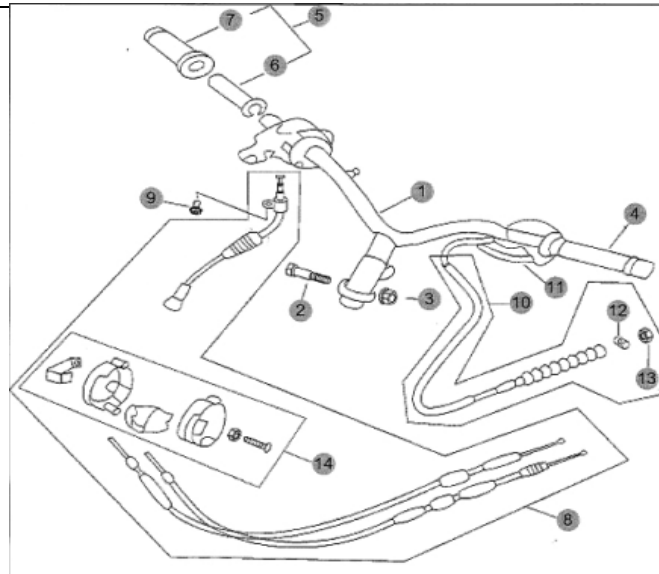


操纵系总成

CABLE/STEERING HANDLE

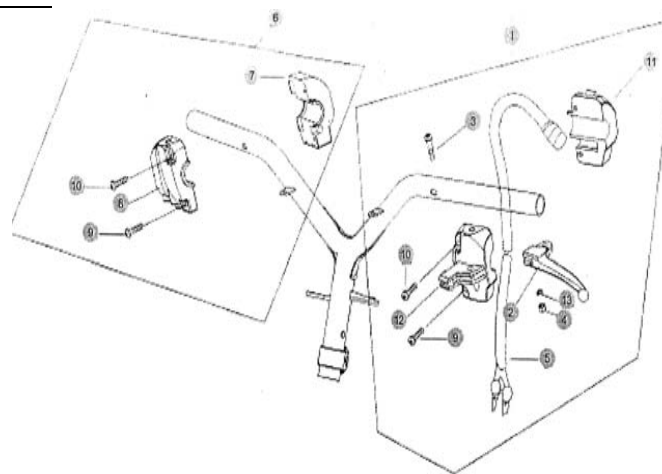
| 序号 | 代码 | 数量 | |
|-----|-----------------|---------------------|---|
| NO. | CODE | QTY. | |
| 1 | Q0C09010010 | HANDLE COMP. | 1 |
| 2 | B01091004565000 | FLANGE SCREW 10×45 | 1 |
| 3 | B04171000065000 | FLANGE U NUT M10 | 1 |
| 4 | Q0C09061020 | L.H.GRIP | 1 |
| 5 | Q0C09023000 | R.H.GRIP ASSY | 1 |
| 6 | Q0C09023010 | R.H.GRIP | 1 |
| 7 | Q0C09023020 | THROTTLE GUIDE TUBE | 1 |
| 8 | Q0C09025000 | THROTTLE CABLE ASSY | 1 |
| 9 | B02000501020 | PAN HEAD SCREW 5×10 | 1 |
| 10 | Q0C08046000 | BRAKE CABLE | 1 |
| 11 | Q0C08046060 | RUBBER SLEEVE | 1 |
| 12 | Q0C09063070 | COLLAR BRAKE CABLE | 1 |
| 13 | Q0F09063080 | ADJUSTING NUT | 1 |
| 14 | Q0C09025000 | DISTRIBUTOR | 1 |



手柄、组合开关

LEVER/HANDLE SWITCH

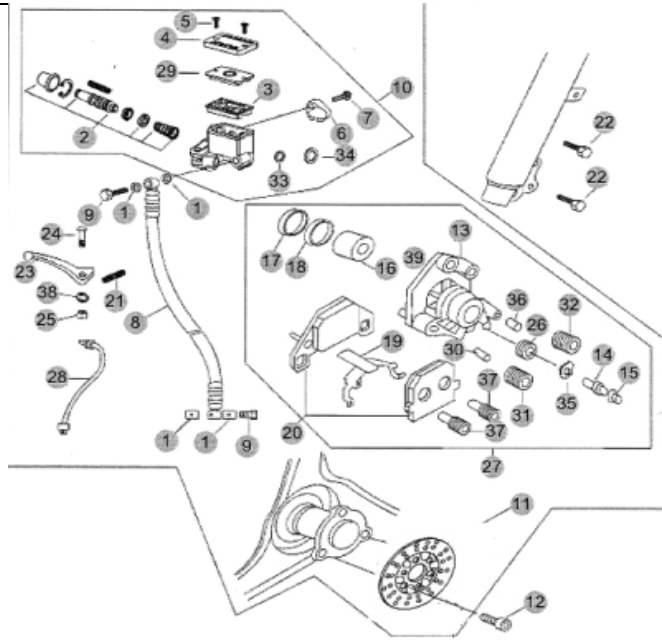
| 序号 | 代码 | | 数量 |
|-----|-----------------|-------------------------|------|
| NO. | CODE | | QTY. |
| 1 | Q0C15011000 | LEFT HANDLE SWITCH , 1 | 1 |
| 2 | Q0C09061010 | LEFT LEVER | 1 |
| 3 | Q0C09061030 | LEVER MOUNTING SCREW5 | 1 |
| 4 | B04000500045000 | UNUT 5MM | 1 |
| 5 | Q0C09065000 | STOP SWITCH ASSY. | 1 |
| 6 | Q0C15012000 | RIGHT HANDLE SWITCH , 2 | 1 |
| 7 | Q0C15012010 | SWITCH ASSY RIGHT | 1 |
| 8 | Q0C15012020 | SWITCH FIXING R. | 1 |
| 9 | B02000502020 | PAN HEAD SCREW5×20 | 1 |
| 10 | B02000502020 | PAN HEAD SCREW5×225 | 1 |
| 11 | Q0C15011010 | SWITCH ASSY LEFT | 1 |
| 12 | Q0C15011020 | BRAKE LEVER FIXING L. | 1 |
| 13 | B07000000505 | WASHER M5 | 1 |



前液刹总成

FRONT MASTER CALIPER

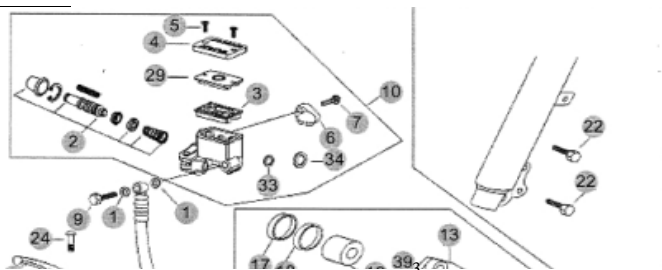
| 序号 | 代码 | | 数量 |
|-----|------------------|--------------------------------|------|
| NO. | CODE | | QTY. |
| 1 | Q0C08012010 | PLATE WASHER EUROII | 4 |
| 2 | Q0C08011030 | PISTON ASSY EUROII | 1 |
| 3 | Q0C08011040 | GASKET EUROII | 1 |
| 4 | Q0C08011020 | COVER EUROII | 1 |
| 5 | B02010401025000 | FLAT HEAD SREW M4×10 EUROII | 1 |
| 6 | Q0C08011050 | MASTER CYLINDER BRACKET EUROII | 1 |
| 7 | B01070602365000 | SCREW M6×23 EUROII | 1 |
| 8 | Q0C08012000 | FR. BRAKE HOSE EUROII | 1 |
| 9 | Q0C08012070 | UNION BOLT EUROII | 2 |
| 10 | Q0C08011000 | CYLINDER COMPL EUROII | 1 |
| 11 | Q0C08015010 | BRAKE DISC EUROII | 1 |
| 12 | Q0C08015030 | BOLT 8×20 (BLACK) | 3 |
| 13 | Q0C08014060 | CONNECTION BRACKET EUROII | 1 |
| 14 | Q0C08014020 | BREED SCREW EUROII | 1 |
| 15 | Q0C08014030 | BREED SCREW CAP EUROII | 1 |
| 16 | Q0C08013010 | OIL PLUG EUROII | 1 |
| 17 | Q0C08013020 | SEAL OIL PLUG EUROII | 1 |
| 18 | Q0C08013030 | COVER DUST SEAL EUROII | 1 |
| 19 | Q0C08015020 | PAD SUPPORT EUROII | 1 |
| 20 | Q0C08014070 | BRAKE PAD KIT | 2 |
| 21 | Q0C08011060 | TENSION SPRIG,LEVER EUROII | 1 |
| 22 | B010908035063000 | BOLT 8×35 | 2 |
| 23 | Q0C08011070 | RIGHT LEVER | 1 |
| 24 | Q0C08011130 | BOLT 6MM | 1 |



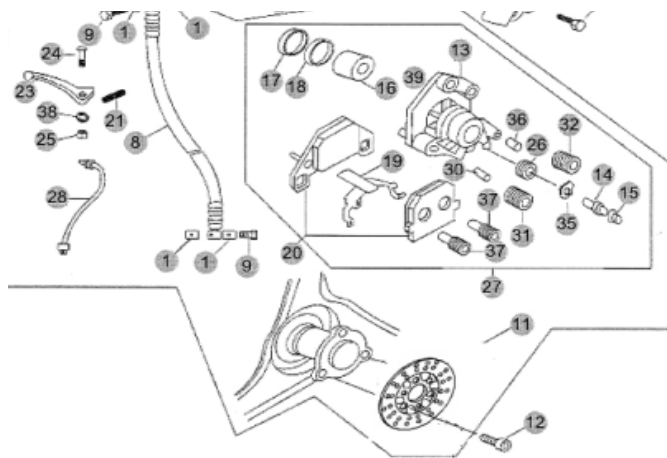
前液刹总成

FRONT MASTER CALIPER

| 序号 | 代码 | | 数量 |
|-----|-----------------|------------------|------|
| NO. | CODE | | QTY. |
| 25 | B04000600045000 | NUT 6MM | 1 |
| 26 | Q0C08014070 | DUST | 1 |
| 27 | Q0C08013000 | CALIPER ASSY. | 1 |
| 28 | Q0C08011190 | STOP SWITCH ASSY | 1 |



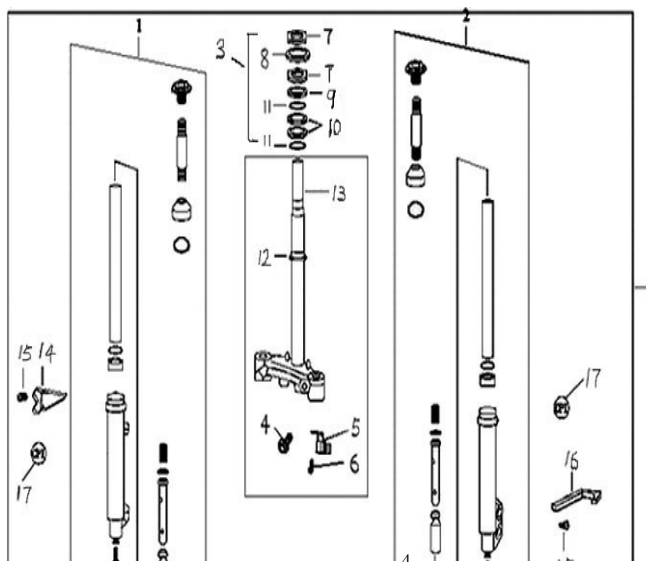
| | | | |
|----|--------------|-------------------------------------|---|
| 29 | Q0C0801110 | COVER,CYLINDER EUROII | 1 |
| 30 | Q0C08014080 | GUIDE AXLE EUROII | 1 |
| 31 | Q0C08014090 | RUBBER GUIDE EUROII | 1 |
| 32 | Q0C08014100 | RUBBER GUIDE EUROII | 1 |
| 33 | Q0C08014110 | MIRROR OIL INSPECTION | 1 |
| 34 | Q0C08011120 | GAKET OIL INSPECTION EUROII | 1 |
| 35 | Q0C0801410 | WAVE WASHER EUROII | 1 |
| 36 | Q0C0801420 | GUIDE AXLE EUROII | 1 |
| 37 | Q0C08014130 | GUIDE POLE FIXING BRAKE PADS EUROII | 1 |
| 38 | Q0C08014140 | WASHER EUROII | 1 |
| 39 | Q0C408014150 | CONNECTION BRACKET | 1 |

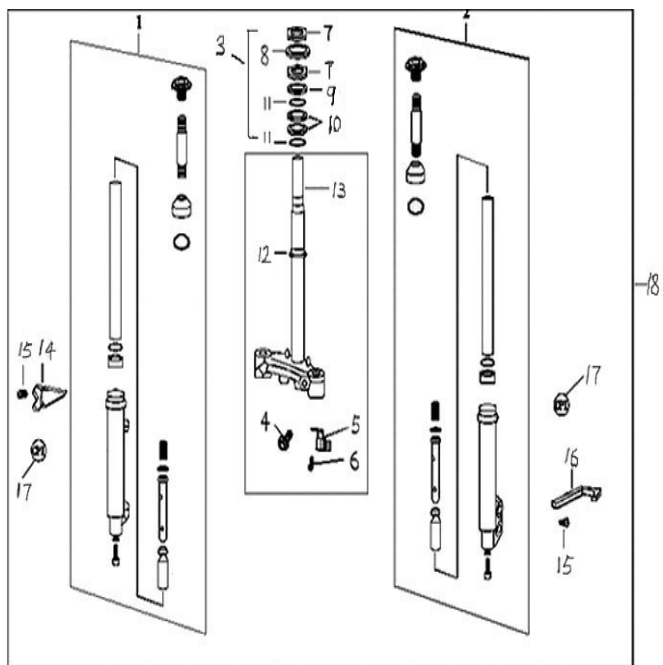


前叉总成

FRONT FORK

| 序号 | 代码 | 名称及规格 | 数量 |
|-----|-----------------|-----------------------------|------|
| NO. | CODE | DESCRIPTION | QTY. |
| 1 | Q0C05010000 | F.L. FORK ASSY. | 1 |
| 2 | Q0C05020000 | F.R. FORK ASSY. | 1 |
| 3 | Q0C05063000 | BALL RACE , 4 | 1 |
| 4 | B01091003063000 | FLANGE BOLT 10×30 (BLACK) | 2 |
| 5 | Q0C08012030 | FR. BRAKE HOSE HOLDER,2 | 1 |
| 6 | B01090601263000 | FLANGE BOLT 6×12 (BLACK) | 1 |
| 7 | Q0C05061030 | NUT (BLACK) | 2 |
| 8 | Q0C05061140 | BALL RACE COVER (BLACK) | 1 |
| 9 | Q0C05063030 | BALL RACE , 1(GOLD COLORED) | 1 |
| 10 | Q0C05063050 | BALL RACE , 3 | 2 |
| 11 | Q0C05063010 | STEEL BALL 3/16" | 42 |
| 12 | Q0C05063040 | BALL RACE , 2 | 1 |



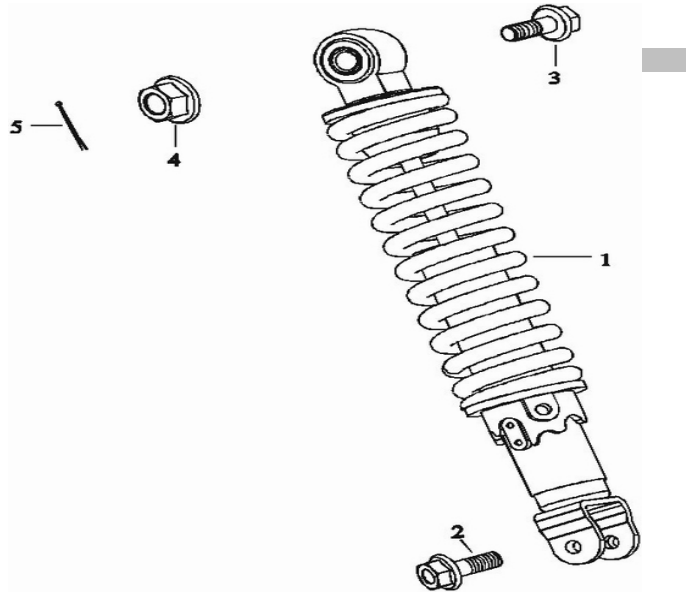


| | | | |
|----|-----------------|---------------------------|---|
| 13 | Q0C05061100 | FRONT FORK ASSY | 1 |
| 14 | Q0C17021100 | CABLE HOLDER | 1 |
| 15 | B01090601663000 | FLANGE BOLT 6×16 (BLACK) | 2 |
| 16 | Q0C08012020 | FR. BRAKE HOSE HOLDER,1 | 1 |
| 17 | Q0C18010160 | STICK | 2 |
| 18 | Q0C05051000 | FRONT FORK ASSY. | 1 |

后减震器总成

REAR SUSPENSION

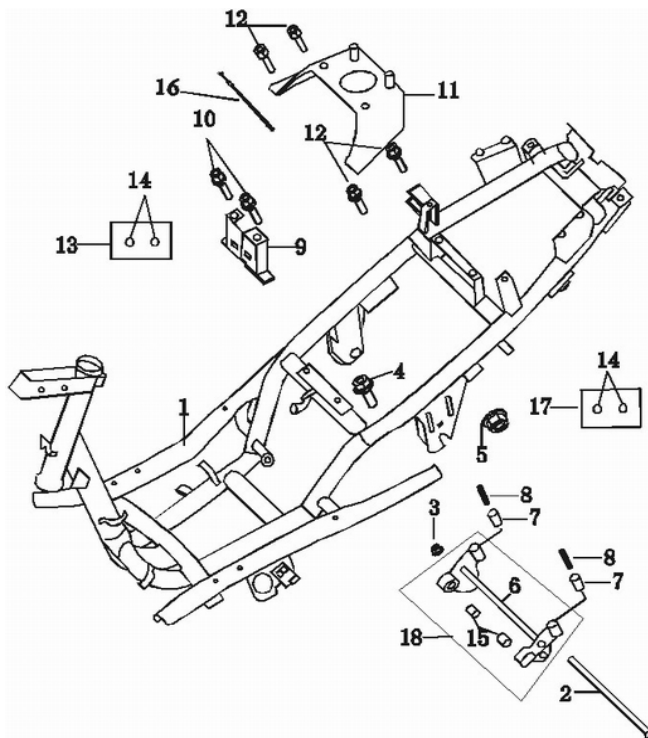
| 序号 | 代码 | 名称及规格 | 数量 |
|-----|-----------------|----------------------------|------|
| NO. | CODE | DESCRIPTION | QTY. |
| 1 | Q0C06010000 | RR.SHOCK ABSORBER ASSY | 1 |
| 2 | B01090803263000 | FLANGE BOLT8×32 (BLACK) | 1 |
| 3 | B01111004063000 | BOLT W/HOLE 10×40 (BLACK) | 1 |
| 4 | B04081012563000 | FLANGE NUT 10X1.25MM | 1 |
| 5 | B09002501800000 | SPLITPIN 2.5×18 | 1 |



车架总成

FRAME BODY

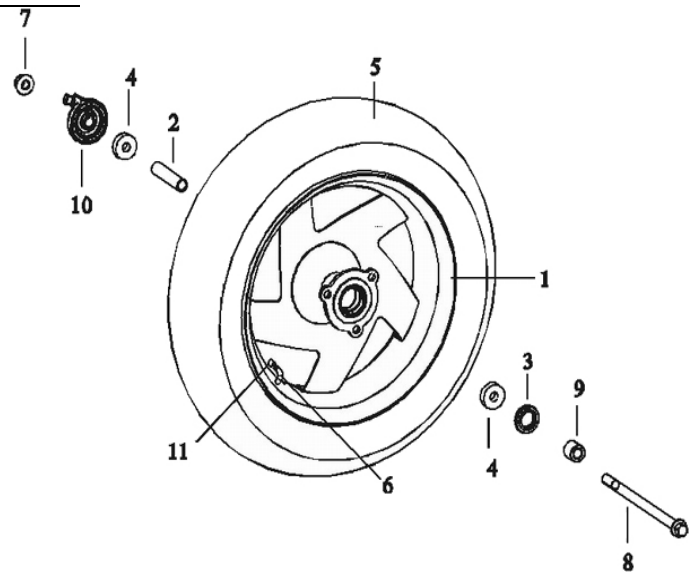
| 序号 NO. | 代码 CODE | 名称及规格 DESCRIPTION | 数量 QTY. |
|-----------|-----------------|------------------------------------|------------|
| 1 | Q0C03010000 | FRANE COMP | 1 |
| 2 | Q0C03051030 | E/GMOUNTING BOLT,1(GOLD COLORED) | 1 |
| 3 | B04171212563000 | FLANGE UNUT M12×1.25(GOLD COLORED) | 1 |
| 4 | Q0C03052070 | E/GMOUNTING BOLT, 2 (BLACK) | 2 |
| 5 | B04171012565000 | FLANGE UNUT M10×1.25 (BLACK) | 2 |
| 6 | Q0C03051070 | E/G BRKT.COMP | 1 |
| 7 | Q0C03051040 | DAMPER | 2 |
| 8 | Q0C03051090 | SPRIING | 2 |
| 9 | Q0C15064020 | SEAT CATCH COMP | 1 |
| 10 | B01090602063000 | FLANGE BOLT 6×20 (BLACK) | 2 |
| 11 | Q0C14010080 | CARRIER BRARCKET | 1 |
| 12 | B01090601263000 | FLANGE BOLT 6×12 (BLACK) | 4 |
| 13 | Q0C18010160 | FRANE BODY NO PLATE | 1 |
| 14 | B10073200700000 | RIVET 3.2×7 | 4 |
| 15 | Q0C03051010 | BUFFER, ENGINE BRACKET | 2 |
| 16 | Q0C15064000 | SEAT CABLE | 1 |
| 17 | Q0C18010180 | PLATE ANTI-TAIMPERING | 1 |
| 18 | Q0C03051000 | E/G BRKT COMP. | 1 |



前轮总成

FRONT WHEEL

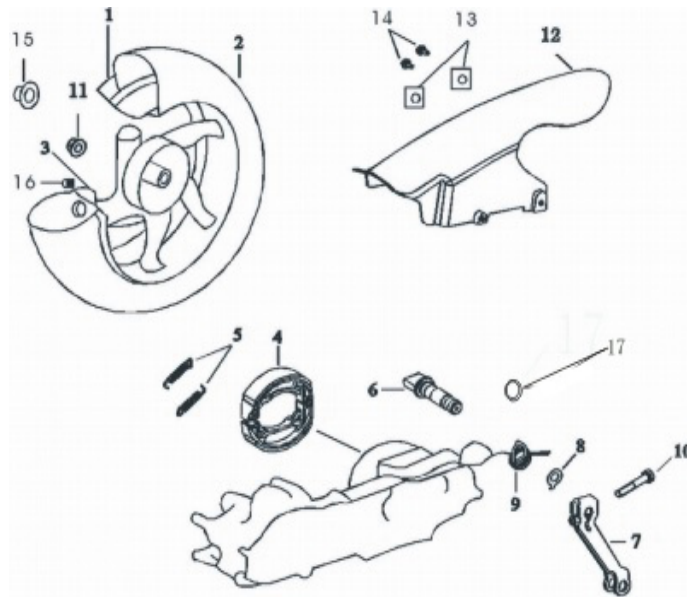
| 序号 NO. | 代码 CODE | | 数量 QTY. |
|-----------|-----------------|---------------------------------------|------------|
| 1 | Q0C07013010 | RIM COMP.3.5×12" | 1 |
| 2 | Q0C07012070 | DISTANCE COLLAR COMP | 1 |
| 3 | Q0C07012090 | OIL SEAL 22×35×7 | 1 |
| 4 | Q0C07012140 | BALL BEARING 620-2RS | 2 |
| 5 | Q0C07014040 | TIRE 120/70-12 | 1 |
| 6 | Q0C07014060 | RIM VALVE | 1 |
| 7 | B04171200063000 | FLANGE UNUT(GOLD COLORED) | 1 |
| 8 | Q0C07012080 | FR.WHEEL AXLE 12×224(GOLD COLORED) | 1 |
| 9 | Q0C07012100 | COLLAR | 1 |
| 10 | Q0C07011000 | SPEEDOMETR GEAR COMP. | 1 |
| 11 | Q0C07014050 | CAP, VALVE | 1 |



后轮总成

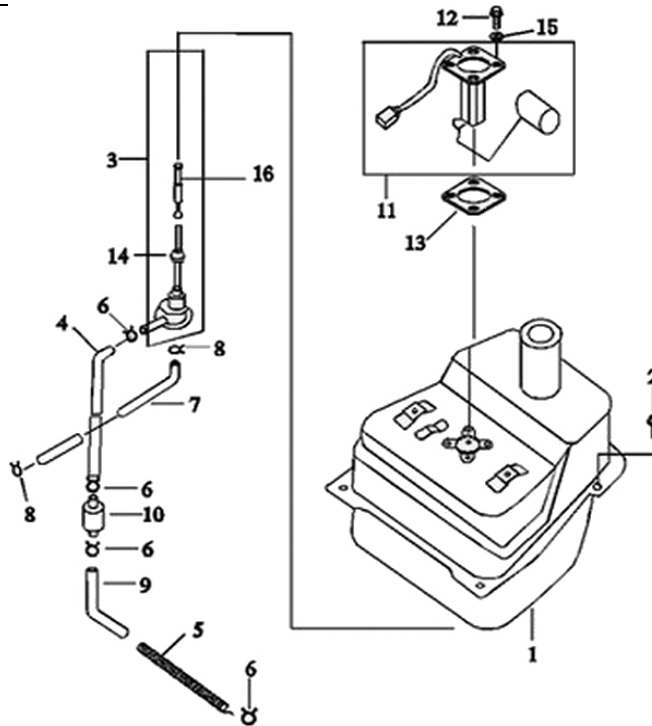
REAR WHEEL

| 序号 | 代码 | | 数量 |
|-----|-----------------|-----------------------------|------|
| NO. | CODE | | QTY. |
| 1 | Q0C07022010 | RIM COMP.3.5×12" | 1 |
| 2 | Q0C07023040 | TIRE 130/70-12 | 1 |
| 3 | Q0C07023050 | RIM VALVE Z2-01-1 | 1 |
| 4 | Q0C08041120 | BRAKESHOEKIT(和给土耳其客人的一样) | 2 |
| 5 | Q0C08041070 | SPRING | 2 |
| 6 | Q0C08041030 | CAM SHAFT,2 | 1 |
| 7 | Q0C08041020 | CAM SHAFT LEVER,2 | 1 |
| 8 | Q0C08041080 | INDICATOR PLATE | 1 |
| 9 | Q0C08041050 | INDICATOR PLATE | 1 |
| 10 | B01090602842000 | HEX.BOLT | 1 |
| 11 | B04171615063000 | UNUT 16×1.5MM(GOLD COLORED) | 1 |
| 12 | Q0C040500100066 | REAR FENDER | 1 |
| 13 | | SPRING NUT 6MM(BLACK) | 2 |
| 14 | B01090602063000 | FLANGE BOLT M6X20(BLACK) | 2 |
| 15 | Q0C7022030 | CAP | 1 |
| 16 | Q0C7023060 | CAP, VALVE | 1 |
| 17 | Q0C08041100 | FELT RING | 1 |



油箱总成
FUEL TANK

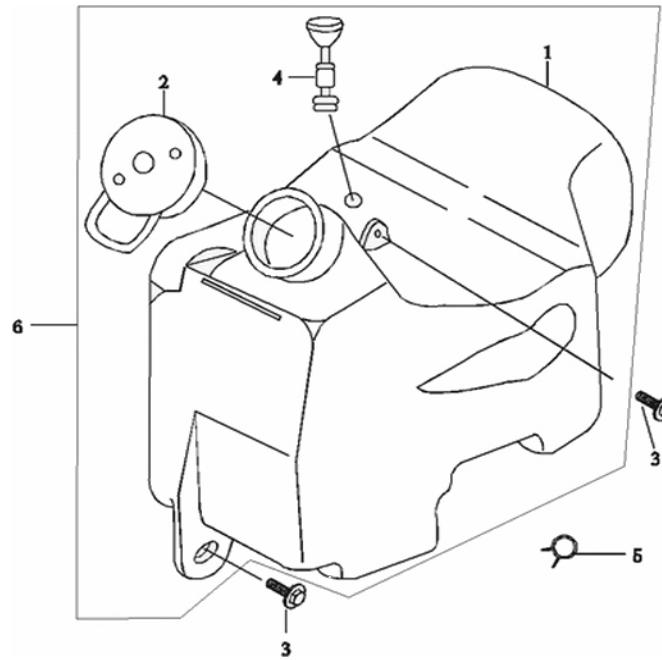
| 序号 | 代码 | | 数量 |
|-----|-----------------|----------------------------------|------|
| NO. | CODE | | QTY. |
| 1 | Q0C11011000 | FUEL TANK COMP. | 1 |
| 2 | B01090601263000 | FLANGE BOLT 6×12(BLACK) | 4 |
| 3 | Q0C11030000 | FUEL COCK COMP. | 1 |
| 4 | T5E11060010 | FUEL HOSE, 1 | 1 |
| 5 | Q0C11060160 | SPRING | 1 |
| 6 | Q0C11060040 | CLIP 8MM | 4 |
| 7 | T5E11060030 | VACUUM HOSE | 1 |
| 8 | Q0C11060040 | CLIP 7MM | 2 |
| 9 | T5E11060020 | FUEL HOSE, 2 | 1 |
| 10 | P4A11050000 | FUEL FILTER ASSY. | 1 |
| 11 | Q0C11041000 | SENDER UNIT | 1 |
| 12 | B01030501623000 | BOLT W/WASHER 5×16(GOLD COLORED) | 4 |
| 13 | Q0C11040010 | GASKET | 1 |
| 14 | Q0C11030030 | SEAL RING | 1 |
| 15 | B07030000503000 | WASHER 5(GOLD COLORED) | 4 |
| 16 | Q0C11030150 | FUEL FILTER | 1 |



机油箱总成

OIL TANK

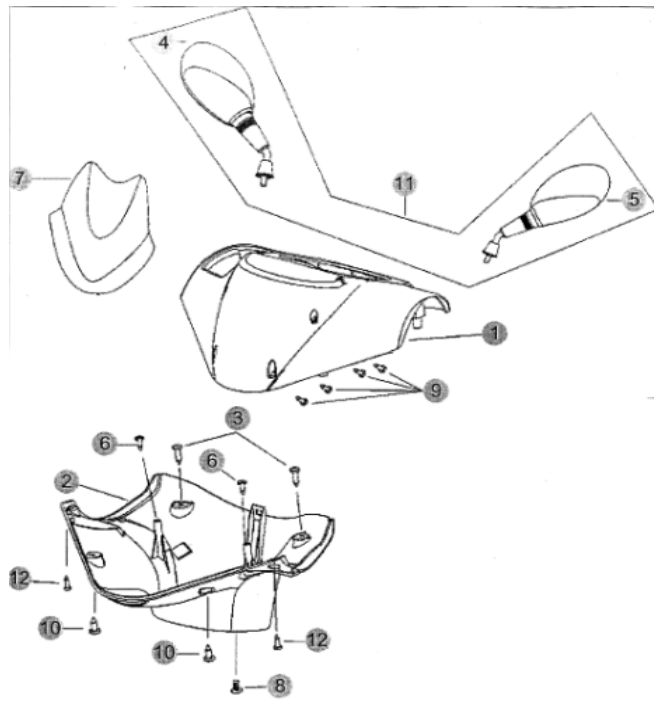
| 序号 | 代码 | | 数量 |
|-----|-----------------|---------------------|------|
| NO. | CODE | | QTY. |
| 1 | Q0C12010000 | OIL TANK | 1 |
| 2 | Q0C12020000 | OIL TANK CAP | 1 |
| 3 | B01090601223000 | BOLT 6×12(BLACK) | 2 |
| 4 | Q0C12060000 | OILLEVER GAUGE ASSY | 1 |
| 5 | Q0C12010010 | CLIP 8 | 1 |
| 6 | Q0C12000000 | OIL TANK ASSY. | 1 |



把手盖总成

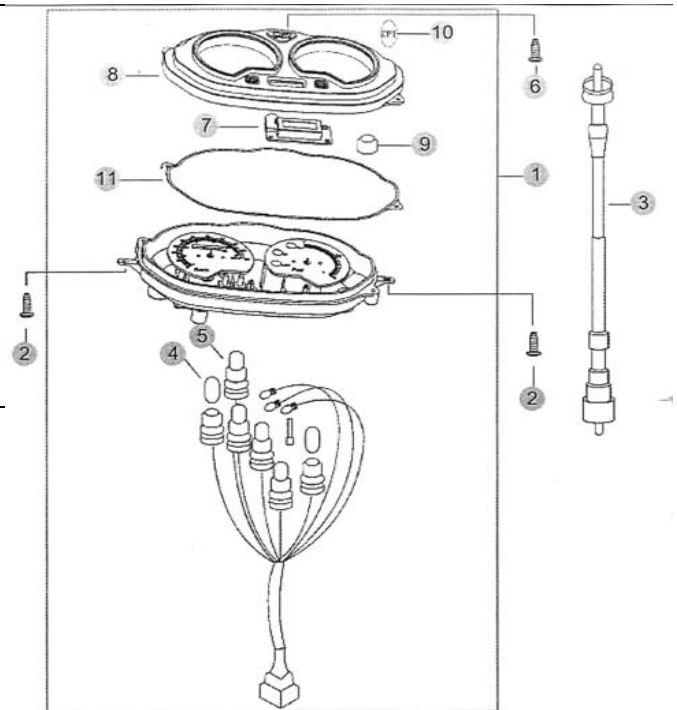
HANDLE COVER

| 序号 | 代码 | | 数量 |
|-----|-----------------|-----------------------------|------|
| NO. | CODE | | QTY. |
| 1 | Q0C04020010 | HANDLE COVER, I | 1 |
| 2 | Q0C04020030 | HANDLE COVER | 1 |
| 3 | B05004801205000 | TAPPING SCREW4.8×12(BLACK) | 2 |
| 4 | Q0F09072000 | RIGHT MIRROR | 1 |
| 5 | Q0F09071000 | LEFT MIRROR | 1 |
| 6 | B05004801205000 | TAPPING SCREW4.8×12(BLACK) | 2 |
| 7 | Q0C040200210067 | METER VISON ASSY. | 1 |
| 8 | B13050501605000 | SCREW WWASHER 5×16(BLACK) | 1 |
| 9 | B05002901005000 | TAPPING SCREW2.9×9.5(BLACK) | 4 |
| 10 | B05004801205000 | TAPPING SCREW4.8×12(BLACK) | 2 |
| 11 | Q0F09070000 | REAR VIEW MIRROR ASSY | 1 |
| 12 | B05004801205000 | TAPPING SCREW4.8×12(BLACK) | 2 |



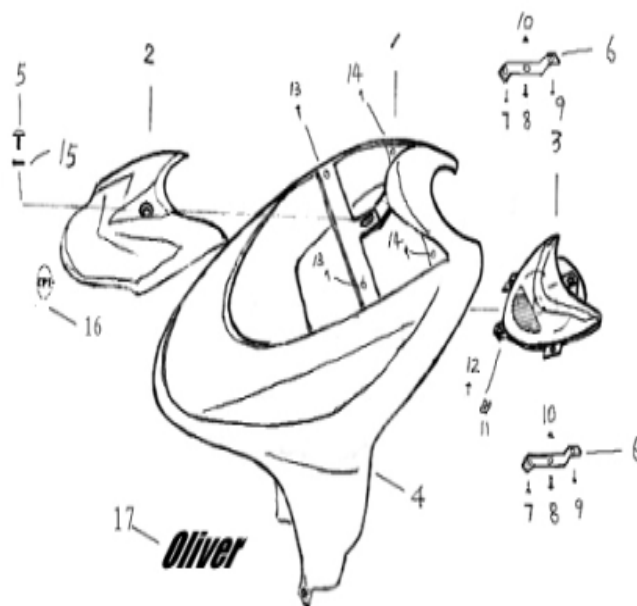
仪表总成
METER

| 序号 NO. | 代码 CODE | | 数量 QTY. |
|-----------|-----------------|-------------------------------------|------------|
| 1 | Q0C17010000 | SPEEDOMETER ASSY(WITH "CPI"LOGO) | 1 |
| 2 | B05004801205000 | TAPPING SCREW4.8×12(BLACK) | 2 |
| 3 | Q0C17020000 | SPEEDOMETER CABLE ASSY | 1 |
| 4 | Q0C17011120 | BLUB 12V-3.4W | 3 |
| 5 | Q0C17011130 | BLUB 12V-1.7W | 3 |
| 6 | B05074001000 | TAPPING SCREW4.8×10(BLACK) | 1 |
| 7 | Q0C17011140 | DIGITAL CLOCK | 1 |
| 8 | Q0C17011010 | SPEEDOMETER UPPER COVER | 1 |
| 9 | Q0C17011150 | SMALL BATTERIE INSIDE | 2 |
| 10 | Q0C18010170 | STICKER CPI | 1 |
| 11 | Q0C17011030 | GASKET DIGITAL CLOCK | 1 |



前面版总成
FENDER

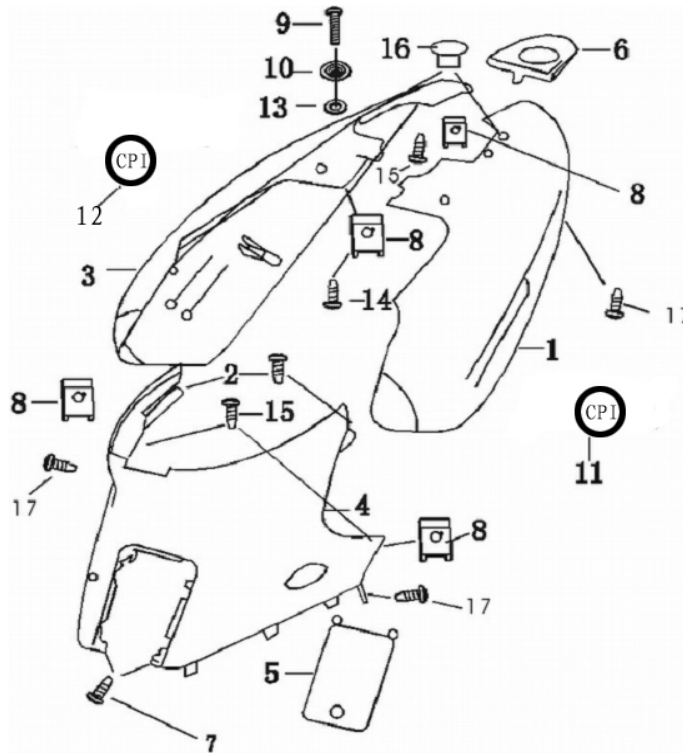
| 序号 | 代码 | 名称及规格 | 数量 |
|-----|-----------------|-----------------------------|------|
| NO. | CODE | DESCRIPTION | QTY. |
| 1 | Q0F04010050 | LEG SHIELD,1, | 1 |
| | Q0F04010051 | LEG SHIELD,1, | 1 |
| 2 | Q0F18020270 | COVER, 1 | 1 |
| | Q0F18020271 | COVER, 1 | 1 |
| 3 | Q0F16011000 | HEAD LIGHT | 1 |
| 4 | B05004201605000 | TAPPING SCREW 4.2×16(BLACK) | 4 |
| 5 | Q0C04010770 | SCREW 6×16 | 1 |
| 6 | Q0F16012010 | HEAD LIGHT BRACKET | 2 |
| 7 | B05004201205000 | TAPPING SCREW 4.2×12(BLACK) | 2 |
| 8 | B02000502063000 | HEX. 5×20 | 2 |
| 9 | B05004201605000 | TAPPING SCREW 4.2×16(BLACK) | 2 |
| 10 | B04070500033000 | NUT 5MM(GOLD COLORED) | 2 |
| 11 | 4.2 | SPRING NUT 4.2MM | 1 |
| 12 | B05004801605000 | TAPPING SCREW 4.8×16(BLACK) | 1 |
| 13 | B05004201605000 | TAPPING SCREW 4.2×16(BLACK) | 2 |
| 14 | B05004801205000 | TAPPING SCREW 4.2×12(BLACK) | 2 |
| 15 | Q0C04010500 | CUSHION, FR. COVER SCREW | 1 |
| 16 | Q0F18010170 | STICKER CPI | 1 |
| 17 | Q0F180201010 | YELLOW "OLIVER" STICK | 2 |
| | Q0F180201011 | SILVER "OLIVER" STICK | 2 |



护板总成

SIDE COVER

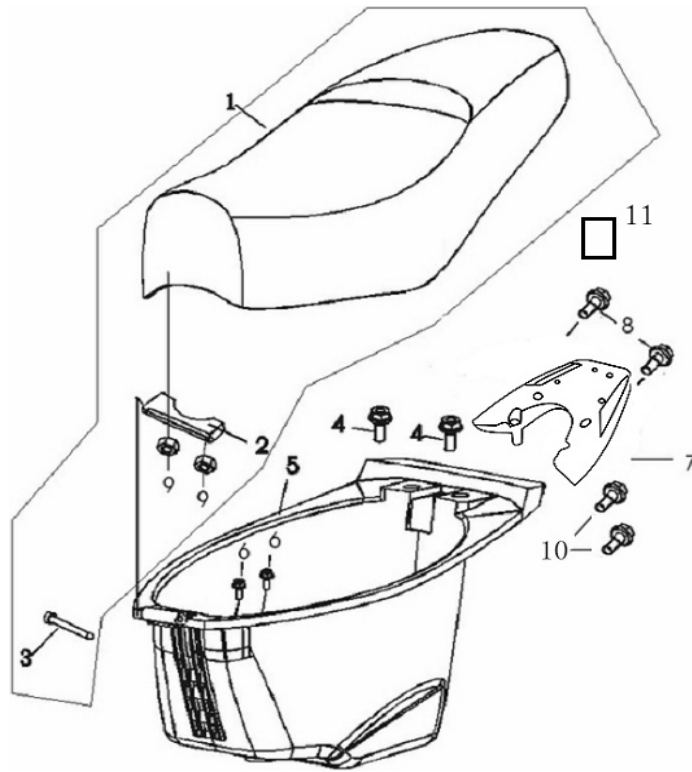
| 序号 | 代码 | 名称及规格 | 数量 |
|-----|-----------------|--------------------------------|------|
| NO. | CODE | DESCRIPTION | QTY. |
| 1 | Q0C04010430 | SIDE COVER,1 | 1 |
| 2 | B05004201205000 | TAPPING SCREW4.2×12 (BLACK) | 2 |
| 3 | Q0C04010440 | SIDE COVER,2 | 1 |
| 4 | Q0C04010240 | SIDE COVER,3 | 1 |
| 5 | Q0C04010300 | SIDE COVER,4 | 1 |
| 6 | Q0C04010290 | SIDE COVER,4 | 1 |
| 7 | B05004801605000 | TAPPING SCREW 4.8×16 (BLACK) | 2 |
| 8 | 4.2 | SPRING NUT 4.2MM | 2 |
| 9 | B02000601663000 | SCREW W/WASHER6×16(GOLD COLOR) | 2 |
| 10 | Q0C04010750 | SEAT WASHER | 2 |
| 11 | Q0C18020010 | STICKER,3 | 1 |
| | Q0C18020011 | STICKER,3 | |
| 12 | Q0C18020020 | STICKER,4 | 1 |
| | Q0C18020021 | STICKER,4 | |
| 13 | Q0C04010500 | RUBBER WASHER | 2 |
| 14 | B05004801605000 | TAPPING SCREW 4.8X12 (BLACK) | 1 |
| 15 | B05004801605000 | TAPPING SCREW 4.8X16 (BLACK) | 2 |
| 16 | Q0C04010560 | CAP, DECORATION | 2 |
| 17 | B05004801605000 | TAPPING SCREW 4.8X16 (BLACK) | 2 |



座垫总成

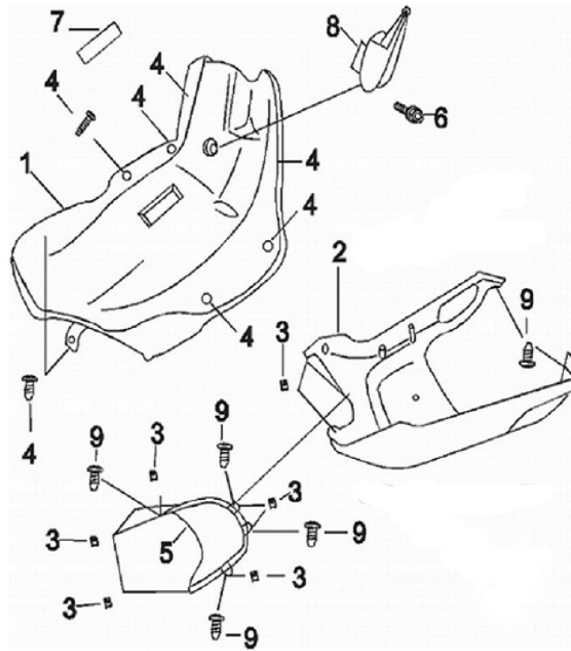
SEAT ASSY

| 序号 | 代码 | 名称及规格 | 数量 |
|-----|-----------------|---------------------------|------|
| NO. | CODE | DESCRIPTION | QTY. |
| 1 | Q0C13011000 | DOUBLE SEAT ASSY. | 1 |
| 2 | Q0C13010060 | SEATHINGE | 1 |
| 3 | Q0C13010100 | BOLT | 1 |
| 4 | Q0C15064040 | BOLT(GOLD COLORED) | 2 |
| 5 | Q0C04010170 | LUGGAGE BOX | 1 |
| 6 | B01090601263000 | FLANGE BOLT 6×12 (BLACK) | 2 |
| 7 | Q0C14030010 | RR LUGGAGE CARRIER SOMP | 1 |
| 8 | B02050804065000 | SOCKET BOLT 8×40 | 2 |
| 9 | B0407080033000 | NUT 6MM(GOLD COLORED) | 2 |
| 10 | B02050805065000 | SOCKET BOLT 8×50 | 2 |
| 11 | Q0F18020060 | DOT STICKER | 1 |



脚防护板总成
LEG SHIELD

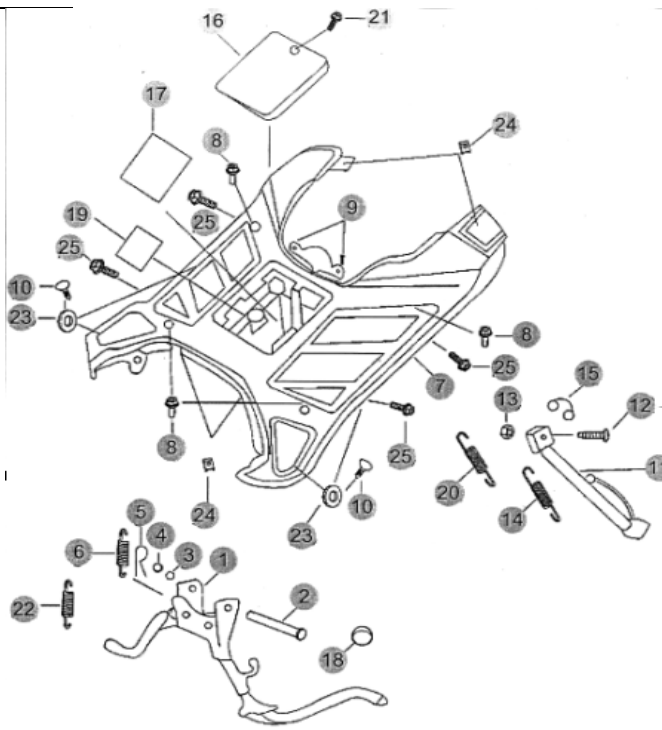
| 序号 | 代码 | | 数量 |
|-----|-----------------|------------------------------|------|
| NO. | CODE | | QTY. |
| 1 | Q0C04010460 | LEG SHIELD,2 | 1 |
| 2 | Q0C04010670 | UNDER COVER(yellow) | 1 |
| | Q0C04010671 | UNDER COVER(SILVER) | 1 |
| 3 | B0451480003000 | SPRING NUT 4.8MM | 6 |
| 4 | B05004801605000 | TAPPING SCREW4.8×16 (BLACK) | 6 |
| 5 | Q0C040400800066 | INNER FENDER. | 1 |
| 6 | B01090603063000 | BOLT 6MM (BLACK) | 1 |
| 7 | Q0C04010190 | INSPECT COVER | 1 |
| 8 | Q0C04010700 | HOOK | 1 |
| 9 | B05004201205000 | TAPPING SCREW4.2×12 (BLACK) | 6 |



撑架/脚踏板

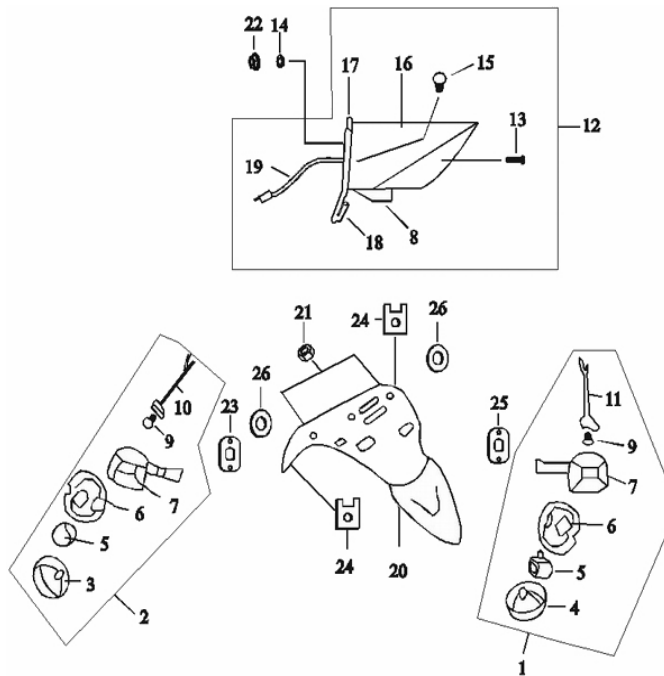
STAND/FOOTREST

| 序号 | 代码 | | 数量 |
|-----|-----------------|--------------------------------|------|
| NO. | CODE | | QTY. |
| 1 | Q0F0C03030000 | MAIN STSAND COMP | 1 |
| 2 | Q0C03032020 | PIN | 1 |
| 3 | Q0C03032060 | O-RING 10×1.9 | 1 |
| 4 | B07030001002000 | PLATE WASHER | 1 |
| 5 | B09002501802000 | PIN 2.5×18 | 2 |
| 6 | Q0C03032050 | TENSION SPRING (DIG) | 1 |
| 7 | Q0C040102000066 | FLOOR BLACK | 1 |
| 8 | B01090601663000 | BOLT W/WASHER 6×16 (BLACK) | 4 |
| 9 | B04514200003000 | SPRING NUT 4.2MM | 6 |
| 10 | B05004801605000 | TAPPING SCREW 4.2×16 (BLACK) | 2 |
| 11 | Q0C03041000 | SIDE STAND COMP. | 1 |
| 12 | Q0C03042020 | BOLT 8×22 (BLACK) | 1 |
| 13 | B04070800025000 | UNUT 8MM (BLACK) | 1 |
| 14 | Q0C03042010 | TENSION SPRING (DIG) | 1 |
| 15 | Q0C03042080 | HOOK | 1 |
| 16 | Q0C04010220 | BATTERY COVER | 1 |
| 17 | Q0C15030040 | BATTERY DAMPER I | 1 |
| 18 | Q0C03032030 | CUSHION, MID STAND | 1 |
| 19 | Q0C15030080 | BATTERY DAMPER I | 1 |
| 20 | Q0C03042030 | TENSION SPRING (SMALL) | 1 |
| 21 | B05004801605000 | TAPPING SCREW 4.8×16 (BLACK) | 1 |
| 22 | Q0C03032070 | TENSION SPRING (SMALL) | 1 |
| 23 | B07030000502000 | WASHER 5 | 4 |
| 24 | B04514200003000 | SPRING NUT 4.2MM | 4 |
| 25 | B01090601225000 | BOLT 6X12 (BLACK) | 4 |



尾灯总成
TAIL LIGHT

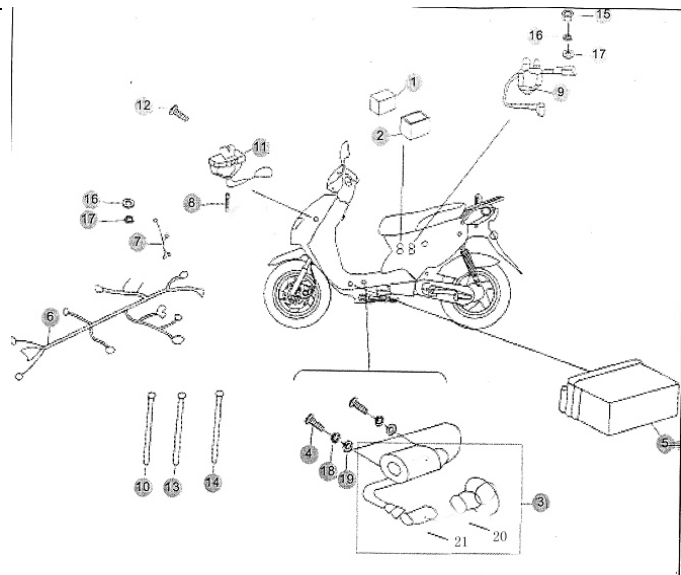
| 序号 | 代码 | 名称及规格 | 数量 |
|-----|-----------------|-----------------------------|------|
| NO. | CODE | DESCRIPTION | QTY. |
| 1 | Q0C16023000 | FLASHER LIGHT COMP | 1 |
| 2 | Q0C16024000 | FLASHER LIGHT COMP | 1 |
| 3 | Q0C16023020 | LIGHT COVER, L. | 1 |
| 4 | Q0C16024030 | LIGHT COVER, R. | 1 |
| 5 | Q0C16023080 | INNER COVER | 2 |
| 6 | Q0C16023060 | BOWL, REFLEX LIGHT | 2 |
| 7 | Q0C16023070 | BULB BASE | 2 |
| 8 | Q0C16031110 | LICENSE LIGHT SLICE | 1 |
| 9 | Q0C16023090 | BULB, 12V/10W | 2 |
| 10 | Q0C16023050 | WIRE COMP., F. L. FLASHER | 1 |
| 11 | Q0C16024040 | WIRE COMP., F. R. FLASHER | 1 |
| 12 | Q0C16031000 | TAIL LIGHT COMP. | 1 |
| 13 | Q0C16031210 | TAPPING SCREW 4X20 | 2 |
| 14 | Q0C16031090 | RUBBER WASHER | 3 |
| 15 | Q0C16031060 | BULB 12V 21/5W | 1 |
| 16 | Q0C16031020 | INDICATOR LENS | 1 |
| 17 | Q0C16031050 | TAIL LIGHT BASE | 1 |
| 18 | Q0C16062010 | RR . REFLECTOR | 1 |
| 19 | Q0C16031040 | WIRE COMP., TAIL LIGHT | 1 |
| 20 | Q0C04030010 | LICENSE BRACKET | 1 |
| 21 | B04221012533000 | NUT M10X1.25(GOLD COLORED) | 2 |
| 22 | B04070600033000 | FLANGE NUT M6(GOLD COLORED) | 3 |
| 23 | Q0C16023040 | FLASHER LIGHT CUSHION | 1 |
| 24 | 4.2 | SPRING NUT 4.2MM | 2 |
| 25 | Q0C16023040 | FLASHER LIGHT CUSHION | 1 |
| 26 | B07030001003000 | WASHER 10 | 2 |



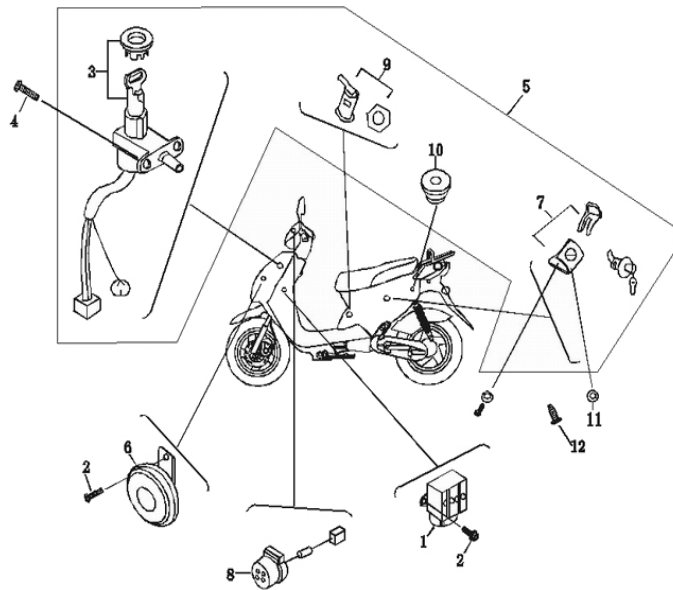
电器总成I

ELECTRICAL EQUIPMENT ASSY.1

| 序号 NO. | 代码 CODE | | 数量 QTY. |
|-----------|-----------------|-----------------------|------------|
| 1 | Q0C15044020 | C.D.I. UNIT COMP. | 1 |
| 2 | Q0C15044010 | CUSHION. C.D.I | 1 |
| 3 | Q0C15042000 | SPARK PLUG CONNECTOR | 1 |
| 4 | B02000502020100 | HEX. 5×20 | 1 |
| 5 | Q0C15031000 | BATTERY ASSY. | 1 |
| 6 | Q0C15051000 | WIRE HARNESS ASSY. | 1 |
| 7 | Q0C15055000 | WIRE HARNESS | 1 |
| 8 | Q0C15050060 | FUSE 7A | 1 |
| 9 | Q0C15041000 | STARTER RELAY COMP. | 1 |
| 10 | Q0C15050020 | BAND 250MM | 2 |
| 11 | Q0C15048000 | RESISTOR COMP. | 1 |
| 12 | B01090601220100 | PAN HEAD SCREW 6×12MM | 1 |
| 13 | Q0C15050030 | BAND 200MM | 2 |
| 14 | Q0C15050040 | BAND 150MM | 1 |
| 15 | B04000600023000 | NUT 6MM(GOLD COLORED) | 1 |
| 16 | B07000000602000 | WASHER 6MM | 2 |
| 17 | B07030000602000 | WASHER 6MM | 2 |
| 18 | B07030000502000 | WASHER 5MM | 2 |
| 19 | B07030000500 | WASHER 5MM | 2 |
| 20 | Q0C15042100 | COVER, IGNITION COIL | 1 |
| 21 | Q0C15042001 | IGNITION COIL ASSY. | 1 |

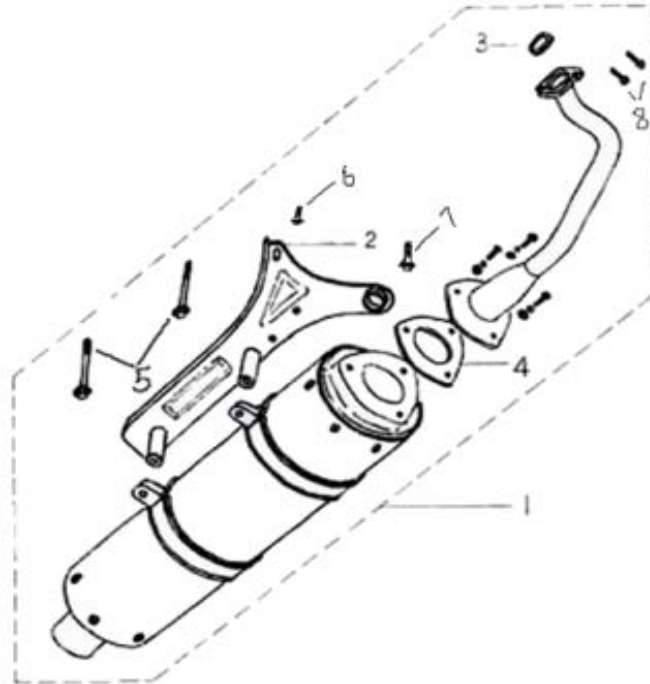


| 电气总成II | | | |
|-------------------------|-----------------|------------------------------|------|
| ELECTRICAL EQUIPMENT II | | | |
| 序号 | 代码 | 名称及规格 | 数量 |
| NO. | CODE | DESCRIPTION | QTY. |
| 1 | Q0C15045010 | REGULATOR COMP. | 1 |
| 2 | B01090601265000 | BOLT 6×12 (BLACK) | 1 |
| 3 | Q0C15061000 | MAIN SWITCH ASSY. | 1 |
| 4 | Q0C15061040 | BOLT 6×16 | 2 |
| 5 | Q0C15060000 | LICK ASSY | 1 |
| 6 | Q0C15021000 | HORN | 1 |
| 7 | B01090601265000 | BOLT 6×12 (BLACK) | 1 |
| 8 | Q0C15043010 | FLASH&AUDIO PILOT/CMF | 1 |
| 9 | Q0C15074000 | LOCK, SIDE COVER | 1 |
| 10 | Q0C11021000 | LOCK ASSY., FUEL TANK | 1 |
| 11 | Q0C15064010 | LOCK ASSY., SEAT | 1 |
| 12 | B05004200805000 | TAPPING SCREW 4.2×8 (BLACK) | 2 |



消音器总成
MUFFLER

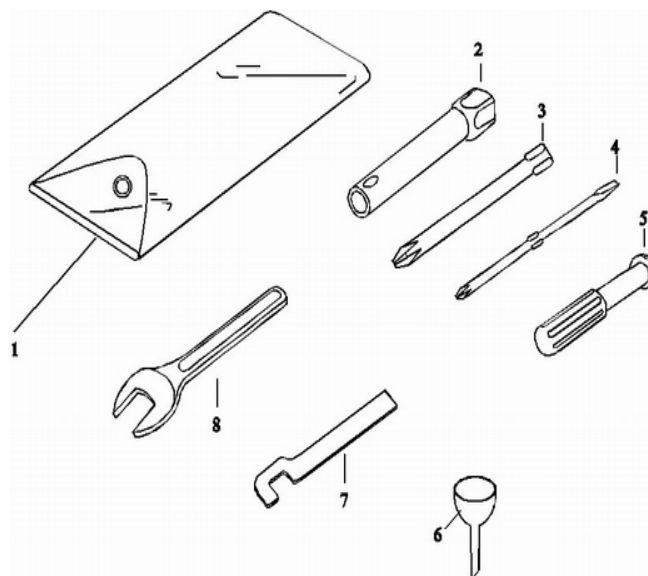
| 序号 | 代码 | 名称及规格 | 数量 |
|-----|-----------------|--------------------------|------|
| NO. | CODE | DESCRIPTION | QTY. |
| 1 | Q0C02010000 | MUFFLER ASSY. | 1 |
| 2 | Q0C02060000 | MOUNTING PLATE | 1 |
| 3 | Q0C02070040 | GROMMET, EXHAUST PIPE | 1 |
| 4 | Q0C02010020 | GASKET, FLANGE | 1 |
| 5 | B01090805565000 | FLANGE BOLT8×55 (BLACK) | 1 |
| 6 | B01090802065000 | FLANGE BOLT8×20 (BLACK) | 1 |
| 7 | B01090803565000 | FLANGE BOLT8×35 (BLACK) | 1 |
| 8 | B01090601665000 | FLANGE BOLT6×16 (BLACK) | 1 |



随车工具

TOOL KIT

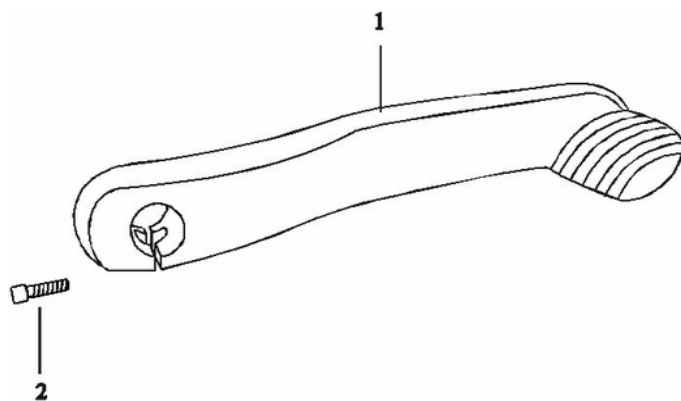
| 序号 | 代码 | 名称及规格 | 数量 |
|-----|-------------|--------------------------|------|
| NO. | CODE | DESCRIPTION | QTY. |
| 1 | Q0C19000130 | TOOL BAG | 1 |
| 2 | Q0C19000030 | SPARK PLUG SOCKET | 1 |
| 3 | Q0C19000040 | SPARK PLUG SOCKET HANDLE | 1 |
| 4 | Q0C19000020 | SCREW DRIVER | 1 |
| 5 | Q0C19000010 | HANDLE | 1 |
| 6 | Q0C19000140 | FILTER, OIL TANK | 1 |
| 7 | Q0C19000120 | RR. ABSORBER ADJUSTER | 1 |
| 8 | Q0C19000110 | WRENCH 35 | 1 |



发动机附件

ENGINE ATTACHMENT

| 序号 | 代码 | 名称及规格 | 数量 |
|-----|-----------------|---------------------------|------|
| NO. | CODE | DESCRIPTION | QTY. |
| 1 | Q0C01082050 | STARTING SHAFT (SILVER) | 1 |
| 2 | B02050602563000 | SCREW 6X25 | 1 |



前挡泥板

FRONT FENDER

| 序号 | 代码 | 名称及规格 | 数量 |
|-----|-----------------|-------------------------|------|
| NO. | CODE | DESCRIPTION | QTY. |
| 1 | Q0C04040010 | FRONT FENDER , BLUE | 1 |
| 2 | B04070600035000 | FLANGE NUT 6MM (BLACK) | 2 |
| 3 | Q0C16061000 | REAR REFLECTOR | 2 |
| 4 | Q0C04040210 | FRONT FENDER BRACKET, 1 | 1 |
| 5 | Q0C04040220 | FRONT FENDER BRACKET, 2 | 1 |
| 6 | B13060601664000 | SCREW W/WASHER 6X16 | 4 |

