

FRAME

PARTS LIST

CPI

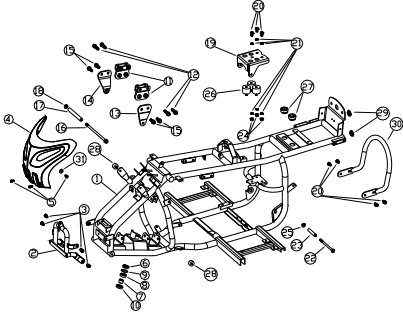
TIV[™] i50

A09-40000-00-00

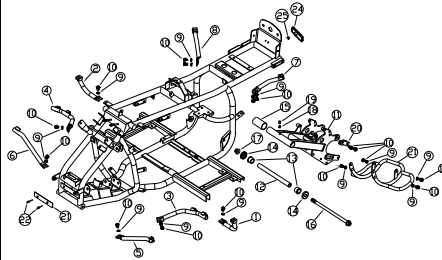
CONTENTS-FRAME GROUP

ATV-150

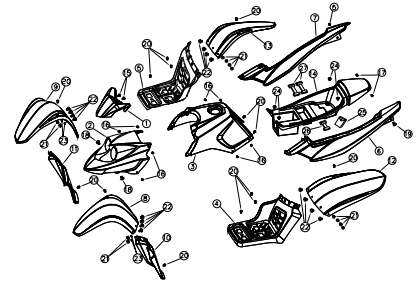
F1 FRAME



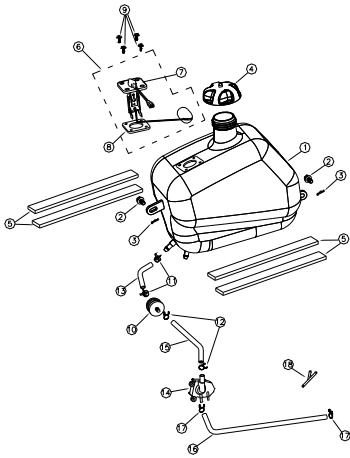
F1 FRAME



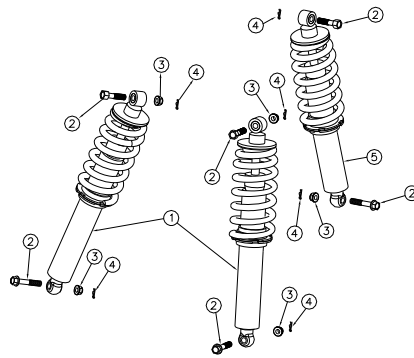
F2 SIDE COVER



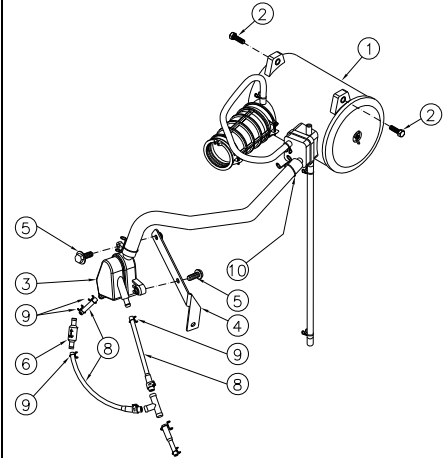
F3 FUEL TANK



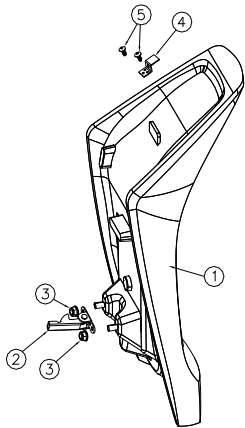
F4 FRONT/REAR SHOCK ABSORBER



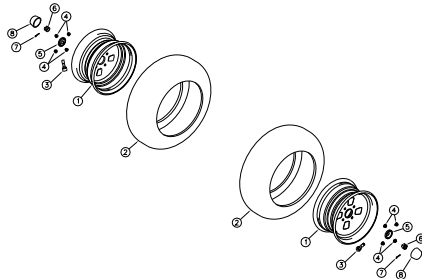
F5 AIR CLEANER



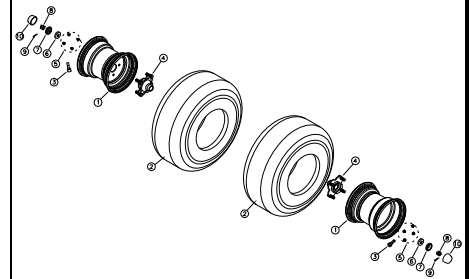
F6 SEAT



F7 FRONT WHEEL



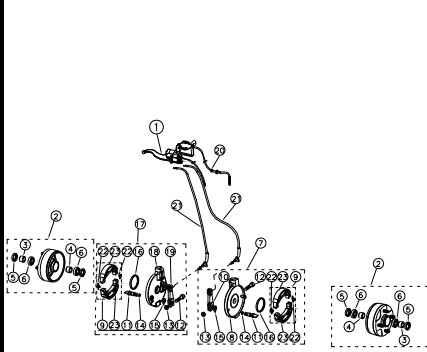
F8 REAR WHEEL



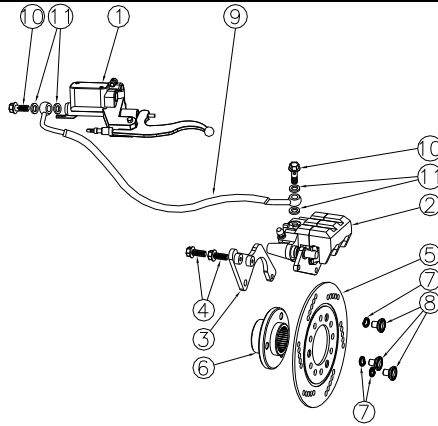
CONTENTS-FRAME GROUP

ATV-150

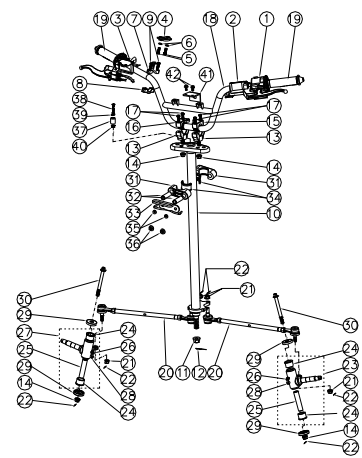
F9 FRONT BRAKE



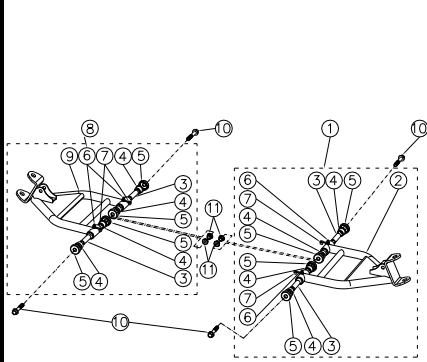
F10 REAR BRAKE



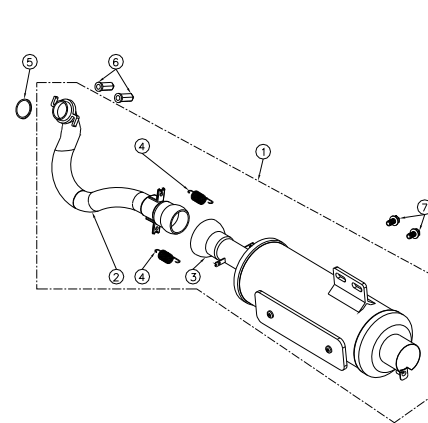
F11 HANDLE BAR



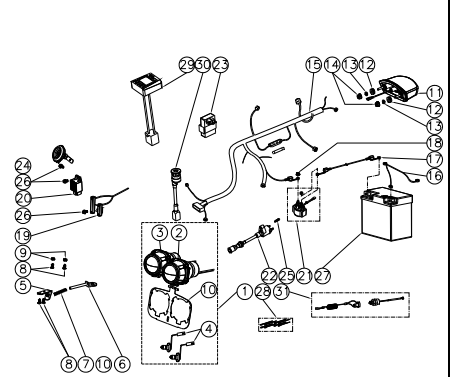
F12 FRONT SWING ARM



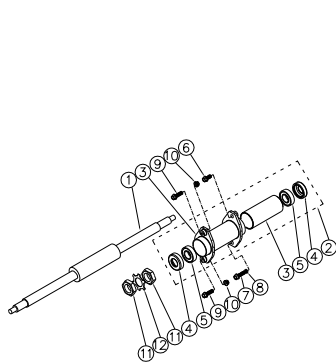
F13 MUFFLER ASSY



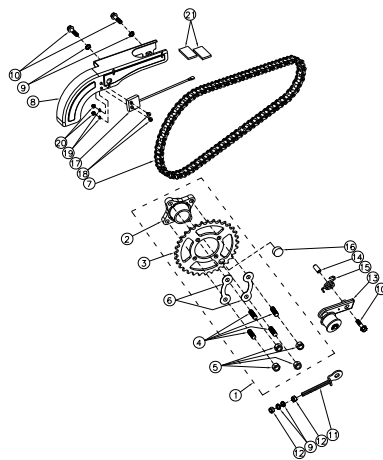
F14 ELECTRICAL PARTS



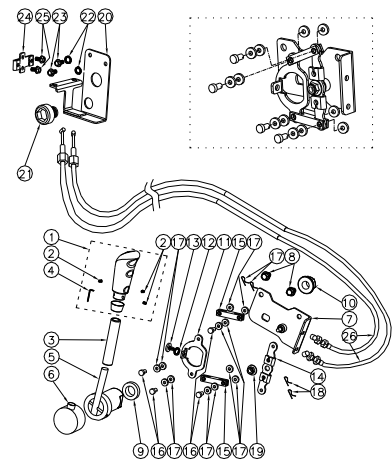
F15 REAR WHEEL AXLE



F16 SPROCKET



F17 REVERS SYSTEM

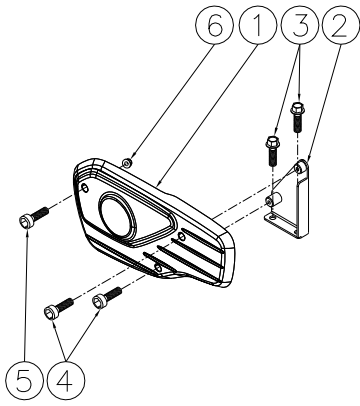


CONTENTS-FRAME GROUP

ATV-150

F19

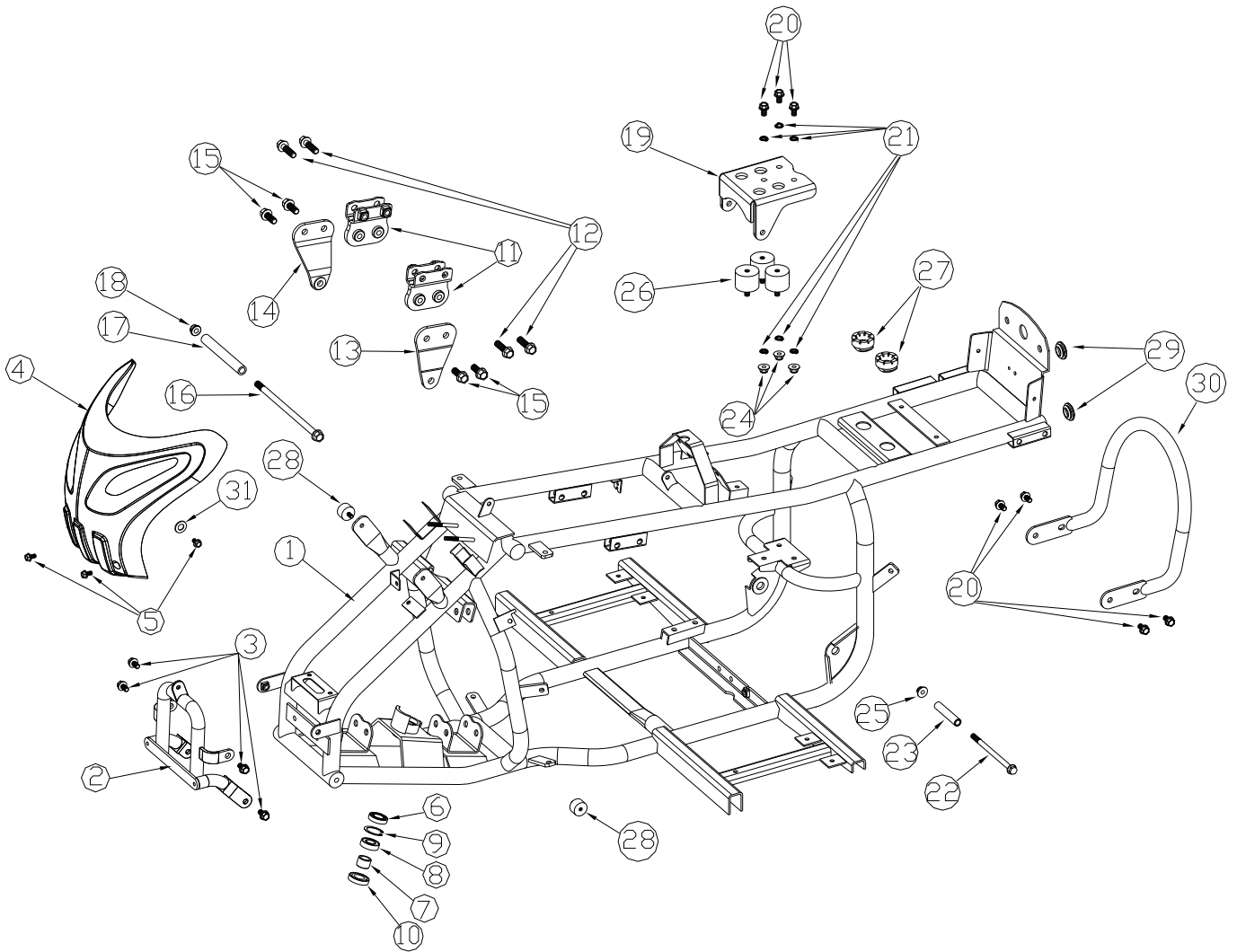
PROTECTO



F1

FRAME

ATV-150



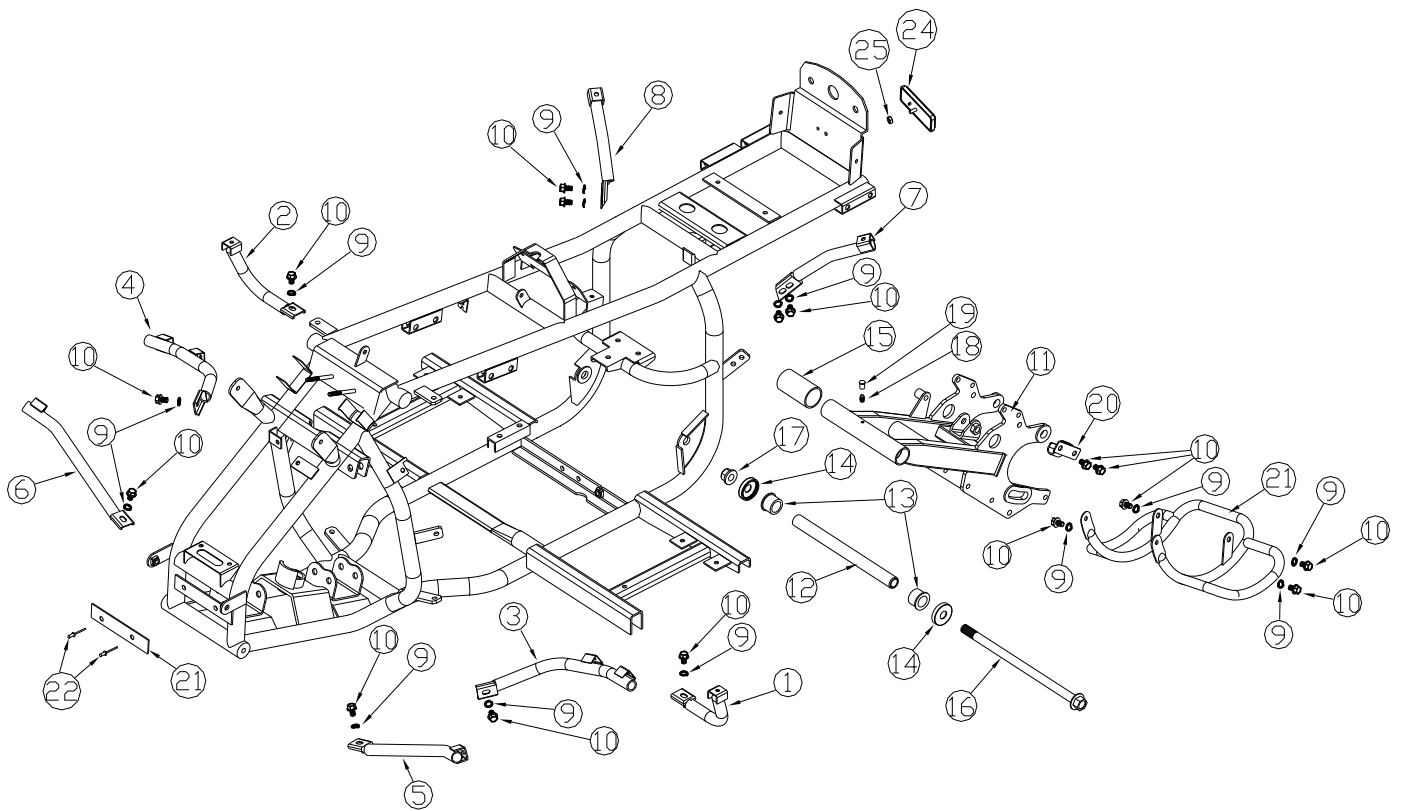
F1**FRAME**

ITEM	PARTS NO.	DESCRIPTION	REQD. NO.	REMARK
			ATV-150	
1	A09-41110-20-00	FRAME COMP	1	
2	A01-42151-00-00	FRONT FENDER ROD	1	
3	S-5800-08016-02	FLANGE BOLT 8X16	4	
4	A01-63641-00-00	FRONT BUMPER	1	
5	S-5800-06012-02	FLANGE BOLT 6X12	3	
6	S-1201-18032-70	OIL SEAL 18X32X7	1	
7	B11-45446-00-00	COLLAR	1	
8	S-6123-06002-20	BEARING 6002 ZZ	1	
9	S-4521-12320-00	CIR-CLIP 32MM	1	
10	S-1201-22035-70	OIL SEAL 22X35X7	1	
11	A09-42142-00-00	ENG. HANGER BRKT,1	2	
12	S-5800-10035-02	FLANGE BOLT 10X35	4	
13	A09-42152-00-00	ENG. HANGER BRKT,2	1	
14	A09-42162-00-00	ENG. HANGER BRKT,3	1	
15	S-5800-10025-02	FLANGE BOLT 10X25	4	
16	A01-42181-00-00	E/G MOUNTING BOLT	1	
17	A01-48644-00-00	SLEEVE	1	
18	S-4061-10000-03	FLANGE U NUT M10	1	
19	A09-42182-00-00	ENG. HANGER BRKT,4	1	
20	S-5800-08014-02	FLANGE BOLT 8X14	7	
21	S-4111-08145-33	SPRING WASHER	6	
22	A09-42191-00-00	E/G MOUNTING BOLT	1	
23	A09-48645-00-00	SLEEVE	1	
24	S-4050-08000-13	FLANGE NUT M8	3	
25	S-4051-08000-02	FLANGE U NUT M8	1	
26	A09-48665-00-00	DAMPER	3	
27	B11-42146-00-00	RUBBER	2	
28	81H-06914-00-00	DAMPER	2	
29	81A-07111-20-00	DAMPER	2	
30	A09-67511-00-00	RR. GRIP	1	
31	S-4101-06193-00	WASHER	1	

F1

FRAME

ATV-150



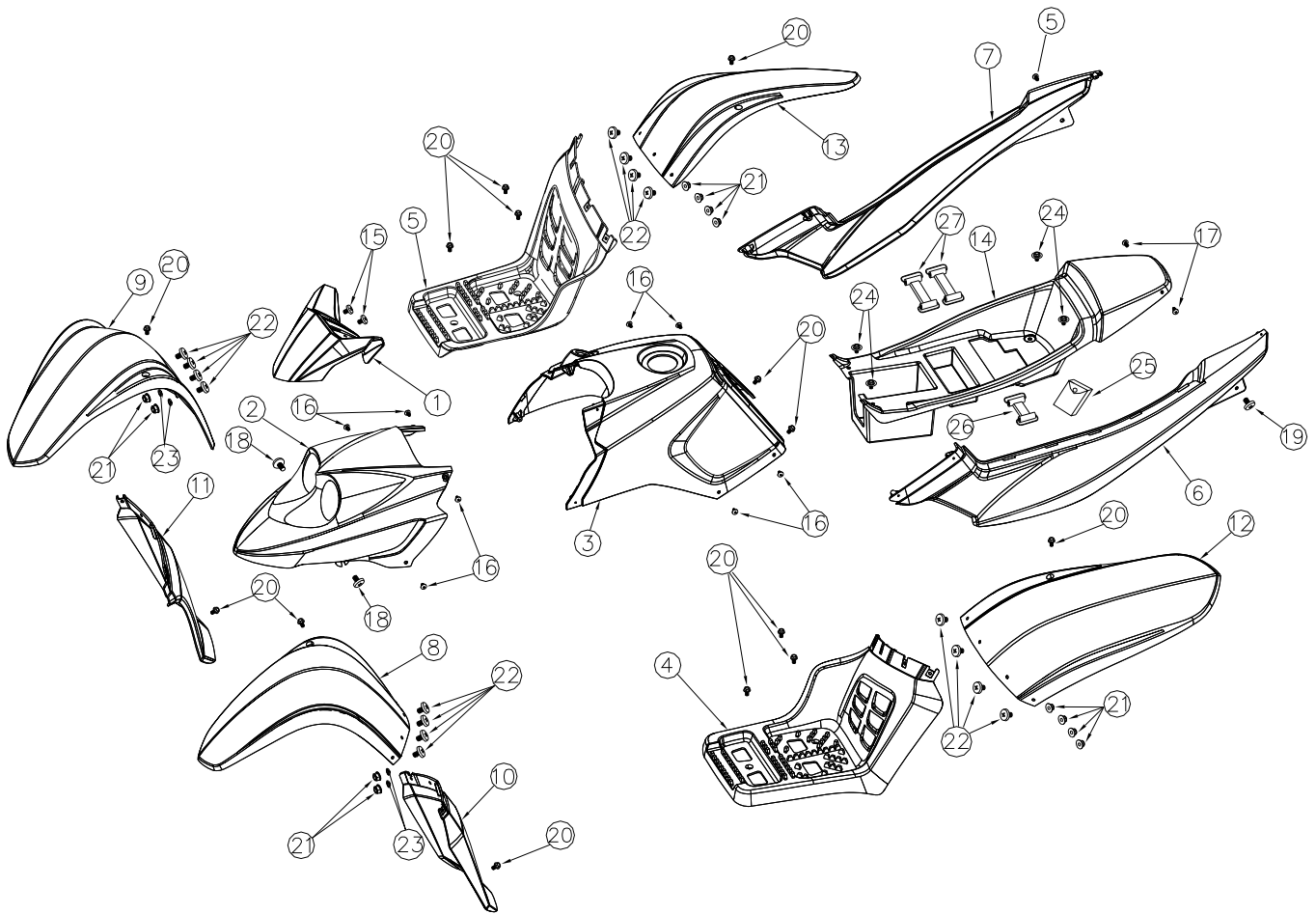
F1**FRAME**

ITEM	PARTS NO.	DESCRIPTION	REQD. NO.	REMARK
			ATV-150	
1	A09-64123-00-00	FRONT FENDER BRACKER,1	1	
2	A09-64133-00-00	FRONT FENDER BRACKER,2	1	
3	A09-64143-00-00	FRONT FENDER BRACKER,3	1	
4	A09-64153-00-00	FRONT FENDER BRACKER,4	1	
5	A09-64163-00-00	FRONT FENDER BRACKER,5	1	
6	A09-64173-00-00	FRONT FENDER BRACKER,6	1	
7	A09-64261-00-00	REAR FENDER BRACKER,1	1	
8	A09-64271-00-00	REAR FENDER BRACKER,2	1	
9	S-4111-08155-31	SPRING WASHER	14	
10	S-5800-08012-02	FLANGE BOLT 8X12	16	
11	A09-48110-00-00	REAR FORK COMP.	1	
12	T58-48151-00-00	REAR FORK SPACER SLEEVE	1	
13	B11-48155-00-00	BUSHING CONTAIN OIL	2	
14	B11-48165-00-00	REAR FORK SEAL COVER	2	
15	B11-48175-00-00	RUBBER SLEEVE	1	
16	A01-48161-00-00	REAR FORK SET BOLT	1	
17	S-4061-14000-01	FLANGE U NUT M14	1	
18	B11-47367-00-00	GREASE VALVE	1	
19	B11-47368-00-00	GREASE VALVE CAP	1	
20	T58-45375-00-00	BRACKET	1	
21	A09-46443-00-00	REAR BRAKE STAY	1	
22	A04-42115-00-00	FRONT BODY NO. PLATE	1	
23	T01-42117-00-00	BLIND PIVETS	2	
24	T01-25427-00-00	RR. REFLECTOR	1	
25	S-4002-05000-02	U NUT M5	1	

F2

SIDE COVER

ATV-150



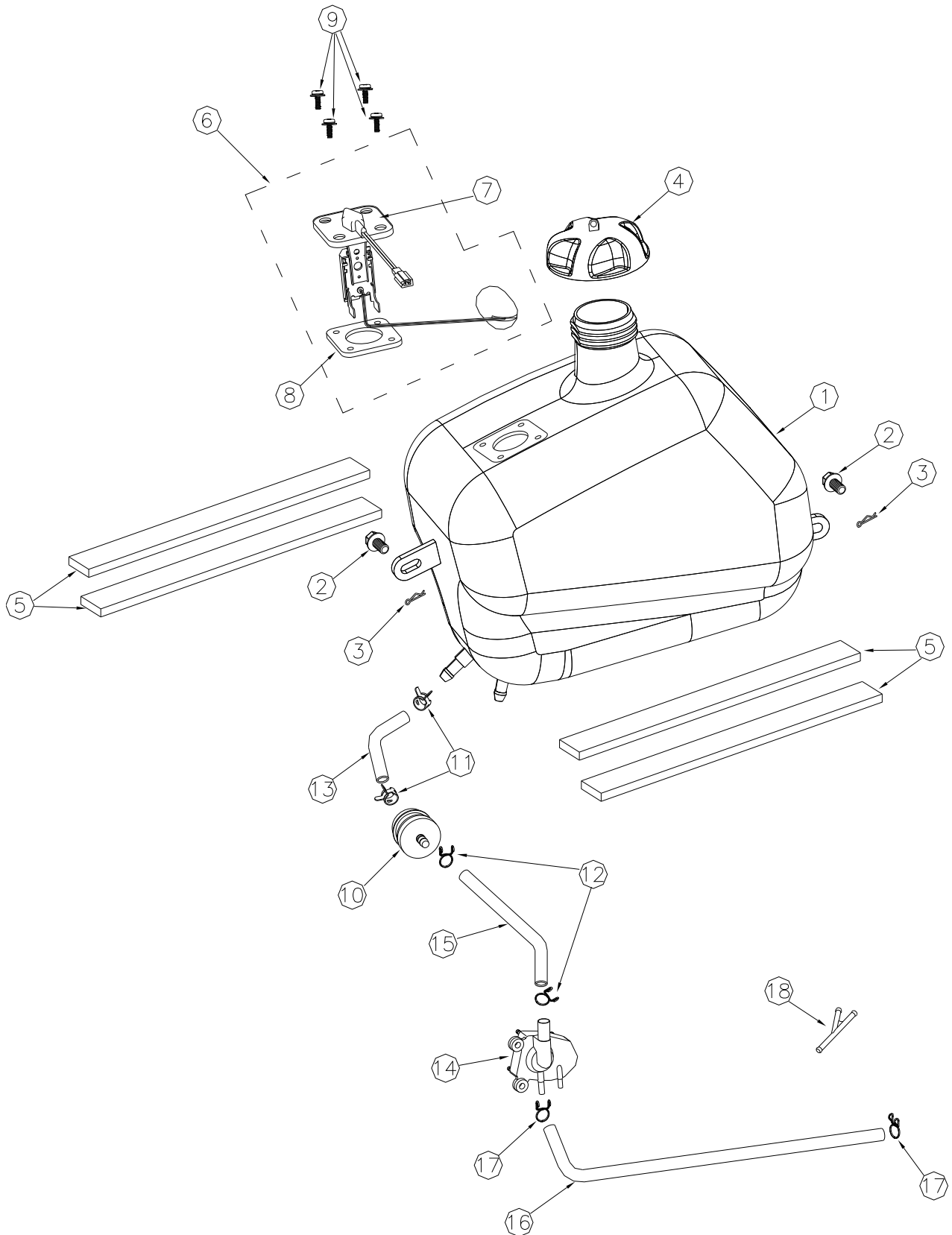
F2**SIDE COVER**

ITEM	PARTS NO.	DESCRIPTION	REQD. NO.	REMARK
			ATV150	
1	A06-62316-0R-**	METER VISOR	1	
2	A06-63111-0R-**	LEG SHIELD,1	1	
3	A01-63121-0R-**	LEG SHIELD,2	1	
4	A01-63411-00-00	FLOOR,1	1	
5	A01-63421-00-00	FLOOR,2	1	
6	A01-63511-0R-**	SIDE COVER,1	1	
7	A01-63521-0R-**	SIDE COVER,2	1	
8	A01-64111-0R-**	FRONT FENDER,1	1	
9	A01-64121-0R-**	FRONT FENDER,2	1	
10	A01-64131-00-00	FRONT FENDER,3	1	
11	A01-64141-00-00	FRONT FENDER,4	1	
12	A01-64211-0R-**	REAR FENDER,1	1	
13	A01-64221-0R-**	REAR FENDER,2	1	
14	A01-68111-0R-**	LUGGAGE BOX	1	
15	S-3541-06016-77	BOLT	2	
16	S-3900-05012-04	SCREW TAPPING M5X12	8	
17	S-3900-05016-04	SCREW TAPPING M5X16	2	
18	S-3530-06006-02	PAN HEAD SEREW 6X6	2	
19	S-3530-06010-02	PAN HEAD SEREW 6X10	2	
20	S-5800-06012-02	FLANGE BOLT 6X12	14	
21	S-4050-06000-04	FLANGE NUT	12	
22	S-3530-06018-77	PAN HEAD SEREW 6X18	16	
23	T35-25656-00-00	DAMPER	4	
24	S-3404-06012-03	HEXAGON HEAD SCREWS WITH WASHER	4	
25	B03-71110-00-00	TOOL KIT	1	
26	A01-42164-00-00	RUBBER	1	
27	A01-42165-00-00	RUBBER	2	

F3

FUEL TANK

ATV-150



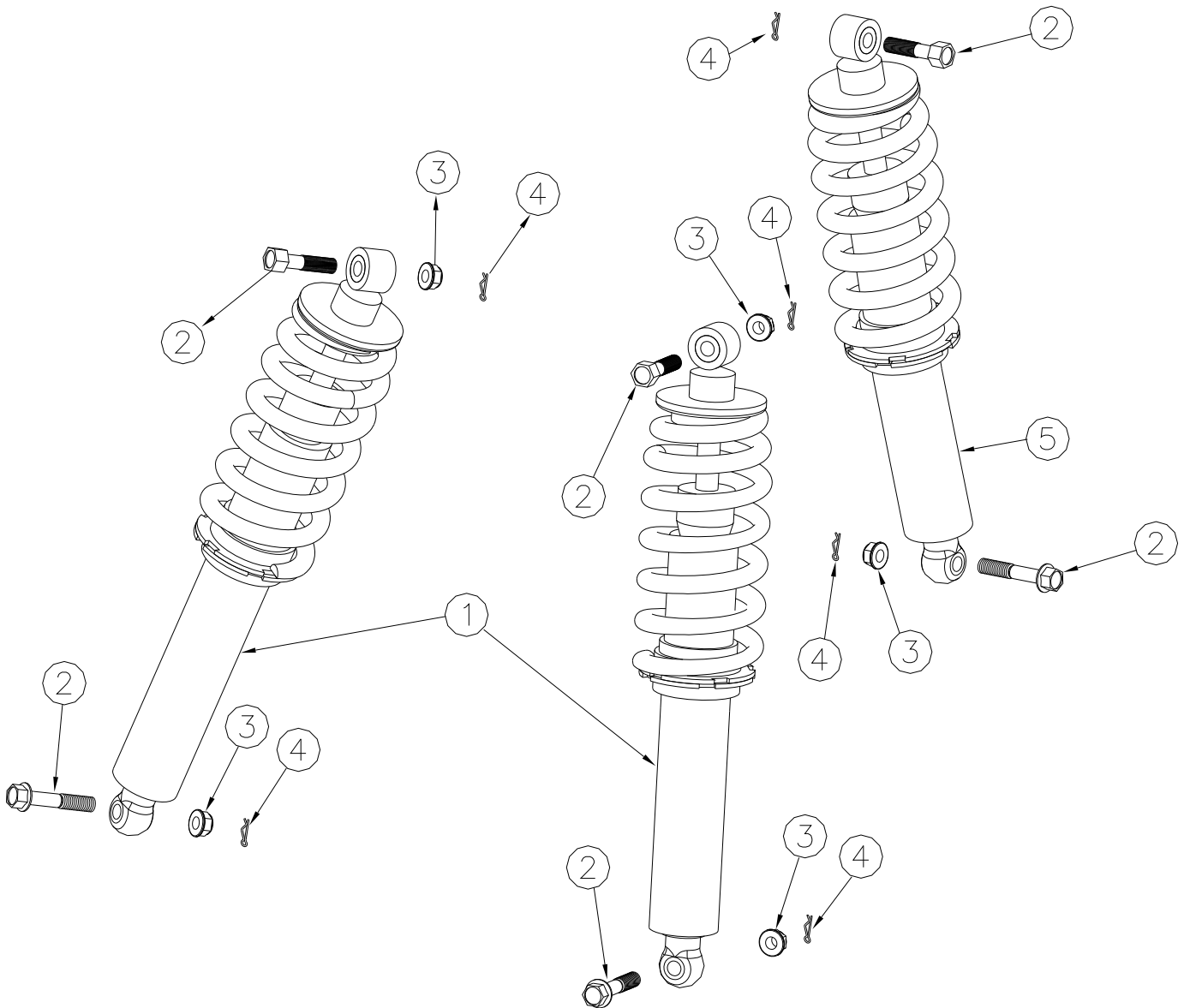
F3**FUEL TANK**

ITEM	PARTS NO.	DESCRIPTION	REQD. NO.	REMARK
			ATV-150	
1	A01-52110-00-00	FUEL TANK COMP.	1	
2	T36-52027-00-00	BOLT	2	
3	S-4251-12221-00	SPLIT PIN 1.2X22	2	
4	A01-52211-00-00	FUEL TANK CAP COMP.	1	
5	A01-42156-00-00	DAMPER,1	4	
6	A01-52510-00-00	SENDER UNIT ASSY.	1	
7	A01-52511-00-00	SENER UNIT	1	
8	A01-52551-00-00	GASKET	1	
9	S-3891-05012-02	BOLT 5X12	4	
10	B11-52410-00-00	FUEL FILTER ASSY.	1	
11	A-4204-08120-00	TUBE CLIP B 12MM	2	
12	A-4202-08090-00	CLIP	2	
13	A01-52371-00-00	FUEL HOSE,1	1	
14	A01-52310-00-00	FUEL COCK ASSY.	1	
15	A01-52372-00-00	FUEL HOSE,2	1	
16	A01-52373-00-00	FUEL HOSE,3	1	
17	A-4202-12900-00	CLIP	2	
18	81A-52382-00-00	JOINT	1	

F4

FRONT/REAR SHOCK ABSORBER

ATV-150



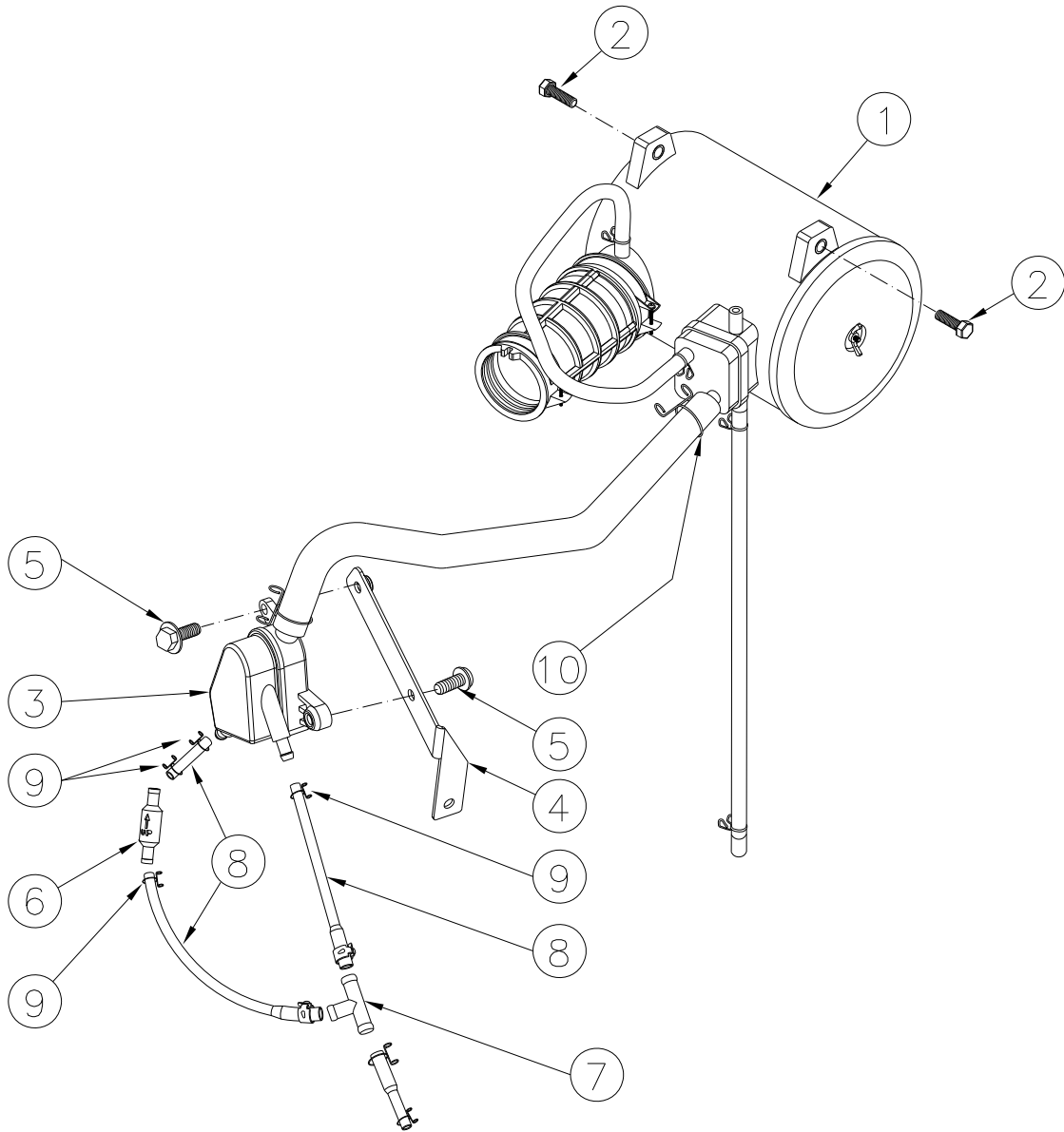
F4**FRONT/REAR SHOCK
ABSORBER**

ITEM	PARTS NO.	DESCRIPTION	REQD. NO.	REMARK
			ATV-150	
1	A01-47210-10-00	FR. SHOCK ABSORBER ASSY	2	
2	S-5827-10040-04	BOLT W/HOLE 10X40	6	
3	S-4061-10000-03	FLANGE U NUT M10	5	
4	S-4251-12221-00	SPLIT PIN 1.2X22	6	
5	A09-48210-00-00	RR. SHOCK ABSORBER ASSY.	1	

F5

AIR CLEANER

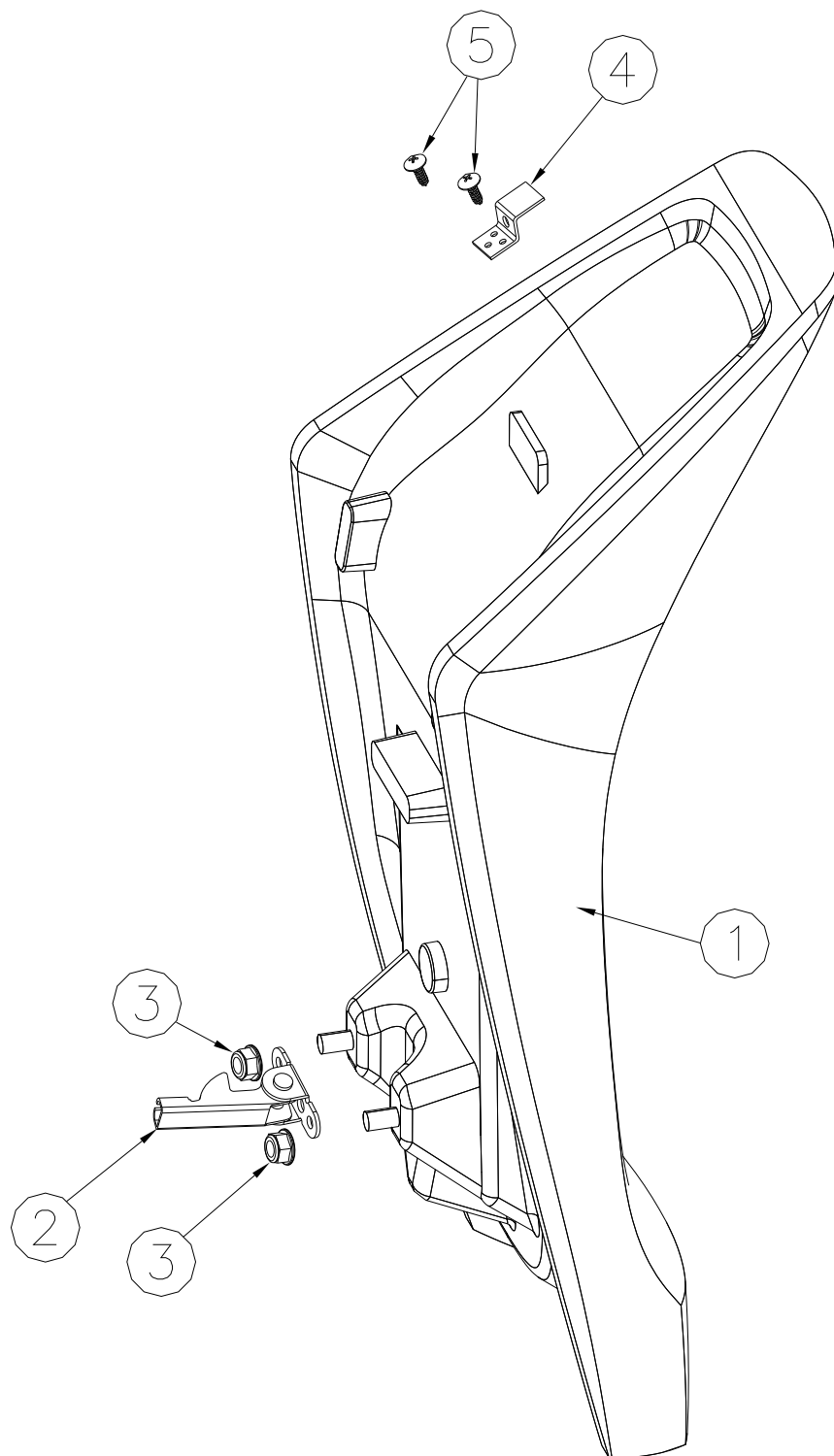
ATV-150



F5**AIR CLEANER**

ITEM	PARTS NO.	DESCRIPTION	REQD. NO.	REMARK
			ATV-150	
1	A09-09110-00-00	AIR CLEANER ASSY	1	
2	S-2000-06020-02	HEX. BOLT 6X20	2	
3	A09-52720-00-00	OIL FILTER	1	
4	A09-42124-00-00	STAY	1	
5	S-5800-06012-02	FLANGE BOLT 6X12	2	
6	D06-52055-00-00	ONE WAY VALVE	1	
7	A09-52731-00-00	THREE UNOBSTRUCTED TUBE	1	
8	81E-02313-20-00	BREATHER TUBE ASSY	2	
9	A-4202-12900-00	CLIP	4	
1 0	A-4201-10120-00	CLIP	1	

F6	SEAT	ATV-150
-----------	-------------	----------------



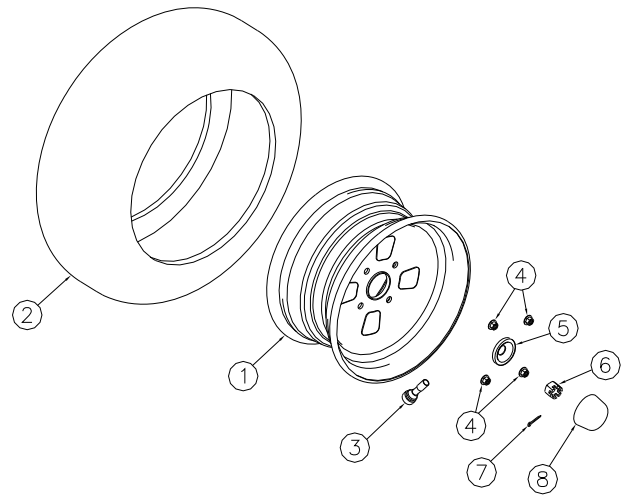
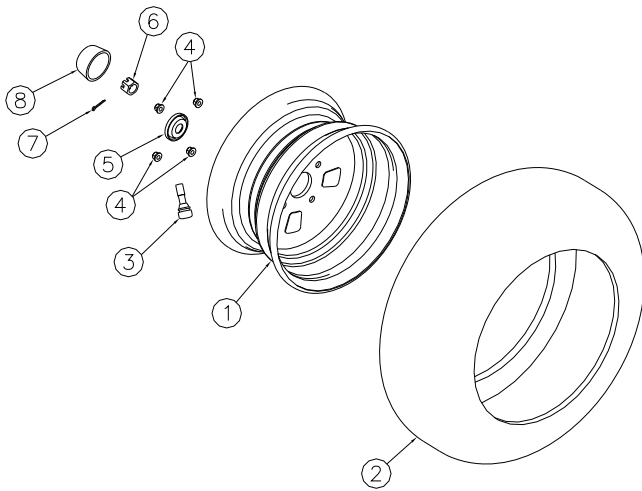
F6**SEAT**

ITEM	PARTS NO.	DESCRIPTION	REQD. NO.	REMARK
			ATV-150	
1	A01-66111-00-00	DOUBLE SEAT ASSY.	1	
2	B11-66131-00-00	SEAT CATCH COMP.	1	
3	S-4050-06000-01	NUT FLANGE M6	2	
4	B11-66162-00-00	BRACKET	1	
5	S-3900-04012-04	TAPPING SCREW 4*12	2	

F7

FRONT WHEEL

ATV-150



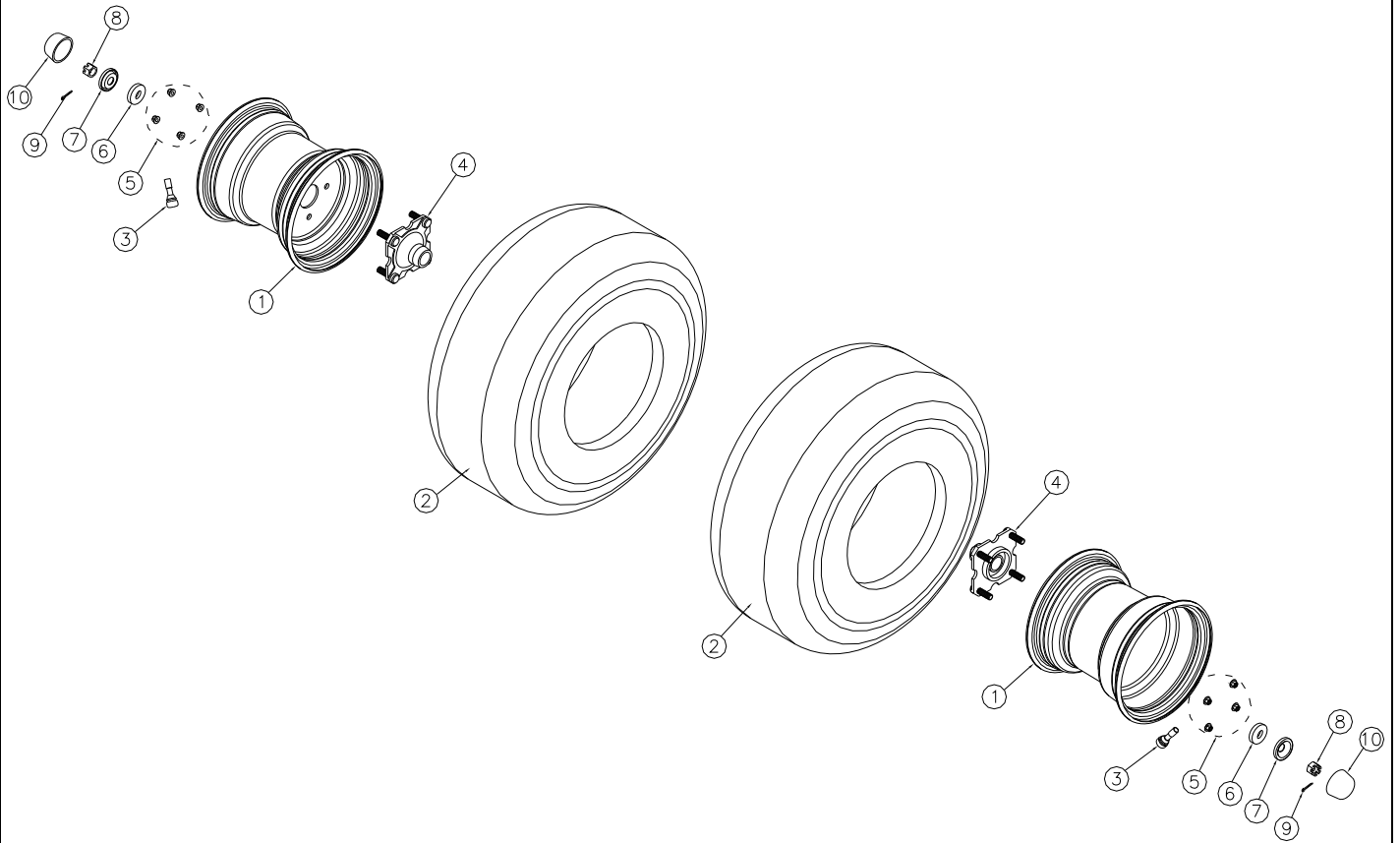
F7**FRONT WHEEL**

ITEM	PARTS NO.	DESCRIPTION	REQD. NO.	REMARK
			ATV-150	
1	A01-43210-00-78	WHEEL COMP.	2	
2	A01-43311-00-00	TIRE	2	
3	B11-43322-00-00	RIM VALVE	2	
4	S-4061-10000-03	FLANGE U NUT M10	8	
5	A09-43256-00-00	WASHER	2	
6	F01-44266-00-00	CASTLE NUT	2	
7	S-4201-22305-03	SPLIT PIN 2.2X30.5	2	
8	B11-43268-00-00	RUBBER CAP	2	

F8

REAR WHEEL

ATV-150



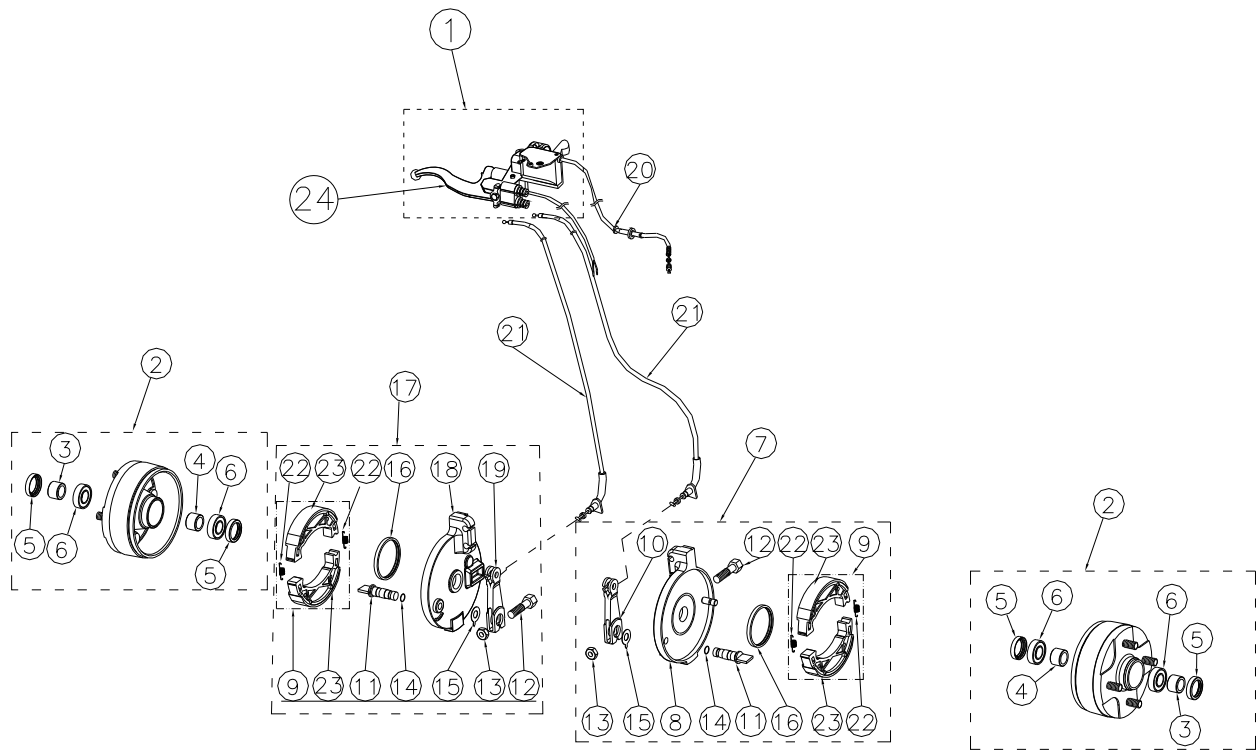
F8**REAR WHEEL**

ITEM	PARTS NO.	DESCRIPTION	REQD. NO.	REMARK
			ATV-150	
1	A01-44210-00-78	WHEEL COMP.	2	
2	A01-44311-00-00	TIRE	2	
3	B11-43322-00-00	RIM VALVE	2	
4	A01-44223-00-00	REARWHEEL CONNECTER	2	
5	S-4061-10000-03	FLANGE NUT	8	
6	B11-44256-00-01	WASHER	2	
7	A09-43256-00-00	WASHER	2	
8	F01-44266-00-00	CASTLE NUT	2	
9	S-4201-22305-03	SPLIT PIN 2.2X30.5	2	
10	B11-43268-00-00	RUBBER CAP	2	

F9

FRONT BRAKE

ATV-150



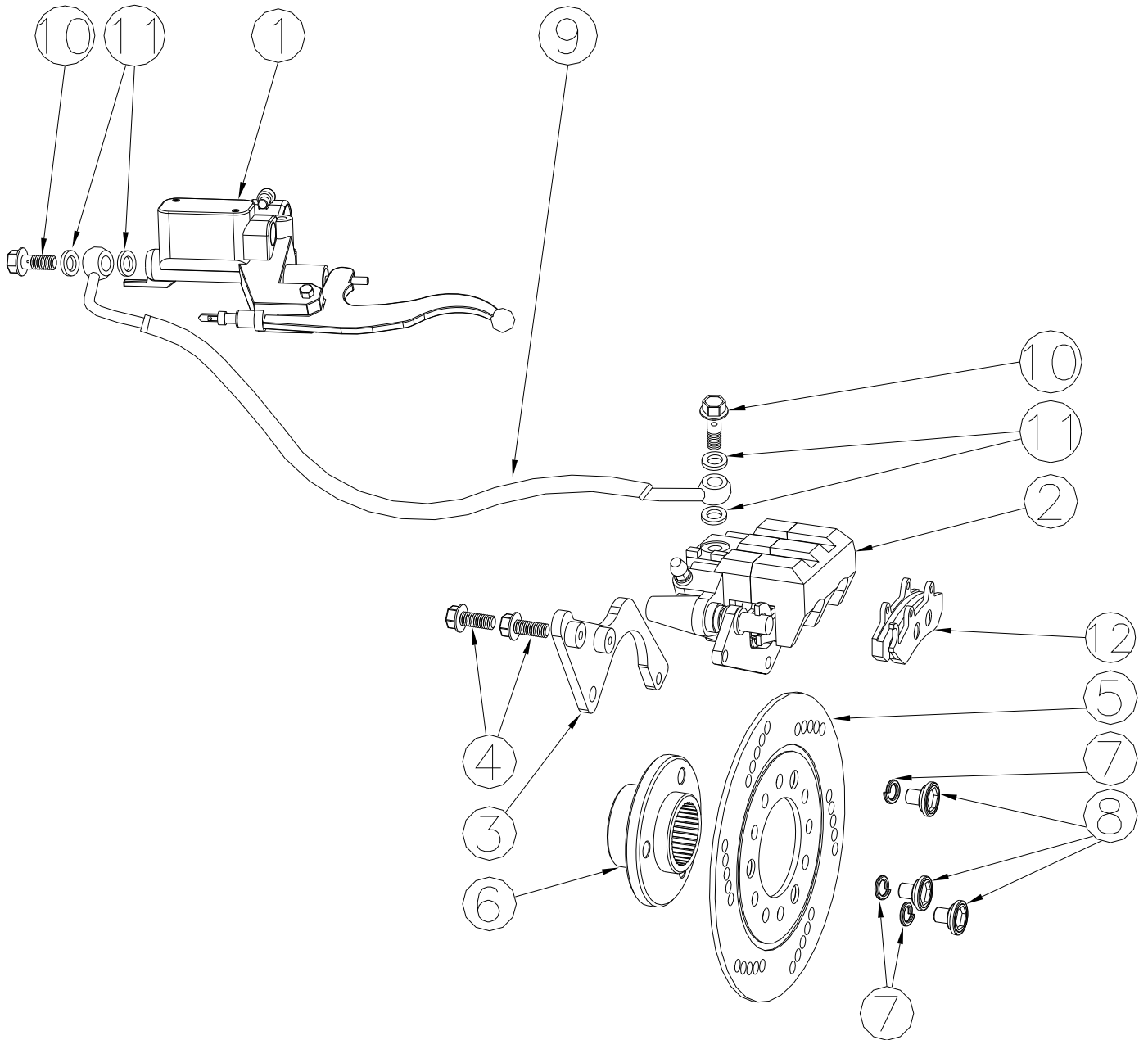
F9**FRONT BRAKE**

ITEM	PARTS NO.	DESCRIPTION	REQD. NO.	REMARK
			ATV-150	
1	F01-27850-00-00	LEVEL ASSY, RIGHT	1	
2	A01-45442-00-00	FRONT BRAKE DROM	2	
3	A01-45456-00-00	COLLAR	2	
4	A01-45446-00-00	COLLAR	2	
5	S-1201-23035-60	OIL SEAL	4	
6	S-6120-06003-10	BALL BEARING 6003Z	4	
7	A01-45440-20-00	FRONT BRAKE PANEL ASSY.LEFT	1	
8	T58-45441-20-00	FRONT BRAKE PANEL COMP,LEFT	1	
9	T01-46420-00-00	BRAKE SHOE KIT ASSY.	4	
10	A01-45611-00-00	CAM SHAFT LEVER,1	1	
11	A01-45621-00-00	CAM SHAFT,1	2	
12	S-2201-06030-01	HEX BOLT 6X30	2	
13	S-4001-06000-01	HEX NUT 6MM	2	
14	S-1301-02012-00	O-RING	2	
15	B01-46631-00-00	INDICATOR PLATE	2	
16	S-1201-52040-60	OIL SEAL 52X40X6	2	
17	A01-45450-20-00	FRONT BRAKE PANEL ASSY.LRIGHT	1	
18	T58-45451-20-00	FRONT BRAKE PANEL COMP.LRIGHT	1	
19	A01-45612-00-00	CAM SHAFT LEVER, 2	1	
20	A01-58410-00-00	THROTTLE CABLE ASSY.	1	
21	A01-58111-20-00	FRONT CABLE	2	
22	B01-46461-00-00	SPRING	4	
23	T01-46421-00-00	BRAKE SHOE KIT	4	
24	F01-27860-00-00	R LEVER	1	

F10

REAR BRAKE

ATV-150



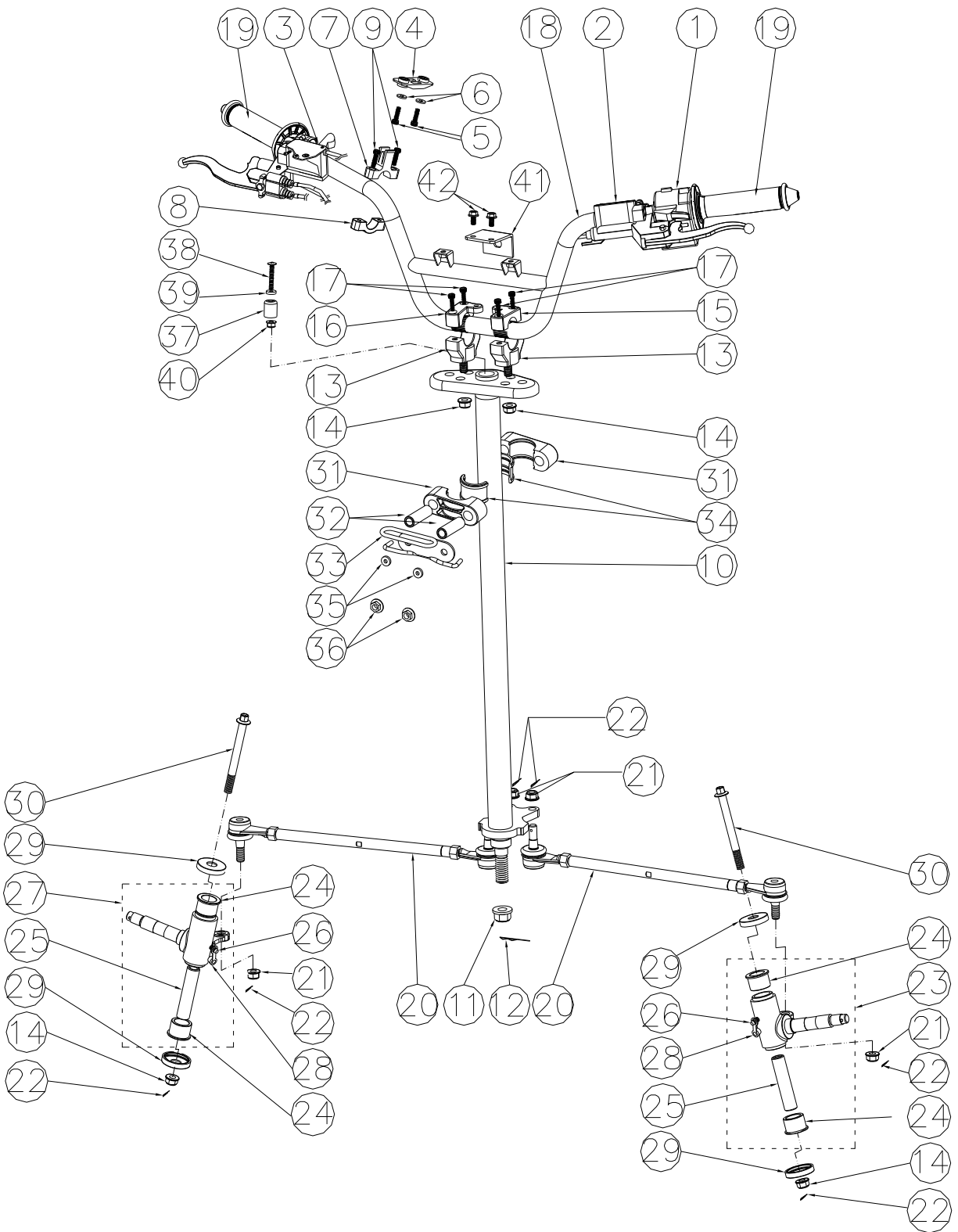
F10**REAR BRAKE**

ITEM	PARTS NO.	DESCRIPTION	REQD. NO.	REMARK
			ATV-150	
1	T36-45100-00-00	MASTER CYLINDER ASSY,1	1	
2	T58-45200-00-00	CALIPER ASSY	1	
3	T58-45235-00-00	CALIPER STAY	1	
4	S-5800-08020-04	FLANGE BOLT 8X20	2	
5	T58-45251-00-00	BRAKE DISK	1	
6	T58-45255-00-00	BRAKE DISK STAY	1	
7	S-4111-10186-31	SPRING WASHER	3	
8	T58-45276-00-00	BOLT M10	3	
9	F02-45310-00-00	BRAKE CABLE	1	
10	B01-45185-00-00	BOLT	2	
11	S-4101-10143-50	WASHER	4	
12	T58-45230-00-00	BRAKE PAD KIT	1	

F11

HANDLE BAR

ATV-150



F11**HANDLE BAR**

ITEM	PARTS NO.	DESCRIPTION	REQD. NO.	REMARK
			ATV-150	
1	A01-27700-00-00	LEFT HANDLE SWITCH ASSY	1	
2	T36-45100-00-00	MASTER CYLINDER ASSY,1	1	
3	F01-27850-00-00	LEVEL ASSY ,RIGHT	1	
4	T38-24136-00-00	SPEEDO METER HOLD,1	1	
5	S-6700-05018-02	SOCKET BOLT 5X18	2	
6	S-4101-05133-22	PLAIN WASHER	2	
7	T38-24137-00-00	SPEEDO METER HOLD,2	1	
8	T38-24138-00-00	SPEEDO METER HOLD,3	1	
9	S-6700-05012-02	SOCKET BOLT 5X12	2	
10	A01-62140-00-00	SHAFT. STEERING	1	
11	S-4061-14000-01	NUT M14	1	
12	S-4201-22305-03	SPLIT PIN 2.2X30.5	1	
13	B11-62222-00-00	HANDLE HOLDER ASSY.	2	
14	S-4061-10000-03	NUT LICK M10	4	
15	B11-62225-00-00	HANDLE HOLDER COVER,1	1	
16	B11-62235-00-00	HANDLE HOLDER COVER,2	1	
17	S-6700-06025-03	SOCKET BOLT 6X25	4	
18	A06-62110-00-00	HANDLE COMP.	1	
19	T36-62251-00-00	GRIP	2	
20	A01-62143-00-00	STEERING TIEROD ASSY.	2	
21	S-4060-10000-03	NUT FLANGE M10	4	
22	S-4251-12221-00	SPLIT PIN 1.2X22	6	
23	A09-62144-00-00	KNUCKLE,1	1	
24	A01-62165-00-00	BUSHING CONTAIN OIL,3	4	
25	A01-62166-00-00	COLLAR	2	
26	B11-47367-00-00	GREASE VALVE	2	
27	A09-62154-00-00	KNUCKLE,2	1	
28	B11-47368-00-00	GREASE VALVE CAP	2	
29	A01-62167-00-00	DUST SEAL	4	
30	S-5801-10105-02	BOLT FLANGE 10*105	2	
31	T86-62146-00-00	HOLDER STEERING SHAFT	2	
32	A10-62147-10-00	HOLDER STEERING SHAFT COLLAR	2	

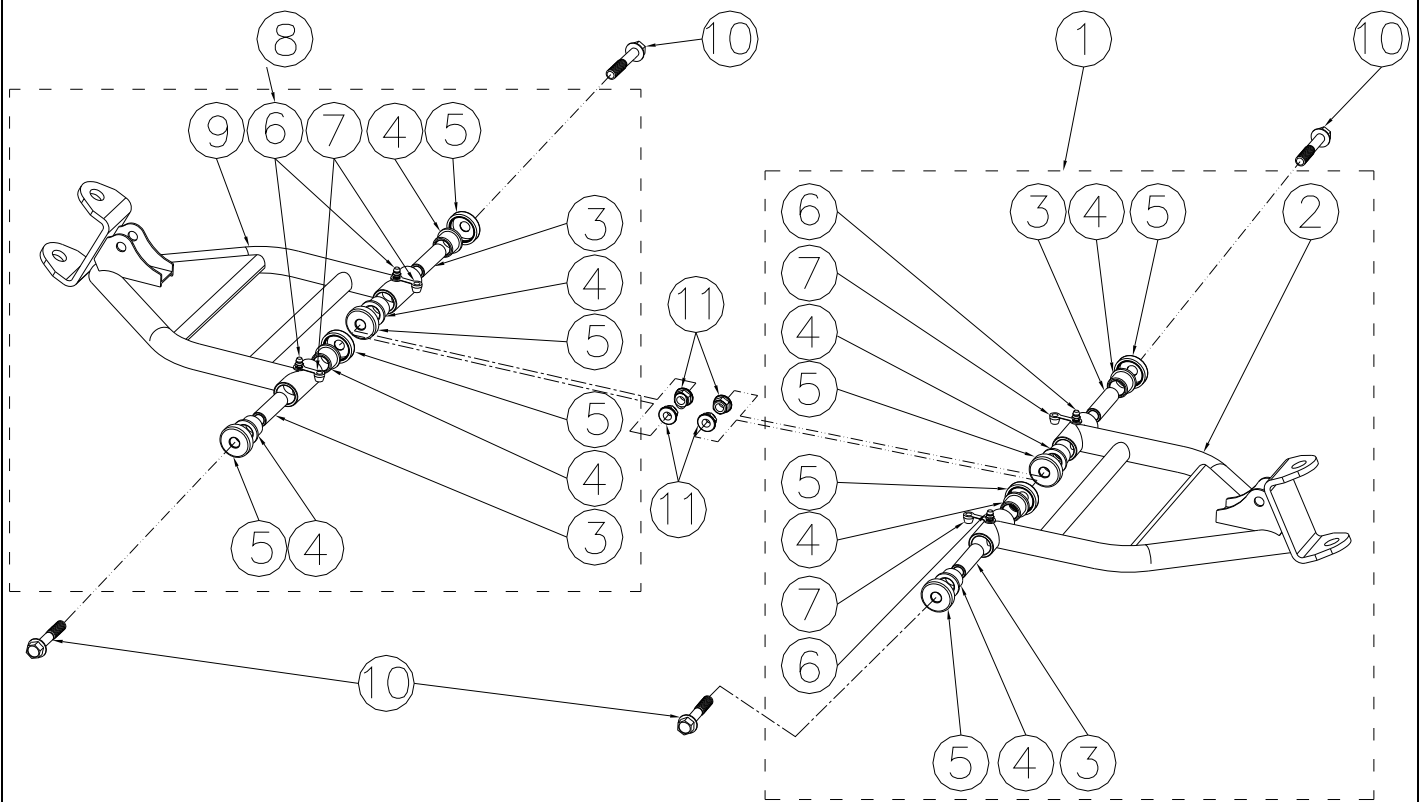
F11***HANDLE BAR***

33	A01-58293-00-00	HOLDER	1	
34	T86-62142-00-00	DUST SEAL	2	
35	S-4101-08143-50	WASHER	2	
36	S-4051-08000-03	NUT LICK M8	2	
37	B22-62227-00-00	PUSH	1	
38	S-3501-06035-02	BOLT	1	
39	S-4101-06193-00	WASHER	1	
40	S-4050-06000-02	NUT	1	
41	A09-42125-00-00	HOLDER	1	
42	S-5800-06012-02	FLANGE BOLT 6*12	2	

F12

FRONT SWING ARM

ATV-150



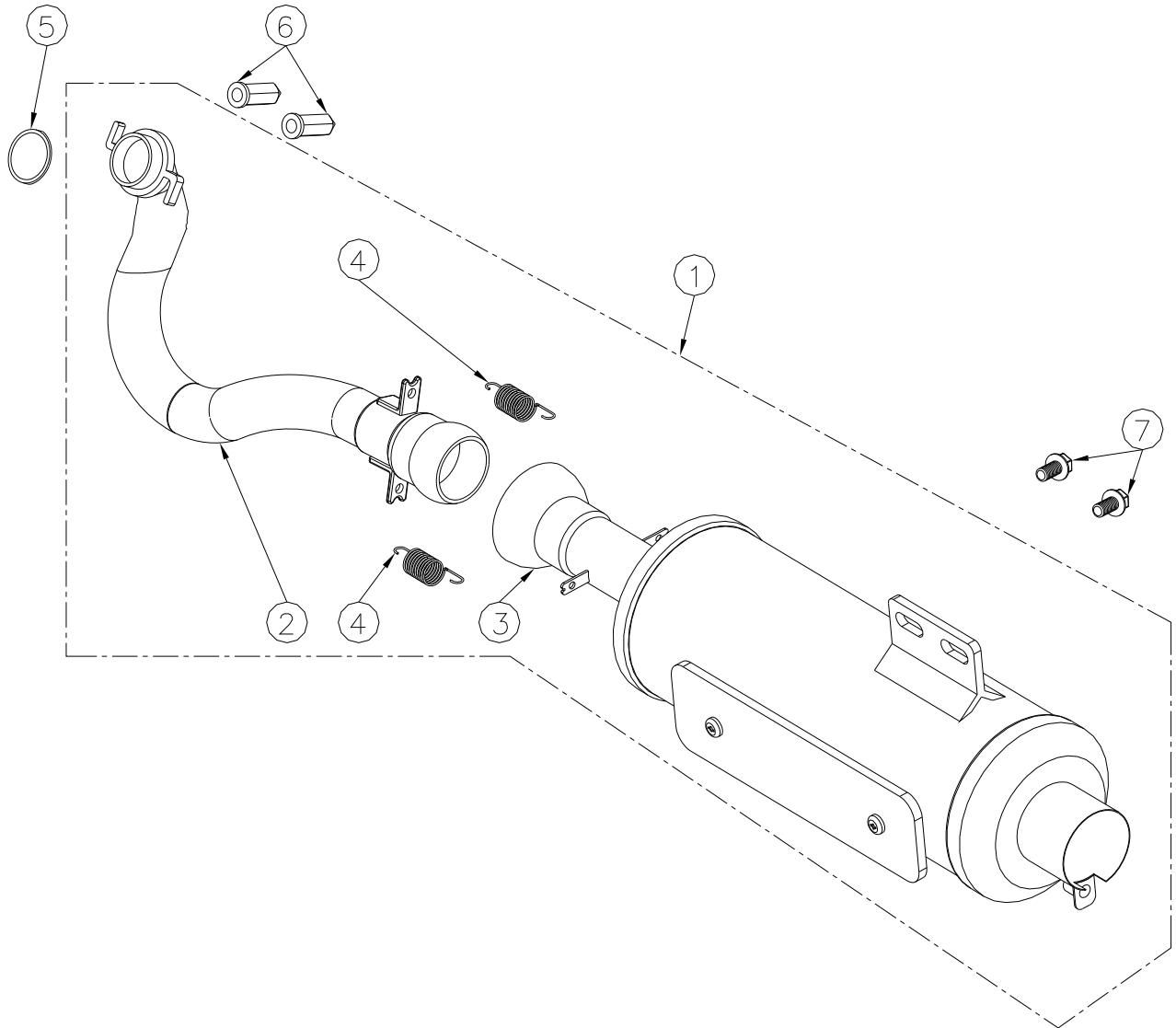
F12**FRONT SWING ARM**

ITEM	PARTS NO.	DESCRIPTION	REQD. NO.	REMARK
			ATV-150	
1	A01-47310-00-00	FRONT SWING ARM ASSY,1	1	
2	A01-47311-00-00	FRONT SWING ARM,1	1	
3	A01-47337-00-00	COLLAR	4	
4	A01-47357-00-00	BUSH COUNTAIN OIL,1	8	
5	A01-47336-00-00	DUST SEAL	8	
6	B11-47367-00-00	GREASE VALVE	4	
7	B11-47368-00-00	GREASE VALVE CAP	4	
8	A01-47320-00-00	FRONT SWING ARM ASSY,2	1	
9	A01-47321-00-00	FRONT SWING ARM,2	1	
10	S-5801-10080-02	BOLT FLANGE 10*80	4	
11	S-4061-10000-03	FLANGE U NUT M10	4	

F13

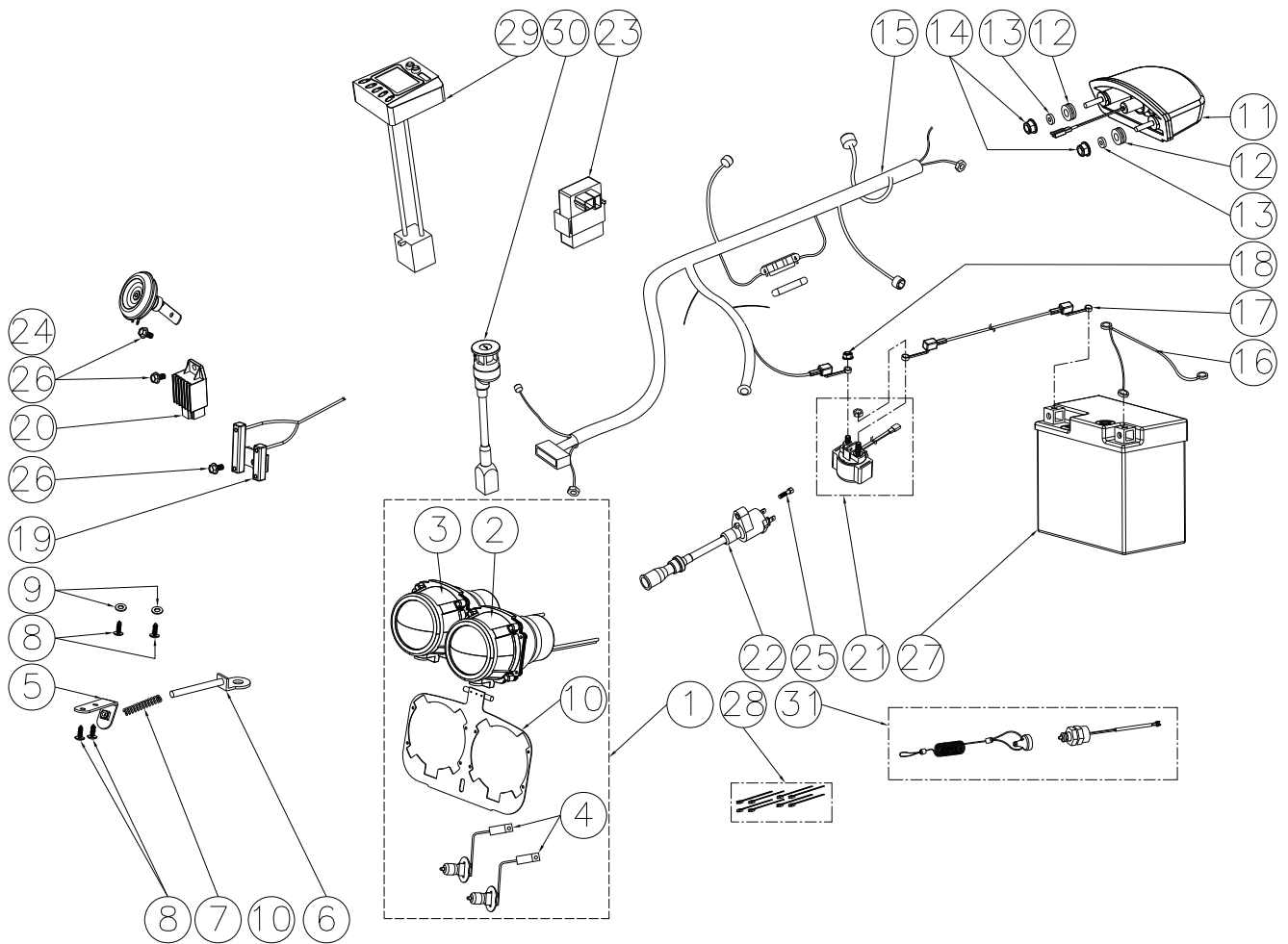
MUFFLER ASSY

ATV-150



F13**MUFFLER ASSY**

ITEM	PARTS NO.	DESCRIPTION	REQD. NO.	REMARK
			ATV-150	
1	A09-18200-00-00	EXHAUST PIPE ASSY.	1	
2	A09-18201-00-00	EXHAUST MANIFOLD	1	
3	A09-18211-00-00	MUFFLER	1	
4	A09-18137-00-00	SPRING	2	
5	B03-18131-00-00	EXHAUST PIPE GASKET	1	
6	B03-18138-00-00	NUT M6	2	
7	S-5800-08016-02	FLANGE BOLT 8X16	2	



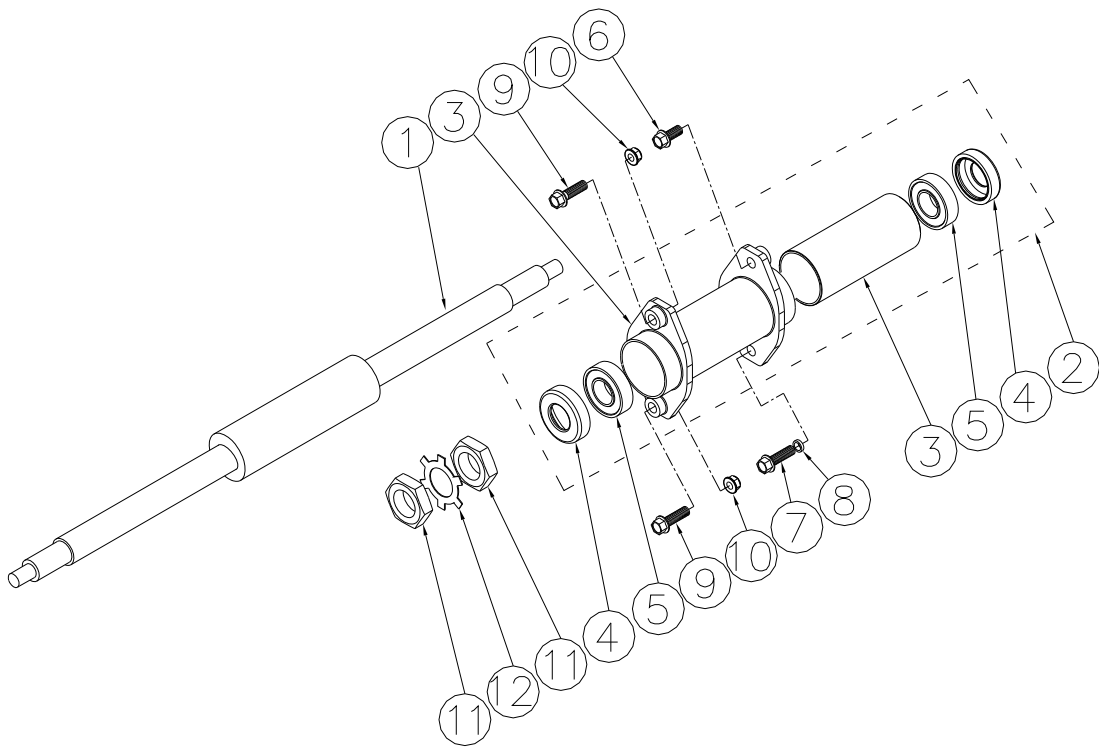
F14**ELECTRICAL PARTS**

ITEM	PARTS NO.	DESCRIPTION	REQD. NO.	REMARK
			ATV-150	
1	A09-25100-00-00	HEAD LIGHT ASSY	1	
2	A09-25111-00-00	HEAD LIGHT BASE,1	1	
3	A09-25191-00-00	HEAD LIGHT BASE,2	1	
4	B22-25153-00-00	BULB	2	
5	A06-25176-00-00	HEAD LIGHT STAY	1	
6	B11-46470-00-00	BOLT	1	
7	A06-25147-00-00	SPRING	1	
8	S-3900-05012-04	TAPPING SCREW M5X12	4	
9	S-4101-05164-24	WASHER	2	
10	A09-25177-00-00	BRACKET	1	
11	T36-25400-10-00	TAIL LIGHT ASSY	1	
12	B11-42158-00-00	DAMPER,3	2	
13	S-4101-06193-00	PLAIN WASHER	2	
14	S-4050-06000-01	NUT FLANGE M6	2	
15	A01-23610-00-00	WIRE HARNESS ASSY	2	
16	A01-23651-00-00	BATTERY CABLE	1	
17	A01-23661-00-00	EARTH CORD	1	
18	S-4001-06000-01	HEX. NUT M6	1	
19	B03-28410-00-00	RESISTOR COMP	1	
20	81A-21310-00-00	REG. REC. COMP	1	
21	81A-28310-00-00	START RELAY ASSY	1	
22	81E-23140-00-00	IGN. COIL ASSY	1	
23	81G-23110-00-00	C.D.I UNIT	1	
24	T01-28210-20-00	HORN	1	
25	S-2000-05020-01	FLANGE BOLT 5X20	1	
26	S-5800-06012-04	FLANGE BOLT 6X12	3	
27	A01-23410-00-00	BATTERY ASSY	1	
28	A-4402-02502-01	BAND	8	
29	A01-24110-00-00	SPEEDO METER ASSY	1	km
30	A06-56210-00-00	MAIN SWITCH ASSY.	1	

F15

REAR WHEEL AXLE

ATV-150



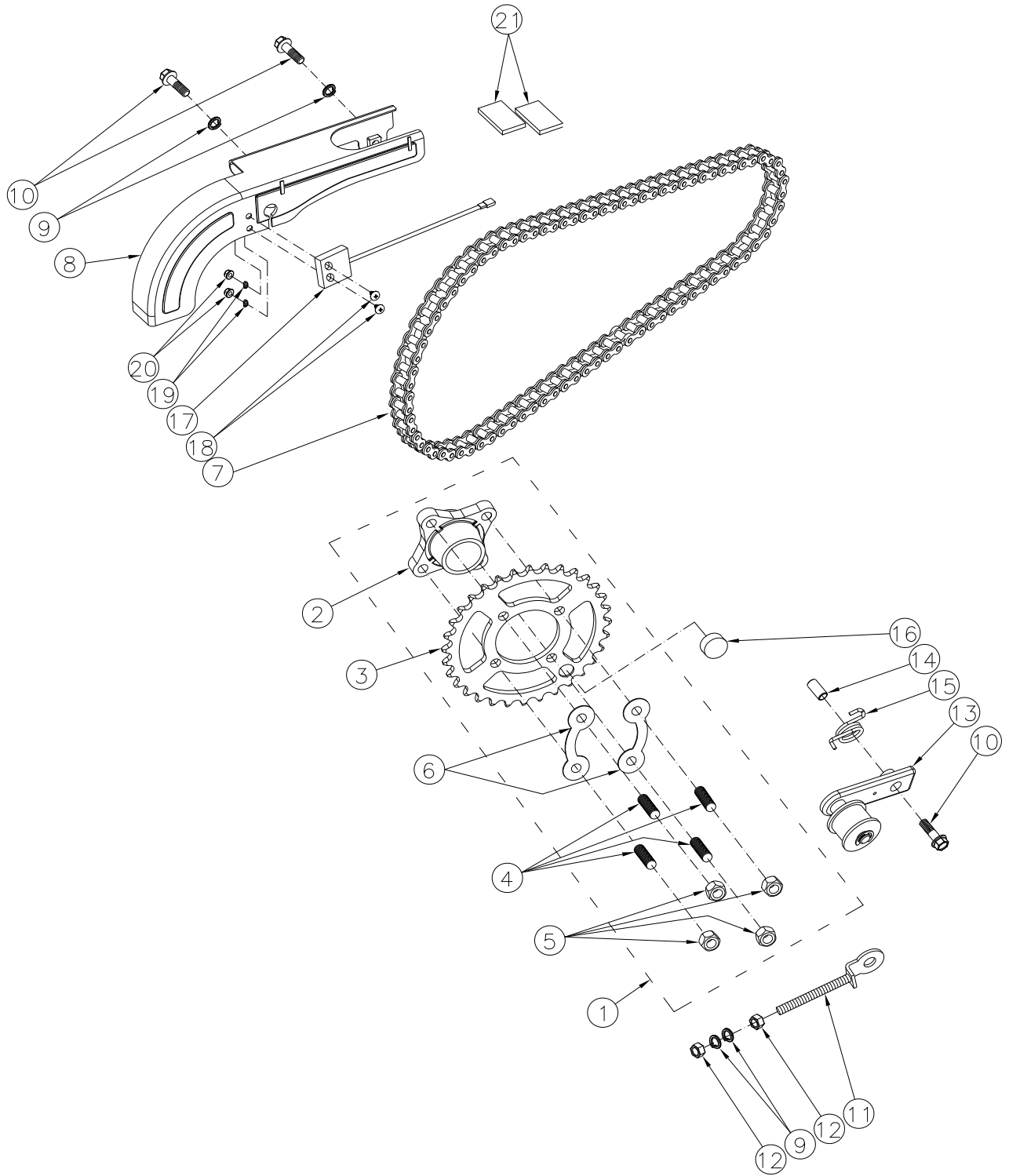
F15**REAR WHEEL AXLE**

ITEM	PARTS NO.	DESCRIPTION	REQD. NO.	REMARK
			ATV-150	
1	A01-44511-20-00	REAR WHEEL AXLE	1	
2	T58-44521-00-00	REAR WHEEL AXLE SEAT	1	
3	A01-44522-00-00	SPACER TUBE	1	
4	S-1201-42062-80	OIL SEAL	2	
5	S-6120-06007-20	BEARING 6007Z	2	
6	S-5800-12028-02	FLANGE BOLT 12X28	1	
7	S-5800-12040-02	FLANGE BOLT 12X40	1	
8	B11-44527-00-00	WASHER	1	
9	S-5800-12050-02	FLANGE BOLT 12X50	2	
10	S-4060-12000-03	NUT FLANGE M12	2	
11	A01-44518-00-00	NUT M33	2	
12	A06-44519-00-00	WASHER	1	
13	A01-56212-10-00	SAFETY SWITCH	1	
14	A01-24127-00-00	SPEEDO METER SENSOR,1	1	
15	T38-24128-00-00	SPEEDO METER SENSOR,2	1	
16	S-3892-03010-01	BOLT 3X10	2	
17	S-4111-04061-31	SPRING WASHER	2	

F16

SPROCKET

ATV-150



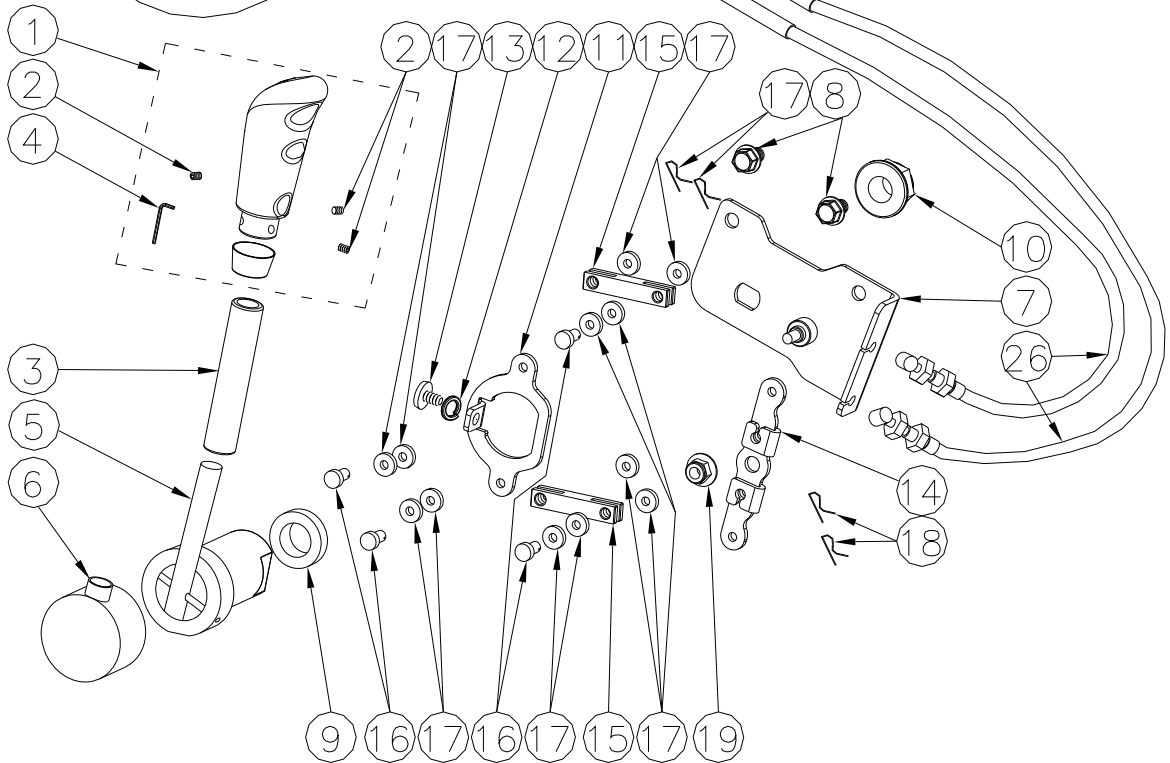
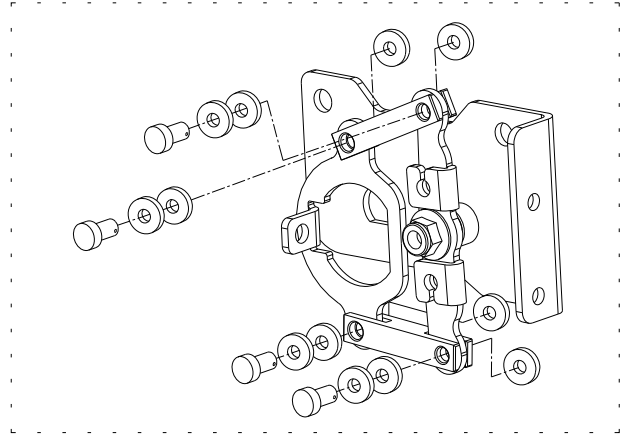
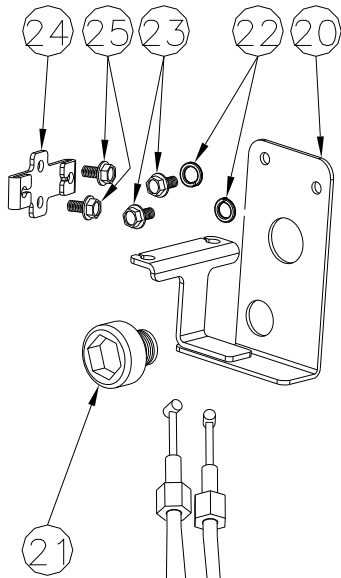
F16**SPROCKET**

ITEM	PARTS NO.	DESCRIPTION	REQD. NO.	REMARK
			ATV-150	
1	A01-16950-00-00	SPROCKET ASSY	1	
2	A01-16955-00-00	SPROCKET HOLDER	1	
3	A01-16930-00-00	SPROCKE	1	
4	A01-44254-00-00	BOLT	4	
5	S-4001-10000-01	NUT M10	4	
6	A01-44255-00-00	TONGUED WASHER	2	
7	A09-16960-00-00	DRIVE CHAIN	1	
8	A01-16941-00-00	CHAIN COVER	1	
9	S-4111-08155-31	SPRING WASHER	4	
10	S-5800-08030-02	FLANGE BOLT 8X30	3	
11	T58-46470-00-00	CHAIN ADJUSTER	1	
12	S-4001-08000-01	HEX. NUT M8	2	
13	A01-16940-00-00	CONDUIT SPROCKE ASSY	1	
14	B11-71146-00-00	COLLAR 10MM	1	
15	A09-16943-00-00	SPRING	1	
16	A01-24127-00-00	SPEEDO METER SENSOR,1	1	
17	T38-24128-00-00	SPEEDO METER SENSOR,2	1	
18	S-3892-03010-01	BOLT 3X10	2	
19	S-4111-04061-31	SPRING WASHER	2	
20	S-4001-03000-01	NUT LOCK M3	2	
21	B11-42157-00-00	DAMPER	2	

F17

REVERS SYSTEM

ATV-150



F17**REVERS SYSTEMS**

ITEM	PARTS NO.	DESCRIPTION	REQD. NO.	REMARK
			ATV-150	
1	A09-62278-00-00	GEAR SHIFT KONB	1	
2	A09-62276-00-00	BOLT	3	
3	A09-62275-00-00	RUBBER TUBE	1	
4	A09-62286-00-00	HEX WRENCH SET M3	1	
5	A09-62277-00-00	REVERSE LEVER ASSY	1	
6	A09-62288-00-00	RUBBER TUBE	1	
7	A09-62296-00-00	REVERSE LEVER STAY,1	1	
8	A09-62271-00-00	FLANGE 8X12	2	
9	S-4101-16213-21	PLAIN WASHER	1	
10	S-4061-12000-04	FLANGE U NUT M12	1	
11	A09-62297-00-00	REVERSE LEVER ACCESSORY	1	
12	S-4111-06114-31	SPRING WASHER	1	
13	S-3500-06010-03	PAN HEAD SCREW	1	
14	A09-62299-00-00	REVERSE LEVER,1	1	
15	A09-62298-00-00	CONNECTING GOD	2	
16	61J-19097-00-00	PIN	4	
17	S-4101-05122-21	PLAIN WASHER M6	12	
18	S-4251-12181-00	PIN	4	
19	S-4051-06000-13	FLANGE U NUT M6	1	
20	A09-62293-00-00	REVERSE LEVER STAY,2	1	
21	A09-62284-00-00	BOLT M20	1	
22	S-4111-06103-00	SPRING WASHER	2	
23	S-5800-06016-02	BOLT FLANGE 6X16	2	
24	A09-62294-00-00	REVERSE LEVER,2	1	
25	S-2000-06010-01	HEX. BOLT 6X10	2	
26	A09-62262-00-00	CABLE	2	

F18

STICKER

ATV-150

1

ATTENTION

Avant toute utilisation, veuillez lire attentivement les conseils d'utilisation suivants:

- Préalablement à tout usage, la lecture du manuel de l'utilisateur est indispensable.
- La conduite d'un quadricycle à moteur n'est possible que sur des terrains privés. Son usage sur les voies ouvertes à la circulation publique est interdite.
- Le port des équipements de protection est indispensable (casque homologué, lunettes, vêtements couvrants, bottes...)
- Le transport d'un passager est interdit.
- L'âge minimum pour conduire ce quadricycle est de 6 ans.
- La présence d'un adulte est impérative lors de son utilisation et lors des mises à niveau des consommables (essence+huile).
- Le suivi d'une formation préalable à la conduite est recommandé.

2

STOP WARNING

Improper ATV use can result in SEVERE INJURY or DEATH

ALWAYS USE AN APPROVED HELMET AND PROTECTIVE GEAR. NEVER USE ON PUBLIC ROADS. NEVER CARRY PASSENGERS. NEVER USE WITH DRUGS OR ALCOHOL.

LOCATE AND READ OWNER'S MANUAL CAREFULLY BEFORE OPERATING. FOLLOW ALL INSTRUCTIONS AND WARNINGS. THIS VEHICLE CONFORMS TO DOT STANDARDS.

3

WARNING

UNDER 16

NEVER PERMIT CHILDREN UNDER AGE 16 TO OPERATE THIS VEHICLE. OPERATION OF THIS ATV BY CHILDREN UNDER THE AGE OF 16 INCREASES THE RISK OF SEVERE INJURY OR DEATH.

NEVER CARRY A PASSENGER

NEVER OPERATE THIS VEHICLE ON PAVED SURFACES OR AROUND OBSTACLES.

THIS ATV SHOULD ONLY BE OPERATED ON FLAT OR LOW GRADE TERRAIN AND NEVER EXCEED YOUR OWN ABILITIES.

PRE-RISE CHECK LIST: CHECK OIL LEVELS, AIR PRESSURE IN ALL TIRES, ALWAYS WEAR SAFETY GEAR TO INCLUDE HELMET, GLOVES AND FOOT PROTECTION.

TIRE PRESSURE: 3 PSI FOR OPERATING CONDITION.

USE 92⁺ OR 95⁺
UNLEADED GASOLINE ONLY

4



5

21



11

6



16

31



26



36

F18

STICKER

ATV-150



F18**STICKER**

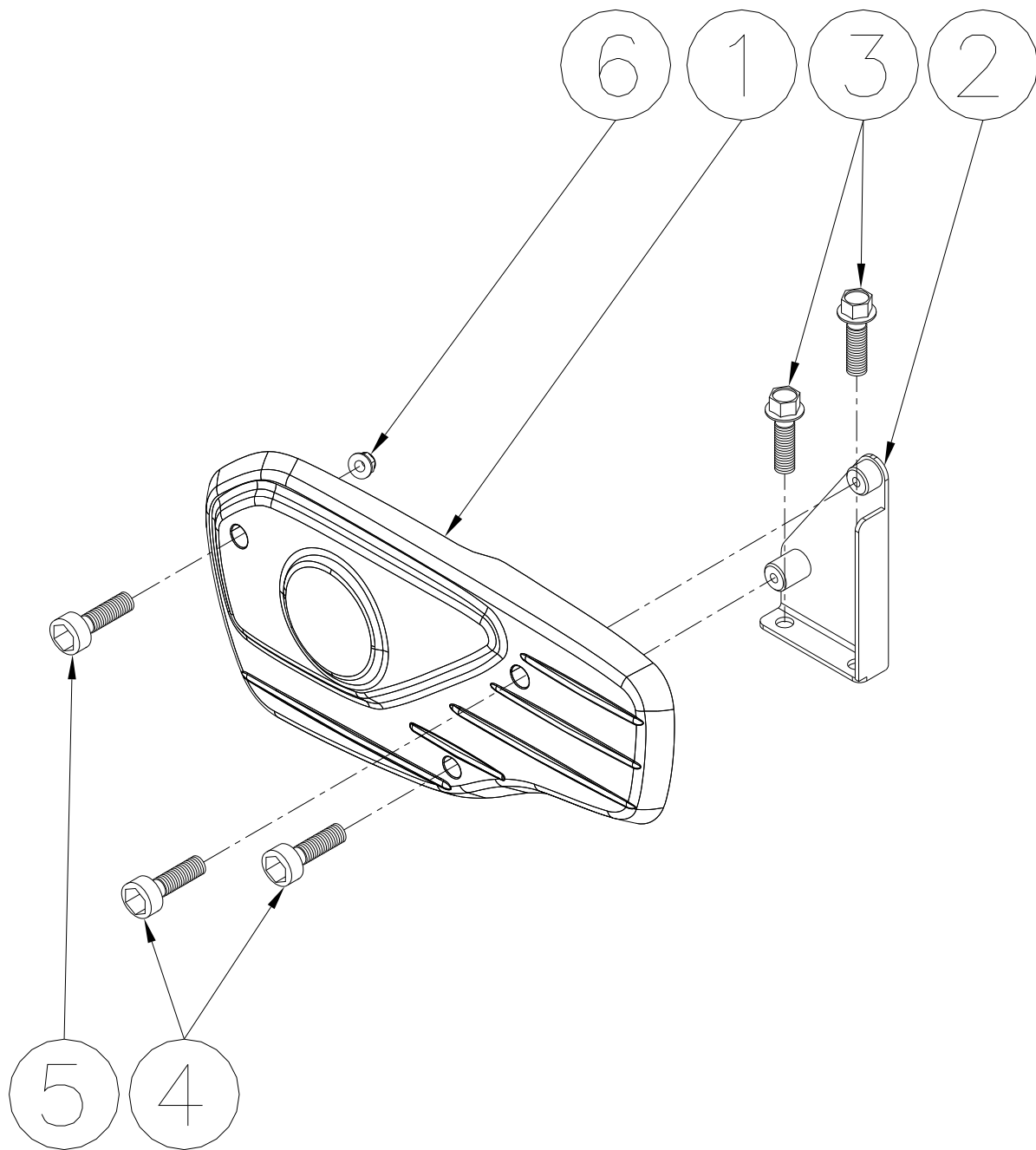
ITEM	PARTS NO.	DESCRIPTION	REQD. NO.	REMARK
			ATV-150	
1	F10-61151-00-00	WARNING STICKER,2	1	
2	B11-61141-00-00	WARNING STICKER,1	1	
3	F01-61129-10-00	STICKER	1	
4	B08-61177-00-00	STICKER	1	
5	F13-61113-00-00	STICKER CPI	1	
6	A09-61111-00-10	STICKER,1	1	紅
7	A09-61111-00-20	STICKER,1	1	黃
8	A09-61111-00-40	STICKER,1	1	藍
9	A09-61111-00-60	STICKER,1	1	黑
10	A09-61111-00-80	STICKER,1	1	橘
11	A09-61121-00-10	STICKER,2	1	紅
12	A09-61121-00-20	STICKER,2	1	黃
13	A09-61121-00-40	STICKER,2	1	藍
14	A09-61121-00-60	STICKER,2	1	黑
15	A09-61121-00-80	STICKER,2	1	橘
16	A09-61131-00-10	STICKER,3	1	紅
17	A09-61131-00-20	STICKER,3	1	黃
18	A09-61131-00-40	STICKER,3	1	藍
19	A09-61131-00-60	STICKER,3	1	黑
20	A09-61131-00-80	STICKER,3	1	橘
21	A09-61141-00-10	STICKER,4	1	紅
22	A09-61141-00-20	STICKER,4	1	黃
23	A09-61141-00-40	STICKER,4	1	藍
24	A09-61141-00-60	STICKER,4	1	黑
25	A09-61141-00-80	STICKER,4	1	橘
26	A09-61151-00-10	STICKER,5	1	紅
27	A09-61151-00-20	STICKER,5	1	黃
28	A09-61151-00-40	STICKER,5	1	藍

29	A09-61151-00-60	STICKER,5	1	黑
30	A09-61151-00-80	STICKER,5	1	橘
31	A09-61161-00-10	STICKER,6	1	紅
32	A09-61161-00-20	STICKER,6	1	黃

F18	<i>STICKER</i>			
------------	-----------------------	--	--	--

33	A09-61161-00-40	STICKER,6	1	藍
34	A09-61161-00-60	STICKER,6	1	黑
35	A09-61161-00-80	STICKER,6	1	橘
36	A09-61172-00-00	STICKER,7	1	字體為透明

F19	PROTECTOR	ATV-150
------------	------------------	----------------



F19**PROTECTOR**

ITEM	PARTS NO.	DESCRIPTION	REQD. NO.	REMARK
			ATV-150	
1	A09-42171-00-00	PROTECTOR	1	
2	A09-42175-00-00	STAY	1	
3	S-5800-08014-02	FLANGE BOLT	2	
4	S-6700-05012-04	SOCKET BOLT	2	
5	S-6700-05018-02	SOCKET BOLT	1	
6	S-4061-05000-01	U NUT M5	1	