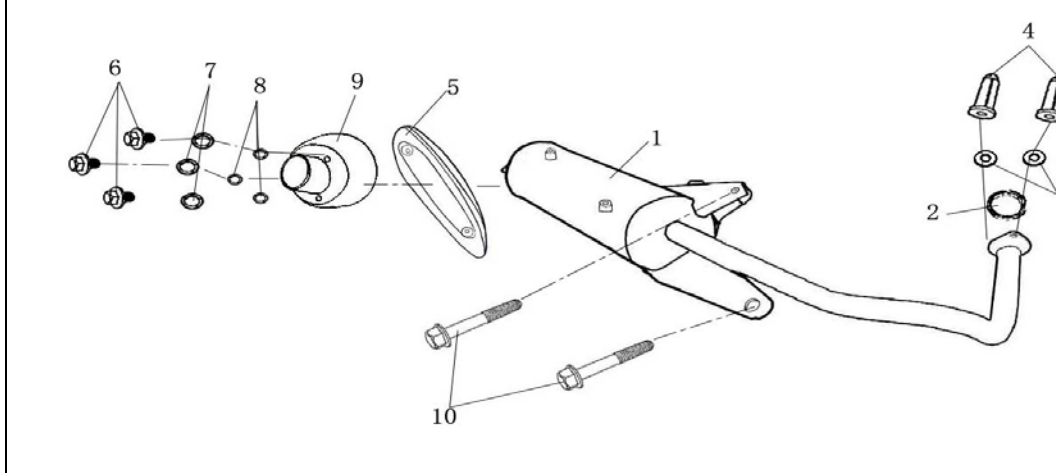


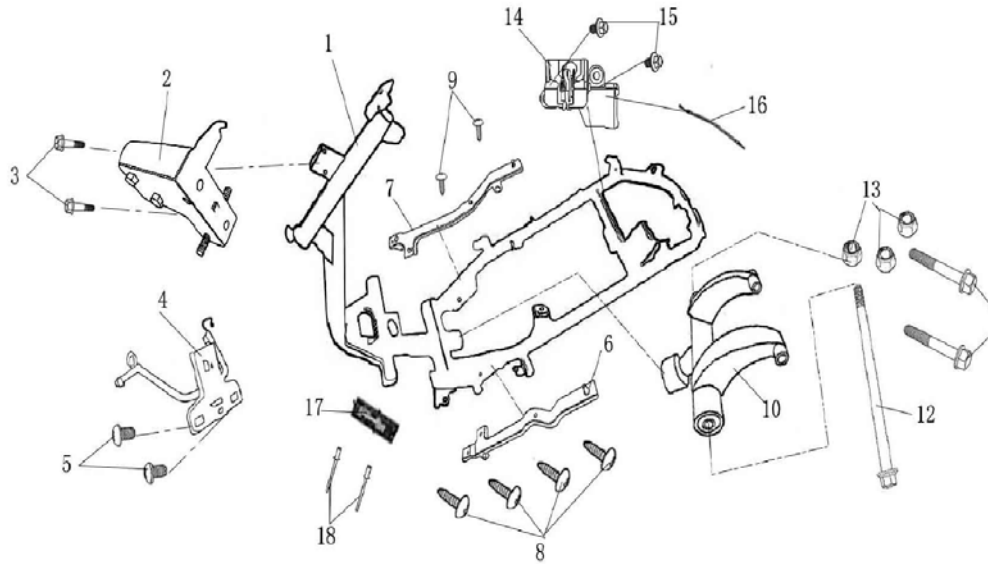
## JONWAY YY50QT-6 PARTS CATALOGUE

图 1	消声器	Model	JONWAY 50QT-6
Draft 1	EXHAUST MUFFLER	Part No.	YY50QT01000



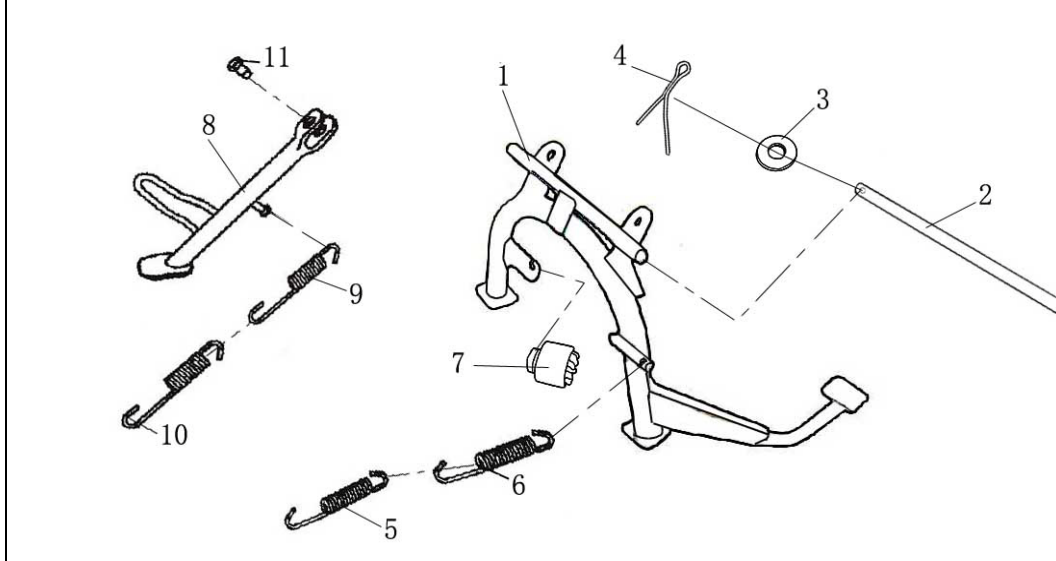
NO.	Part NO.	Chinese Name	Description	QTY
		消声器总成铁(铁)(带触媒)		
1	YY50QT001001	消声器总成铁(铁)	Exhaust Muffler	1
2	YY50QT001002	排气口垫片	Washer, Exhaust Outlet	1
3	YY50QT001003	垫片	Washer	2
4	YY50QT001004	消声器盖型螺母M6	Cap Nut, M6	2
5	YY50QT001005	消声器装饰板	Decorating Plate, Muffler	1
6	GB/T5787-M6×10	法兰螺栓M6×10	Flange Bolt, M6×10	3
7	GB/T95-φ6	平垫圈φ6	Plain Washer, φ6	3
8	GB/T93-φ6	弹簧垫圈φ6	Spring Washer, φ6	3
9	YY50QT001006	消声器尾部隔热罩	Tail Insulate Cover, Muffler	1
10	GB/T5789-M8×40	法兰螺栓M8×40	Bolt, M8×40	2

图 2	车架	Model	JONWAY 50QT-6
Draft 2	FRAME	Part No.	YY50QT02000



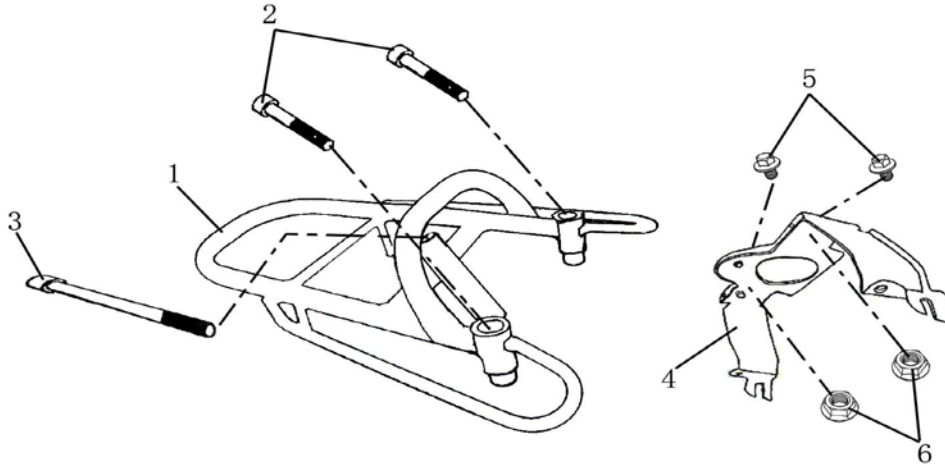
NO.	Part NO.	Chinese Name	Description	QTY
1	YY50QT002001	车架	Frame	1
2	YY50QT002002	喇叭支架	Bracket, Horn	1
3	GB/T5789-M6×30	法兰螺栓M6×30	Bolt, M6×30	2
4	YY50QT002003	前轮挡泥板支架	Bracket, Front Mudguard	1
5	GB/T818-M6×16	十字盘头螺钉M6×16	Screw, M6×16	2
6	YY50QT002004	左边条	L. Side Holder	1
7	YY50QT002005	右边条	R. Side Holder	1
8	GB/T845-ST4.8×16	自攻螺钉ST4.8×16	Screw, Tapping ST4.8×16	4
9	GB/T845-ST4.2×12	自攻螺钉ST4.2×12	Screw, Tapping ST4.2×12	2
10	YY50QT002006	动力吊架	Engine Mount	1
11	GB/T5789-M10×70	法兰螺栓M10×70	Bolt, M10×70	2
12	YY50QT002007	吊架轴M10×1.25×240	Engine Mount Bolt, M10×1.25×240	1
13	GB/6187.1-M10	法兰锁紧螺母M10	Flange Lock Nut, M10	3
14	YY50QT002008	座垫锁座	Lock Assy, Seat	1
15	GB/T5789-M6×16	法兰螺栓M6×16	Flange Bolt, M6×16	2
16	YY50QT002009	座垫锁线	Cable, Seat Lock	1
17	YY50QT002010	铭牌	Statutory Inscription Plate	1
18	GB/T12615	铭牌铆钉	Rivet, Statutory Inscription Plate	2

图 3	主支架/侧支架	Model	JONWAY 50QT-6
Draft 3	MAIN / SIDE STAND	Part No.	YY50QT03000



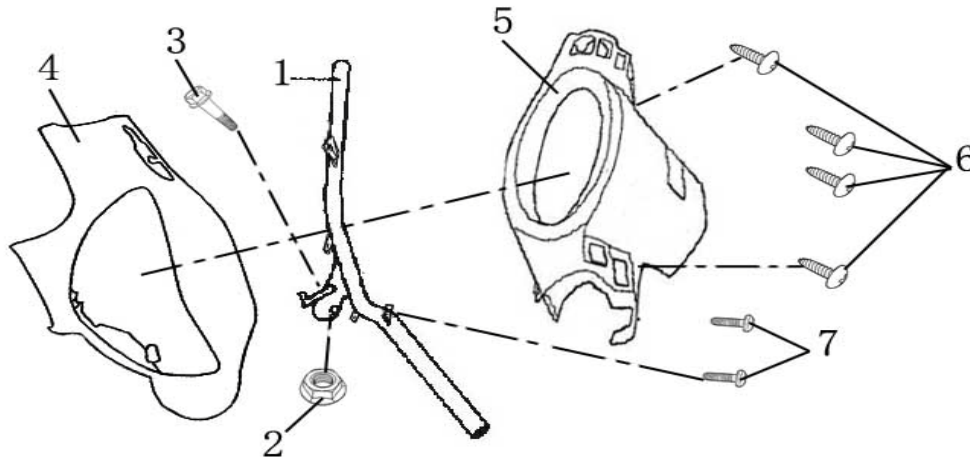
NO.	Part NO.	Chinese Name	Description	QTY
1	YY50QT003001	主支架	Main Stand Assy	1
2	YY50QT003002	主支架轴 $\phi 8 \times 170$	Main Stand Axle, $\phi 8 \times 170$	1
3	GB/T95- $\phi 8$	平垫圈 $\phi 8$	Plain Washer, $\phi 8$	1
4	YY50QT003003	开口销	Clip Pin	1
5	YY50QT003004	主支架内弹簧	Side Spring, Main Stand	1
6	YY50QT003005	主支架外弹簧	Spring, Main Stand	1
7	YY50QT003006	主支架缓冲块	Retainer Rubber, Main Stand	1
8	YY50QT003007	侧支架	Side Stand Assy	1
9	YY50QT003008	侧支架外弹簧	Spring, Side Stand	1
10	YY50QT003009	侧支架内弹簧	Side Spring, Side Stand	1
11	YY50QT003010	侧支架螺栓	Bolt, Side Stand	1

图 4	后货架	Model	JONWAY 50QT-6
Draft 4	REAR BAGGAGE RACK	Part No.	YY50QT04000



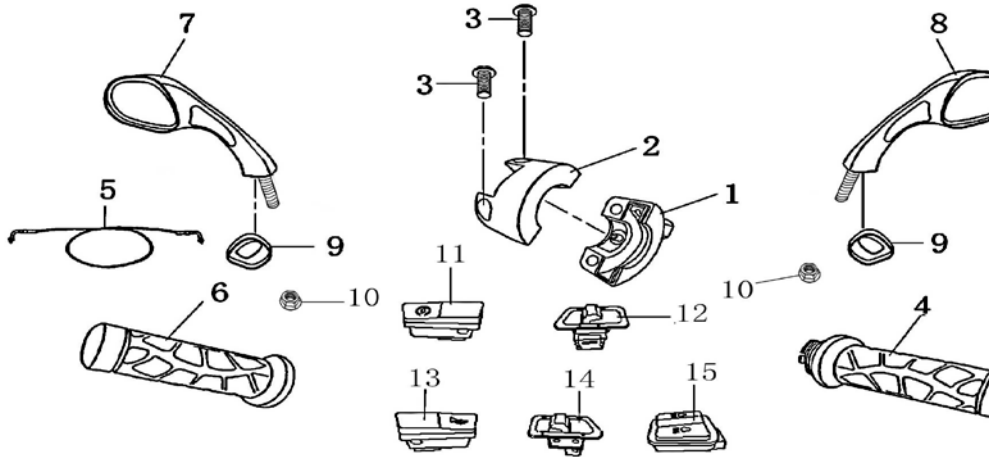
NO.	Part NO.	Chinese Name	Description	QTY
1	YY50QT004001	载物架	Rear Baggage Rack	1
2	GB/T70.1-M8×40	内六角圆柱头螺钉M8×40	Inner Hex Screw, M8×40	2
3	GB/T70.1-M8×85	内六角圆柱头螺钉M8×85	Inner Hex Screw, M8×85	1
4	YY50QT004002	载物架支架	Bracket, Rear Baggage Rack	1
5	GB/T5789-M6×12	法兰螺栓M6×12	Flange Bolt, M6×12	2
6	GB/T6177.1-M6	法兰螺母M6	Flange Nut, M6	2

图 5	方向把/方向把罩	Model	JONWAY 50QT-6
Draft 5	HANDLE, METER CASE	Part No.	YY50QT05000

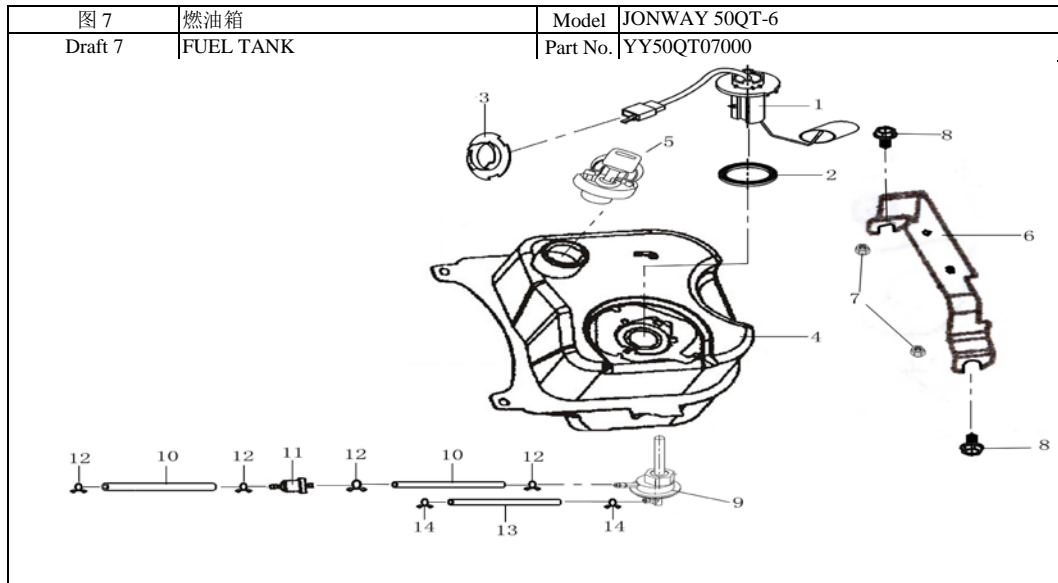


NO.	Part NO.	Chinese Name	Description	QTY
1	YY50QT005001	方向把	Handle Comp	1
2	GB/T6187.1-M10	法兰锁紧螺母M10	Flange Lock Nut, M10	1
3	GB/T5789-M10×45	法兰螺栓M10×45	Flange Bolt, M10×45	1
4	YY50QT005002	挡风罩(前转向灯安装壳)	Case, Front Turning Light	1
5	YY50QT005003	仪表壳	Case, Meter	1
6	GB/T845-ST4.2×16	自攻螺钉ST4.2×16	Screw, Tapping ST4.2×16	4
7	GB/T818-M5×16	十字盘头螺钉M5×16	Bolt, M5×16	2

图 6	操纵手把/后视镜/钢索/开关	Model	JONWAY 50QT-6
Draft 6	HANDLEBAR, REAR VIEW MIRROR, CABLE & SWITCH	Part No.	YY50QT06000

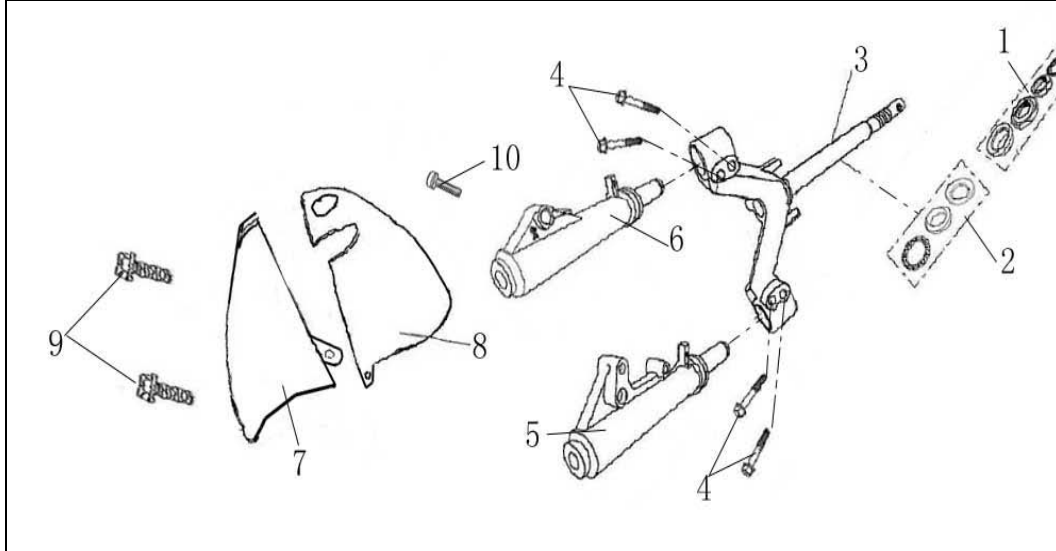


NO.	Part NO.	Chinese Name	Description	QTY
1	YY50QT006001	油门固定座	Holder, Throttle at Right Handle	1
2	YY50QT006002	油门固定块	Rear Holder, Throttle Cable	1
3	GB/T818-M5×25	十字盘头螺钉M5×25	Screw, M5×25	2
4	YY50QT006003	右把手套 (油门转把)	Rubber Grip, R. Handle(Throttle Control)	1
5	YY50QT006004	油门线	Throttle Cable	1
6	YY50QT006005	左把手套	Rubber Grip, L. Handle	1
7	YY50QT006006	左后视镜组件	Rear View Mirror, L.	1
8	YY50QT006007	右后视镜组件	Rear View Mirror, R.	1
9	YY50QT006008	后视镜防水胶套	Rubber Cover, Rear View Mirror	2
10	GB/T6177.1-M8	法兰螺母M8	Flange Nut, M8	2
11	YY50QT006009	电起动开关	Electric Start Switch	1
12	YY50QT006010	大灯开关	Headlight Switch	1
13	YY50QT006011	喇叭开关	Horn Switch	1
14	YY50QT006012	转向开关	Turning Light Switch	1
15	YY50QT006013	变灯开关	Dimmer Switch	1



NO.	Part NO.	Chinese Name	Description	QTY
1	YY50QT007001	汽油传感器	Fuel Level Sensor	1
2	YY50QT007002	传感器油封	Oil Seal Gasket for Sensor	1
3	YY50QT007003	传感器压板	Block Cap, Sensor	1
4	YY50QT007004	油箱	Fuel Tank Assy	1
5	YY50QT007005	油箱锁盖	Cap Assy, Fuel Tank	1
6	YY50QT007006	油箱压板	Block Holder, Fuel Tank	1
7	GB/T6177.1-M6	法兰螺母M6	Flange Nut, M6	2
8	GB/T5789-M6×12	法兰螺栓M6×12	Bolt, M6×12	2
9	YY50QT007007	油箱开关	Fuel Valve Assy	1
10	YY50QT007008	汽油管	Fuel Tube	米
11	YY50QT007009	过滤器	Fuel Filter	1
12	YY50QT007010	油管卡簧 φ5	Clip, Fuel Tube φ5	4
13	YY50QT007011	负压管	Vacuum Air Tube	米
14	YY50QT007012	油管卡簧 φ4	Clip, Fuel Tube φ4	2

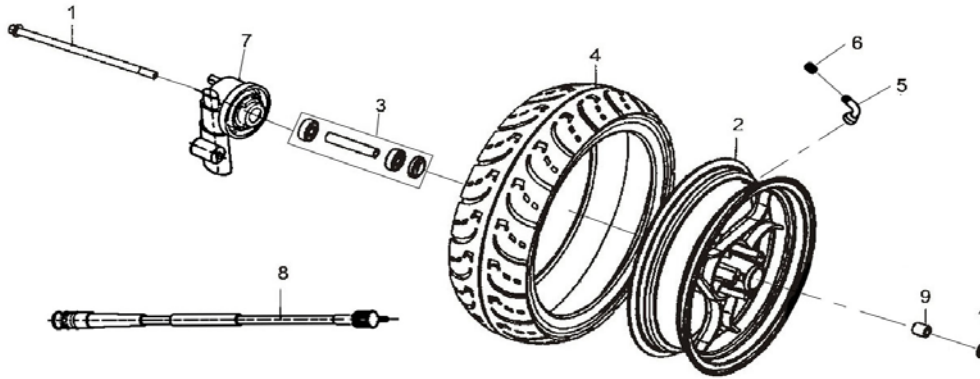
图 8	方向柱/前减震	Model	JONWAY 50QT-6
Draft 8	STEERING / FRONT SHOCK ABSORBER	Part No.	YY50QT08000



NO.	Part NO.	Chinese Name	Description	QTY
1	YY50QT008001	上钢碗全套	Top Protrude, Steel Ball Bowl Assy	1
2	YY50QT008002	下钢碗全套	Bottom Concave, Steel Ball Bowl Assy	1
3	YY50QT008003	下联板	Lower Bridge Assy, Steer Stem	1
4	GB/T5789-M8×40	法兰螺栓M8×40	Bolt, M8×40	4
5	YY50QT008004	前左减震器	L. Front Shock Absorber	1
6	YY50QT008005	前右减震器	R. Front Shock Absorber	1
7	YY50QT008006	前轮泥板前部	Front, Front Mudguard	1
8	YY50QT008007	前轮泥板后部	Rear, Front Mudguard	1
9	GB/T5789-M6×16	法兰螺栓M6×16	Flange Bolt, M6×16	2
10	GB/T9074.1-M5×16	带垫圈螺钉M5×16	Screw with Washer, M5×16	1

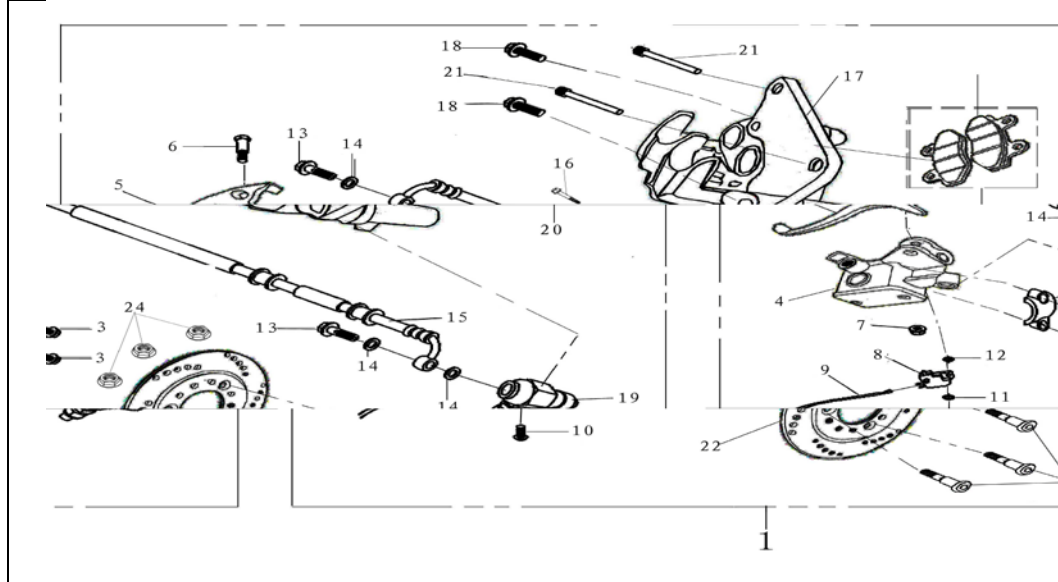


图 9	前轮	Model	JONWAY 50QT-6
Draft 9	FRONT WHEEL	Part No.	YY50QT09000



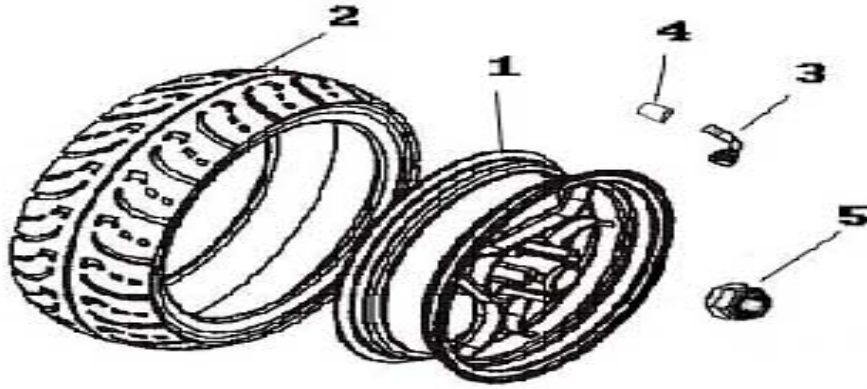
NO.	Part NO.	Chinese Name	Description	QTY
1	YY50QT009001	前轮轴M10×190	Axle, Front Wheel, M10×190	1
2	YY50QT009002	前轮辋	Rim, Front Wheel	1
3	YY50QT009003	前轮轴隔套组件	Separate Collar Set, Front Wheel Axle	1
4	YY50QT009004	前轮胎	Tyre, Front Wheel 3.50-10	1
5	YY50QT009004	气门嘴	Tubeless Valve	1
6	YY50QT009005	气门嘴盖	Cap, Tubeless Valve	1
7	YY50QT009006	传动器(车速里程计数器)	Count Gear Box, Odometer	1
8	YY50QT009008	里程表线	Cable, Odometer	1
9	YY50QT009009	衬套 φ 10×φ20×19	Collar, φ10×φ20×19	1
10	GB/T6187.1-M10	法兰锁紧螺母M10	Flange Lock Nut, M10	1

图 10	前液压制动器	Model	JONWAY 50QT-6
Draft 10	FRONT HYDRAULIC BRAKE	Part No.	YY50QT10000



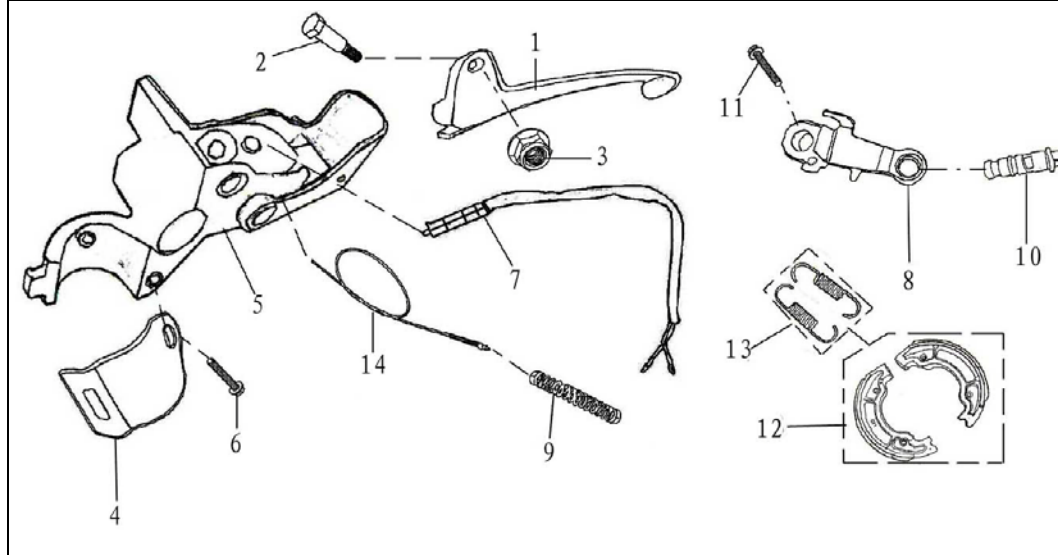
NO.	Part NO.	Chinese Name	Description	QTY
1	YY50QT010000	前制动器总成	Front Hydraulic Brake System	1
2	YY50QT010001	上泵压块	Cap, Front Hydraulic Cylinder	1
3	GB/T5789-M6×22	法兰螺栓M6×22	Bolt, M6×22	2
4	YY50QT010002	前刹上泵	Front Hydraulic Cylinder Comp	1
5	YY50QT010003	前制动手柄	Lever, Right Handle	1
6	YY50QT010004	手柄螺栓	Bolt, Front Brake Lever	1
7	GB/T6187.1-M6	法兰锁紧螺母M6	Flange Lock Nut, M6	1
8	YY50QT010005	前刹车开关	Switch, Front Brake	1
9	YY50QT010006	前刹车开关线	Wire Cable, Front Brake Switch	1
10	GB/T818-M4×12	十字盘头螺钉M4×12	Screw, M4×12	1
11	GB/T95-φ4	平垫圈φ4	Plain Washer, φ4	1
12	GB/T93-φ4	φ4弹簧垫圈	Spring Washer, φ4	1
13	YY50QT010007	油管连接螺栓	Connect Bolt, Hose, Front Brake	2
14	YY50QT010008	铜垫片	Copper Washer	4
15	YY50QT010009	液压油管	Hydraulic Hose, Front Brake	1
16	GB/T5789-M6×16	法兰螺栓M6×16	Bolt, M6×16	1
17	YY50QT010010	前刹下泵	Caliper Comp, Front Brake	1
18	GB/T5789-M8×30	法兰螺栓M8×30	Bolt, M8×30	2
19	YY50QT010011	ABS组件	ABS Assy	1
20	YY50QT010012	摩擦片组件	Brake Plate Assy, Front Brake	1
21	YY50QT010013	摩擦片固定螺栓	Bolt, Brake Plate Assy, Front Brake	2
22	YY50QT010014	前制动盘	Brake Disc. Assy, Front Wheel	1
23	GB/T2672-M8×25	内六角螺栓M8×25	Inner Hex Bolt, M8×25	3
24	GB/T6187.1-M8	法兰锁紧螺母M8	Flange Lock Nut, M8	3

图 11	后轮	Model	JONWAY 50QT-6
Draft 11	REAR WHEEL	Part No.	YY50QT11000



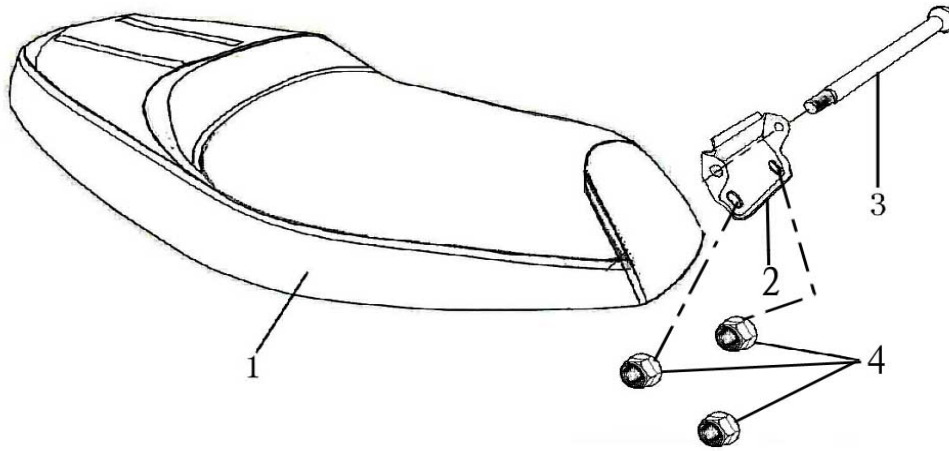
NO.	Part NO.	Chinese Name	Description	QTY
1	YY50QT011001	后轮辋	Rim, Rear Wheel	1
2	YY50QT011002	后轮胎	Tyre, Rear Wheel 3.50-10	1
3	YY50QT011003	气门嘴	Tubeless Valve	1
4	YY50QT011004	气门嘴盖	Cap, Tubeless Valve	1
5	GB/T6187.1-M16	法兰锁紧螺母M16	Flange Lock Nut, M16	1

图 12	后制动器	Model	JONWAY 50QT-6
Draft 12	REAR DRUM BRAKE	Part No.	YY50QT12000



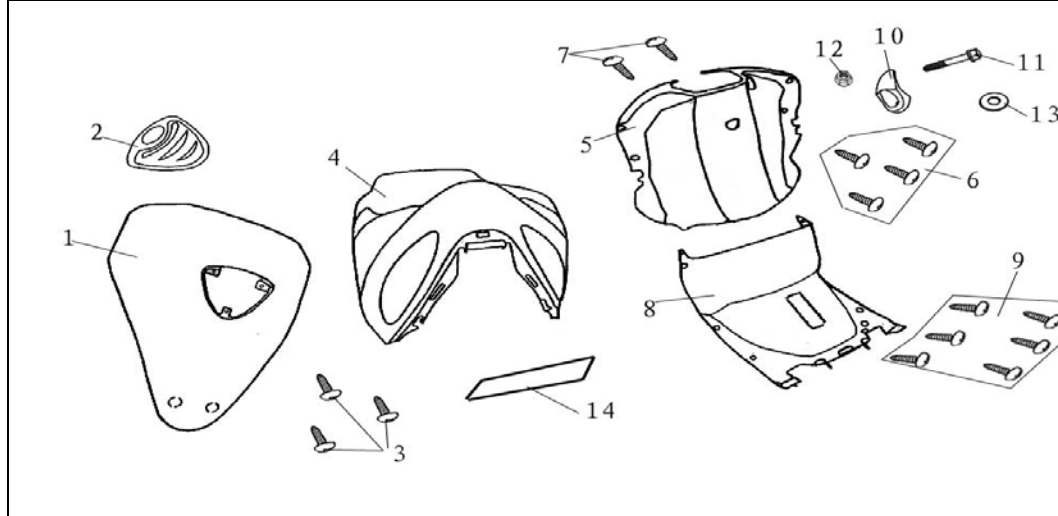
NO.	Part NO.	Chinese Name	Description	QTY
1	YY50QT012001	后制动手柄	Rear Brake Lever	1
2	YY50QT012002	后制动手柄固定螺钉	Bolt, Rear Brake Lever	1
3	GB/T6187.1-M6	法兰锁紧螺母M6	Flange Lock Nut, M6	1
4	YY50QT012003	后制动手柄固定压块	Fixing Plate, Rear Brake Lever	1
5	YY50QT012004	后制动手柄固定块	Holder Assy, Rear Brake Lever	1
6	GB/T5787-M6×16	螺栓M6×16	Bolt, M6×16	1
7	YY50QT012005	后刹车开关组件	Switch, Rear Brake	1
8	YY50QT012006	刹车摇臂	Rocker Arm, Rear Brake	1
9	YY50QT012007	刹车线回位弹簧	Return Spring, Rear Brake Cable	1
10	YY50QT012008	刹车摇臂轴	Camshaft, Rear Brake	1
11	GB/T5789-M6×35	法兰螺栓M6×35	Flange Bolt, M6×35	1
12	YY50QT012009	刹车蹄块	Brake Shoes Set, Rear Brake	2
13	YY50QT012010	蹄块回位弹簧	Return Spring, Brake Shoes	2
14	YY50QT012011	后制动拉索	Cable, Rear Brake	1

图 13	座垫	Model	JONWAY 50QT-6
Draft 13	SEAT	Part No.	YY50QT13000



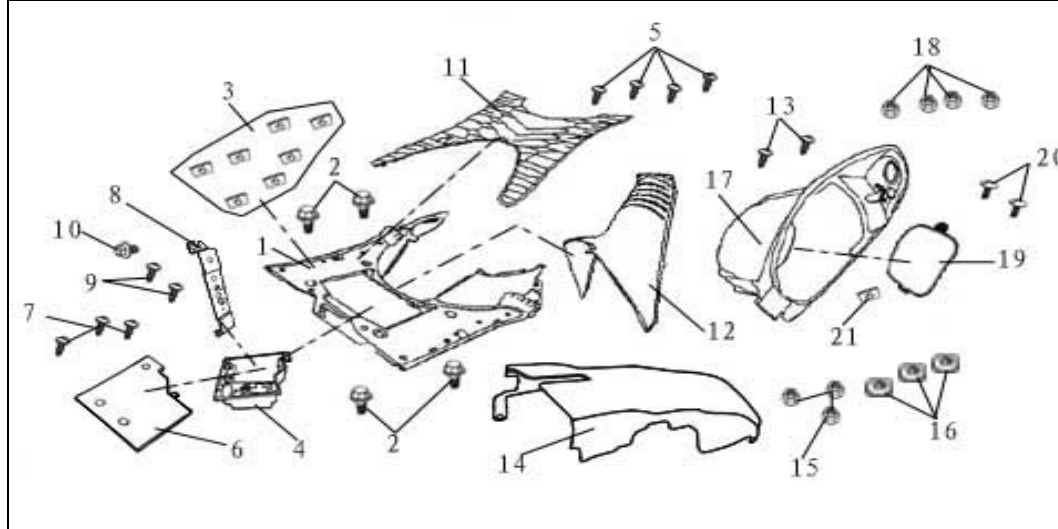
NO.	Part NO.	Chinese Name	Description	QTY
1	YY50QT013001	座垫	Seat Assy	1
2	YY50QT013002	座垫摇臂	Rocker Arm, Seat	1
3	YY50QT013003	座垫摇臂轴	Rocker Arm Axle	1
4	GB/T6177.1-M6	螺母M6	Nut, M6	3

图 14	前面罩/前护条/工具箱	Model	JONWAY 50QT-6
Draft 14	FRONT COVER, SHIELD & LUGGAGE CARRIER	Part No.	YY50QT14000



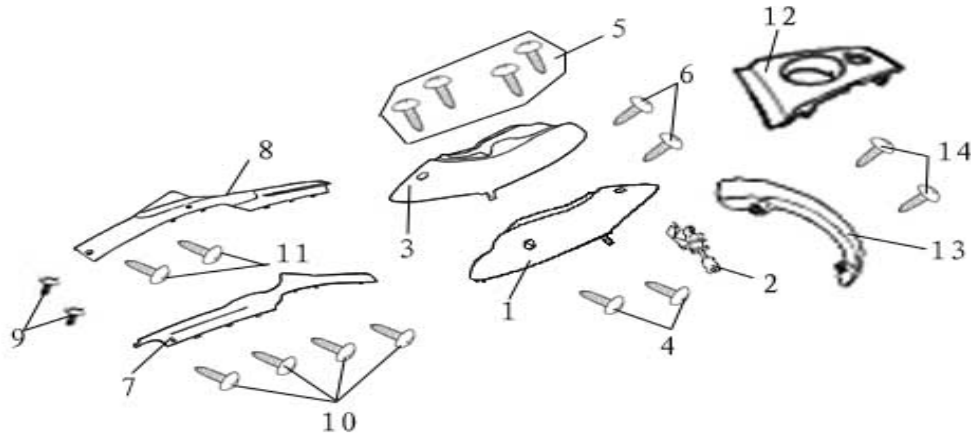
NO.	Part NO.	Chinese Name	Description	QTY
1	YY50QT014001	前面罩	Front Cover	1
2	YY50QT014002	前面罩小盖	Decorating Small Cover, Front Cover	1
3	GB/T845-ST4.2x12	自攻螺钉ST4.2x12	Screw, Tapping ST4.2x12	3
4	YY50QT014003	前护条	Front Shield	1
5	YY50QT014004	工具箱上部	Upper, Front Luggage Carrier	1
6	GB/T845-ST4.2x12	自攻螺钉ST4.2x12	Screw, Tapping ST4.2x12	4
7	GB/T845-ST4.2x16	自攻螺钉ST4.2x16	Screw, Tapping ST4.2x16	2
8	YY50QT014005	工具箱下部	Lower, Front Luggage Carrier	1
9	GB/T845-ST4.2x16	自攻螺钉ST4.2x16	Screw, Tapping ST4.2x16	6
10	YY50QT014006	头盔挂钩	Hook, Helmet	1
11	GB/T5789-M6x16	法兰螺栓M6x16	Flange Bolt, M6x16	1
12	GB/T6177.1-M6	螺母M6	Nut, M6	1
13	GB/T95-φ12	平垫圈φ12	Plain Washer, φ12	1
14	YY50QT014007	号码盖	Cover, Chassis No.	1

图 15	脚踏底板/置物箱/置物箱前罩	Model	JONWAY 50QT-6
Draft 15	FOOTREST, LUGGAGE CABINET & ITS FRONT COVER	Part No.	YY50QT12500



NO.	Part NO.	Chinese Name	Description	QTY
1	YY50QT015001	脚踏底板	Footrest Base Panel	1
2	YY50QT015002	带垫圈螺钉M6×16	Screw with Washer, M6×16	4
3	YY50QT015003	夹片4.2mm	Clamp, 4.2mm	8
4	YY50QT015004	电瓶盒	Box, Battery	1
5	GB/T845-ST4.8×16	自攻螺钉ST4.8×16	Screw, Tapping ST4.8×16	4
6	YY50QT015005	电瓶盖	Cover, Battery	1
7	GB/T845-ST4.2×16	自攻螺钉ST4.2×16	Screw, Tapping ST4.2×16	3
8	YY50QT015006	电瓶压条	Fixing Strip, Battery	1
9	GB/T845-ST4.2×12	自攻螺钉ST4.2×12	Screw, Tapping ST4.2×12	2
10	GB/T5789-M6×12	法兰螺栓M6×12	Flange Bolt, M6×12	1
11	YY50QT015007	脚踏皮	Rubber Mat	1
12	YY50QT015008	杂物箱前罩	Front Cover, Luggage Cabinet	1
13	GB/T845-ST4.8×16	自攻螺钉ST4.8×16	Screw, Tapping ST4.8×16	2
14	YY50QT015009	车架挡泥板	Fender, Frame	1
15	GB/T95-M6	法兰螺母M6	Flange Nut, M6	3
16	GB/T6177.1-φ6	平垫圈 φ6	Plain Washer, φ6	3
17	YY50QT015010	杂物箱	Luggage Cabinet	1
18	GB/T95-M6	法兰螺母M6	Flange Nut, M6	4
19	YY50QT015011	杂物箱内盖	Inside Cover, Luggage Cabinet	1
20	YY50QT015012	大扁头M6×16	Screw, M6×16	2
21	YY50QT015013	夹片M6	Clamp, M6	1

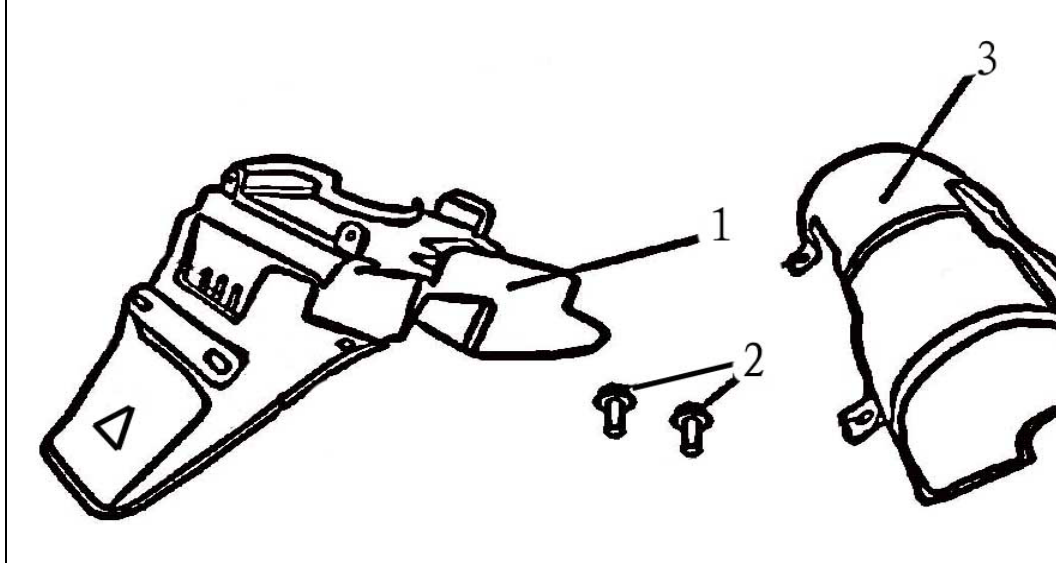
图 16	车体护板	Model	JONWAY 50QT-6
Draft 16	SIDE & REAR COVERS	Part No.	YY50QT16000



NO.	Part NO.	Chinese Name	Description	QTY
1	YY50QT016001	左装饰板	L. Decorating Cover	1
2	YY50QT016002	座垫锁(套锁里)	Lock Assy, Seat	1
3	YY50QT016003	右装饰板	R. Decorating Cover	1
4	GB/T845-ST4.2x16	自攻螺钉ST4.2x16	Screw, Tapping ST4.2x16	2
5	GB/T845-ST4.2x12	自攻螺钉ST4.2x12	Screw, Tapping ST4.2x12	4
6	GB/T845-ST4.8x16	自攻螺钉ST4.8x16	Screw, Tapping ST4.8x16	2
7	YY50QT016004	左护条	Left Shield	1
8	YY50QT016005	右护条	Right Shield	1
9	YY50QT016006	大扁头螺钉M6x16	Screw, M6x16	2
10	GB/T845-ST4.8x16	自攻螺钉ST4.8x16	Screw, Tapping ST4.8x16	4
11	GB/T845-ST4.2x12	自攻螺钉ST4.2x12	Screw, Tapping ST4.2x12	2
12	YY50QT016006	后装饰板	Rear Central Decorating Cover	1
13	YY50QT016007	后护条	Rear Shield	1
14	GB/T845-ST4.2x12	自攻螺钉ST4.2x12	Screw, Tapping ST4.2x12	2

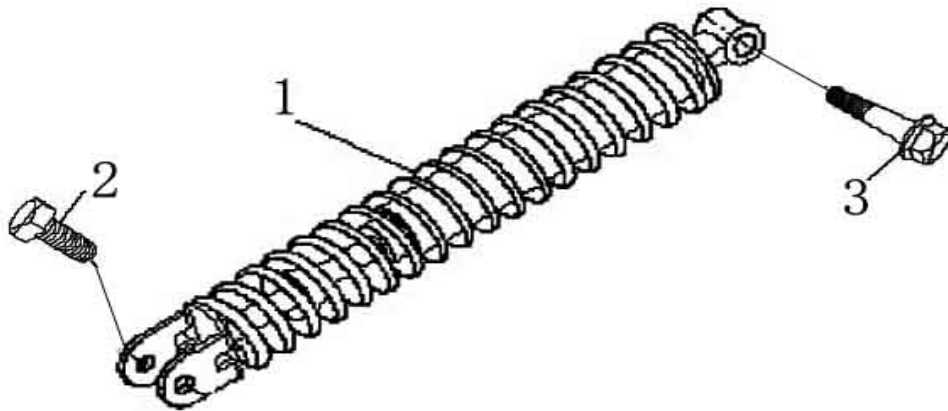


图 17	后轮挡泥板	Model	JONWAY 50QT-6
Draft 17	REAR MUDGUARD	Part No.	YY50QT17000



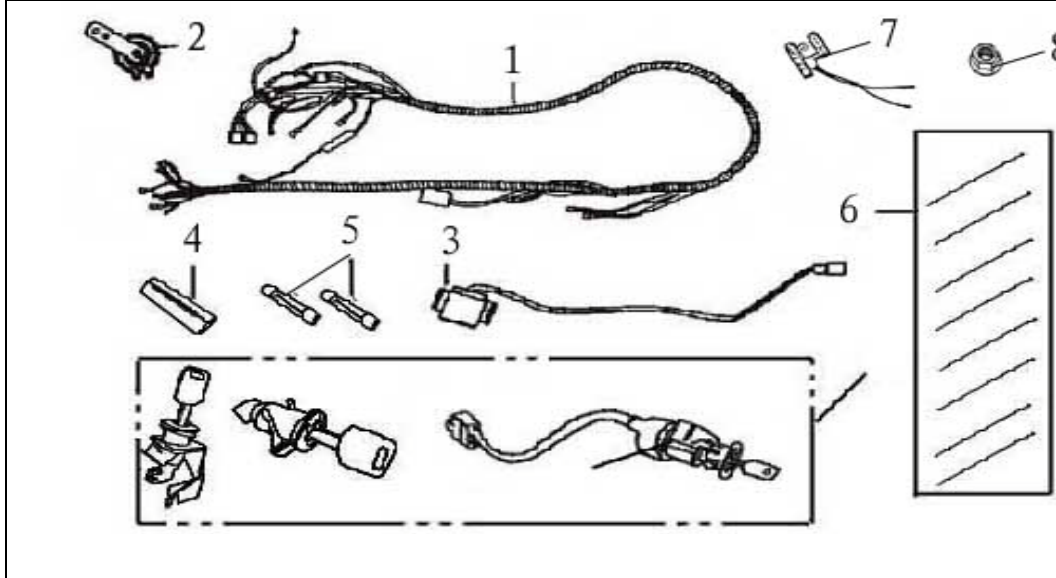
NO.	Part NO.	Chinese Name	Description	QTY
1	YY50QT017001	后泥板	Rear Fender	1
2	GB/T5789-M6×12	法兰螺栓M6×12	Flange Bolt, M6×12	2
3	YY50QT017002	后轮挡泥板	Rear Mudguard, Rear Wheel	1

图 18	后减震器	Model	JONWAY 50QT-6
Draft 18	REAR SHOCK ABSORBER	Part No.	YY50QT18000



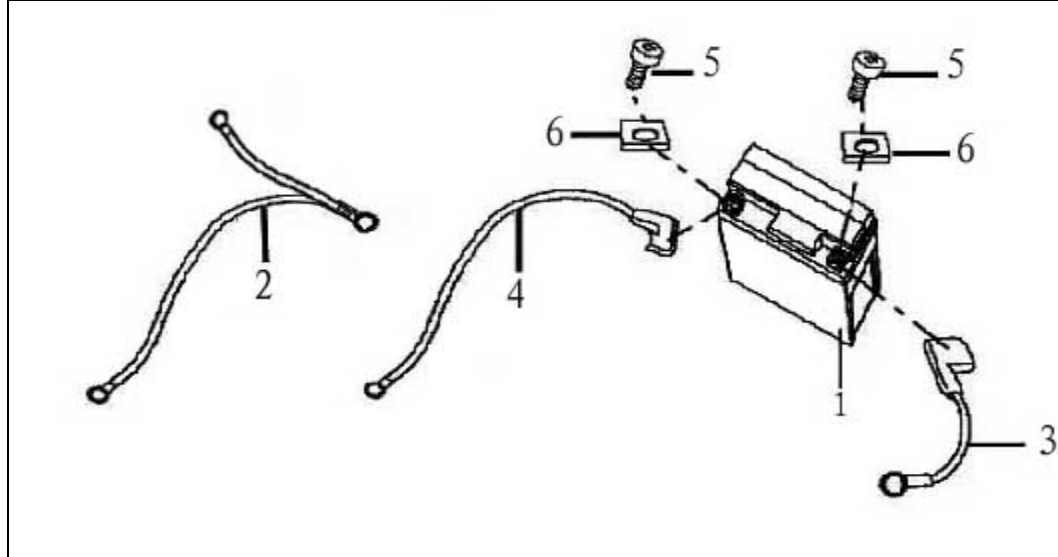
NO.	Part NO.	Chinese Name	Description	QTY
1	YY50QT018001	后减震器	Rear Shock Absorber Assy	1
2	GB/T5780-M8×32	六角头螺栓M8×32	Hex Bolt, M10×32	1
3	GB/T5789-M10×70	法兰螺栓M10×70	Bolt, M10×70	1

图 19	主电缆	Model	JONWAY 50QT-6
Draft 19	WIRE HARNESS	Part No.	YY50QT19000



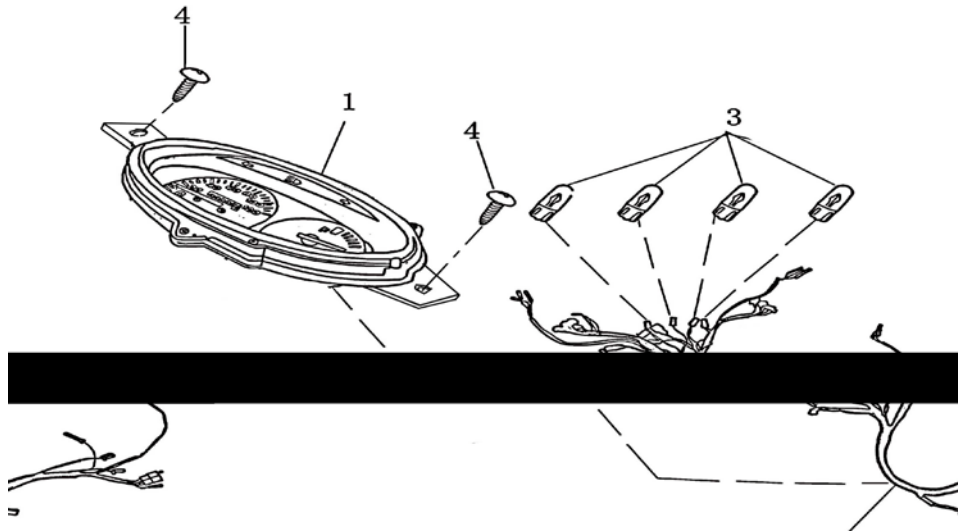
NO.	Part NO.	Chinese Name	Description	QTY
1	YY50QT019001	主电缆	Wire Harness	1
2	YY50QT019002	喇叭	Horn	1
3	YYPT50019003	闪光器	Winker Relay	1
4	YYPT50019004	保险盒	Fuse Box	1
5	YYPT50019005	保险丝	Fuse 7A	2
6	YYPT50019006	扎带	Strip Set	8
7	YYPT50019007	泄流电阻	Discharge Resistance	1
8	GB/T6177.1-M6	法兰螺母M6	Flange Nut, M6	1
9	YY50QT019007	点火开关组件	Ignition Switch	1
10	YY50QT019008	套锁	Lock Set	套

图 20	蓄电池	Model	JONWAY 50QT-6
Draft 20	BATTERY	Part No.	YY50QT20000



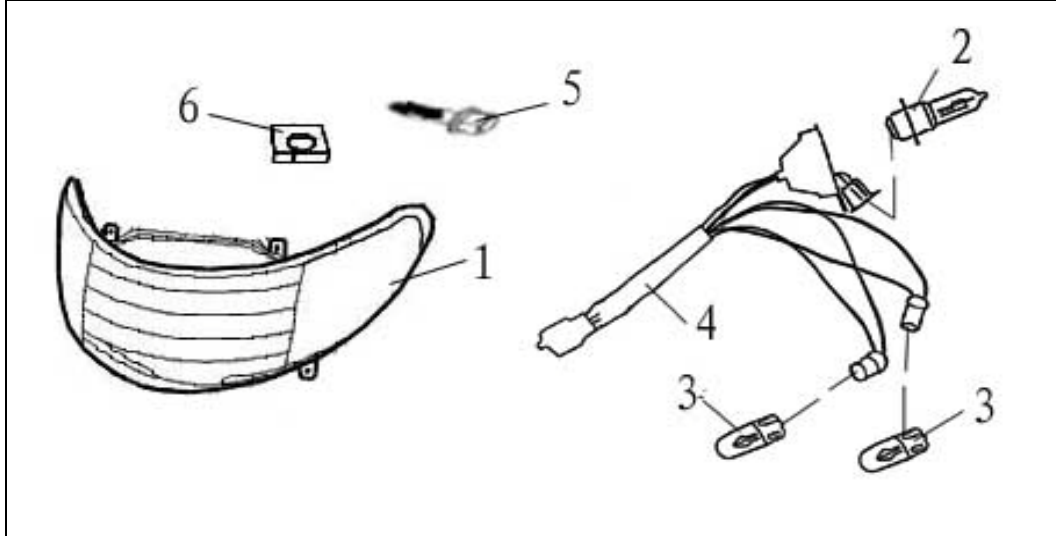
NO.	Part NO.	Chinese Name	Description	QTY
1	YY50QT020001	蓄电池 12V4AH	Battery 12V4AH	1
2	YY50QT020002	正负极线组合(马达线)	Cable Assy	1
3	YY50QT020003	正极线	Cable, Positive Pole	1
4	YY50QT020004	负极线	Cable, Grounding	1
5	GB/T29.2-M6×10	十字槽凹穴六角头螺栓M6×10	Bolt, M6×10	2
6	YY50QT020005	方形螺母 M6	Square Nut, M6	2

图 21	仪表	Model	JONWAY 50QT-6
Draft 21	METER	Part No.	YY50QT21000



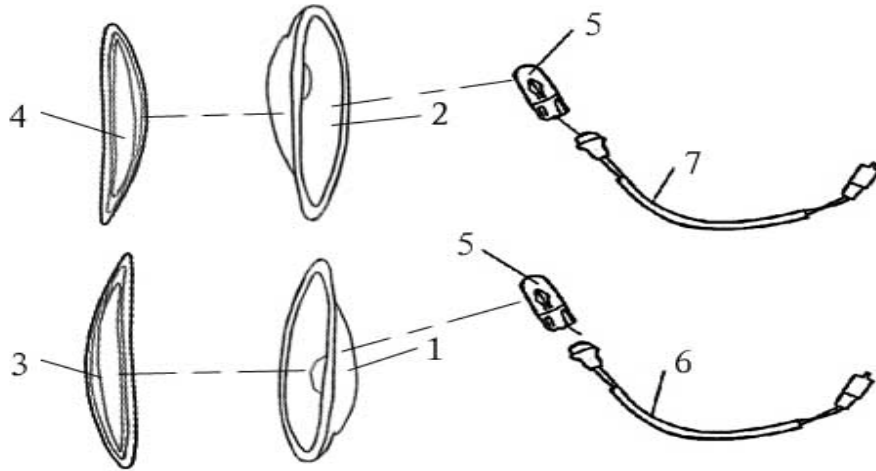
NO.	Part NO.	Chinese Name	Description	QTY
1	YY50QT021001	仪表	Meter Assy	1
2	YY50QT021002	仪表(副)电缆	Wire Cable, Meter	1
3	YY50QT021003	仪表灯灯泡12V3W	Bulb, Meter Light 12V3W	4
4	GB/T845-ST4.2×12	自攻螺钉ST4.2×12	Screw, Tapping ST4.2×12	2

图 22	前照灯	Model	JONWAY 50QT-6
Draft 22	HEADLIGHT	Part No.	YY50QT22000



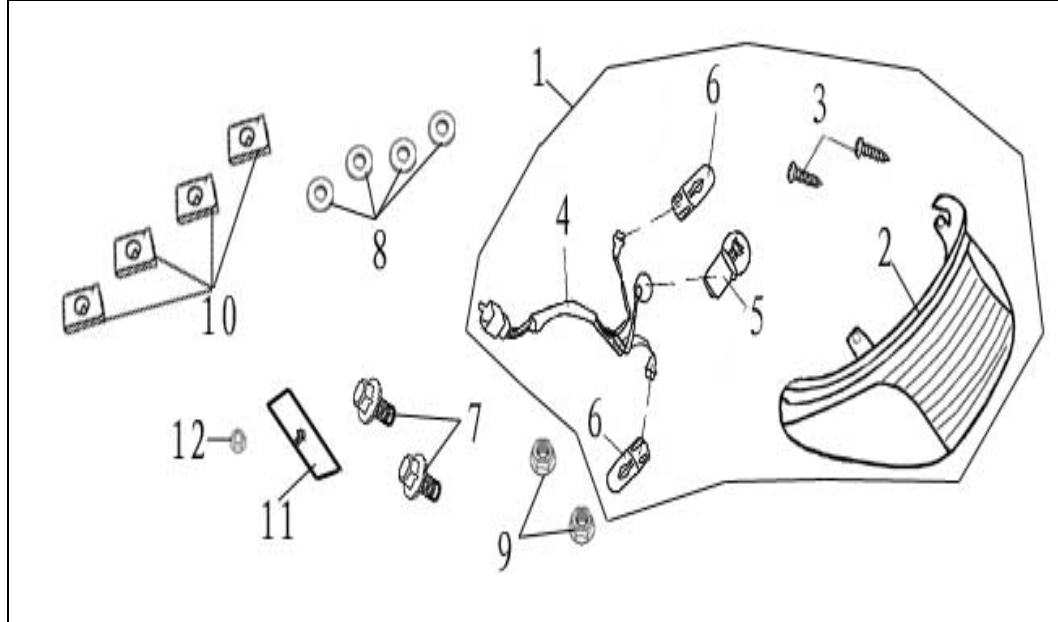
NO.	Part NO.	Chinese Name	Description	QTY
		前大灯		1
1	YY50QT022001	前大灯前后壳(无灯泡, 灯线)	Headlight Comp	1
2	YY50QT022002	大灯灯泡12V25/25W	Bulb, Headlight 12V25/25W	1
3	YY50QT022003	夜小灯灯泡12V3W	Bulb, Position Light 12V 3W	2
4	YY50QT022004	大灯线	Wire Cable, Headlight	1
5	GB/T5789-M6×16	法兰螺栓M6×16	Flange Bolt, M6×16	1
6	YY50QT022006	方形螺母 <b>M6</b>	Square Nut, M6	1

图 23	前转向灯	Model	JONWAY 50QT-6
Draft 23	FRONT TURNING LIGHT	Part No.	YY50QT23000



NO.	Part NO.	Chinese Name	Description	QTY
1	YY50QT023001	前左转向灯	L. Front Turning Light Assy	1
2	YY50QT023002	前右转向灯	R. Front Turning Light Assy	1
3	YY50QT023003	前左转向灯罩	Len, L. Front Turning Light	1
4	YY50QT023004	前右转向灯罩	Len, R. Front Turning Light	1
5	YY50QT023005	转向灯灯泡12V10W	Bulb, Front Turning Light 12V10W	2
6	YY50QT023006	前左转向灯灯线	Wire Cable, L. Front Turning Light	1
7	YY50QT023007	前右转向灯灯线	Wire Cable, R. Front Turning Light	1

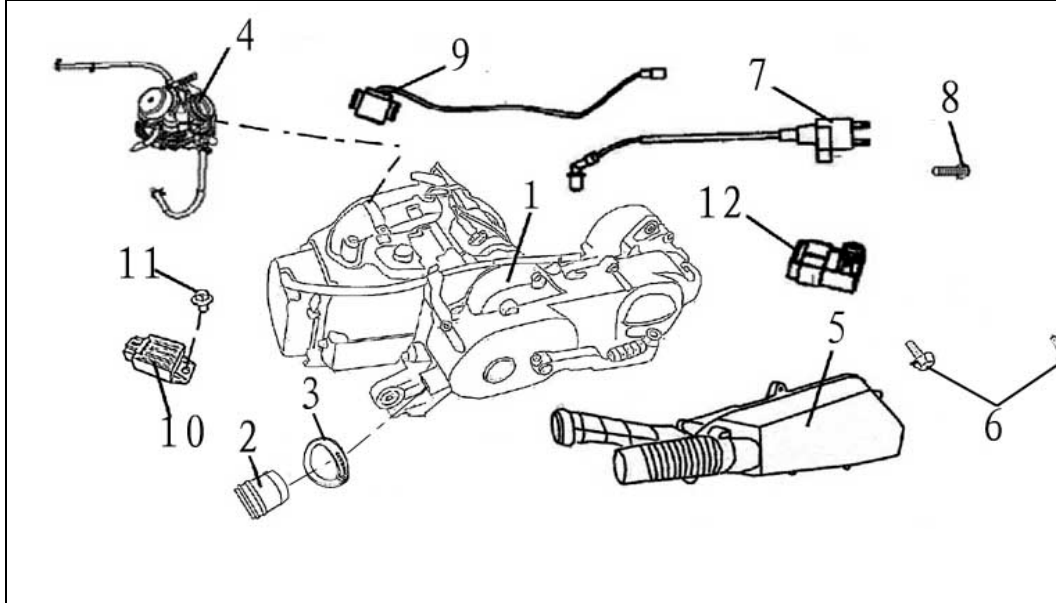
图 24	尾灯/后转向灯	Model	JONWAY 50QT-6
Draft 24	REAR LIGHT/REAR TURNING LIGHT	Part No.	YY50QT24000



NO.	Part NO.	Chinese Name	Description	QTY
1	YY50QT024000	后尾灯总成	Rear Light Assy	1
2	YY50QT024001	后尾灯罩	Len, Rear Light Assy	1
3	GB/T845-ST3.5×12	自攻螺钉ST3.5×12	Screw, Tapping ST3.5×12	2
4	YY50QT024002	后灯线	Wire Cable, Rear Light	1
5	YY50QT024003	后尾灯灯泡12V5W/21W	Bulb, Rear Light(12V5w/21w)	1
6	YY50QT024004	后转向灯灯泡12V10W	Bulb, Rear Turning Light (12V,10w)	2
7	GB/T5789-M6×12	法兰螺栓M6×12	Flange Bolt, M6×12	2
8	GB/T95-φ6	平垫圈 φ6	Plain Washer, φ6	4
9	GB/T6177.1-M6	法兰螺母M6	Flange Nut, M6	2
10	YY50QT024005	夹片4.2mm	Clamp, 4.2mm	4
11	YY50QT024006	方型后反光片	Rear Retro Reflecting Device	1
12	GB/T6177.1-M5	法兰螺母M5	Nut, M5	1

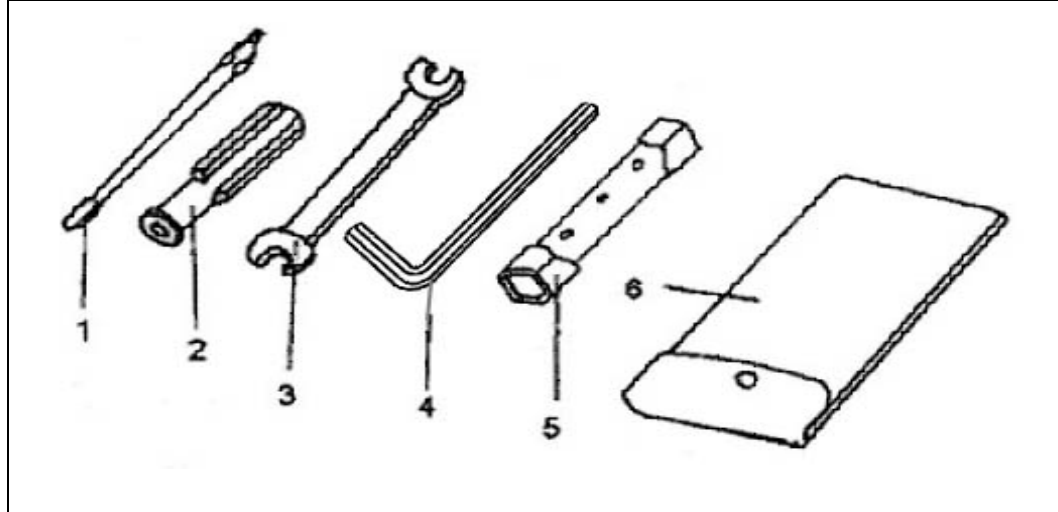


图 25	发动机总成/空滤器	Model	JONWAY 50QT-6
Draft 25	ENGINE COMP & AIR CLEANER	Part No.	YY50QT25000



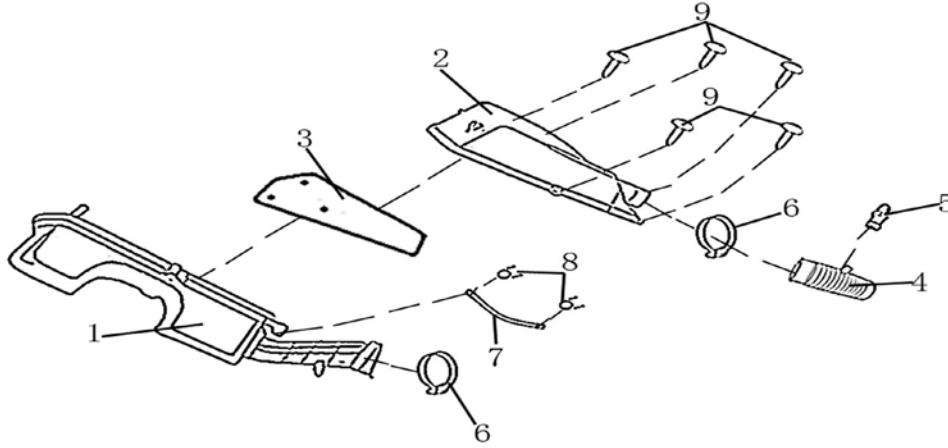
NO.	Part NO.	Chinese Name	Description	QTY
1	YY50QT025001	发动机总成	Engine Assy	1
2	YY50QT025002	吸风管	Air Inlet Pipe	1
3	YY50QT025003	卡箍	Clip	1
4	YY50QT025004	化油器	Carburetor Assy	1
5	YY50QT025005	空滤器	Air Cleaner Assy	1
6	GB/T5789-M6×28	法兰螺栓M6×28	Flange Bolt, M6×28	2
7	YYPT15025006	高压包	Ignition Coil Assy	1
8	GB/T818-M6×25	十字盘头螺钉M6×25	Screw, M6×25	1
9	YYPT15025007	继电器	Starter Relay	1
10	YYPT15025008	稳压器	Rectifier	1
11	GB/T6177.1-M6	法兰螺母M6	Flange Nut, M6	1
12	YYZL15025009	CDI(点火器)	CDI	1

图 26	随车工具	Model	JONWAY 50QT-6
Draft 26	TOOLS ASSY	Part No.	YY50QT26000



NO.	Part NO.	Chinese Name	Description	QTY
1	YYPT00026001	双头螺丝刀	Double Ended Screw Driver	1
2	YYPT00026002	起子手柄	Screw Driver Socket	1
3	YYPT00026003	8-10开口扳手	Double Ended Spanner 8-10	1
4	YYPT00026004	内六角扳手	Inner Hex Spanner	1
5	YYPT00026005	火花塞套筒	Spark Plug Socket	1
6	YYPT00026006	工具袋	Tools Bag	1

图 27	空滤器	Model	JONWAY 50QT-6
Draft 27	AIR CLEANER	Part No.	YY50QT27000



NO.	Part NO.	Chinese Name	Description	QTY
1	YY50QT027001	空滤器体	Body, Air Cleaner	1
2	YY50QT027002	空滤器盖	Cover, Air Ceaner	1
3	YY50QT027003	滤芯	Filter Core	1
4	YY50QT027004	通气管	Breather Tube	1
5	YY50QT027005	气管接头	Joint, Breather Tube	1
6	YY50QT027006	卡箍	Fixing Ring	2
7	YY50QT027007	出油管	Overflow Oil Tube	1
8	YY50QT027008	卡簧	Clip	2
9	GB/T845-ST4.8×16	自攻螺钉ST4.8×16	Screw, Tapping ST4.8×16	5