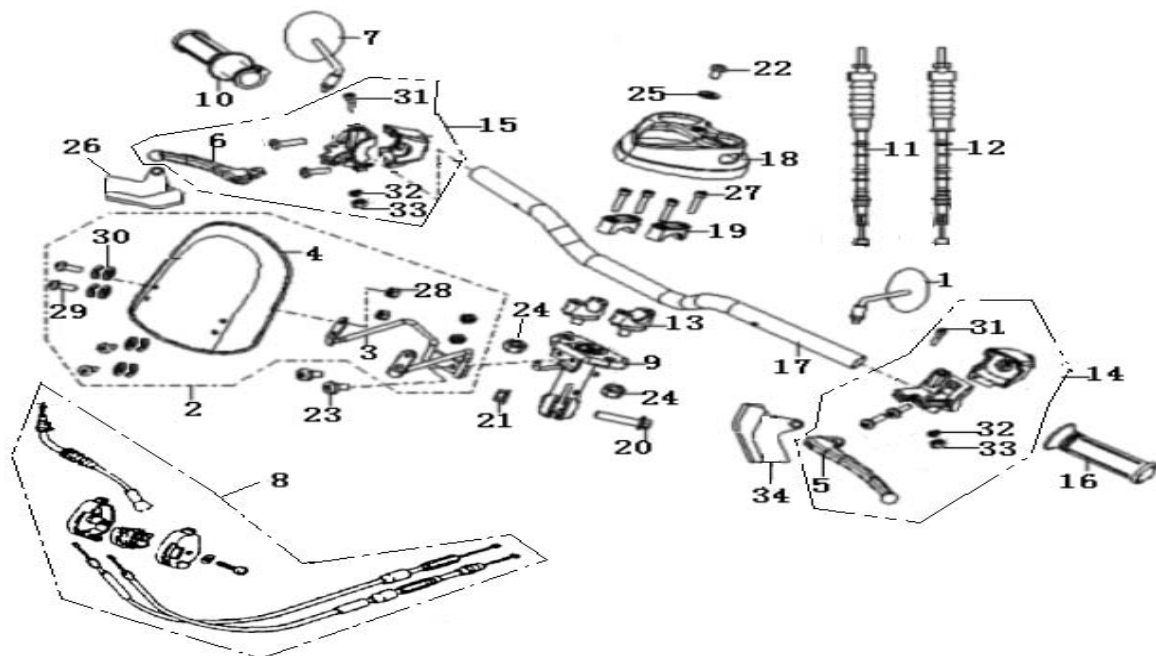


BODY PARTS LIST OF Venus

CONTROL ASSY.

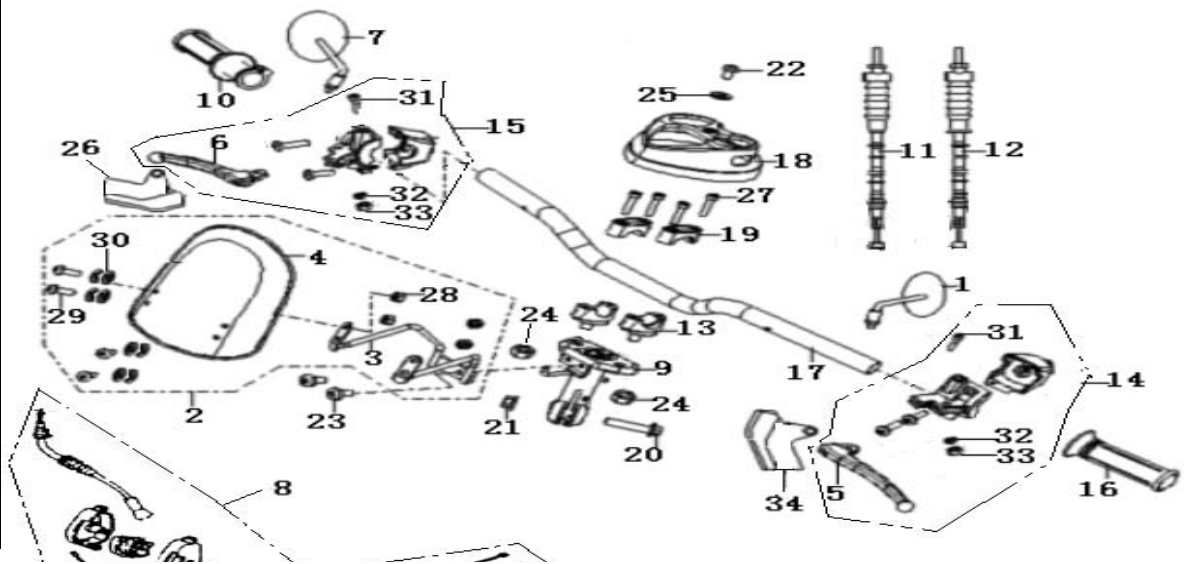
NO.	CODE	DESCRIPTION
1	40460B50T001	MIRROR ASSY, REAR VIEW, LH
2	65500B50T000	COWLING ASSY
3	65510B50T000	SKELETON ASSY, SUPPORT
4	65501B50T000	COWLING
5	40002B50T000	LEVER , L
6	40014B50T000	LEVER , R
7	40470B50T001	MIRROR ASSY, REAR VIEW, RH
8	40300B50T001	CABLE ASSY., THROTTLE
9	40180B50T000	MOUNTING SEAT, HANLEBAR
10	40210B50T001	GRIP ASSY, RH(BLACK)
11	40250B50T000	CABLE ASSY., FRONT BRAKE
12	40270B50T000	CABLE ASSY., REAR BRAKE
13	43013B50T000	BRACKET, HANDLEBAR, LOWER
14	40500B50T000	SWITCH ASSY., LH
15	40600B50T002	SWITCH ASSY., RH
16	40001B50T001	GRIP, LH(BLACK)
17	40101B50T000	HANLEBAR



18	43005B50T000	COVER, MOUNTING SEAT
19	43014B50T000	BRACKET, HANDLEBAR, UPPER
20	B01591004565	BOLT 10×1.25×45MM

CONTROL ASSY.

NO.	CODE	DESCRIPTION
21	B04171012555	NUT 10×1.25MM
22	B02000501225	SCREW 5×12MM
23	B01070601265	SCREW 6×12MM
24	B04171012555	NUT 10×1.25MM
25	B07030000505	WASHER 5
26	40008B0ET000	JACKET, BRAKE CABLE
27	B01070603064	BOLT 6×30MM
28	B04070500055	NUT 5MM
29	B02060501425	SCREW 5×14MM
30	65509B50T000	RUBBER WASHER
31	40015B50T000	SCREW
32	B07000000505	WASHER 5

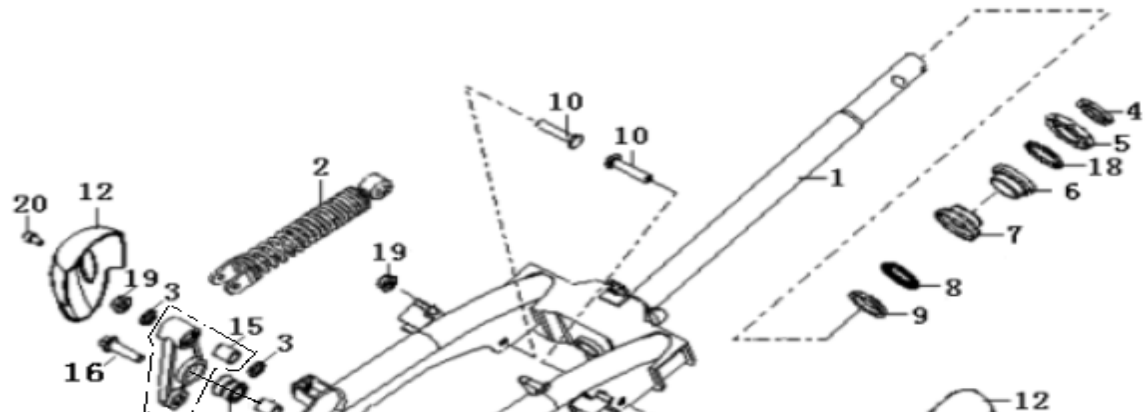


33	B04000500063	NUT 5MM
34	40007B0ET000	JACKET, LEVER L

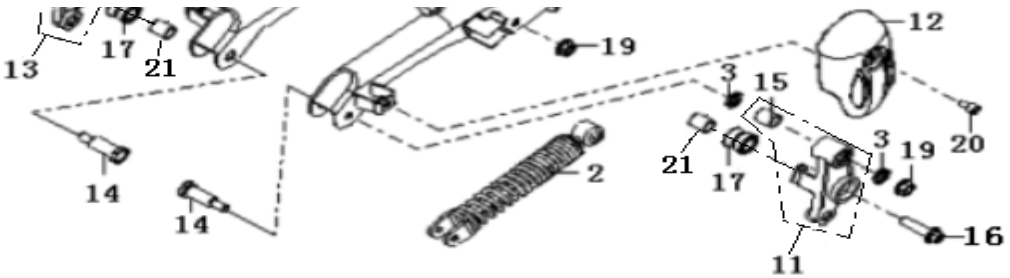


FRONT FORK ASSY.

NO.	CODE	DESCRIPTION
1	43100B50T000	LOWER BRACKET ASSY.
2	43200B50T000	FRONT CUSHION ASSY
3	43910B50T000	SEAL ASSY
4	43017J0ET000	NUT, STEERING STEM
5	43001B50T000	RACE, UPPER, UPPER BEARING
6	43002B50T000	RACE, LOWER, UPPER BEARING
7	43003B50T000	RACE, UPPER, LOWER BEARING

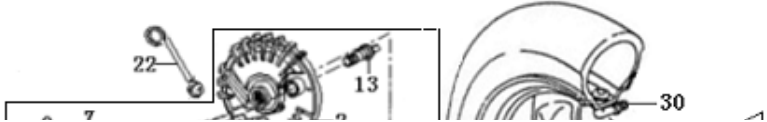


8	43131B50T000	RETAINER, BEARING
9	43004B50T000	RACE, LOWER, LOWER BEARING
10	08011B50T000	BOLT
11	43950B50T000	LEVER, LH. FRONT FORK
12	43012B50T000	DECORATION PLATE
13	43900B50T000	LEVER, RH. FRONT FORK
14	08012B50T000	BOLT
15	43902B50T000	BUSH
16	08013B50T000	BOLT
17	43904B50T000	WASHER, RUBBER
18	B06010110000	BALL, STEEL
19	B04070800055	NUT 8MM
20	B01090601664	BOLT 6×16MM
21	43901B50T000	BUSH

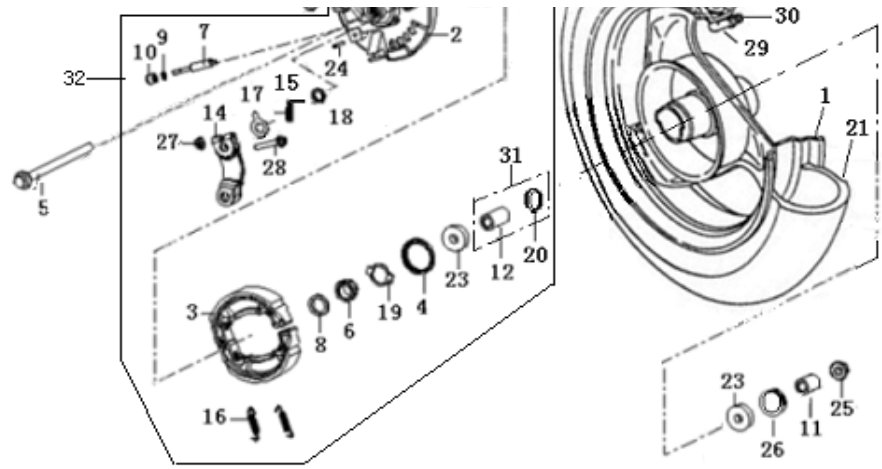


FRONT WHEEL ASSY.

NO.	CODE	DESCRIPTION
1	44100B50T001	RIM, FRONT WHEEL
2	44400B0AT000	PANEL ASSY.

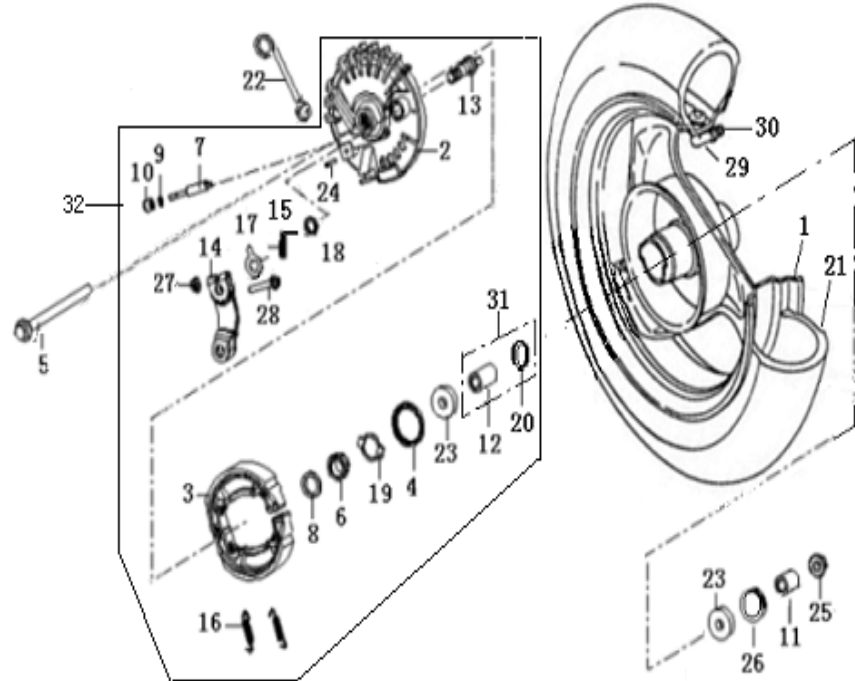


3	44500B0AT000	BRAKE SHOE
4	44300B0AT000	DUST SEAL
5	44004B50T000	AXLE, FRONT WHEEL
6	44201B0AT000	GEAR, SPEEDOMETER
7	44202B0AT000	PINION, SPEEDOMETER
8	44203B0AT000	WASHER, GEAR
9	44204B0AT000	WASHER, PINION
10	44205B0AT000	BUSH, PINION
11	44016B50T000	SPACER, RH.
12	44601B0AT000	BUSH, MID
13	44003B0AT000	CAMSHAFT, FR. BRAKE
14	44007B0AT000	LEVER, FR. BRAKE
15	44008B0AT000	SPRING, BRAKE RETURN
16	44001B0AT000	SPRING, BRAKE SHOE
17	44002B0AT000	INDICATOR, WEAR
18	44015B0AT000	SEAL, CAMSHAFT
19	44023B0AT000	PLATE, DRIVING
20	44602B0AT000	FLANGE SPACER



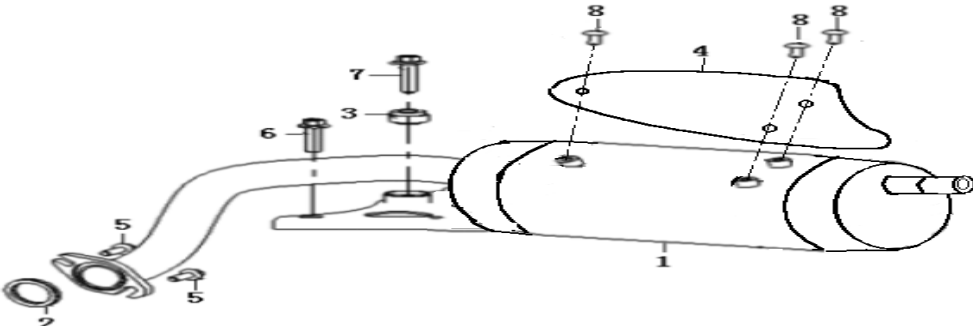
FRONT WHEEL ASSY.

NO.	CODE	DESCRIPTION
21	B140104F10AA	TIRE (90/90-10)
22	44019B50T000	CLIP
23	B12046020000	BEARING
24	B02020502025	SCREW 5×20MM
25	B04171012555	NUT 10×1.25MM
26	44300B50T000	OIL SEAL
27	B04170600055	NUT 6MM
28	B01010603525	BOLT 6×35MM
29	B1403Z201100	RIM , VALVE
30	B1404Z2011C0	CAP, VALVE
31	44600B0AT000	SPACER ASSY,FR.WHEEL
32	44002B50T01Z	PANEL ASSY.



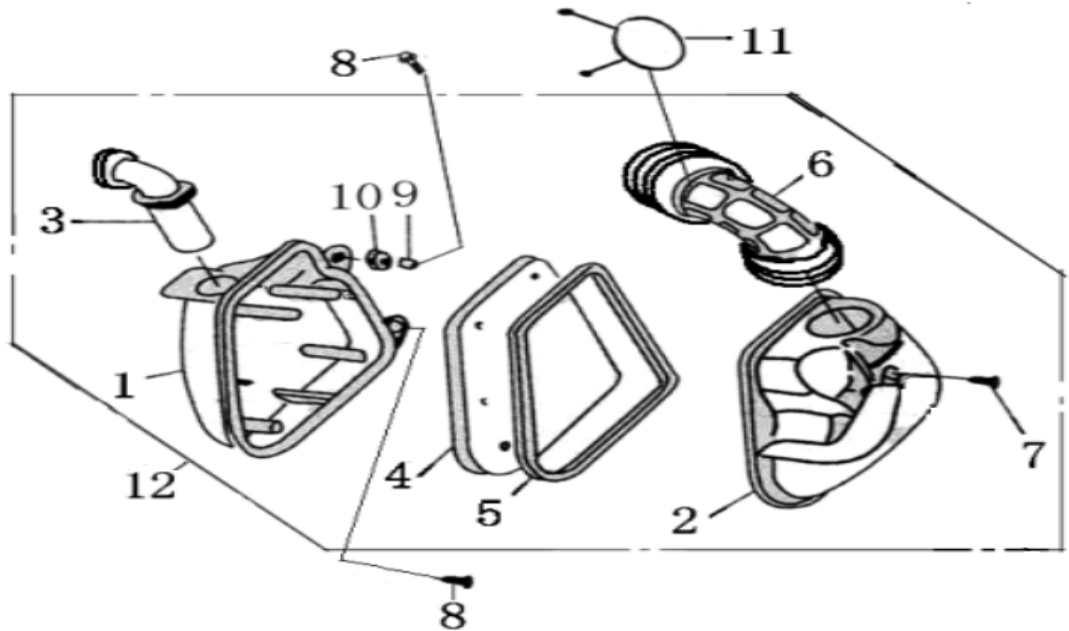
MUFFLER

NO.	CODE	DESCRIPTION
1	47100B0DT001	MUFFLER
2	47800B0DT000	GASKET,EXHAUST PIPE
3	47740B0ET000	BUSH ASSY
4	47760B0CT000	COVER,MUFFLER
5	B01070601665	BOLT 6×16MM
6	B01070802065	BOLT 8×20MM
7	B01070803065	BOLT 8×30MM
8	B01070600865	BOLT 6×8MM



AIR CLEANER ASSY.

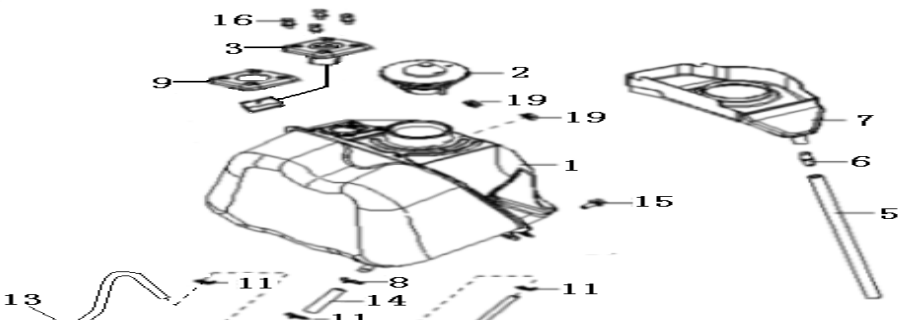
NO.	CODE	DESCRIPTION
1	49101B0AT000	CASE, AIR CLEANER
2	49001B0AT000	COVER, AIR CLEANER
3	49002B0AT000	GUIDE PIPE
4	49200B0AT000	FILTER
5	49013B0AT000	SEAL GASKET
6	49005B0AT000	CONNECTING PIPE
7	B05075002505	TAPPING SCREW
8	B13140602005	SCREW 6×20MM
9	49004B0AT000	BUSH
10	49022B0AT000	GROMMET
11	49016F0BT000	CLIP φ42.5
12	49000B0AT000	AIR CLEANER ASSY.

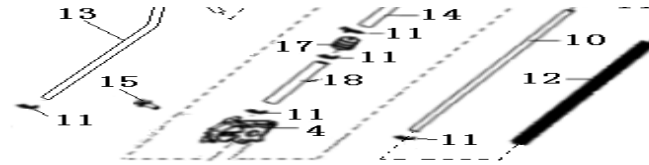


油箱总成 铁油箱

FUEL TANK ASSY.

NO.	CODE	DESCRIPTION
1	50100B50T001	FUEL TANK COMP.
2	50200B50T000	CAP, FUEL TANK
3	50800B50T000	GAUGE ASSY, FUEL LEVEL
4	50320B50T000	SHUTOFF ASSY., FUEL TANK
5	50012B50T000	PIPE, WATER 7×11×486
6	50013B50T000	CONNECT PIPE



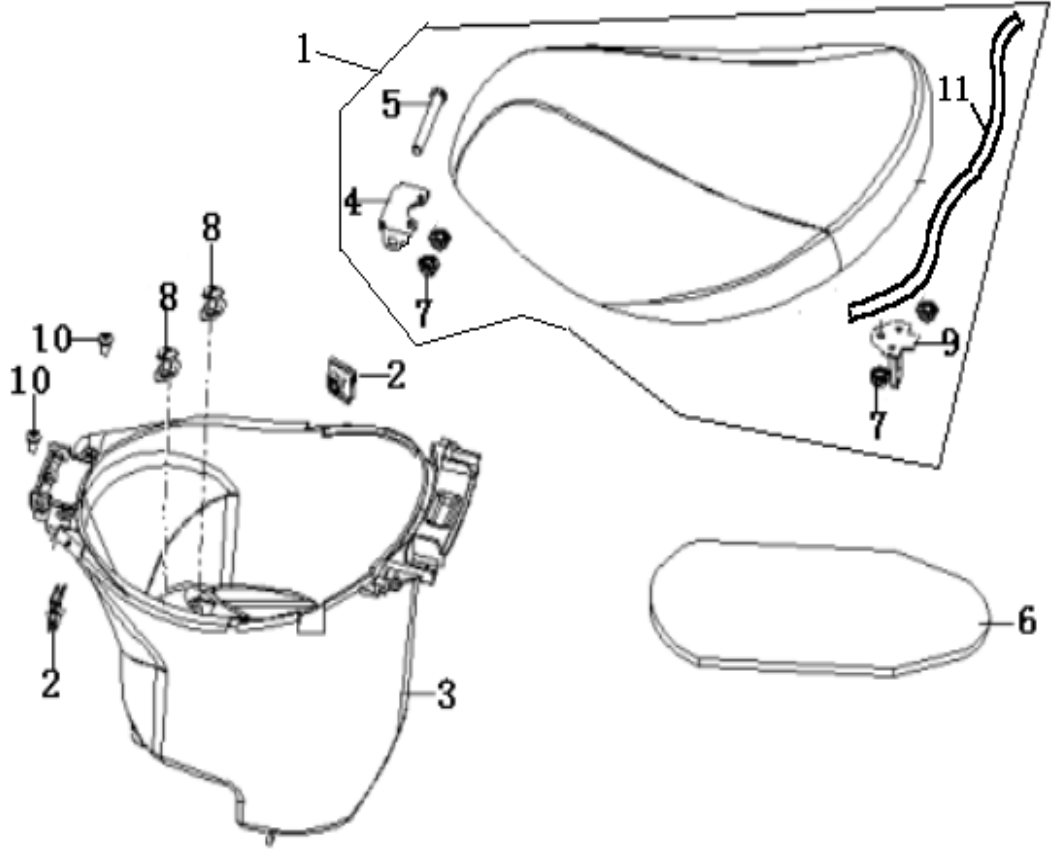


7	50011B50T000	CUSHION, ANTI-WATER
8	64002B50T000	CLIP 10.5
9	50004B50T000	RUBBER JOINT, GAUGE
10	50301B50T000	FUEL HOSE1, 4.5×8.5×300
11	50307J00P000	CLIP 8
12	50324B50T000	SPRING, AIR HOSE
13	50701B50T000	AIR HOSE-
13	B16010422801	FUEL HOSE φ4X2X280
14	50302B50T000	FUEL HOSE 2, 5×9×45
15	B01090601665	BOLT 6×16MM
16	B13140501405	BOLT ASSY. 5×14MM
17	50340B50T000	FILTER, FUEL
18	50303B50T000	FUEL HOSE 3, 4.5×8.5×140
19	B04070600055	NUT

SEAT ASSY.

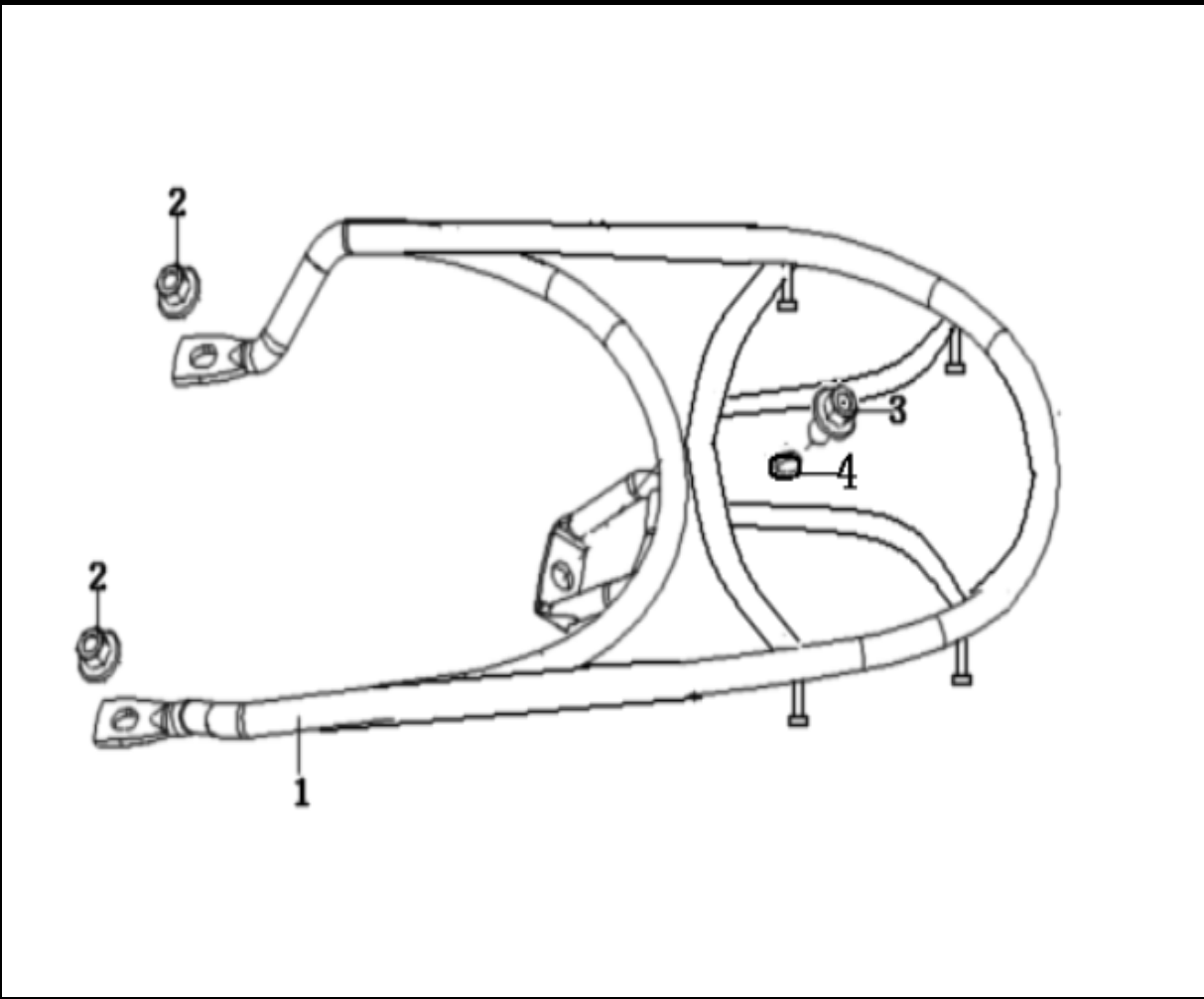
NO.	CODE	DESCRIPTION
-----	------	-------------

1	51100B50T000	SEAT COMP
2	65803J0ET000	NUT ASSY. 6MM
3	51004B50T000	LUGGAGE BOX
4	51083B50T000	PLATE, CONNECTING
5	51001B50T000	PIN, FIXING
6	51006B50T000	COVER, LOWER
7	B04070600053	NUT 6MM
8	B13060601605	BOLT ASSY. 6×16MM
9	51070B50T000	BRACKET COMP.
10	B05004801605	SCREW 4.8×16MM
11	51490B50T001	AIRPROOF STRIP



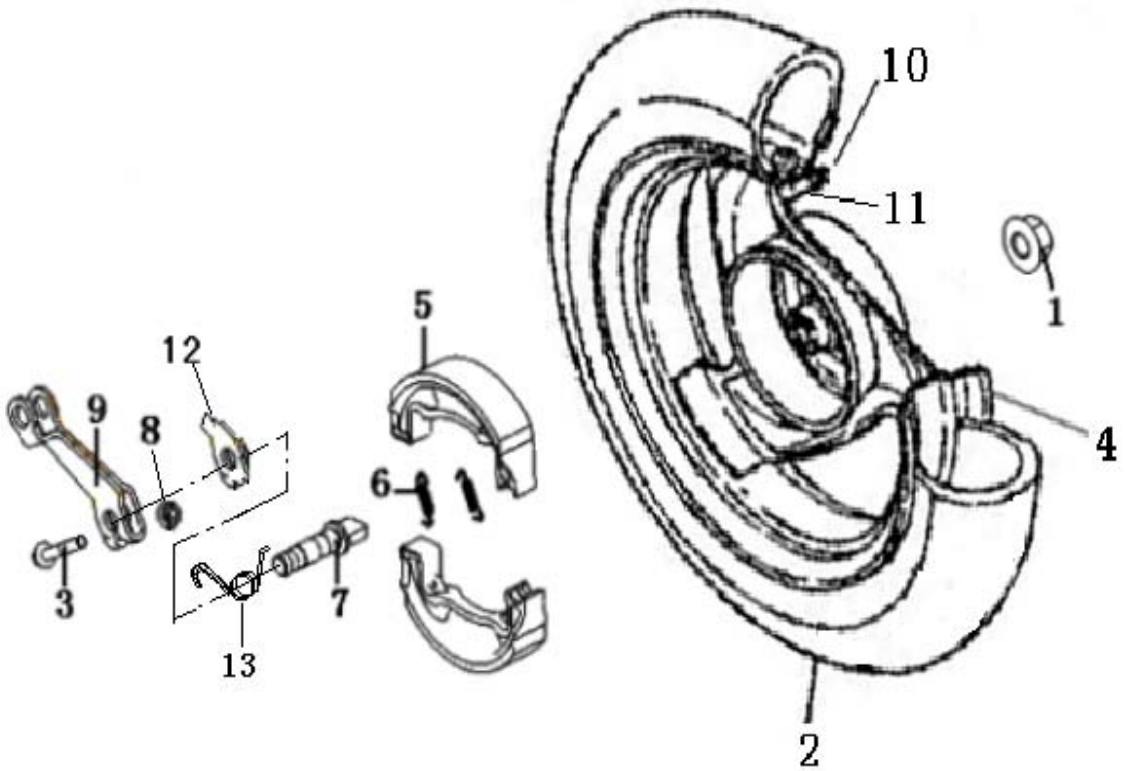
CARRIER ASSY.

NO.	CODE	DESCRIPTION
1	52100B50T000	BODY, REAR CARRIER.
2	B04070600055	NUT 6MM
3	B01070801664	BOLT 8×16MM
4	B07030000804	WASHER 8MM



REAR WHEEL ASSY.

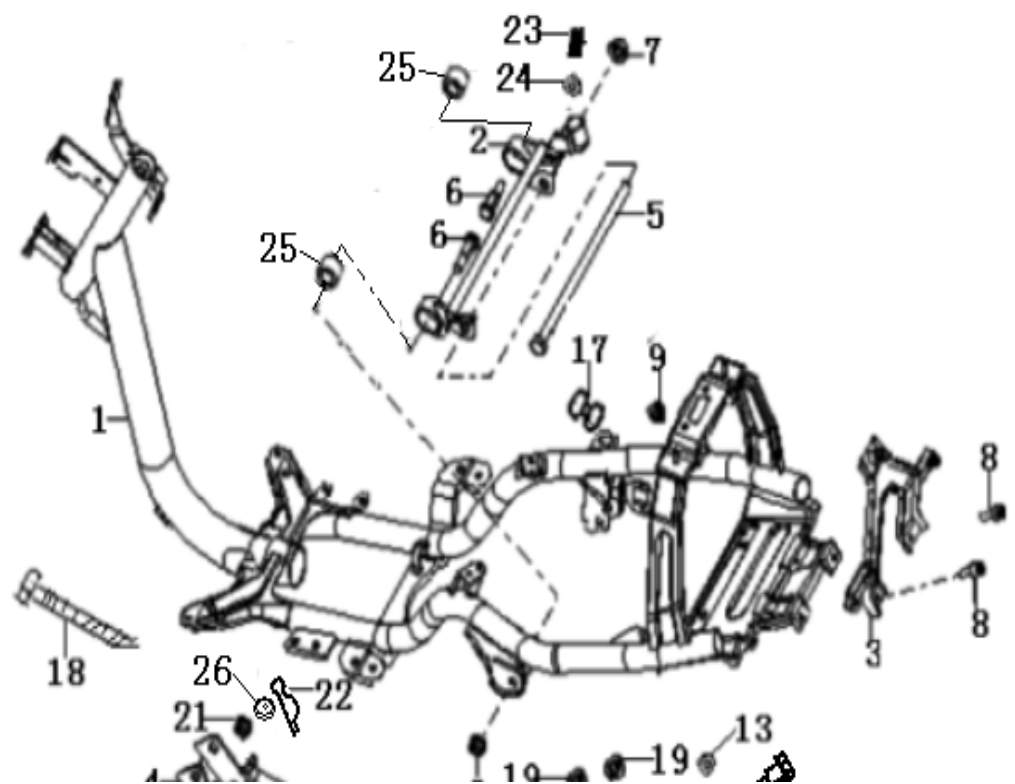
NO.	CODE	DESCRIPTION
1	B04171415054	NUT 14×1.5MM
2	B140104F10AA	TIRE (90/90-10)
3	B01020603265	BOLT 6×32MM
4	44100B50T001	RIM, FRONT WHEEL
5	44500B0AT000	BRAKE SHOE
6	44001B0AT000	SPRING, BRAKE SHOE
7	54003B0AT000	CAMSHAFT, RR.. BRAKE
8	B04170600055	NUT 6MM
9	54007B0AT000	LEVER, RR. BRAKE
10	B1404Z2011C0	CAP , VALVE
11	B1403Z201100	RIM , VALVE
12	54002B0AT000	INDICATOR WEAR
13	54008B50T000	TENSION SPRING



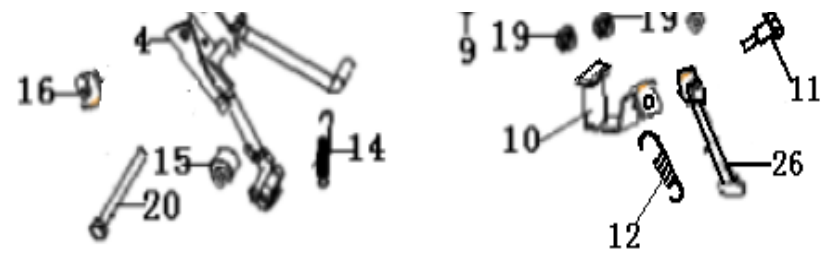
--	--	--

FRAME ASSY.

NO.	CODE	DESCRIPTION
1	57100B50T001	FRAME BODY ASSY.
2	58300B50T000	BRACKET, ENGINE
3	57760B50T000	BRACKET ASSY, REAR CARRIER
4	58520B0DT000	MAIN STAND ASSY
5	58303B50T000	SHAFT, ENGINE BRACKET
6	58301B50T000	MOUNTING BOLT, BRACKET
7	B04171212554	LOCK NUT M12×1.25
8	B01090601664	BOLT 6×16MM
9	B04171012555	NUT
10	58030B50T000	SIDE STAND SEAT.
11	57005B50T000	BOLT
12	57003B50T000	RETURN SPRING
13	58700B50T000	SIDE STAND ASSY.
14	58502B50T000	SPRING , MAIN STAND

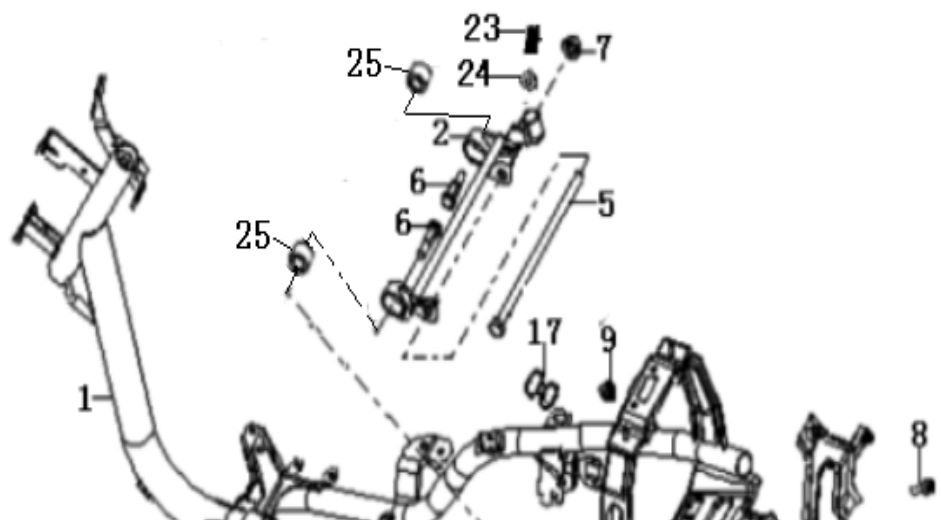


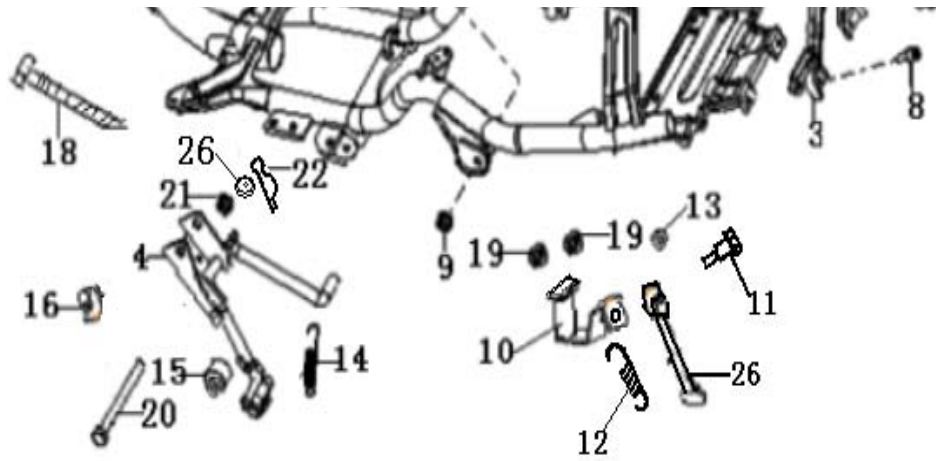
15	58507B50T000	ABSORBER PLATE,MAIN STAND
16	40022B0DT000	CLIP
17	57014B50T000	ABSORBER WASHER
18	96001B50T000	CLIP 250
19	B01090802065	BOLT 6×20MM
20	58501BJ0T000	AXLE, MAIN STAND



FRAME ASSY.

NO.	CODE	DESCRIPTION
21	58508B0DT000	WASHER
22	B09002502012	SPLIT PIN 2.5×20
23	58304B50T000	SPRING
24	58302B50T000	DAMPER
25	58340B50T000	BUFFER WASHER
26	B07020001005	WASHER 8MM

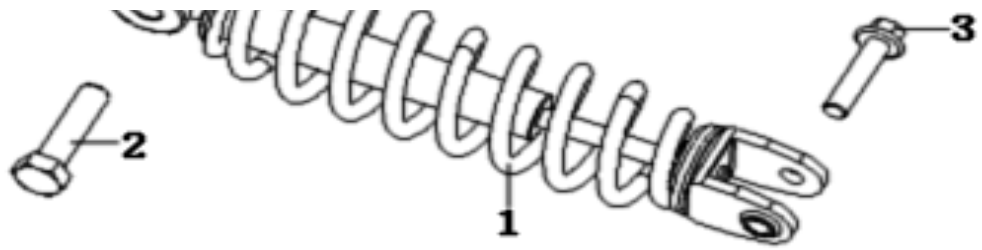




REAR SHOCK ABSORBER ASSY.

NO.	CODE	DESCRIPTION
1	63000B50T000	REAR CUSHION COMP.
2	08014JOET000	BOLT 10×1.25×40MM
3	B01070803265	BOLT 8×32MM
4	B04071012555	NUT 10×1.25MM

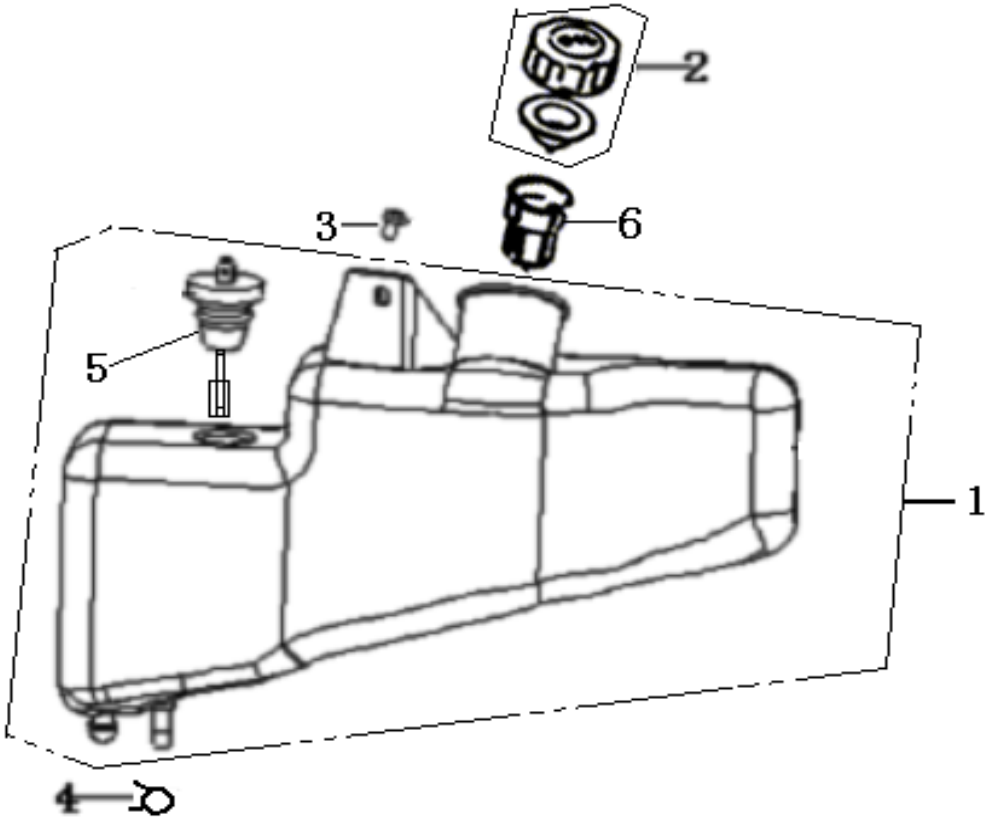




OIL TANK ASSY.

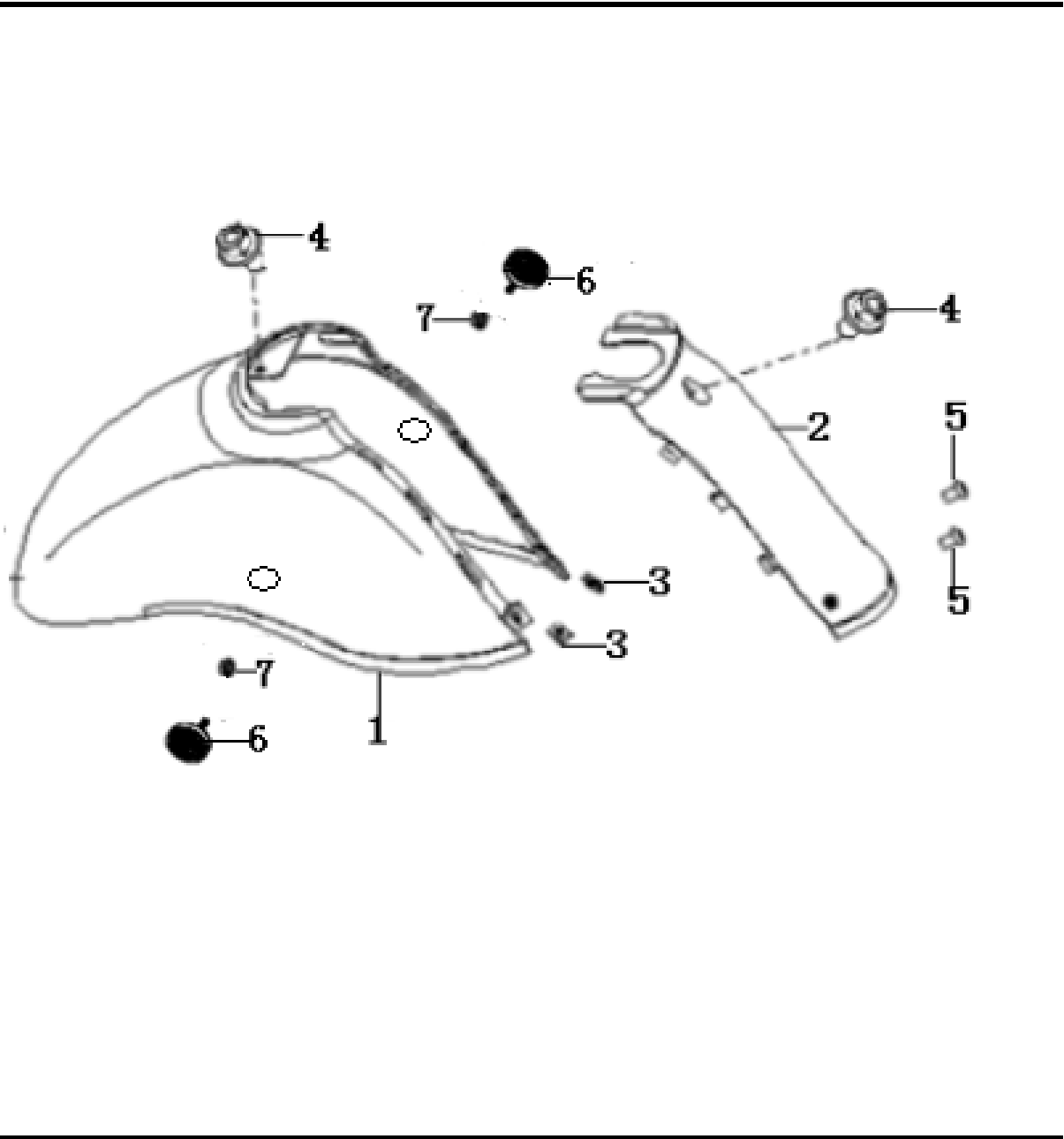
NO.	CODE	DESCRIPTION
-----	------	-------------

1	64001B50T000	CASE, OIL TANK
2	64090G0MP000	Cap assy., oil tank
3	B01090601665	BOLT 6×16MM
4	50307J00P000	CLIP 8
5	64100B50T000	GAUGE,OIL LEVEL
6	64050G0MP000	Filter assy.



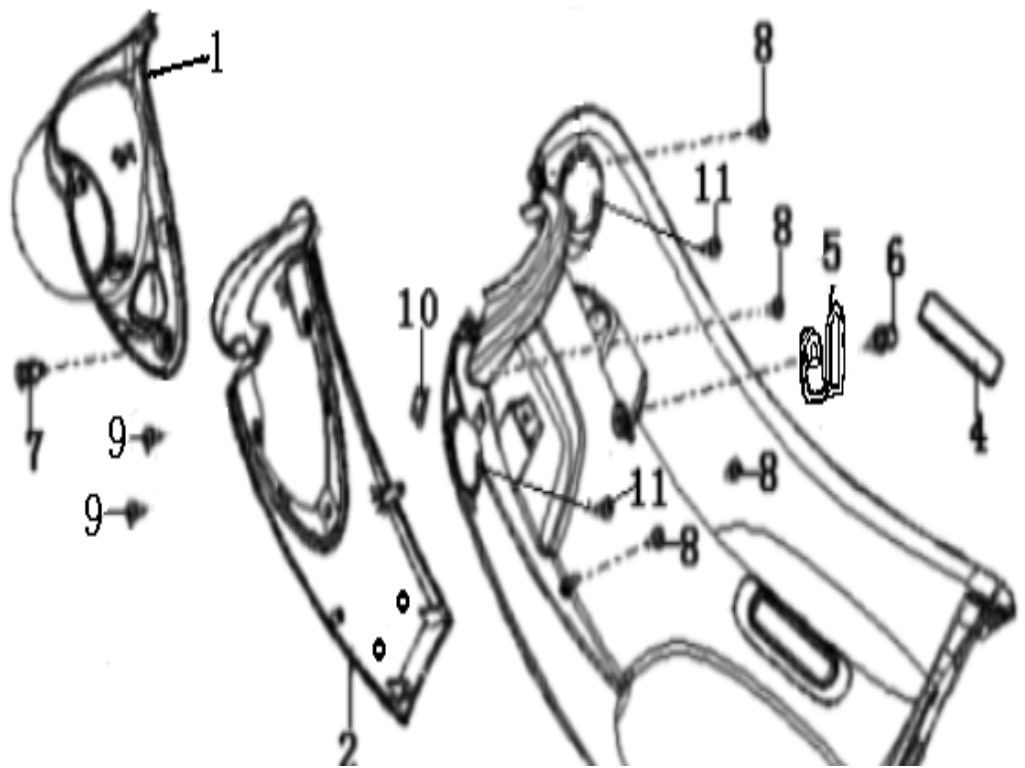
FRONT FENDER ASSY.

NO.	CODE	DESCRIPTION
1	65101B13BH00	FRONT FENDER,FR. BLACK
1	65101B13L700	FRONT FENDER,FR. BLUE
1	65101B13CA00	FRONT FENDER,FR. SILVER
1	65101B50TY10	FRONT FENDER,FR. YELLOW
1	65101B13RR00	FRONT FENDER,FR. RED
2	65106B13BH00	FRONT FENDER,RR. BLACK
2	65106B13L700	FRONT FENDER,RR. BLUE
2	65106B13CA00	FRONT FENDER,RR. SILVER
2	65106B50TY10	FRONT FENDER,RR. YELLOW
2	65106B13RR00	FRONT FENDER,RR. RED
3	65801J0ET000	CLIP, SCREW 4MM
4	B01090601665	BOLT 6X16MM
5	B05074001205	SCREW GB845
6	86300B0DT000	SIDE REFLEX REFLECTOR
7	B04070600064	NUT 6MM



FRONT COVER

NO.	CODE	DESCRIPTION
1	80004B13BH00	COVER, HEADLAMP BLACK
1	80004B13L700	COVER, HEADLAMP BLUE
1	80004B13CA00	COVER, HEADLAMP SILVER
1	80004B50TY10	COVER, HEADLAMP YELLOW
1	80004B13RR00	COVER, HEADLAMP RED
2	65301B05T000	COVER, FRONT BLUE
3	65302B13BH00	COVER, LOWER (WHITE) BLACK
3	65302B13L700	COVER, LOWER (WHITE) BLUE
3	65302B13CA00	COVER, LOWER (WHITE) SILVER
3	65302B50TY10	COVER, LOWER YELLOW
3	65302B13RR00	COVER, LOWER RED
4	65403B13BH00	CAP, FRAME NUMBER BLACK
4	65403B13L700	CAP, FRAME NUMBER BLUE
4	65403B13CA00	CAP, FRAME NUMBER SILVER
4	65403B50TY10	CAP, FRAME NUMBER YELLOW



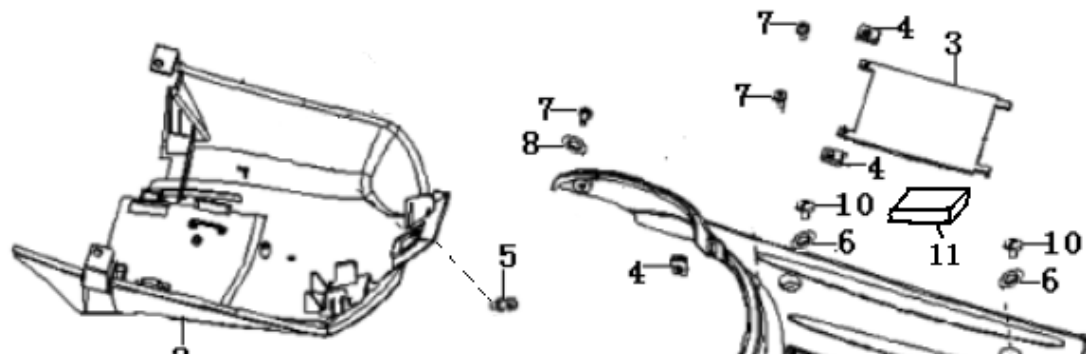
4	65403B13RR00	CAP, FRAME NUMBER RED
5	03310B50T000	HOOK, HELMET
6	B0206060252A	SCREW 6×25MM
7	B0206060252A	SCREW 6×25MM
8	B05004801205	SELF-TAPPING SCREW
9	B05075001205	SELF-TAPPING SCREW 5×12
10	B04070600055	NUT 6MM
11	B05070401205	SELF-TAPPING SCREW 4×12

2

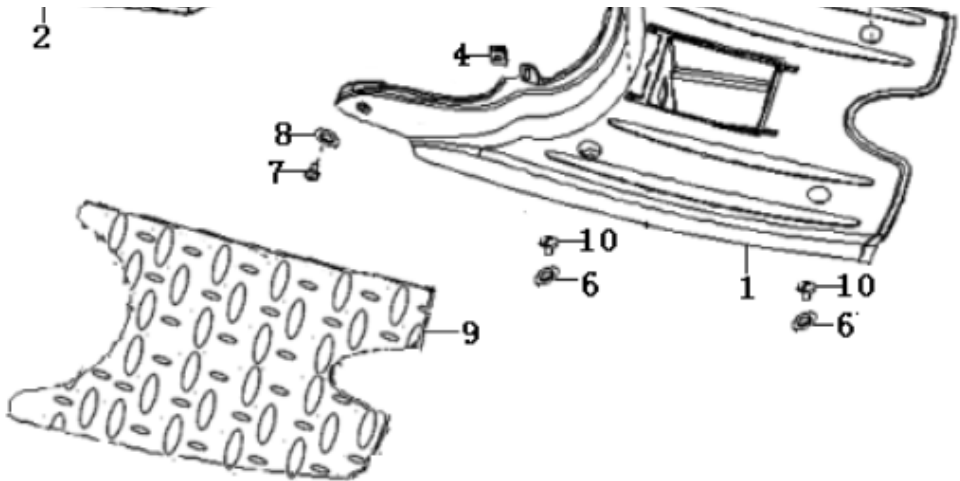


LEG SHIELD ASSY.

NO.	CODE	DESCRIPTION
1	65401B50T000	FOOTREST
2	65406B50T000	COVER, LOWER
3	65411B50T000	CAP, BATTERY
4	65801J0ET000	NUT 4MM
5	B13060601205	SCREW W/WASHER 6×12MM
6	B07020000605	WASHER 6MM



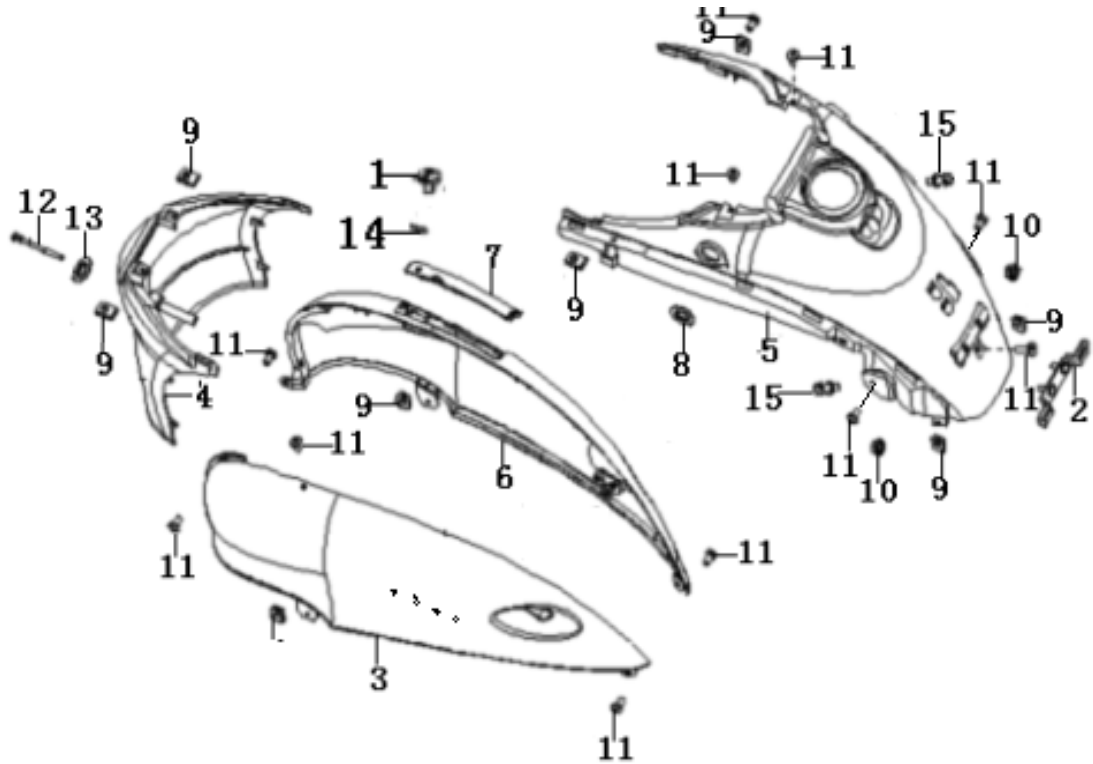
7	B05004201605	SCREW ST4.2×16
8	B07020000505	WASHER 5MM
9	65413B50T000	CUSHION, FOOTREST
10	B02000602025	SCREW 6×20MM
11	65811B50T000	BATTERY DAMPER



FRAME COVER ASSY.

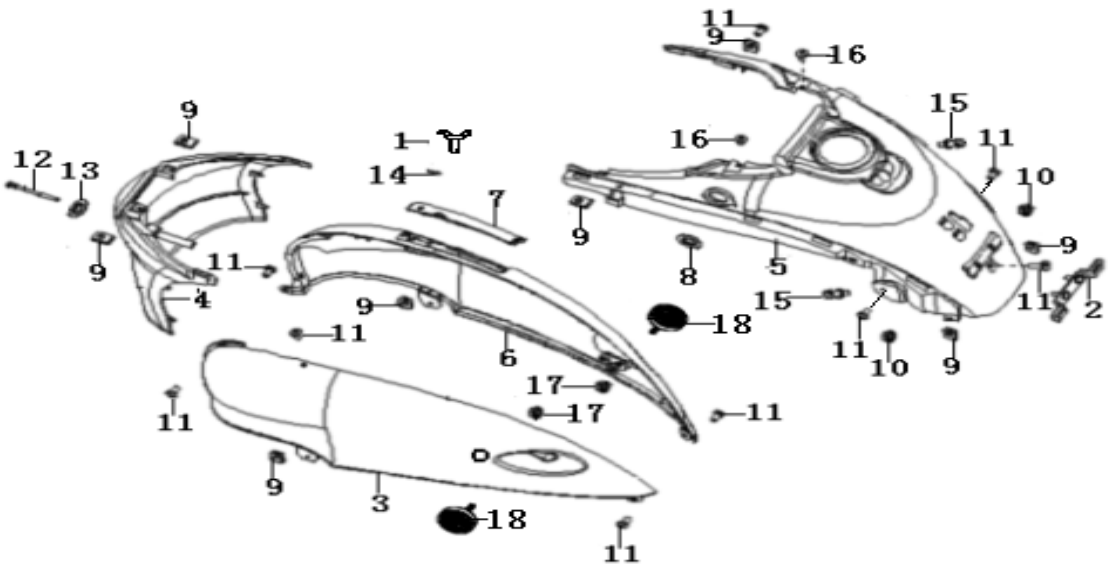
NO.	CODE	DESCRIPTION
1	08002B50T001	SCREW

2	08250B50T000	PLATE, NUMBER
3	65601B13BH01	SIDE COVER, LH BLACK
3	65601B13L701	SIDE COVER, LH BLUE
3	65601B13CA01	SIDE COVER, LH SILVER
3	65601B50TY11	SIDE COVER, LH YELLOW
3	65601B13RR01	SIDE COVER, LH RED
4	65605B50T000	COVER, FRONT
5	65606B50T000	COVER, TAIL WHITE
6	65602B13BH01	SIDE COVER, RH BLACK
6	65602B13L701	SIDE COVER, RH BLUE
6	65602B13CA01	SIDE COVER, RH SILVER
6	65602B50TY11	SIDE COVER, RH YELLOW
6	65602B13RR01	SIDE COVER, RH RED
7	65609B13BH00	COVER, OIL TANK BLACK
7	65609B13L700	COVER, OIL TANK BLUE
7	65609B13CA00	COVER, OIL TANK SILVER
7	65609B50TY10	COVER, OIL TANK YELLOW
7	65609B13RR00	COVER, OIL TANK RED



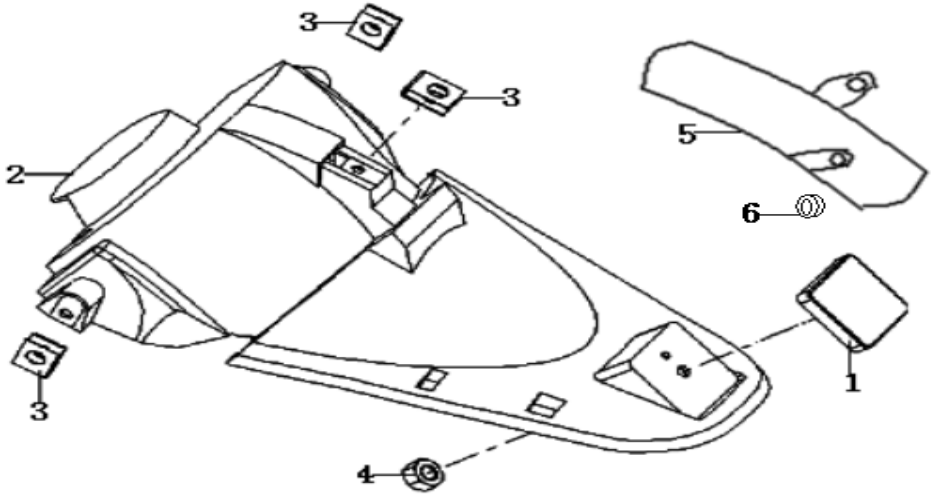
FRAME COVER ASSY.

NO.	CODE	DESCRIPTION
8	05201B50T000	DECORATION, SEAT LOCK
9	65801J0ET000	NUT 4MM
10	B04070600055	NUT 6MM
11	B05004201605	SELF-TAPPING SCREW ST4.2×16
12	B02000607025	SCREW 6×70MM
13	B07030000605	WASHER 6MM
14	B090303012A4	SPLIT PIN 3×12
15	B13060601605	SCREW W/WASHER 6×16MM
16	B05004801605	SELF-TAPPING SCREW ST4.8×16
17	B04070600055	NUT 6MM
18	86300B50T000	SIDE REFLEX REFLECTOR



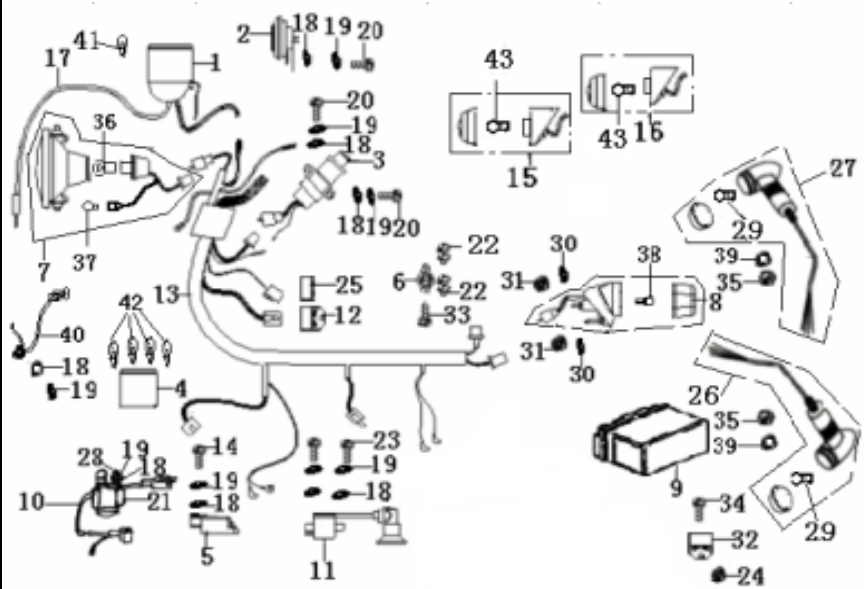
REAR FENDER ASSY.

NO.	CODE	DESCRIPTION
1	86500B50T000	REAR REFLECTOR ASSY.
2	65701B50T000	REAR FENDER
3	65801J0ET000	NUT 4MM
4	B04070500055	NUT 5MM
5	65702B50T000	TAIL,REAR FENDER
6	65711B50T000	BUSH



ELECTRIC I

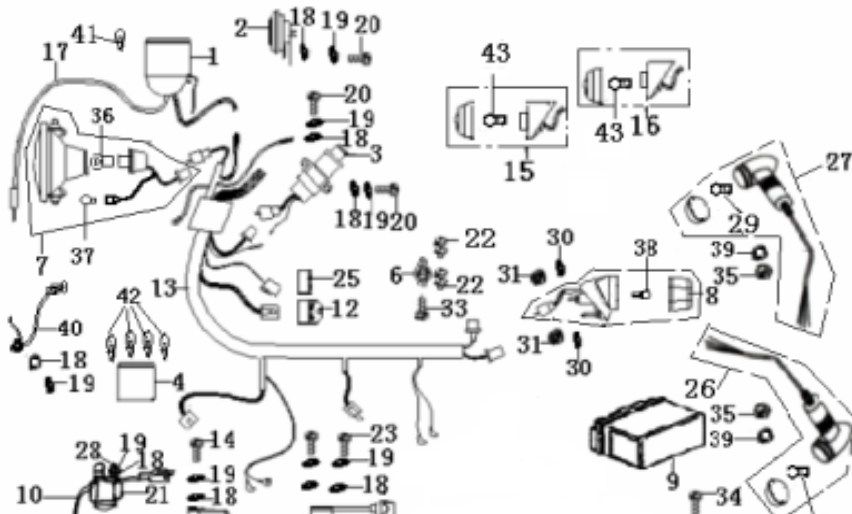
NO.	CODE	DESCRIPTION
1	72000B50T001	SPPEEDOMETER ASSY.
2	95000B50T000	HORN
3	88100B50T000	LOCK ASSY, POWER
4	77000B50T000	INDICATOR COMP.
5	98801B50T000	RECTIFIER
6	88800B50T000	LOCK ASSY, SEAT
7	80000B50T000	HEAD LAMP ASSY
8	82000B50T002	TAIL LAMP ASSY
9	96100B50T001	BATTERY
10	94000B50T000	RELAY, STARTER
10A	94100J000002	RELAY, STARTER
11	96200B50T000	COIL ASSY
12	96400B50T000	FLASHER
13	92000B130003	HARNES ASSY, WIRING
13	92000B13000C	HARNES ASSY, WIRING
14	B02000601625	SCREW 6×16MM



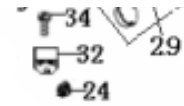
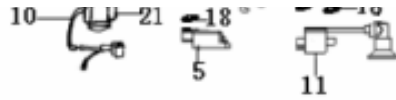
15	81100BM0T000	LAMP, TURN SIGNAL, L(DOT)
16	81300BM0T000	LAMP, TURN SIGNAL, R(DOT)
17	72900B50T000	CABLE, SPEEDOMETER
18	B07030000605	WASHER 6MM
19	B07000000605	WASHER 6MM
20	B02000601625	SCREW 6×16MM

ELECTRICAL EQUIPMENT ASSY.

NO.	CODE	DESCRIPTION
21	94008B50T000	COVER , RELAY, STARTER
22	B13060601605	SCREW W/WASHER 6×16MM
23	B02000602025	SCREW 6×20MM
24	B04070600055	NUT 6MM
25	96401B50T000	COVER, FLASHER
26	81500B50T000	FLASHER LIGHT, L
27	81700B50T000	FLASHER LIGHT, R
28	B04000600045	NUT 6MM
29	B24021021202	BULB, 12V/10W (YELLOW)

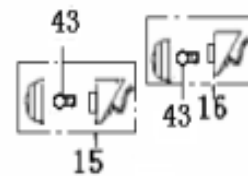
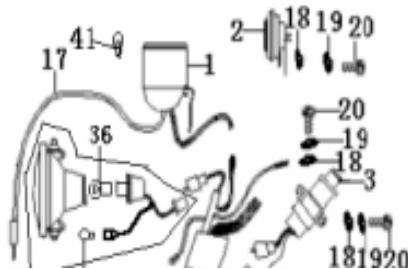


30	B07020000505	WASHER 5MM
31	B04000500045	NUT 5MM
32	97701B50T000	C.D.I.
33	B02000601625	SCREW 6×12MM
34	B01090602065	BOLT 6×20MM
35	B04000600045	NUT 6MM
36	80002B50T000	BULB , 12V/35/35W
37	80023B50T000	BULB , 12V/3W
38	B24020722301	BULB , 12V/21W/5W
39	B07020000605	WASHER 6MM
40	96900B50T000	WIRE, EARTH

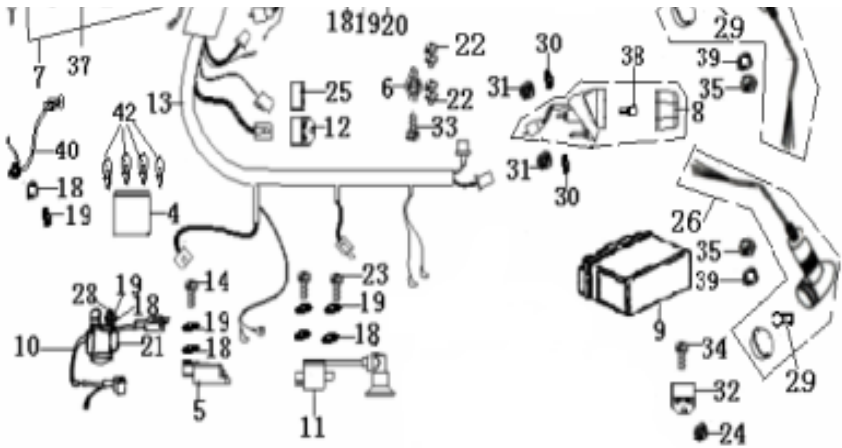


ELECTRIC I

NO.	CODE	DESCRIPTION
41	70001B50T000	BULB , 12V1.7W
42	70002B50T000	BULB , 12V2W
43	B24020521102	BULB, 12V/5W(YELLOW)
44	50200B50T000	CAP, FUEL TANK



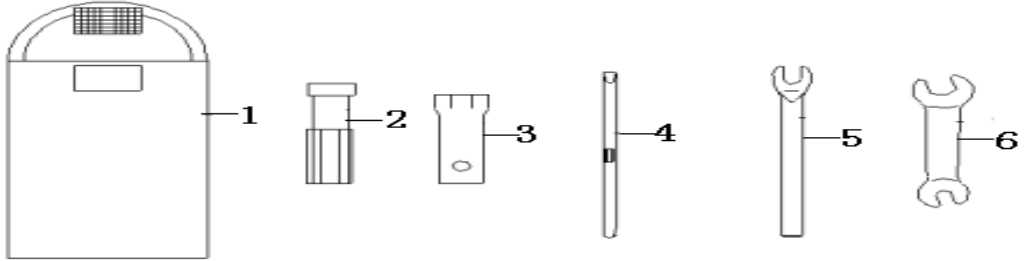
45	88000B50T000	LOCK ASSY.COMP.
46	92200G120000	ELECTRIC CABLE
47	B01090601065	BOLT M6×10



TOOL KIT ASSY.

NO.	CODE	DESCRIPTION
1	02110B50T000	BAG, TOOL KIT

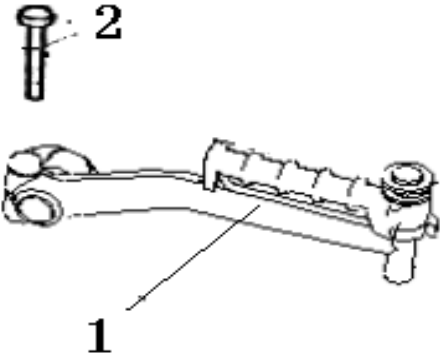
2	02104B50T000	HANDLE, SCREW DRIVER
3	02101B50T000	SOCKET, SPARK PLUG
4	02103B50T000	DRIVER, DOUBLE-ENDED
5	02108G0BP000	WRENCH
6	B20011001203	WRENCH, DOUBLE-ENDED



ENGINE ATTACHMENT

NO.	CODE	DESCRIPTION
1	08350B50T001	KICK STARTER ASSY.

2	B01020602565	BOLT 6X25MM



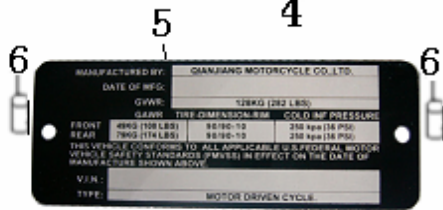
STICKER

NO.	CODE	DESCRIPTION
-----	------	-------------

1	05511B50T000	STICKER I , RR. SIDE COVER
2	65311B50T000	NIP NUT
3	05512B50T002	STICKER II , RR. SIDE COVER
4	05534B50T000	TYPE PASTER
5	57001B50T004	PLATE, LABEL
6	B10000300600	RIVET 3X6
7	05531B7CT001	THE OIL WARNING COVER
8	05529B50T000	MAKING PASTER
9	05531B130005	EPA PASTER
9	05531B130006	EPA PASTER
9	05568B03000A	EPA PASTER



TIRE PRESSURE INFORMATION		TIRE/RIM SIZE	
FRONT	1 PERSON	32PSI/2.3BAR	90/90-10 2.15-10
	2 PEOPLE	36PSI/2.5BAR	
REAR	1 PERSON	32PSI/2.3BAR	90/90-10 2.15-10
	2 PEOPLE	36PSI/2.5BAR	



ATTENTION

In order to perform your new motorcycle perfectly, please supply 2.5% special two stroke engine oil to the fuel before starting your new vehicle(100km).
Don't race your engine long time if you don't want to run.

Country of Origin Marking

Product: QJ YX1 S
Manufactured By: Qianjiang Motorcycle Co., Ltd.
MADE IN CHINA

VEHICLE EMISSION CONTROL INFORMATION
QIANJIANG YX1 S, INC.

THIS VEHICLE COMPLIES WITH THE FEDERAL MOTOR VEHICLE SAFETY STANDARDS (FMVSS) AND IS CERTIFIED TO 15 CALIF. REGS. (174185) AND 174186 (174187) IN EFFECT ON THE DATE OF MANUFACTURE SHOWN ABOVE.

ENGINE DISPLACEMENT: 49.3 CC
ENGINE FAMILY: QJ493 (EPA/CARB)
EMISSION FAMILY: QJ493F01A01
ENGINE EMISSION CONTROL SYSTEM: OIL, PAIR
ENGINE TUNING SPECIFICATIONS:
SOLE SYSTEM: HIGH VELOCITY
SPARK PLUGS: TORCH-ENERG
SPARK PLUG GAP: 0.4-0.5 MM
IGNITION TIMING: HIGH VELOCITY
SOLE SPEED: 1000 RPM IN NEUTRAL
FUEL: UNLEADED GASOLINE ONLY #1 (91-93) OCTANE
OR #89
OIL: SAE 30