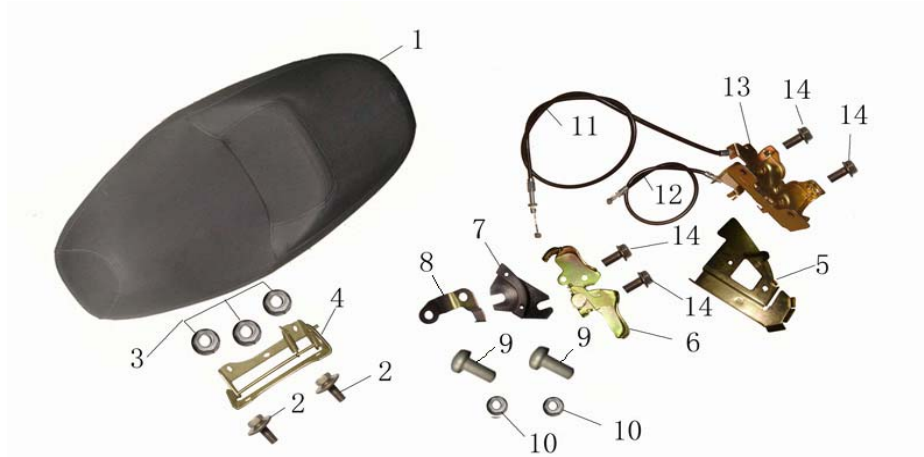


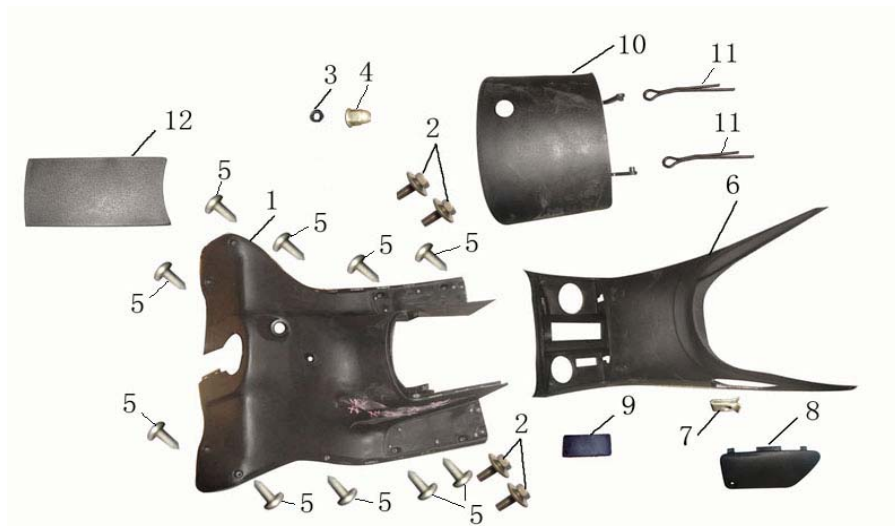
F-1座垫总成
Seat cushion



1	250T-B-002001	Seat cushion	1
2	GB5783-86	Bolt flange M6X20	2
3	GB6177-86	Nut flange M6	3
4	250T-B-002002	seat install board	1
5	250T-B-030004	protecting cover, seat lock	1
6	250T-B-031001	seat lock(rear)	1
7	250T-B-031002	seat lock block	1
8	250T-B-031003	seat lock block press board	2
9	GB818-85	Screw M5X12	2
10	GB6177-86	Nut flange M5	2
11	250T-B-050404	Seat lock acble(long)	1
12	250T-B-050405	Seat lock acble(short)	1
13	250T-B-030900	seat cock(front)	1
14	GB5787-86	Bolt flange M6X12	4

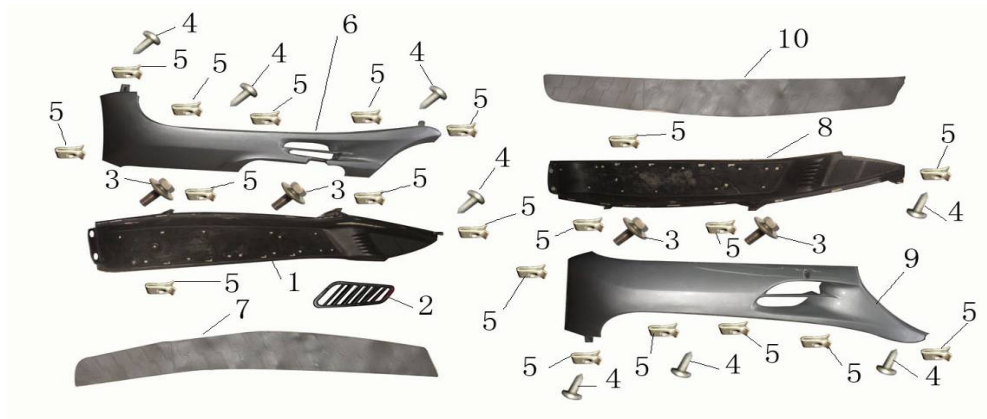
F-2 工具箱

Tool box



1	250T-B-050501	Tool box	1
2	GB9074.14-88	Screw with washer M6X16	4
3	GB96-85	Big washer 6-140HV	1
4	GB923-88	Cap nut M6	1
5	GB845-86	Screw tapping ST4.8X16	14
6	250T-B-050201	Fr cover, luggage	1
7	ZBT31084-87	Nut spring ST4.2	2
8	250T-B-050203	small clap,luggage box Fr cover	1
9	250T-B-050503	Number cover	1
10	250T-B-050202.1	Lock cover, fuel luggage	1
11	250T-B-050202.2	Split pinφ2X25	2
12	250T-B-050502	connecting cover , tool box	1

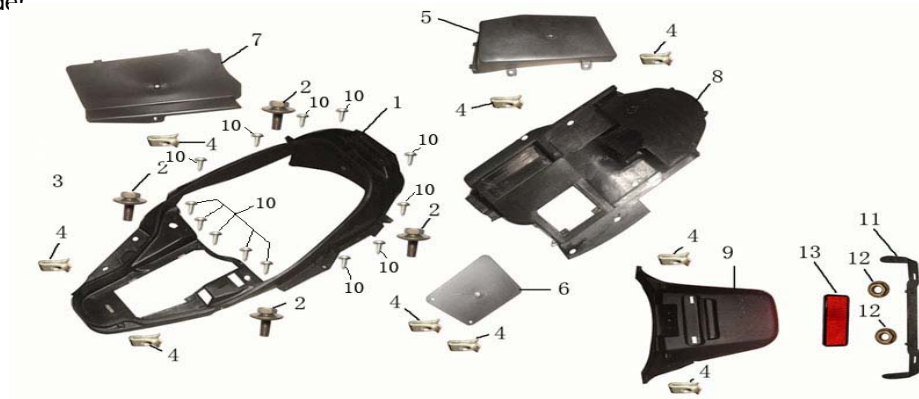
F-3 脚踏板
Floor Panel



1	250T-B-050006	L foot board	1
2	250T-B-050008	L windage clapboard	1付
3	GB9074.14-88	Screw with washer M6X20	4
4	GB845-86	Screw tapping ST4.8X16	8
5	ZBT31084-87	Nut spring ST4.2	20
6	250T-B-050001	L protector	1
7	250T-B-050011	L footskin	1
8	250T-B-050007	R foot board	1
9	250T-B-050002	R protector	1
10	250T-B-050012	R footskin	1

F-4 杂物箱&后挡泥板

Luggage box & Rr fender



1	250T-B-050301	Outer cover,luggage box	1
2	GB9074.14-88	Screw with washer M6X16	4
3	GB845-86	Screw tapping ST4.8X16	5
4	ZBT31084-87	Nut spring ST4.2	9
5	250T-B-050303.1	battery cover	1
6	250T-B-050303.3	inner cvoer,luggage box(small)	1
7	250T-B-050303.2	inner cvoer, luggage box	1
8	250T-B-050302	Luggage box	1
9	250T-B-050304	Rr fender	1
10	GB845-86	Screw tapping ST4.2X13	13
11	GB6170-86	Nut M6	2
12	250T-B-050305	license bracket	1
13	250T-B-050306	Reflector (Special)	1

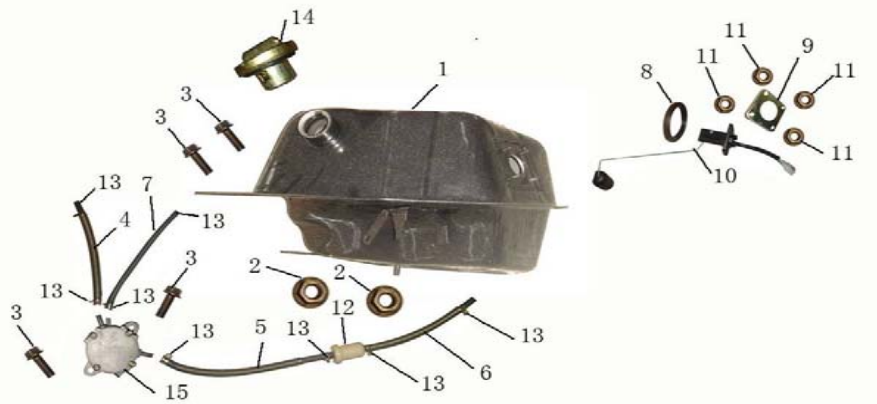
F-5 前大板&前挡泥板

Front cover & Fr fender



1	250T-B-050101	Front cover	1
2	GB845-86	Screw tapping ST4.8X16	8
3	ZBT31084-87	Nut spring ST4.2	11
4	250T-B-050010	Frame fender	1
5	250T-B-050009	Fr fencer Rr	1
6	GB9074.14-88	Screw with washer M6X16	4
7	250T-B-050102	R/L reflector	2
8	GB6177-86	Nut flange M6	2

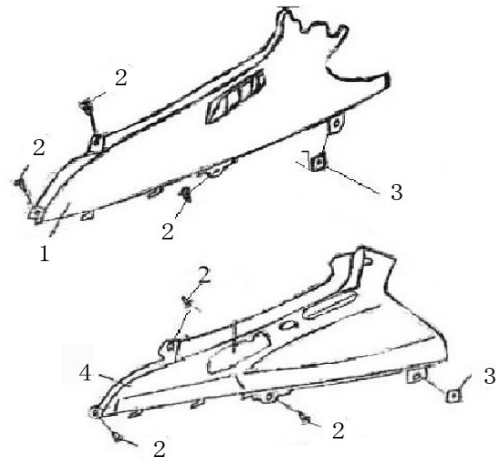
F-6 油箱总成
Fuel tank



1	250T-B-060100	Fuel tank	1
2	GB6177-86	Nut flange M8	2
3	GB5787-86	Blot flange M6X20	4
4	250T-B-060003.1	Oil pipe A	1
5	250T-B-060003.2	Oil pipe B	1
6	250T-B-060003.3	Oil pipe C	1
7	250T-B-060004	Vacuum tube	1
8	250T-B-060002	Retainer fuel Sealed ring	1
9	250T-B-060001	Retainer fuel unit	1
10	250T-B-060200	Fuel sensor	1
11	GB6177-86	Nut flange M5	4
12	250T-B-060400	Fuel filter	1
13	250T-B-060005	oil pipe spring	8
14	250T-B-060500	oil box cover combination	1
15	250T-B-060300	Fuel pump	1

F-7左右装饰板

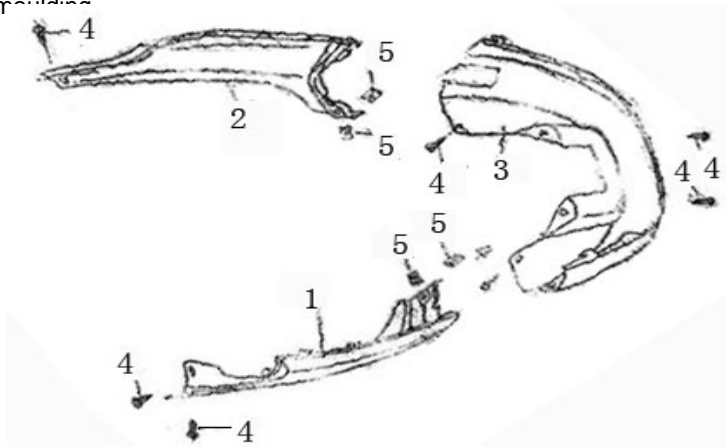
L/R body side cover



1	250T-B-050401	R body side cover	1
2	GB845-86	Screw tapping ST4.8X16	6
3	ZBT31084-87	Nut spring ST4.2	2
4	250T-B-050402	L body side cover	1

F-8左右护条&后护条

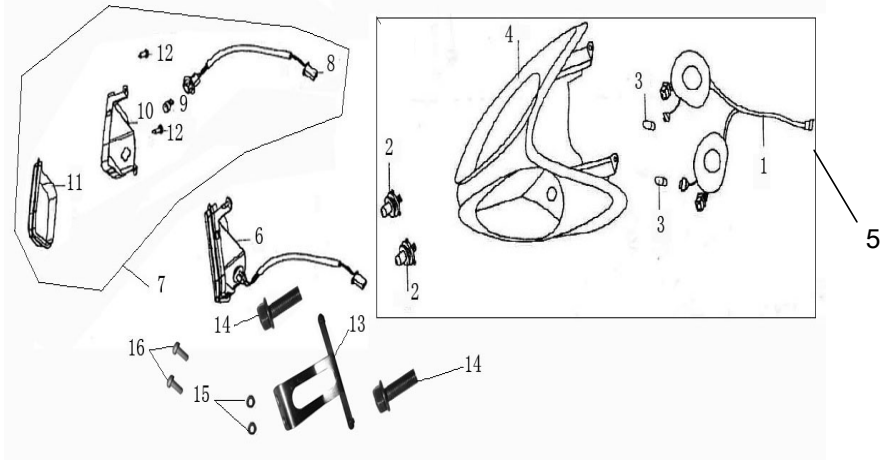
R/L moulding & Rr moulding



1	250T-B-050003	L rear moulding	1
2	250T-B-050004	R rear moulding	1
3	250T-B-050005	Rr moulding	1
4	GB845-86	Screw tapping ST4.8X16	7
5	ZBT31084-87	Nut spring ST4.2	4

F-9前大灯&左右转向灯

Headlight & R/L direction indicator



1	250T-B-050103.1	Headlight holder	1
2	GB15766.1-1995	Headlight bulb12V 18W	2
3	GB/T15766.3-1995	Sideleght bulb 12V 3W	2
4	250T-B-050103.2	Headlight cover comp	1
5	250T-B-050103	headlight	1
6	250T-B-050105	Winker cop L, Fr	1
7	250T-B-050106	Winker cop R, Fr	1
8	250T-B-050106.1	Light Holder	1
9	GB15776.1-1995	Bulb 12V 5W	1
10	250T-B-050106.2	Bulb Bowl	1
11	250T-B-050106.3	Bulb case	1
12	GB845-85	Tapping screw ST4.2X16	2
13	250T-B-050104	headlight bracket	
14	GB5787-86	Blot flange M6X12	2
15	GB96-85	Big washer 6-140HV	1
16	GB818-85	Screw M6X12	2

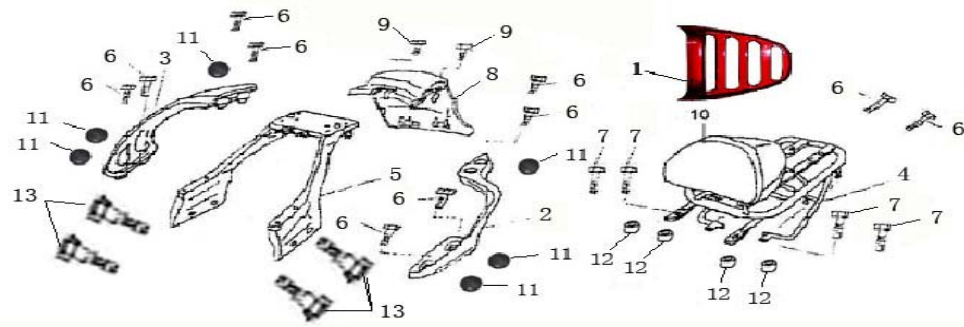
F-10 尾灯总成
Tail light assembl



1	250T-B-050307	Tail light assy.	1
2	GB9074.14-88	Screw with washer M6X16	5
3	GB96-85	Big washer 6-140HV	4
4	GB845-86	Screw tapping ST4.8X16	3
5	250T-B-050308	taillight connection board	2
6	ZBT31084-87	Nut spring ST4.2	2

F-11 后货架&后扶手

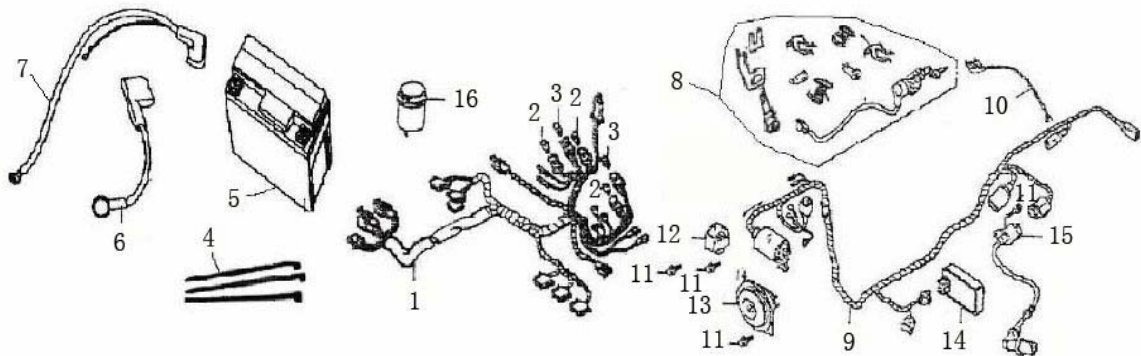
Rear rack & Rear grip



1	250T-B-003004	Outer cover,Luggage	1
2	250T-B-003001	Left rear grip	1
3	250T-B-003002	Right rear grip	1
4	250T-B-003003	Rear rack	1
5	250T-B-030300	Buacket,tail light	1
6	GB5787-86	Blot flange M8X35	10
7	GB5787-86	Blot flange M8X40	2
8	250T-B-050403	Rr body side cover	1
9	GB5787-86	Blot flange M6X12	2
10	250T-B-003005	Rr backrest	1
11	250T-B-003007	rear hual hole	6
12	250T-B-003006	rear goods bush	2
13	GB5787-86	Blot flange M10X50	4

F-12 主电缆

Main cable



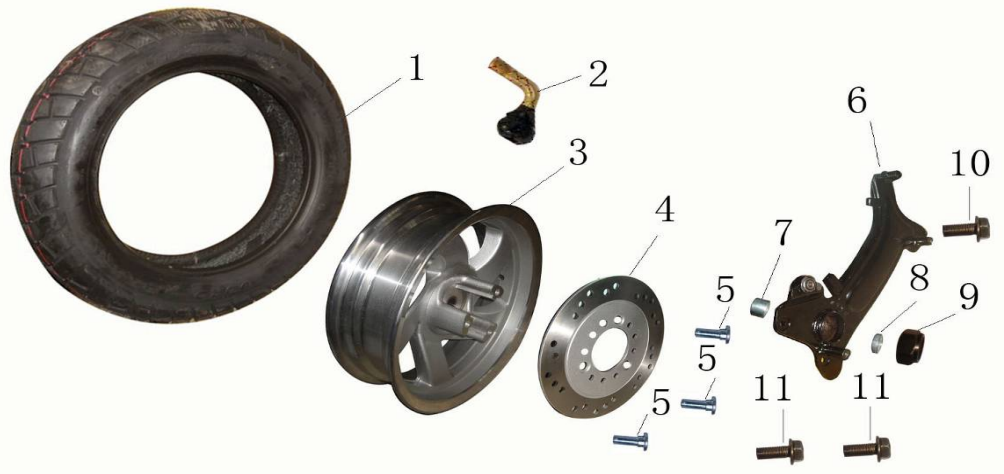
1	250T-B-070700	Wire harness, sub	1
2	250T-B-070700.1	Instrument light A 12V/1.7W	3
3	250T-B-070700.2	Instrument light B 12V/1.7W	3
4	250T-B-090010	Wrap	1套
5	250T-B-070200	Battery	1
6	250T-B-070004	Anode cable	1
7	250T-B-070003	Cathode cable	1
8	250T-B-030001	Seat lock	1
9	250T-B-070100	Main cable	1
10	250T-B-070600	Starting comp Relay	1
11	GB5787-86	Bolt flange M6X20	4
12	250T-B-070002	Rectifier	1
13	250T-B-070500	Horn	1
14	250T-B-070400	C.D.I	1
15	250T-B-070300	High tension ignition coil	1
16	250T-B-070001	Flasher	1

F-13 前轮
Front wheel



1	250T-B-010001	Fr wheel Axle $\phi 12 \times 245$	1
2	250T-B-010002	fr wheel bush	1
3	250T-B-010203	vacual tire 110/90-12	1
4	250T-B-010201.1	Dust seal	1
5	GB276-64	Bearing 6201	2
6	250T-B-010201.2	Fr wheel axle, collar	1
7	250T-B-010201.3	front-wheel hub	1
8	250T-B-010201	Fr wheel panel MT2.75X12	1
9	250T-B-010202	Valve cock	1
10	250T-B-010205	Dis brake srew , Fr	6
11	250T-B-010204	Fr disc brake plate	1
12	250T-B-010300	driver	1
13	250T-B-020300	speedomter cable	1
14	GB6177-86	Flange Nut M12	1

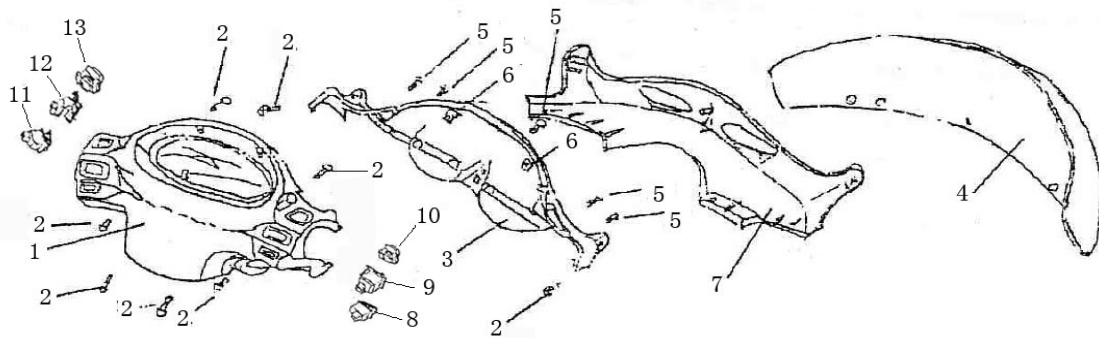
F-14 后轮
Rear wheel



1	250T-B-010203	vacual tire 110/90-12	1
2	250T-B-010202	Valve cock	1
3	250T-B-040200	Rear rim MT3.5X12	1
4	250T-B-040402	Rr disc brake plate	1
5	250T-B-040403	Inner hes bolt M8X25	6
6	250T-B-040300	Connecting board	1
7	250T-B-040002	Rr wheel bush (ling)	1
8	250T-B-040003	Rr wheel bush (short)	1
9	GB6187-86	Nut flange locked M16X1.5	1
10	GB5787-86	Blot flange M8X25	1
11	GB5787-86	Blot flange M8X30	2

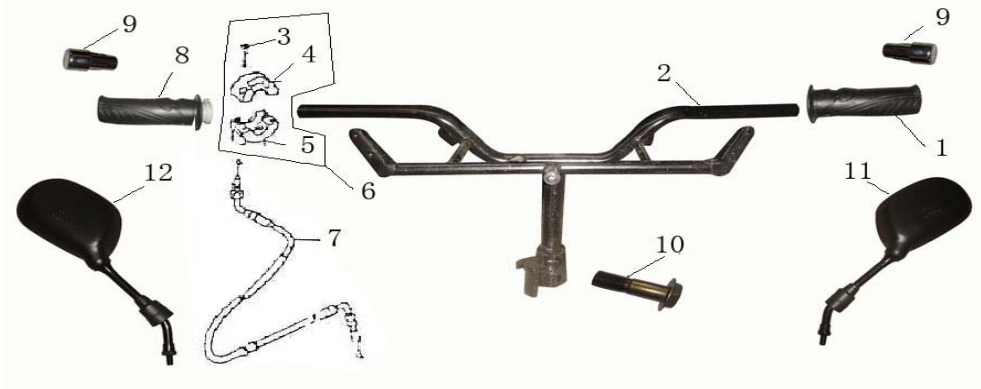
F-15 仪表护壳组合

Guide shell set of instrument



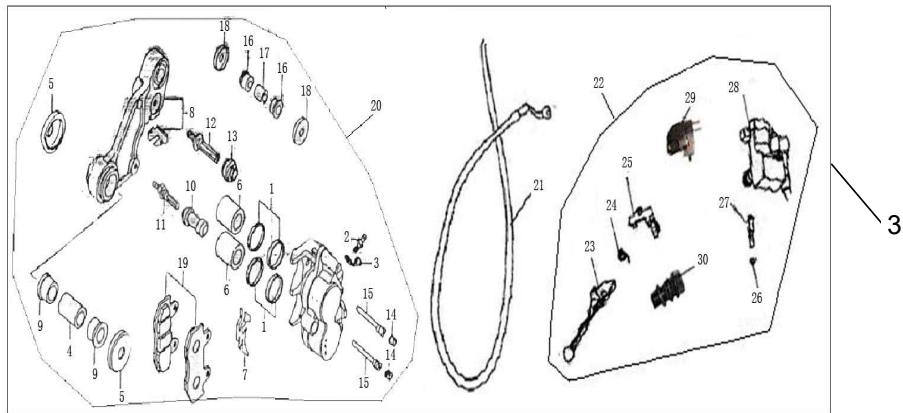
1	250T-B-020201	speedomter cover	1
2	GB845-85	Screw tapping ST4.8X16	8
3	250T-B-020209	Fr cover of instrument guide shell	1
4	250T-B-020211	Windshield	1
5	GB9074.14-88	Screw with washer M6X16	5
6	ZBT31084-87	Nut spring ST4.2	2
7	250T-B-020210	Windshield	1
8	250T-B-020203	starter switch	1
9	250T-B-020204	headlight switch	1
10	250T-B-020205	fire-out switch	1
11	250T-B-020206	horn switch	1
12	250T-B-020207	direction indicator switch	1
13	250T-B-020208	high / dipped beam switch	1

F-16 方向把
Steering handle



1	250T-B-020101	L handle cove	1
2	250T-B-020102	Steering handle	1
3	250T-B-020103.1	Plus pan screw M5X22	2
4	250T-B-020103.2	Throttle cable up cover	1
5	250T-B-020103.3	Throttle cable down cover	1
6	250T-B-020103	fixing seat,throttle	1
7	250T-B-020400	Throttle cable	1
8	250T-B-020104	R handle	1
9	250T-B-020105	R and L handle cover balance block	2
10	GB578-86	Bolt M12X35	1
11	250T-B-001001	l rearview mirror	1
12	250T-B-001002	r rearview mirror	1

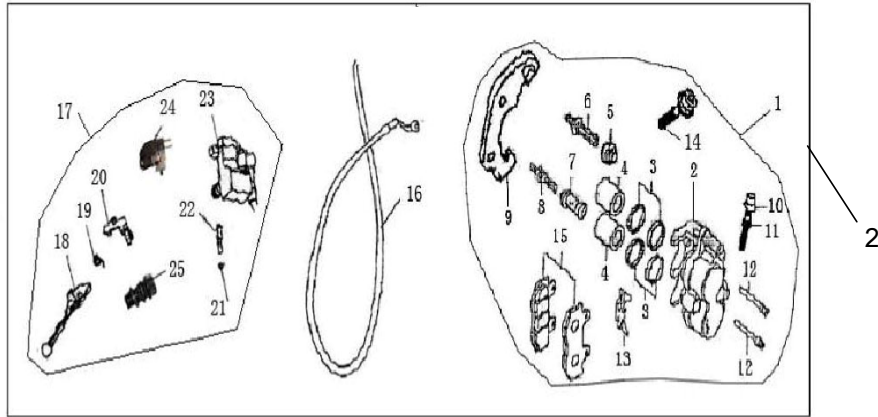
F-17 前制动碟刹组件



1	250T-B-010401.1	dustproof set piece	2
2	250T-B-010401.2	expand oil bolt	1
3	250T-B-010401.3	expand oil bolt cover	1
4	250T-B-010401.4	front trig axis	1
5	250T-B-010401.5	dustproof airproof cirle	2
6	250T-B-010401.6	oil crock pin	2
7	250T-B-010401.7	diaplasis spring	1
8	250T-B-010401.8	front trig subsidiary oil crock splint	1
9	250T-B-010401.9	front trig	2
10	250T-B-010401.10	bolt pin bush	1
11	250T-B-010401.11	bolt pin	1
12	250T-B-010401.12	bolt pin A	1
13	250T-B-010401.13	bolt pin glue circle	1
14	250T-B-010401.14	orientation bolt pin stopper	2
15	250T-B-010401.15	orientation bolt pin	2
16	250T-B-010401.16	wrest connect pole bush	2
17	250T-B-010401.17	wrest connect pole separate bush	1
18	250T-B-010401.18	dustproof airproof cirle	2
19	250T-B-010401.19	front trig disc brake piece	1付
20	250T-B-010401	front trig low pump	1
21	250T-B-010402	oil pipe	1
22	250T-B-010403	Fr disc brake pump	1
23	250T-B-010403.1	Grip comp handle R	1
24	250T-B-010403.2	Retuming spring	1
25	250T-B-010403.3	Connecting socket	1
26	250T-B-010403.4	Nut M5	1
27	250T-B-010403.5	Bolt comp handle R	1

28	250T-B-010403.6	Oil cylinder ,Fr brake comp	1
29	250T-B-010403.7	Switch, front stop	1
30	250T-B-010403.8	bolt,oil inlet	2
31	250T-B-010400	fr disc pump	1

F-18 后制动碟刹组件

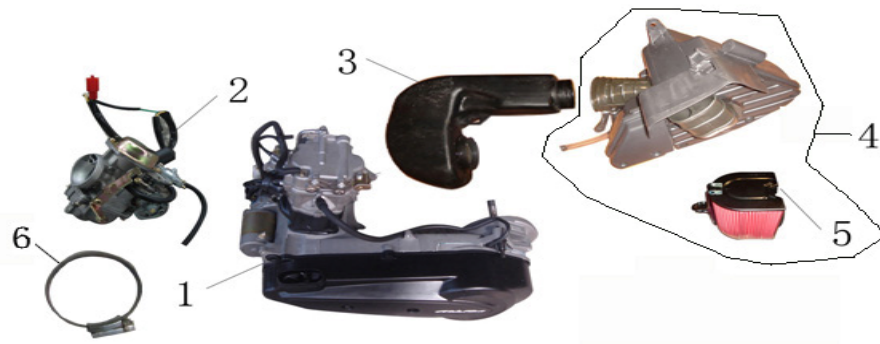


1	250T-B-040401.1	Rr disc brake pump	1
2	250T-B-040401.1-1	Oil cylinder	1
3	250T-B-040401.1-2	dustproof set piece	2
4	250T-B-040401.1-3	oil crock pin	2
5	250T-B-040401.1-4	bolt pin glue circle	1
6	250T-B-040401.1-5	bolt pin A	1
7	250T-B-040401.1-6	bolt pin bush	1
8	250T-B-040401.1-7	bolt pin	1
9	250T-B-040401.1-8	disc brake pump decorate board	1
10	250T-B-040401.1-9	Cover	1
11	250T-B-040401.1-10	Bolt of exhaust	1
12	250T-B-040401.1-11	orientation bolt pin	2
13	250T-B-040401.1-12	diaplasis spring	1
14	250T-B-040401.1-13	bolt,oil inlet	1
15	250T-B-040401.1-14	Rear trig disc brake piece	1付
16	250T-B-040401.2	oil pipe	1
17	250T-B-040401.3	Rr disc brake pump	1
18	250T-B-040401.3-1	Grip comp handle L	1
19	250T-B-040401.3-2	Returning spring	1
20	250T-B-040401.3-3	Connecting socket	1
21	250T-B-040401.3-4	Nut M5	1
22	250T-B-040401.3-5	Bolt comp handle L	1
23	250T-B-040401.3-6	Oil cylinder ,Rr brake comp	1
24	250T-B-040401.3-7	Switch, rear stop	1
25	250T-B-040401.3-8	bolt,oil inlet	2
26	250T-B-040401	rr disc brake pump	1



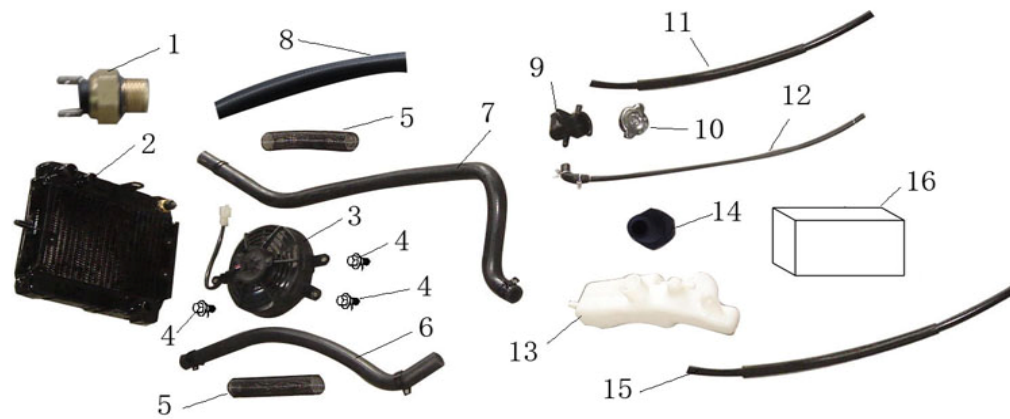
F-19发动机总成

Engine



1	250T-B-040100	engine	1
2	250T-B-040700	carburetor	1
3	250T-B-040802	Air cleaner connection pipe	1
4	250T-B-040801	Air cleaner	1
5	250T-B-040801.1	sponge in air filter	1
6	250T-B-040803	Air cleaner holder, air pipe	2

F-19(A)发动机附件



1	250T-B-080103	water temperature sensor	1
2	250T-B-080101	water box	1
3	250T-B-080102	freezing fan	1
4	GB5787-86	Flange Nut M6X12	3
5	250T-B-080302	water pipe protect spring	2
6	250T-B-080301.1	engine water-in pipe	1
7	250T-B-080301.2	engine water-out pipe	1
8	250T-B-080301.3	water box water-in pipe	1
9	250T-B-080203.1	water box water-in pipe mouth	1
10	250T-B-080203.2	water box water-in pipe mouth cover	1
11	250T-B-080301.4	connection pipe between water box and water jug	1
12	250T-B-080301.5	carburetor heat-up pipe	1
13	250T-B-080201	small water jug	1
14	250T-B-080202	small water jug cover	1
15	250T-B-080301.6	water box balance pipe	1
16	250T-B-080204	water pipe clip	1

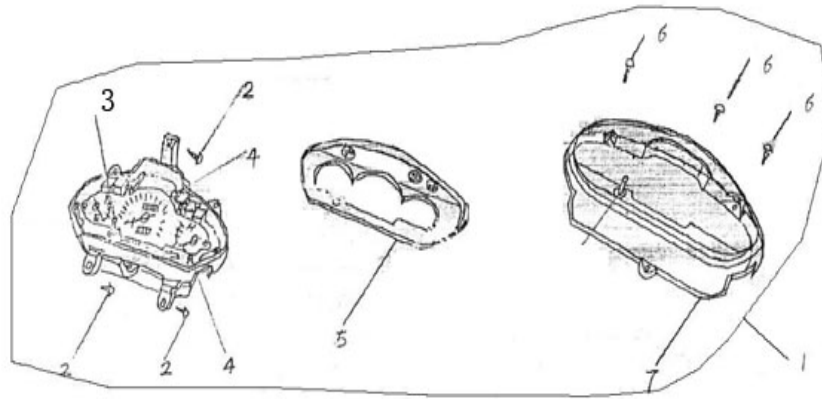
F-20 后减震器
Fear cushion



1	250T-B-040602	R Rr Cushion assy	1
2	250T-B-040601	L Rr Cushion assy	1
3	250T-B-040601.1	Rear Cushion up bush	2
4	GB5787-86	Bolt flange M8X30	1
5	250T-B-040601.2	left Rear Cushion down bush	1
6	GB5787-86	Bolt flange M10X1.25X40	2
7	GB97.1-85	Washer $\Phi 8 \times 28$	1
8	GB6187-86	Nut flange locked M16X1.5	1

F-21 仪表

Speedometer



1	250T-B-020202	speedometer assembly	1
2	GB845-85	nail ST4.2X16	3
3	250T-B-020202.1	speedometer dial	1
4	250T-B-020202.2	speedometer groupware	1
5	250T-B-020202.3	speedometer inner cover	1
6	GB845-85	nail ST3.8X16	3
7	250T-B-020202.4	speedometer cover	1

F-22前叉
Front fork



1	250T-B-010101	Stem comp handle	1
2	250T-B-010102	Fr cushion Assy,L	1
3	250T-B-010103	Fr cushion Assy,R	1
4	GB70.1-200	Flange bolt M8X40	4
5	GB93-87	spring washer φ8	4
6	250T-B-010003	Rubber ring	1
7	250T-B-010004	disc brake pump vitta thread nip(⌀)	1
8	250T-B-010005	disc brake pump vitta thread nip(⌀)	1
9	GB5787-86	Flange bolt M6X12	6
10	GB5787-86	Flange bolt M10X30	2
11	250T-B-010006	Fr fender	1
12	250T-B-000001	up bearing groupware	1
13	250T-B-000002	down bearing groupware	1
14	250T-B-000003.1	Locked nut(⌀)	1
15	250T-B-000003.2	Locked nut(⌀)	1

F-23 消声器

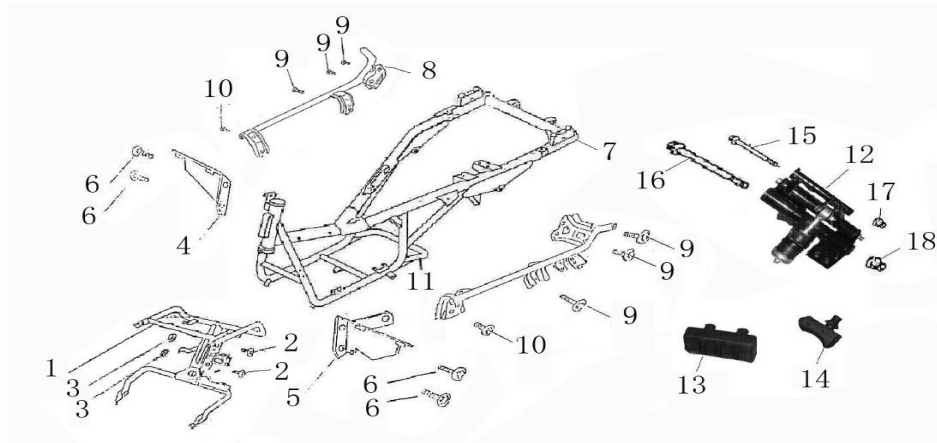
Muffler



1	250T-B-040001	muffler cushion	1
2	250T-B-040502	muffler connection	1
3	GB823-86	Cap nut M8	2
4	250T-B-040503	asbestos Washer	1
5	250T-B-040501	Muffler assy	1
5	250T-B-040501A	Muffler assy(with accelerant)	1
6	GB5787-86	Bolt flange M8X38	1
7	GB5787-86	Bolt flange M8X80	1
8	GB5787-86	Bolt flange M8X25	1
9	GB5787-86	Bolt flange M8X20	1

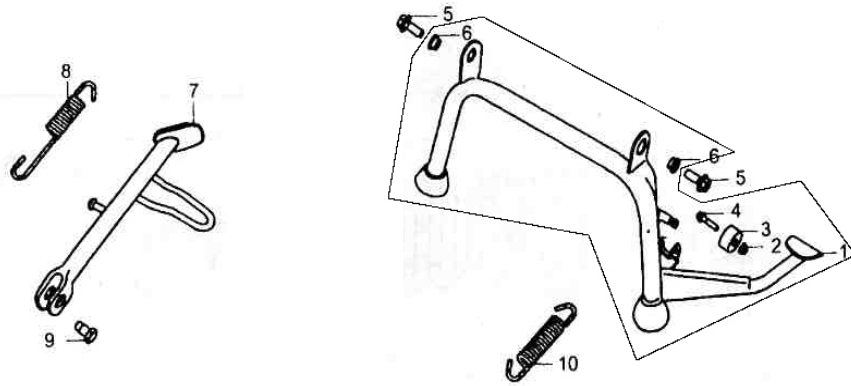
F-24 车架

Frame



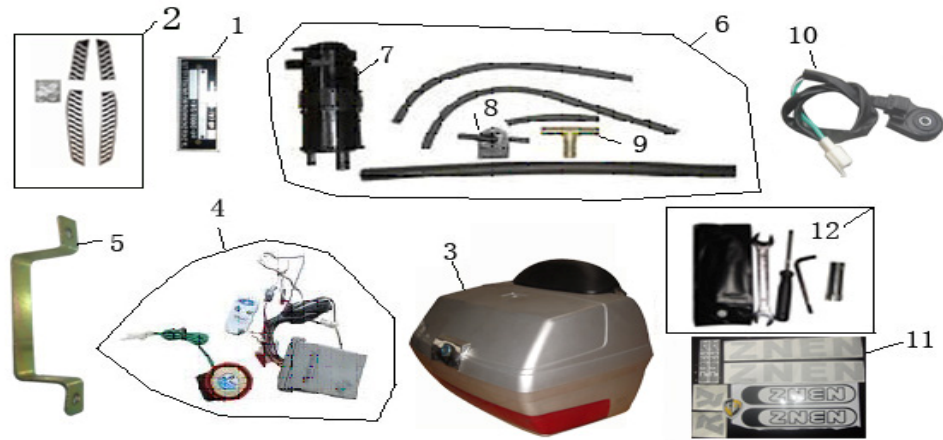
1	250T-B-030200	Horn bracket	1
2	GB5787-86	Bolt flange M8X40	2
3	GB6187-86	Nut flange M8	2
4	250T-B-030702	R foot	1
5	250T-B-030701	L foot	1
6	GB5787-86	Bolt flange M6X16	4
7	250T-B-030801	L foot bracket	1
8	250T-B-030802	R foot bracket	1
9	GB5787-86	Bolt flange M6X12	4
10	GB5787-86	Bolt flange M8X16	6
11	250T-B-030100	Frame	1
12	250T-B-030601	Hanger	1
13	250T-B-030602	hanger rubber(big)	1
14	250T-B-030603	hanger rubber(small)	1
15	250T-B-000004	Condole frame axes □	1
16	250T-B-000005	Condole frame axes □	1
17	GB6187-86	Nut flange locked M10X1.25	1
18	GB6187-87	Nut flange locked M12X1.25	1

F-26 支架
Stand



1	250T-B-030501	main stand	1
2	GB6187-86	Nut M6	1
3	250T-B-030502	rubber, main stand	1
4	GB5787-86	Bolt flange M6X25	1
5	GB5787-86	Bolt flange M10X25	2
6	250T-B-030503	big support bush	2
7	250T-B-030401	Side comp stand	1
8	250T-B-030002	spring, side stand	1
9	250T-B-030402	Bolt comp side stand	1
10	250T-B-030003	spring, main stand	1

F-27 选配件



1	250T-B-090040	aluminium plate	1
2	250T-B-090100	step skin(aluminium)(optional)	1
3	250T-B-090060	trunk(optional)	1
4	250T-B-090060	alarm(optional)	1
5	250T-B-090070	alarm press board(optional)	1
6	250T-B-090090	carbon tin groupware(optional)	1
7	250T-B-090090.1	carbon tin	1
8	250T-B-090090.2	straight copper connection(optional)	1
9	250T-B-090090.3	single direction valve(optional)	1
10	250T-B-090080	Kill switch(optional)	1
11	250T-B-090030	sticker	1
12	250T-B-090020	tools with motorcycle	1