



Verona Owner's Manual

150cc

INTRODUCTION

Thank you for purchasing a CMSI Manufactured TN’G motor scooter. CMSI has invested over 10 years in establishing the facilities, technical infrastructure and nationwide sales and service network that exists today as TN’G Scooters, a trademark of CMSI. TN’G Scooters is growing rapidly due to its reputation in quality research, styling & design, production and service.

We recommend genuine TN’G products for replacement parts and accessories as they have been specifically designed for your scooter and manufactured to meet CMSI’s demanding standards. With the intention of achieving our goal to provide complete customer support, detailed parts catalogs are available for you to view at our web site, www.tngscooters.com. We continuously keep a large inventory of parts and accessories in stock to support our TN’G dealers, service centers and ultimately, TN’G scooter owners. Your local TN’G dealer knows your scooter the best and always is interested in your satisfaction! We advise your local TNG dealer make all repairs on your scooter. You can find a complete list of dealers and service centers on our website.

This Owner's Manual contains important information on safety, operation, and maintenance. Anyone who operates a TN'G Scooter should carefully read and understand the contents of this manual before use.

TN'G Scooters are street legal vehicles in all 50 states. You need to check with your state requirements on license and registration to ride this scooter legally on public roads.

SPECIAL SYMBOLS

WARNING: - Indicates risk of severe injury or DEATH may result to the scooter operator, a bystander or a person inspecting or repairing the scooter if failure to follow these instructions.

CAUTION: - Indicates that special precaution must be taken to avoid damage to the scooter.

NOTE: - Provides key information to make procedures easier to spot.

This Owner Manual should be considered as a permanent part of the scooter as it contains important information for operation and maintenance of the scooter. It should remain with the scooter at all times.

This Owner Manual contains the most current product information at the time of approval for printing. TN'G Scooters reserves the right to make changes at any time without notice and without incurring any obligation. If you have any questions about the manual, please consult your TN'G dealers, or our web site www.tngscooters.com. The most recent documentation will always be available on our web site.

TABLE OF CONTENTS

INTRODUCTION.....	Page 2
SAFETY INSTRUCTIONS.....	Page 6
COMPONENT DESCRIPTIONS & OPERATION.....	Page 13
PRE-RIDE CHECKS.....	Page 21
RIDING YOUR SCOOTER.....	Page 25
MAINTENANCE.....	Page 29
LOCATING YOUR VIN#.....	Page 37
STORING YOUR SCOOTER.....	Page 38
SPECIFICATIONS.....	Page 39
ELECTRICAL DIAGRAM.....	Page 40
WARRANTY.....	Appendix

SAFETY INSTRUCTIONS

RIDING SCOOTERS IS FUN ONLY IF YOU PUT SAFETY AS YOUR TOP PRIORITY.

WARNING: Before you start operating your scooter:

- Be sure you read this owner manual completely and understand all operating features.
- Take sufficient time training with safe and proper riding technique.
- Practice until you are knowledgeable and comfortable with your scooter.
- Knowledgeable with all road signs.

Failure to follow any SAFETY INSTRUCTION could cause severe injury or even death to the scooter operator, passenger or a bystander.

Protective Gear

Riding a scooter leaves the rider exposed. Therefore, wearing appropriate protective gear can prevent or diminish injuries from accidents.

1. An Approved Helmet

The majority of serious motorcycle injuries and deaths are the direct result of a head injury. Therefore, drivers and passengers should always wear an approved helmet to prevent or reduce the chance of head injury.

An approved helmet needs to:

- Meet U.S. Department of Transportation (DOT) and state standards. In addition with labels from the Safety Helmet Council of America, the American National Standard Institute (ANSI), or the Snell Memorial Foundation to assure the integrity of the product.
- Fits snugly on your head.
- Have no obvious defects such as cracks, loose padding or frayed straps.

2. **Eye and Face Protection**

- A plastic face shield can help prevent accidents by guarding the face from debris, allowing the rider to devote full attention to the road.
- Goggles can protect your eyes in the same manner. Never use eyeglasses or sunglasses in place a face shield or goggles.

3. **Clothing**

- Bright clothing should be worn by the driver so as to be easily seen by other motorists.
- Jacket and pants should cover your arms and legs completely, but not too loose to flap in the wind or catch on the levers or wheels which could result in an accident.

- Leather or heavy denim clothing is preferred as these materials help to prevent or reduce abrasion.
- Boots or shoes should be high enough to cover your ankles and sturdy enough to provide support.
- Gloves give you a better grip and help protect your hands from the elements.

Safe Riding

- Keep enough distance from the other vehicles around you as this gives you time to react.
- Ensure that you have a driver's license with correct classification to ride this scooter in your state.
- Always observe the rules of the road. Observe the posted speed limit, and signal your turns well in advance.
- Know your limits. Do not go faster than you are able to control. Always travel at a speed that is proper for the terrain, operating conditions, and your experience.
- Always inspect your scooter each time you use it to make sure it is in safe operating condition.
- Always follow the inspection and schedule maintenance procedures described in this manual.

- Test your brakes after operation in wet conditions. If necessary, apply the brakes several times to let friction dry out the linings.
- Never attempt wheelies, jumps and other stunts, as these could cause damage to the scooter and cause a loss of control.
- Always keep both hands on the handlebars and feet on the floor board during operation.
- Never consume alcohol or drugs before or while riding scooter.
- Limit the travel distance to avoid fatigue that can affect your performance.

Being seen

Many scooter accidents are caused by car drivers who do not see scooter riders on the road. Therefore you need to ensure to follow these guidelines:

- Wear bright clothing to increase visibility. Bright orange, yellow or green jackets or vests and brightly colored helmet can help others see you.
- Always use turn signals when you are planning to turn or merge to main road and turn it off after you have made your turn.
- Flash brake lights whenever you are going to slow down more quickly or where others may not expect you are going to slow down.
- Stay out of blind spot of other motorists.
- When you come to an intersection, move to the portion of your lane that will bring you into another driver's field of sight at the earliest possible moment.

Carrying Passengers & Loading

WARNING:

- This scooter is rated for 2 passengers; total weight of the rider and the passenger must not exceed 330 lbs.
- Attach the load securely since a loose load can catch in the wheel or rack causing skidding.

You should avoid carrying passengers or large loads until you have gained sufficient experience riding alone. Extra weight changes handling, stability, braking performance, turns, acceleration and deceleration. *To carry passengers safely you must:*

1. Instruct the passenger before you start.
 - Must wear a helmet.
 - Get on the motorcycle after you have started the engine.
 - Sit as far forward as possible without crowding the driver.
 - Hold firmly to your waist, hips, or belt or passenger handle.
 - Keep both feet on the pegs at all time, even when the motorcycle is stopped.
 - Keep legs away from the muffler.
 - Stay directly behind you, leaning as you lean.
 - Avoid any unnecessary talking or motion.

2. Adjust your riding technique with passenger

- Go slower
- Start slowing earlier as you approach a stop.
- Maintain a larger cushion of space ahead and to the sides.
- Wait for larger gaps when you want to cross, enter, or merge with traffic.

A scooter is not really designed to carry cargo. However, small loads can be carried safely if they are positioned and fastened properly.

3. The rear luggage rack can carry 11 lbs max. The forward glove box can carry 6 lbs. The compartment under the seat can carry 22 lbs max. No more than 39 lbs. total.

4. Keep the load low and distribute the load evenly. An uneven load can cause the motorcycle to drift to one side.

Gasoline & Exhaust Fumes

WARNING: Gasoline is highly flammable and exhaust fumes are poisonous:

- Turn off engine before refueling.
- not to spill any gasoline on the engine, exhaust system or the plastic body.
- Do not refuel while smoking or near any open flame.

- Do not operate your scooter in a closed area as the exhaust fumes may cause loss of consciousness or death within a short time.
- Do not park the scooter near any flammable source.
- If you swallow gasoline, inhale gasoline vapor or spill gasoline into your eyes, see doctor immediately or call American Association of Poison Control Centers at 1-800-222-1222 for assistance.
- If you spill gasoline on your clothes, change and wash the affected area immediately with soap.

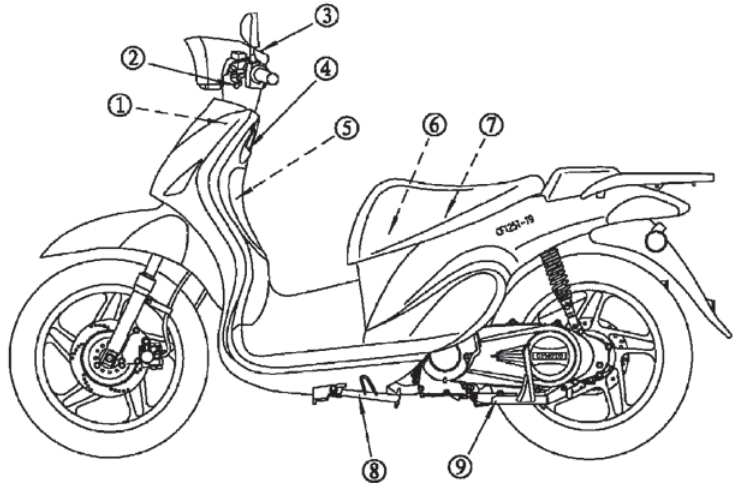
Modification

Any modifications to this scooter or removal of original equipment without approval from TN’G Scooters may cause it to be unsafe for use and may trigger severe accident.

Modifications may also make your scooter illegal to use and will void any and all warranty coverage.

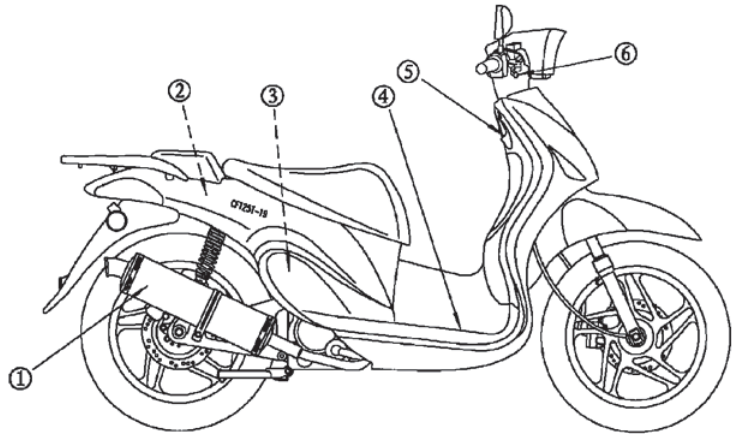
COMPONENT DESCRIPTIONS & OPERATIONS

- ① Coolant tank
- ② Rear brake handle
- ③ Odometer
- ④ Fuel level indicator
- ⑤ Glove box
- ⑥ Battery
- ⑦ Chest
- ⑧ Side stand
- ⑨ Main stand



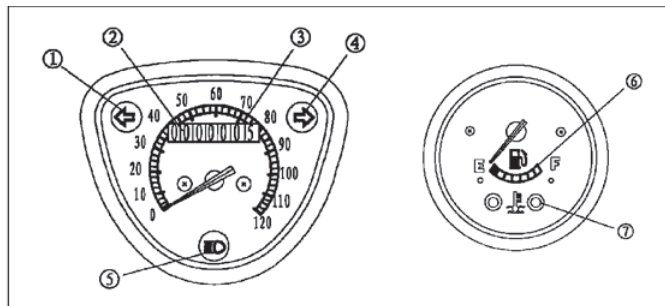
The position marked with ----- represents the unseen parts of motorcycle.

- ① Muffler
- ② Fuel tank
- ③ Air cleaner
- ④ Foot step
- ⑤ Main switch
- ⑥ Front brake handle

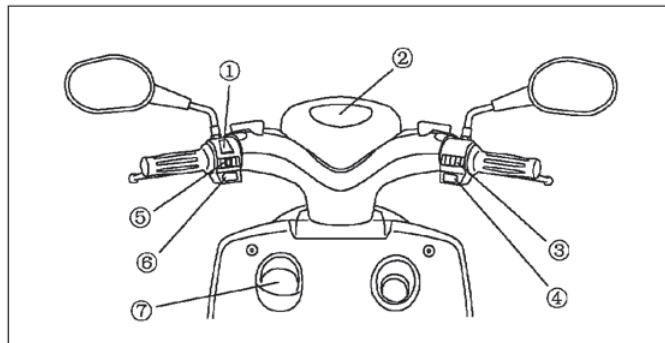


The position marked with ----- represents the unseen parts of motorcycle.

- ① Left turn indicator
- ② Odometer
- ③ Speedometer
- ④ Right turn indicator
- ⑤ High beam indicator
- ⑥ Fuel level indicator
- ⑦ Coolant temperature indicator






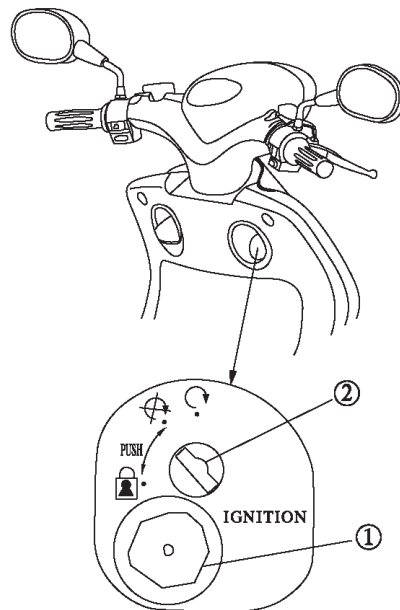
- ① Beam switch
- ② Instruments ASSY.
- ③ Illumination switch
- ④ Electric starting switch
- ⑤ Turning light switch
- ⑥ Horn button
- ⑦ Fuel level indicator



Main Switch

After aligning the irregular polygon bottom of the key with the irregular polygon (1) on the main switch, turn it clockwise and the key insert slot can be seen. You can then insert the key into the key slot to perform the functions of starting, shutdown and locking. To cover the key slot simply turn the cover counterclockwise.

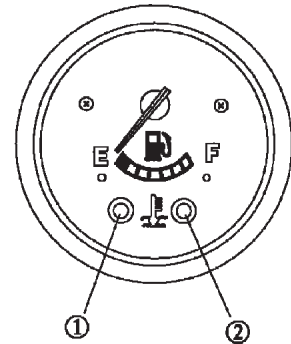
- (1)  **ON:** Turn the switch to “ON” to allow the start button to work.
- (2)  **OFF:** Turn the switch to “OFF” the engine will shut-down and the key can be removed.
- (3)  **LOCK:** Turn the handlebars to the left, press the key in and turn to the “LOCK” position and remove the key. The handlebars will be locked and the engine cannot be started.



Coolant Temperature Indicator

The coolant temperature indicator is under the fuel level gauge, which indicates the temperature of the coolant. The green indicator (1) light indicates the coolant temperature is in the normal range. The red indicator (2) light indicates that the coolant temperature is above safe operating range. If the red light comes on and/or you hear the engine overheat audible alarm sounding, you should immediately shut down your scooter and check the level of coolant.

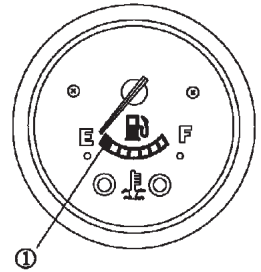
NOTE: An audible alarm will sound when the scooters engine temperature exceeds the normal operating range



CAUTION: If the engine is left idling in hot weather for a long period of time the engine may overheat.

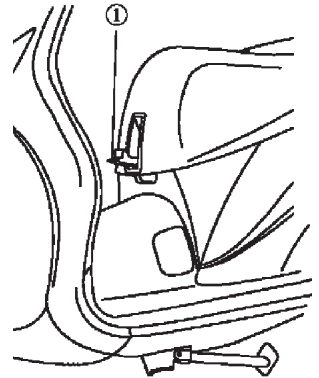
Fuel Level Indicator

The fuel level indicator displays the amount of gasoline the in the fuel tank. When the fuel level gauge is pointing to the red (1) you should refill immediately.



Light-Weight Carrying Hook

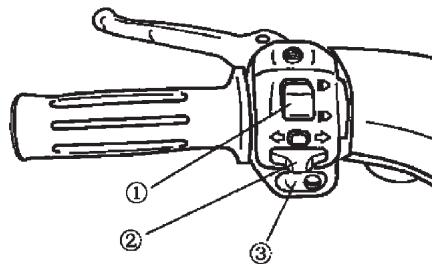
The carrying hook (1) can be used for light waight loads. Do not exceed 4 lbs.



Handlebar Switch (Left)

There are 3 switches located on the left handlebar:

- (1) High/Low Beam Switch
- (2) Turn Signal Switch
- (3) Horn Button



Handlebar Switch (Right)

There are 2 switches located on the right handlebar:



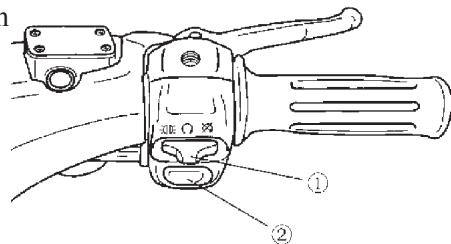
(1) Starter Switch has 3 positions

: All lights will come on when the key is in this position



: Engine can be started

: Engine will be shutdown



Glove Box

The glove box (1) should be used for light weight loads only and should not exceed 6 lbs.



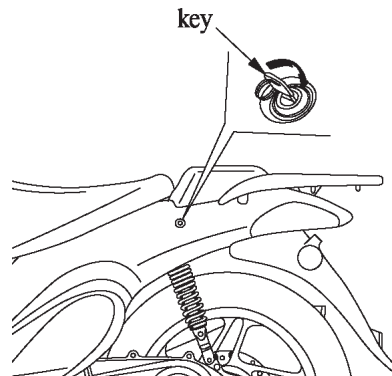
Steering Lock

Turn the handlebars all the way to the left, press the start switch with key inserted and turn it to the lock position. This will lock the handlebars so that they cannot be moved.

Seat Lock and Underseat Storage

To open the seat, insert key into the key slot located on the left side of the seat and turn clockwise. The underseat storage area can be used for small items and should not exceed 22 lbs.

NOTE: Make sure your seat is closed and locked before driving or hauling your scooter.



PRE-RIDE CHECKS

To insure the proper performance and safety, a routine inspection shall be performed before each ride.

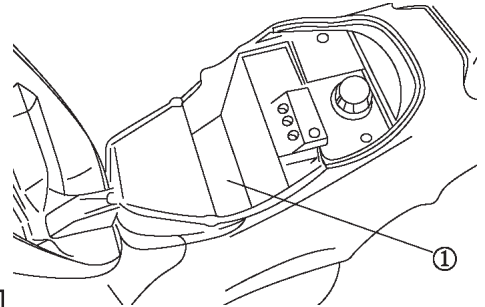
Fuel Level

When refueling, open the fuel tank cap and check for any leakage.

Fuel Tank Capacity: 1.8gal

Turn fuel tank cap (1) counter-clockwise to open

Turn fuel tank cap (1) clockwise to close



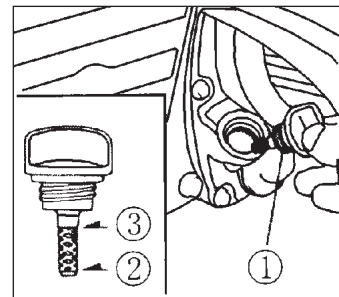
CAUTION: When filling the tank, keep the fuel level below the inlet full mark (2)

Use 90 octane gas or better and do not allow dirt, water or any other pollutants to enter the fuel tank when refueling.

Checking Engine Oil

(1) Park your scooter on a level surface using the center stand. Remove the oil plug/gauge by twisting as shown.

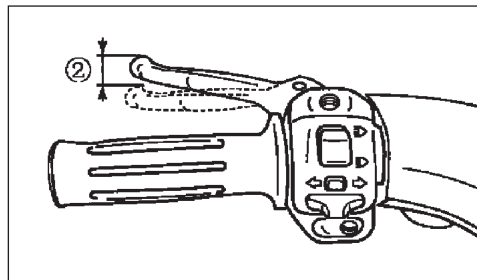
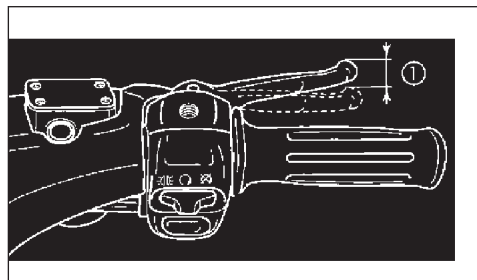
(2) If the oil level is at the add mark (2), fill the crankcase with SAE15W-40/SF engine oil until the oil level is at the full mark (3), then reinstall the oil plug/gauge stick into the filler opening and tighten it. Check for any leakage.



Brakes

Measure the moving distance of the brake levers (1), (2), between its natural position and functioning position. This distance should be 10 - 20mm. If it is outside this range, please consult your local dealer for adjusting.

If the thickness of pad on the front or rear disc is less than 3mm, it should be replaced by an authorized dealer.



Tires

The Verona scooter uses a tubeless tire. Proper tire pressure will provide you with maximum stability, riding comfort, and longer tire life. Check your tire pressure regularly and scan the tire for nails, cuts, or any other damage that will effect your tires performance.

NOTE: Check the tire pressure when the tire is cool. Tire Pressure: Front 29 psi, Back 32 psi

WARNING:

- Over-inflating the tires will cause irregular tread where, which can result in an accident.
- Under-inflating the tires can cause tire slip or the possibility of the tire coming of the wheel rim.
- Driving on excessively worn tires will decrease traction and steering stability.

When the tread depth of the tires reaches the mark “△” ① , the tire should be changed by an authorized dealer.

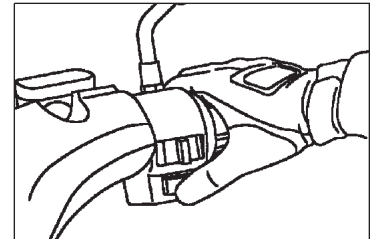
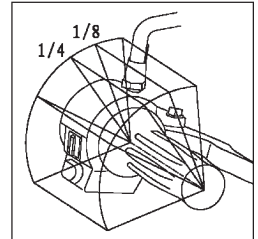
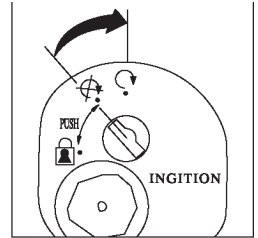
RIDING YOUR SCOOTER

WARNING: Be sure to keep the rear brake applied when starting the scooter. Once the engine starts, maintain brake pressure until your ready to drive forward.

To start your scooter insert the key into the main switch and turn it to position '⌚', and press the start button.

CAUTION:

- Release the start button as soon as the engine is started.
- Do not press the start button when the engine is running.
- When attempting to start the scooter do not hold the start button down for more the 3 or 4 seconds at a time. Holding it down longer can damage the starter.
- If the scooter has been in storage for a long time the starting time may take a little longer.



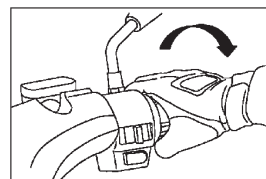
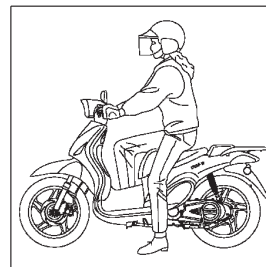
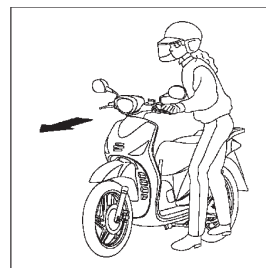
NOTE: Do not release the rear brake lever before the scooter starts to run

WARNING:

- When the scooter has been ridden the muffler will become hot and can cause burns if touched.
- Do not wear loose clothes when riding your scooter as sleeves or trousers can get snagged in the scooter controls resulting in loss of control.
- Any attempt to refit or your scooter with other than authentic Twist N' Go parts on your Verona scooter will void warranty.

Driving Procedure

- 1) Push the scooter forward while holding the handlebars securely to release the scooter from the centerstand.
- 2) Sit on the scooter with right foot on the foot step and left foot on the ground.
- 3) Start the scooter using the starter button.
- 4) Twist the throttle slowly towards you and the scooter will start to run.



Using the Brakes

- The brakes work best when the front and rear brakes are applied simultaneously.
- To apply the brake, release the throttle quickly, and squeeze the front brake lever while putting pressure on the rear brake lever.

WARNING: Do not apply the brakes too quickly or while in a turn as this may result in loss of traction and control. Wet conditions will affect braking. Give twice the normal braking distance in wet or slippery conditions. Take extra care while riding in these conditions.

Stopping and Parking

- Release the throttle and steer the scooter to the side of the road. Gently apply the front brake with your right hand, and at the same time gently apply the rear brake with your left hand.
- Extend your left foot just before coming to a complete stop so as to keep the scooter upright when it stops.
- Turn off the ignition key and dismount the scooter on the left side.
- Use your right foot to extend the side stand of the scooter.

CAUTION:

- If the scooter will be parked for an extended period of time, use the center stand instead.
- Do not park on a slope or soft ground as the scooter may overturn.
- Do not park near to any flammable material.

Breakin Procedures

- It is very important to follow this procedures during the first 300km to achieve the best performance from the scooter.
- Limit full throttle operation and avoid any condition that may result in engine overheating.
- Always keep the speed below 40 mph.
- Do not overload the scooter or carry a passenger during this period.

CAUTION: Have your TN'G Scooter dealer check the vehicle, if any engine trouble occurs during this period.

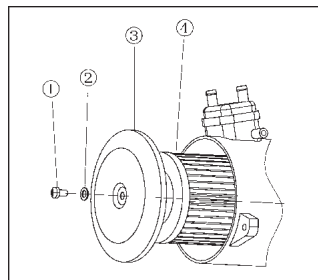
MAINTENANCE

Item	Initial 300km	1000km	4000km or Every 6 Months
Fuel Line			I
Fuel Filter			R
Air Filter	I	I	I
Spark Pug			R
Valves	I	R	R
Engine Oil	R	I	R
Oil Filter		R	R
Carburetor		R	R
Cooling System	I	I	I
Drive Belt	REPLACE EVERY TWELVE MONTHS		
Transmission Oil	I		R
Braking System		I	I
Wheels		I	I
Wheel Bearings		I	I
Steering Bearings	I	I	I
Rear Schock Absorber		I	I
Chassis Fasteners	R	R	R
Control and Meter Cables	R	R	R
Throttle Grip Housing/Cable		R	R
Centerstand/Sidestand	I	I	I
Headlight and Other Lights		I	I
Additional Fasteners		I	I
R= Relace or Service/Adjusment Due I= Inspect and replace as neccessary			

Main Air Cleaner

The air cleaner is at the rear of the scooter located under the seat.

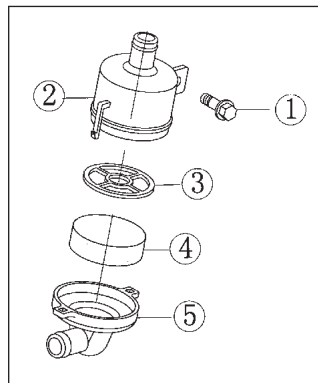
1. Remove the screw (1) and washer (2) on top of the air cleaner.
2. Remove the right cover (3).
3. Take out filter element (4).
4. Clean the filter element using a non-flammable solution, and make sure it dries before re-installing.
5. Reinstall the air cleaner.



Small Air Cleaner

The small air cleaner is located at the left side of the cylinder.

1. Remove the screw (1) and small air cleaner cap (5)
2. Remove the filter element (4), and fender (3)
3. Clean the filter element using a non-flammable solution, and make sure it dries before re-installing.
4. Clean the inside of the small air cleaner cap (5) and air cleaner body (2), then reinstall the small air cleaner.

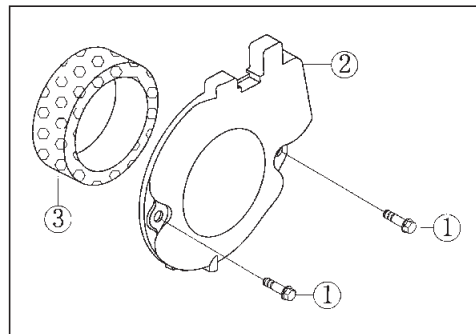


Side Cover Inlet Vent

The side cover inlet vent is located in front of the engine on the left side of the scooter.

To clean the filter element use the following steps:

1. Remove the screw (1) and take off the vent cover (2).
2. Remove the element (3)
3. Clean the filter element with a non flammable solution, then let it dry.
4. Reinstall the filter element (3) and inlet vent cover (2).



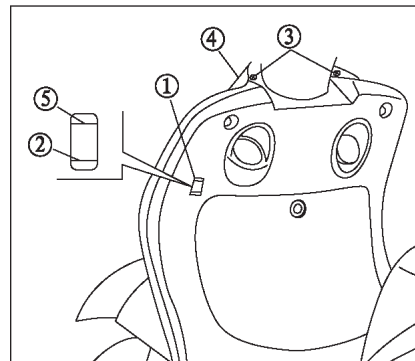
Radiator Maintenance

The Radiator is located between the foot steps in the floorboard.

You should only use high quality glycol coolant containing erosion inhibitor designed for aluminum engines. Your scooter's radiator has come pre-filled with 50% anti-freeze and 50% water. If coolant replacement becomes necessary, the capacity of coolant is 380ml (13 fluid ounces).

Check Coolant Level:

1. Coolant level indicator (1)
2. If the coolant level is at the Lower mark (2), remove the screws (3) and remove the front chrome panel (4).
3. Open the cap of the coolant tank and add coolant until the level is up to the upper mark (5).



Engine Oil

Keeping your engine lubricated with quality engine oil is critical to maintaining your scooter's engine. Only SAE10W 30 SE Grade, SAE15W-40, or SAE20W-50 SF Grade engine oil should be used for your Verona scooter.

Viscosity

The viscosity of the engine oil should be in accordance with your regions temperature. The figure on the right provides a guideline for selecting the proper engine oil.

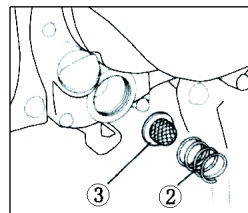
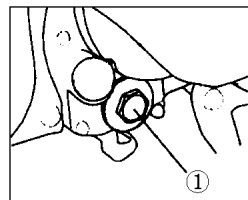
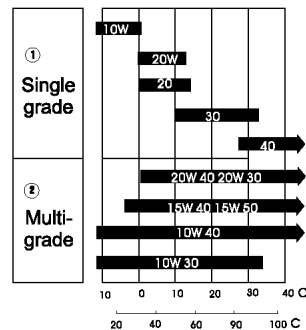
Changing engine oil and cleaning oil screen

Crankcase capacity is 1 quart.

You should change your oil at 300km and then every 4000km thereafter.

Use the following steps when changing your engine oil:

1. Park the scooter on a level surface using the center stand.
2. Remove the plug/oil gauge stick and oil screen cover (1), then remove the draining screw.
3. Remove the oil screen (3) and spring (2).
4. Clean the oil screen.
5. Reinstall the drain screw, oil screen, spring and screen cover.
6. Refill the crankcase with proper engine oil (see chart in upper right).
7. Reinstall the oil plug/oil gauge stick.
8. Start the engine and allow to run for a few minutes at idle.
9. Shut down the engine and recheck the oil level and also that there are no oil leaks.



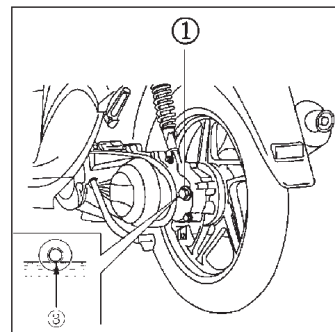
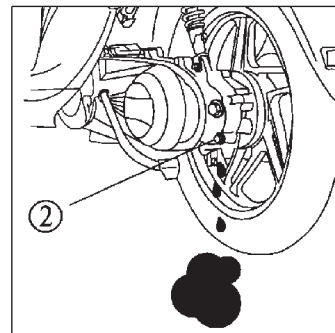
Changing Gearbox Oil

The recommended gearbox oil is SAE10W-30/SE

Use the following steps for changing your gearbox oil:

1. Park the scooter on a level surface using the center stand.
2. Remove the filling plug (1) and draining plug (2).
3. Once all oil has drained, wipe the filling plug clean and reinstall it.
4. Refill the gearbox using the filling plug hole until it overflows.
5. Reinstall the filling plug.

Note: Drain the gearbox immediately after scooter has been running. Warm oil will drain quicker and more completely.

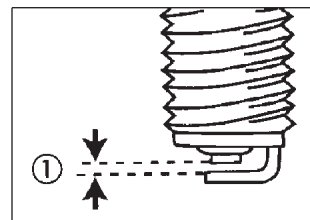


Spark Plug

Recommended spark plug: DPR7EA-9(NGK)

Use the following procedure for maintaining or replacing your spark plug:

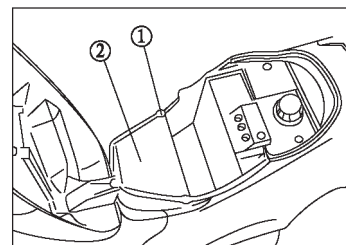
1. Remove the spark plug cap and unscrew the spark plug using the plug wrench located in scooter's tool kit.
2. Check the electrode and the central ceramic point for deposits. If necessary replace the spark plug.
3. Measure the spark plug gap (1) using a feeler gauge. If necessary bend the side electrode (2) to adjust the gap (1) to be within 0.6mm - 0.7mm.



Battery

Recommended battery: 12V 8Ah

To replace the battery open the seat and remove the screw (1) and open the battery box cover (2). You will see the battery. Remove the +/- terminal screws and the battery can be replaced.



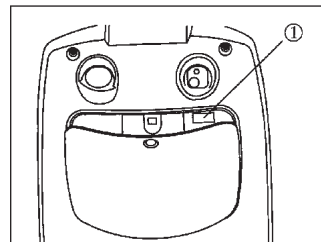
CAUTION: When changing the battery, you must connect the red line with the + terminal, and black line with the - terminal, otherwise the battery and wires can be destroyed.

Fuses

The fuse box (1) is located inside the glove box.

Notice: Turn the key to the ‘OFF’ position before checking or replacing fuses.

Warning: Only use the fuses that meet the specified amperage. Using an incorrect fuse may result in damage to the electrical system and possibly a electrical fire. We recommend that you consult your local authorized TN’G dealer for electrical system maintenance.



Tool Kit

The tools are located in the compartment below the seat. these tools can be used for repairing, adjusting, or replacing parts. Tools in this kit include:

- 8 x 10mm open end wrench
- 13 x 16mm open end wrench
- Screwdriver
- 16 x 18mm socket wrench
- 12 x 14mm open end wrench
- S=6 socket screw wrench
- Idle adjusting cross screwdriver

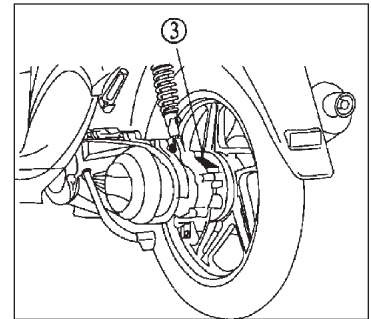
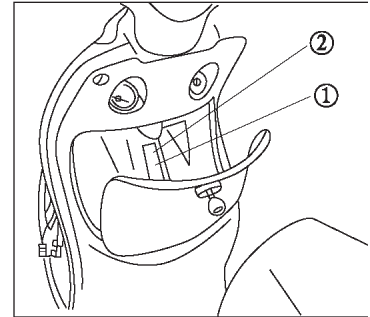
LOCATING YOUR VIN#

The serial numbers of the frame and engine are used for vehicle registration.

The frame VIN# and label are located in the glove box. Remove the number cover and you will see them. The engine # (3) is located on the back of the engine.

Frame # _____

Engine # _____



STORING YOUR SCOOTER

If you know that your scooter is going to be put in storage or it will be suspended from use for a long period of time, such as winter, some necessary measures should be taken to prevent parts damage.

1. Drain the fuel tank and carburetor completely.
2. Remove the spark plug and pour approx 1/2 oz of engine oil into the cylinder and crank the engine several times to spread oil over the cylinder, then reinstall spark plug.
3. Remove battery and store in a place away from direct sunlight or extreme temperatures. Recharge battery once a month.
4. Clean all surfaces of scooter and wipe them dry.
5. Inflate the tires to standard pressure.
6. Cover the scooter and store in a dry environment away from extreme temperatures.

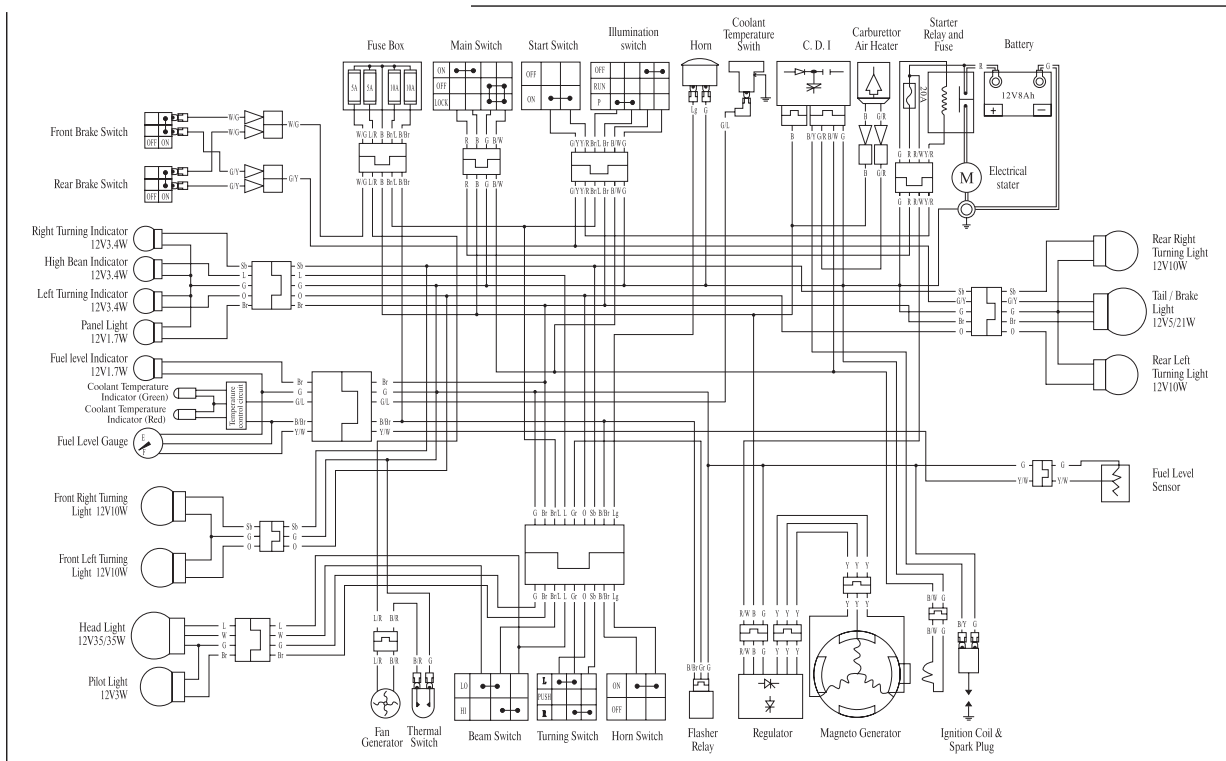
Resumption of use

1. Remove scooter cover and wipe clean.
2. If stored for more than 4 months, replace the engine oil.
3. Charge and install the battery.
4. Refill the gas tank.
5. Perform the procedures specified in the Pre-Ride Checks section (Page 21)

SPECIFICATIONS

Model	Verona 150cc	Idle RPM	1500 rpm
Model Number	VR150T	Exhaust Valve Gap (Cold)	.07mm
Length	80 inches	Spark Plug Type	DPR7EA-9(NGK)
Width	27 inches	Battery Type	12V/8Ah
Height	46.7 inches	Headlight (Hi/Low Beam)	12V 35W/35W
Ground Clearance	5.5 inches	Pilot Lights	12V 3W
Dry Weight (No fuel)	278 lbs	Brake / Tail Light	12V 21W/5W
Max. Load	330 lbs	Turn Signal Lights	12V 10W
Fuel Consumption	50-75mpg	Turn Signal Indicators	12V 1.7W
Engine Type	Water Cooled - 4 Stroke	Instrument Illumination	12V 1.7W
Cylinder Arrangement	Single Cylinder	Fuel level Indicator	12V 1.7W
Displacement	152.7cc	Fuses	20A/10A/5A
Compression Ratio	10.3:1	Fuel Type	90 Octane
Ignition Type	CDI	Fuel Capacity	1.8 Gal
Transmission	CVT	Lubricating Oil	SAE 10 W30
Front Brake	Disc		
Rear Brake	Disc		
Tire Size (Front)	100/80 x 16		
Tire Size (Rear)	110/80 x 16		
Tire Pressure (Front)	29psi		
Tire Pressure (Rear)	32.6psi		

ELECTRICAL DIAGRAM



R—Red B—Black G—Green LR—Blue/Red G/Y—Green/Yellow Y/R—Yellow/Red Rr—Brown Y—Yellow L—Blue W—White O—Orange B/R—Black/Brown Br/L—Brown/Blue
 W/G—White/Green B/W—Black/white B/Y—Black/yellow Y/W—yellow/white Lg—Light Green Gr—Grey G/L—Green/Blue G/R—Green/Red Sb—Sky Blue R/W—Red/White B/R—Black/Red

WARRANTY

CMSI, Inc., warrants to the first retail purchaser of all TN'G vehicles from an Authorized CMSI Dealer and each subsequent owner that the vehicle is free from defects in materials and workmanship for the period stated in this warranty section.

To Qualify For This Warranty

- The CMSI vehicles must be purchased from a dealer within the United States, Canada or Mexico who is authorized by CMSI to sell CMSI products.
- Dealer must be signed up and be familiar with CMSI warranty policy.

Warranty Verification Method

Owner and dealer sign Owner Registration Card at time of purchase. This information is kept in CMSI's warranty system and can be requested thru an authorized dealer.

WARRANTY RESPONSIBILITY

The Manufacturer

CMSI Inc.

To repair or replace , at its option, any part which is proven to be defective in material or factory workmanship under normal use for the applicable warranty period.

- The repair or replacement of defective parts under this limited warranty must be made by an Authorized CMSI Dealer or service center. Warranty repairs will be made at no charge to you for parts or labor.
- Parts repaired or replaced under warranty are warranted only during the balance of the applicable warranty period.

The Authorized Dealer

To give you complete warranty documentation when you pick up your vehicle. To perform warranty repairs on any CMSI product that qualifies for such repairs.

The selling dealer shall sign the Acceptance Certificate and a Card of Delivery upon delivery of the vehicle. The Card of Delivery outlines the steps your dealer has taken to fulfill his responsibility to properly assemble and service your new vehicle and inform you of proper break-in, warranty, periodic maintenance and maximum load and other riding and safety rules.

You, the Owner

- The customer should retain all service records for future reference.
- Service inspections and replacements in accordance with the time and mileage intervals given in the Maintenance Schedule are essential.
- You are responsible for paying all maintenance costs, including service interval costs.
- Failures which occur due to improper maintenance as determined by T N'G are not covered under this warranty.
- The customer may choose the extended warranty option for engines on 50cc and above models by purchasing the Interlube Opti-4 engine lubricant at the time of purchase of the new unit and use only that lubricant during the entire warranty period.

An authorized CMSI dealer is your best source for scheduled maintenance on your vehicle.

Regardless of who performs your maintenance, if warranty repairs are needed, your dealer may ask you for documentation which may consist of one or more of the following:

- A Maintenance Record showing the odometer mileage and service date. Each entry should be signed or stamped by a person who is qualified to service your motorcycle or yourself if you have performed the maintenance.

- Copies of repair orders or other receipts for required maintenance that include the odometer mileage and service date.

NOTE: All maintenance receipts should be kept by the owner.

Warranty Coverage Table

	2005 Model Year				2006 Model Year			
	Scooters and Street Motorcycles				Scooters and Street Motorcycles			
			With Opti-Lube				With Opti-Lube	
	Parts	Labor	Parts	Labor	Parts	Labor	Parts	Labor
Engine								
50cc and below	12 mos.	3 mos.	n/a	n/a	12 mos.	6 mos.	24 mos.	12 mos.
51cc and above	12 mos.	6 mos.	24 mos.	12 mos.	12 mos.	12 mos.	24 mos.	24 mos.
Emission components								
less than 50cc	12 mos.	3 mos.	12 mos.	3 mos.	12 mos.	6 mos.	12 mos.	6 mos.
less than 170cc	<i>lesser of 5 yrs. or 12,000 kms</i>				<i>lesser of 5 yrs. or 12,000 kms</i>			
170cc to 280cc	<i>lesser of 5 yrs. or 18,000 kms</i>				<i>lesser of 5 yrs. or 18,000 kms</i>			
280cc and above	<i>lesser of 5 yrs. or 30,000 kms</i>				<i>lesser of 5 yrs. or 30,000 kms</i>			
Basic (non-engine)								
50cc and below	12 mos.	3 mos.	12 mos.	3 mos.	12 mos.	6 mos.	12 mos.	6 mos.
51cc and above	12 mos.	6 mos.	12 mos.	6 mos.	12 mos.	12 mos.	12 mos.	12 mos.
Body parts								
all models	12 mos.	1 mos.	12 mos.	1 mos.	12 mos.	1 mos.	12 mos.	1 mos.
Batteries	6 months from battery manufacturer				6 months from battery manufacturer			

Coverage Begins

The date the motorcycle is delivered to the first retail purchaser

Warranty

CMSI shall repair or replace, at its option, any part (including parts of the emission control system) that is found defective in material or workmanship under normal use for the applicable time period.

Parts or Labor

No charge to you.

WARRANTY DISCLAIMERS, LIMITATIONS & EXCLUSIONS

Disclaimer of Consequential Damage & Limitation of Implied Warranties

CMSI Inc. disclaims any responsibility for:

- Loss of time
- Loss of use of vehicle
- Transportation expenses (rental and /or towing)
- Any other incidental or consequential damage
- Any other incidental or consequential expenses (storage)

Duration of Implied Warranties

Any Implied Warranties, including the implied warranty of merchantability and fitness for a particular purpose are limited to the duration of this written warranty.

State Laws May Vary

The previously listed limitations or exclusions may not apply to a motor scooter because of state laws. Some states may not allow limitations on how long an implied warranty lasts. Some states may not allow exclusion or limitation of incidental or consequential damages.

Your Legal Rights

These warranties give you specific legal rights. You may also have other rights which vary from state to state. It is the responsibility of the owner to be aware of state laws which pertain to this issue in your particular state.

These Warranties Do Not Cover

Failures which are not due to a defect in material or factory workmanship.

Parts or accessories affected or damaged by:

- Lack of required maintenance
- Owner abuse or misuse
- Accident and/or collision

- Normal wear
- Neglect
- Improper installation
- Unsuitable use in an application for which the part was not designed
- The incorporation or use of unsuitable attachments or parts
- The unauthorized alteration of any part
- The incorporation or use of unsuitable attachments or parts
- Deterioration from the elements
- Failure to follow “break-in” procedures
- Replacement of expendable maintenance item including, but not limited to:
 - Spark plug -gaskets -coolant -belts -Filters
 - hoses -lubricants -fuses -Tires (see Owner’s Manual)
- Paint and/or decals fading, peeling, blistering, chipping or rusting.
- Plastic body parts and panels, See “Warranty Time Table”

Use for the following activities, shall VOID coverage:

- Racing
- Competition

- Rental or other commercial uses
- Towing another vehicle, trailer or similiar device
- Alteration to the engine or drive train
- Any operation or use outside of that described in this Owner’s Manual
- Alteration of the odometer so that the actual mileage cannot be determined; alteration may VOID coverage

Replacement parts refer to Distributors Limited Warranties – Replacement Parts

DISTRIBUTORS LIMITED WARRANTY – NEW MOTORCYCLE

CMSI warrants to the first retail purchaser and subsequent purchasers of this vehicle that the motorcycle is free from defects in materials and workmanship for the period stated in “Warranty Time Table”.

To Qualify For This Warranty

- The vehicle must originally have been purchased from a dealer within the United States, Canada, or Mexico who is authorized by CMSI to sell CMSI products.

- Prior to delivery to the purchaser, setup and pre-delivery service must be performed by a dealer or service center who is authorized by CMSI to deliver it vehicles.

DISTRIBUTOR'S LIMITED WARRANTY- MOTORCYCLE TIRES

Warranty Time Period

90 days, or until the center tread is worn to a depth of 3/32" , whichever occurs first.

Coverage begins

- Original tire on motorcycle - date of delivery
- Tire purchased as replacement - date of purchase

Warranty Coverage

Tires distributed and sold by CMSI which are either

- Original equipment on CMSI vehicles, or
- Specified by CMSI for the model the tire is installed on and purchased from an Authorized Dealer for replacement use.

To qualify for this warranty

- The tire must have been purchased from an Authorized CMSI Dealer.

- The tire was part of the original factory equipment.
- The tire must have been used for its designed purpose.

The Obligation of CMSI Inc

To replace any tire which is proven to be defective in material or factory workmanship under normal use – until the tire center tread is worn to a depth of 3/32". At that point, there will be no further warranty consideration, regardless of the tire's age or mileage.

Your Obligation

To practice proper tire care and prudent motorcycle operation. You must maintain tire inflation pressure and load in accordance with information in the manual, the tire information label on the motorcycle, and restrictions molded into the tire sidewalls. The replacement of a defective tire under this warranty must be made by an Authorized CMSI Inc Dealer.

Replacement Charges – up to 50% tread wear

Tire :No charge for a new direct replacement tire.

Labor : No charge for mounting and balancing – to the tire's original purchaser if the tire was factory or dealer installed.

You pay for mounting and balancing - if the tire was sold un-installed.

Replacement Charges – after 50% tread wear

Tire : 50% charge for a new direct replacement tire.

Labor : 50% charge for mounting and balancing.

This Warranty Does Not Cover

- Tires installed on non-CMSI vehicles
- Tires worn beyond the service limit specified in the appropriate Owners Manual.
- Tires rendered unserviceable by road hazard damage, such as impact breaks, punctures, cuts, or snags.
- Tires rendered unserviceable by running while flat, spinning, improper inflation, overloading, misalignment, improper mounting during replacement of after repair, or installation on unsuitable rims.
- Tires rendered unserviceable due to abuse or misuse such as towing a trailer.
- Tube-type tires fitted without inner tubes.
- Tires which have been repaired.
- Tires whose sidewalls have been modified by the addition or removal of material.
- Tires with superficial weathering, checking, or cracking.
- Tires used in racing or other competition.

DISTRIBUTOR'S LIMITED WARRANTY – REPLACEMENT PARTS

Warranty Time Period: See “Warranty Coverage Table” on page 4 of Warranty Section.

Coverage begins: The date of purchase from an Authorized CMSI Dealer.

To qualify for this warranty, the genuine CMSI part

- Must have been purchased from an Authorized CMSI Dealer.
- Must have been used in an application for which it was designed.

Warranty Coverage

- CMSI Inc will repair or replace, at its option, any genuine CMSI part that is defective in material or workmanship under normal use.
- Proof of date of purchase is required.

Parts installed by an Authorized CMSI Dealer:

Parts & Labor : No charge.

Parts not installed by an Authorized CMSI Dealer:

Parts : No charge

Labor : You pay for removal/installation charges

This Replacement Parts Warranty Does Not Cover

The following exclusions apply specifically to replacement parts in addition to the exclusions listed:

- Tires (Refer to Distributor's Limited Warranty – Motorcycle Tires)
- The motorcycle in which the part is installed.
- The color match of painted components (CMSI makes no warranty, expressed or implied, regarding the color match of painted components).

REPORTING SAFETY DEFECTS

If you believe that your vehicle has a defect which could cause an accident or could cause injury or death, you should immediately inform the National Highway Traffic Safety Administration (NHTSA) in addition to notifying CMSI Inc.

If NHTSA receives similar complaints, it may open an investigation, and if it finds that a safety defect exists in a group of vehicles, it may order a recall and remedy campaign. For this reason it is very important for you to notify CMSI of any change of address or ownership. NHTSA cannot become involved in individual problems between you, your dealer or CMSI.

To contact NHTSA, you may either call the Auto Safety Hotline toll-free at 1-800-424-9393 (or 202-366-0123 in Washington DC area) or write to :NHTSA, US Department of Transportation, Washington DC 20590. You can also obtain other information about motor vehicle safety from the hotline.

EMISSION CONTROL SYSTEM WARRANTY US EPA

The following warranty applies to the emission control system and is in addition to the LIMITED WARRANTY and NOISE CONTROL SYSTEM WARRANTY.

CMSI Inc. warrants to the first owner and each subsequent owner that his vehicle is designed and built so as to conform at the time of sale with applicable regulations of the US Federal Environmental Protection Agency at the time of manufacture and that it is free from defects in materials and workmanship which cause the motorcycle not to meet US Environmental Protection Agency Standards within the following:

If an emission-related part on your motorcycle is defective, the part will be repaired or replaced by CMSI. This is your emission control system DEFECTS WARRANTY.

The warranty period shall begin on the date the motorcycle is delivered to the first retail purchaser or, if the motorcycle is placed in service as a demonstrator or company vehicle prior to sale at retail, on the date it is first placed in service.

The following items are not covered by the emission control system warranty:

1. Failures which arise as a result of misuse, alterations, accident or non-performance of maintenance as specified in the Owners' Manual.
2. The replacement of parts (such as spark plugs, fuel and oil filters, etc.) used in required maintenance.
3. Loss of time, inconvenience, loss of motorcycle use or other consequential damages.
4. Any motorcycle on which the odometer mileage has been changed so that the mileage cannot be determined.

RECOMMENDATIONS FOR REQUIRED MAINTENANCE

IT IS RECOMMENDED THAT ANY EMISSION SYSTEM MAINTENANCE BE PERFORMED BY AN AUTHORIZED CMSI DEALER USING GENUINE CMSI REPLACEMENT PARTS. THE MAINTENANCE, REPLACEMENT OR REPAIR OF THE EMISSION CONTROL SYSTEM MAY BE PERFORMED BY ANY OTHER QUALIFIED SERVICE OUTLET OR INDIVIDUAL. NON-GENUINE PARTS MAY BE USED ONLY IF SUCH PARTS ARE CERTIFIED TO COMPLY WITH US ENVIRONMENTSL PROTECTION AGENCY STANDARDS.

US Emission Control System (California)

YOUR WARRANTY RIGHTS AND OBLIGATIONS

The California Air Resources Board and CMSI, Inc. (hereafter “CMSI”) are pleased to explain the emission control system warranty on your 2005 and later motorcycle. In California new motor vehicles must be designed, built and equipped to meet the State’s stringent anti-smog standards. CMSI must warrant the emission control system on your motorcycle for the periods of time listed below provided there has been no abuse, neglect or improper maintenance of your motorcycle.

Your emission control system may include parts such as the carburetor or fuel injection system, catalytic converter and engine computer. Also included may be hoses, belts, connectors and other emission-related assemblies.

Where a warrantable condition exists, CMSI, Inc will repair your motorcycle at no cost to you, including diagnosis, parts and labor.

MANUFACTURER’S WARRANTY COVERAGE

See “Warranty Coverage Table” on page 4 of warranty section.

OWNER’S WARRANTY RESPONSIBILITIES

- As the motorcycle owner, you are responsible for the performance of the required maintenance listed in your owners’ manual. CMSI recommends that you retain all receipts covering maintenance on your motorcycle, but CMSI cannot deny warranty solely for the lack of receipts or for your failure to ensure the performance of all scheduled maintenance.
- You are responsible for presenting your motorcycle to a CMSI dealer as soon as a problem exists. The warranty repairs should be completed in a reasonable amount of time, not to exceed 30 days.
- As the motorcycle owner, you should be aware that CMSI may deny your warranty coverage if your motorcycle or a part has failed due to abuse, neglect, improper maintenance or unapproved modifications.

If you have any questions regarding your warranty rights and responsibilities, you should contact CMSI, Inc. P.O. Box 969, 8146 304th Ave SE, Preston, WA 98050, or the California Air Resources Board at P.O.Box 8001, 9528 Telstar Avenue, El Monte, CA 91734-8001.

CMSI, Inc., 8146 304th Ave SE, Preston, WA 98050, (hereinafter “CMSI”) warrants that each new CMSI motorcycle includes as standard equipment a headlight, taillight and stoplight, and is street legal:

- A. is designed, built and equipped so as to conform at the time of initial retail purchase with all applicable regulations of the United States Environmental Protection Agency, and the California Air Resources Board; and
 - B. is free from defects in material and workmanship which cause such motorcycle to fail to conform with applicable regulations of the United States Environmental Protection Agency or the California Air Resources Board for a period of use (See Warranty Coverage Table on page 4 of warranty section).
- I. COVERAGE.** Warranty defects shall be remedied during customary business hours at any authorized CMSI dealer located within the United States of America in compliance with the Clean Air Act and applicable regulations of the United States Environmental Protection Agency and the California Air Resources Board. Any part or parts replaced under this warranty shall become the property of CMSI.

In the State of California only, emission related warranted parts are specifically defined by the state's Emission Warranty Parts List. These warranted parts are: carburetor and internal parts; intake manifold; fuel tank; fuel injection system; spark advance mechanism; crankcase breather; air cutoff valves; fuel tank cap for evaporative emission controlled vehicles; oil filter cap; pressure control valve; fuel/vapor separator; canister; igniters; breaker governors; ignition coils; ignition wires; ignition points; condensers; and spark plugs if failure occurs prior to the first scheduled replacement ; and hoses, clamps, fittings and tubing used directly in these parts. Since emission related parts may vary from model to model, certain models may not contain all of these parts and certain models may contain functionally equivalent parts.

In the State of California only, Emission Control System emergency repairs, as provided for in the California Administrative Code, may be performed by other than an authorized CMSI dealer. An emergency situation occurs when an authorized CMSI dealer is not reasonably available, a part is not available within 30 days, or a repair is not completed within 30 days. Any replacement part can used in an emergency repair. CMSI will reimburse the owner for the expenses, including diagnosis, not to exceed CMSI suggested retail price for all warranted parts replaced and labor charges based on CMSI recommended time allowance for the warranty repair and the geographically appropriate hourly labor rate. The owner may be required to keep receipts and failed parts in order to receive compensation.

II. LIMITATIONS. This Emission Control System warranty shall not cover any of the following:

A. Repair or replacement required as a result of

- (1) accident,
- (2) misuse,
- (3) repairs improperly performed or replacements improperly installed,
- (4) use of replacement parts or accessories not conforming to CMSI, Inc. specifications which adversely affect performance and/or
- (5) use in competitive racing or related events.

B. Inspections, replacement of parts and other services and adjustments required for required maintenance.

C. Any motorcycle on which the odometer mileage has been changed so that actual mileage cannot be readily determined.

III. LIMITED LAIBILITY

- A.** The liability of CMSI under this Emission Control System Warranty is limited solely to the remedying of defects in material or workmanship by an authorized CMSI motorcycle dealer at its place of business during customary business hours. This warranty does not cover inconvenience or loss of use of the motorcycle or transportation of the motorcycle to or from the CMSI dealer. CMSI SHALL NOT LIABLE FOR ANY OTHER EXPENSES, LOSS OR DAMAGE, EITHER DIRECT, INCIDENTAL, CONSEQUENTIAL OR EXEMPLARY ARISING IN CONNECTION WITH THE SALE OR USE OF OR INABILITY TO USE THE CMSI MOTORCYCLE FOR ANY PURPOSE. SOME STATES DO NOT ALLOW THE EXCLUSION OR LIMITATION OF ANY INCIDENTAL OR CONSEQUENTIAL DAMAGES, SO THE ABOVE LIMITATIONS MAY NOT APPLY TO YOU.
- B.** No express emission control system warranty is give by cmsi except as specifically set forth herein. Any emission control system warranty implied by law, including any warranty of merchantability or fitness for a particular purpose, is limited to the express emission control system warranty terms stated in this warranty. The forgoing statements of warranty are exclusive and in lieu of all other remedies. Some states do not allow limitations on how long an implied warranty lasts so the above limitations may not apply to you.

C. No dealer is authorized to modify this CMSI Limited Emission Control System Warranty.

IV. **LEGAL RIGHTS.** This warranty gives you specific legal rights, and you may also have other rights, which vary from state to state.

V. **THIS WARRANTY IS IN ADDITION TO THE CMSI LIMITED MOTORCYCLE WARRANTY.**

VI. **ADDITIONAL INFORMATION.** Any replacement part that is equivalent in performance and durability may be used in the performance of any maintenance or repairs. However, CMSI is not liable for these parts. The owner is responsible for the performance of all required maintenance. Any individual or service establishment may perform such maintenance. The warranty period begins on the date the motorcycle is delivered to ultimate purchaser.



8146 304th Ave SE
Preston, WA 98050

www.cmsiinc.com