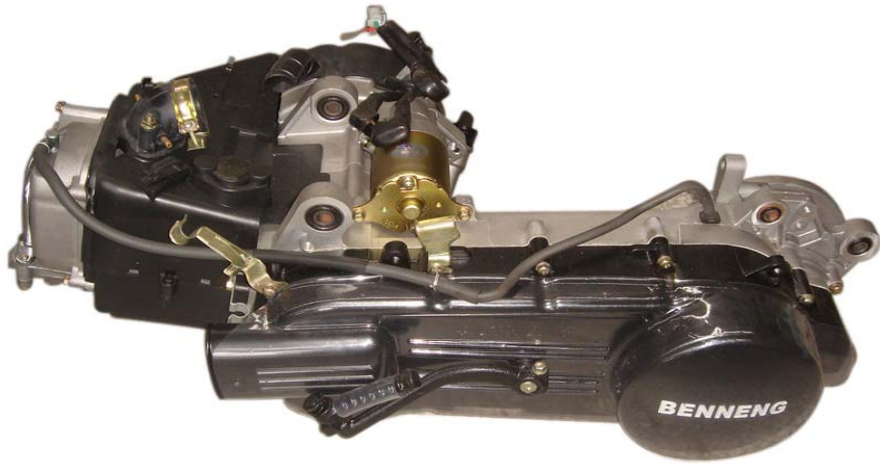
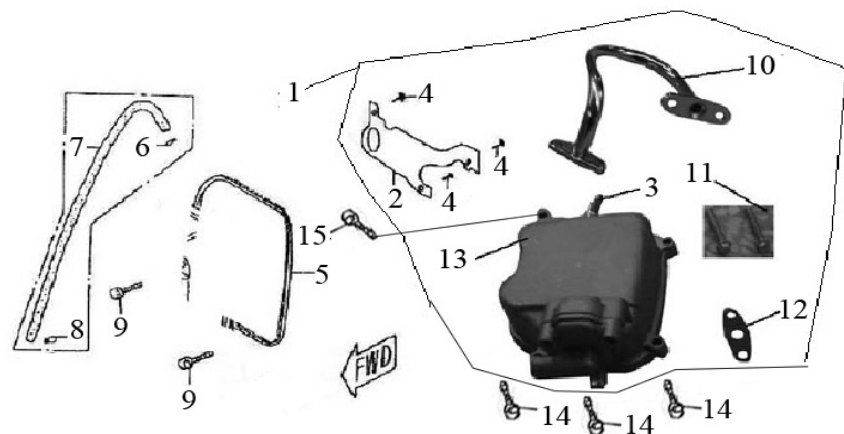


BN157QMJ GY6长箱体发动机150CC

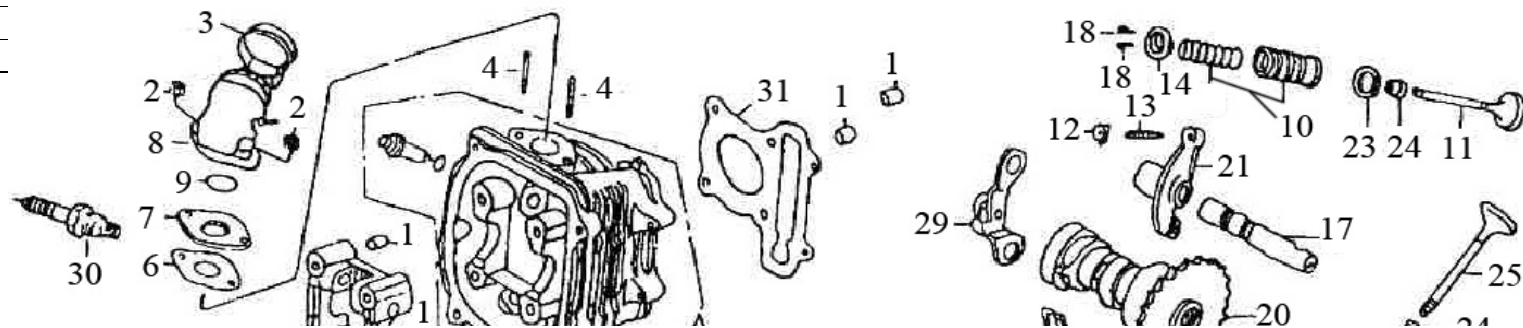


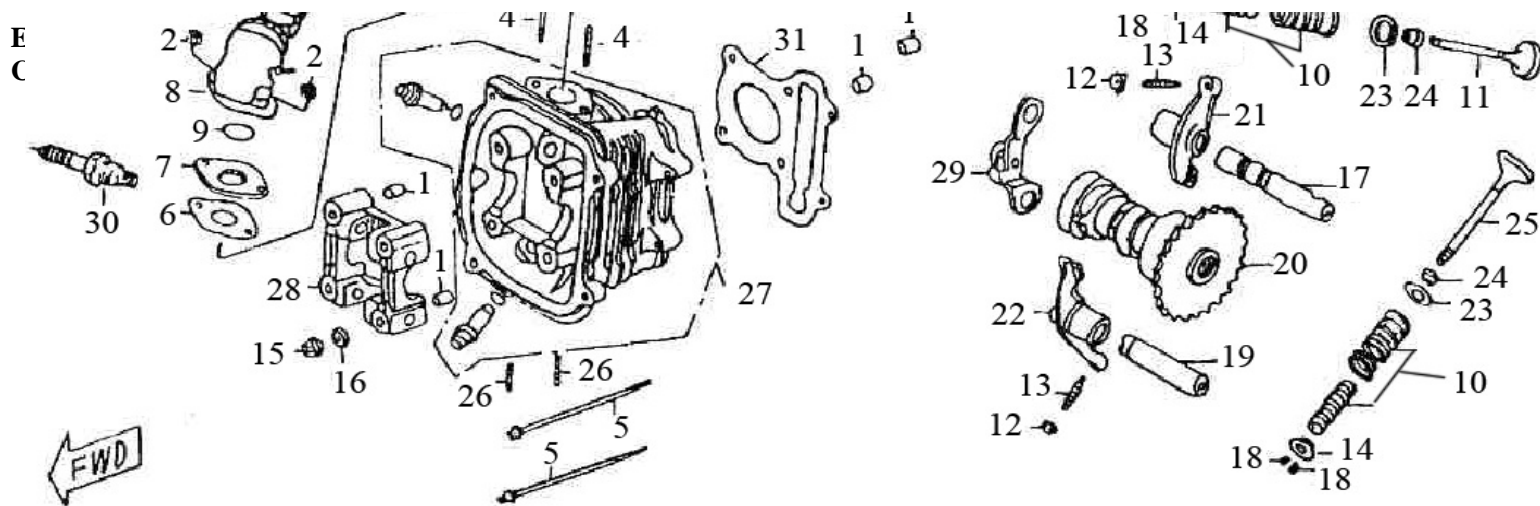
E-1	Cylinder Head Cover	
E-2	Cylinder Head	
E-3	Cylinder	Updated times: NO 1
E-4	Crankshaft · Connecting Rod · Piston	
E-5	Crankcase-L	
E-6	Left Crankcase Cover	
E-7	Crankcase R	Update date: 2007. 10. 08
E-8	Right Crankcase Cover	
E-9	Transmission	
E-10	Generator	
E-11	Starting Motor	
E-12	Oil Pump	
E-13	Fan Cover · Shroud	

E-1气缸头盖组
Cylinder Head Cover



序号	图号及条形码	英文名称		unit					
No	Part no	Description		Qty	CORE	VL Only	ML/LB Only	GS Only	FT150S
1	BN152QMI-0100000	cylinder head cover groupware		1					
2	BN152QMI-0100002	PRESSURE PLATE BREATHER		1					
3	BN152QMI-0101000	TUBE BREATHER	X	1					
4	GB845-85	SCREW ST4.2×8-F-H		3					
5	BN152QMI-0100003	GASKET HEAD COVER	X	1					
6	BN152QMI-0100004	CLIP TUBE(A)		1					
7	BN152QMI-0100005	AIR TUBE		1					
8	BN152QMI-0100006	CLIP TUBE(B)		1					
9	GB5787-1986	BOLT M6×25	X	2					
10	BN152QMI-0100006	aerate syphon	X	1					
11	GB5787-1986	aerate syphon install boltM6×25	X	2					
12	BN152QMI-0100007	aerate syphon airproof gasket	X	1					
13	BN152QMI-0100000	cylinder head cover	X	1					

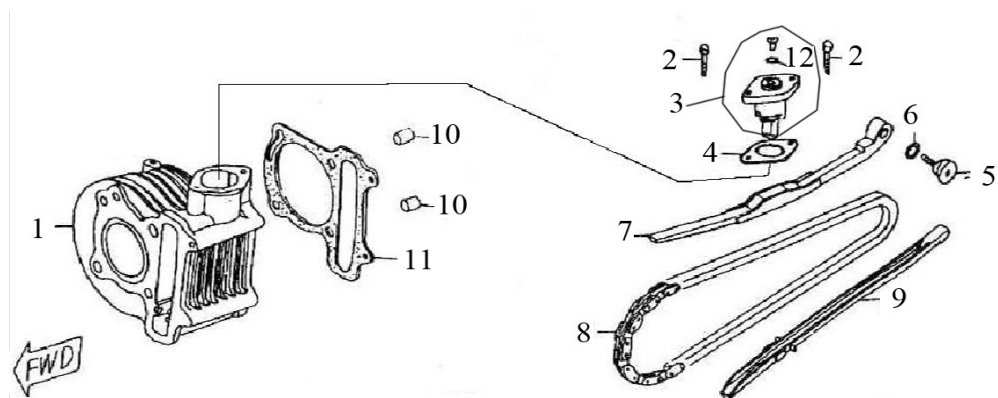




序号	图号及条形码	英文名称		unit					
No	Part no	Description		Qty	CORE	VL Only	ML/LB Only	GS Only	FT150S
1	BN152QMI-0200001	PIN DOWEL		4					
2	GB6177-86	NUT M6		2					
3	BN152QMI-0202001	CLIP TUBE ASSY	X	1					
4	GB901-86	STUD M6×63	X	2					
5	GB5787-1986	HEXAGEN FLANGE SCREW M6X100	X	2					
6	BN152QMI-0200003	GASKET CARBURETOR INSULATOR	X	1					
7	BN152QMI-0200004	INSULATOR CARBURETOR	X	1					
8	BN157QMJ-0202000	INTAKE TUBE ASSY	X	1					
9	BN152QMI-0200005	O RING 27×2.0	X	1					
10	BN152QMI-0200006	SPRING VALVE INNER, OUTER	X	2					
11	BN157QMJ-0200008	VALVE INTAKE	X	1					
12	BN152QMI-0200009	NUT TAPPET ADJUSTING	X	2					
13	BN152QMI-0200010	SCREW TAPPET ADJUSTING	X	2					
14	BN152QMI-0200011	RETAINER VALVE SPRING	X	2					
15	GB6177-86	NUT M8		4					
16	GB97.2-85	WASHER 8		4					
17	BN152QMI-0203000	SHAFT COMP INTAKE VALVE ROCKER	X	1					
18	BN152QMI-0200012	VALVE CONE HALF	X	4					
19	BN152QMI-0200013	SHAFT EXVALVE ROCKER ARM		1					
20	BN152QMI-0204000	CAMSHAFT GROUP	X	1					
21	BN152QMI-0200014	ROCKER ARM INNER	X	1					

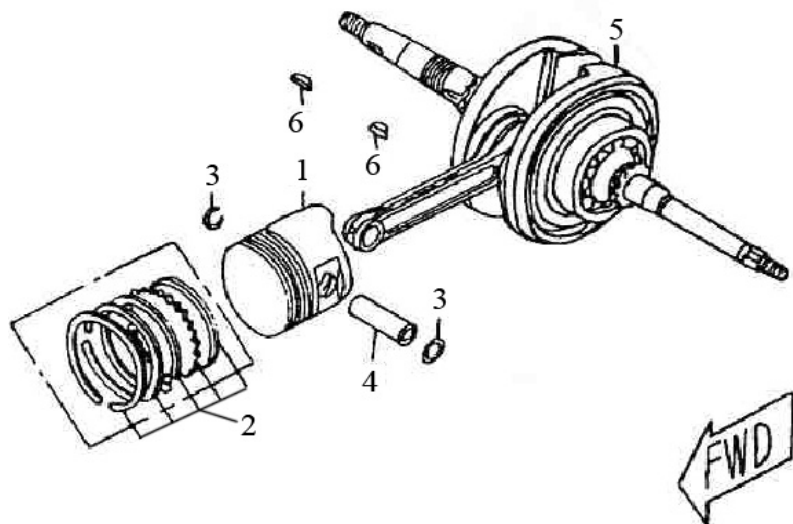
22	BN152QMI-0200019	ROCKER ARM OUTER	X	1					
23	BN152QMI-0200015	VALVE SPRING RETAINER	X	1					
24	BN152QMI-0205000	VALVE OIL SEAL ASSY	X	1					
25	BN157QMJ-0200016	EXHAUST VALVE	X	1					
26	GB901-86	DOUBLE END STUDS M6×32	X	2					
27	BN157QMJ-0206000	CYLINDER HEAD ASSY		1					
28	BN152QMI-0200017	HOLDER CAMSHAFT	X	1					
29	BN152QMI-0207000	SINGLE STOPPER COMP		1					
30	BN152QMI-0200018	SPARK PLUG	X	1					
31	BN157QMJ-0000001	GASKET CYLINDER HEAD	X	1					

E-3气缸 Cylinder



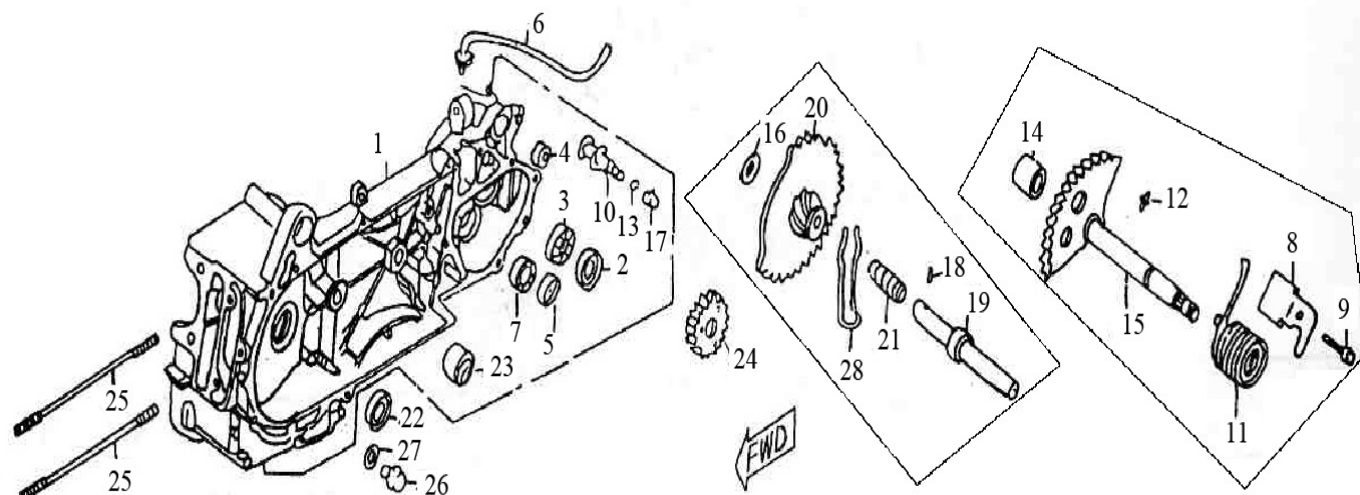
序号	图号及条形码	英文名称		unit					
No	Part no	Description		Qty	CORE	VL Only	ML/LB Only	GS Only	FT150S
1	BN157QMJ-0301000	CYLINDER	X	1					
2	GB5787-1986	BOLT M6×20		2					
3	BN152QMI-0302000	CHAIN ADJUSTER ASSY	X	1					
4	BN152QMI-0300001	GASKET CHAIN ADJUSTER	X	1					
5	BN152QMI-0300002	CAM CHAIN SCREW		1					
6	BN152QMI-0300003	O-RLING 15.2×1.5		1					
7	BN152QMI-0303000	TENSION ROD CHAIN	X	1					
8	BN152QMI-0304000	CHAIN CAM	X	1					
9	BN152QMI-0305000	GUIDE COMP CHAIN	X	1					
10	BN152QMI-0300004	PIN DOWEL 10×16		2					
11	BN157QMJ-0000002	GASKET CYLINDER	X	1					
12	BN152QMI-0302001	9.5*1.5 o ring		1					

E-4 曲轴·连杆·活塞
Crankshaft·Connect



序号	图号及条形码	英文名称		unit					
No	Part no	Description		Qty	CORE	VL Only	ML/LB Only	GS Only	FT150S
1	BN157QMJ-0900001	PISTON	X	1					
2	BN157QMJ-0900007	piston ring .comp	X	1					
3	BN157QMJ-0900004	CLIP PISTON PIN	X	2					
4	BN157QMJ-0900005	PISTON PIN	X	1					
5	BN157QMJ-0902000	CRANKSHAFT CONNECTING-ROD ASSY	X	1					
6	BN152QMI-0900006	WOODRUFF KEY	X	2					

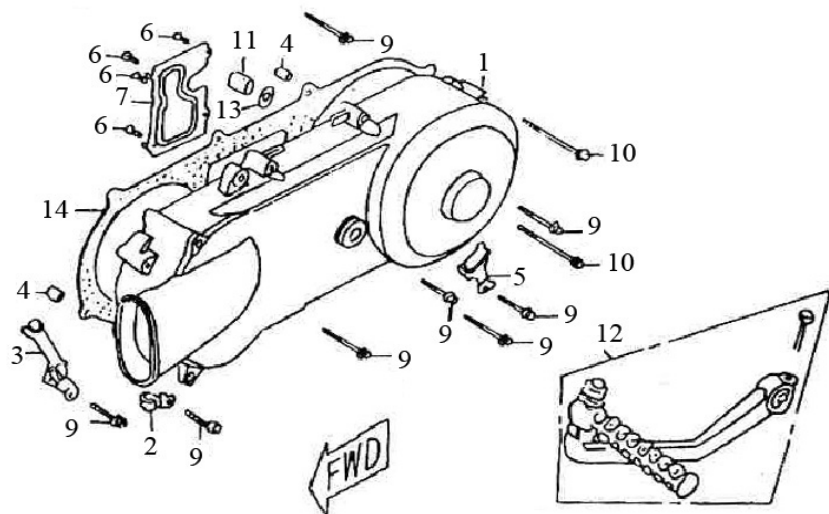
E-5 左曲轴箱体组 Crankcase



序号	No								
1	BN152QMI-0601000	CRANDCASE ASSY-L(long)	X	1					
2	BN152QMI-0600001	OIL SEAL 27×42×7	X	1					
3	GB292-83	BEARING RADIAL BALL6004	X	1					
4	BN152QMI-0602000	SHOCK ABSORBER TUBE	X	1					
5	GB292-83	BEARING RADIAL BALL 6002	X	1					
6	BN152QMI-0603002	TUBE BREATHER ASSY		1					
7	GB292-83	BEARING RADIAL ALL 6301	X	1					
8	BN152QMI-0600002	PLATE KICK RETURN STOPPER	X	1					
9	GB5787-1986	BOLT M6×14		1					
10	BN152QMI-0604000	PIN BRAKE SHOE ANCHOR ASSY	X	1					
11	BN152QMI-0600003	SPRING KICK STARTER	X	1					
12	BN152QMI-0600004	PIN SPECIAL	X	1					
13	BN152QMI-0600005	O RING 7.5×1.5	X	1					
14	BN152QMI-0600006	BUSH	X	1					
15	BN152QMI-0605000	GRASP KICK STARTER DRIVE	X	1					
16	BN152QMI-0600007	WASH12.5		1					
17	GB5789-86	NUT M8		1					
18	GB119-86	PIN B3×8	XX	1					
19	BN152QMI-0600009	SHAFT STARTER IDLE	X	1					
20	BN152QMI-0606000	GEAR COMP STARTER IDLE ASSY	X	1					
21	BN152QMI-0600010	SPRING STARTER IDLE	X	1					

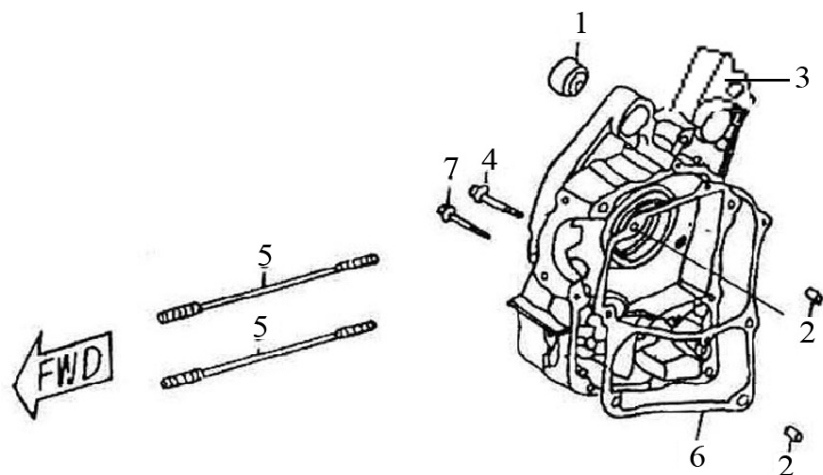
22	BN152QMI-0600011	OIL SEAL19.8×30×5	X	1					
23	BN152QMI-0607000	BUSH	X	1					
24	BN152QMI-0600012	GEAR KICK DRIVEN	X	1					
25	BN152QMI-0600013	DOUBLE END STUDS M8X196.5	X	2					
26	BN152QMI-0600015	OIL PLUG	X	1					
27	BN152QMI-0600016	OIL PLUG M12×1.5×15	X	1					
28	BN152QMI-0600014	SPRING STARTER GEAR FRICTIDN	X	1					

E-6 左曲轴箱盖组
Left Crankcase Cover



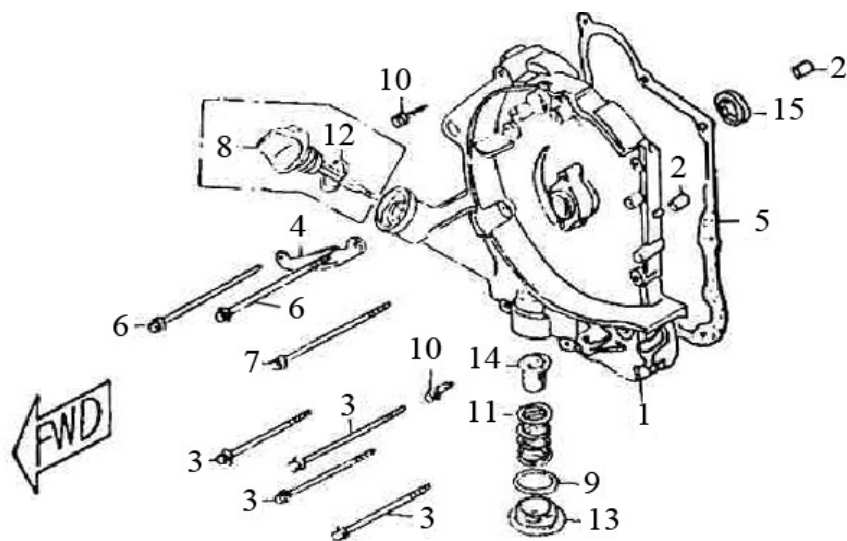
序号	图号及条形码	英文名称		unit					
No	Part no	Description		Qty	CORE	VL Only	ML/LB Only	GS Only	FT150S
1	BN152QMI-1600001	COVER L(long)	X	1					
2	BN152QMI-1600002	CLAMPER BREATHERDRAIN TUBE		1					
3	BN152QMI-1601000	CLAMPER THROTTLE CABLE		1					
4	BN152QMI-1000001	PIN DOWEL M8X14		2					
5	BN152QMI-1600004	CLAMPER BRAKE CABLE		1					
6	GB845-85	SCREW ST4.2×8-C-H		4					
7	BN152QMI-1600005	PLATEL COVER		1					
8	BN152QMI-1600006	FIXING STAND		1					
9	GB5787-1986	BOLT M6×40	X	8					
10	GB5787-1986	BOLT M6×65	X	2					
11	BN152QMI-0600017	BUSH RIUKSPINLE		1					
12	BN152QMI-1602000	ARM ASSY KICK STARER	X	1					
13	BN152QMI-0600018	WASHER		1					
14	BN152QMI-0000006	GASKETT LCOVER	X	1					

E-7 右曲轴箱体组
Crankcase R



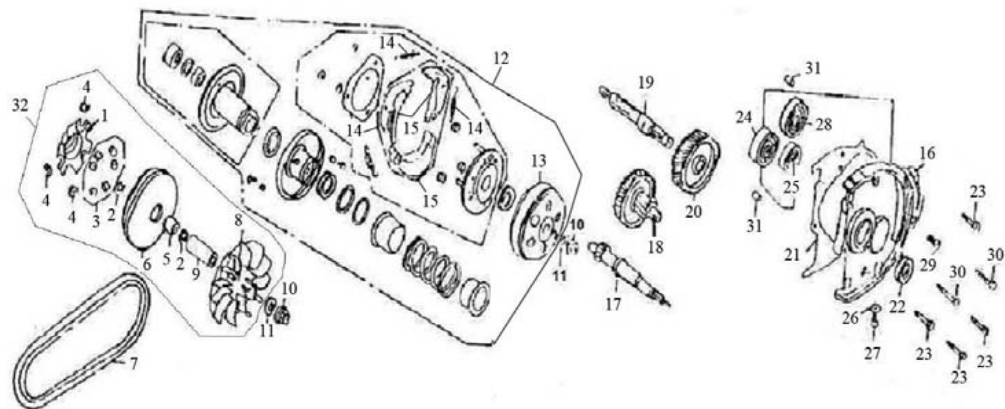
序号	图号及条形码	英文名称		unit					
No	Part no	Description		Qty	CORE	VL Only	ML/LB Only	GS Only	FT150S
1	BN152QMI-0607000	BUSH ENGINING HANGER	X	1					
2	BN152QMI-1000001	PIN DOWEL8×14		2					
3	BN152QMI-100200	CRANKCASE ASSY R	X	1					
4	GB5787-1986	BOLT M6×50	X	2					
5	BN152QMI-1000002	DOUBLE END STUDS M8X185.5	X	2					
6	BN152QMI-0000004	GASKET CRANDCASER	X	1					

E-8 右曲轴箱盖组
Right Crankcase Co



序号	图号及条形码	英文名称		unit					
No	Part no	Description		Qty	CORE	VL Only	ML/LB Only	GS Only	FT150S
1	BN152QMI-1300001	COVER R CRANKCASE COMP	X	1					
2	BN152QMI-1000001	PIN DOWEL 8X14		2					
3	GB5787-1986	BOLT M6×95	X	4					
4	BN152QMI-1300003	CLAMPER MAGNETO		1					
5	BN152QMI-0000003	GASKET R CRANKCASE COVER	X	1					
6	GB5787-1986	BOLT M6×110	X	2					
7	GB5787-1986	BOLT M6×100	X	1					
8	BN152QMI-1300004	OIL LEVEL STICK	X	1					
9	BN152QMI-1300007	O RING30.8x3.1	X	1					
10	GB5787-1986	BOLT M6×32		2					
11	BN152QMI-1300006	SPRING OIL FILTER MESH	X	1					
12	BN152QMI-1300005	O RING18×3	X	1					
13	BN152QMI-1300008	CAP OIL FILTER	X	1					
14	BN152QMI-1301000	MESH OIL FILTER	X	1					
15	BN152QMI-1300009	OIL SEAL19.8×30×5	X	1					

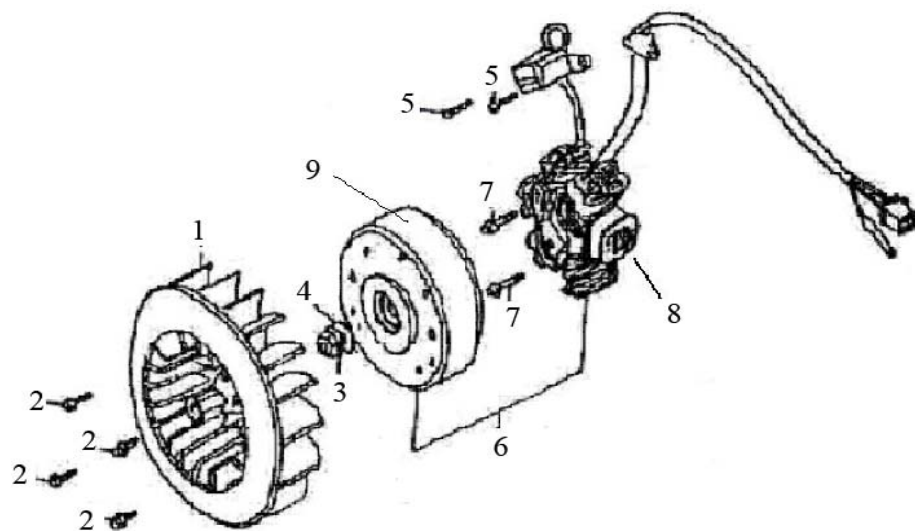
E-9 传动系统 Transmission



序号	图号及条形码	英文名称		unit					
No	Part no	Description		Qty	CORE	VL Only	ML/LB Only	GS Only	FT150S
1	BN152QMI-1501001	PLART RAMP		1					
2	BN152QMI-1501002	CLIP		2					
3	BN157QMJ-1501003	ROLLER SET WEIGHT	X	6					
4	BN152QMI-1501004	PIECE SLIDE		3					
5	BN152QMI-1501005	COLLAR DRIVE FACE		1					
6	BN152QMI-1501006	FACE COMP MOVABLE DRIVE		1					
7	BN157QMJ-1500006	BELT DRIVE	X	1					
8	BN152QMI-1501007	FACE DRIVE		1					
9	BN152QMI-1501008	BOSS DRIVE FACE		1					
10	GB6181-86	NUT M12×1.25		2					
11	BN152QMI-1500009	WASHER φ12.2X19X2.5		2					
12	BN157QMJ-1502000	PULLEY ASSY DRIVEN	X	1					
13	BN152QMI-1502001	OUTER CLUTCH		1					
14	BN157QMJ-1502002	Spring clutch		3					
15	BN157QMJ-1502003	Weight set clutch		3					
16	BN152QMI-1504003	GEAR BOX CASE	X	1					
17	BN152QMI-1500010	INPUT SHAFT	X	1					
18	BN152QMI-1505002	MID GEAR	X	1					
19	BN152QMI-1500011	OUTPUT SHAFT	X	1					
20	BN152QMI-1500012	FINAL GEAR	X	1					
21	BN152QMI-0000005	PAPER CUSHION GEAR	X	1					

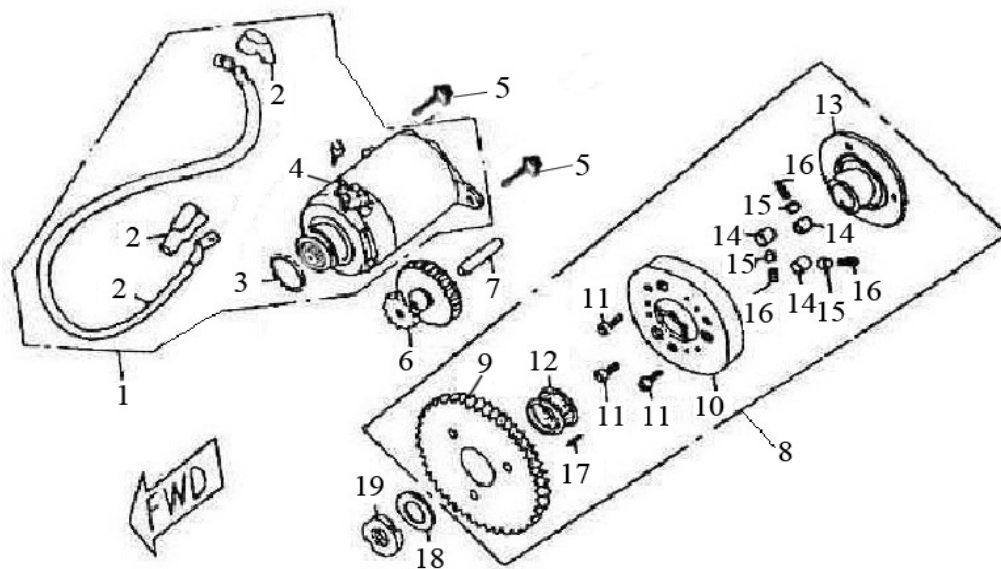
22	BN152QMI-1504001	OIL SEAL20×32×6	X	1					
23	GB5787-1986	BOLT M6×28		4					
24	GB292-83	BEARING RADIAL BALL 6204	X	1					
25	GB292-83	BEARING RADIAL BALL 6202	X	1					
26	GB95-85-8	WASHER 8		1					
27	GB5787-1986	BOLT M8×12		1					
28	GB292-83	BEARING RADIAL BALL6203	X	1					
29	BN152QMI-1504002	BOLT SPECIAL M8×12		1					
30	GB5787-1986	BOLT M6×35		1					
31	BN152QMI-1000001	PIN DOWEL8×14		2					
32	BN157QMJ-1501000	driver wheel groupware	X	1					

E-10发电机 Generator



序号	图号及条形码	英文名称		unit					
No	Part no	Description		Qty	CORE	VL Only	ML/LB Only	GS Only	FT150S
1	BN152QMI-1101000	FAN COMP COOLING	X	1					
2	GB5787-1986	BOLT M6×18		4					
3	BN152QMI-1100001	NUT M12X1.25		1					
4	BN152QMI-1100002	WASHER φ12X2.5		1					
5	GB5787-1986	BOLT M5×12		2					
6	BN152QMI-1102000	MAGNETO ASSY	X	1					
7	GB5787-1986	BOLT M6×22		2					
8	BN152QMI-1102001	STATOR,GENERATOR		1					
9	BN152QMI-1102002	ROTOR,GENERATOR		1					

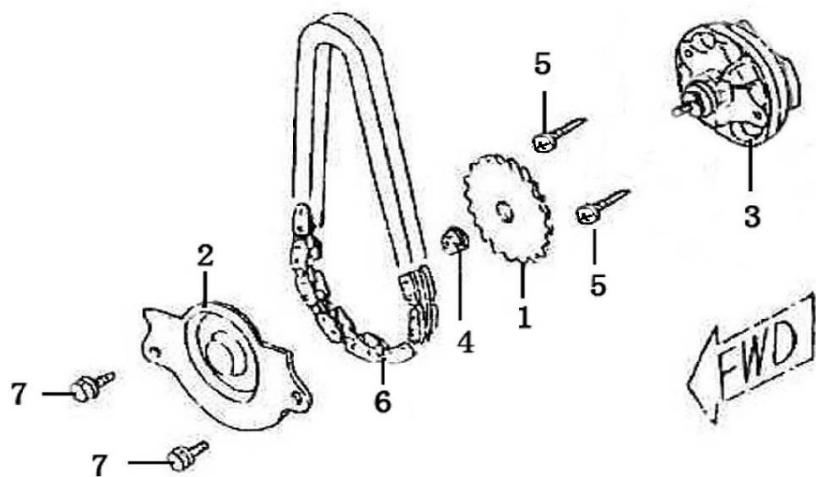
E-11 起动机机组 Starting Motor



序号	图号及条形码	英文名称		unit					
No	Part no	Description		Qty	CORE	VL Only	ML/LB Only	GS Only	FT150S
1	BN152QMI-1201000	STARTING MOTOR ASSY	X	1					
2	BN152QMI-1201002	CABLE STARTING MOTOR		1					
3	BN152QMI-1201003	O-RING		1					
4	BN152QMI-1201001	STARTING MOTOR		1					
5	GB5787-1986	BOLT M6×16		2					
6	BN152QMI-1200001	GEAR STARTER REDUCTION	X	1					
7	BN152QMI-1200002	SHAFT STARTER REDUCTION GEAR	X	1					
8	BN152QMI-1202000	CLUTCH ASSY	X	1					
9	BN152QMI-1202001	GEAR CLUTCH ASSY		1					
10	BN152QMI-1202002	OUTER COMP CLUTCH ASSY		1					
11	GB70-85	SCREW M6×12		3					
12	BN152QMI-1202003	BEARING NEEDLE		1					
13	BN152QMI-1202004	FLANGE CLUTCH ASSY		1					
14	BN152QMI-1202005	ROLLER		3					
15	BN152QMI-1202006	CAP STARING CLUTCH SPRING		3					
16	BN152QMI-1202007	SPRING STARTING CLUTCH ROLLER		3					

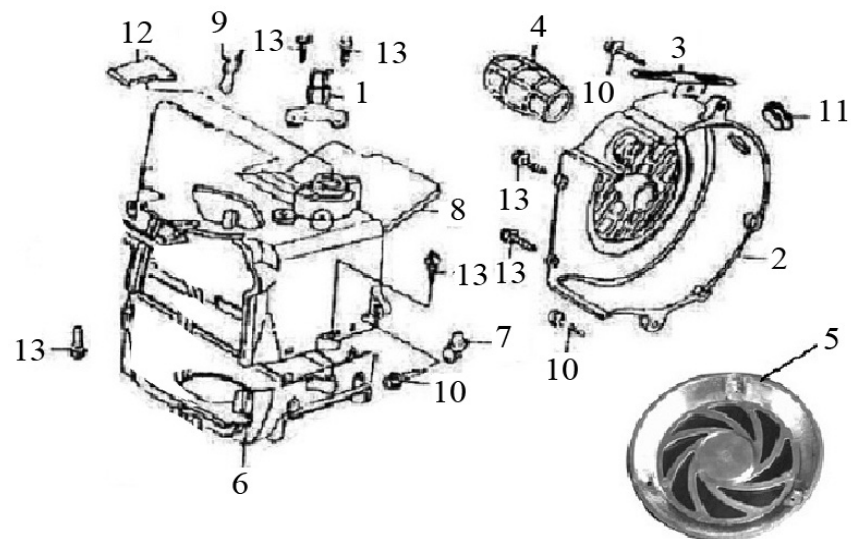
17	BN152QMI-1202008	PIN DOWEL		1					
18	BN152QMI-1200003	WASHER	X	1					
19	BN152QMI-1202004	NUT LOCK	X	1					

E-12 机油泵 Oil Pump



序号	图号及条形码	英文名称		unit					
No	Part no	Description		Qty	CORE	VL Only	ML/LB Only	GS Only	FT150S
1	BN152QMI-1400001	SPROCKET DRIVE	X	1					
2	BN152QMI-1400002	SEPARATOR OIL		1					
3	BN157QMJ-1401000	PUMP ASSY OIL	X	1					
4	GB6117-86	NUT M6		1					
5	GB5787-1986	BOLT M6×25		2					
6	BN152QMI-1400003	CHAIN OIL PUMP	X	1					
7	GB5787-1986	BOLT M6×12		2					

E-13 风扇盖·引擎罩
Fan Cover·Shroud



序号	图号及条形码	英文名称		unit					
No	Part no	Description		Qty	CORE	VL Only	ML/LB Only	GS Only	FT150S
1	BN152QMI-0501000	CLAMPER BREATHER TUBE	X	1					
2	BN152QMI-0502000	BUST SHROUD	X	1					
3	BN152QMI-0500001	CLAMPER STARTER CABLE		1					
4	BN152QMI-0500002	aerate pipe	X	1					
5	BN152QMI-0504000	decorate cover, fan cowling	X	1					
6	BN152QMI-0500004	SHROUD COMP A	X	1					
7	BN152QMI-0500009	CLAMPER OVERFLOW TUBE		1					
8	BN152QMI-0503000	SHROUD COMP B	X	1					
9	BN152QMI-0500006	CLIP HIGH TENSION CORD		1					
10	GB5787-1986	BOLT M6×25		3					
11	BN152QMI-0500008	GROMMET SHROUD A	X	1					
12	BN152QMI-0500010	GROMMET SHROUD B		1					
13	GB845-85	SCREW TAPPINGST4.8×13-C-H		6					