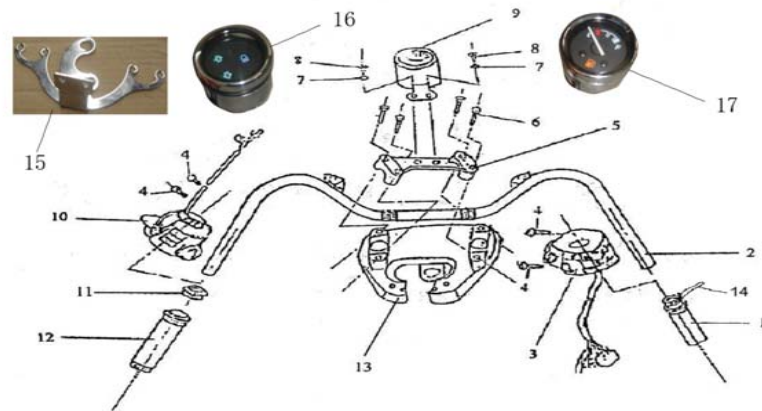


ZN150T-E大龟王150CC

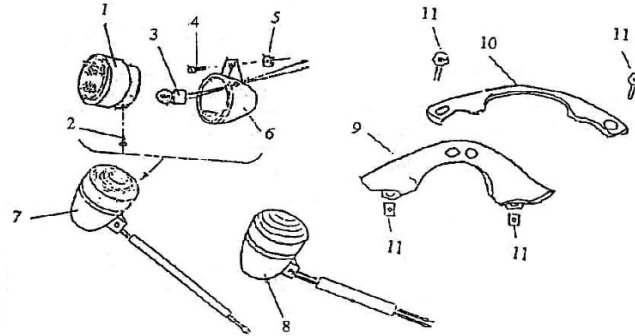


F1 方向把-开关
Hander-switch



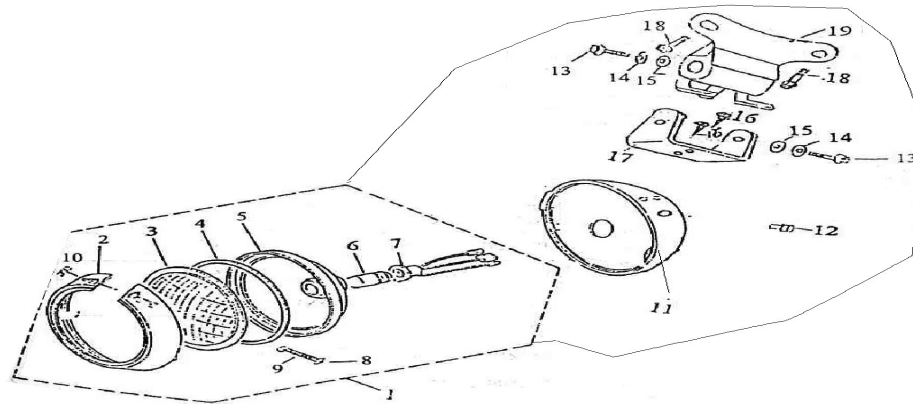
序号	图号	英文名称	数量	
No	part no	Description	Qty	
1	150T-E/017	R handle cove	1	
2	150T-E/016	Hander comp.steeling	1	
3	150T-E/126	R handle combination switch	1	
4	GB818-85	Screw	4	
5	150T-E/042	Fixing seat upper, steering handle	1	
6	GB5787-86	Bolt flange M8X40	4	
7	GB95-86	Washerφ5	2	
8	GB8185	Screw M5X16	2	
9	150T-E/011.1	Speedomter	1	
10	150T-E/015-1	L handle combination switch	1	
11	150T-E/015-2	Dec .l.handle combination switch	1	
12	150T-E/033	L handle cove	1	
13	150T-E/043	Fixing seat lower, steering handle	1	
14	150T-E/027	Cable comp throttle	1	
15	150T-E/011.2	Speedomter frame	1	
16	150T-E/011.3	converting instruction watch	1	
17	150T-E/011.4	oil level watch	1	

F2 前转向灯
Front winker



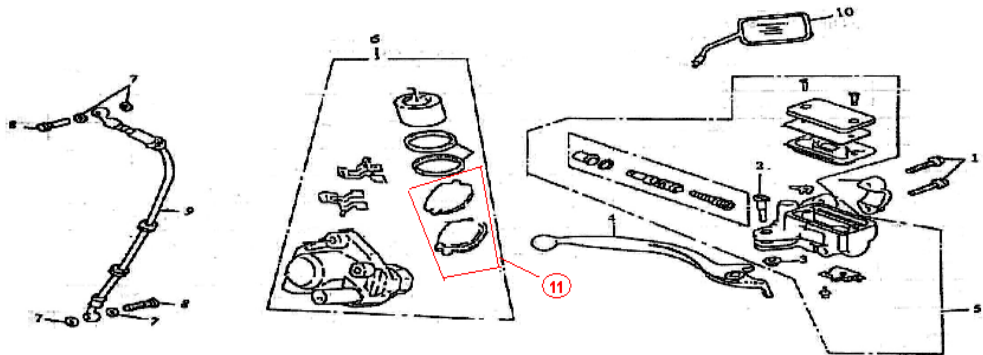
序号	图号	英文名称	数量	
No	part no	Description	Qty	
1	150T-E/035-1	Len.winker Fr	2	
2	BG845-85	Tapping screw ST4.2X16	2	
3	GB15776.1-1995	Bulb 12V 5W	2	
4	GB5787-86	Bolt flange M6X16	2	
5	GB1177-86	Nut flange Fr	2	
6	150T-E/035-2	Body winker Fr	2	
7	150T-E/035(1,2,3,4,5,6)	L.winker Fr	1	
8	150T-E/035-3	R.winker Fr	1	
9	150T-E/065-1	Upper, Front cover cover	1	
10	150T-E/065-2	lower, Front cover cover	1	
11	GB818-85	Screw M6X18	2	
12	ZBT31084-87	Nut spring ST4.2	2	

F3 前 大 灯
Headlight



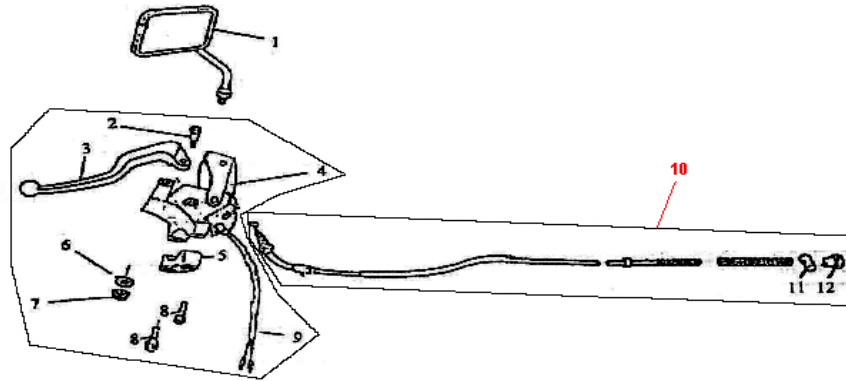
序号	图号	英文名称	数量	
No	part no	Description	Qty	
1	150T-E/032	Socket assy.heaklight	1	
2	150T-E/032-1	Braket heaklight unit	1	US\$1.23
3	150T-E/032-2	Len.headlight unit	1	US\$1.45
4	150T-E/032-3	Washer lock	1	US\$0.11
5	150T-E/032-4	Reflection headlight unit	1	US\$1.34
6	150T-E/032-5	Bulb headlight	1	US\$0.54
7	150T-E/032-6	Socket comp.headlight unit	1	US\$0.17
8	GB818-85	Screw M3X16	1	US\$0.03
9	GB95-86	Washer 3	1	US\$0.01
10	GB6170-86	Unt M3	1	US\$0.02
11	150T-E/032-7	Headlight unit	1	US\$1.69
12	150T-E/032-8	Rubber bush	1	US\$0.11
13	GB5780-86	Bolt M8X12	2	US\$0.02
14	GB95-86	Washer 8	2	US\$0.01
15	GB93-87	Spring washer 8	2	US\$0.01
16	Gb818-85	Screw M5X10	2	US\$0.01
17	150T-E/032-9	Connector headlight unit	1	US\$0.52
18	GB5787-86	Bolt flange M6X12	2	US\$0.02
19	150T-E/032-10	Braket headlight unit	1	US\$0.89

F4右握把
Right grip



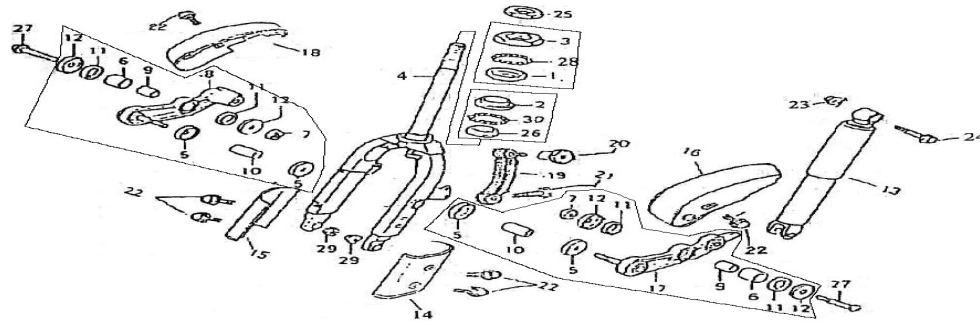
序号 No	图号 part no	英文名称 Description	数量 Qty	
1	GB70-86	Bolt M6X20	2	
2	150T-E/129	Bolt M6X35	1	
3	GB5787-86	Nut flange M6	1	
4	150T-E/090-1	Lever R.steering handle	1	
5	150T-E/090-2	Oiler assy.disk brake Fr.	1	
6	150T-E/090-3	Grip assy.brake Rr.	1	
7	150T-E/090-4	Washer	4	
8	150T-E/090-5	Bolt	2	
9	150T-E/090-6	Tube brake Fr.	1	
10	150T-E/010	Mirror assy.back R.	1	
11	150T-E/090-7	Disc brake piece	2	

F5左握把
Left grip



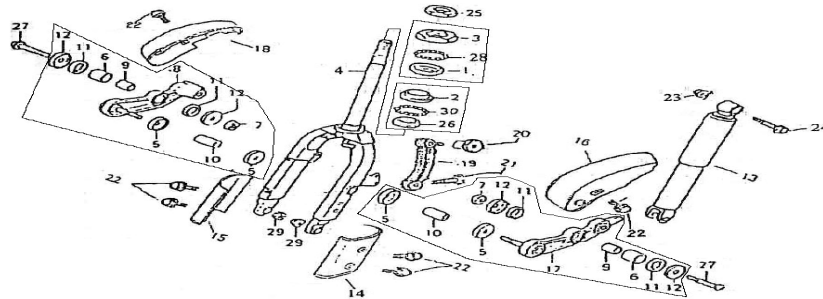
序号 No	图号 part no	英文名称 Description	数量 Qty
1	150T-E/009	Mirror assy.back L.	1
2	150T-E/033-1	Bolt M6X32	1
3	150T-E/033-2	Lever L.steering handle	1
4	150T-E/033-3	Bracket handle	1
5	150T-E/033-4	Band handle bracket	1
6	GB95-86	Washerφ6	1
7	GB6170-86	Nut flange M6	1
8	GB70-86	Bolt M6X20	2
9	150T-E/033-5	Sub cork L.	1
10	150T-E/030-1	Cable comp rear brake	1
11	150T-E/030-2	Toint b brake arm	1
12	150T-E/030-3	Unt b akjust	1

F6前叉·前减震器
Front fork-ushion



序号 No	图号 part no	英文名称 Description	数量 Qty
1	150T-E/106-1	Steering upper ball race	1
2	150T-E/106-2	Steering bottom ball race	1
3	150T-E/106-3	Steering top cone race	1
4	150T-E/093	Font fork	1
5	150T-E/086-1	Dust seal	4
6	150T-E/086-2	Fr.cushion under collar	2
7	GB6177-86	Nut M10X1.25	2
8	150T-E/087-2	R rocker	1
9	150T-E/011	Fr.cushion under collar	2
10	150T-E/087-3	Rocker collar	2
11	150T-E/087-4	Fr.cushion under dust seal	4
12	150T-E/087-5	Cover Fr.ccushon under dust seal	4
13	150T-E/087-6	L/R front shock absorber	1付
14	150T-E/064	L absorber protected cover	1

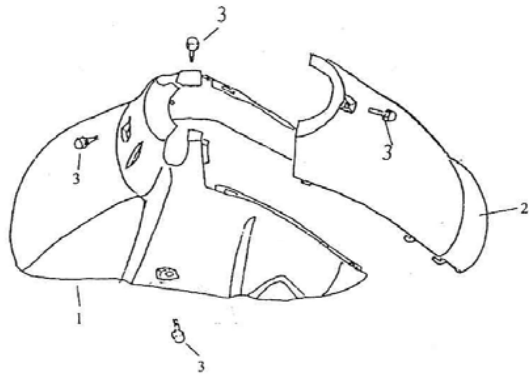
F6前叉·前减震器
Front fork-ushion



序号

15	150T-E/065	R absorber protected cover	1	
16	150T-E/062	L rocker proteced cover	1	
17	150T-E/086-3	R rocker	1	
18	150T-E/063	L rocker proteced cover	1	
19	150T-E/085	Disc brake rocker	1	
20	150T-E/093	But disc brake rocker	1	
21	GB5780-86	Bolt M8X30	1	
22	GB5787-86	Bolt FLANGE M6X12	6	
23	GB6187-86	Bolt flange M8	2	
24	GB5787-86	Bolt FLANGE M8X40	2	
25	150T-E/106-4	锁紧螺母	1	
26	150T-E/106	Steering bottom cone race	1	
27	GB5787-86	Bolt flange M8X37	2	
28	150T-E/106	Steel ball top	1	
29	GB6187-86	Bolt flange M10X1.25	2	
30	150T-E/106	Steel ball bottom	1	

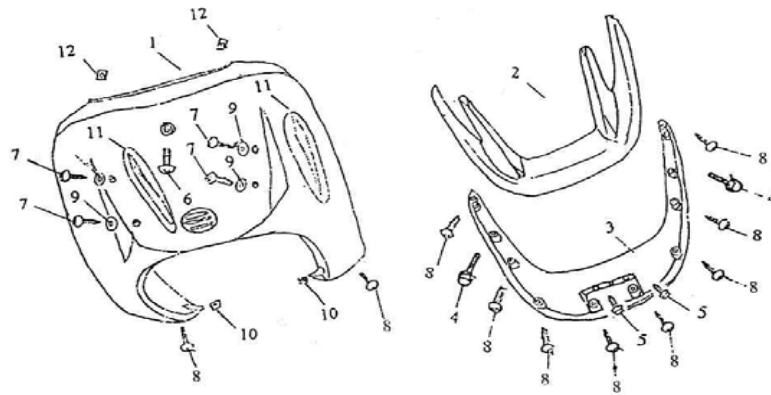
F7前轮挡泥板
Frong wheel fender



序号 No	图号 part no	英文名称 Description	数量 Qty
1	150T-E/002	Ferner front wheel Fr (red)	1
2	150T-E/003	Ferner front wheel Rr (red)	1
3	GB5787-86	Bolt flange M6X12	4

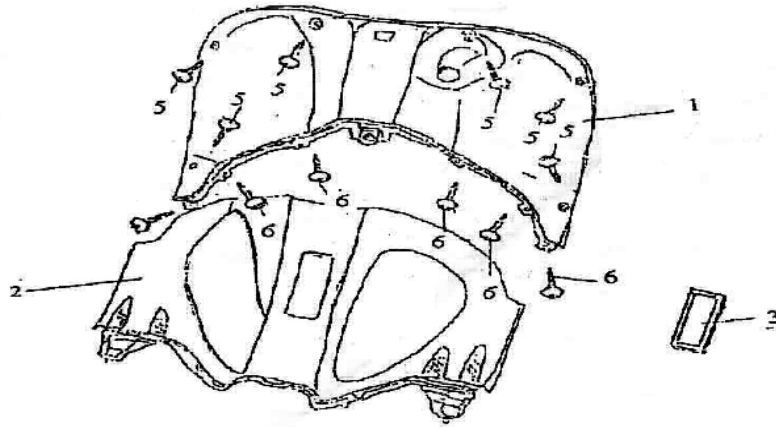
F8 前大罩·尾装饰板

Front cover



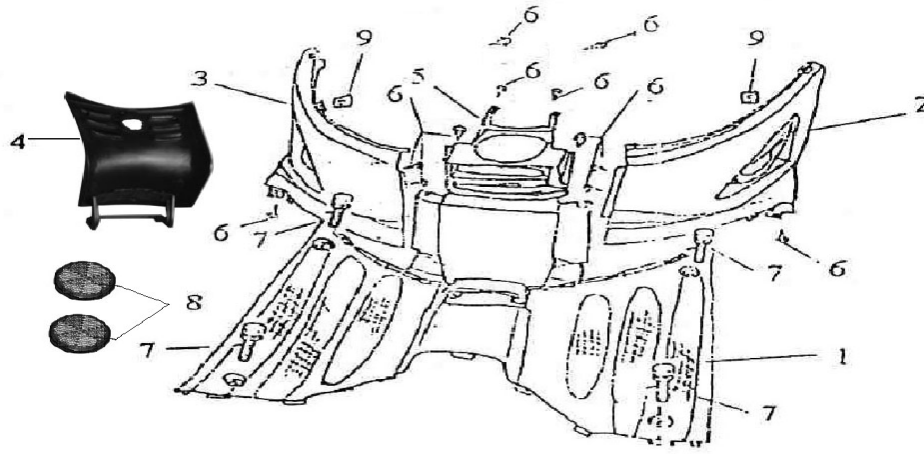
序号	图号	英文名称	数量
No	part no	Description	Qty
1	150T-E/006	Fr cover (red)	1
2	150T-E/055	Tail dec.upper	1
3	150T-E/056	Tail dec.under	1
4	GB5787-86	Bolt M6X16	2
5	GB5787-86	Bolt M6X12	2
6	150T-E/129	Bolt M6X18	1
7	GB845-85	Screw tapping ST3.8X13	4
8	GB845-85	Screw tapping ST4.2X16	10
9	GB95-86	Washer 5	4
10	ZBT31084-87	Nut spring ST3.8	2
11	150T-E/068(150T-E/069)	Dec.cover assy.Fr.	2
12	ZBT31084-87	Nut spring ST4.2	2

F9 前装饰板
 Decoration plate Fr



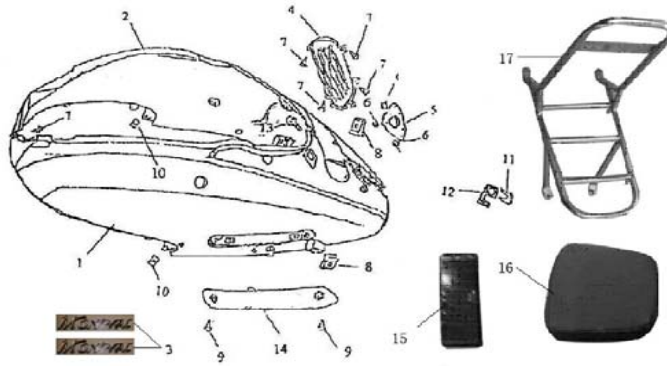
序号	图号	英文名称	数量	
No	part no	Description	Qty	
1	150T-E/001	Decoration plate Fr.upper (red)	1	
2	150T-E/052	Upper,tool box	1	
3	150T-E/077	Number cover	1	
5	GB845-85	Screw tapping ST4.2X16	6	
6	GB845-85	Screw tapping ST3.8X13	6	

F10脚踏底板
Flook



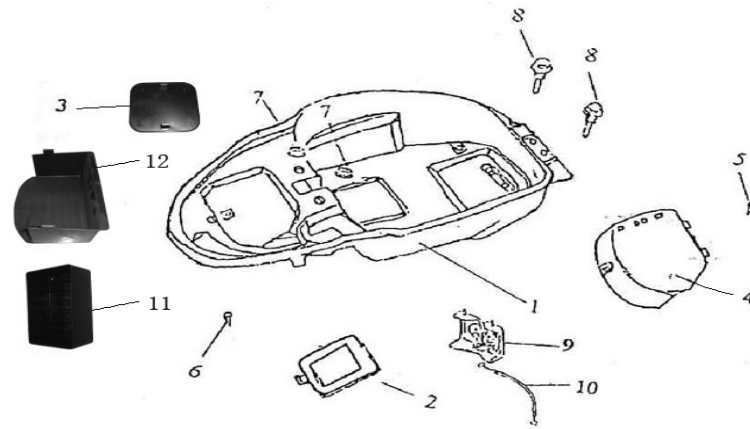
序号	图号	英文名称	数量	
No	part no	Description	Qty	
1	150T-E/059-2	Footplate	1	
2	150T-E/057	L connecting board	1	
3	150T-E/058	R connecting board	1	
4	150T-E/073	Spark plug cover assy	1	
5	150T-E/059-2	fuel tank mouth cover	1	
6	GB845-85	Screw tapping ST3.8X13	12	
7	GB5787-86	Bolt M6X15	4	
8	150T-E/058.1	Side Reflecting implement	1付	
9	ZBT31084-87	Nut spring ST4.2	2	

F11 后装饰板
 Decoration plate RR.



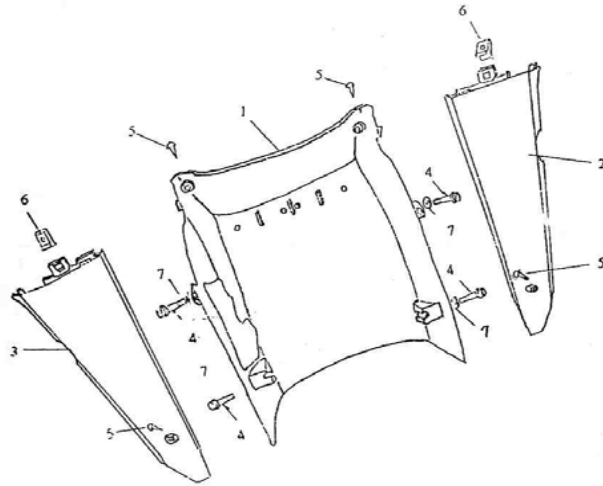
序号	图号	英文名称	数量	
No	part no	Description	Qty	
1	150T-E/004	L body side cover (red)	1	
2	150T-E/005	R body side cover (red)	1	
3	150T-E/131(150T-E/130)	Table,L/R body side cover	1	
4	150T-E/076	Windage clapboard	1	
5	150T-E/034-11-1	Stay tail light	1	
6	GB6177	Unt flange M6	3	
7	GB845-85	Screw tapping ST3.8X13	4	
8	ZBT31084-87	Nut M6	2	
9	GB845-85	Screw tapping ST4.2X16	2	
10	ZBT31084-87	Nut spring ST3.8	2	
11	150T-E/019	Spping lock dey setting	1	
12	GB578-86	Bolt flange M6X18	1	
13	150T-E/129	Bolt M6X18	2	
14	150T-E/131.1	L.decorate platelet(silver)	1	
15	150T-E/076.1	Reflecting implement	1	
16	150T-E/076.2	Backrest	1	
17	150T-E/076.3	luggage carrier	1	

F12 杂物箱
Luggage box



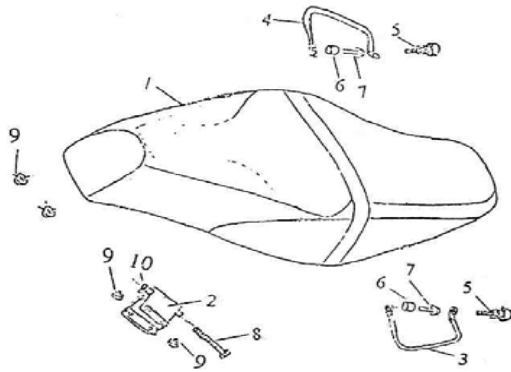
序号	图号	英文名称	数量	
No	part no	Description	Qty	
1	150T-E/053	Box assy.luggage	1	
2	150T-E/074	Big board,luggage box	1	
3	150T-E/075	Simll board,luggage box	1	
4	150T-E/072	carburator cover	1	
5	GB845-85	Screw tapping ST3.8X13	2	
6	GB845-85	Screw tapping ST4.2X16	1	
7	GB6177-86	Unt flange M6	2	
8	GB5787-86	Bolt flange M6X18	4	
9	150T-E/124	Seat lock bracket	1	
10	150T-E/028	Seat lock cable	1	
11	150T-E/070	Battery box	1	
12	150T-E/071	Battery cover	1	

F13车架挡泥板
Under cover



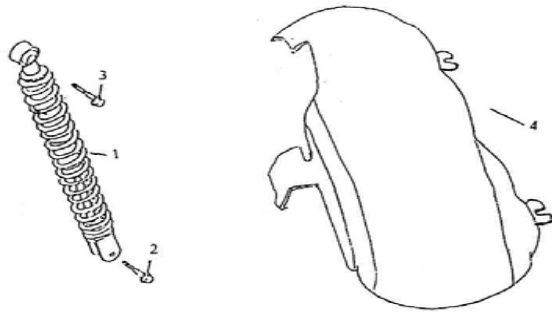
序号	图号	英文名称	数量	
No	part no	Description	Qty	
1	150T-E/060	Frame fender	1	
2	150T-E/008	R protector comp (red)	1	
3	150T-E/007	L protector comp (red)	1	
4	GB5787-86	Bolt flange M6X12	4	
5	GB845-85	Screw tapping ST4.2X16	4	
6	ZBT31084-87	Nut spring ST3.8	2	
7	GB96-86	Washer 6	4	

F14 座垫
Seat



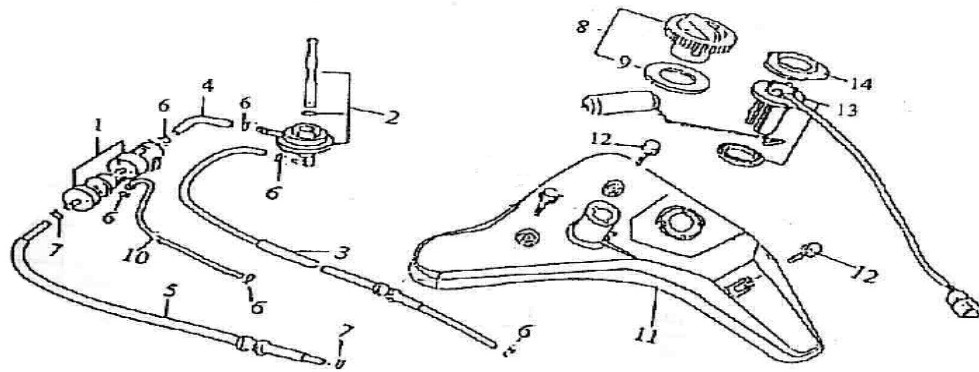
序号	图号	英文名称	数量	
No	part no	Description	Qty	
1	150T-E/078	Seat assy	1	
2	150T-E/124(8,9,10)	Seat bracket	1	
3	150T-E/119(6)	L handle	1	
4	150T-E/120(6)	R handle	1	
5	GB5787-86	Bolt M6X25	2	
6	150T-E/119(150T-E/120)	Collar 7X12X8	2	
7	GB5787-86	Bolt flange M6X25	2	
8	GB5787-86	Bolt flange M6X85	1	
9	GB6177-86	Unt flange M6	4	
10	GB6170-86	Unt M6	1	

F15后减震器
Cushion Rr



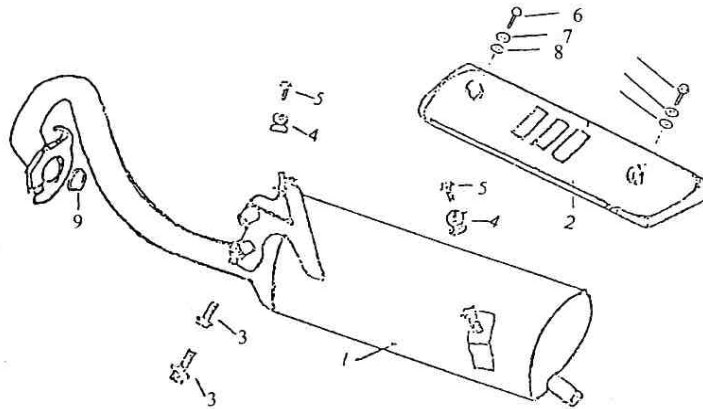
序号	图号	英文名称	数量	
No	part no	Description	Qty	
1	150T-E/094	Rr shock absorber	1	
2	GB5787-86	Bolt flange M8X10	1	
3	GB5787-86	Bolt flange M10X1.25X40	1	
4	150T-E/080	Fender rear wheel	1	

F16 油箱
Fuel tank



序号	图号	英文名称	数量	
No	part no	Description	Qty	
1	150T-E/031	Strainer comp fuel	1	
2	150T-E/020	Petrol pump	1	
3	150T-E/049	Tube comp vacuum	1	
4	150T-E/046-1	Tube comp fuel	1	
5	150T-E/046-2	Tube comp fuel	1	
6	150T-E/050-1	Spring,oil pipe	6	
7	150T-E/050-2	Spring,oil pipe	1	
8	150T-E/050-3	Cap comp fuel fiver	1	
9	150T-E/050-4	Packing fuel filler cap	1	
10	150T-E/046-3	Tube comp fuel	1	
11	150T-E/046-4	Tank comp fuel	1	
12	GB578-86	Bolt flange M6X12	3	
13	150T-E/018	Fuel unit assy	1	
14	150T-E/037	Retainer fuel unit	1	

F17 排气消声器
Exhaust muffler



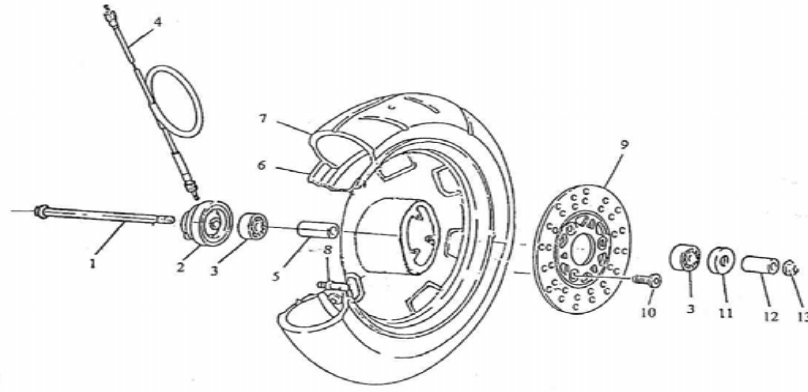
序号	图号	英文名称	备注	
No	part no	Description	Qty	
1	150T-E/095-1	Muffler	1	
2	150T-E/095-2	Protector comp muffler	1	
3	GB5787-86	Bolt flange M8X35	2	
4	150T-E/095-3	Rubber bush	2	
5	GB5787-86	Bolt flange M6X25	2	
6	GB5787-86	Bolt flange M6X12	2	
7	GB93-86	Spring washer 6	2	
8	GB95-86	Washer 6	2	
9	150T-E/096	Muffler cushion	1	

F18 发动机-空滤器
 Engine -Air cleaner



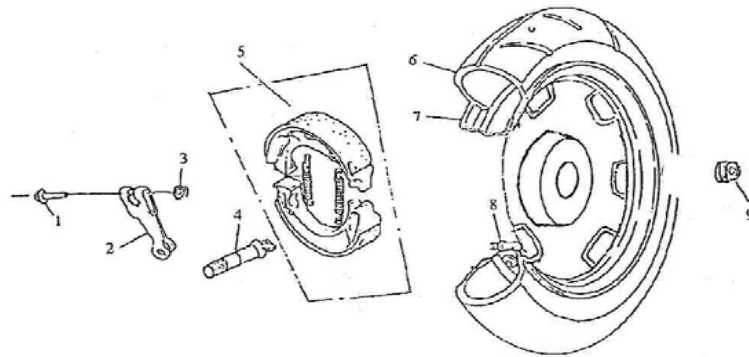
序号	图号	英文名称	数量	
No	part no	Description	Qty	
1	150T-E-01	Engine	1	
2	150T-E-02	Carburetor	1	
3	150T-E/054	Air cleaner	1	
4	150T-E/047	Air pipe	1	
5	150T-E/048	Holder,air pipe	1	

F19 前轮
Front wheel



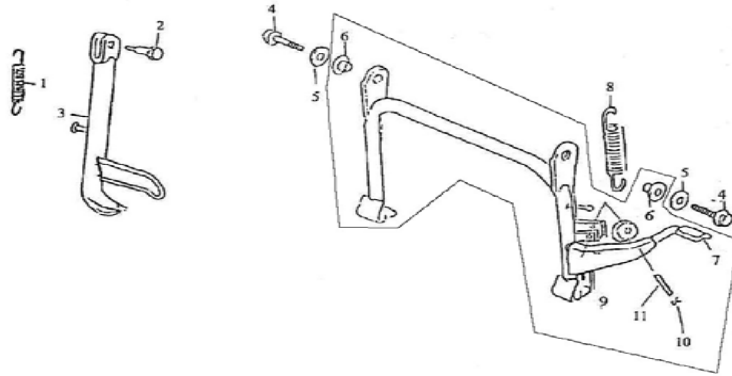
序号	图号	英文名称	数量	
No	part no	Description	Qty	
1	150T-E/097-1	Axle Fr.whee	1	
2	150T-E/097-2	Driver	1	
3	GB278-82	Bearing racial ball	2	
4	150T-E/027	Speedomter cable	1	
5	150T-E/111-2	Collar Fr.axle cistance	1	
6	150T-E/111-1	Rim comp wheel	1	
7	150T-E/109	Fr vacual tire	1	
8	150T-E/108	Value moufh	1	
9	150T-E/091	Dis brake plate	1	
10	150T-E/092	Dis brake srew	3	
11	150T-E/111-3	Dust seal	1	
12	150T-E/111-4	Collar R.FR.axle 12x20X42前轮轴套	1	
13	GB6187-86	Nut flange M12X1.25	1	

F20 后轮·后制动
Front wheel·Brake Rr.



序号	图号	英文名称	数量	
No	part no	Description	Qty	
1	GB5787-86	Bolt flange M6X28	1	
2	150T-E/099	Arm comp Rr.brake	1	
3	GB6177-86	Nut flange M6	1	
4	150T-E/100	Cam Rr.brake	1	
5	150T-E/098	Rr brake lining	1	
6	150T-E/110	Rr vacual tire	1	
7	150T-E/112-1	Rr al wheel	1	
8	150T-E/108	Value mouth	1	
9	GB6187-86	Nut flange M10X1.23	1	

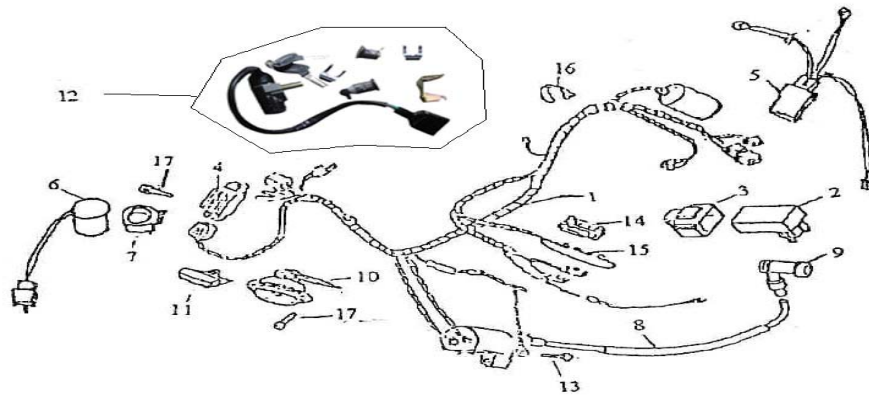
F21 大撑·单撑
Stand



序号	图号	英文名称	数量	
No	part no	Description	Qty	
1	150T-E/103	Connecting board	1	
2	150T-E/118-1	Side stand bolt M8XX22 肩φ10X12	1	
3	150T-E/118-2	Side stand	1	
4	GB5787-86	Bolt flange M10X1.25X25	2	
5	GB95-86	Washer 10	2	
6	150T-E/117-2	Collar main stand	2	
7	150T-E/117-1	Stand assy.main	1	
8	150T-E/102-1	Spring,side stand	1	
9	150T-E/045	Rubber stand stopper	1	
10	150T-E/117-3	Side stand bolt M6X628 肩φ7X18	1	
11	GB6177-86	Axis pinφ6	1	

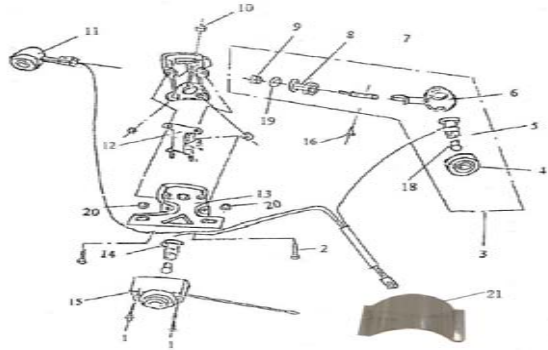
F22 主 电 路 配 线

Wire harness



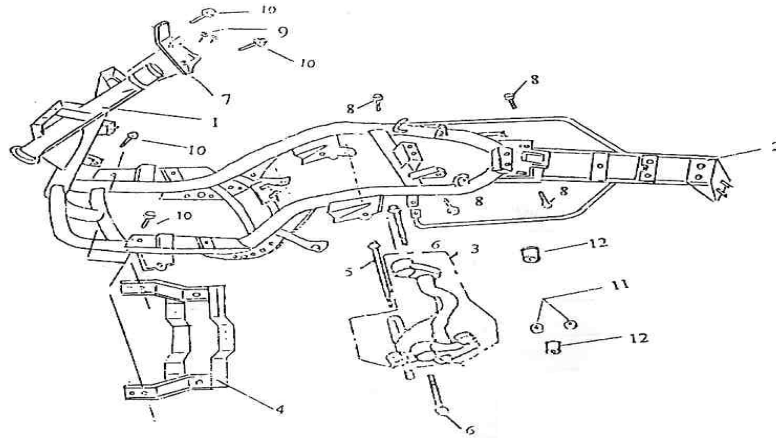
序号	图号	英文名称	数量	
No	part no	Description	Qty	
1	150T-E/012	Wire harness,main	1	
2	150T-E/024-1	CDI unit	1	
3	150T-E/024-2	Rubber bush	1	
4	150T-E/022	Rectifier	1	
5	150T-E/023	Starer relay comp	1	
6	150T-E/025-1	Flasher	1	
7	150T-E/025-2	Rubber bush		
8	150T-E/021	Ignition coil comp	1	
9	150T-E/108(9)	Cap spark plug	1	
10	150T-E/026	Horn	1	
11	150T-E/025-3	Resistance	1	
12	150T-E/019-1	Switch assy.combination&lock	1	
13	GB5787-86	Bolt flange M6X25	1	
14	150T-E/019-3	Case 7A puse	1	
15	150T-E/019-4	Fuse 7A	1	
16	150T-E/051	Rand bi wire	3	
17	GB5787-86	Bolt flange M6X16	2	

F23后尾灯
Tail light



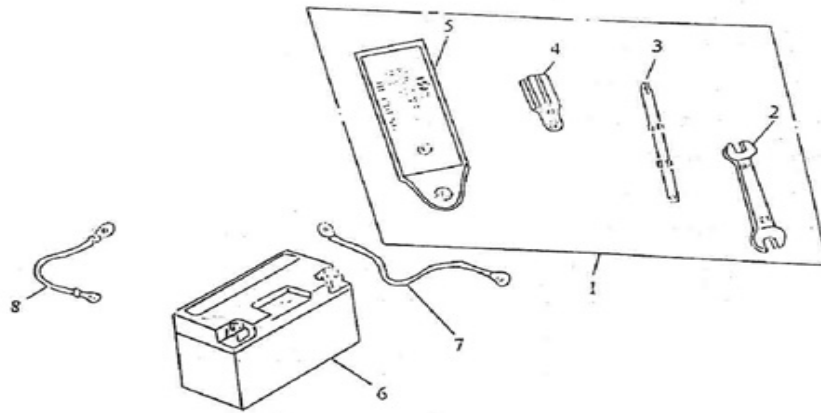
序号	图号	英文名称	数量	
No	part no	Description	Qty	
1	GB845-85	Screw tapping ST3.2X16	2	
2	GB5787-86	Bolt flange M6X16	2	
3	150T-E/034-1	R.RR.winker	1	
4	150T-E/034-2	Lens R.RR.winker	1	
5	150T-E/034-3	Light assy.RR. wire	1	
6	150T-E/034-4	Dody RR.winker	1	
7	150T-E/034-5	Bolt RR. winker	1	
8	150T-E/034-6	Rubber bush	2	
9	GB6170	Unt M12	2	
10	150T-E/034-7	Rubber bush	3	
11	150T-E/034-8	L.RR.winker	1	
12	150T-E/034-9	Sty.RR.tail light	1	
13	150T-E/034-10	Bra cket license RR.	1	
14	150T-E/034-11	Body comp.tail light	1	
15	150T-E/034-12	Lens taillight	1	
16	150T-E/034-13	Screw tapping ST4.2X13	4	
17	150T-E/034-14	Bulb winker	2	
18	150T-E/034-15	Bulb tail light	1	
19	GB95-86	Washer 12	2	
20	GB6177-86	Nut flange M6	2	
21	150T-E/034-12.1	position light glass	1	

F24 车架
Body frame



序号	图号	英文名称	数量	
No	part no	Description	Qty	
1	150T-E/113	Frame	1	
2	150T-E/116	Bracket,body side cover	1	
3	150T-E/114(11,12)	Hanger	1	
4	150T-E/115-1	Fuel tank board	1	
5	150T-E/115-2	Axis enging	1	
6	GB5787-86	Bolt flange M10X1.25X65	2	
7	150T-E/125	Electricity lock board	1	
8	GB5787-86	Bolt flange M6X16	4	
9	GB819-86	Screw M6X10	2	
10	GB5787-86	Bolt flange M6X12	3	
11	150T-E/040	Hanger rubber	2	
12	150T-E/101	Hanger gasket	2	
13	150T-E/122	L foot	1	
14	150T-E/123	R foot	1	

F25 电瓶·工具组
Battery·Tools



序号	图号	英文名称	数量	
No	part no	Description	Qty	
1	150T-E/038-0	Tool	1	
2	150T-E/038-1	10-12开口板	1	
3	150T-E/038-2	两用起子头	1	
4	150T-E/038-3	Hander	1	
5	150T-E/038-4	Bag tools	1	
6	150T-E/038-5	Battery	1	
7	150T-E/013	Cable battery	1	
8	150T-E/014	Cable earth	1	
9	150T-E/015	Charger	1	
10	150T-E/016	Motorcycle cover	1	