



PARTS CATALOGUE

**MOONTRAX 50/90
2005**



REVISED 12/20/04

INDEX

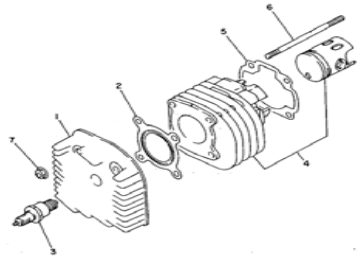
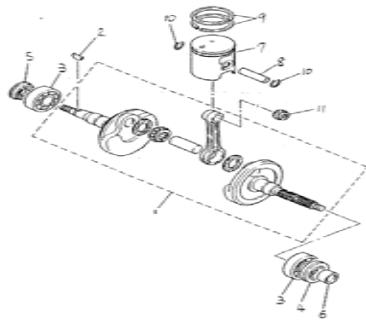
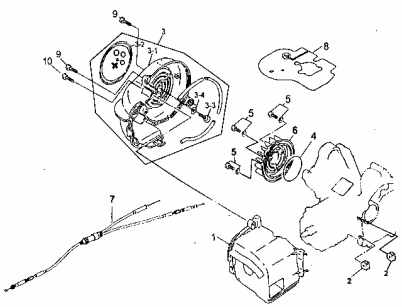
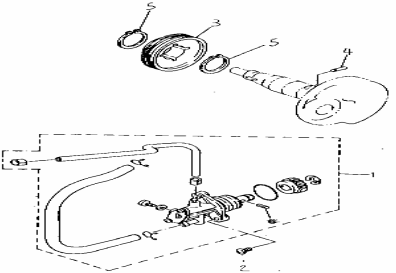
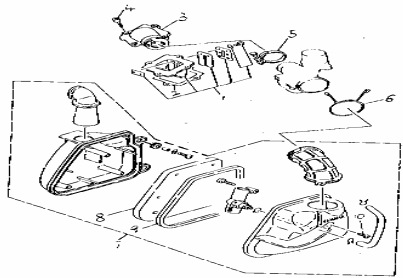
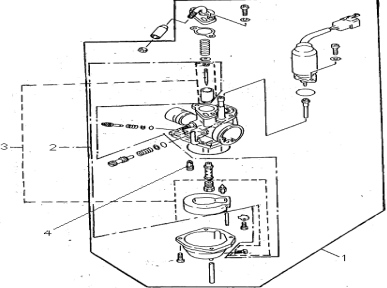
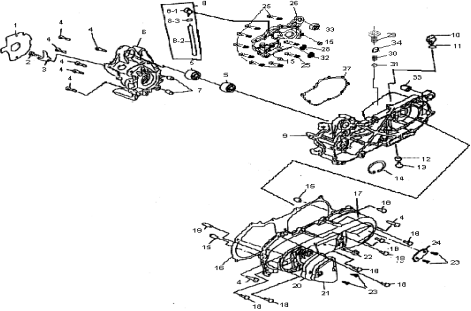
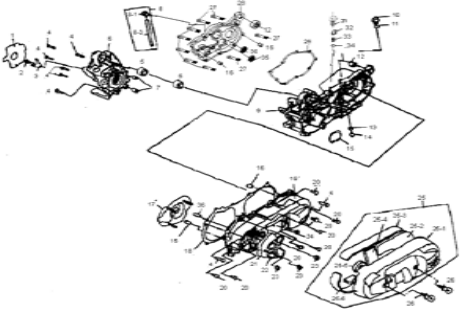
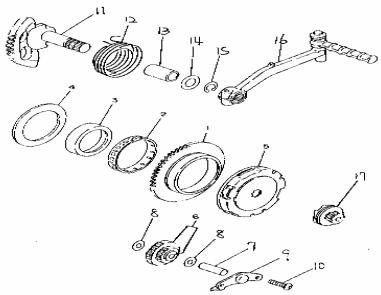
ENGINE

SECTION	FIG #
CYLINDER/CYLINDER HEAD	E01
CRANKSHAFT/PISTON	E02
FAN COVER/SHROUD	E03
OIL PUMP	E04
AIR INTAKE SYSTEM	E05
CARBURETOR	E06
CRANKCASE COVER 50cc	E07
CRANKCASE COVER 90cc	E08
KICK SHAFT ASSY	E09
CLUTCH ASSY	E10
DRIVE ASSY (REVERSE VERSION)	E11
GENERATOR/START MOTOR	E12
ELECTRICAL EQUIPMENT	E13

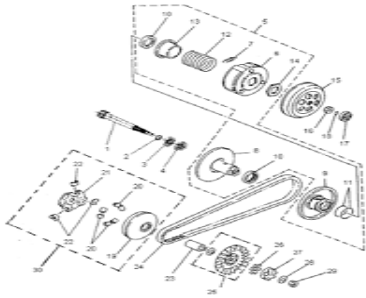
FRAME

SECTION	FIG #
FRAME	F01
BODY COVER	F02
HANDLE COVER SYSTEM	F03
SEAT	F04
OIL TANK/FUEL TANK	F05
FRONT SWINGARMS	F06
SHOCK ABSORBER	F07
STEERING	F08
HANDLE COMP.	F09
BRAKE	F10
REAR WHEEL AXLE	F11
WHEEL	F12
CHAIN	F13
EXHAUST PIPE	F14
REVERSE GEAR SHIFT	F15
WIRE HARNESS	F16
LIGHTS	F17
TOOLS	F18
COLOR STIPES/LABELS	F19

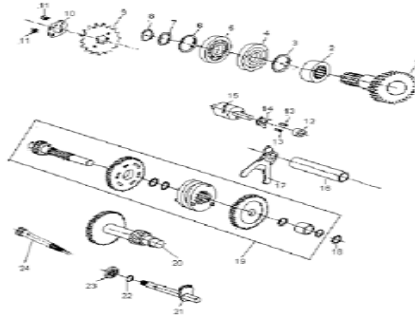
CONTENTS ENGINE GROUP

E01 CYLINDER/CYLINDER HEAD	E02 CRANKSHAFT/PISTON	E03 FAN COVER/SHROUD
		
E04 OIL PUMP	E05 AIR INTAKE SYSTEM	E06 CARBURETOR
		
E07 50cc CRANKCASE/ COVER	E08 90/100cc CRANK CASE/ COVER	E09 KICK SHAFT ASSY
		

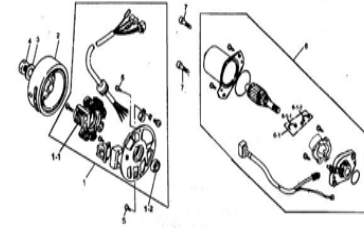
E10 CLUTCH ASSY



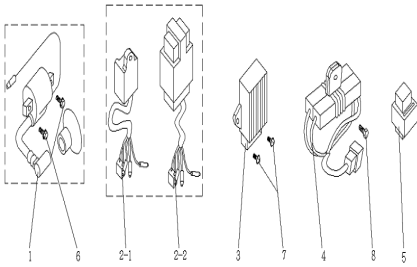
E11 DRIVE ASSY (REVERSE VERSION)



E12 GENERATOR/STARTER MOTOR

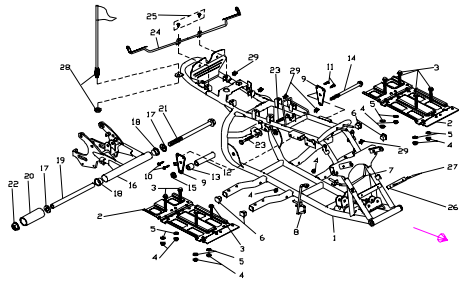


E13 ELECTRICAL EQUIPMENT

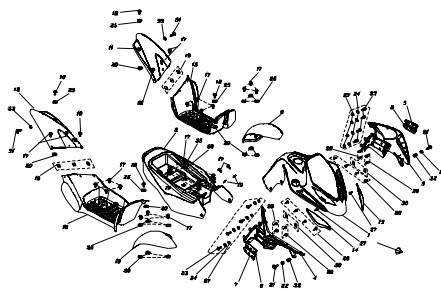


CONTENTS FRAME GROUP

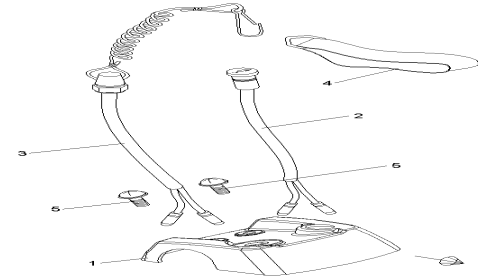
F01 FRAME



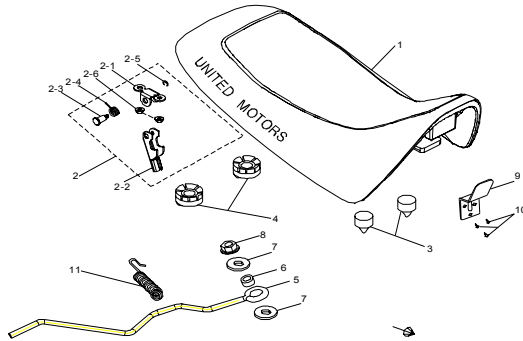
F02 BODY COVER



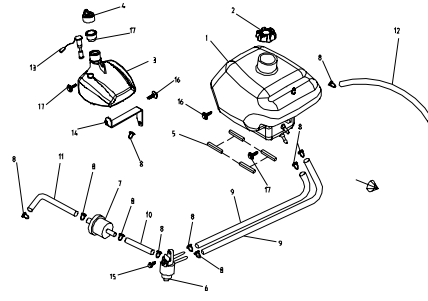
F03 HANDLE COVER SYSTEM



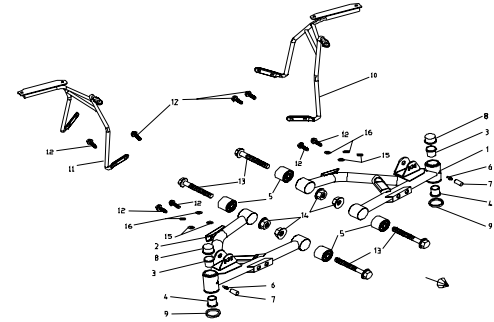
F04 SEAT



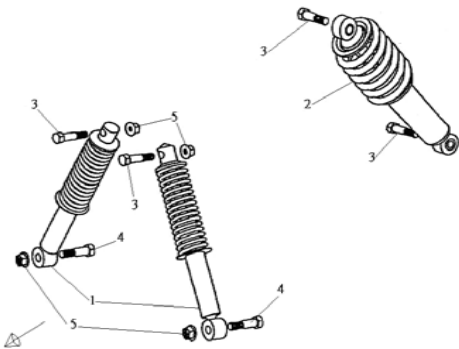
F05 OIL TANK/FUEL TANK



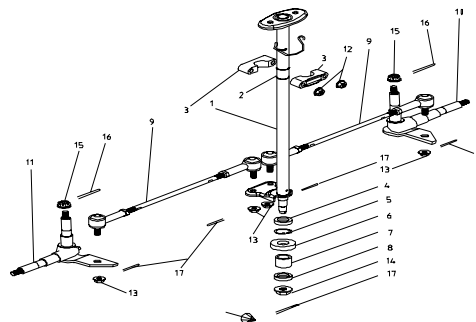
F06 FRONT SWINGARMS



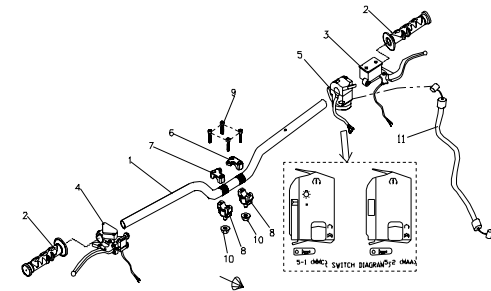
F07 SHOCK ABSORBERS

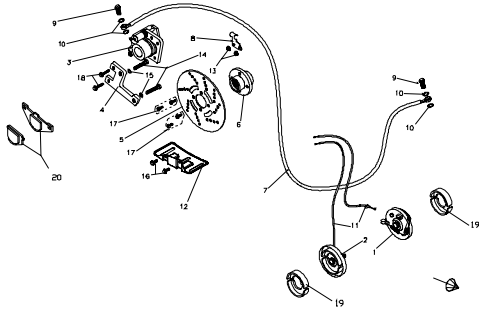
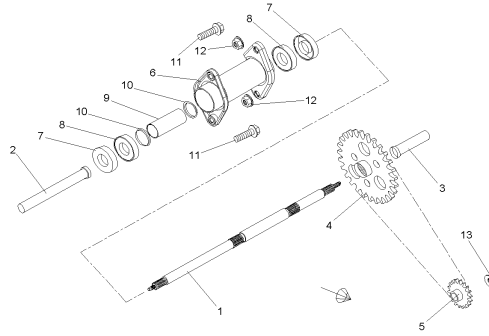
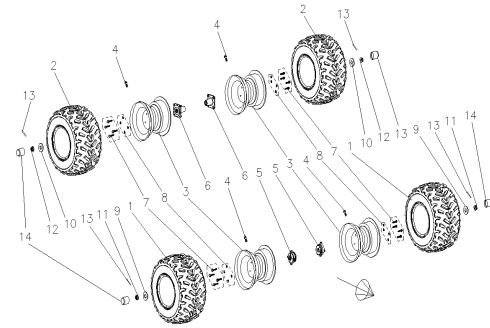
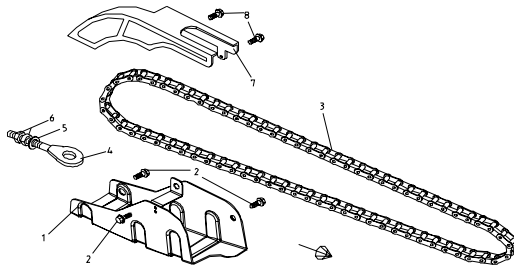
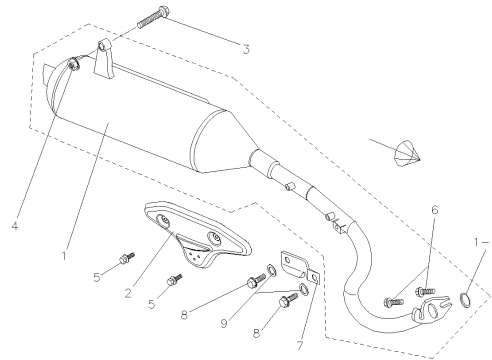
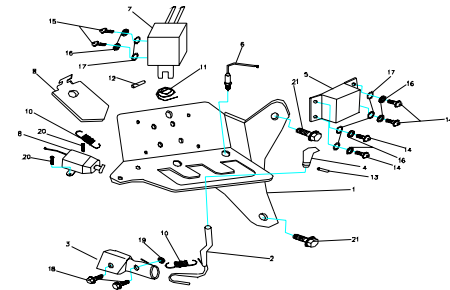
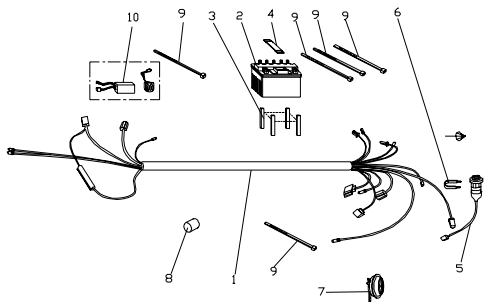
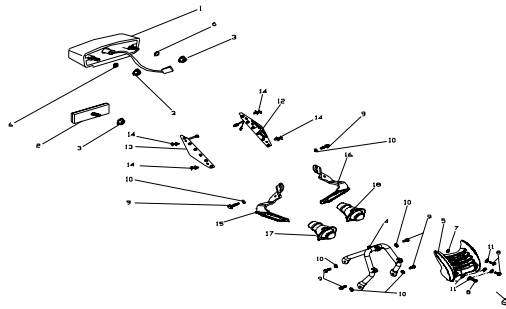
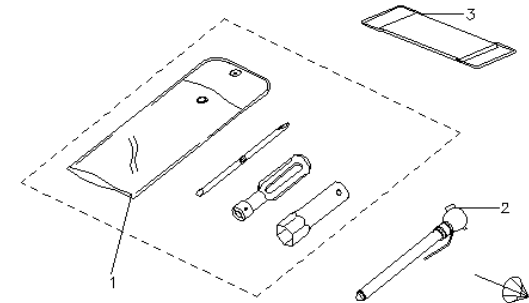


F08 STEERING

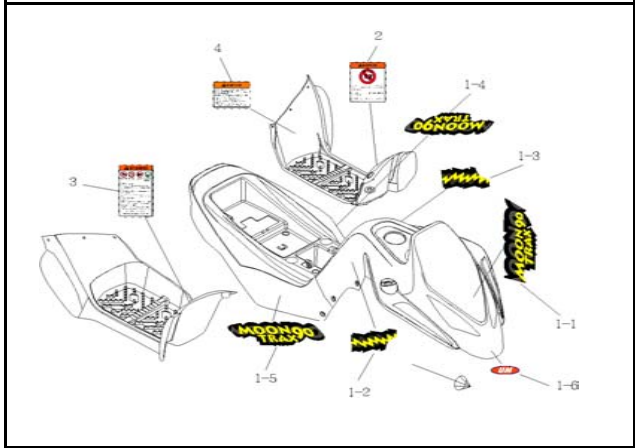


F09 HANDLE COMP.



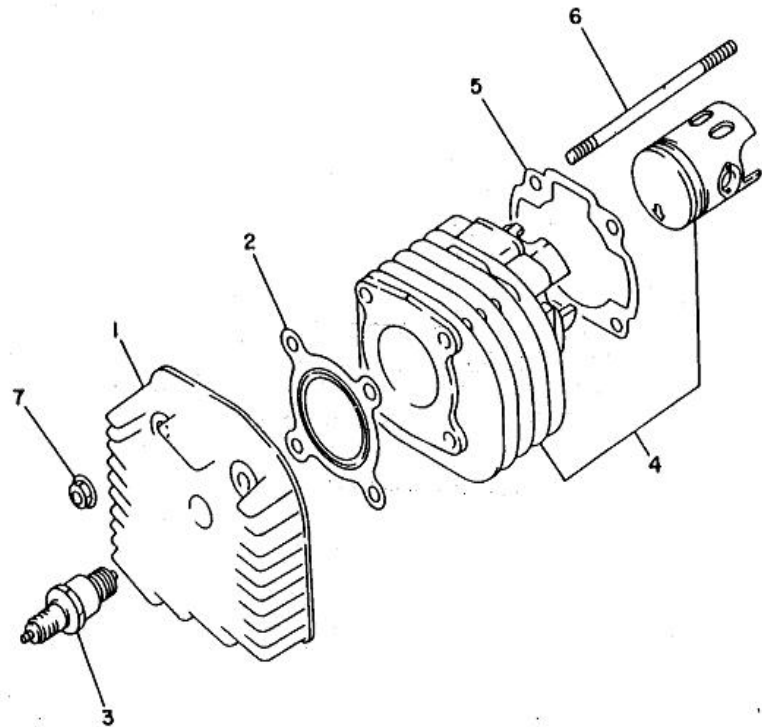
F10 BRAKE**F11 REAR WHEEL AXLE****F12 WHEEL****F13 CHAIN****F14 EXHAUST PIPE****F15 REVERSE GEARSHIFT****F16 WIRE HARNESS****F17 LIGHTS****F18 TOOLS**

F19 COVER STRIPES/LABELS



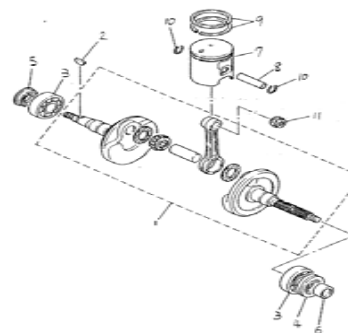
E01 CYLINDER / CYLINDER HEAD

REF #	PART #	DESCRIPTION	QTY	2003	2004	2005
1-1	12200-3XG-00	HEAD, CYLINDER (50c.c.)	1	1	1	1
	12200-4DM-00	HEAD, CYLINDER (90c.c.)	1	1	1	1
1-2	12251-4DM-00	GASKET, CYLINDER HEAD 1	1	1	1	1
1-3	94701-00264	PLUG, SPARK (NGK BP7HS)	1	1	1	1
1-4	12100-3XG-00	CYLINDER (50c.c.)	1	1	1	1
	12100-4DM-00	CYLINDER (90c.c.)	1	1	1	1
1-5	12191-3XG-00	GASKET, CYLINDER BASE (50c.c.)	1	1	1	1
	12191-4DM-00	GASKET, CYL. BASE (90c.c.)	1	1	1	1
1-6	90301-07110-C	BOLT, STUD (50c.c.)	4	4	4	4
	90301-07125-C	BOLT, STUD (90c.c.)	4	4	4	4
1-7	94050-07000-C	NUT	4	4	4	4



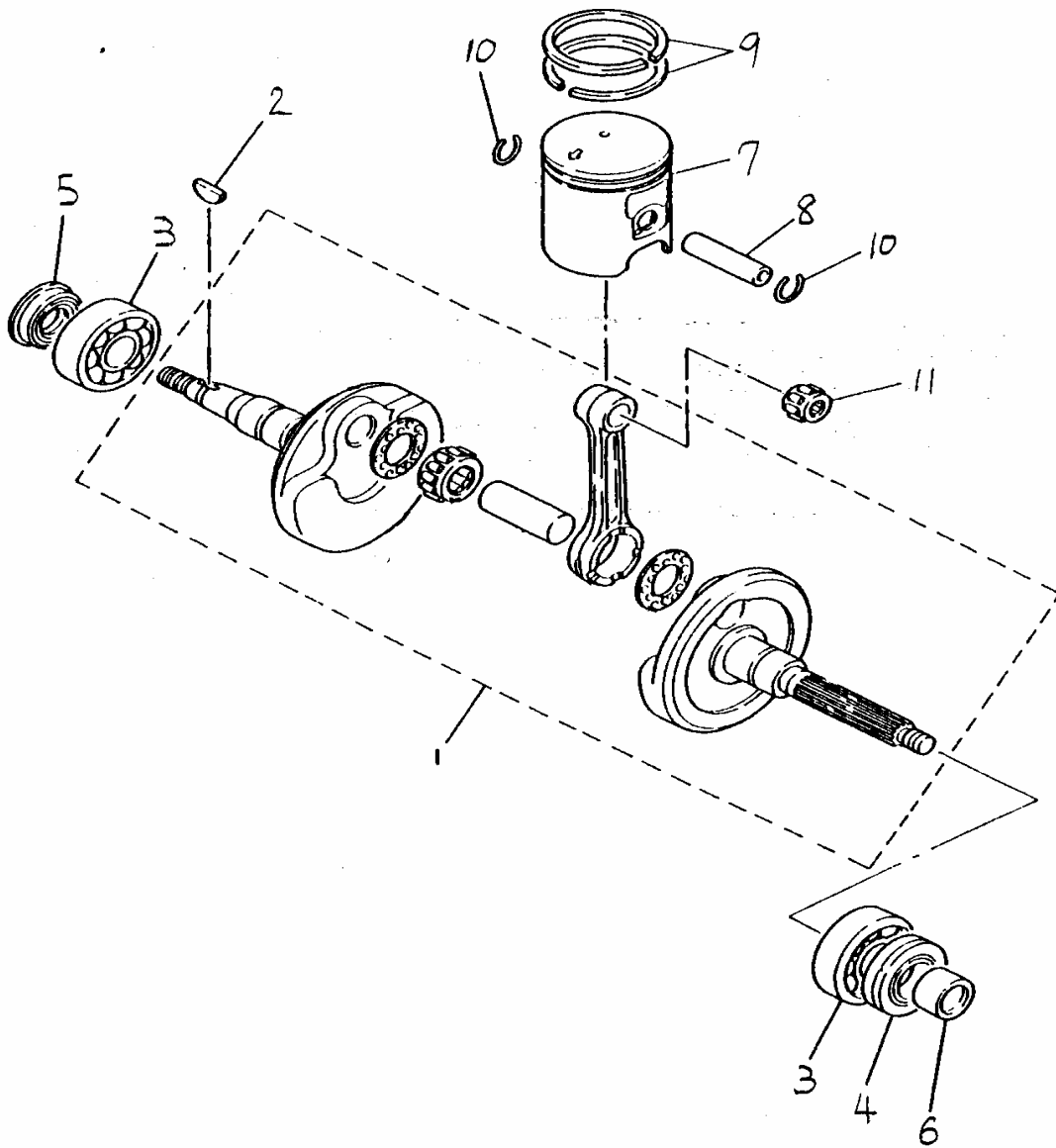
E02 CRANK SHAFT / PISTON

REF #	PART #	DESCRIPTION	QTY	2003	2004	2005
2-1	13000-3XG-00	CRANKSHAFT ASSY (50c.c.)	1	1	1	1
	13000-4DM-00	CRANKSHAFT ASSY (50c.c.&90c.c.)	1	1	1	1
2-2	90701-03017	KEY, WOODRUFF	1	1	1	1
2-3	96100-62044-10	BEARING.	2	2	2	2
2-4	91202-4DM-00	SEAL, OIL	1	1	1	1
2-5	91201-4DM-00	SEAL, OIL	1	1	1	1
2-6	98117-3XG-00	COLLAR (50c.c.)	1	1	1	1
	98117-4DM-00	COLLAR (90c.c.&100c.c.)	1	1	1	1
2-7	13101-3XG-00	PISTON(STD)(50c.c.)	1	1	1	1
	13101-4DM-00	PISTON(STD)(90c.c.)	1	1	1	1
2-8	13111-3XG-00	PIN, PISTON(50c.c.)	1	1	1	1
	13111-4DM-00	PIN, PISTON(90c.c.)	1	1	1	1
2-9	13011-3XG-00	RING SET, PISTON (STD)(50c.c.)	1	1	1	1
	13011-4DM-00	RING SET, PISTON (STD)(90c.c.)	1	1	1	1
2-10	94601-3XG-00	CIRCLIP (50c.c.)	2	3	4	4
	94601-4DM-00	CIRCLIP (50c.c.&90c.c.)	2	3	4	4
2-11	91100-3XG-00	BEARING, NEEDLE (50c.c.)	1	2	3	3
	91100-4DM-00	BEARING, NEEDLE (90c.c.)	1	2	3	3



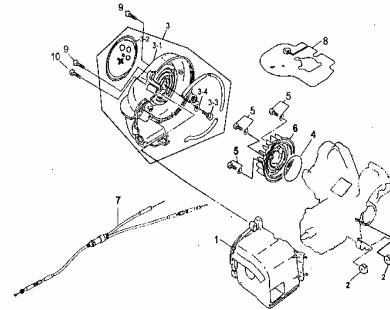
Enlarged figure
next page

E02 CRANK SHAFT / PISTON



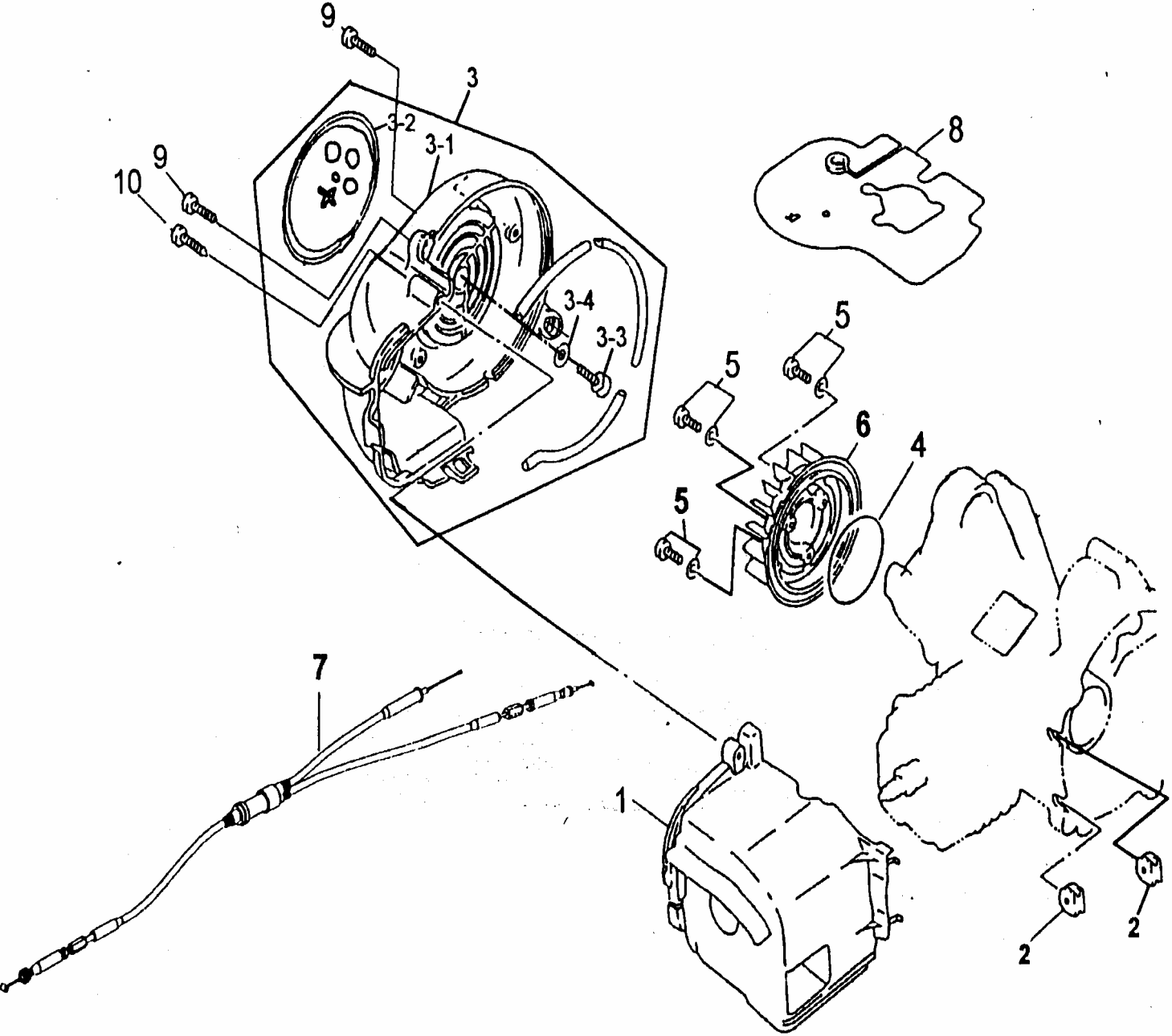
E03 FAN COVER/ SHROUD

REF #	PART #	DESCRIPTION	QTY	2003	2004	2005
3-1	19620-3XG-00	COVER ASSY, CYLINDER (50c.c.)	1	1	1	1
	19620-4DM-00	COVER ASSY, CYLINDER (90c.c.)	1	1	1	1
3-2	11207-4DM-00	GROMMET	2	2	2	2
3-3	1961A-4DM-00	FAN COVER ASSY	1	1	1	1
3-3-1	19610-4DM-00	COVER ASSY FAN	1	1	1	1
3-3-2	19616-4DM-00	FAN COVER CAP	1	1	1	1
3-3-3	93903-05016	TRUSS	1	1	1	1
3-3-4	94104-05316	WASHER	1	1	1	1
3-4	94608-4DM-00	O-RING	1	1	1	1
3-5	93893-06016-K	SCREW WASHER	3	3	3	3
3-6	19510-3XG-00	FAN COMP, COOLING (50c.c.)	1	1	1	1
	19510-4DM-00	FAN COMP, COOLING (90c.c.)	1	1	1	1
3-7	17910-4DM-00	CABLE ASSY, THROTTLE	1	1	1	1
3-8	80153-4DM-00	DEFLECTOR	1	1	1	1
3-9	93891-06020-K	SCREW WASHER	2	2	2	2
3-10	93901-240C0	TAPPING SCREW, PAN	1	1	1	1



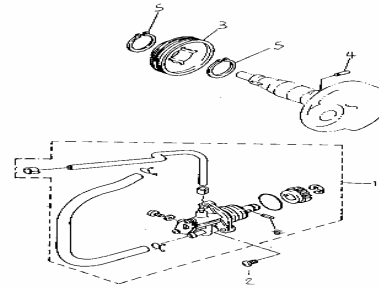
Enlarged figure
next page

E03 FAN COVER/ SHROUD



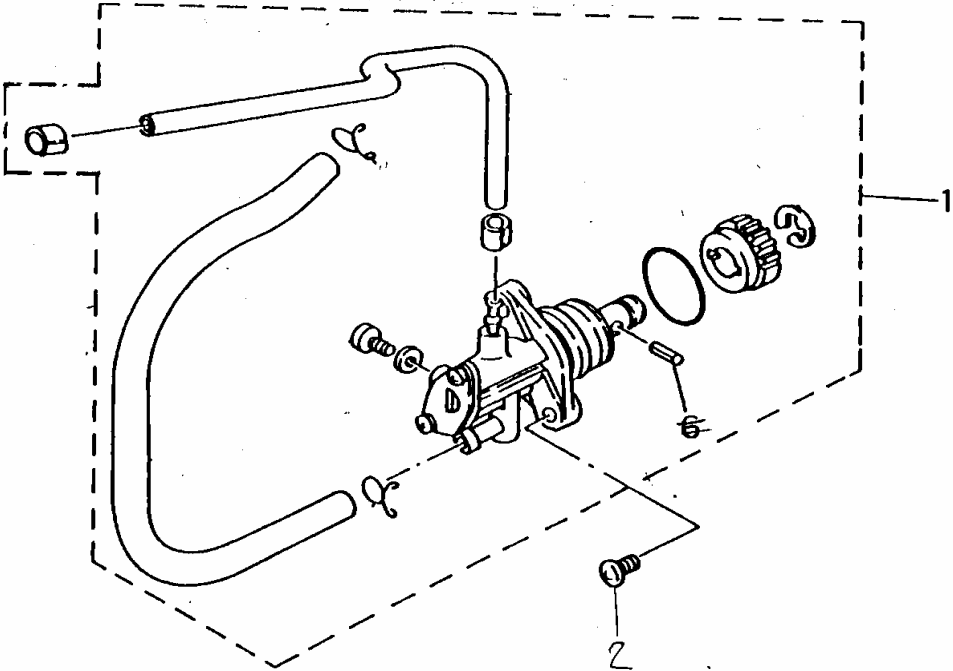
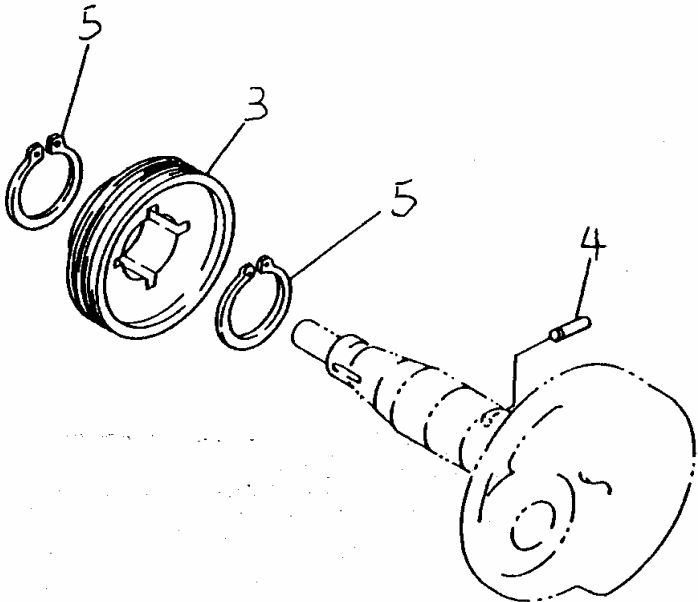
E04 OIL PUMP

REF #	PART #	DESCRIPTION	QTY	2003	2004	2005
4-1	15100-3XG-00	OIL PUMP ASSY(50c.c.)	1	1	1	1
	15100-4DM-00	OIL PUMP ASSY(90c.c.)	1	1	1	1
4-2	93500-05014-K	BOLT, BREATHER	1	1	1	1
4-3	15131-4DM-00	GEAR, PUMP DRIVE	1	1	1	1
4-4	94303-03118	PIN, DOWEL	1	1	1	1
4-5	94510-19000	CIRCLIP	2	2	2	2
4-6	15151-26019	SPG.WAVE F19*26	1	1	1	1



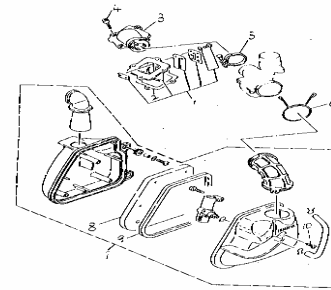
Enlarged figure
next page

E04 OIL PUMP



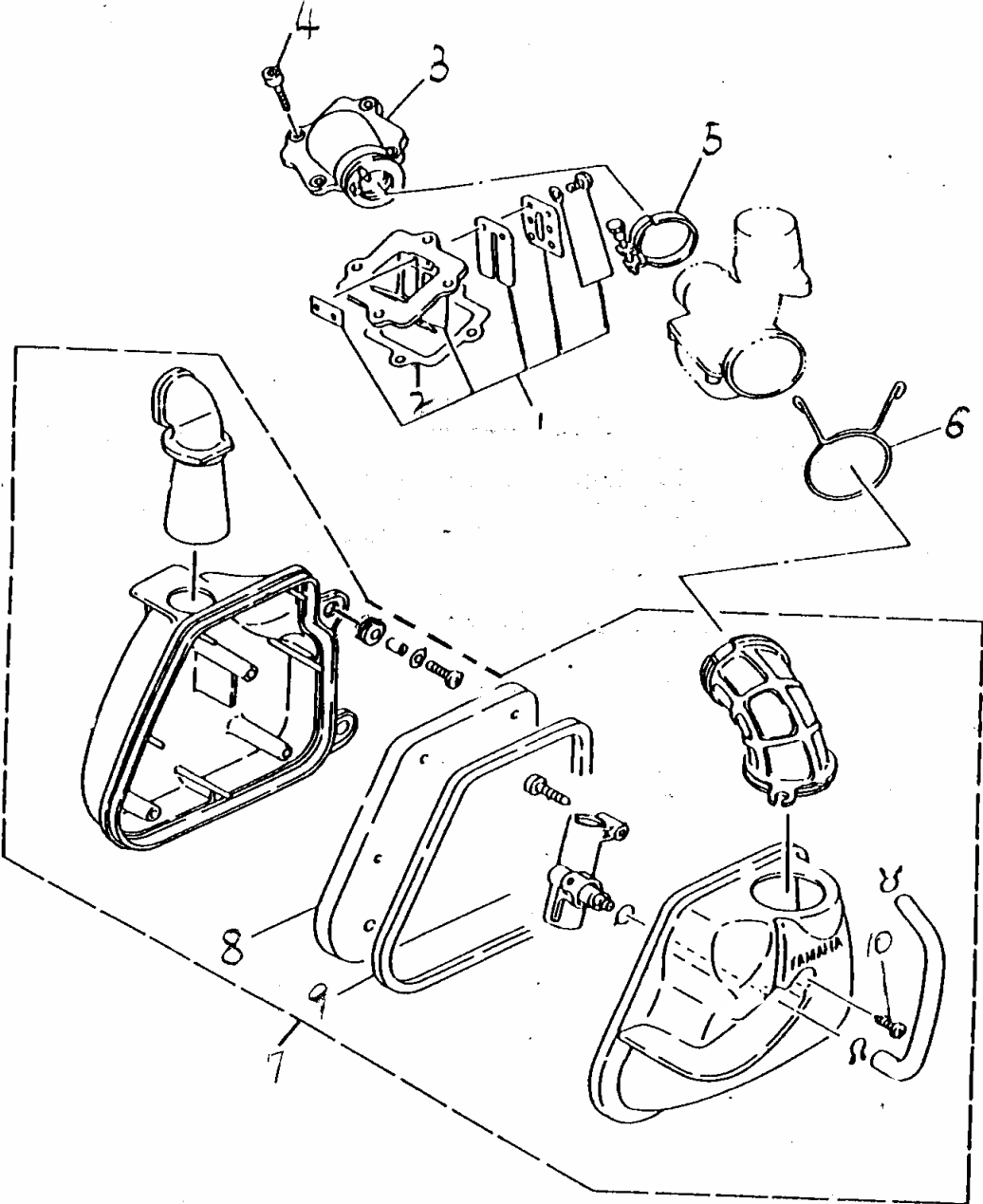
E05 AIR INTAKE SYSTEM

REF #	PART #	DESCRIPTION	QTY	2003	2004	2005
5-1	1410A-4DM-00	REED VALVE ASSY	1	1	1	1
5-2	16201-4DM-00	GASKET, VALVE SEAT	1	1	1	1
5-3	1711A-4DM-00	MANIFOLD, INTAKE	1	1	1	1
5-7	1720A-4DM-00	AIR CLEANER ASSY.	1	1	1	1
5-8	17205-4DM-00	ELEMENT, AIR CLEANER	1	1	1	1
5-11	93500-05020	BOLT M6x20	2	2	2	2
5-12	94104-06130	PLAN WASHER $\Phi 6$	2	2	2	2



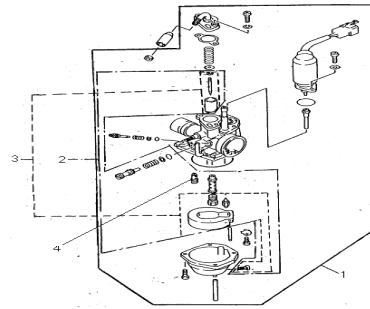
Enlarged figure
next page

E05 AIR INTAKE SYSTEM



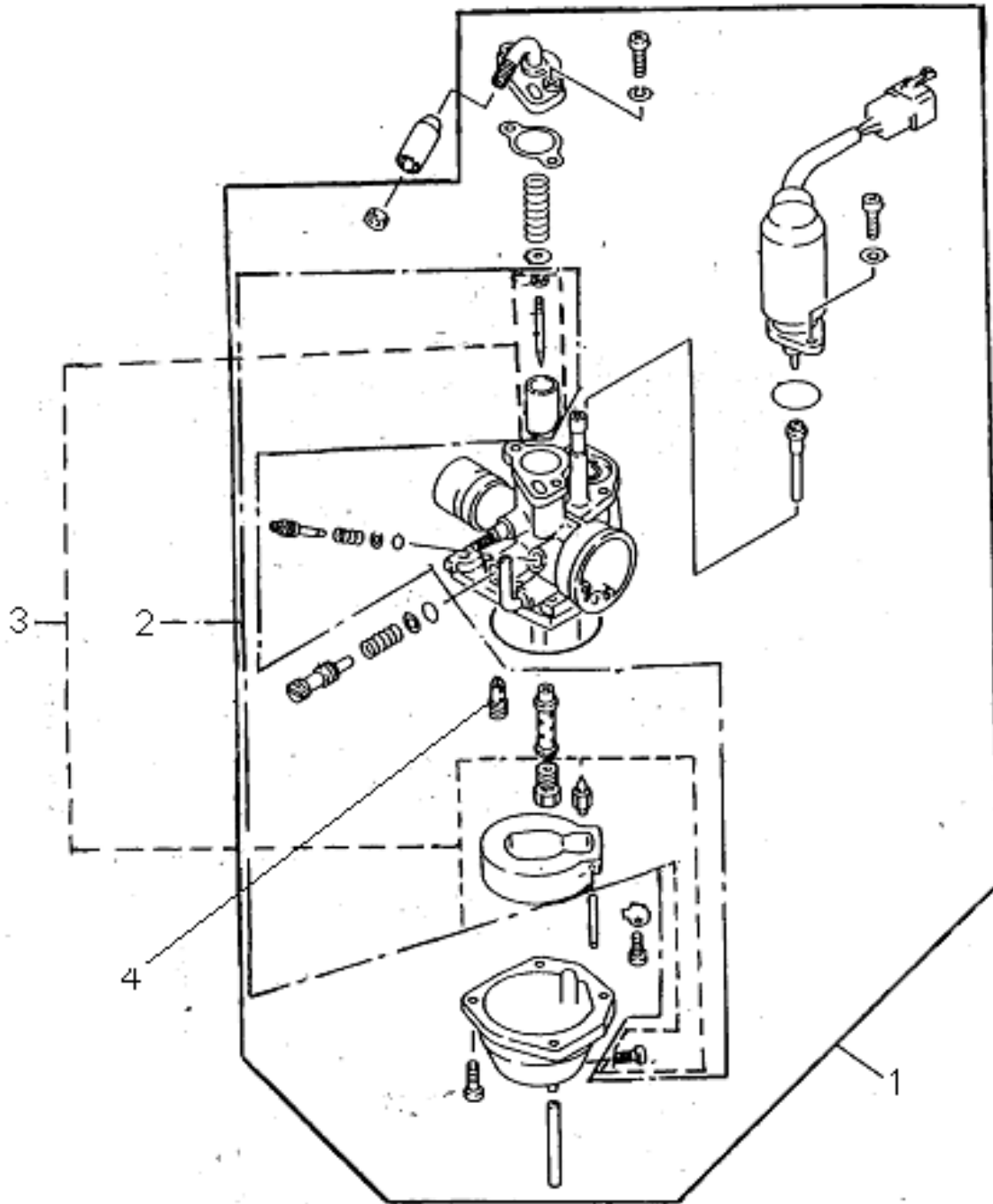
E06 CARBURETOR

REF #	PART #	DESCRIPTION	QTY	2003	2004	2005
6-1	1610A-3XG-00	CARBURETOR ASS'Y(50c.c.)	1	1	1	
	1610A-3XG-01	CARBURETOR ASSY(50cc)	1			1
	1610A-4DM-00	CARBURETOR ASS'Y(90c.c.)	1	1	1	
	1610A-4DM-01	CARBURETOR ASS'Y(90c.c.)	1			1
6-2	16101-4DM-00	MAINTENANCE KIT ASSY A	1	1	1	1
6-3	16102-4DM-00	MAINTENANCE KIT ASSY B	1	1	1	1
6-4	16103-4DM-00	SLOW JET(PRINTED 17.5)	1			1



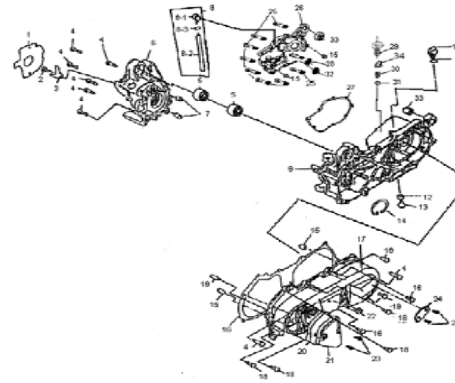
Enlarged figure
next page

E06 CARBURETOR



E07 50cc CRANK CASE/ CRANK COVER

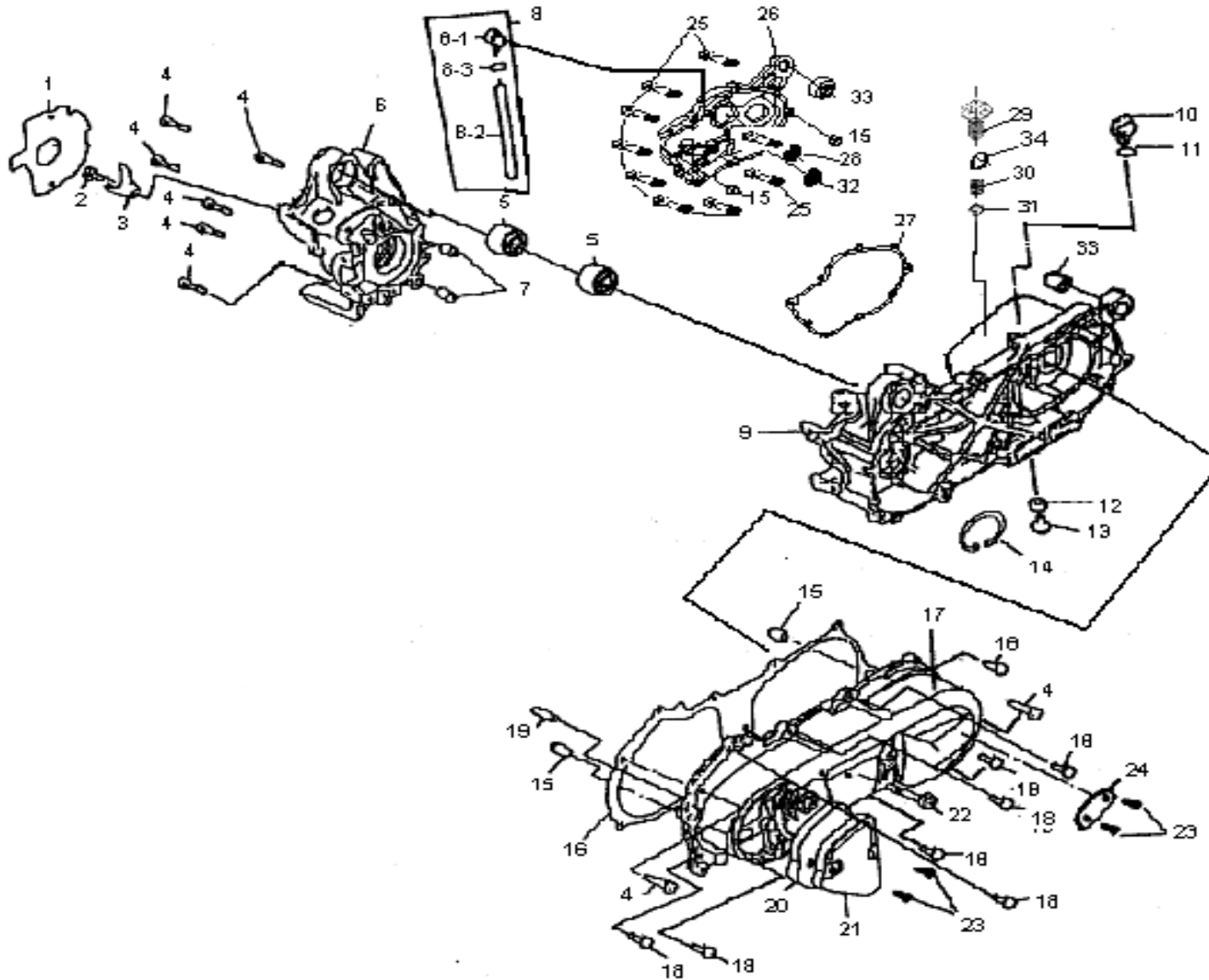
REF #	PART #	DESCRIPTION	QTY	2003	2004	2005
7-1	11394-4DM-00	GASKET, CRANKCASE COVER	1	1	1	1
7-2	93500-06012-K	SCREW WASHER	1	1	1	1
7-3	11121-4DM-00	HOLDER	1	1	1	1
7-4	93500-06035-K	SCREW, PAN	8	10	10	8
7-5	11103-4DM-00	RUBBER BUSH, ENGINE	2	2	2	2
7-6	11100-3XG-00	CRANKCASE RIGHT	1	1	1	1
7-7	94301-12160	PIN, DOWEL	2	2	2	2
7-8	11220-4DM-00	BREATHER COMP	1	1	1	1
7-9	11200-3XGR-00	CRANK CASE LEFT (50cc)	1	1	1	1
	11200-4DMR-00	CRANK CASE LEFT (90cc)	1			1
7-10	15651-4DM-00	PLUG, OIL	1	1	1	1
7-11	94608-13825	O-RING	1	1	1	1
7-12	94104-08015	WASHER F15*F8	1	1	1	1
7-13	95701-08016-K	BOLT FLANGE M8*16	1	1	1	1
7-14	94520-42000	CIRCLIP EX F42	1	1	1	1
7-15	94301-10140	PIN, DOWEL	1	1	1	1
7-16	11395-4DM-00	GASKET CRANK CASE COVER L	1	1	1	1
7-17	11341-3XG-00	COVER SIDE	1	1	1	1
7-18	93500-06025-K	SCREW PAN M6*25	8	8	8	8
7-19	11342-4DM-00	SHAFT $\Phi 8 \times 31$	1	1	1	1
7-20	11362-3XG-00	ELEMENT	1	1	1	1
7-21	11363-3XG-00	GUIDE ELEMENT	1	1	1	1
7-22	93500-06065-K	SCREW PAN M6*65	1	1	1	1
7-23	93500-05008-K	SCREW PAN M5*8	2	4	4	2
7-24	11364-3XG-00	PLATE	1	1	1	1
7-25	91000-06035	HEXAGON BOLT(M6*35)	9			9
7-26	23100-4DMR-00	MISSION COVER(50cc;90cc)	1	1	1	1
7-27	21395-4DMR-00	GASKET, MISSION COVER	1	1	1	1
7-28	96100-62013-10	BEARING	1			1
7-29	96010-14021	BOLT FLANGE	1			1
7-30	95000-03020	SPRING	1			1
7-31	95100-09500	BALL	1			1
7-32	96100-62023-10	BEARING	1			1



Enlarged figure
next page

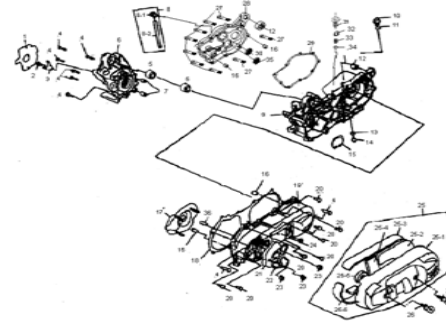
E07 50cc CRANK CASE/ CRANK COVER

REF #	PART #	DESCRIPTION	QTY	2003	2004	2005
7-33	11203-4DM-00	BUSH REAR SHOCK ABSRBER	1	1	1	1
7-34	94101-1422010	WASHER	1			1



E08 90/100cc CRANK CASE/ CRANK COVER

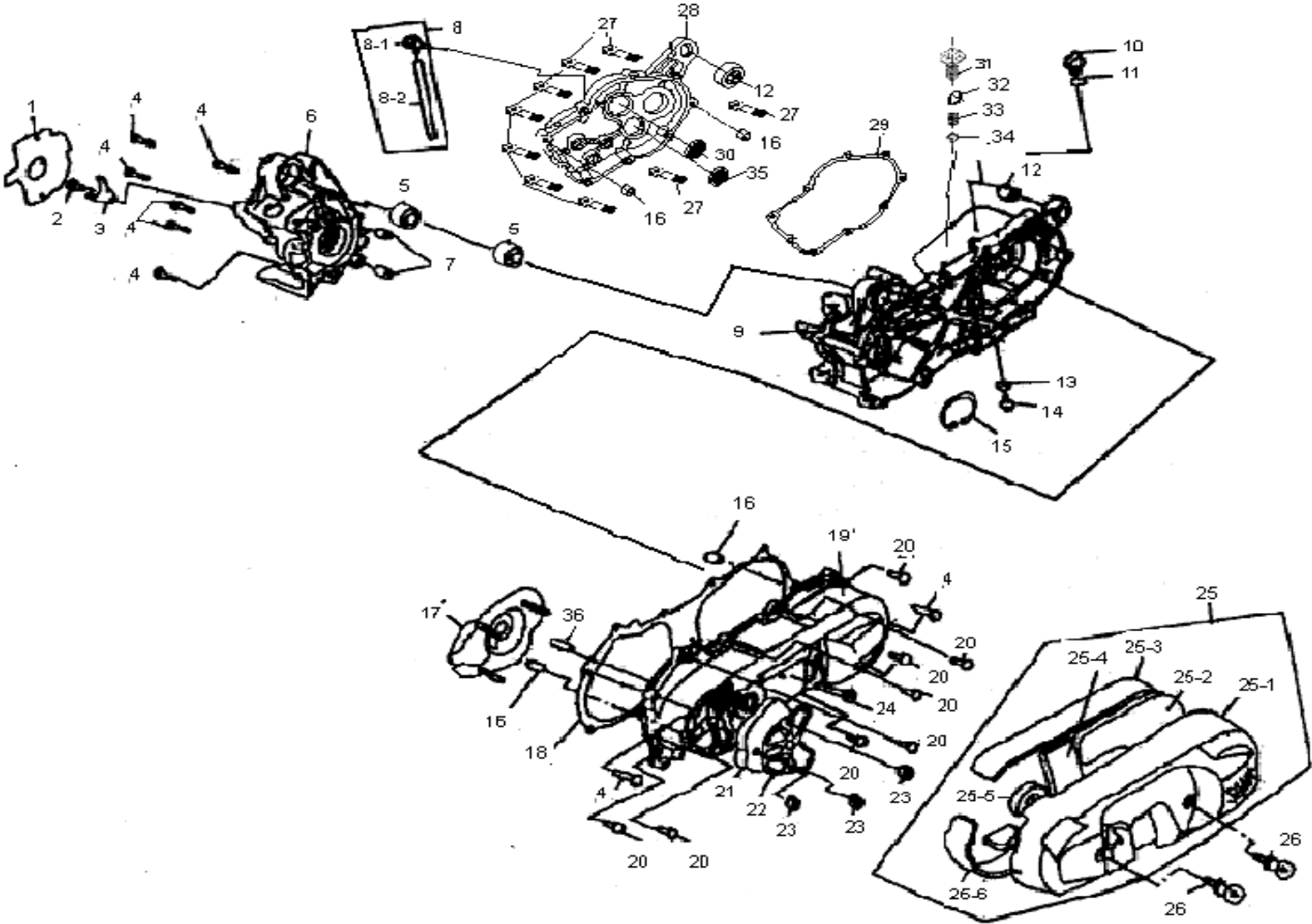
REF #	PART #	DESCRIPTION	QTY	2003	2004	2005
8-1	11394-4DM-00	GASKET, CRANK CASE COVER	1	1	1	1
8-2	93500-06012-K	SCREW WASHER	1	1	1	1
8-3	11121-4DM-00	HOLDER	1	1	1	1
8-4	93500-06035-K	SCREW, PAN	1	1	1	1
8-5	11103-4DM-00	RUBBER BUSH ENGINE	2	2	2	2
8-6	11100-4DM-00	CRANKCASE, RIGHT	2	2	2	2
8-7	94301-12160	PIN, DOWEL	3	3	3	3
8-8	11220-4DM-00	BREATHER COMP	3	3	3	3
8-9	11200-3XGR-00	CRANK CASE LEFT (50cc)	1	1	1	1
8-10	15651-4DM-00	PLUG, OIL	1	1	1	1
8-11	94608-13825	O-RING	1	1	1	1
8-12	11203-4DM-00	BUSH REAR SHOCK ABSRBER	1	9	9	1
8-13	94104-08015	WASHER F15*F8	1	10	10	1
8-14	95701-08016-K	BOLT FLANGE M8*16	1	11	11	1
8-15	94520-42000	CIRCLIP EX F42	1	11	11	1
8-16	94301-10140	KNOCK PIN F10*14	2	12	12	2
8-17	11364-4DM-00	PLATE	1	1	1	1
8-18	11395-4DM-00	GASKET CRANK CASE COVER L	1	1	1	1
8-19	11341-4DM-00	COVER SIDE	1	1	1	1
8-20	93500-06025-K	SCREW PAN	8	3	3	8
8-21	11362-4DM-00	ELEMENT	1	1	1	1
8-22	11363-4DM-00	COVER ELEMENT	1	1	1	1
8-23	94050-06060-K	NUT FLANGE M6	3	3	3	3
8-24	93500-06065-K	SCREW PAN M6*65	1	1	1	1
8-25	1135A-4DM-00	COVER SHOURD ASS'YL	1	1	1	1
8-26	1137A-4DM-00	BOLT M6*23	2			2
8-27	91000-06035	BOLT	9			9
8-28	23100-4DMR-00	MISSION COVER(50cc;90cc)	1	1	1	1
8-29	21395-4DMR-00	GASKET,MISSION COVER	1	1	1	1
8-30	96100-62013-10	BEARING	1			1
8-31	96010-14021	BOLT FLANGE	1			1
8-32	94101-1422010	WASHER	1			1



Enlarged figure
next page

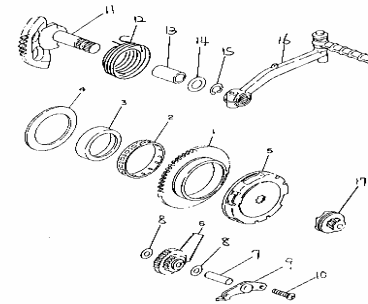
E08 90/100cc CRANK CASE/ CRANK COVER

REF #	PART #	DESCRIPTION	QTY	2003	2004	2005
8-33	95000-03020	SPRING	1			1
8-34	95100-09500	BALL	1			1
8-35	96100-62023-10	BEARING	1			1
8-36	11342-4DM-00	SHAFT	1	1	1	1



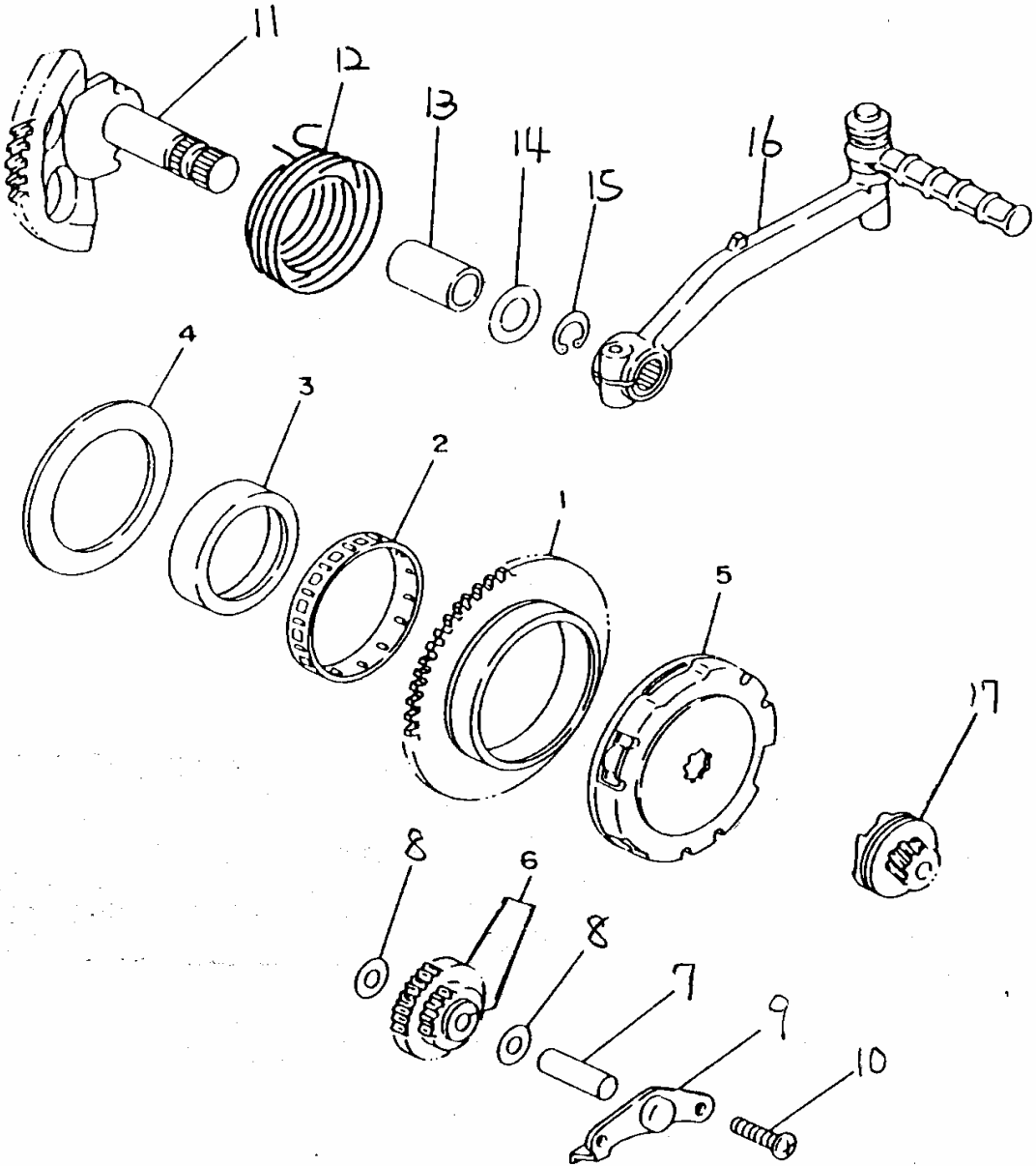
E09 KICK SHAFT ASSY

REF #	PART #	DESCRIPTION	QTY	2003	2004	2005
9-1	28110-3XG-00	WHEEL, STARTER(50c.c.)	1	1	1	1
	28110-4DM-00	WHEEL, STARTER(90c.c.)	1	1	1	1
9-2	91100-555913	BEARING.	1	1	1	1
9-3	28115-4DM-00	BOSS, GEAR 2	1	1	1	1
9-4	94104-55506	WASHER, PLATE	1	1	1	1
9-5	28120-3XG-00	STARTER CLUTCH ASSY(50c.c.)	1	1	1	1
	28120-4DM-00	STARTER CLUTCH ASSY(90c.c.)	1	1	1	1
9-6	28100-3XG-00	IDLE GEAR ASSY(50c.c.)	1	1	1	1
	28100-4DM-00	IDLE GEAR ASSY(90c.c.)	1	1	1	1
9-7	28102-3XG-00	SHAFT, IDLE GEAR(50c.c.)	1	1	1	1
	28102-4DM-00	SHAFT, IDLE GEAR(90c.c)	1	1	1	1
9-8	94104-08212	WASHER, PLATE	2	2	2	2
9-9	28105-4DM-00	PLATE, IDLE GEAR	1	1	1	1
9-10	93892-06012	SCREW, PAN HEAD	2	2	2	2
9-11	28250-4DM-00	KICK SHAFT ASSY	1	1	1	1
9-12	28281-4DM-00	SPRING, TORSION	1	1	1	1
9-13	28254-4DM-00	BUSH, SOLID	1	1	1	1
9-14	94104-15010	WASHER, PLATE	1	1	1	1
9-15	94510-15000	CIRCLIP	1	1	1	1
9-16	28300-4DM-00	KICK CRANK ASSY	1	1	1	1
9-17	2823A-4DM-00	KICK PINION ASSY	1	1	1	1



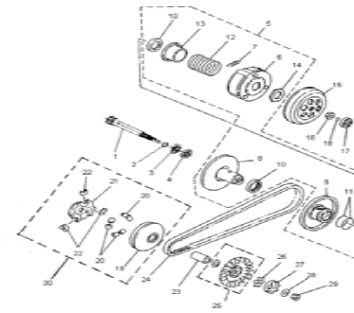
Enlarged figure
next page

E09 KICK SHAFT ASSY



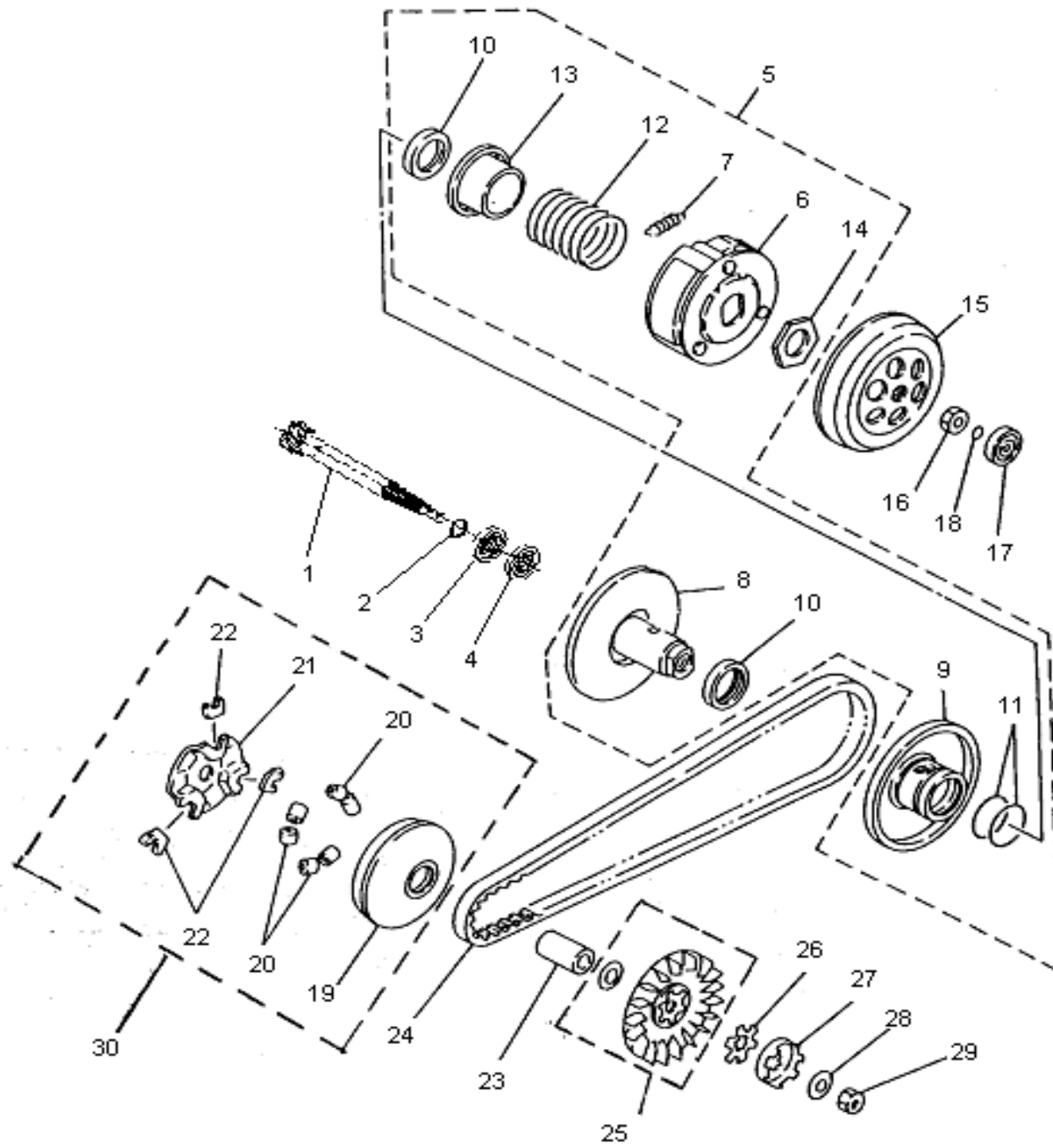
E10 CLUTCH ASSY

REF #	PART #	DESCRIPTION	QTY	2003	2004	2005
10-1	23411-3XG-00	GEAR, PRIMARY DRIVE(50c.c.)	1	1	1	
	23411-4DM-00	GEAR, PRIMARY DRIVE(90c.c.)	1	1	1	1
10-2	94510-17000	CIRCLIP F17	1	1	1	1
10-3	96100-60030	BEARING. 6003	1	1	1	1
10-4	91203-4DM-00	SEAL, OIL 6202-27,HTCL 17,F28*5.5	1	1	1	1
10-5	2310A-3XG-00	SECONDARY SHEAVE ASS'Y(50c.c.)	1	1	1	1
	2310A-4DM-00	SECONDARY SHEAVE ASS'Y(90c.c.)	1	1	1	1
10-16	94050-10080-K	NUT M10	1	1	1	1
10-17	96130-6382-10	BEARING 6382	1	1	1	1
10-18	94608-64531	O-RING F9-F7*3mm	1	1	1	1
10-20	22121-3XG-00	WEIGHT(50c.c.)	6			6
	22121-4DM-00	WEIGHT(90c.c.)	6			6
10-23	22105-3XG-00	COLLAR(50c.c.)	1	1	1	1
	22105-4DM-00	COLLAR(90c.c.)	1	1	1	1
10-24	23100-4DM-00	V-BELT	1	1	1	1
10-25	22102-3XG-00	SHEAVE, PRIMARY FIXED(50c.c.)	1	1	1	1
	22102-4DM-00	SHEAVE, PRIMARY FIXED(90c.c.)	1	1	1	1
10-27	28211-3XG-00	CLUTCH, ONEWAY(50c.c.)	1	1	1	1
	28211-4DM-00	CLUTCH, ONEWAY(90c.c.)	1	1	1	1
10-28	9700W-10126	WASHER, CONICAL SPRING F10*F24*2.7mm	1	1	1	1
10-29	94001-100C0	NUT M10	1	1	1	1
10-30	2211A-3XG-00	FACE ASS'Y MOVABLE DRIVE(50c.c.)	1	1	1	1
	2211A-4DM-00	FACE ASS'Y MOVABLE DRIVE(90c.c.)	1	1	1	1



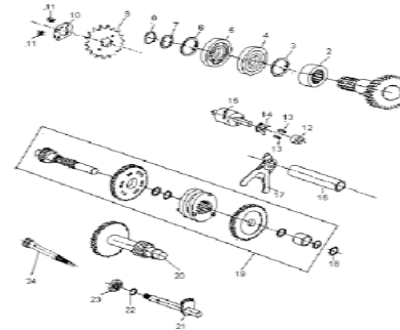
Enlarged figure
next page

E10 CLUTCH ASSY



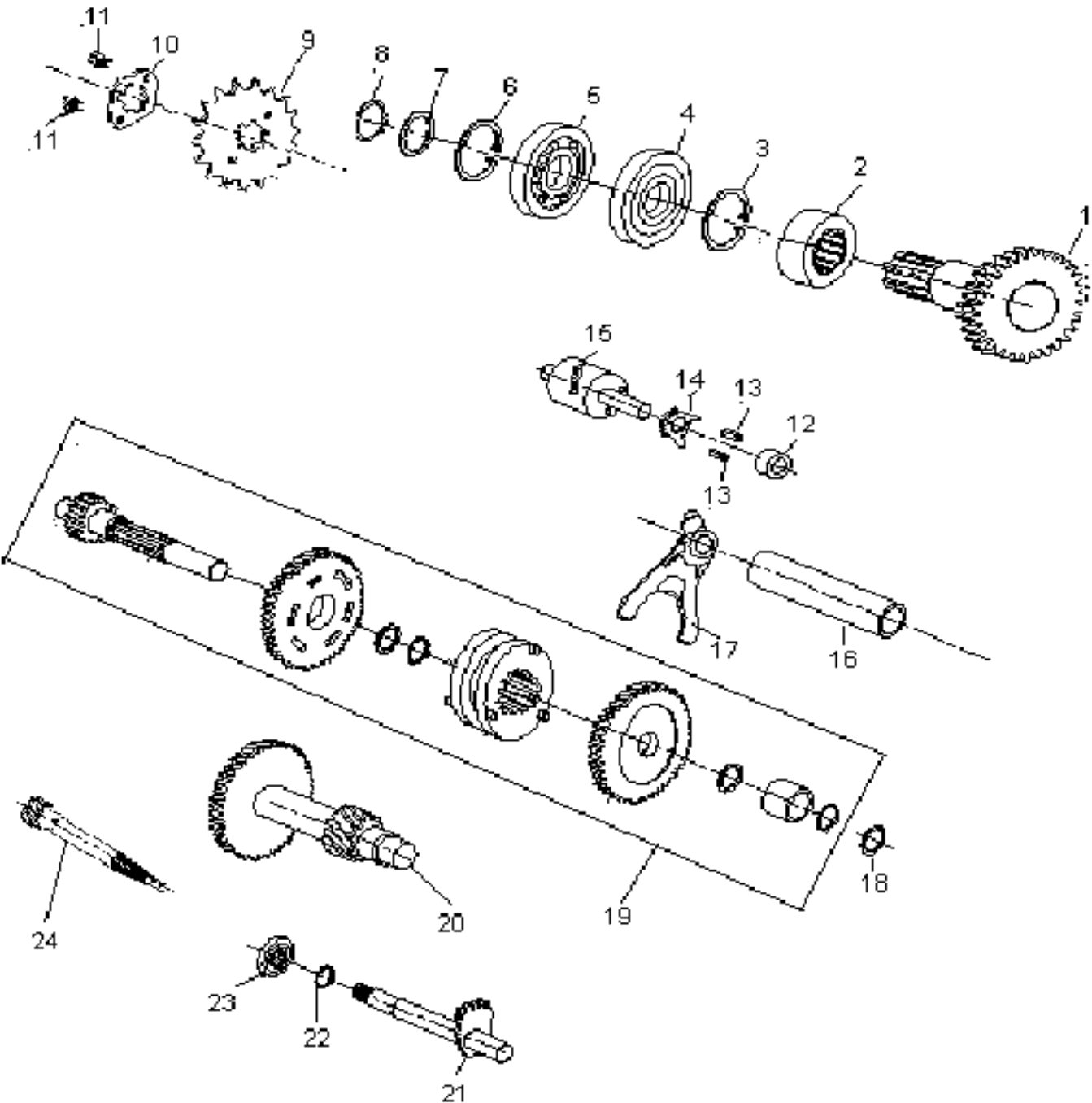
E11 DRIVE ASSY (REVERSE VERSION)

REF #	PART #	DESCRIPTION	QTY	2003	2004	2005
11-1	23430-3XGR-00	DRIVE AXLE ASS'Y	1			1
11-2	91160-253316	BRG	1			1
11-3	94530-32000	CIRCLIP	1	1	1	1
11-4	91204-4DM-00	SEAL, OIL 25*35*6	1	1	1	1
11-5	96150-601040-10	BRG	1	1	1	1
11-6	94520-42000	CIRCLIP	1	1	1	1
11-7	94102-2028010	WASHER	1			1
11-8	94517-MAA-000	CIRCLIP	1			1
11-9	15234-MAA-010	SPORKET/FR.15T	1			1
	15235-MEC-010	SPORKET/FR. 19T	1			1
11-10	12811-4DMR-00	PLATE FIXING	1			1
	15232-MAA-010	SPORKET/FR.15T	1			1
11-11	92000-06010	BOLT	2			2
11-12	23911-4DM-00	COLLOTR	1			1
11-13	96220-50160	PIN	2			2
11-14	24411-4DM-00	CAM GEAR SHIFT	1			1
11-15	24301-4DMR-000	DRUM GEAR SHIFT	1			1
11-16	24241-4DMR-00	SHIFT FORK GUIDE	1			1
11-17	24211-4DMR-00	GEAR SHIFT	1			1
11-18	94102-1218010	WASHER	1			1
11-19	23450-4DMR-00	REVERSE AXLE ASS'Y	1			1
11-20	23420-4DMR-00	MAIN AXLE COMP	1	1	1	1
11-21	24610-4DMR-00	SPINDLE COMP,GEAR SHIFT	1			1
11-22	94513-MAA-000	CIRCLIP	1			1
11-23	92104-MAA-000	SEAL.OIL	1			1
11-24	23411-4DMR-00	PRIMAY, DRIVE GEAR	1			1



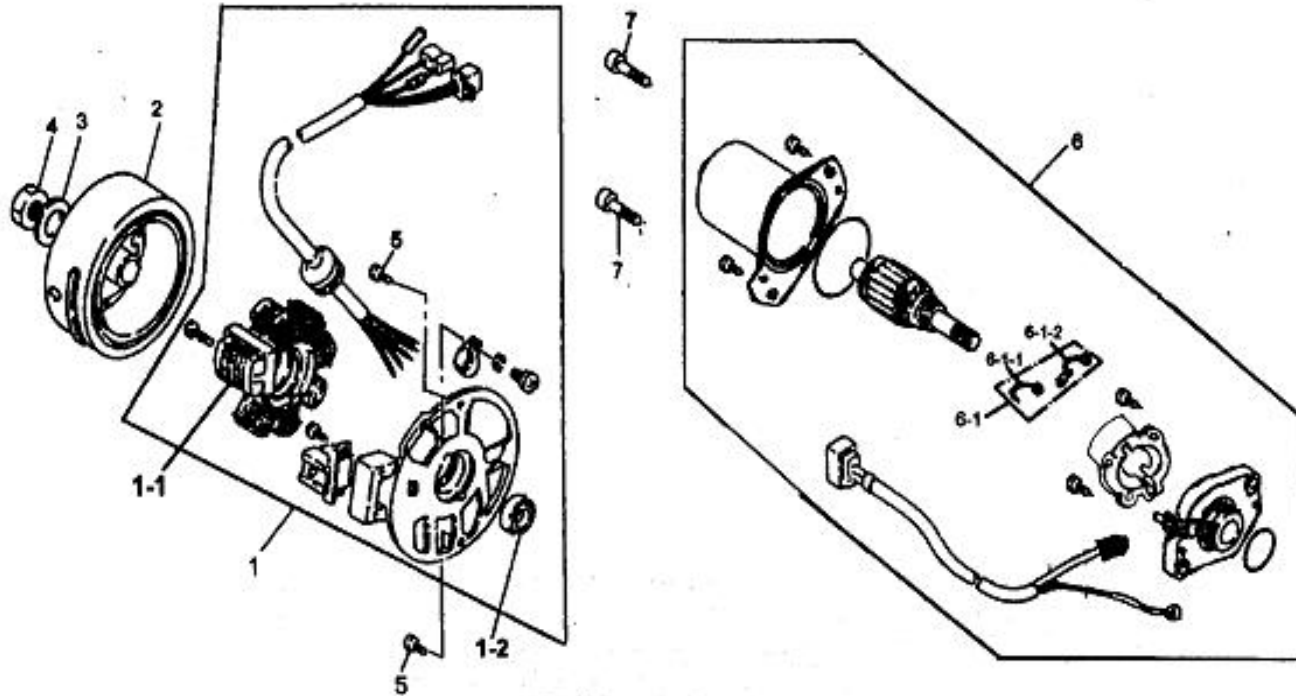
Enlarged figure
next page

E11 DRIVE ASSY (REVERSE VERSION)



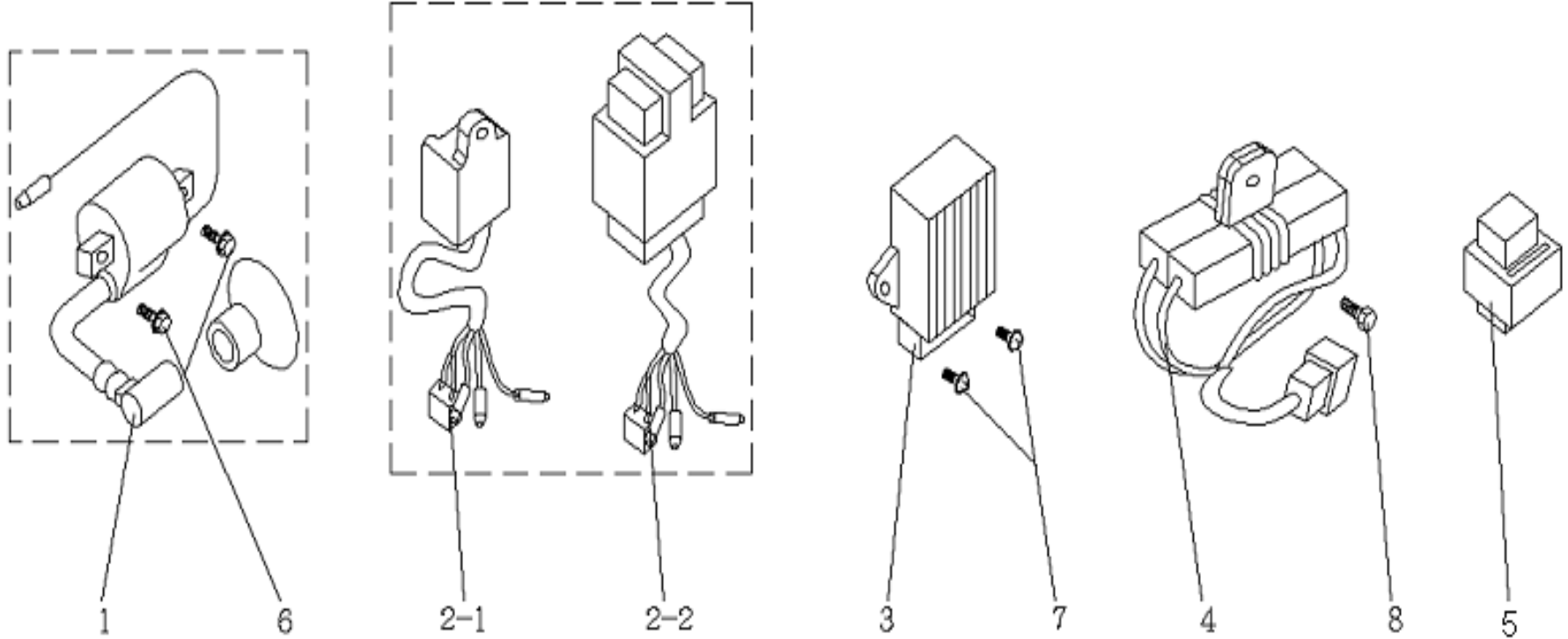
E12 GENERATOR/ STARTER MOTOR

REF #	PART #	DESCRIPTION	QTY	2003	2004	2005
1	31120-4DM-00	STATOR, COMP	1	1	1	1
2	31110-3XG-00	FLYWHEEL, COMP (50c.c.)	1	1	1	1
	31110-4DM-00	FLYWHEEL, COMP (90c.c.)	1	1	1	1
3	94102-10520	WASHER	1	1	1	1
4	94001-100C0	NUT, HEX	1	1	1	1
5	93500-06016-K	SCREW, PAN	2	2	2	2
6	31200-3XG-00	STARTER MOTOR ASSY(50c.c.)	1	1	1	1
	31200-4DM-00	STARTER MOTOR ASSY(90c.c.)	1	1	1	1
7	96001-06022-0H	BOLT, FLANGE	2	2	2	2



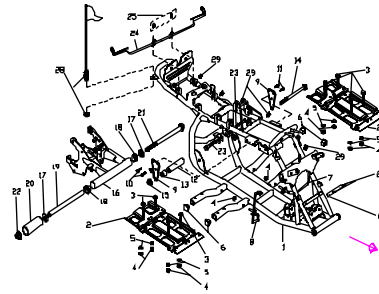
E13 ELECTRICAL EQUIPMENT

REF #	PART #	DESCRIPTION	QTY	2003	2004	2005
1	30510-4DM-00	COIL, IGN COMP	1	1	1	1
2	30410-3XG-00	C.D.I.UNIT, COMP (50c.c.)	1	1	1	1
	30410-4DM-00	C.D.I. UNIT, COMP (90c.c.)	1	1	1	1
3	31600-4DM-00	RECTIFIER / REGULATOR COMP	1	1	1	1
4	35400-4DM-00	RESISTOR, COMP	1	1	1	1
5	35850-4DM-00	RELAY, STARTER COMP	1	1	1	1
6	96000-06016	BOLT, FLANGE (M6X16)	2	2	2	2
7	93500-05012	BOLT(M5X12)	2	2	2	2
8	92000-06012	BOLT(M6X12)	1	1	1	1



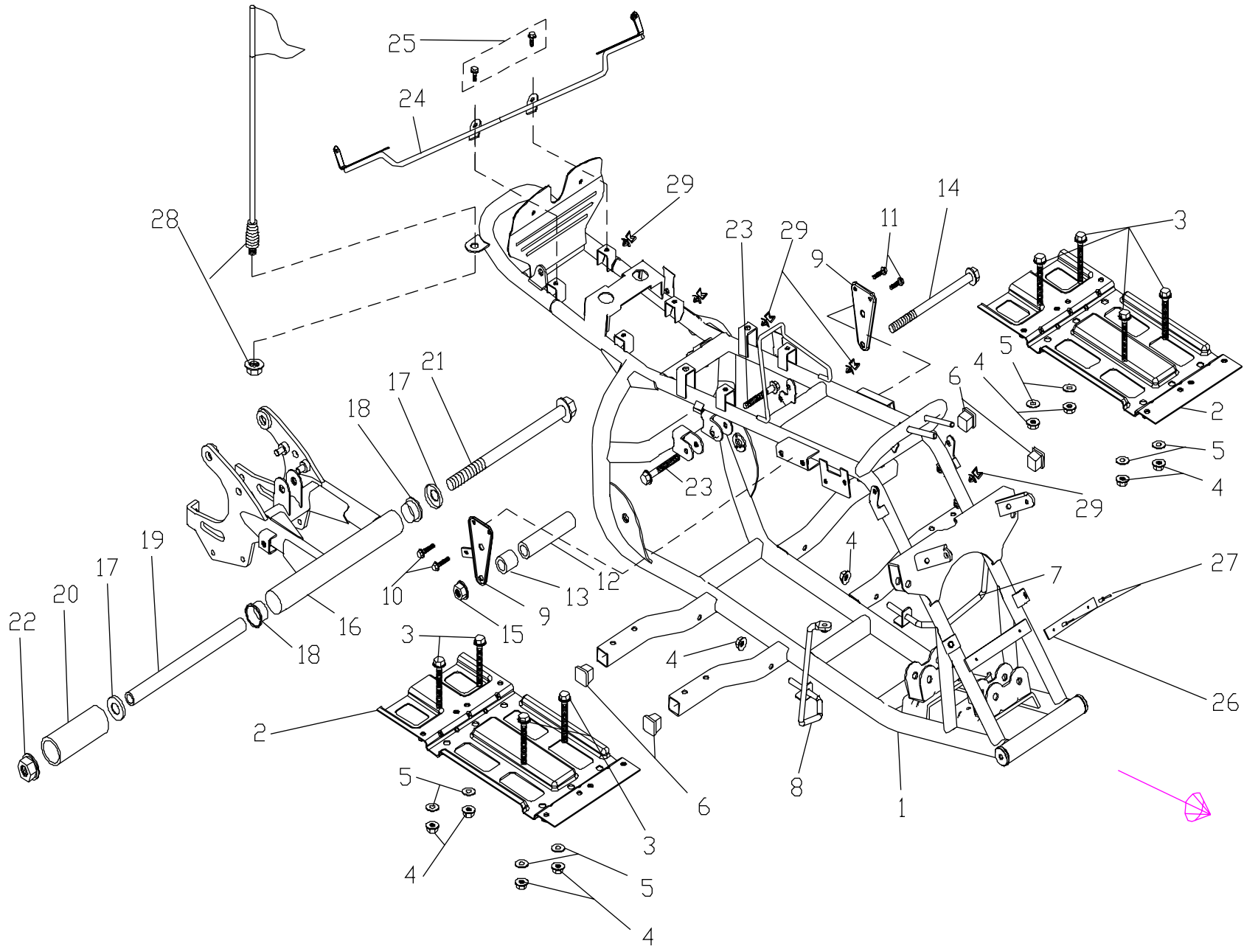
F01 FRAME

REF #	PART #	DESCRIPTION	QTY	2003	2004	2005
1-3	96000-08014	BOLT, FLANGE	8	6	6	8
1-4	90350-08000	LOCK NUT	10	10	10	10
1-5	17630-MAA-000	CUSHION RUBBER	8	8	8	8
1-6	64312-MAA-000	SQUARE STOPPER	4	4	4	4
1-7	50261-MAA-000BK	FOOTBOARD FIXED STAY COMP. L	1	1	1	1
1-8	50271-MAA-000BK	FOOTBOARD FIXED STAY COMP. R	1	1	1	1
1-9	50210-MAB-000BK	ENG. HANGER PLATE	2	2	2	2
1-10	96000-08020	FLANGE BOLT	2	2	2	2
1-11	96000-08014	FLANGE BOLT	2			2
1-12	44130-MAA-000	ENG MOUNTING SPACE PIPE 1	1	1	1	1
1-13	44140-MAA-000	ENG MOUNTING SPACE PIPE 2	1	1	1	1
1-14	96000-12220	FLANGE BOLT	1	1	1	1
1-15	90350-12000	LOCK NUT	1	1	1	1
1-16	52371-MAA-010BK	REAR FORK COMP.(50c.c.)	1	1	1	1
1-17	11400-MAA-000	REAR FORK SEAL COVER	2	2	2	2
1-18	22135-MAA-000	BUSH CONTAIN OIL	2	2	2	2
1-19	44170-MAA-000	RR FORK SPAER SLEEVE	1	1	1	1
1-20	53436-MAA-000	RUBBER SLEEVE	1	1	1	1
1-21	96000-14290	FLANGE BOLT	1	1	1	1
1-22	90350-14000	LOCK NUT	1	1	1	1
1-23	96000-08036-L	FLANGE BOLT	2			2
1-25	96000-06012	FLANGE BOLT	2			2
1-27	94100-03500	RIVET	2			2
1-28	88001-MAA-000	FLAGPOLE ASS'Y	1			1
1-29	81149-MAA-000	LIFT WIRE	1			1



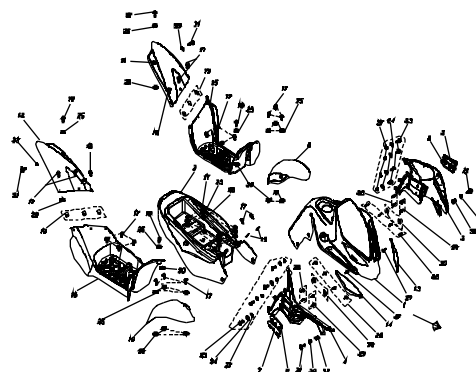
Enlarged figure
next page

F01 FRAME



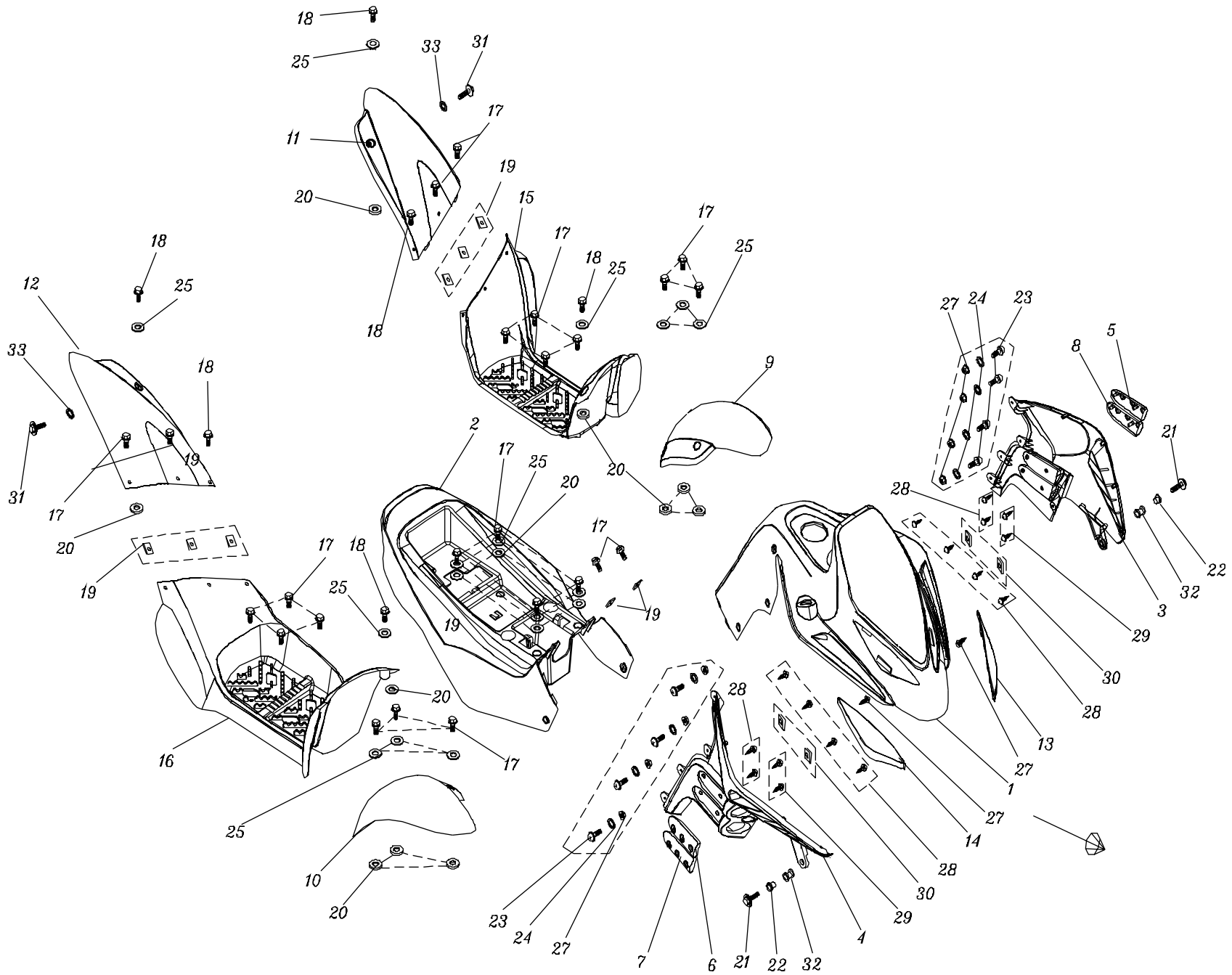
F02 BODY COVER

REF #	PART #	DESCRIPTION	QTY	2003	2004	2005
2-1	64301-MAA-000WH	COVER, FR (WHITE)	1	1	1	1
2-2	81260-MAA-000WH	COVER, RR (WHITE)	1	1	1	1
2-3	83601-MAA-000RD	COVER, SIDE L (RED)	1	1	1	1
	83601-MAA-000BL	COVER, SIDE L (BLUE)	1	1	1	1
2-4	83501-MAA-000RD	COVER, SIDE R (RED)	1	1	1	1
	83501-MAA-000BL	COVER, SIDE R (BLUE)	1	1	1	1
2-5	83602-MAA-000SL	COVER, UPPER SIDE L (SILVER)	1	1	1	1
2-6	83502-MAA-000SL	COVER, UPPER SIDE R (SILVER)	1	1	1	1
2-7	83504-MAA-000SL	COVER, LOWER SIDE R (SILVER)	1	1	1	1
2-8	83604-MAA-000SL	COVER, LOWER SIDE L (SILVER)	1	1	1	1
2-9	61200-MAA-000RD	FENDER, FR. L (RED)	1	1	1	1
	61200-MAA-000BL	FENDER, FR. L (BLUE)	1	1	1	1
2-10	61100-MAA-000RD	FENDER, FR. R (RED)	1	1	1	1
	61100-MAA-000BL	FENDER, FR. R (BLUE)	1	1	1	1
2-11	83603-MAA-000RD	FENDER, RR. L (RED)	1	1	1	1
	83603-MAA-000BL	FENDER, RR. L (BLUE)	1	1	1	1
2-12	83503-MAA-000RD	FENDER, RR. R (RED)	1	1	1	1
	83503-MAA-000BL	FENDER, RR. R (BLUE)	1	1	1	1
2-13	64402-MAA-000RD	LENS./L (RED)	1	1	1	1
2-14	64401-MAA-000RD	LENS./R (RED)	1	1	1	1
2-15	64330-MAA-000BK	FOOTBOARD/L (BLACK)	1	1	1	1
2-16	64310-MAA-000BK	FOOTBOARD/R (BLACK)	1	1	1	1
2-17	96000-06012	FLANGE BOLT	24			24
2-18	96000-06016	FLANGE BOLT	6			6
2-19	90344-06000	SPRING NUT	8			8
2-20	17631-MAA-000	CUSHION RUBBER	14			14
2-21	96000-06020	FLANGE BOLT	2			2
2-23	93000-05012	ROUND HEAD BOLT	8			8
2-24	94101-0514010	WASHER	8			8
2-25	94101-0613010	WASHER	14			14
2-26	90350-05000	LOCK NUT	8			8



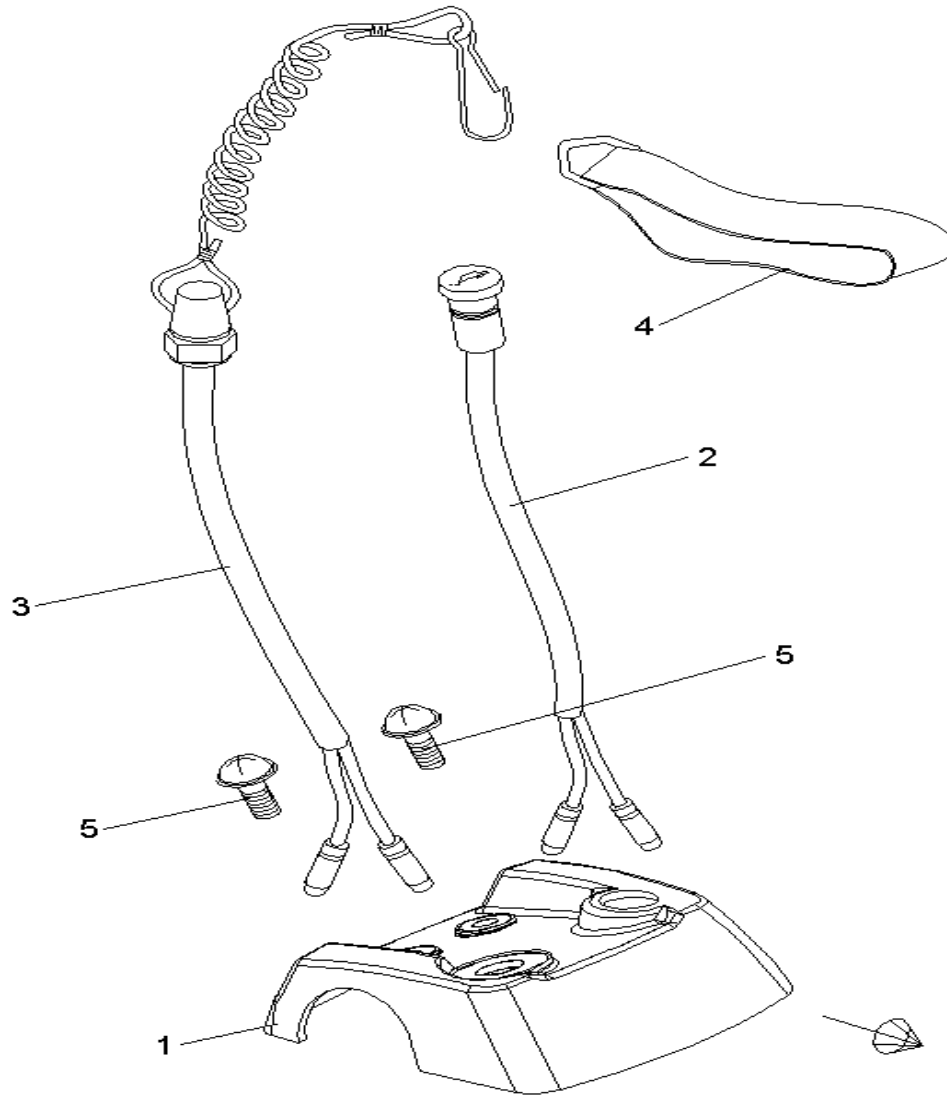
Enlarged figure
next page

F02 BODY COVER



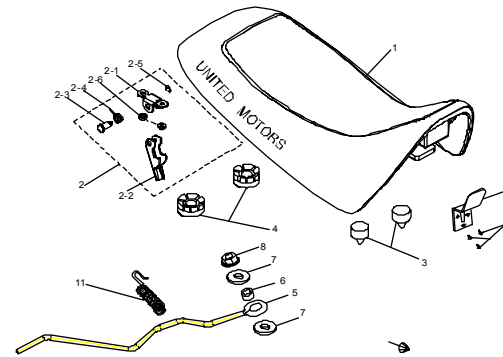
F03 HANDLE COVER SYSTEM

REF #	PART #	DESCRIPTION	QTY	2003	2004	2005
3-1	50240-MAA-030BK	HANDLE COVER(BLACK)	1			1
3-2	33501-MAA-000	OIL ALARM LAMP ASS'Y(RED)	1	1	1	
3-3	35110-MAA-000	SAFTY SWITCH ASS'Y	1	1	1	
3-4	50270-MAA-010BK	PROTECT HAND RING	1			1
3-5	93000-06012	ROUND HEAD BOLT	2			2



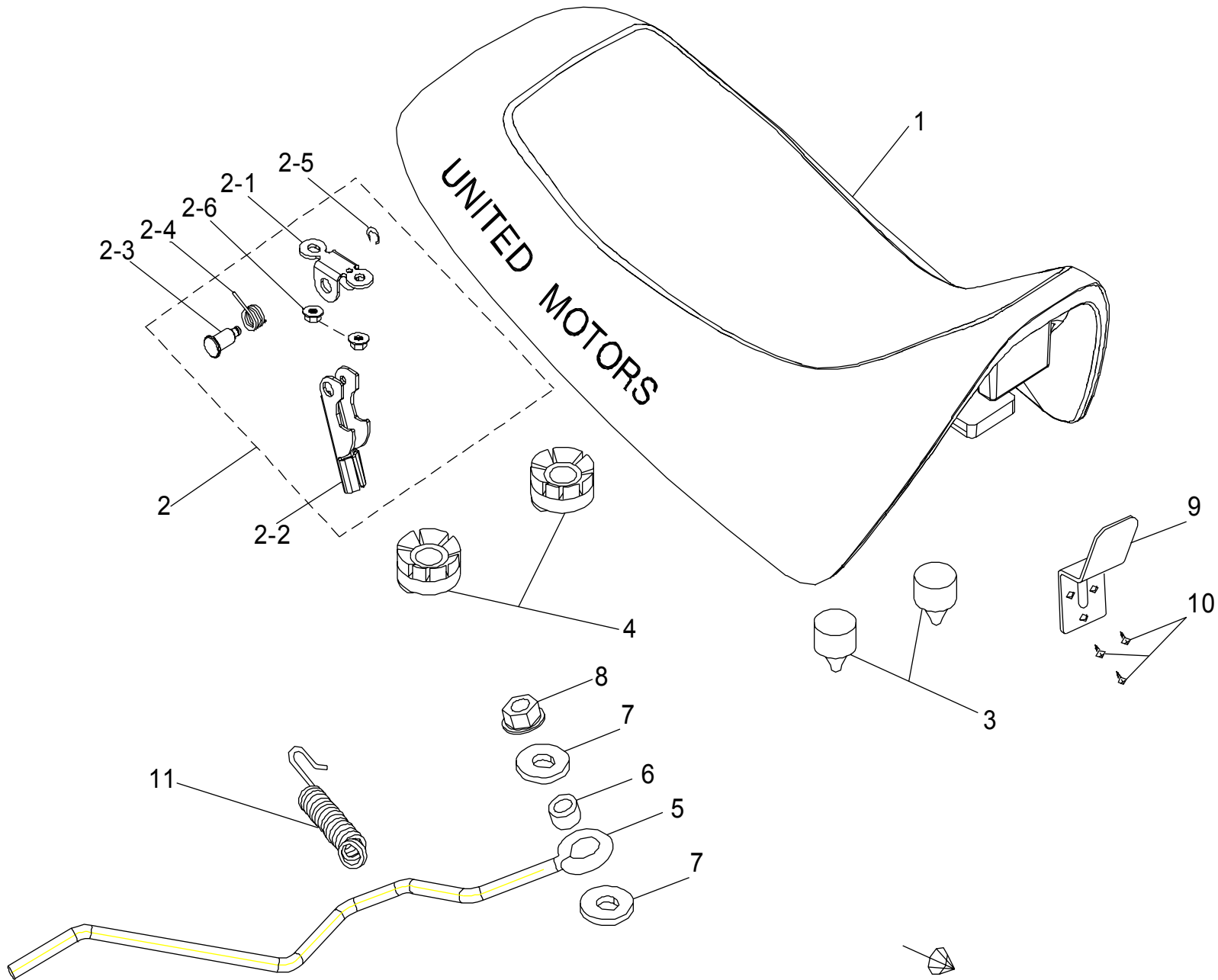
F04 SEAT

REF #	PART #	DESCRIPTION	QTY	2003	2004	2005
4-1	77100-MAC-000	SEAT ASS'Y (RED)	1	1	1	
	77100-MAC-001	SEAT ASS'Y (BLUE)	1	1	1	
4-2	77235-MAA-000	LOCK ASS'Y, SEAT	1	1	1	
4-2-6	90350-06000	LOCK NUT	2			2
4-3	85258-MAA-000	CUSHION RUBBER, FR SEAT	2	2	2	
4-4	85268-MAA-000	CUSHION RUBBER, RR SEAT	2	2	2	
4-5	77236-MAA-000	SEAT LOCK ARM	1			1
4-6	77237-MAA-000	COLLAR	1			1
4-7	94101-0622010	WASHER	2			2
4-8	90350-06000	LOCK NUT(M6)	1			1
4-9	75583-MAA-000	SEAT DRIVER BRKT	1			1
4-10	93093-05015	TAPPING SCREW	3			3
4-11	77238-MAA-000	DRAW SPRING	1			1



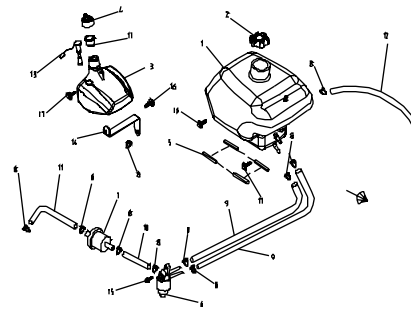
Enlarged figure
next page

F04 SEAT



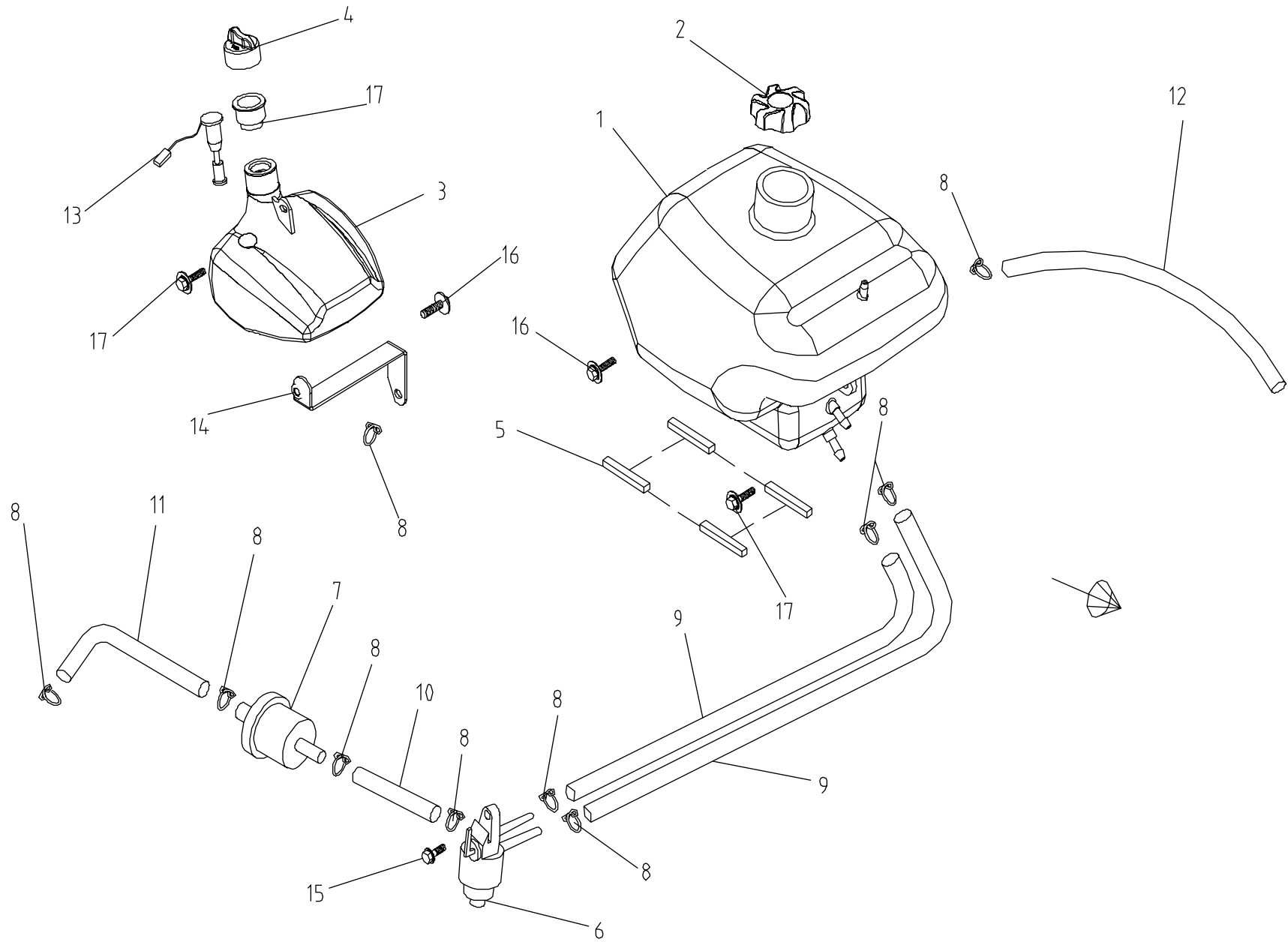
F05 OIL TANK/ FUEL TANK

REF #	PART #	DESCRIPTION	QTY	2003	2004	2005
5-1	50240-MAA-030BK	FUEL TANK(BLACK)	1	1	1	1
5-2	17620-MAA-000BK	CAP(BLACK), FUEL TANK	1	1	1	1
5-3	17800-MAA-000WH	OIL TANK(WHITE)	1	1	1	1
5-5	81146-MAA-000	CUSHION RUBBER	4	4	4	4
5-6	16950-MAA-000	FUEL PETCOCK ASS'Y	1	1	1	1
5-7	16910-MAA-000	FILTER ASS'Y, FUEL	1	1	1	1
5-8	95002-01100	CLIP2	10	8	8	10
5-9	17684-MAA-000	HOSE 1, FUEL	1	1	1	2
5-10	17682-MAA-000	HOSE 2, FUEL	1	1	1	1
5-11	17683-MAA-000	HOSE 3, FUEL	1	1	1	1
5-12	17685-MAA-000	HOSE 4, FUEL	1	1	1	1
5-13	39801-MAA-000	GAUGE ASS'Y, OIL LEVEL	1	1	1	1
5-14	50250-MAA-010BK	HANGER, OIL TANK	1	1	1	1
5-15	92000-06012	BOLT	1	1	1	1
5-16	92000-06016	WASHER BOLT	4	4	4	4
5-17	17650-MAA-000	OIL TANK CAP STOPPER	1		1	1



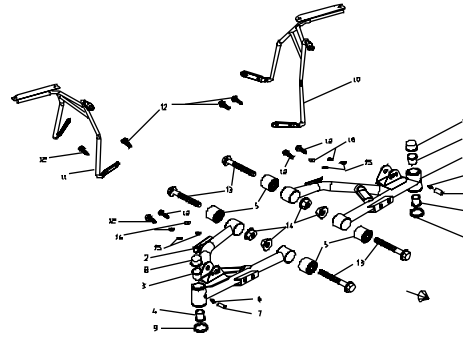
Enlarged figure
next page

F05 OIL TANK/ FUEL TANK



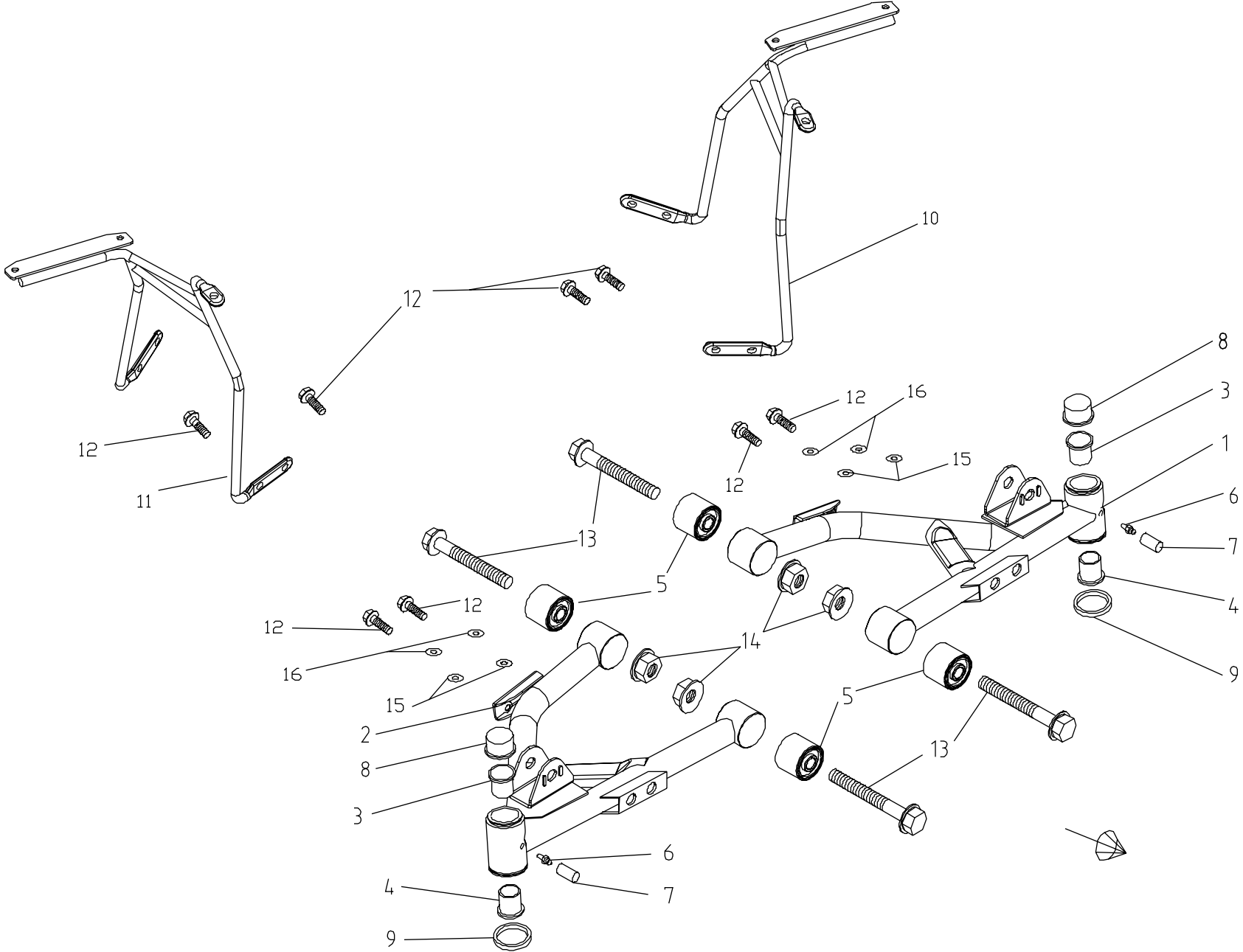
F06 FRONT SWINGARMS

REF #	PART #	DESCRIPTION	QTY	2003	2004	2005
6-3	22115-MAA-000	BUSH CONTAIN OIL(UPPER)	2	1	1	2
6-4	50270-MAA-010BK	BUSH CONTAIN OIL(LOWER)	2	1	1	2
6-5	11303-MAA-000	BUSH	4	4	4	4
6-6	43350-MAA-000	GREASE VALVE	2	2	2	2
6-7	52225-MAA-000	GREASE VALVE CAP	2	2	2	2
6-8	52235-MAA-000	WATER PROOF COVER	2	2	2	2
6-9	52245-MAA-000	SEAL, DUST	2	2	2	2
6-12	96000-06010	BOLT, FLANGE	8	8	8	8
6-13	96000-10048	BOLT, FLANGE	4	4	4	
6-14	90350-08000	LOCK NUT	4	4	4	
6-15	94101-0613010	WASHER	4			4
6-16	94111-06000	SPRING WASHER	4			4



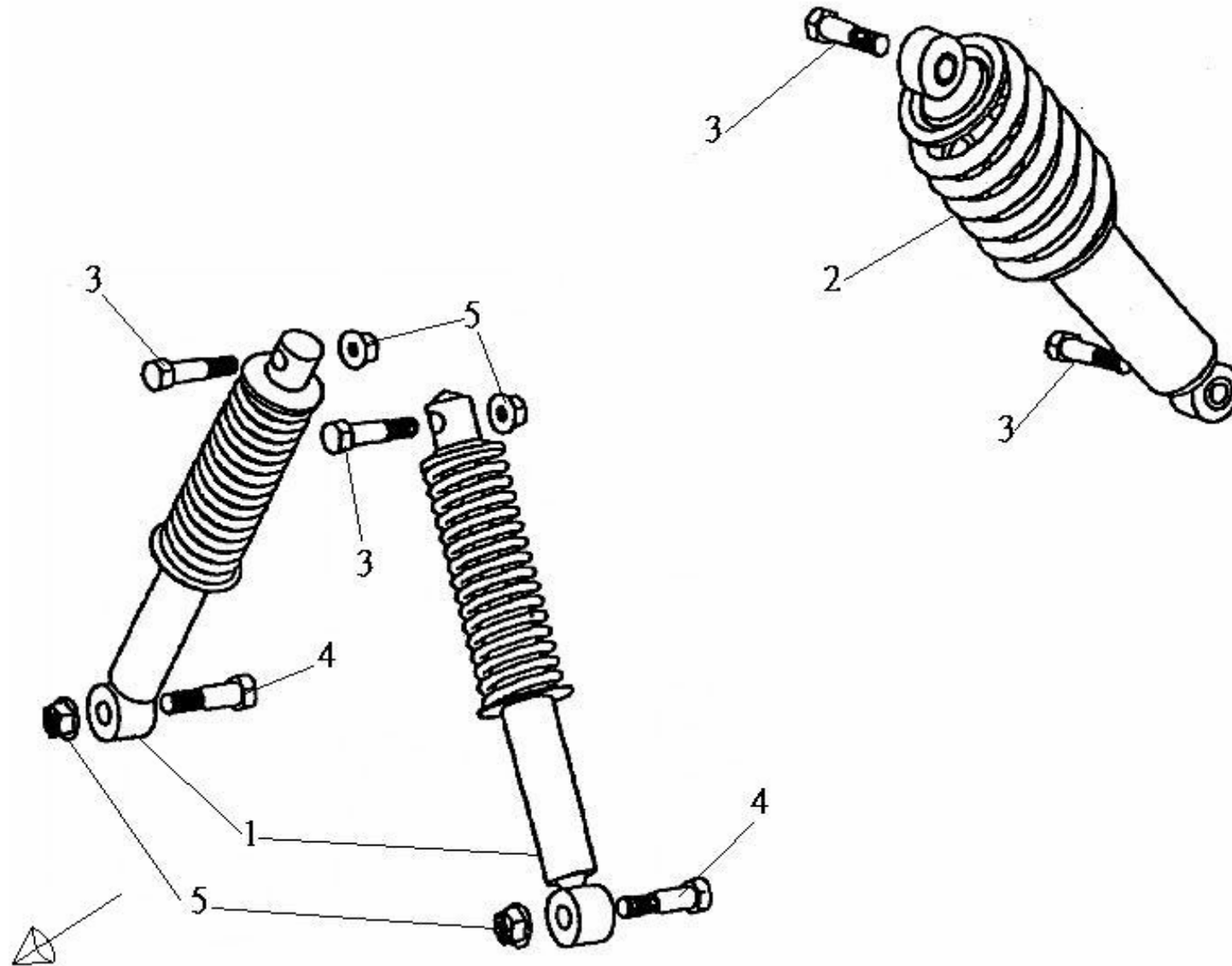
Enlarged figure
next page

F06 FRONT SWING ARMS



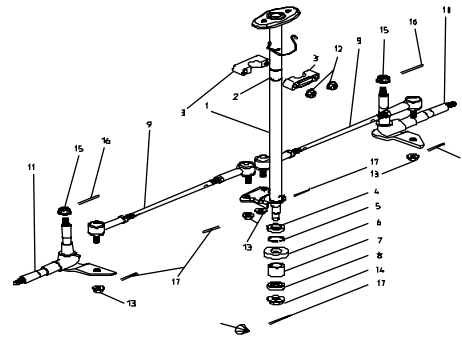
F07 SHOCK ABSORBERS

REF #	PART #	DESCRIPTION	QTY	2003	2004	2005
3	96000-10040	BOLT, FLANGE	4	4	4	4
4	92000-10040	BOLT	2	2	2	2
5	90350-10000	LOCK NUT	2	2	2	4



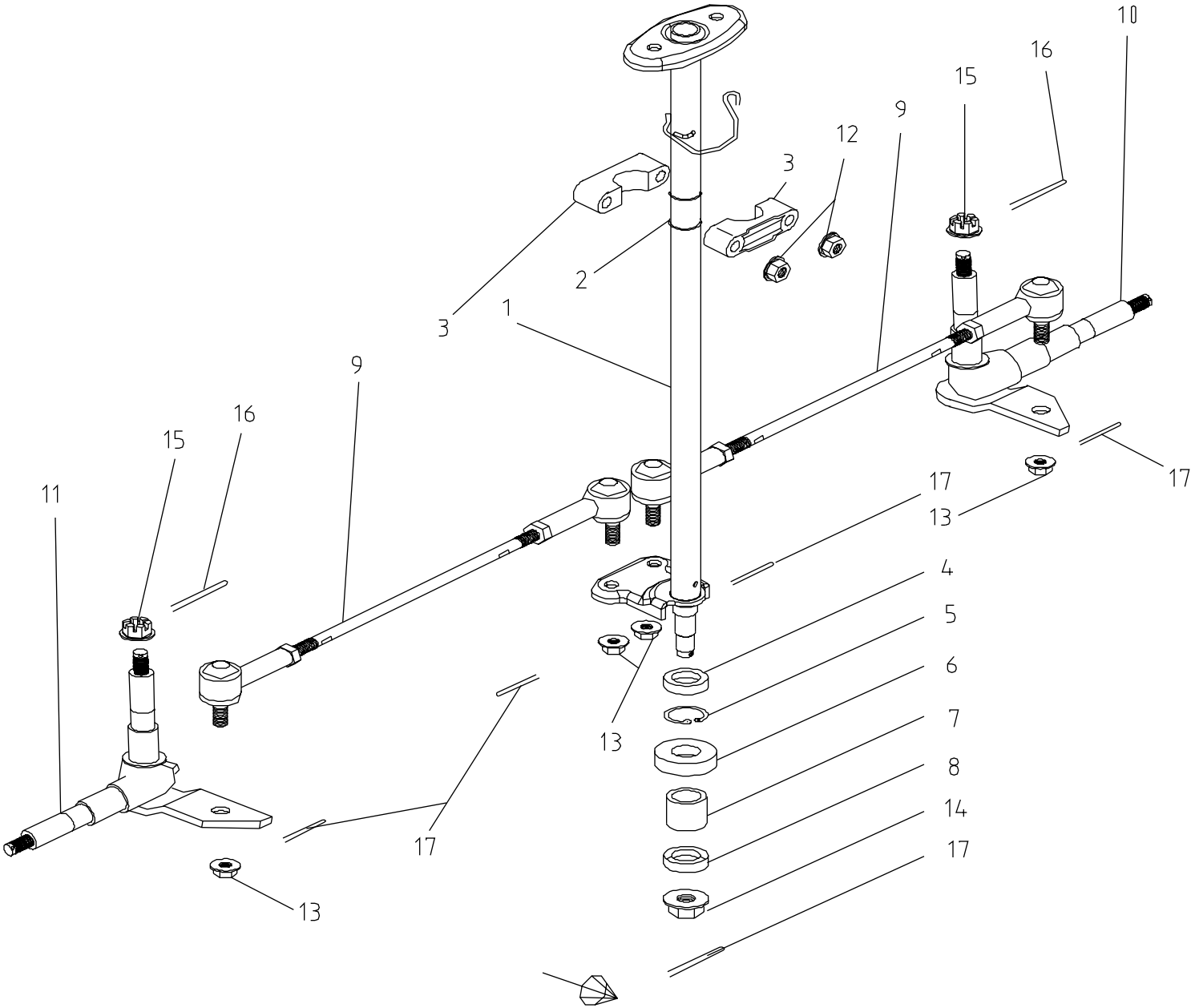
F08 STEERING

REF #	PART #	DESCRIPTION	QTY	2003	2004	2005
8-2	53217-MAA-000	SLEEVE	1	1	1	
8-3	53434-MAA-000	HOLDER STEERING SHAFT	2	2	2	
8-4	50270-MAA-010BK	SEAL, OIL	1	1	1	
8-5	90601-MAA-000	C CLIP	1	1	1	
8-6	96100-600ZZ	BEARING	1	1	1	
8-7	22112-MAA-000	COLLAR	1	1	1	
8-8	92102-MAA-000	SEAL, OIL	1	1	1	
8-9	53180-MAA-000	STEERING TIE ROD ASS'Y	2	2	2	
8-10	51215-MAA-000	KNUCKLE/L	1	1	1	
8-11	51210-MAA-000	KNUCKLE/R	1	1	1	
8-12	90350-08000	LOCK NUT	2	2	2	
8-13	90350-10000	LOCK NUT	3	3	3	
8-14	90350-14000	LOCK NUT	1	1	1	
8-15	90352-10000	NUT, CASTELLATED	1	1	1	
8-16	94201-17020	COTTER PIN	2			2
8-17	94201-25030	COTTER PIN	1			1
8-18	94201-30032	COTTER PIN	4			4



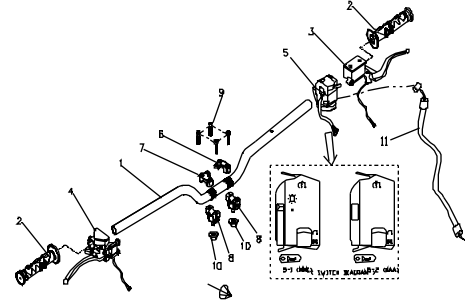
Enlarged figure
next page

F08 STEERING



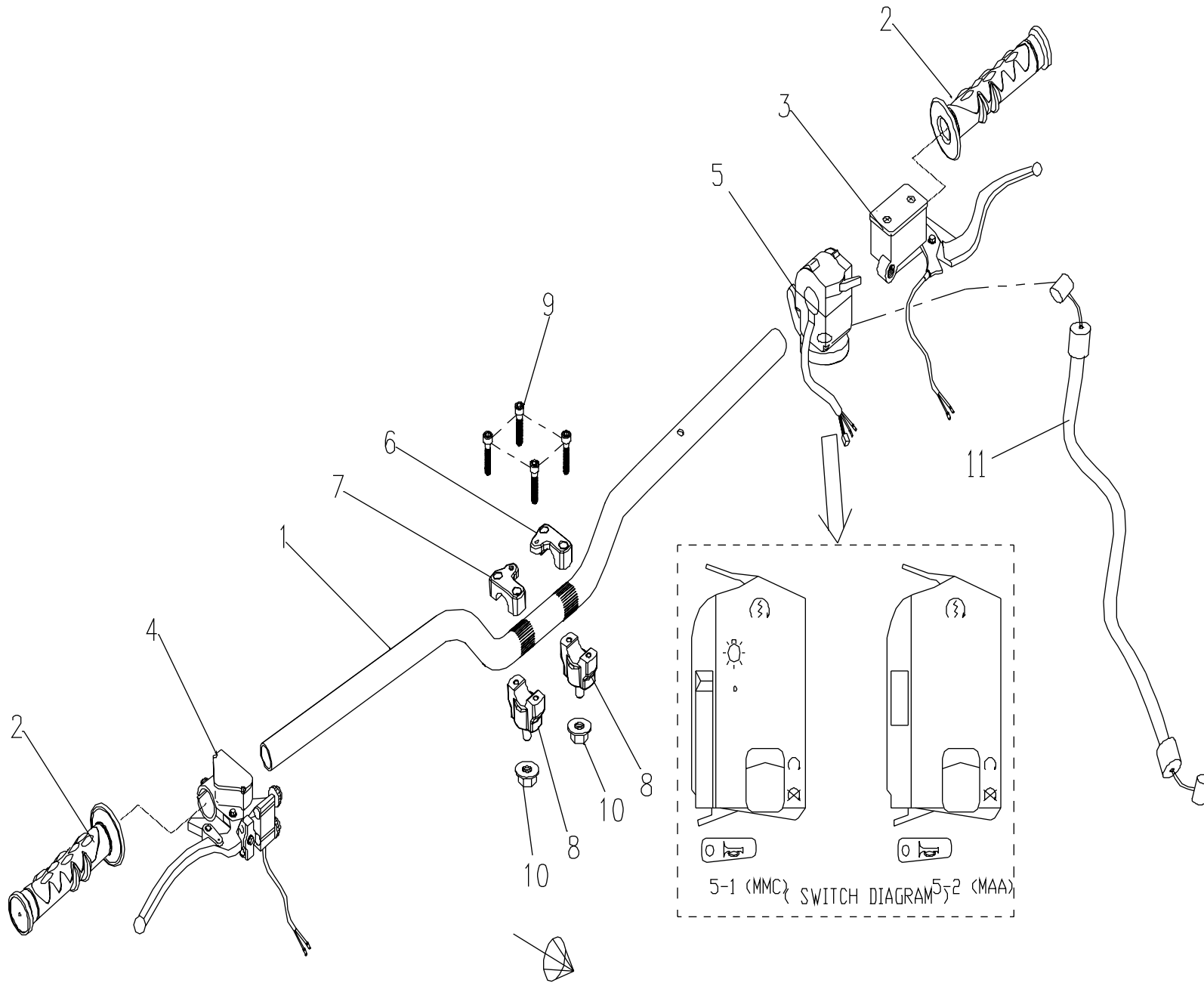
F09 HANDLE COMP

REF #	PART #	DESCRIPTION	QTY	2003	2004	2005
1	53100-MAA-010BK	HANDLE COMP.	1	1	1	1
2	53140-MAA-000RD	GRIP (RED)	2	2	2	2
	53140-MAA-000BL	GRIP (BLUE)	1	1	1	1
3	50321-MEC-020BK	LEVER ASS'Y LEFT (DRUM)	1	1	1	1
4	53179-MAA-000BK	LEVER ASS'Y RIGHT (DRUM)	1	1	1	1
	53179-MAC-000BK	LEVER ASS'Y RIGHT (LOCK DISC)	1	1	1	1
5	35160-MMC-020BK	SW.ASS'Y, LEFT HANDLE	1	1	1	1
6	53170-MAA-000	HANDLE HOLDER COVER (L / LIPPER)	1	1	1	1
7	53175-MAA-000	HANDLE HOLDER COVER (R / LIPPER)	1	1	1	1
8	45517-MAA-000	HANDLE HOLDER ASS'Y (LOWER)	2	2	2	2
9	91000-06025	BOLT, HEX	4	4	4	4
10	90350-10000-G	LOCK NUT	2			2
11	43316-MAA-000	CHOCK CABLE ASS'Y	1			1



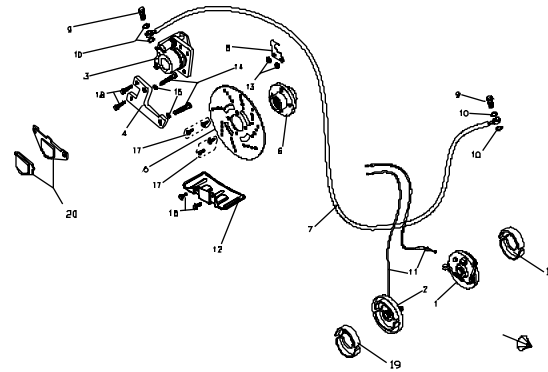
Enlarged figure
next page

F09 HANDLE COMP



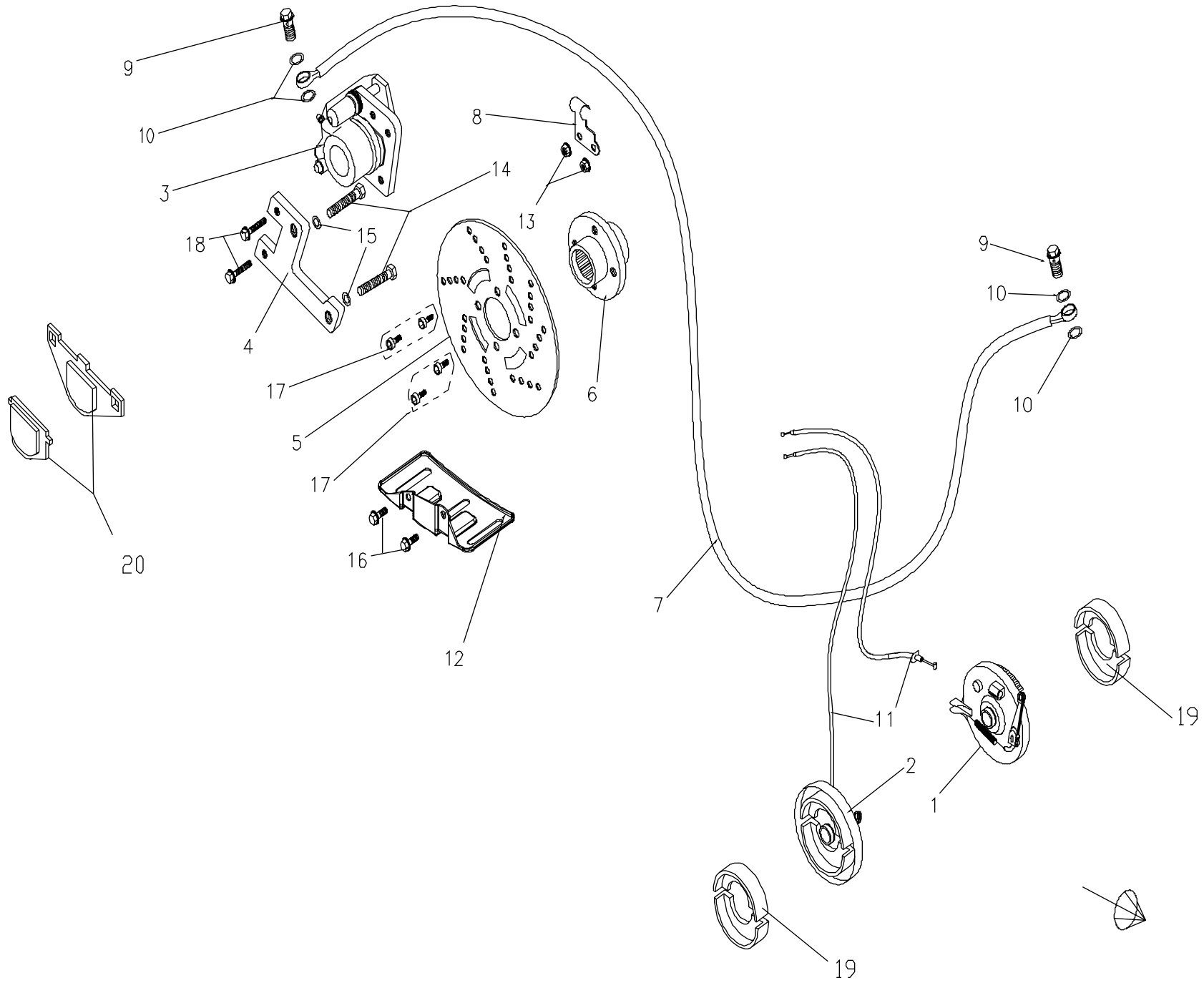
F10 BRAKE

REF #	PART #	DESCRIPTION	QTY	2003	2004	2005
10-1	45101-MAA-000	FR/L BRAKE SHOE COMP./SINGLE HOLE	1	1	1	1
10-2	45102-MAA-000	FR/R BRAKE SHOE COMP./SINGLE HOLE	1	1	1	1
10-3	45200-MAC-000	RR.CALIPER ASS'Y	1	1	1	1
10-4	50295-MAC-000	RR.CALIPER BRKT ASS'Y	1	1	1	1
10-5	45121-MAC-000	RR. BRAKE DISK	1	1	1	1
10-6	45122-MAC-000	RR. DISK BRKT	1	1	1	1
10-7	46961-MAC-010	BRAKE FLUID HOSE ASS'Y	1	1	1	1
10-8	46965-MAC-000	BRAKE FLUID HOSE BRKT	1	1	1	1
10-9	46963-MAC-000	BRAKE FLUID HOSE BOLT	2	2	2	2
10-10	46964-MAC-000	BRAKE FLUID HOSE WASHER	4	4	4	4
10-11	45450-MAA-010	FR. BRAKE CABLE ASS'Y	2			2
10-12	50230-MAA-000BK	REAR BRAKE COVER	1	1	1	1
10-13	90350-08000	LOCK NUT	2	2	2	2
10-14	92000-12050	BOLT	2	2	2	2
10-15	94111-12000	SPRING WASHER	2			2
10-16	96000-08012	FLANGE BOLT	2	2	2	2
10-17	91000-06012	HEXAGON BOLT	4	4	4	4
10-18	96000-08025	FLANGE BOLT	2	2	2	2
10-19	45120-MAA-000	FR.BRAKE SHOE COMP	2			2
10-20	43022-MAC-000	RR.PAD ASS'Y	2			2



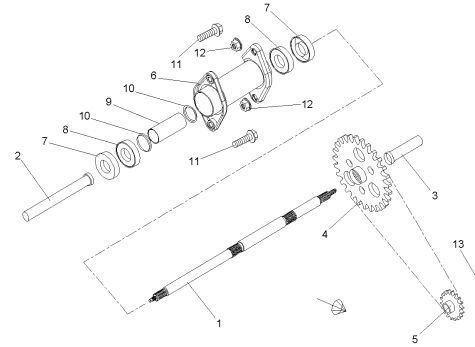
Enlarged figure
next page

F10 BRAKE



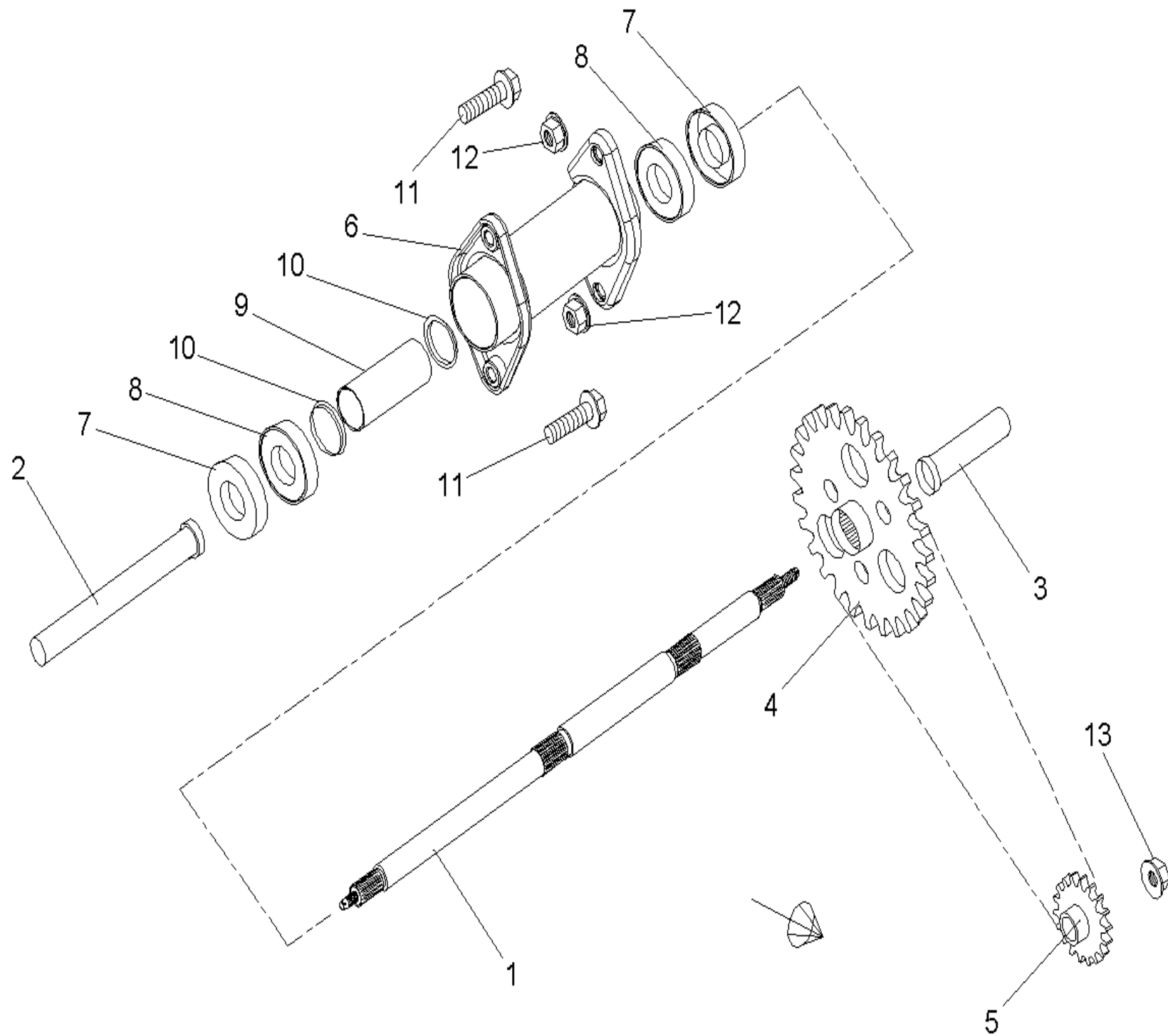
F11 REAR WHEEL AXLE

REF #	PART #	DESCRIPTION	QTY	2003	2004	2005
11-1	23511-MAA-000	REAR WHEEL AXLE	1	1	1	1
11-2	44150-MAA-000BK	SPACE PIPE 1	1	1	1	1
11-3	50321-MEC-020BK	SPACE PIPE 2	1			1
11-4	15233-MAA-010	SPROCKET/RR.-MAA	1	1	1	1
11-5	15234-MAA-010	SPROCKET/FR.	1	1	1	1
11-6	52350-MAA-010BK	RR. WHEEL AXLE SEAT ASSY	1	1	1	1
11-7	91203-MAA-000	OIL SEAL	2	2	2	2
11-8	96100-6006ZZ	BALL BEARING	2	2	2	2
11-9	44620-MAA-000	SPACE TUBE	1	1	1	1
11-10	51312-MAA-000	SPACER	2	2	2	2
11-11	96000-12028	FLANGE BOLT	2	2	2	2
11-12	90350-12000	LOCK NUT	2	2	2	2
11-13	90350-14000	LOCK NUT	1	1	1	1



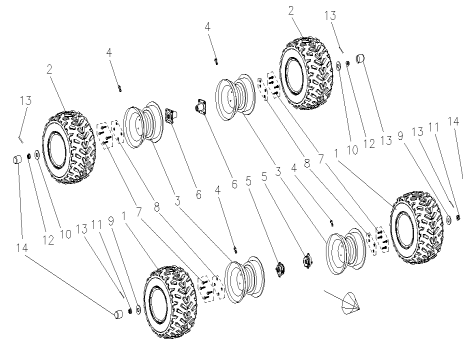
Enlarged figure
next page

F11 REAR WHEEL AXLE



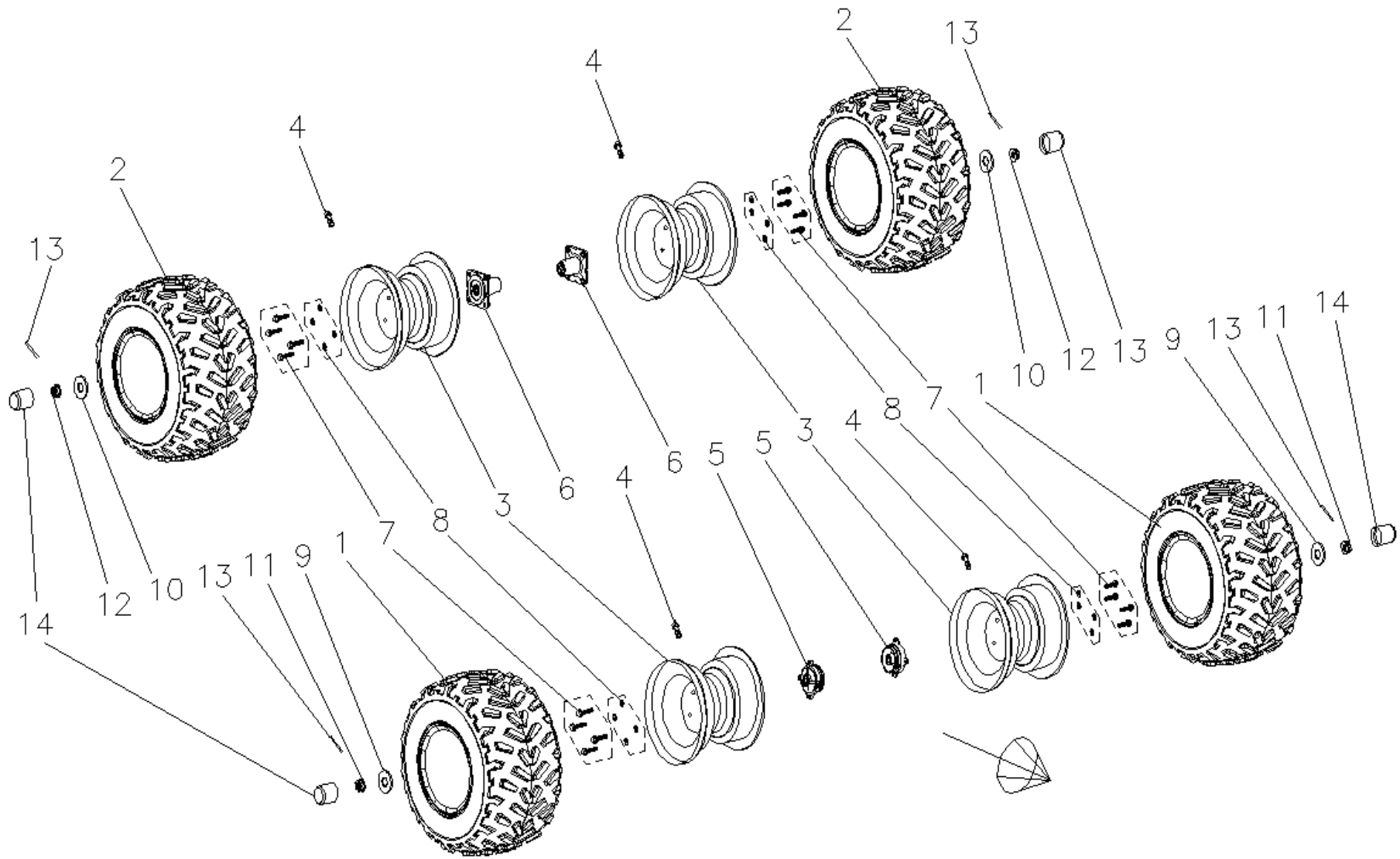
F12 WHEEL

REF #	PART #	DESCRIPTION	QTY	2003	2004	2005
12-1	42711-MAB-000	TIRE	2	2	2	2
12-2	42712-MAB-000	TIRE	2	2	2	2
12-3	50321-MEC-020BK	FR. RIM (SILVER)	2	2	2	2
	42707-CAB-000SL	RR. RIM(SILVER)	2	2	2	2
	42706-MAA-000RD	FR. RIM (RED)	2	2	2	2
	42707-MAB-000RD	RR. RIM(RED)	2	2	2	2
	42706-MAA-000BL	FR. RIM (BLUE)	2	2	2	2
	42707-MAB-000BL	RR. RIM(BLUE)	2	2	2	2
12-4	42751-MAA-000	VALVE RIM	4			4
12-5	44610-MAA-000	FR. HUB ASS'Y	2	2	2	2
12-6	44630-MAA-000	RR WHEEL AXLE FIXED BRKT ASS'Y	2	2	2	2
12-7	92000-10020	BOLT	16	4	4	16
12-8	94111-10000	SPRING WASHER	16	8	8	16
12-9	90501-1240046	WASHER	2	2	2	2
12-10	90501-1440046	WASHER	2	2	2	2
12-11	94051-12000	INSERT LOCK NUT	2	2	2	2
12-12	94052-14000	INSERT LOCK NUT	2	2	2	2
12-13	94201-30032	COTTER PIN	4	2	2	4
12-14	53456-MAA-000	RUBBER CAP	4	2	2	4



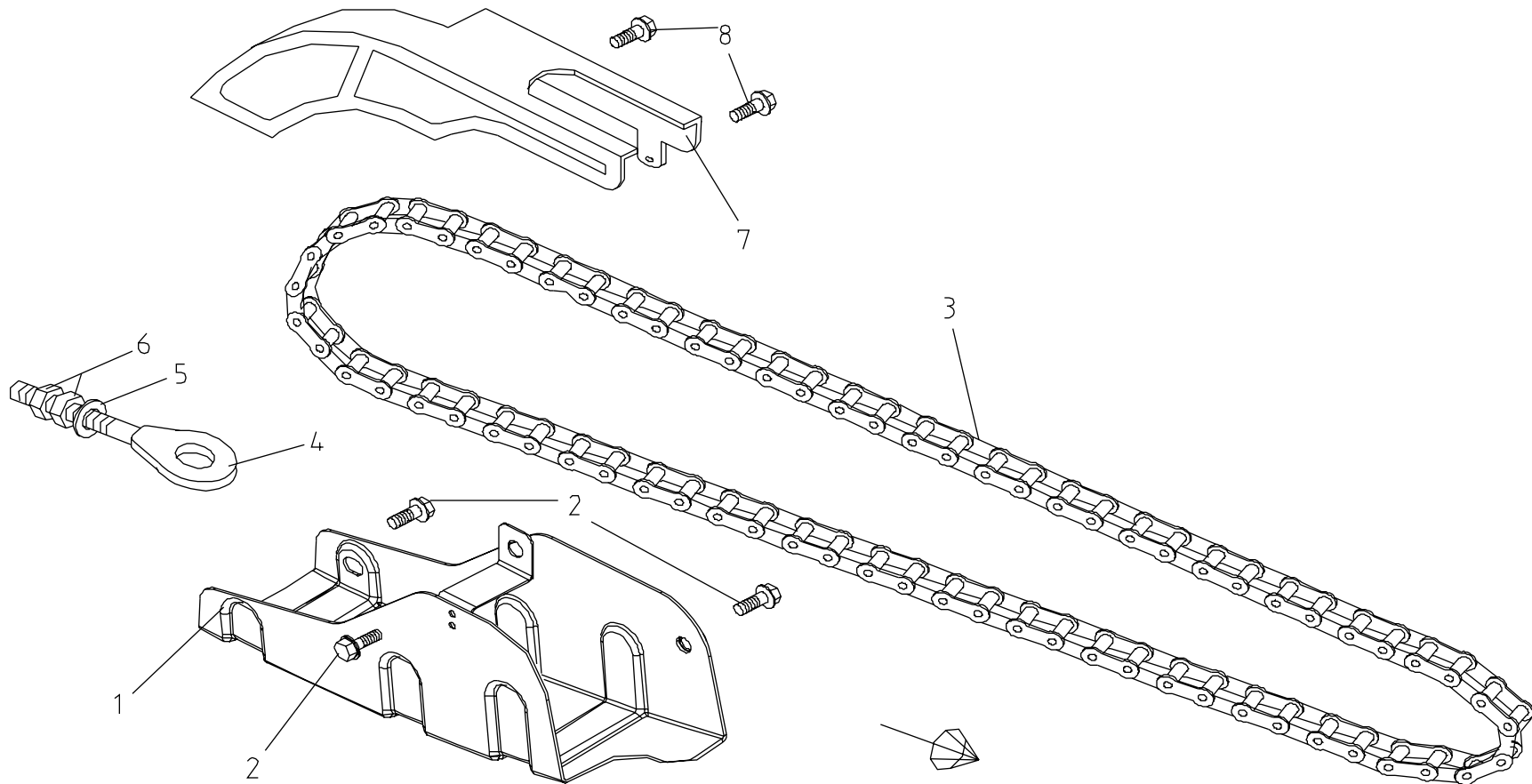
Enlarged figure
next page

F12 WHEEL



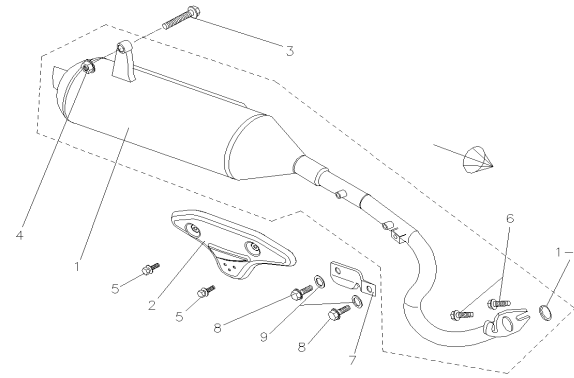
F13 CHAIN

REF #	PART #	DESCRIPTION	QTY	2003	2004	2005
13-1	50240-MAA-020BK	LOWER CHAIN COVER ASS'Y	1	1	1	1
13-2	96000-08012	FLANGE BOLT	3	3	3	3
13-3	14428-CAB-000	CHAIN	1			1
13-4	50205-MAA-000	CHAIN ADJUSTER ASS'Y	1	1	1	1
13-5	94101-0613010	WASHER	1	1	1	1
13-6	94001-06000	NUT	2	2	2	2
13-7	50245-MAC-000BK	UPPER CHAIN COVER ASS'Y	1	1	1	1
13-8	96000-08016	FLANGE BOLT	2	2	2	2



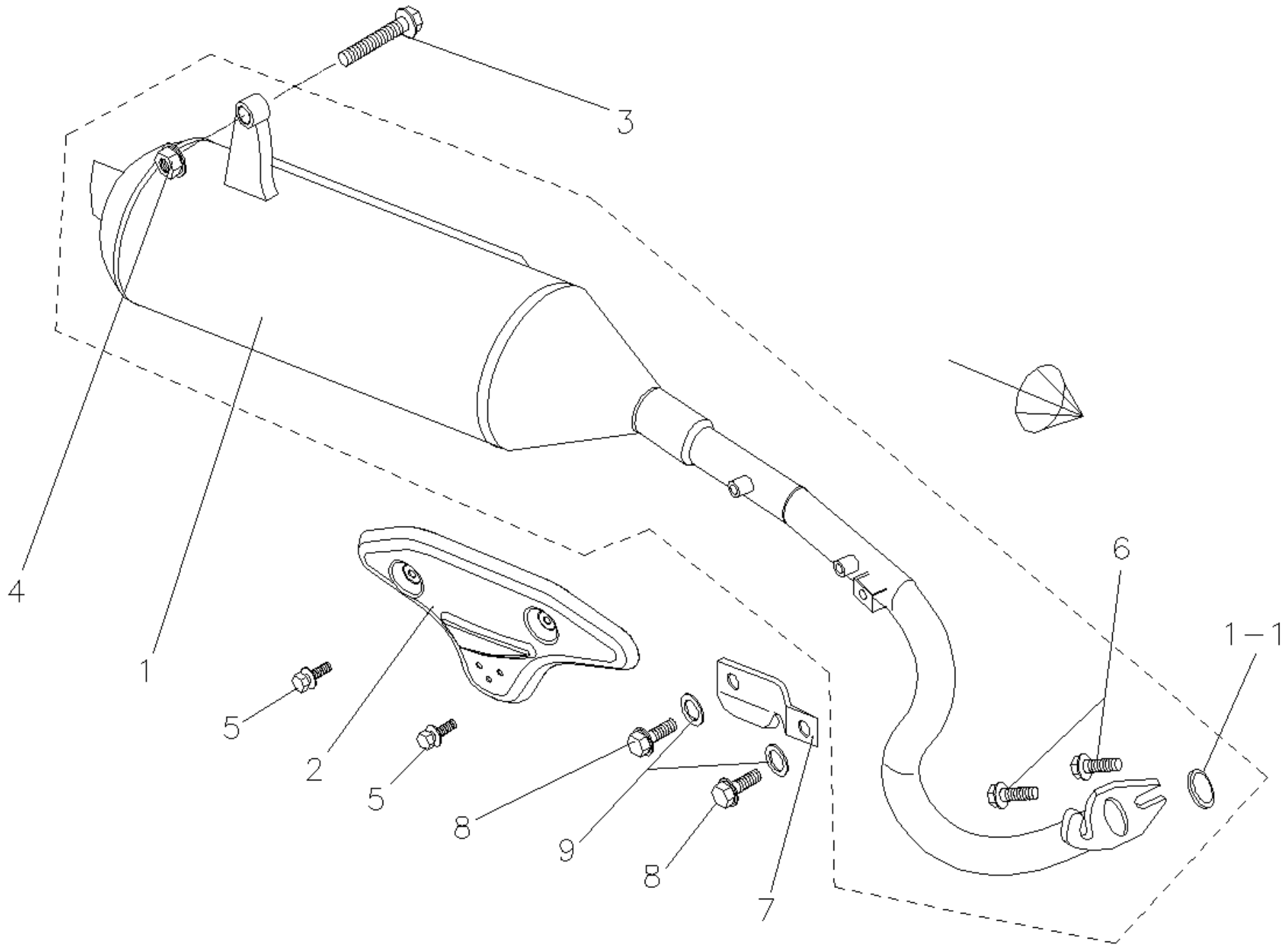
F14 EXHAUST PIPE

REF #	PART #	DESCRIPTION	QTY	2003	2004	2005
14-1	18301-MAA-000	EXHAUST PIPE ASSY	1	1	1	1
14-1-1	18291-MAA-000	EX. PIPE GASKET	1			1
14-2	50220-MAA-000BK	MUFFLER COVER	1	1	1	1
14-3	96000-08030	FLANGE BOLT	1	1	1	1
14-4	90350-08000	LOCK NUT	1	1	1	1
14-5	55490-PA851	SPRING WASHER BOLT	2			2
14-6	96000-06018	FLANGE BOLT	2	2	2	2
14-7	50225-MAC-000	MUFFLER BRKT	1			1
14-8	96000-08014	FLANGE BOLT	1			1
14-9	94111-08000	SPRING WASHER	2			2
14-10	96000-06010	FLANGE BOLT	1			1



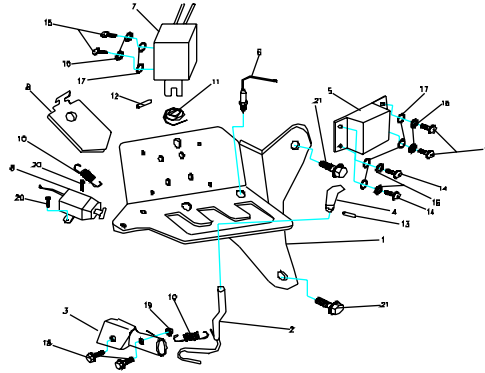
Enlarged figure
next page

F14 EXHAUST PIPE



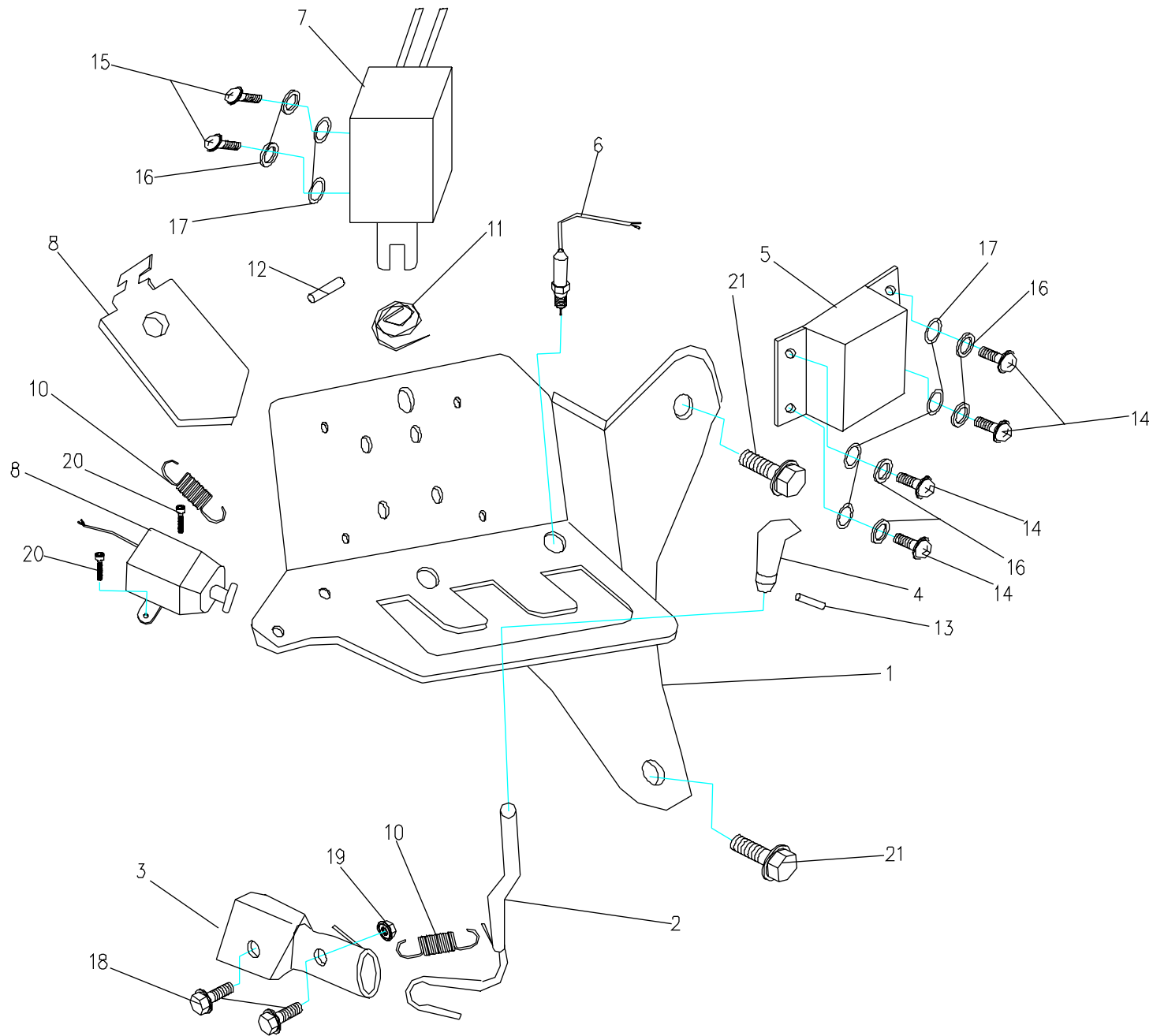
F15 REVERSE GEAR SHIFT

REF #	PART #	DESCRIPTION	QTY	2005
15-1	72100-MAA-000	WELDING DRAW	1	1
15-2	72317-MEC-01II	GEAR LEVER	1	1
15-3	72315-MEC-010-1	FR. OUT PATCH	1	1
15-4	72201-MEC-010	SHIFT CONTRAL KNOB	1	1
15-5	72100-MAA-000-5	BOX BRKT	1	1
15-6	36210-MEC-000	BRAKE SWITCH	1	1
15-7	72352-MAA-000	ELECTROMAGNET	1	1
15-8	72100-MAA-000-2	SAFETY LEAD	1	1
15-9	35150-MEC-000	REVERSE GEAR SAFTY SWITCH ASS'Y	1	1
15-10	72100-MAA-000-4	RESTORE SPRING	2	2
15-11	72100-MAA-010-6	RESTORE SPRING	1	1
15-12	90600-03000	LOCK PIN	1	1
15-13	90600-03075	LOCK PIN	1	1
15-14	93500-03008	HEXAGON BOLT	4	4
15-15	93500-04006	BOLT	2	2
15-16	94101-030610	SHIFT SEPARATE PLATE	6	6
15-17	94111-03000	SPRING WASHER	6	6
15-18	96000-06020	FLANGE BOLT	2	2
15-19	90350-06000	LOCK NUT	1	1
15-20	91000-05018	FLANGE BOLT	2	2
15-21	96000-08014	FLANGE BOLT	3	3



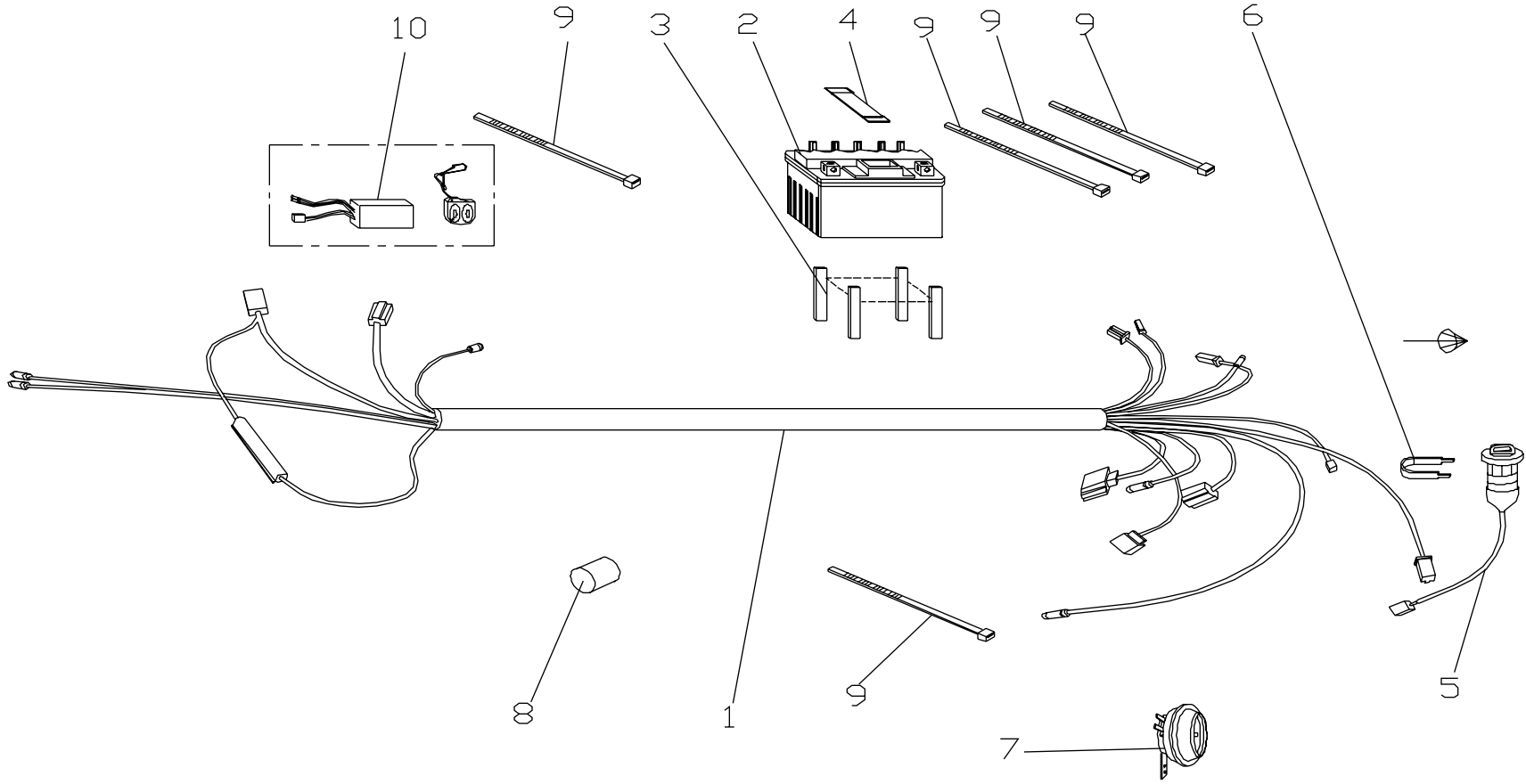
Enlarged figure
next page

F15 REVERSE GEAR SHIFT



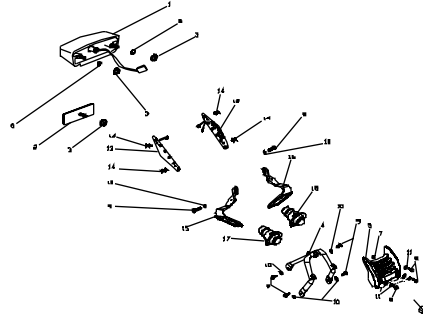
F16 WIRE HARNESS

REF #	PART #	DESCRIPTION	QTY	2003	2004	2005
16-1	31500-MAA-000	BATTERY ASS'Y	1	1	1	1
16-2	81146-MAA-000	CUSHION RUBBER	4	5	5	4
16-5	35100-MAA-000	KEY SWITCH ASS'Y	1	1	1	1
16-6	75582-MAA-010	KEY SET SPG. LOCK	1	1	1	1
16-7	38110-MAA-000	HORN ASS'Y	1	1	1	1
16-8	52255-MAA-000	KICK STARTER SPINDLE CAP	1	1	1	1
16-9	81147-MAA-000	BAND	5	5	5	5
16-10	35120-MAA-000	REMOTE CONTROL ASS'Y	1			1



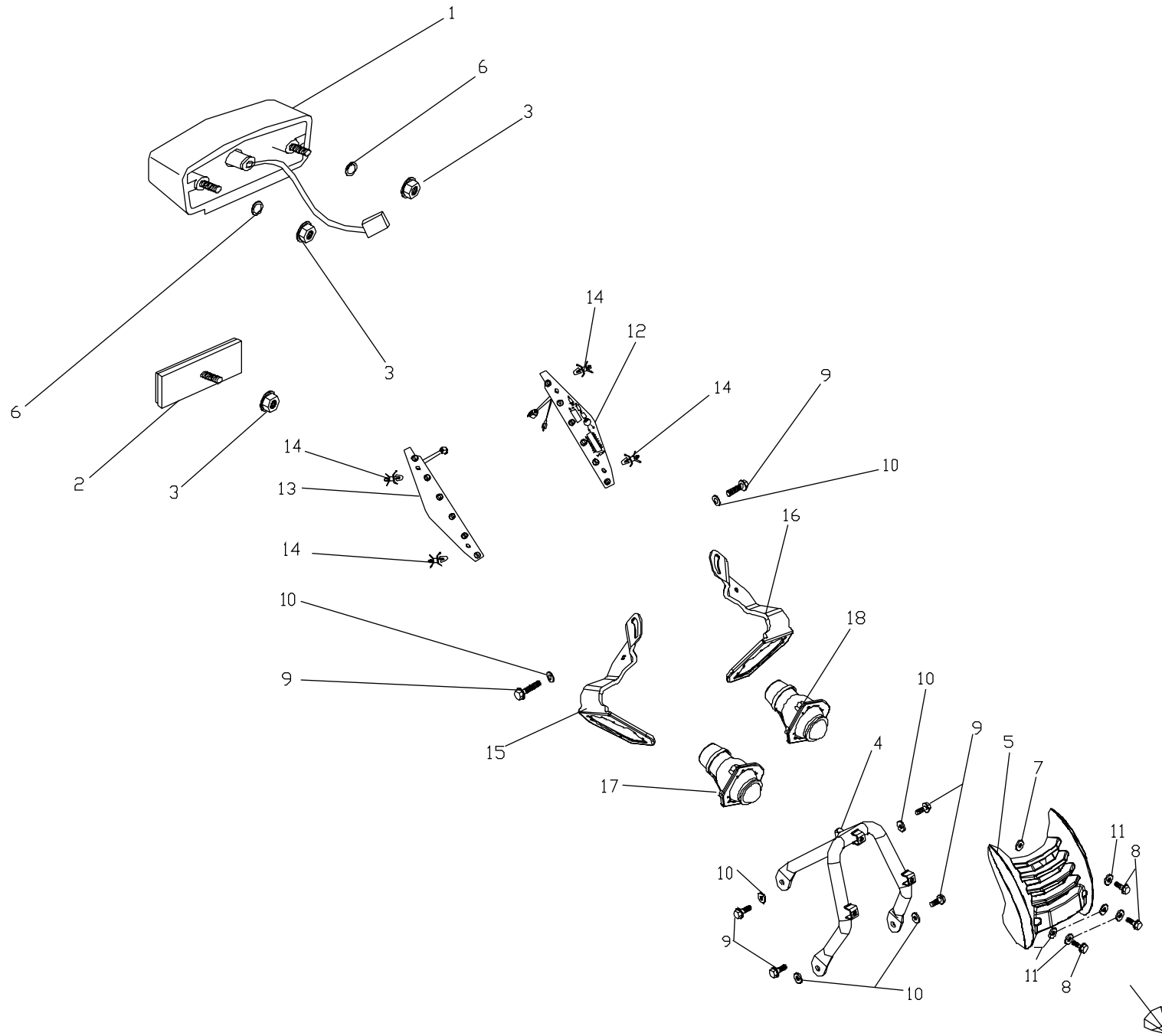
F17 LIGHTS

REF #	PART #	DESCRIPTION	QTY	2005
17-1	33700-MAA-000	TAIL LIGHT ASS'Y	1	1
17-2	64501-MAA-000	REFLEX PLATE	1	1
17-3	90350-06000	LOCK NUT	3	3
17-4	50270-MAA-010BK	BUMPER STAY	1	1
17-5	64302-MAA-010RD	BUMPER(REDF)	0	0
	64302-MAA-010BL	BUMPER(BLUE)	1	1
17-6	17630-MAA-000	CUSHION RUBBER	2	2
17-7	17631-MAA-000	CUSHION RUBBER	3	3
17-8	96000-06012	FLANGE BOLT	3	3
17-9	96000-08014	FLANGE BOLT	6	6
17-10	94111-08000	SPRING WASHER	6	6
17-11	94101-0613010	WASHER	3	3
17-12	64404-MAA-010	LED/L	1	1
17-13	64403-MAA-010	LED/R	1	1
17-14	81148-MAA-000	SPACE	4	4
17-15	50310-MEA-01II	ROUND LIGHT BRKT /R	1	1
17-16	50311-MEA-01II	ROUND LIGHT BRKT /L	1	1
17-17	33612-MEC-00II	ROUND LIGHT LOW BEAM ASS'Y	1	1
17-18	33613-MEC-00II	ROUND LIGHT HIGHT BEAM ASS'Y	1	1



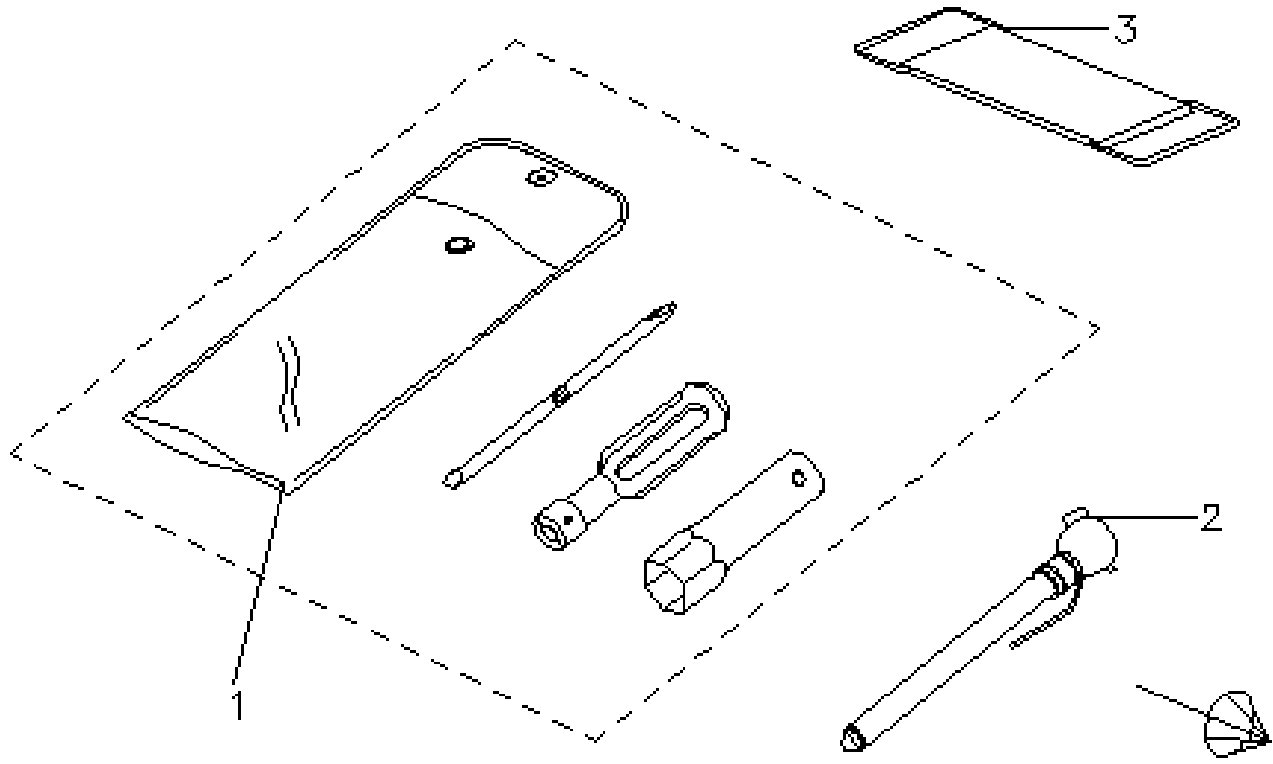
Enlarged figure
next page

F17 LIGHTS



F18 TOOLS

REF #	PART #	DESCRIPTION	QTY	2003	2004	2005
1	89010-MAA-000	TOOL SET	1	1	1	1
2	89023-MAA-000	PRESSURE GAUGE	1	1	1	1



F19 COVER STRIPES/LABELS

REF #	PART #	DESCRIPTION	QTY	2003	2004	2005
18-1	87501-MAB-00A	DECAL SET 90c.c.(UM)	1	1	1	1
18-2	81218-MAB-000	AGE WARNING LABEL(PROHIBIT 12 YEARS OLD)	1	1	1	1
18-3	87511-MAA-000	RIDE WARNING LABEL	1	1	1	1
18-4	87505-MAA-000	TIRE PRESSURE LABEL	1	1	1	1

