



PARTS CATALOGUE
POWERMAX-125T-7
2005



REVISED 08/06/04

INDEX

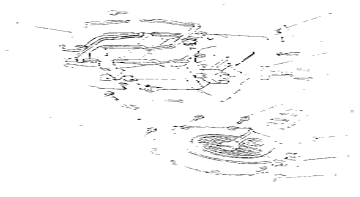
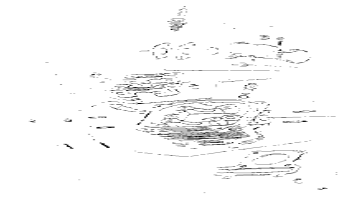
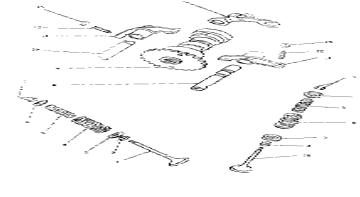
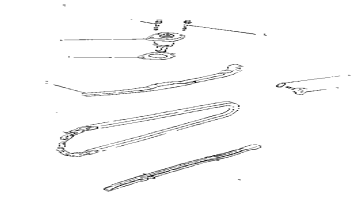
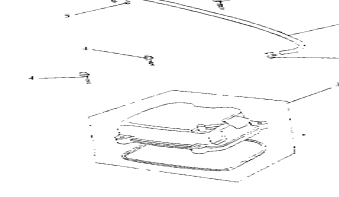
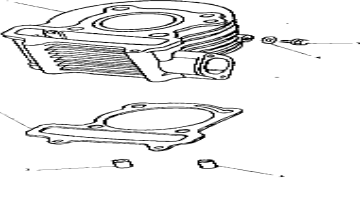
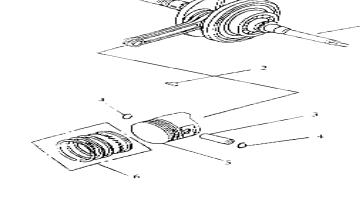
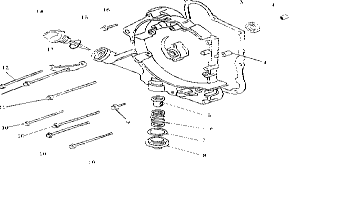
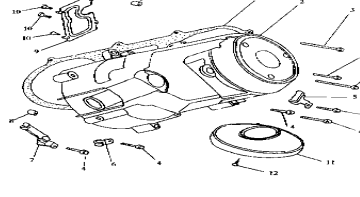
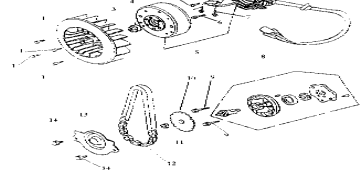
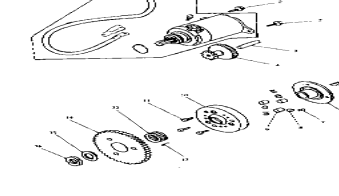
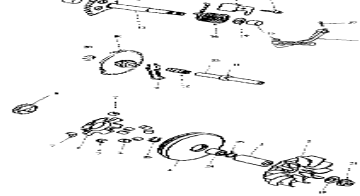
ENGINE

SECTION	FIG #
FAN COVER/SHROUD	E01
CYLINDER HEAD	E02
CAMSHAFT VALVE	E03
CAM CHAIN TENSIONER	E04
CYLINDER HEAD COVER	E05
CYLINDER	E06
CRANKSHAFT PISTON	E07
RIGHT CRANKCASE COVER	E08
LEFT CRANKCASE COVER	E09
GENERATOR, OIL PUMP	E10
STARTING MOTOR, CLUTCH	E11
DRIVER, STARTER	E12
BOLT, DRIVEN PULLEY	E13
REAR DRIVE SET	E14
CRANKCASE	E15
CARBURETOR	E16

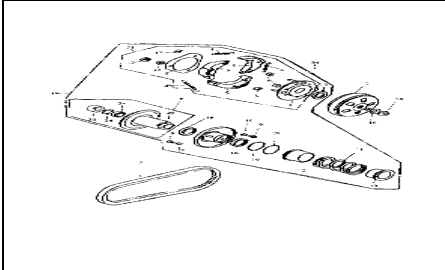
FRAME

SECTION	FIG #
SIDE COVER	F01
R. & L. S/W ASSY	F02
STAND	F03
WINKER (TURNING SIGNAL LAMP)	F04
FRONT BOX	F05
CENTRAL COVER	F06
STAND-BY OIL CYLINDER, FRONT BRAK	F07
FUEL TANK	F08
METER ASSY	F09
BATTERY	F10
CUSHION	F11
EX.MUFFLER	F12
L. & R. REAR PROTECTING BAR	F13
TAIL LIGHT	F14
MIRROR COMP	F15
HEAD LIGHT	F16
FRONT WHEEL	F17
COVER FR	F18
L. & R. FRONT PROTECTING BAR	F19
AIR CLEANER	F20
FOOTREST	F21
REAR WHEEL	F22
REAR SHOCK ABSORBER	F23
REAR FENDER (I)	F24
REAR FENDER (II)	F25
STEERING STEM AND FR. SHOCK ABSO	F26
STEERING HANDLE	F27
FENDER FOR FRAME	F28
WIRE HARNESS	F29
FRAME	F30
TOOLS	F31
GRAPHICS	F32

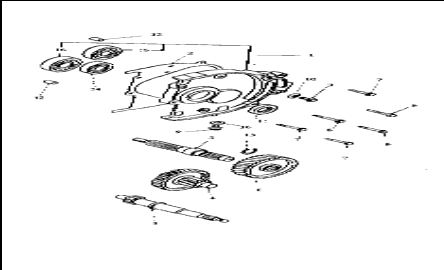
CONTENTS ENGINE GROUP

E01 FAN COVER SHROUD	E02 CYLINDER HEAD	E03 CAMSHAFT VALVE
		
E04 CAMCHAIN TENSIONER	E05 CYLINDER HEAD COVER	E06 CYLINDER
		
E07 CRANKSHAFT, PISTON	E08 RIGHT CRANKCASE COVER	E09 LEFT CRANKCASE COVER
		
E10 GENERATOR, OIL PUMP	E11 STARTING MOTOR, CLUTCH	E12 DRIVER, STARTER
		

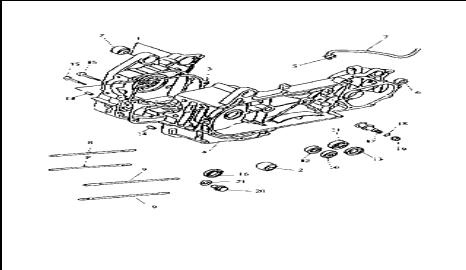
E13 BELT, DRIVEN PULLEY



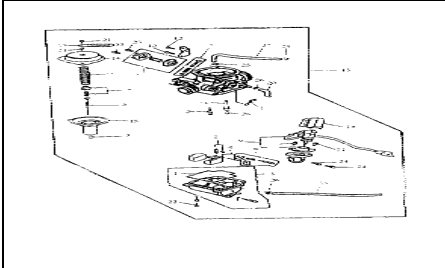
E14 REAR DRIVE SET



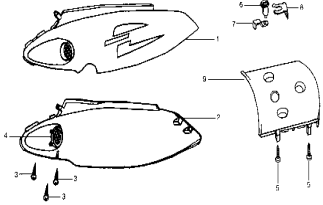
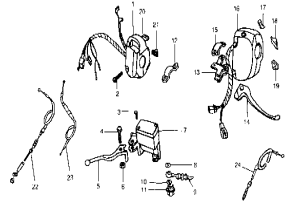
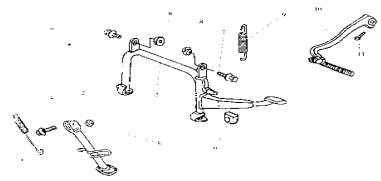
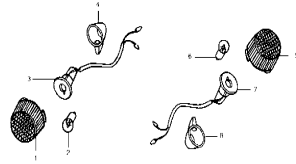
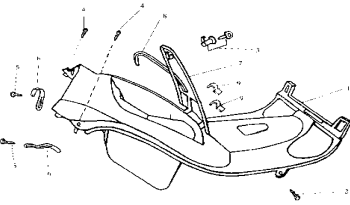
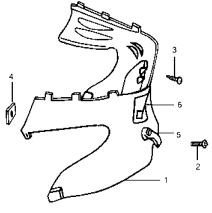
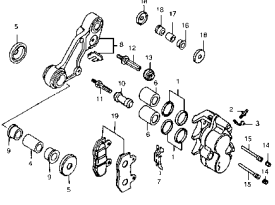
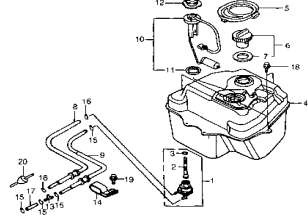
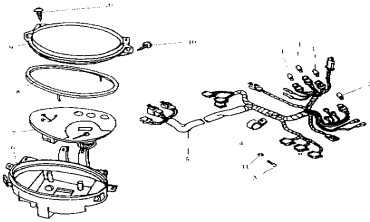
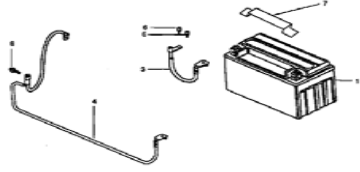
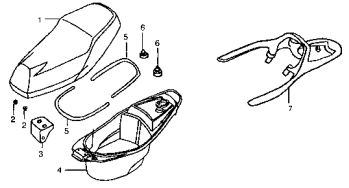
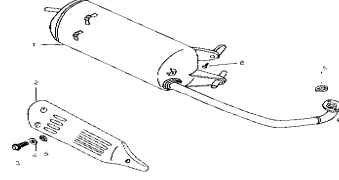
E15 CRANKCASE

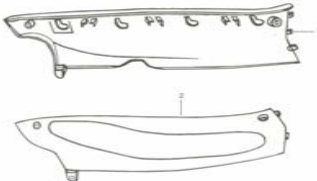
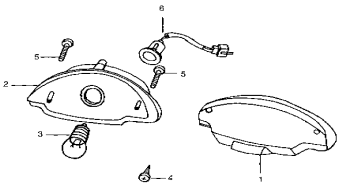
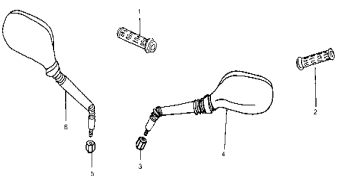
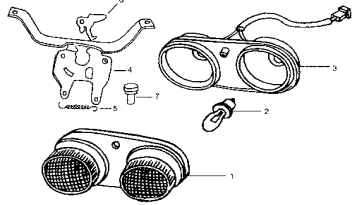
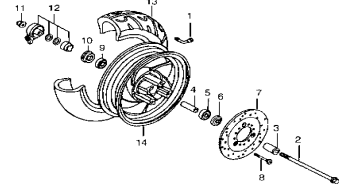

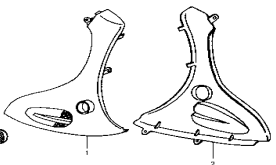
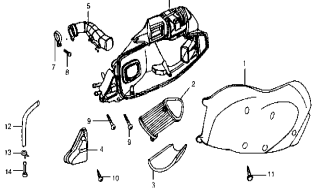
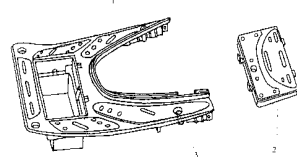
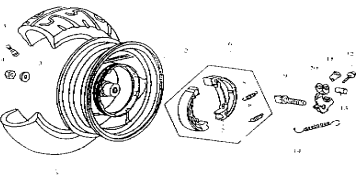
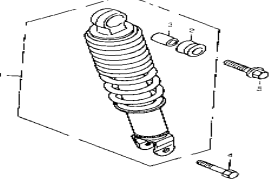
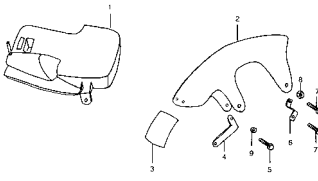


E16 CARBURETOR



CONTENTS FRAME GROUP

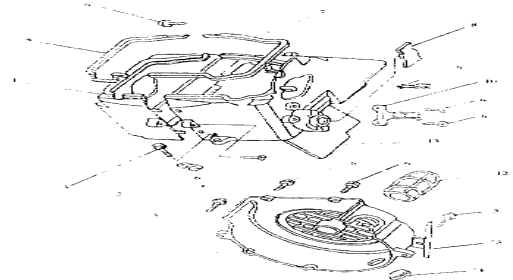
<p>F01 SIDE COVER</p> 	<p>F02 R. & L. S/W ASSY</p> 	<p>F03 STAND</p> 
<p>F04 WINKER (TURNING SIGNAL LAMP)</p> 	<p>F05 FRONT BOX</p> 	<p>F06 CENTRAL COVER</p> 
<p>F07 STAND-BY OIL CYLINDER, FRONT BRAKE</p> 	<p>F08 FUEL TANK</p> 	<p>F09 METER ASSY</p> 
<p>F10 BATTERY</p> 	<p>F11 CUSHION</p> 	<p>F12 EX. MUFFLER</p> 

F13 L. & R. REAR PROTECTING BAR	F14 TAIL LIGHT	F15 MIRROR COMP
		
F16 HEAD LIGHT	F17 FRONT WHEEL	F18 COVER FR.
		
F19 L. & R. FRONT PROTECTING BAR	F20 AIR CLEANER	F21 FOOTREST
		
F22 REAR WHEEL	F23 REAR SHOCK ABSORBER	F24 REAR FENDER (I)
		

F25 REAR FENDER (II)	F26 STEERING STEM AND FR. SHOCK ABS	F27 STEERING HANDLE
F28 FENDER FOR FRAME	F29 WIRE HARNESS	F30 FRAME
F31 TOOLS	F32 GRAPHICS	

E01 FAN COVER/SHROUD

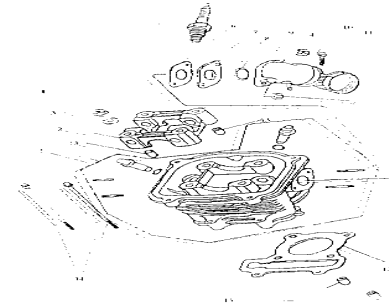
REF	PART NUMBER	DESCRIPTION	QTY	2004	2005
1-1	SGL01.01	COVER ASSY, BREATHER	1	1	1
1-2	SGL01.02	CLAMPER OIL DRAIN TUBE	1	1	1
1-3	SGL01.03	BOLT	3	3	3
1-4	SGL01.04	SHROUD, BELOW	1	1	1
1-5	SGL01.05	SEAL, BELOW	1	1	1
1-6	SGL01.06	SCREW TAPPING	6	6	6
1-7	SGL01.07	SEAL, TAPPING	1	1	1
1-8	SGL01.08	RUBBER GROMMET	1	1	1
1-9	SGL01.09	CLIP, HIGH TENSION CORD	1	1	1
1-10	SGL01.10	CLIP	1	1	1
1-11	SGL01.11	SHROUD ASSY, VP	1	1	1
1-12	SGL01.12	BREATHER TUBE	1	1	1
1-13	SGL01.13	CLAMPER, STARTER CABLE	1	1	1
1-14	SGL01.14	GROMMET, OBSIVE	1	1	1



Enlarged figure
Next page

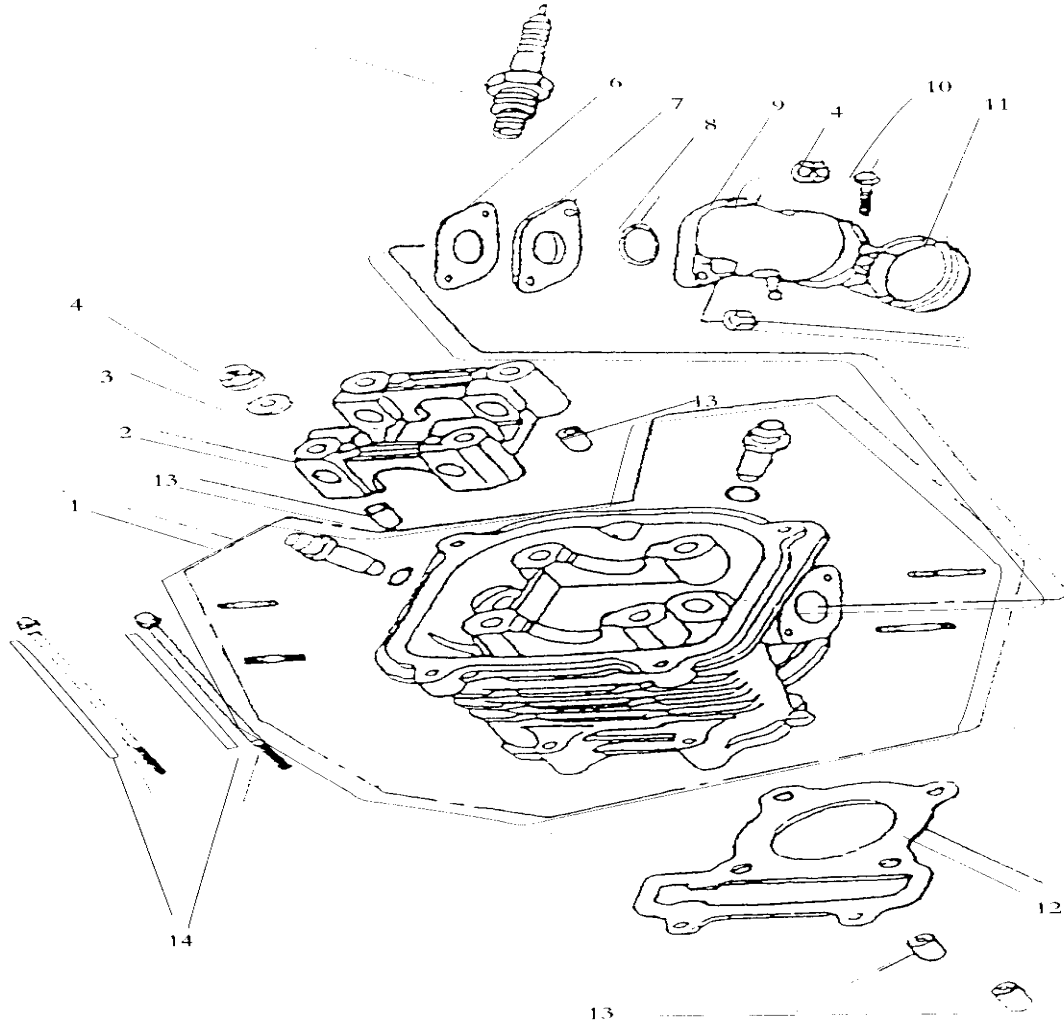
E02 CYLINDER HEAD

REF#	PART #	DESCRIPTION	QTY	2004	2005
2-1	SGI.02.01	CYLINDER HEAD ASSY	1	1	1
2-2	SGI.02.02	HOLDER CAMSHAFT	1	1	1
2-3	SGI.02.03	WASHER CYLINDER HEAD	4	4	4
2-4	SGI.02.04	NUT, CYLINDER HEAD	6	6	6
2-5	SGI.02.05	PLUG, SPARK	1	1	1
2-6	SGI.02.06	GASKET CARBURETOR	1	1	1
2-7	SGI.02.07	INSULATOR CARBURETOR	1	1	1
2-8	SGI.02.08	O-RING	1	1	1
2-9	SGI.02.09	HOLDER ASSY, CARBURETOR	1	1	1
2-10	SGI.02.10	SCREW	1	1	1
2-11	SGI.02.11	BAND CARBURETOR	1	1	1
2-12	SGI.02.12	GASKET CYLINDER HEAD	1	1	1
2-13	SGI.02.13	PIN, DOWEL	1	1	1
2-14	SGI.02.14	BOLT	1	1	1



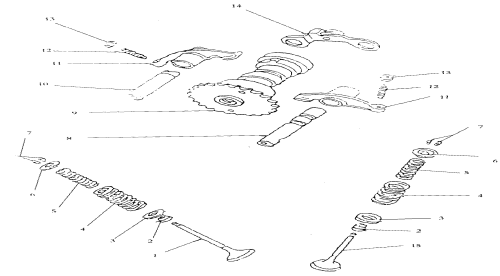
Enlarged figure
next page

E02 CYLINDER HEAD



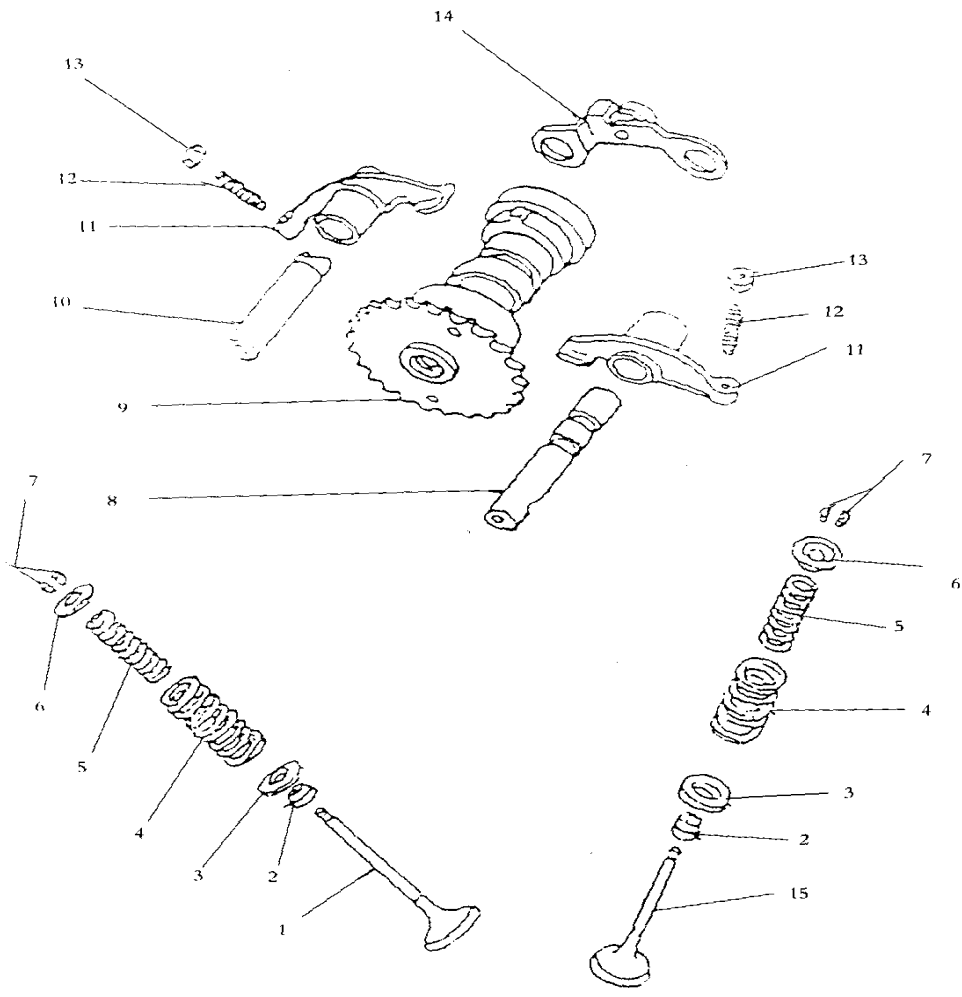
E03 CAMSHAFT VALVE

REF#	PART #	DESCRIPTION	QTY	2004	2005
3-1	SGI.03.01	VALVE, EX.	1	1	1
3-2	SGI.03.02	SEAL ASSY, VALVE	2	2	2
3-3	SGI.03.03	VALVE, SPRING, VP	2	2	2
3-4	SGI.03.04	SPRING, VALVE OUTER	2	2	2
3-5	SGI.03.05	SPRING, VALVE INNER	2	2	2
3-6	SGI.03.06	VALVE, SPRING BELOW	2	2	2
3-7	SGI.03.07	COTTER, VALVE	2	2	2
3-8	SGI.03.08	SHAFT, IN. ROCKER ARM	1	1	1
3-9	SGI.03.09	CAMSHAFT ASSY	1	1	1
3-10	SGI.03.10	SHAFT, EX., ROCKER ARM	1	1	1
3-11	SGI.03.11	ROCKER ARM	2	2	2
3-12	SGI.03.12	SCREW, TAPPET ADJUSTING	2	2	2
3-13	SGI.03.13	NUT, TAPPET ADJUSTING	2	2	2
3-14	SGI.03.14	STOPPER PLATE ASSY	1	1	1
3-15	SGI.03.15	VALVE, IN	1	1	1



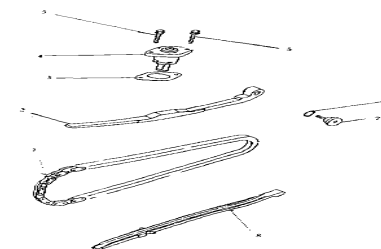
Enlarged figure
Next page

E03 CAMSHAFT VALVE



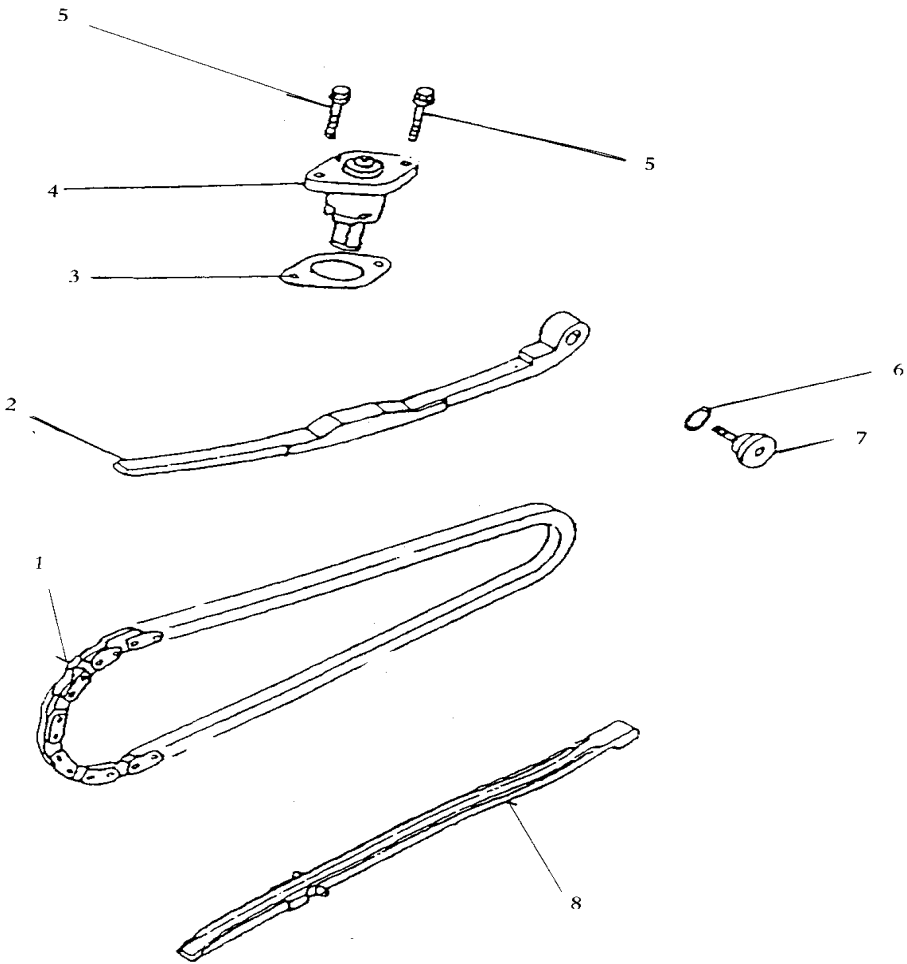
E04 CAM CHAIN TENSIONER

REF	PART NUMBER	DESCRIPTION	QTY	2004	2005
4-1	SGI.04.01	TIMING CHAIN	1	1	1
4-2	SGI.04.02	TENSIONER ASSY	1	1	1
4-3	SGI.04.03	GASKET, TENSIONER LIFTER	1	1	1
4-4	SGI.04.04	LOFTER ASSY, TENSIONER	1	1	1
4-5	SGI.04.05	BOLT	2	2	2
4-6	SGI.04.06	O-RING	1	1	1
4-7	SGI.04.07	SCREW	1	1	1
4-8	SGI.04.08	GUIDE ASSY	1	1	1



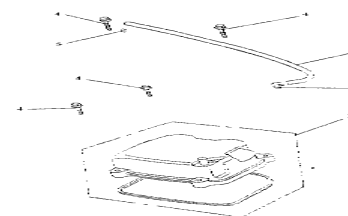
Enlarged figure
Next page

E04 CAM CHAIN TENSIONER



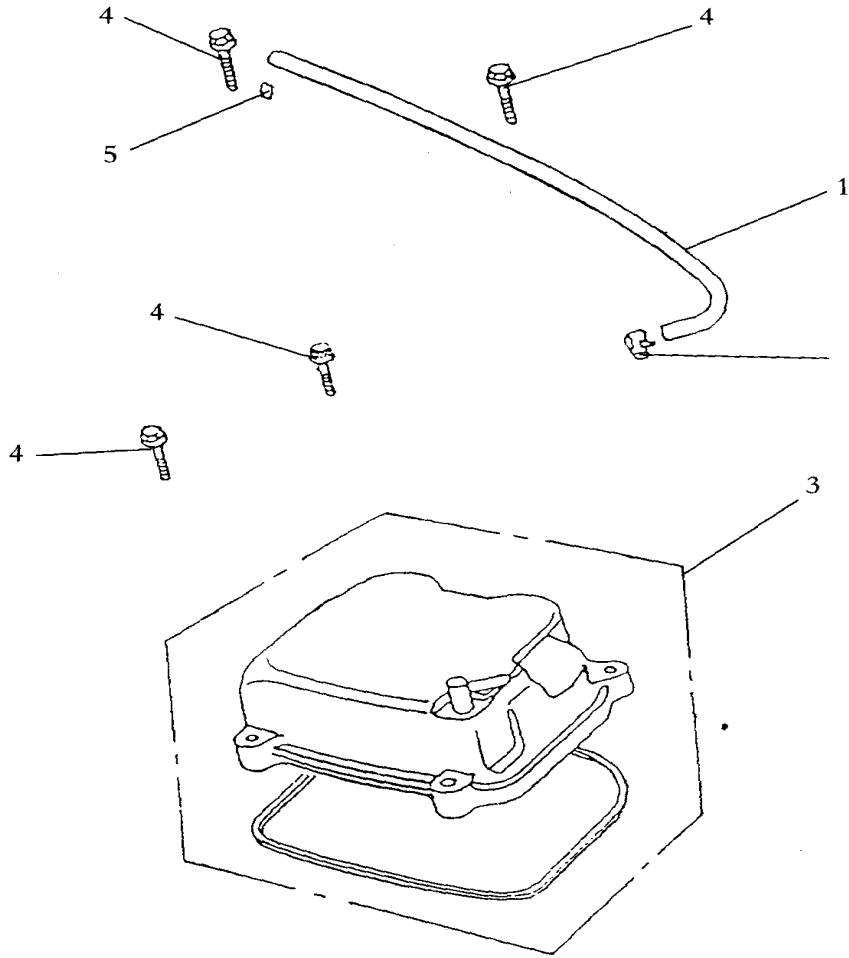
E05 CYLINDER HEAD COVER

REF	PART NUMBER	DESCRIPTION	QTY	2004	2005
5-1	SGI.05.01	BREATHE TUBE, CRANKCASE	1	1	1
5-2	SGI.05.02	LIP TUBE C8	1	1	1
5-3	SGI.05.03	COVER ASSY	1	1	1
5-4	SGI.05.04	BOLT	4	4	4
5-5	SGI.05.05	LIP TUBE (10)	1	1	1



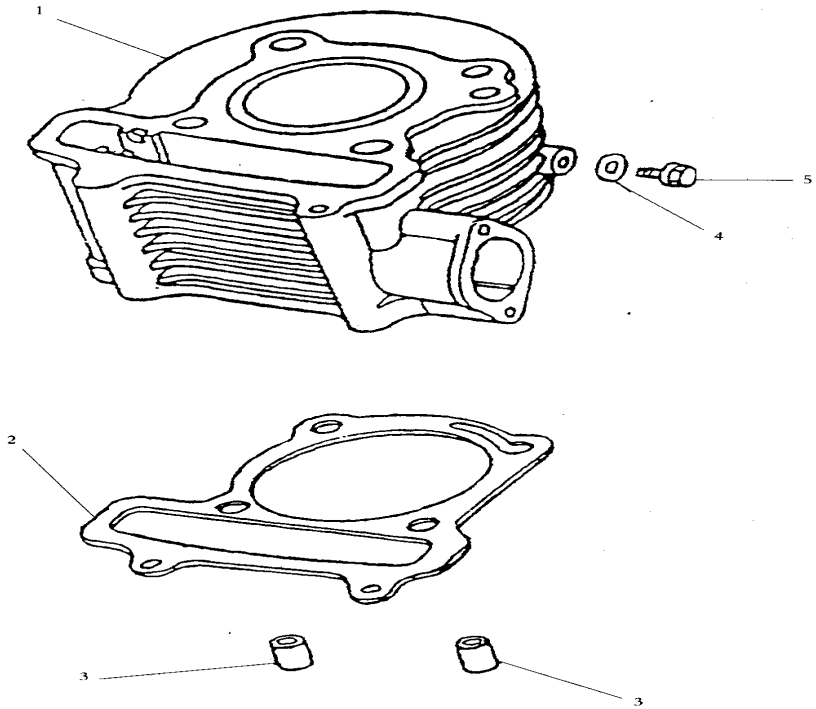
Enlarged figure
Next page

E05 CYLINDER HEAD COVER



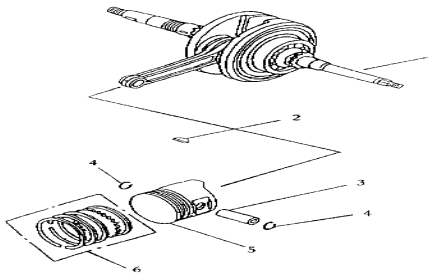
E06 CYLINDER

REF	PART NUMBER	DESCRIPTION	QTY	2004	2005
6-1	SGI.06.01	CYLINDER ASSY	1	1	1
6-2	SGI.06.02	GASKET, CYLINDER	1	1	1
6-3	SGI.06.03	PIN DOWER	2	2	2
6-4	SGI.06.04	WASHER COPPER	1	1	1
6-5	SGI.06.05	BOLT	1	1	1



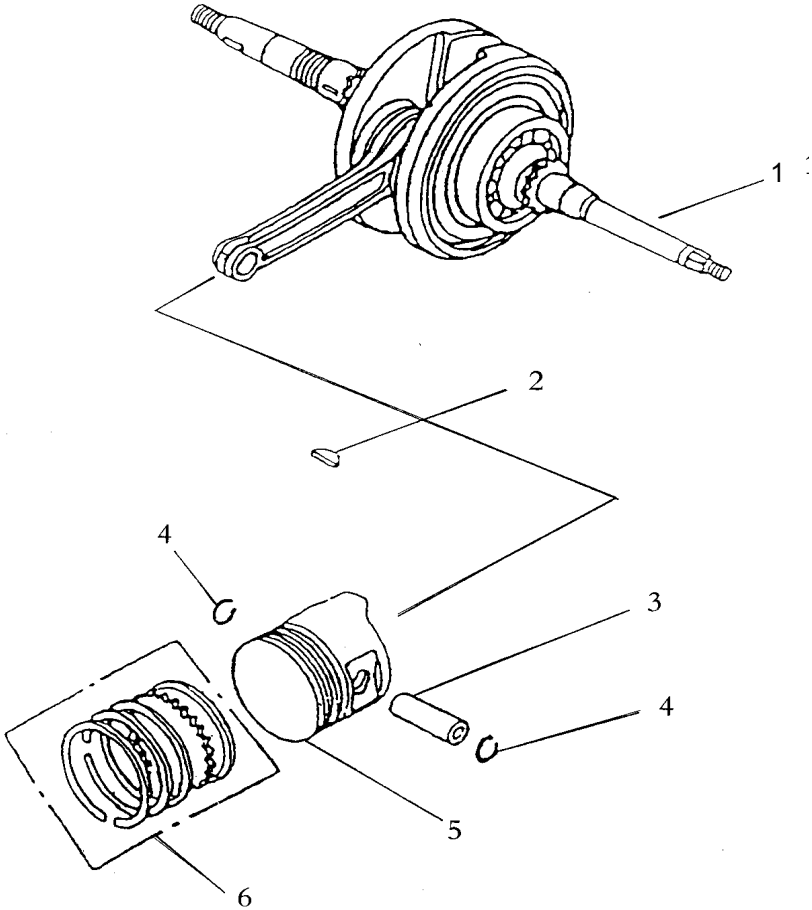
E07 CRANKSHAFT PISTON

REF	PART NUMBER	DESCRIPTION	QTY	2004	2005
7-1	SGI.07.01	CRANKSHAFT ASSY	1	1	1
7-2	SGI.07.02	KEY, WOODRUFF	1	1	1
7-3	SGI.07.03	PIN, PISTON	1	1	1
7-4	SGI.07.04	CLIP, PISTON PIN	2	2	2
7-5	SGI.07.05	PISTON	1	1	1
	SGI.07.06	PISTON RING, FIRST	1	1	1
	SGI.07.07	PINSTON RING, SECOND	1	1	1
	SGI.07.08	RING, BLADE	2	2	2
	SGI.07.09	LOADED OIL CONTROL RINGS	1	1	1



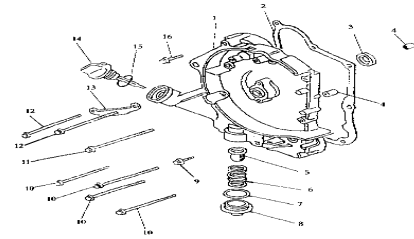
Enlarged figure
Next page

E07 CRANKSHAFT PISTON



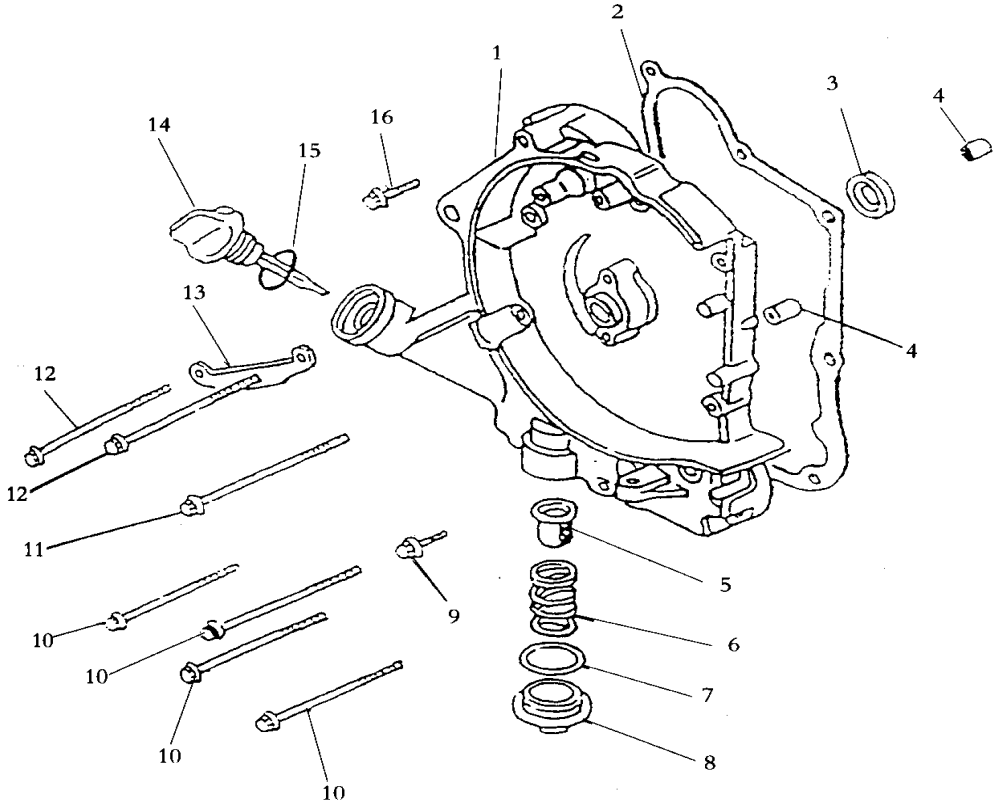
E08 RIGHT CRANKCASE COVER

REF	PART NUMBER	DESCRIPTION	QTY	2004	2005
8-1	SGI.08.01	COVER, R.	1	1	1
8-2	SGI.08.02	GASKET, R. COVER	1	1	1
8-3	SGI.08.03	OIL SEAL	1	1	1
	SGI.08.03	SPRING, OIL SEAL	1	1	1
8-4	SGI.08.04	PIN, DOWEL	2	2	2
8-5	SGI.08.05	DSCREEN, OIL FILTER	1	1	1
8-6	SGI.08.06	SPRING, OIL FILTER SCREEN	1	1	1
8-7	SGI.08.07	O-RING	1	1	1
8-8	SGI.08.08	COVER, OIL FILTER SCREEN	1	1	1
8-9	SGI.08.09	BOLT	1	1	1
8-10	SGI.08.10	BOLT	4	4	4
8-11	SGI.08.11	BOLT	1	1	1
8-12	SGI.08.12	BOLT	2	2	2
8-13	SGI.08.13	CLAMPER, GENERATOR CORD	1	1	1
8-14	SGI.08.14	GAUGE, OIL LEVEL	1	1	1
8-15	SGI.08.15	O-RING	1	1	1
8-16	SGI.08.16	BOLT	1	1	1



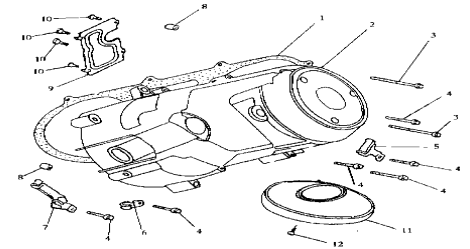
Enlarged figure
Next page

E08 RIGHT CRANKCASE COVER



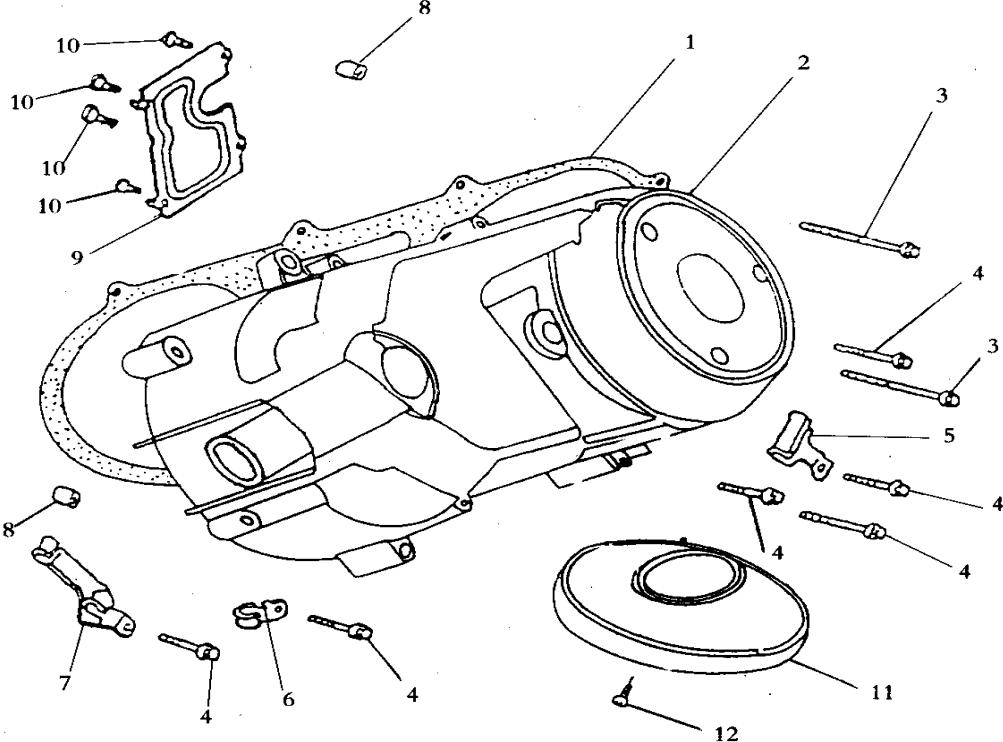
E09 LEFT CRANKCASE COVER

REF	PART NUMBER	DESCRIPTION	QTY	2004	2005
9-1	SGI.09.01	GASKET, L. COVER	1	1	1
9-2	SGI.09.02	BOLT	2	2	2
9-3	SGI.09.03	BOLT	6	6	6
9-4	SGI.09.04	CLAMPER, BRAKE CABLE	1	1	1
9-5	SGI.09.05	HOLDER, OIL DRAIN TUBE	1	1	1
9-6	SGI.09.06	CLAMPER ASSY	1	1	1
9-7	SGI.09.07	PIN, DOWEL	2	2	2
9-8	SGI.09.08	PLATE, L. COVER	1	1	1
9-9	SGI.09.09	SCREW, TAPPING	4	4	4
9-10	SGI.09.10	SCREW	3	3	3



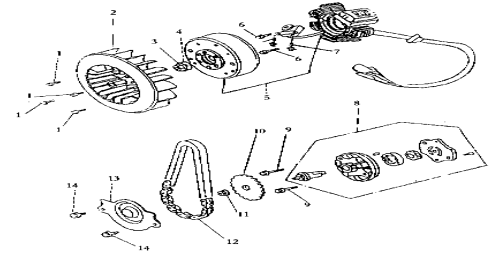
Enlarged figure
Next page

E09 LEFT CRANKCASE COVER



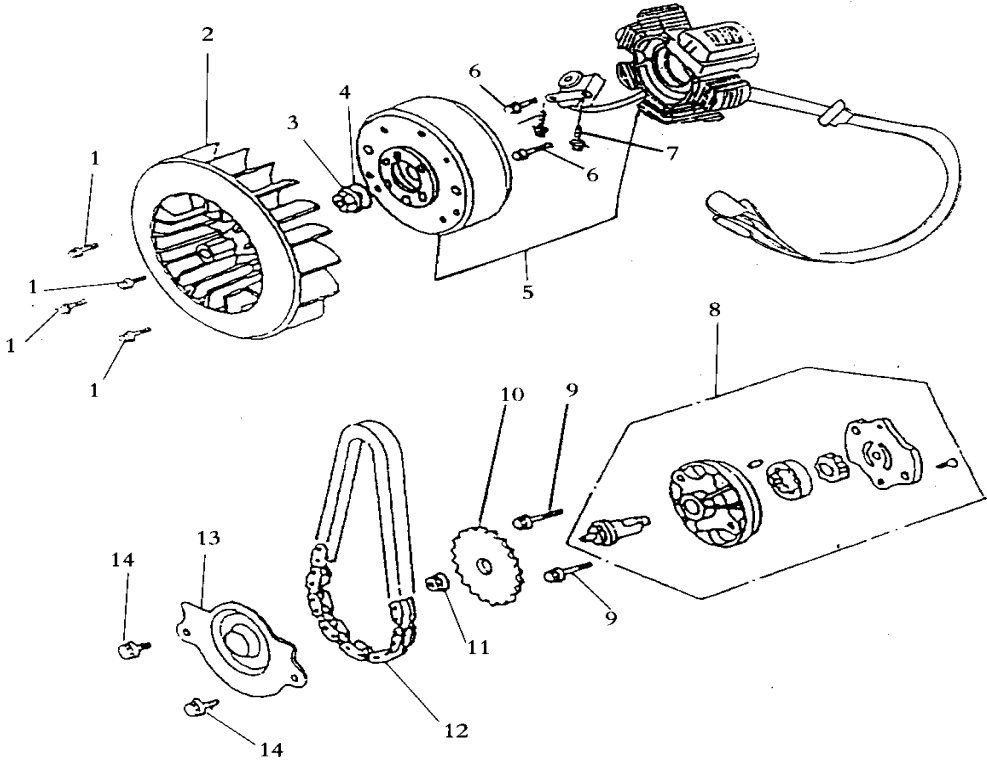
E10 GENERATOR OIL PUMP

REF	PART NUMBER	DESCRIPTION	QTY	2004	2005
10-1	SGI.10.01	BOLT	4	4	4
10-2	SGI.10.02	FAN, COOLING	1	1	1
10-3	SGI.10.03	NUT, CRANKSHAFT	1	1	1
10-4	SGI.10.04	GENERATOR ASSY	1	1	1
10-5	SGI.10.05	GENERATOR ASSY	1	1	1
10-6	SGI.10.06	BOLT	2	2	2
10-7	SGI.10.07	BOLT	2	2	2
10-8	SGI.10.08	OIL PUMP ASSY	1	1	1
10-9	SGI.10.09	BOLT	2	2	2
10-10	SGI.10.10	SPROCKET, OIL PUMP DRIVEN	1	1	1
10-11	SGI.10.11	NUT	1	1	1
10-12	SGI.10.12	CHAIN, OIL PUMP	1	1	1
10-13	SGI.10.13	COVER, OIL PUMP	1	1	1
10-14	SGI.10.14	SCREW	2	2	2



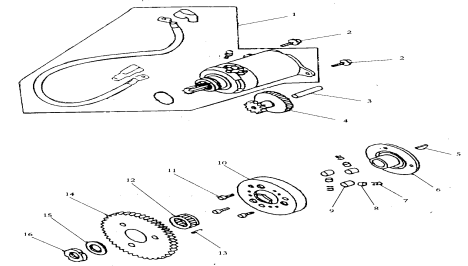
Enlarged figure
Next page

E10 GENERATOR OIL PUMP



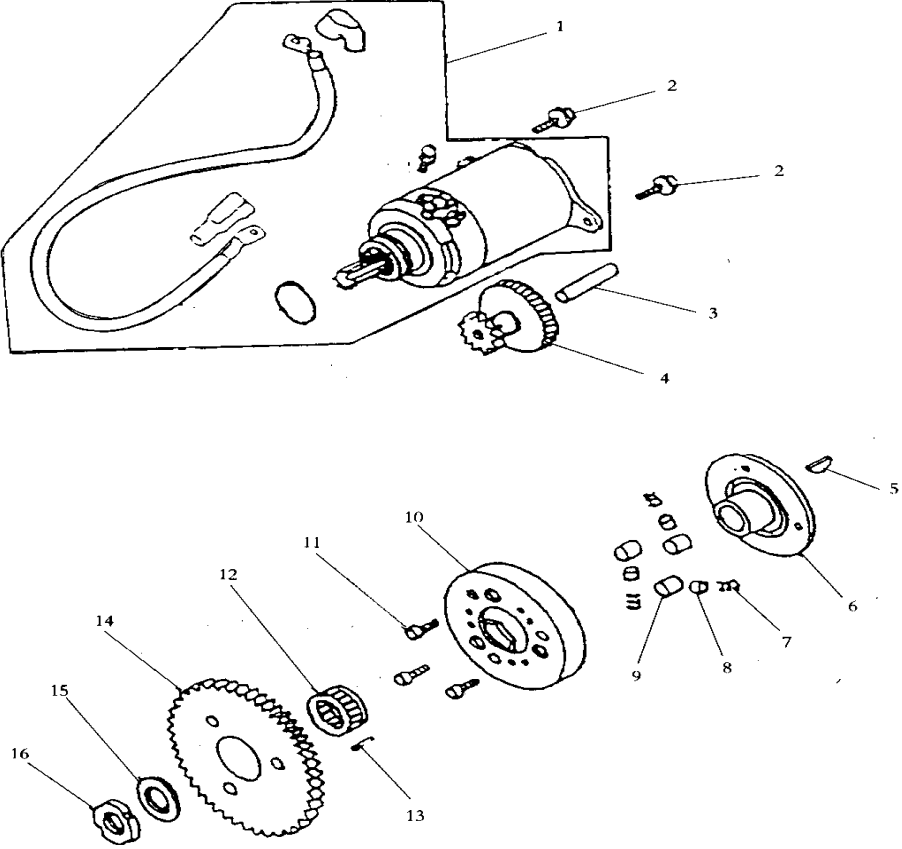
E11 STARTING MOTOR, CLUTCH

REF	PART NUMBER	DESCRIPTION	QTY	2004	2005
11-1	SGI.11.01	MOTOR ASSY	1	1	1
11-2	SGI.11.02	BOLT (M6 X 16)	2	2	2
11-3	SGI.11.03	GEAR	1	1	1
11-4	SGI.11.04	DOUBLE GEAR	1	1	1
11-5	SGI.11.05	WOODRUFF KEY	1	1	1
11-6	SGI.11.06	FLANGE	1	1	1
11-7	SGI.11.07	SPRING	1	1	1
11-8	SGI.11.08	PIN	1	1	1
11-9	SGI.11.09	ROLLER	3	3	3
11-10	SGI.11.10	OUTER COMP., STARTING CLUTCH SCREW	1	1	1
11-11	SGI.11.11	SCREW	3	3	3
11-12	SGI.11.12	BEARING	1	1	1
11-13	SGI.11.13	PIN, DOWER	1	1	1
11-14	SGI.11.14	INNER, COMP, STARTING	1	1	1
11-15	SGI.11.15	WASHER. LOCK NUT	1	1	1
11-16	SGI.11.16	NUT, LOCK	1	1	1



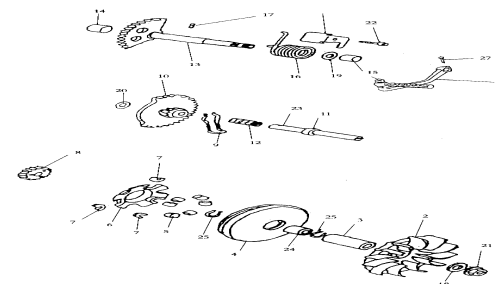
Enlarged figure
Next page

E11 STARTING MOTOR, CLUTCH



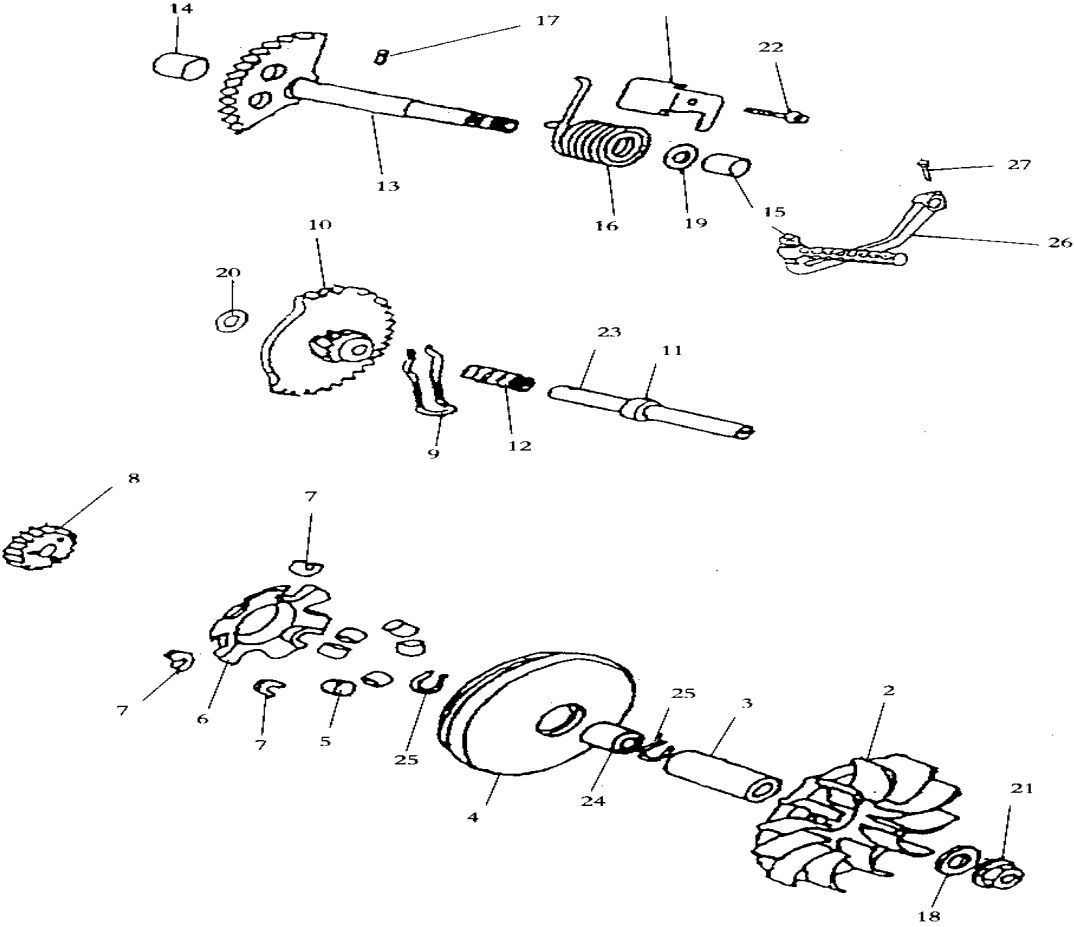
E12 DRIVER, STARTER

REF	PART NUMBER	DESCRIPTION	QTY	2004	2005
12-1	SGI.12.01	PLATE, SPRING STOP	1	1	1
12-2	SGI.12.02	LEFT PART, DRIVER	1	1	1
12-3	SGI.12.03	BOSS, DRIVER	1	1	1
12-4	SGI.12.04	RIGHT PART, DRIVER	1	1	1
12-5	SGI.12.05	ROLLER SET	6	6	6
12-6	SGI.12.06	PLATE, RAMP	1	1	1
12-7	SGI.12.07	BUFFER, PLATE RAMP	3	3	3
12-8	SGI.12.08	GEAR, KICK DRIVEN	1	1	1
12-9	SGI.12.09	CLIP	1	1	1
12-10	SGI.12.10	GEAR COMP, IDLE	1	1	1
12-11	SGI.12.11	SHAFT, STARTER IDLE	1	1	1
12-12	SGI.12.12	SPRING, STARTER IDLE	1	1	1
12-13	SGI.12.13	KICK SHAFT COMP	1	1	1
12-14	SGI.12.14	BUSH 12 X 16 X 12	1	1	1
12-15	SGI.12.15	BUSH 14 X 18 X 116	1	1	1
12-16	SGI.12.16	SPRING, TORSION	1	1	1
12-17	SGI.12.17	PIN, 4.6MM	1	1	1
12-18	SGI.12.18	THRUST, FLANGE 12MM	1	1	1
12-19	SGI.12.19	WASHER 14.1MM	1	1	1
12-20	SGI.12.20	WASHER 12.5MM	1	1	1
12-21	SGI.12.21	THRUST, FLANGE 12MM	1	1	1
12-22	SGI.12.22	BOLT	1	1	1
12-23	SGI.12.23	ROLLER, 3 X 8.5	1	1	1
12-24	SGI.12.24	COLLAR	1	1	1
12-25	SGI.12.25	CLIP	2	2	2
12-26	SGI.12.26	POLE, ANCHOR	1	1	1
12-27	SGI.12.27	BOLT	1	1	1



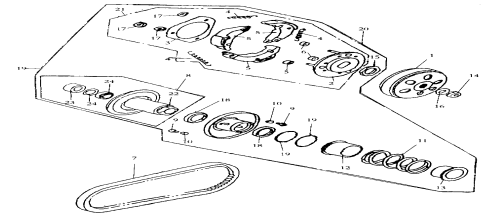
Enlarged figure
Next page

E12 DRIVER, STARTER



E13 BELT, DRIVEN PULLEY

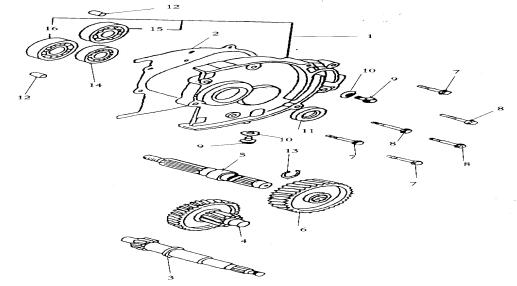
REF	PART NUMBER	DESCRIPTION	QTY	2004	2005
13-1	SGI313.01	OUTER, CLUTCH	1	1	1
13-2	SGI313.02	DRIVE, PLATE COMP.	1	1	1
13-3	SGI313.03	COVER, CLUTCH	1	1	1
13-4	SGI313.04	SPRING, CLUTCH	3	3	3
13-5	SGI313.05	SEIGHT, CLUTCH	3	3	3
13-6	SGI313.06	DAMPER COMP	3	3	3
13-7	SGI313.07	V-BELT	1	1	1
13-8	SGI313.08	LEFT COMP, DRIVEN	1	1	1
13-9	SGI313.09	PIN, ROLLER GUIDE	3	3	3
13-10	SGI313.10	ROLLER GUIDE	3	3	3
13-11	SGI313.11	SPRING, DRIVEN DISK	1	1	1
13-12	SGI313.12	RIGHT SEAT, SPRING	1	1	1
13-13	SGI313.13	LEFT SEAT, SPRING	1	1	1
13-14	SGI313.14	NUT, FLANGE 12MM	1	1	1
13-15	SGI313.15	NUT SPECIAL 28MM	1	1	1
13-16	SGI313.16	WASHER 12.2 X 25 X 2.5	1	1	1
13-17	SGI313.17	CIRCLIP 7MM	3	3	3
13-18	SGI313.18	SEAL, DRIVEN PULLEY	2	2	2
13-19	SGI313.19	O-RING, DRIVEN	2	2	2
13-20	SGI313.20	PULLEY ASSY, DRIVEN	1	1	1
13-21	SGI313.21	PLATE-ASSY, DRIVEN	1	1	1
13-22	SGI313.22	RIGHT-COMP, DRIVEN	1	1	1
13-23	SGI313.23	BEARING, NEEDLE 20 X 29 X 18	1	1	1
13-24	SGI313.24	LEFT BEARING DRIVEN	1	1	1
13-25	SGI313.25	CIRCLIP 28MM	1	1	1



Enlarged figure
Next page

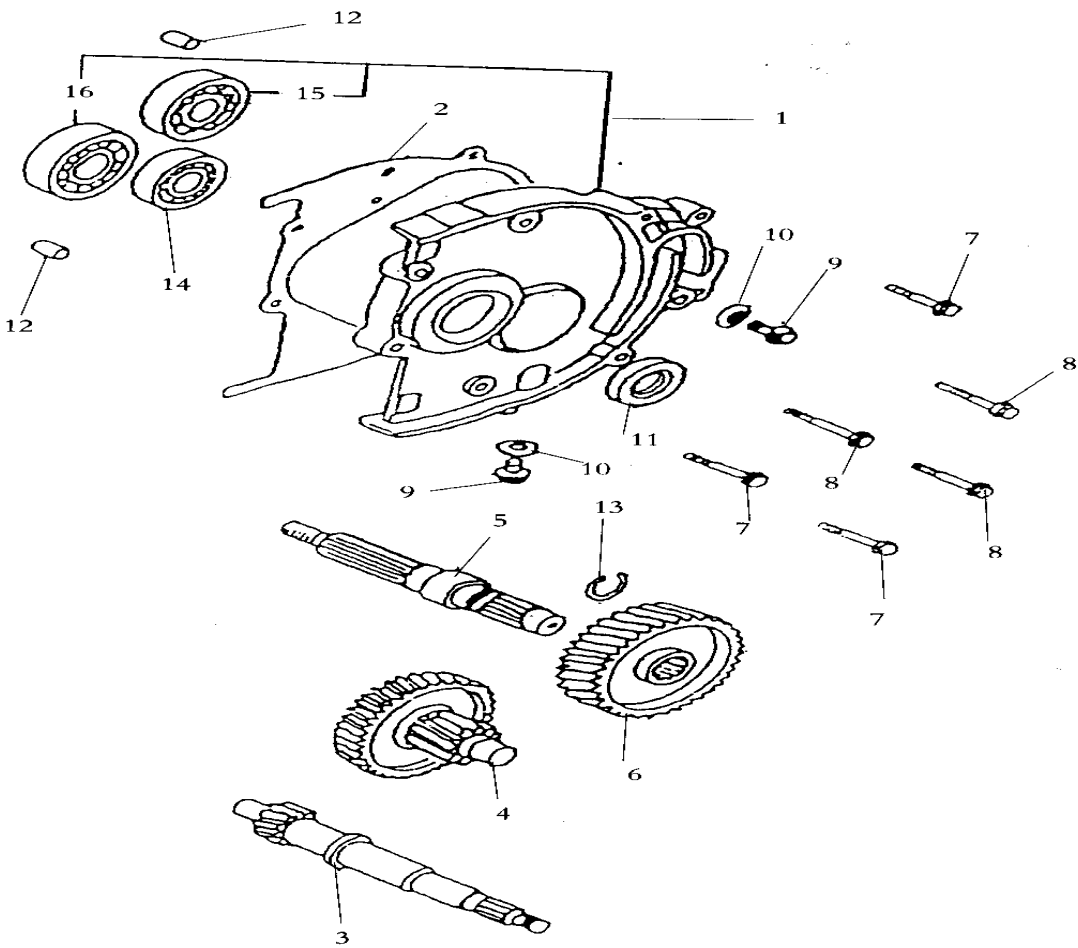
E14 REAR DRIVE SET

REF	PART NUMBER	DESCRIPTION	QTY	2004	2005
14-1	SGI.14.01	COVER, REAR DRIVE	1	1	1
14-2	SGI.14.02	GASKET, REAR COVER	1	1	1
14-3	SGI.14.03	SHAFT, DRIVE	1	1	1
14-4	SGI.14.04	COUNTERSHAFT COMP	1	1	1
14-5	SGI.14.05	SHAFT, FINAL	1	1	1
14-6	SGI.14.06	GEAR, FINAL	1	1	1
14-7	SGI.14.07	BOLT M6 X 28	3	3	3
14-8	SGI.14.08	BOLT M6 X 35	3	3	3
14-9	SGI.14.09	BOLT SPEACIAL 8MM	2	2	2
14-10	SGI.14.10	WASHER 8MM	2	2	2
14-11	SGI.14.11	SEAL, 20 X 32 X 6	1	1	1
	SGI.14.11	SPRING, SEAL	1	1	1
14-12	SGI.14.12	PIN 8 X 14	2	2	2
14-13	SGI.14.13	CIRCLIP 20MM	1	1	1
14-14	SGI.14.14	BEARING BALL 202	1	1	1
14-15	SGI.14.15	BEARING BALL 203	1	1	1
14-16	SGI.14.16	L-BEARING	1	1	1



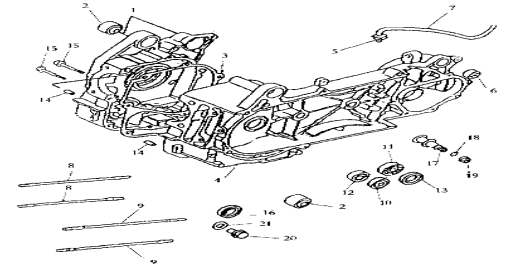
Enlarged figure
Next page

E14 REAR DRIVE SET



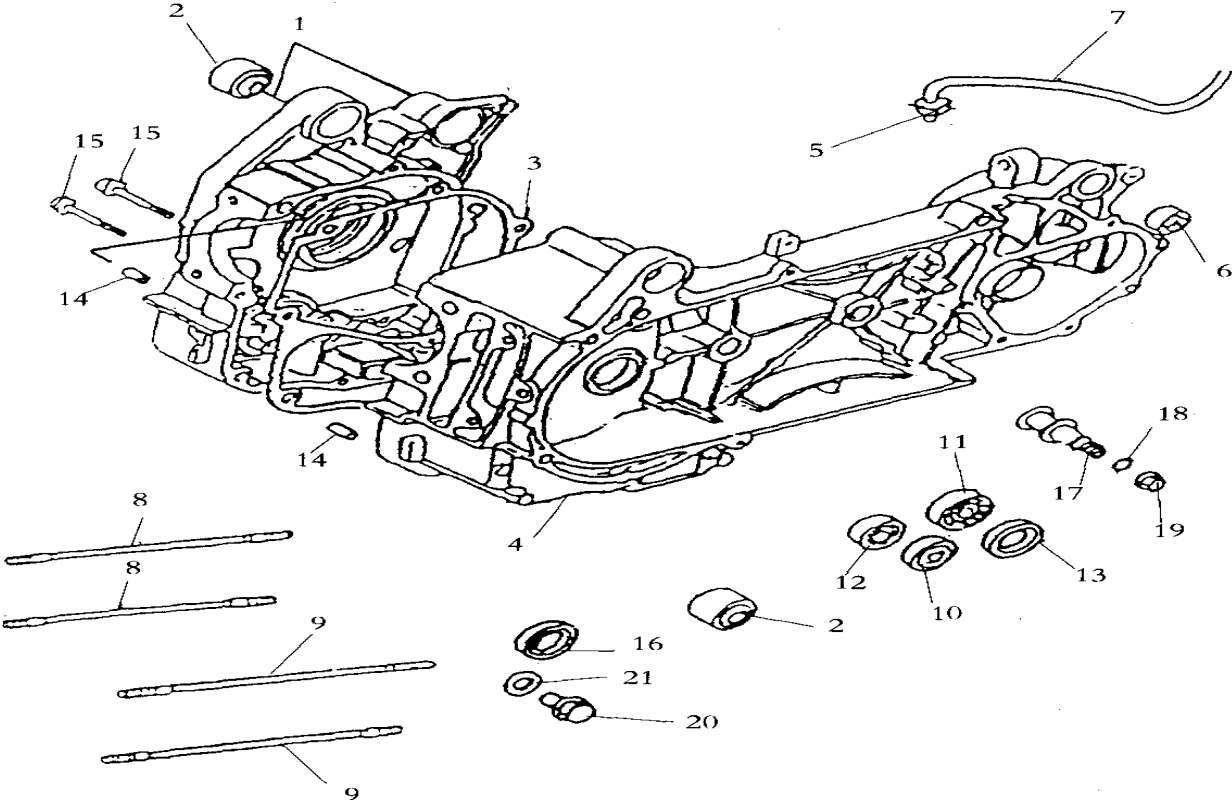
E15 CRANKCASE

REF	PART NUMBER	DESCRIPTION	QTY	2004	2005
15-1	SGI.15.01	CRANKCASE ASSY, R.	1	1	1
15-2	SGI.15.02	BUSH, HANGE	2	2	2
15-3	SGI.15.03	GASKET	1	1	1
15-4	SGI.15.04	CRANKCASE ASSY, L.	1	1	1
15-5	SGI.15.05	BLOCK	1	1	1
15-6	SGI.15.06	BUSH HANGE	1	1	1
15-7	SGI.15.07	BREATHER TUBE	1	1	1
15-8	SGI.15.08	STUD, M8 X 187.5	2	2	2
15-9	SGI.15.09	STUD, M8 X 195.5	2	2	2
15-10	SGI.15.10	R-BEARING	1	1	1
15-11	SGI.15.11	BEARING BALL 102	1	1	1
15-12	SGI.15.12	BEARING SEAL	1	1	1
	SGI.15.13	SEAL .27 X 42 X 7	1	1	1
15-13	SGI.15.13	WIRING SEAL	1	1	1
15-14	SGI.15.14	PIN, DOWER 8 X 14	2	2	2
15-15	SGI.15.15	BOLT M6 X 50	2	2	2
	SGI.15.16	SEAL 19,8 X 30 X 5	1	1	1
15-16	SGI.15.16	SPRING SEAL	1	1	1
15-17	SGI.15.17	PIN, BRAKE SHOE	1	1	1
15-18	SGI.15.18	O-RING 7.5 X 1.5	1	1	1
15-19	SGI.15.19	NUT, FLANGE 8MM	1	1	1
15-20	SGI.15.20	DRAIN PLUG 12MM	1	1	1
15-21	SGI.15.20	WASHER PLUG 12MM	1	1	1



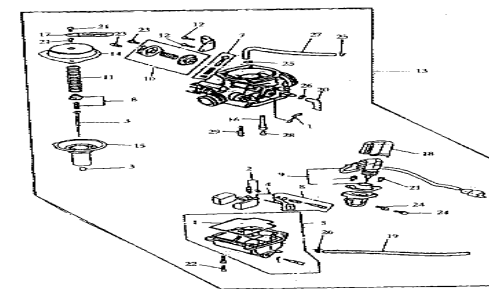
Enlarged figure
Next page

E15 CRANKCASE



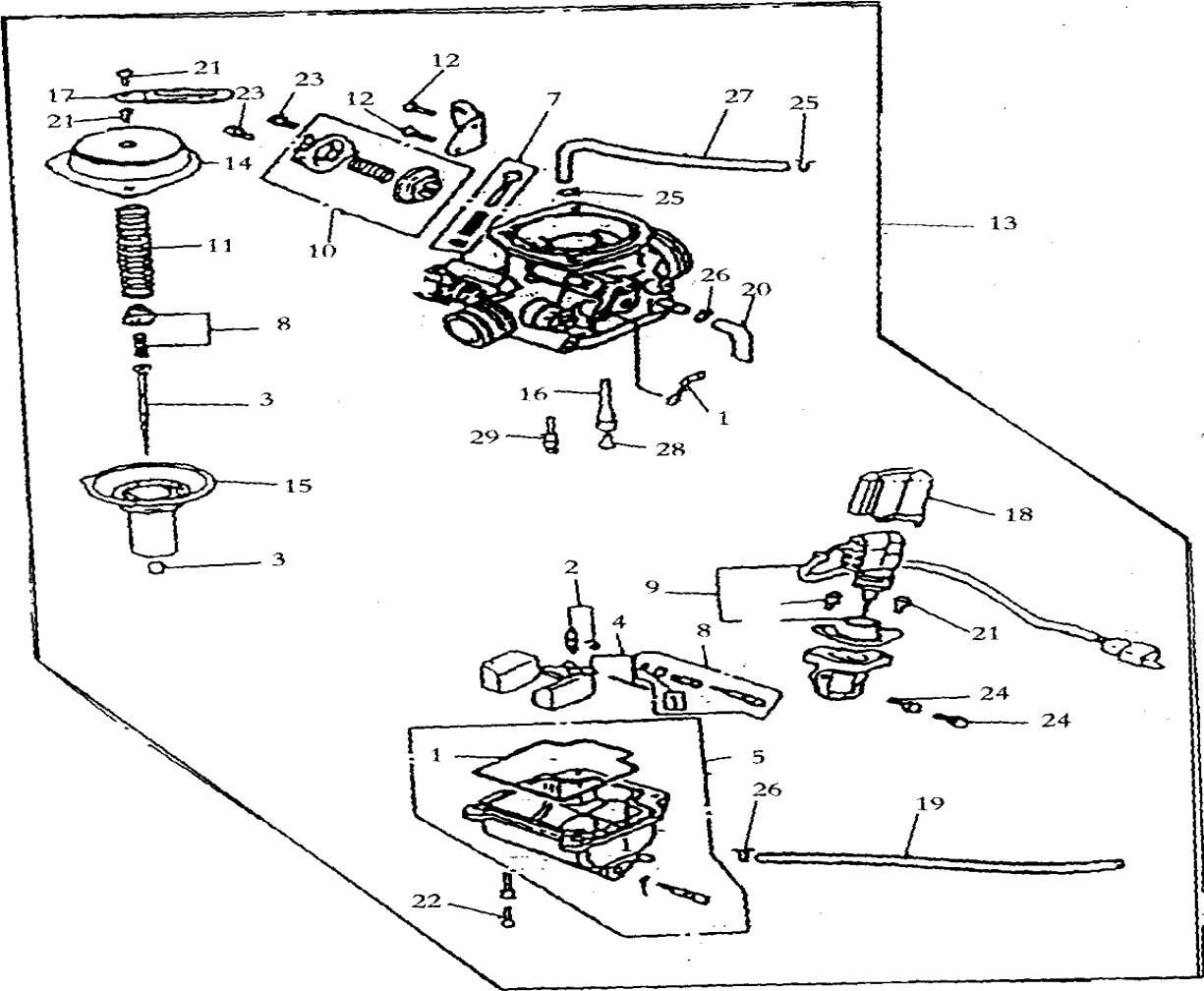
E16 CARBURETOR

REF	PART NUMBER	DESCRIPTION	QTY	2004	2005
16-1	SGI.16.01	GASKET SET	1	1	1
16-2	SGI.16.02	VALVR SET FLOAT	1	1	1
16-3	SGI.16.03	NEEDLE SET	1	1	1
16-4	SGI.16.04	FLOAT CHAMBER	1	1	1
16-5	SGI.16.05	CHAMBER SET, FLOAT	1	1	1
16-6	SGI.16.06	SCREW SET A	1	1	1
16-7	SGI.16.07	SCREW SET B	1	1	1
16-8	SGI.16.08	PLATE SET, VALVE	1	1	1
16-9	SGI.16.09	VALVE SET, STARTER	1	1	1
16-10	SGI.16.10	VALVE SET, AIRCUT	1	1	1
16-11	SGI.16.11	SPRING	1	1	1
16-12	SGI.16.12	SCREW, PAN 5 X 12	2	2	2
16-13	SGI.16.13	CARBURETOR ASSY	1	1	1
16-14	SGI.16.14	TOP COMP	1	1	1
16-15	SGI.16.15	PISTON COMP, VACUUM	1	1	1
16-16	SGI.16.16	HOLDER JET	1	1	1
16-17	SGI.16.17	BINDER	1	1	1
16-18	SGI.16.18	CAP STARTER	1	1	1
16-19	SGI.16.19	TUBE	1	1	1
16-20	SGI.16.20	TUBE	1	1	1
16-21	SGI.16.21	SCREW, PAN 4 X 8	4	4	4
16-22	SGI.16.22	SCREW, PAN 4 X 14	4	4	4
16-23	SGI.16.23	SCREW-WASHER 4 X 10	2	2	2
16-24	SGI.16.24	SCREW-WASHER 5 X 12	2	2	2
16-25	SGI.16.25	CLIPB7	2	2	2
16-26	SGI.16.26	CLIPB8	2	2	2
16-27	SGI.16.27	TUBE 4 X 195	1	1	1
16-28	SGI.16.28	JET, MAIN #112	1	1	1
16-29	SGI.16.29	JET, SLOW #35	1	1	1



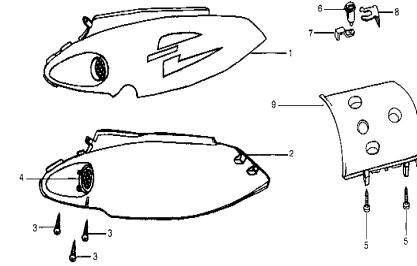
Enlarged figure
Next page

E16 CARBURETOR



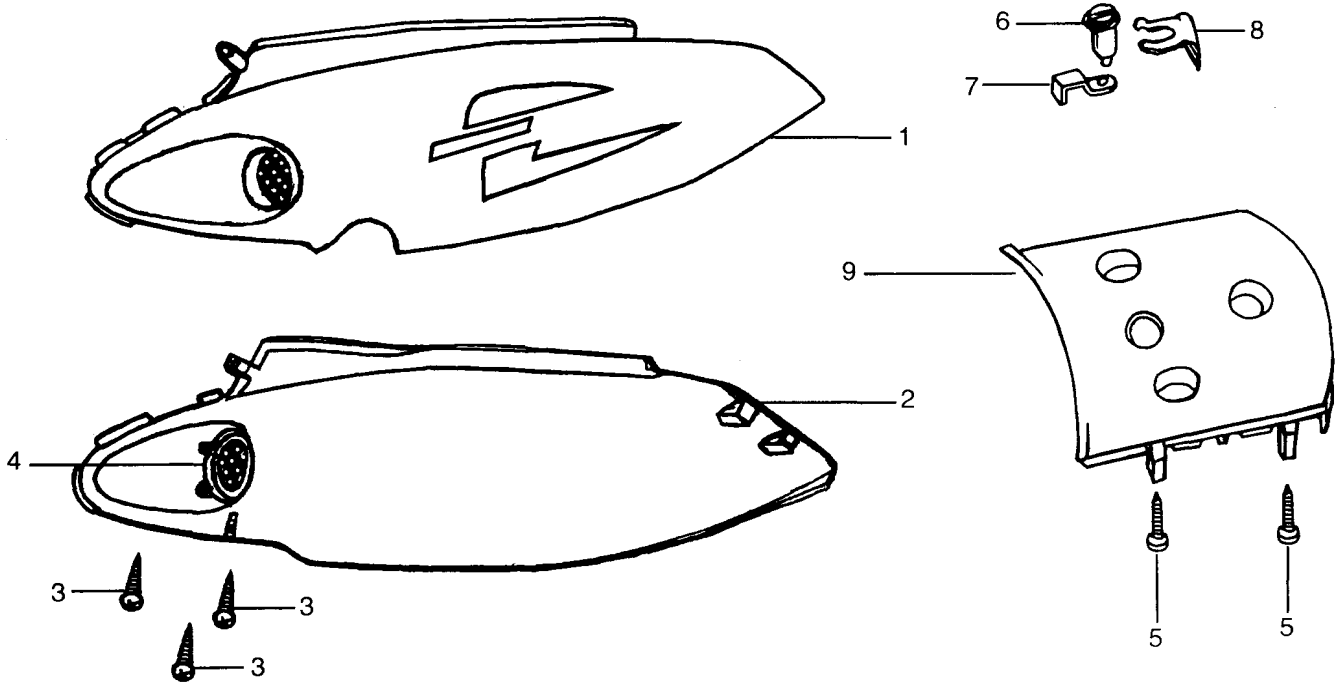
F01 SIDE COVER

REF	PART NUMBER	DESCRIPTION	QTY	2004	2005
1-1	SGI.17.01	L. SIDE COVER RED	1	1	
	SGI.17.01BU	L. SIDE COVER BLUE	1	1	
	SGI.17.01YW	L. SIDE COVER YELLOW	1	1	
	SGI.17.01OR021C	L. SIDE COVER ORANGE 021C	1		1
	SGI.17.01RD485C	L. SIDE COVER RED 485C			1
	SGI.17.01BU662C	L. SIDE COVER BLUE 662 C			1
	SGI.17.01GY433C	L. SIDE COVER GRAY 433C			1
1-2	SGI.17.02RD	R. SIDE COVER RED	1	1	
	SGI.17.02BU	R. SIDE COVER BLUE	1	1	
	SGI.17.02YW	R. SIDE COVER YELLOW	1	1	
	SGI.17.02OR021C	R. SIDE COVER ORANGE 021C			1
	SGI.17.02RD485C	R. SIDE COVER RED 485C			1
	SGI.17.02BU662C	R. SIDE COVER BLUE 662C			1
	SGI.17.02GY433C	R. SIDE COVER GRAY 433C			1
1-3	SGI.17.03	SCREW	6	6	6
1-4	SGI.17.04	SCREEN	1	1	1
1-5	SGI.17.05	SCREW	4	4	4
1-6	SGI.17.06	SEAT LOCK	1	1	1
1-7	SGI.17.07	LOCKING PLATE	1	1	1
1-8	SGI.17.08	RETAINER	1	1	1
1-9	SGI.17.09	REAR COVER RED	1	1	1
1-9	SGI.17.09BU	REAR COVER BLUE		1	1
1-9	SGI.17.09YW	REAR COVER YELLOW		1	1
1-9	SGI.17.09OR021C	REAR COVER ORANGE 021C			1
1-9	SGI.17.09RD485C	REAR COVER RED 485C			1
1-9	SGI.17.09BU662C	REAR COVER BLUE 662 C			1
1-9	SGI.17.09GY433C	REAR COVER GRAY 433C			1



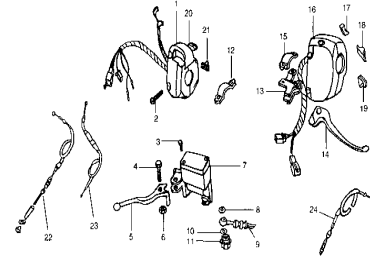
Enlarged figure
Next page

F01 SIDE COVER



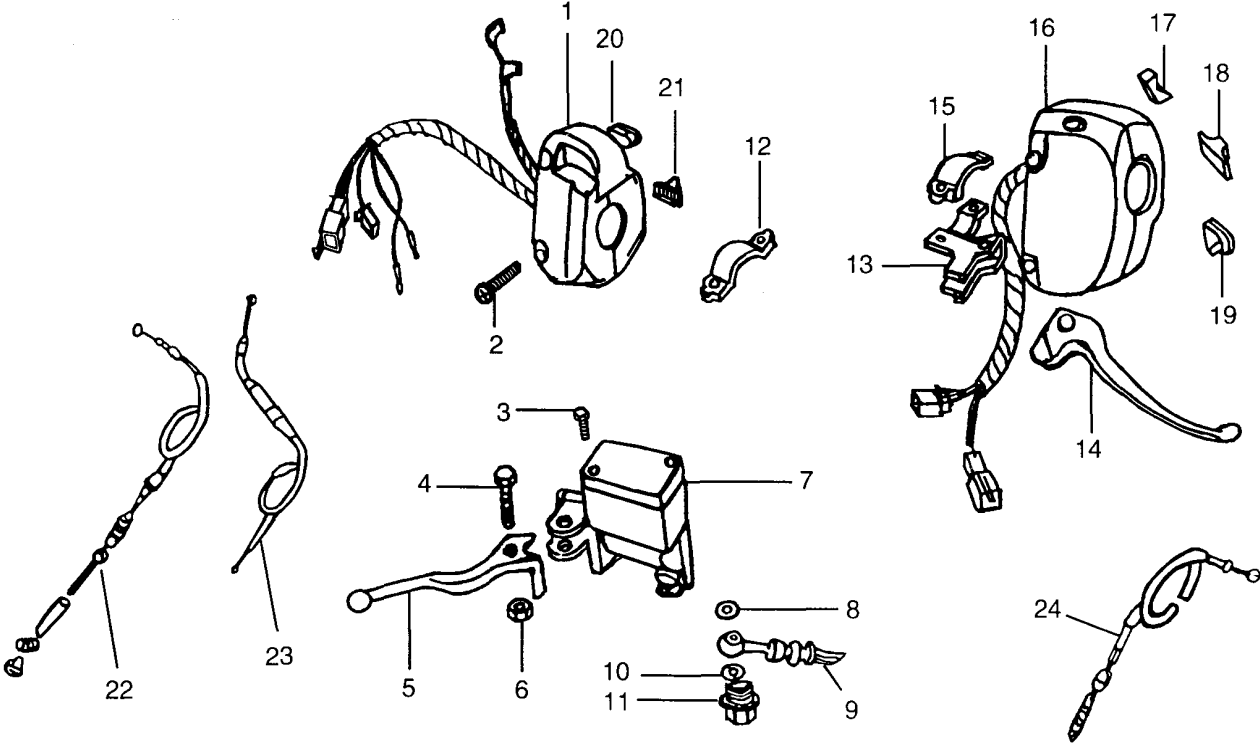
F02 R & L. S/W ASSY

REF	PART NUMBER	DESCRIPTION	QTY	2004	2005
2-1	SGI.18.01	SWITCH ASSY, R.	1	1	1
2-2	SGI.18.02	SCREW	1	1	1
2-3	SGI.18.03	BOLT	1	1	1
2-4	SGI.18.04	BOLT	1	1	1
2-5	SGI.18.05	HANDLE BAR R.	1	1	1
2-6	SGI.18.06	NUT	1	1	1
2-7	SGI.18.07	FRONT BRAKE MASTER CYLINDER	1	1	1
2-8	SGI.18.08	WASHER	1	1	1
2-9	SGI.18.09	HOSE ASSY, FR BRAKE	1	1	1
2-10	SGI.18.10	WASHER	1	1	1
2-11	SGI.18.11	BOLT	1	1	1
2-12	SGI.18.12	HOLDER, OIL CYLINDER	1	1	1
2-13	SGI.18.13	BRACKET HANDLE, L.	1	1	1
2-14	SGI.18.14	HANDLE BAR L.	1	1	1
2-15	SGI.18.15	HOLDER LEVER BRACKET L.	1	1	1
2-16	SGI.18.16	SWITCH ASSY, SEAT L	1	1	1
2-17	SGI.18.17	DIMMER S/W	1	1	1
2-18	SGI.18.18	WINKER S/W	1	1	1
2-19	SGI.18.19	SWITCH, HORN	1	1	1
2-20	SGI.18.20	SWITCH STARTER	1	1	1
2-21	SGI.18.21	SWITCH LIGHTING	1	1	1
2-22	SGI.18.22	CABLE, BRAKE	1	1	1
2-23	SGI.18.23	CABLE COMP., THROTTLE	1	1	1
2-24	SGI.18.24	CABLE, SPEEDOMETER	1	1	1



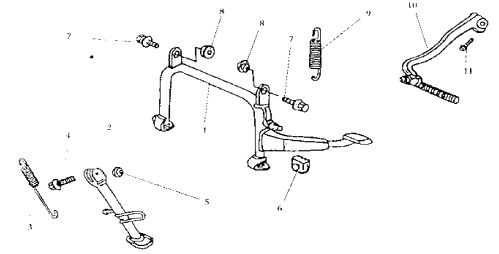
Enlarged figure
Next page

F02 R & L. S/W ASSY



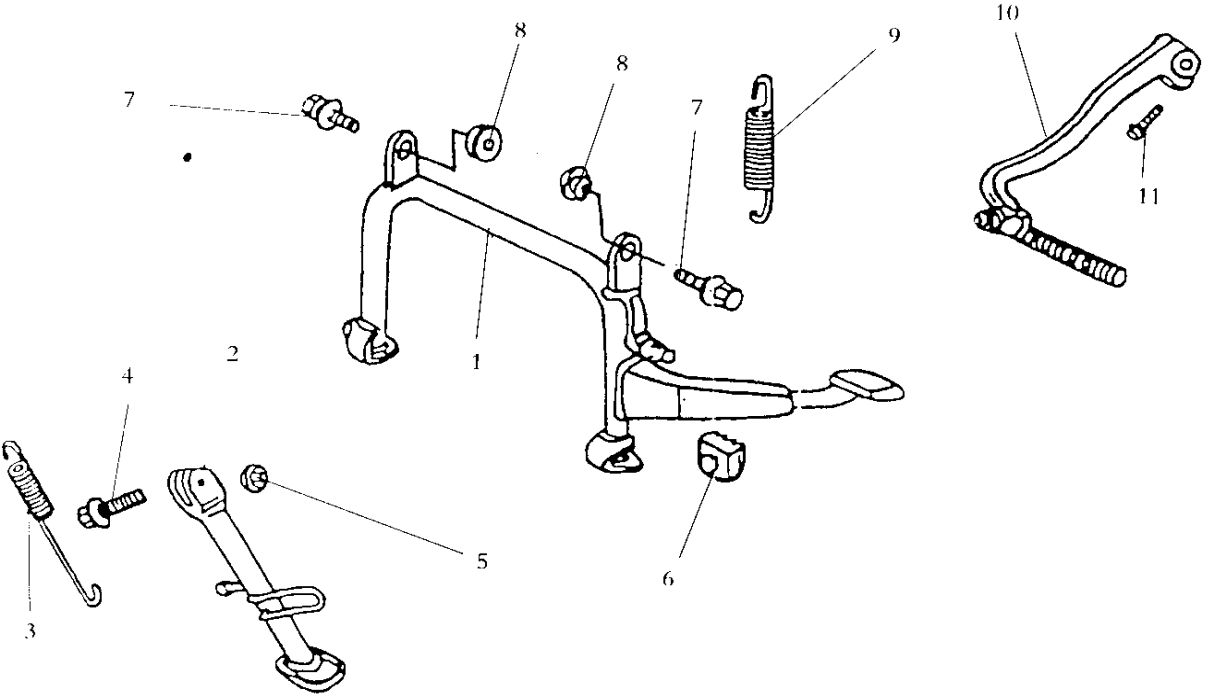
F03 STAND

REF	PART NUMBER	DESCRIPTION	QTY	2004	2005
3-1	SGI.19.01	MAIN STAND	1	1	1
3-2	SGI.19.02	SIDE STAND	1	1	1
3-3	SGI.19.03	SPRING, SIDE STAND	1	1	1
3-4	SGI.19.04	SCREW, SIDE STAND	1	1	1
3-5	SGI.19.05	NUT, SIDE STAND	1	1	1
3-6	SGI.19.06	RUBBER, STAND	1	1	1
3-7	SGI.19.07	BOLT	2	2	2
3-8	SGI.19.08	BUSH, MAIN STAND	2	2	2
3-9	SGI.19.09	SPRING, MAIN STAND	1	1	1
3-10	SGI.19.10	STARTING ROD ASSY	1	1	1
3-11	SGI.19.11	BOLT	1	1	1



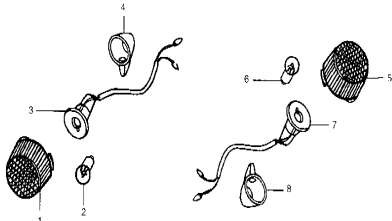
Enlarged figure
Next page

F03 STAND



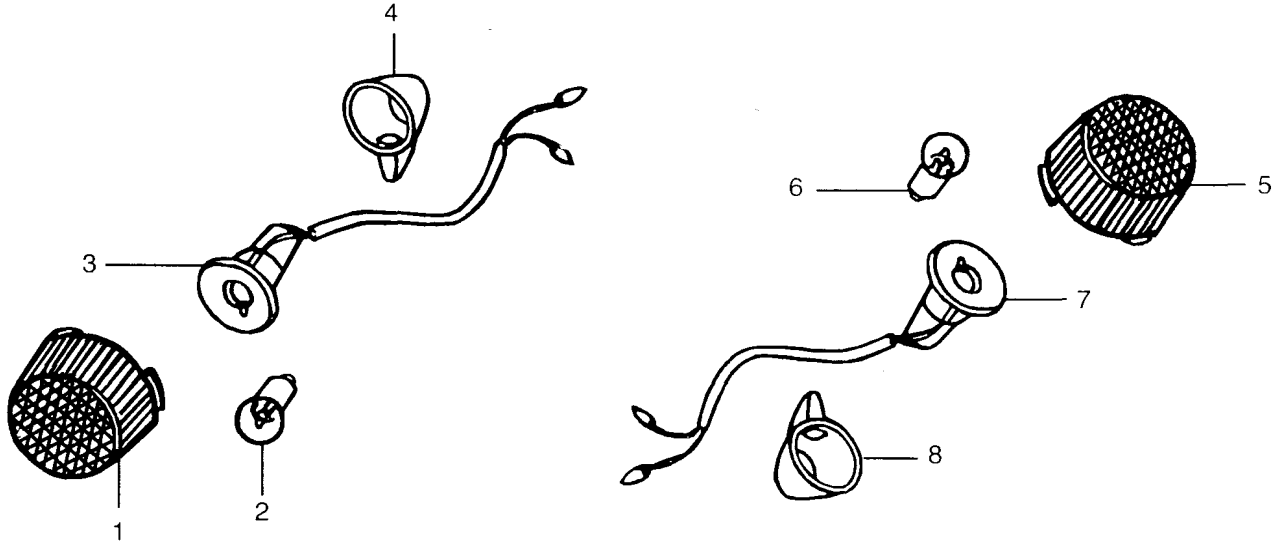
F04 WINKER (TURNING SIGNAL LAMP)

REF	PART NUMBER	DESCRIPTION	QTY	2004	2005
4-1	SGI.20.01	COVER L FR WINKER	1	1	1
4-2	SGI.20.02	BULB, WINKER	1	1	1
4-3	SGI.20.03	LIGHT BASE COMP	1	1	1
4-4	SGI.20.04	HOUSING	1	1	1
4-5	SGI.20.05	COVER R. FR. WINKER	1	1	1
4-6	SGI.20.06	BULB	1	1	1
4-7	SGI.20.07	LIGHT BASE COMP	1	1	1
4-8	SGI.20.08	R WINKER HOUSING	1	1	1



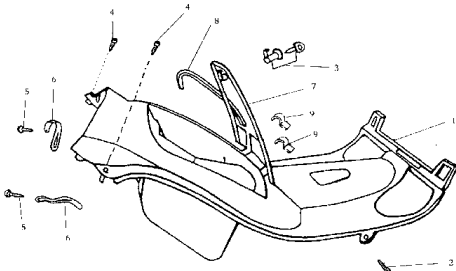
Enlarged figure
Next page

F04 WINKER (TURNING SIGNAL LAMP)



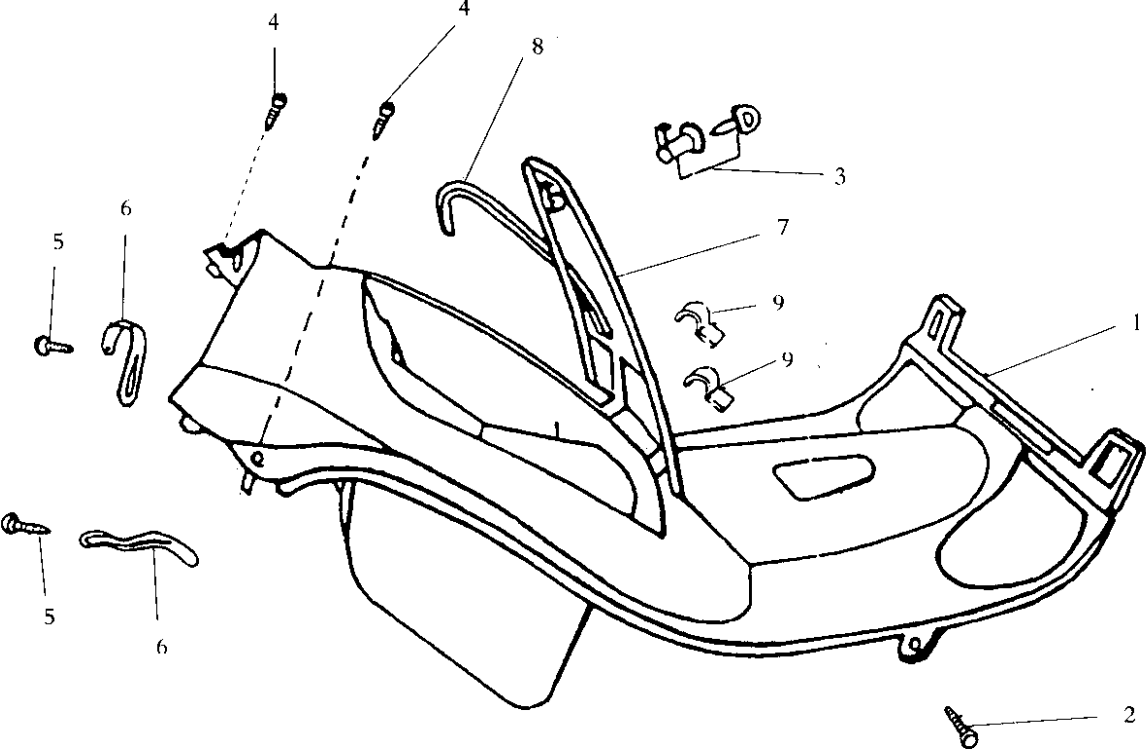
F05 FRONT BOX

REF	PART NUMBER	DESCRIPTION	QTY	2004	2005
5-1	SGI.21.01	FRONT BOX	1	1	1
5-2	SGI.21.02	BOLT	2	2	2
5-3	SGI.21.03	BOX, LOCK	1	1	1
5-4	SGI.21.04	SCREW	2	2	2
5-5	SGI.21.05	SCREW	2	2	2
5-6	SGI.21.06	CLIP	2	2	2
5-7	SGI.21.07	BOX COVER	1	1	1
5-8	SGI.21.08	SEAL, RUBBER	1	1	1
5-9	SGI.21.09	HINGE	2	2	2



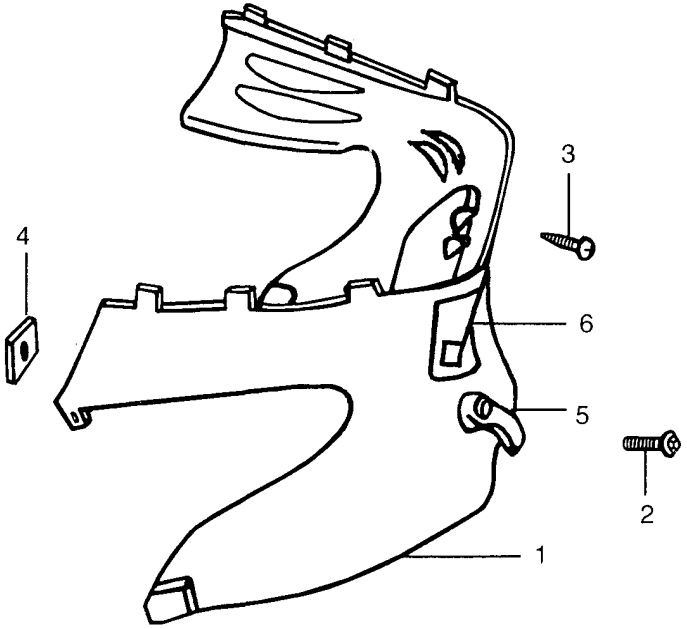
Enlarged figure
Next page

F05 FRONT BOX



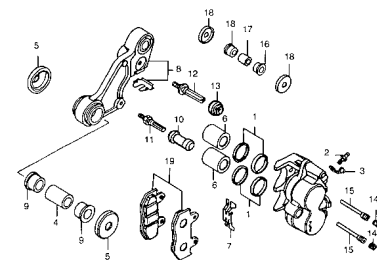
F06 CENTRAL COVER

REF	PART NUMBER	DESCRIPTION	QTY	2004	2005
6-1	SGI.22.01	CENTRAL COVER	1	1	1
6-2	SGI.22.02	BOLT	1	1	1
6-3	SGI.22.03	SCREW	1	1	1
6-4	SGI.22.04	MOUNTING PLATE, HANGER	1	1	1
6-5	SGI.22.05	HANGER	1	1	1
6-6	SGI.22.06	LID, CHECKING VIEW HOLE	1	1	1



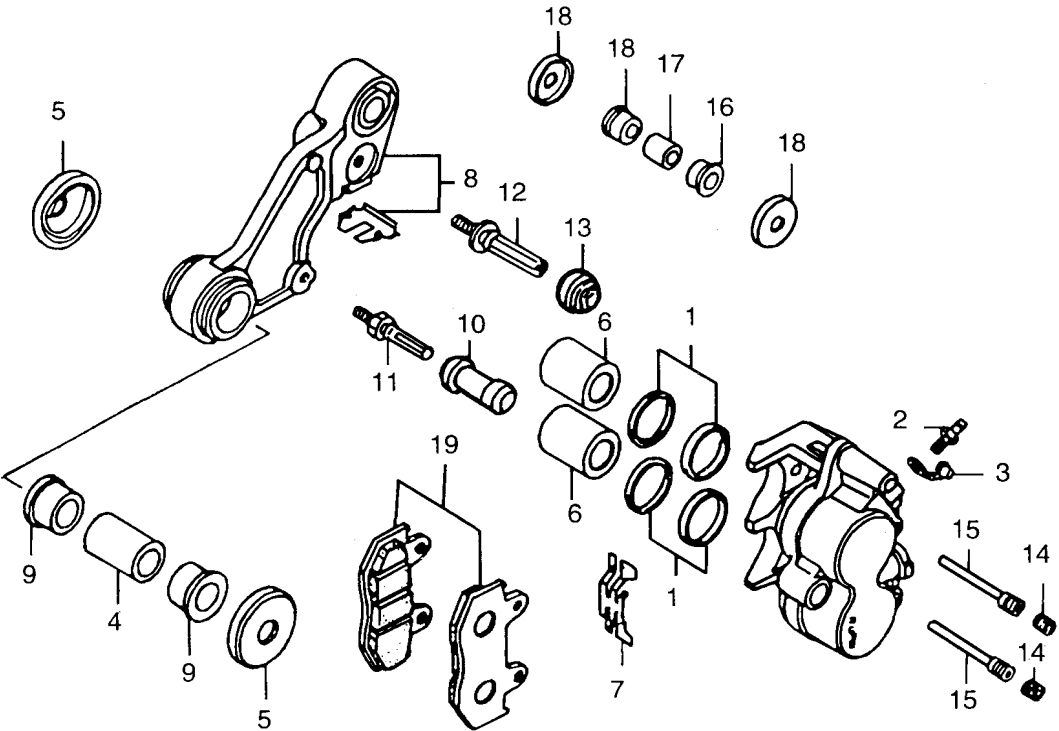
F07 CALIPER ASSY., FRONT BRAKE

REF	PART NUMBER	DESCRIPTION	QTY	2004	2005
7-1	SGL.23.01	DUST SEAL SET, PISTON	2	2	2
7-2	SGL.23.02	BLEEDER	1	1	1
7-3	SGL.23.03	CAP, BLEEDER	1	1	1
7-4	SGL.23.04	COLLAR, N, FR. BRAKE	1	1	1
7-5	SGL.23.05	DUST SEAL	2	2	2
7-6	SGL.23.06	PISTON	2	2	2
7-7	SGL.23.07	SPRING	1	1	1
7-8	SGL.23.08	BRACKET COMP.	1	1	1
7-9	SGL.23.09	BUSH	2	2	2
7-10	SGL.23.10	BUSH, PIN	1	1	1
7-11	SGL.23.11	BOLT-PIN B	1	1	1
7-12	SGL.23.12	BOLT-PIN A	1	1	1
7-13	SGL.23.13	RUBBER PLUG	1	1	1
7-14	SGL.23.14	POSITION PIN	2	2	2
7-15	SGL.23.15	POSITION BOLT-PIN	2	2	2
7-16	SGL.23.16	BUSH, TORQUE LINK	2	2	2
7-17	SGL.23.17	SPACER, TORQUE LINK	1	1	1
7-18	SGL.23.18	DUST SEAL	2	2	2
7-19	SGL.23.19	PAD SET, FR.	1	1	1



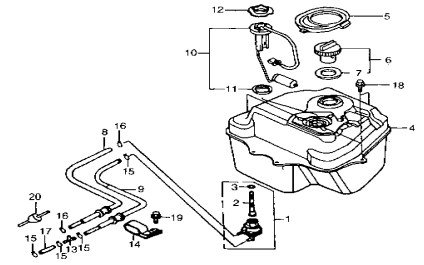
Enlarged figure
Next page

F07 CALIPER ASSY., FRONT BRAKE



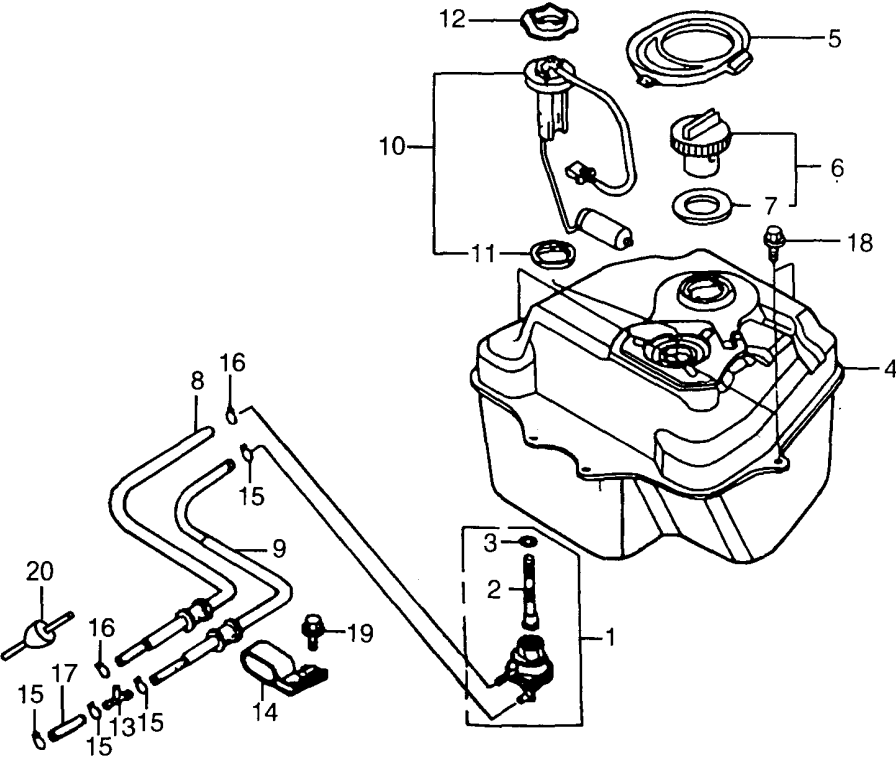
F08 FUEL TANK

REF	PART NUMBER	DESCRIPTION	QTY	2004	2005
8-1	SGI.24.01	PETCOCK, ASSY	1	1	1
8-2	SGI.24.02	STRAINER	1	1	1
8-3	SGI.24.03	GASKET, PETCOCK BODY	1	1	1
8-4	SGI.24.04	FUEL TANK COMP	1	1	1
8-5	SGI.24.05	SEAL COMP, FUEL TANK	1	1	1
8-6	SGI.24.06	CAP COMP FUEL FILLER	1	1	1
8-7	SGI.24.07	SEAL RING FUEL TANK	1	1	1
8-8	SGI.24.08	TUBE COMP, FUEL	1	1	1
8-9	SGI.24.09	TUBE COMP, VACUUM	1	1	1
8-10	SGI.24.10	LEVEL SENSOR SET, FUEL	1	1	1
8-11	SGI.24.11	POSITION PLATE FUEL SENSOR	1	1	1
8-12	SGI.24.12	POSITION PLATE FUEL SENSOR	1	1	1
8-13	SGI.24.13	JOINT, THREE WAY	1	1	1
8-14	SGI.24.14	TUBE A	1	1	1
8-15	SGI.24.15	TUBE B	4	4	4
8-16	SGI.24.16	TUBE C	2	2	2
8-17	SGI.24.17	HOSE	1	1	1
8-18	SGI.24.18	NUT	3	3	3
8-19	SGI.24.19	BOLT	1	1	1
8-20	SGI.24.20	FILTER	1	1	1



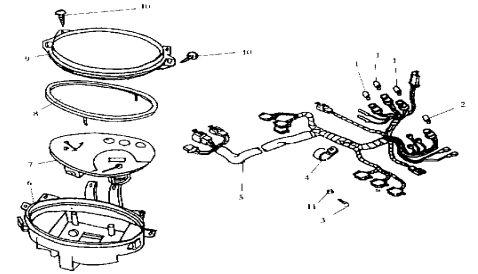
Enlarged figure
Next page

F08 FUEL TANK



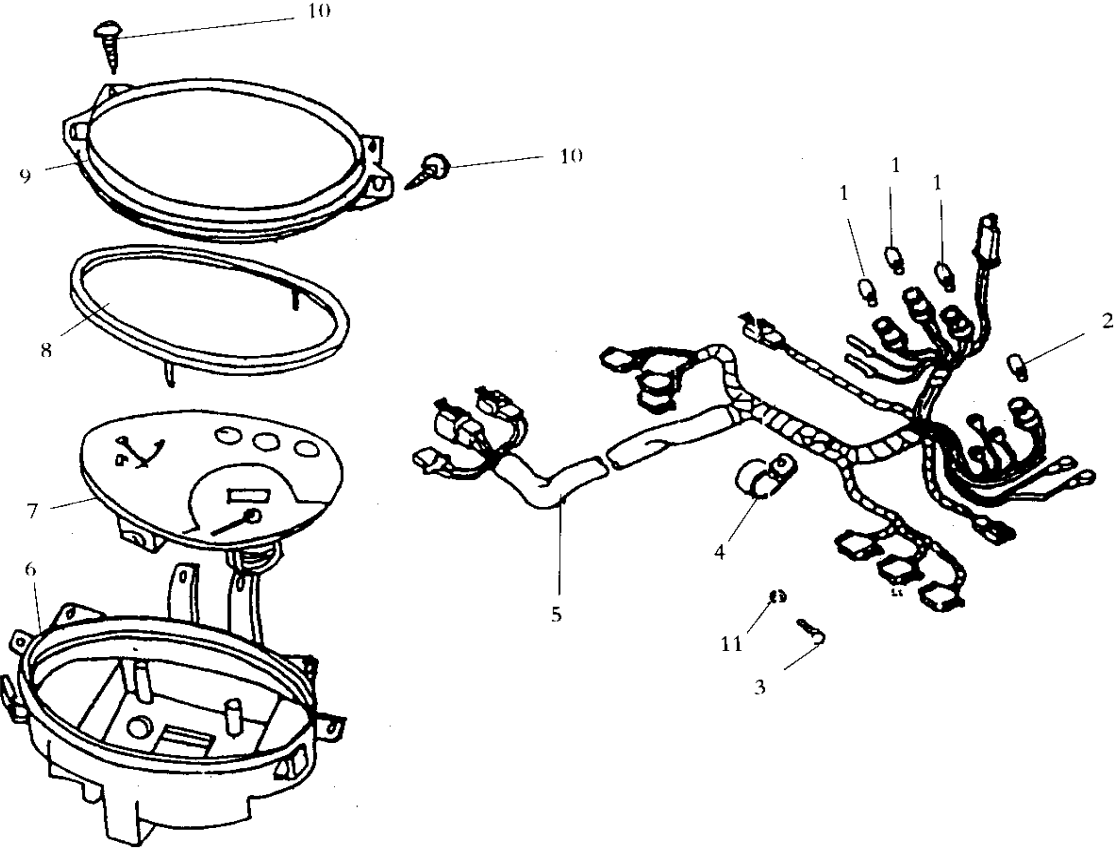
F09 METER ASSY

REF	PART NUMBER	DESCRIPTION	QTY	2004	2005
9-1	SGI.25.01	INDICATOR BULB A	3	3	3
9-2	SGI.25.02	INDICATOR BULB B	1	1	1
9-3	SGI.25.03	BOLT M5 X 20	1	1	1
9-4	SGI.25.04	CLAMP LEAD	1	1	1
9-5	SGI.25.05	WIRE HARNESS, METER	1	1	1
9-6	SGI.25.06	METER HOUSING	1	1	1
9-7	SGI.25.07	METER	1	1	1
9-8	SGI.25.08	PLATE COMP REFLECTING	1	1	1
9-9	SGI.25.09	LENS	2	2	2
9-10	SGI.25.10	SCREW	2	2	2
9-11	SGI.25.11	NUT M5	1	1	1



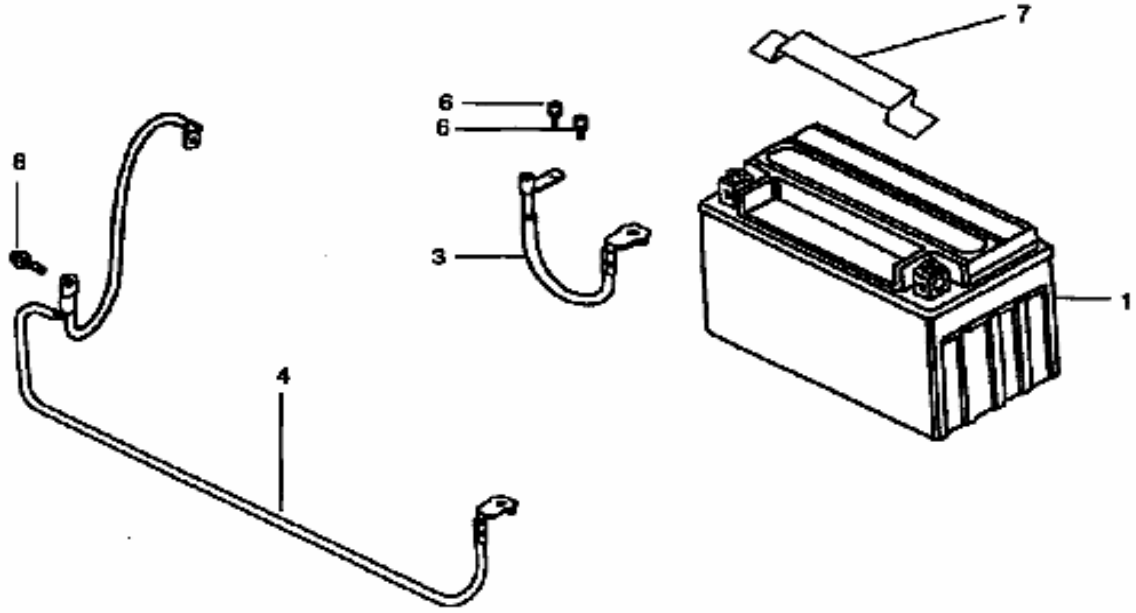
Enlarged figure
Next page

F09 METER ASSY



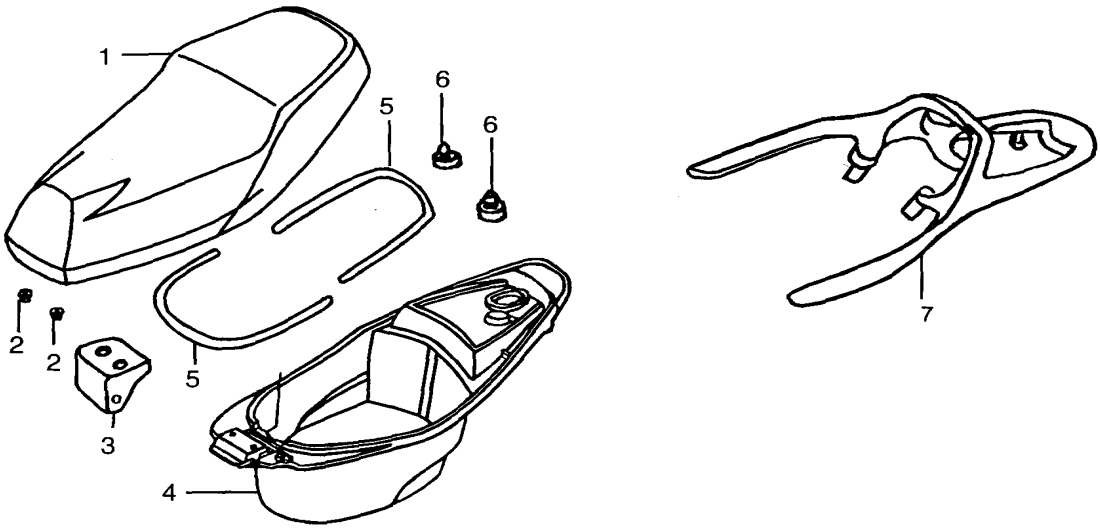
F10 BATTERY

REF	PART NUMBER	DESCRIPTION	QTY	2004	2005
10-1	SGI.26.01	BATTERY	1	1	1
10-3	SGI.26.02	CABLE, BATTERY	1	1	1
10-4	SGI.26.03	CABLE, EARTH	1	1	1
10-6	SGI.26.04	SOCKET HEAD, CAPSCREW	2	2	2
10-7	SGI.26.05	BAND, BATTERY	1	1	1
10-8	SGI.26.06	BOLT	1	1	1



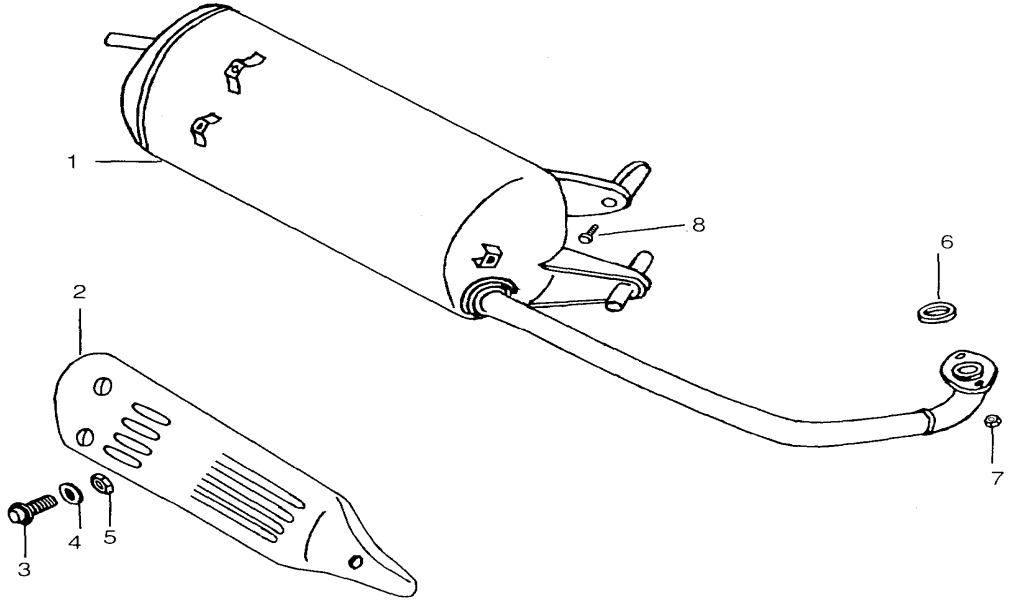
F11 SEAT

REF	PART NUMBER	DESCRIPTION	QTY	2004	2005
	SGI.27.01	CUSHION	1	1	1
	SGI.27.01-BL	CUSHION BLUE BLACK			1
	SGI.27.01-BL	CUSHION RED BLACK			1
	SGI.27.01-YW	CUSHION BLUE YELLOW			1
11-1	SGI.27.01-BL	CUSHION GRAY BLACK			1
11-2	SGI.27.02	NUT	2	2	2
11-3	SGI.27.03	BRACKET	1	1	1
11-4	SGI.27.04	LUGGAGE BOX	1	1	1
11-5	SGI.27.05	RUBBER BAND	2	2	2
11-6	SGI.27.06	RUBBER PAD	2	2	2
11-7	SGI.27.07	REAR RAIL	1	1	1



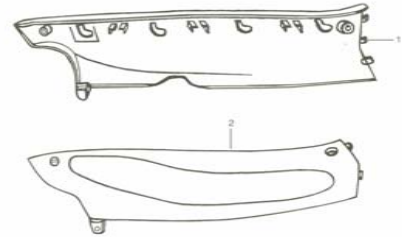
F12 EX. MUFFLER

REF	PART NUMBER	DESCRIPTION	QTY	2004	2005
12-1	SGI.28.01	EX. MUFFLER	1	1	1
12-2	SGI.28.02	GUARD EX PIPE	1	1	1
12-3	SGI.28.03	BOLT	2	2	2
12-4	SGI.28.04	WASHER	2	2	2
12-5	SGI.28.05	NUT	2	2	2
12-6	SGI.28.06	WASHER	1	1	1
12-7	SGI.28.07	NUT	2	2	2
12-8	SGI.28.08	BOLT M8 X 90	1	1	1



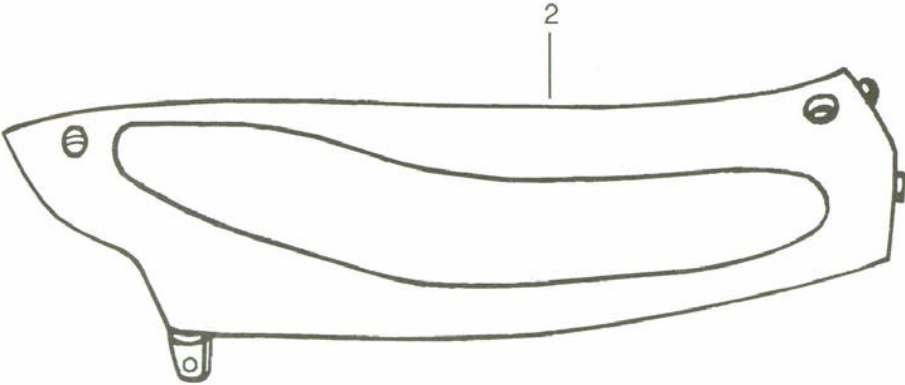
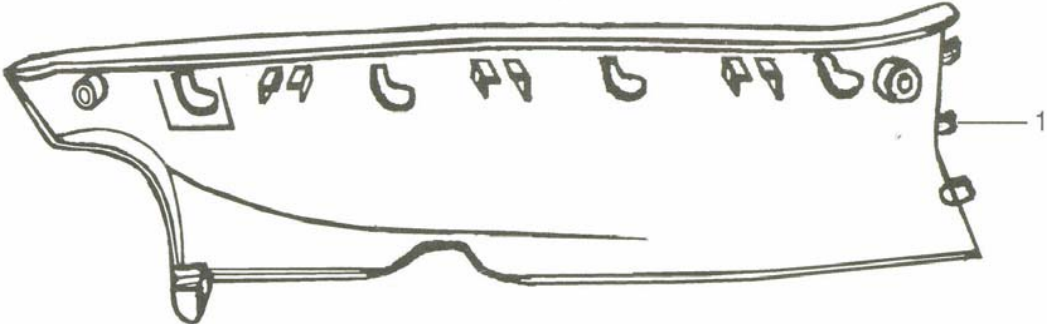
F13 L. & R. REAR PROTECTING BAR

REF	PART NUMBER	DESCRIPTION	QTY	2004	2005
13-1	SGI.29.01SV	REAR PROTECTING BAR (L) SILVER	1	1	1
	SGI.29.01BL	REAR PROTECTING BAR (L) BLACK	1	1	1
	SGI.29.01OR021C	REAR PROTECTING BAR (L) ORANGE 021C	1		1
	SGI.29.01RD485C	REAR PROTECTING BAR (L) RED 485C	1		1
	SGI.29.01BU662C	REAR PROTECTING BAR (L) BLUE 662C	1		1
	SGI.29.01GY433C	REAR PROTECTING BAR (L) GRAY 433C	1		1
13-2	SGI.29.02SV	REAR PROTECTING BAR (R) SILVER	1	1	1
	SGI.29.02BL	REAR PROTECTING BAR (R) BLACK	1	1	1
	SGI.29.02OR021C	REAR PROTECTING BAR (R) ORANGE 021C	1		1
	SGI.29.02RD485C	REAR PROTECTING BAR (R) RED 485C	1		1
	SGI.29.02BU662C	REAR PROTECTING BAR (R) BLUE 662C	1		1
	SGI.29.02GY433C	REAR PROTECTING BAR (R) GRAY 433C	1		1



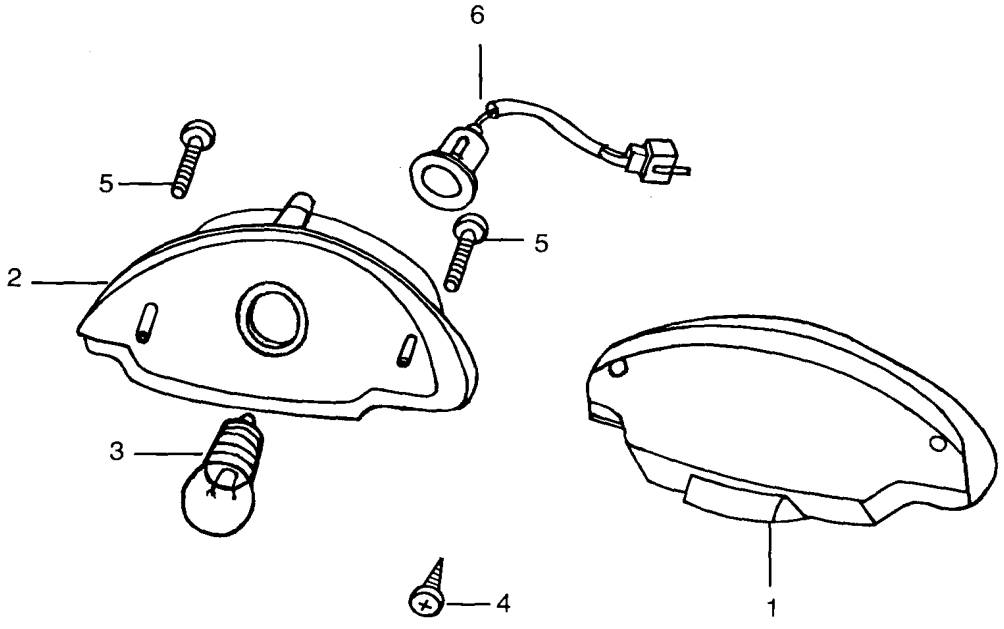
Enlarged figure
next page

F13 L. & R. REAR PROTECTING BAR



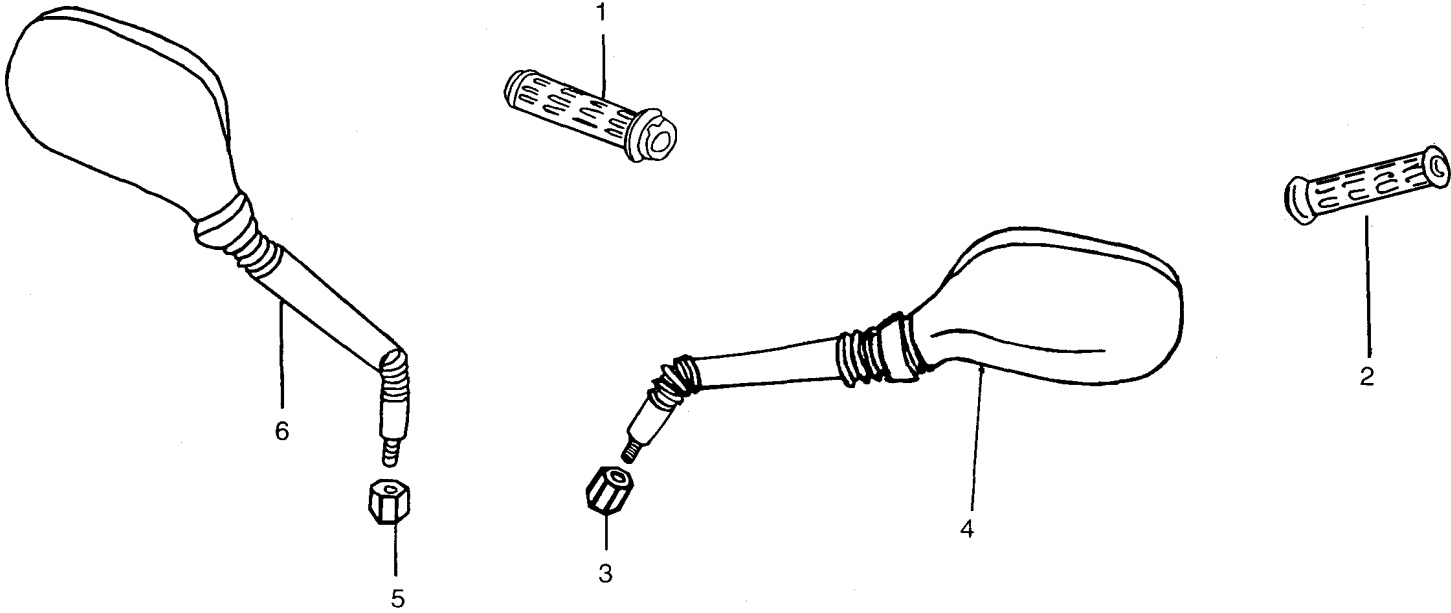
F14 TAIL LIGHT

REF	PART NUMBER	DESCRIPTION	QTY	2004	2005
14-1	SGI.30.01	COVER, TAILLIGHT	1	1	1
14-2	SGI.30.02	BASE COMP, TAILLIGHT	1	1	1
14-3	SGI.30.03	BULB	1	1	1
14-4	SGI.30.04	SCREW	1	1	1
14-5	SGI.30.05	SCREW	2	2	2
14-6	SGI.30.06	SOCKET COMP	1	1	1



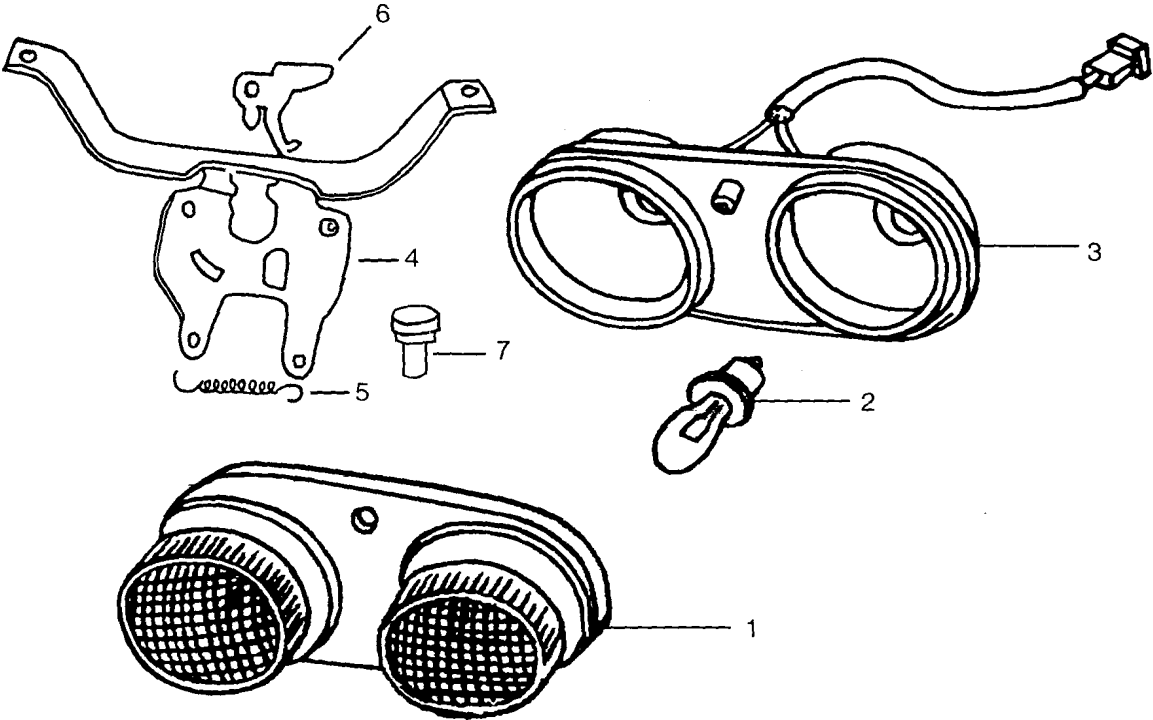
F15 MIRROR COMP

REF	PART NUMBER	DESCRIPTION	QTY	2004	2005
15-1	SGI.31.01	GRIP L. HANDLE	1	1	1
15-2	SGI.31.02	GRIP R.R. HANDLE	1	1	1
15-3	SGI.31.03	ADJUSTING NUT	1	1	1
15-4	SGI.31.04	MIRROR ASSY, L.	1	1	1
15-5	SGI.31.05	ADJUSTING NUT	1	1	1
15-6	SGI.31.06	MIRROR ASSY, R.	1	1	1



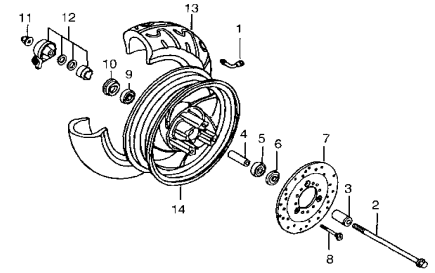
F16 HEADLIGHT

REF	PART NUMBER	DESCRIPTION	QTY	2004	2005
16-1	SGI.32.01	COVER, HEADLIGHT	1	1	1
16-2	SGI.32.02	BULB HEADLIGHT	1	1	1
16-3	SGI.32.03	CASE, HEADLIGHT	1	1	1
16-4	SGI.32.04	LOCK BASE	1	1	1
16-5	SGI.32.05	SPRING	1	1	1
16-6	SGI.32.06	LOCK PIECE	1	1	1
16-7	SGI.32.07	PIN SHAFT	1	1	1



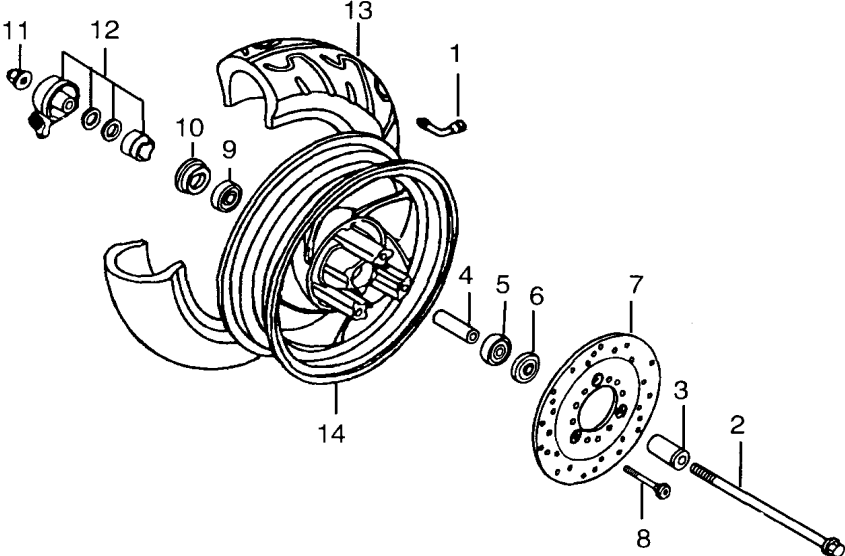
F17 FRONT WHEEL

REF	PART NUMBER	DESCRIPTION	QTY	2004	2005
17-1	SGI.33.01	VALVE STEM	1	1	1
17-2	SGI.33.02	AXLE BOLT	1	1	1
17-3	SGI.33.03	BUSH, SHAFT	1	1	1
17-4	SGI.33.04	SPACER, SHAFT	1	1	1
17-5	SGI.33.05	BEARING	1	1	1
17-6	SGI.33.06	DUST SEAL	1	1	1
17-7	SGI.33.07	DISK, FR. BRAKE	1	1	1
17-8	SGI.33.08	BOLT	3	3	3
17-9	SGI.33.09	BEARING	1	1	1
17-10	SGI.33.10	SEAL, DRIVING GEAR BOX FOR MILEOMETER	1	1	1
17-11	SGI.33.11	NUT	1	1	1
17-12	SGI.33.12	DRIVING, GEAR BOX ASSY FOR SPEEDOMETE	1	1	1
17-13	SGI.33.13	TIRE FR	1	1	1
17-14	SGI.33.14	RIM FR. WHEEL	1	1	1
	SGI.38.01YW3965C	RIM RR YELLOW 3965C	1		1



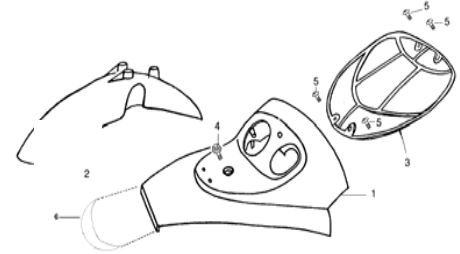
Enlarged figure
Next page

F17 FRONT WHEEL



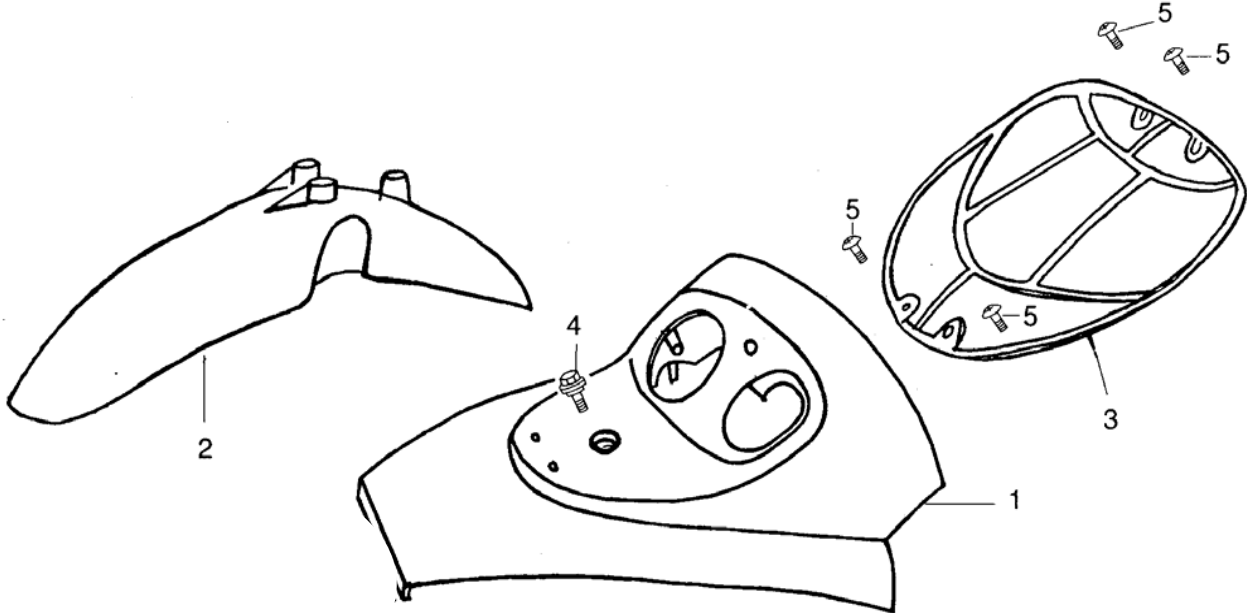
F18 COVER FR.

REF	PART NUMBER	DESCRIPTION	QTY	2004	2005
18-1	SGI.34.01	COVER FR.RED	1	1	1
	SGI.34.01YW	COVER FR.YELLOW	1	1	1
	SGI.34.01BU	COVER FR.BLUE	1	1	1
	SGI.34.01OR021C	COVER FR. ORANGE 021C	1		1
	SGI.34.01RD485C	COVER FR. RED 485C	1		1
	SGI.34.01BU662C	COVER FR. BLUE 662C	1		1
	SGI.34.01GY433C	COVER FR. GRAY 433C	1		1
18-2	SGI.34.02SV	FENDER, FR. SILVER	1	1	1
	SGI.34.02BL	FENDER, FR. BLACK	1	1	1
	SGI.34.02OR021C	FENDER, FR. ORANGE 021C	1		1
	SGI.34.02RD485C	FENDER, FR. RED 485C	1		1
	SGI.34.02BU662C	FENDER, FR. BLUE 662C	1		1
	SGI.34.02GY433C	FENDER, FR. GRAY 433C	1		1
18-3	SGI.34.03	SCREEN, HEAD LAMP	1	1	1
18-4	SGI.34.04	SCREW M6	1	1	1
18-5	SGI.34.05	SCREW M6X20	4	4	4



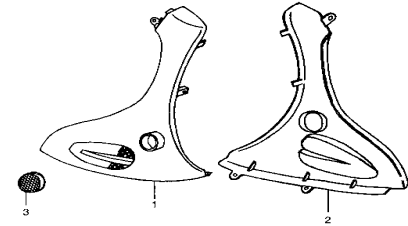
Enlarged figure
next page

F18 COVER FR.



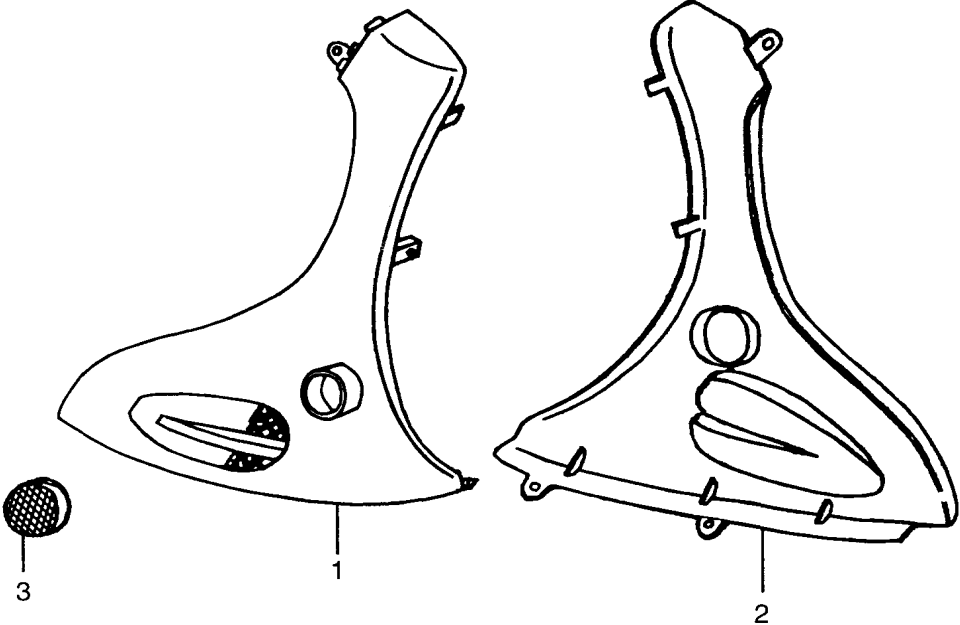
F19 L. & R. FRONT PROTECTING BAR

REF	PART NUMBER	DESCRIPTION	QTY	2004	2005
19-1	SGI.35.01SV	L. PROTECTING BAR SILVER	1	1	1
	SGI.35.01BL	L. PROTECTING BAR BLACK	1	1	1
	SGI.35.01OR021C	L. PROTECTING BAR ORANGE 021C	1		1
	SGI.35.01RD485C	L. PROTECTING BAR RED 485C	1		1
	SGI.35.01BU662C	L. PROTECTING BAR BLUE 662C	1		1
	SGI.35.01GY433C	L. PROTECTING BAR GRAY 433C	1		1
19-2	SGI.35.02SV	R. PROTECTING BAR SILVER	1	1	1
	SGI.35.02BL	LR PROTECTING BAR BLACK	1	1	1
	SGI.35.02OR021C	LR PROTECTING BAR ORANGE 021C	1		1
	SGI.35.02RD485C	LR PROTECTING BAR RED 485C	1		1
	SGI.35.02BU662C	LR PROTECTING BAR BLUE 662C	1		1
	SGI.35.02GY433C	LR PROTECTING BAR GRAY 433C	1		1
19-3	SGI.35.03	SIDE REFLECTOR	1		1



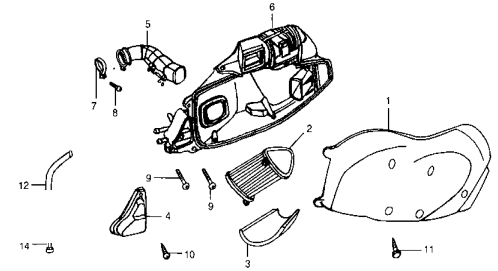
Enlarged figure
next page

F19 L. & R. FRONT PROTECTING BAR



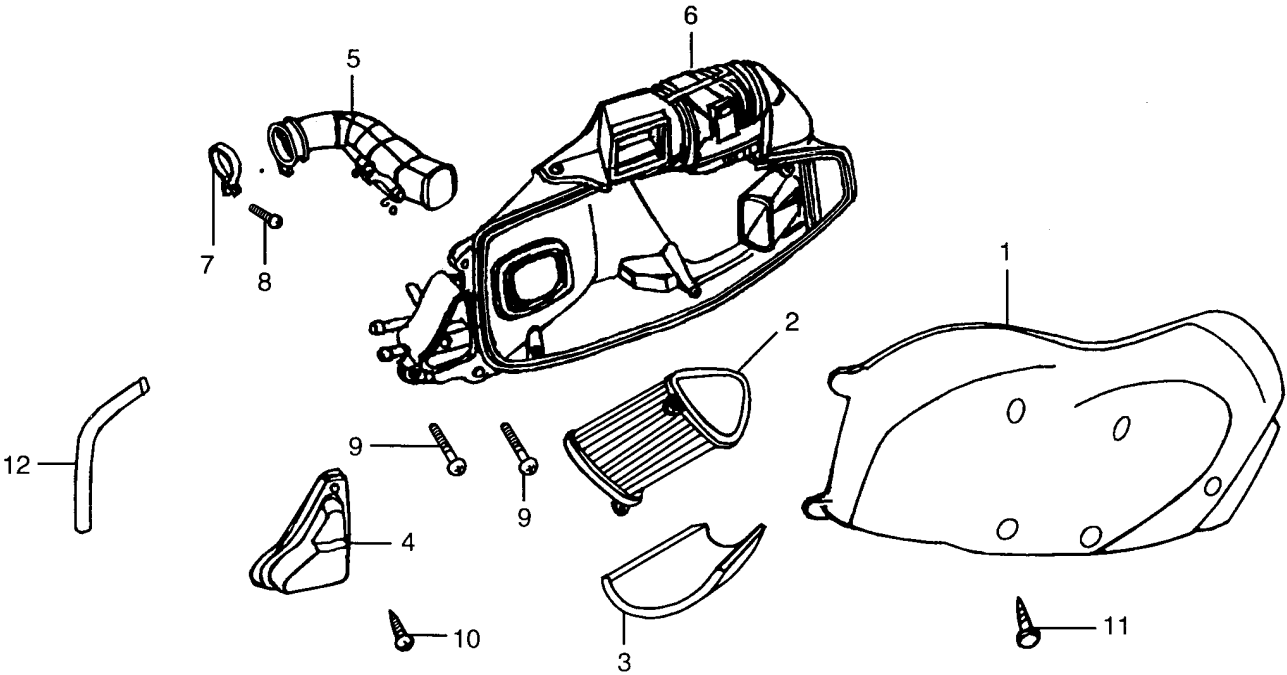
F20 AIR CLEANER

REF	PART NUMBER	DESCRIPTION	QTY	2004	2005
20-1	SGI.36.01	COVER, AIR CLEANER	1	1	1
20-2	SGI.36.02	FILTER ELEMENT COMP., AIR CLEANER	1	1	1
20-3	SGI.36.03	FILTER ELEMENT, AIR CLEANER	1	1	1
20-4	SGI.36.04	COVER, INLET CHAMBER	1	1	1
20-5	SGI.36.05	CONNECTING TUBE, AIR CLEANER	1	1	1
20-6	SGI.36.06	CASE COMP., AIR CLEANER	1	1	1
20-7	SGI.36.07	CONNECTING BAND AIR CLEANER	1	1	1
20-8	SGI.36.08	SCREW	1	1	1
20-9	SGI.36.09	SCREW	2	2	2
20-10	SGI.36.10	SCREW	1	1	1
20-11	SGI.36.11	SCREW	5	5	5
20-12	SGI.36.12	TUBE, BREATHER	1	1	1



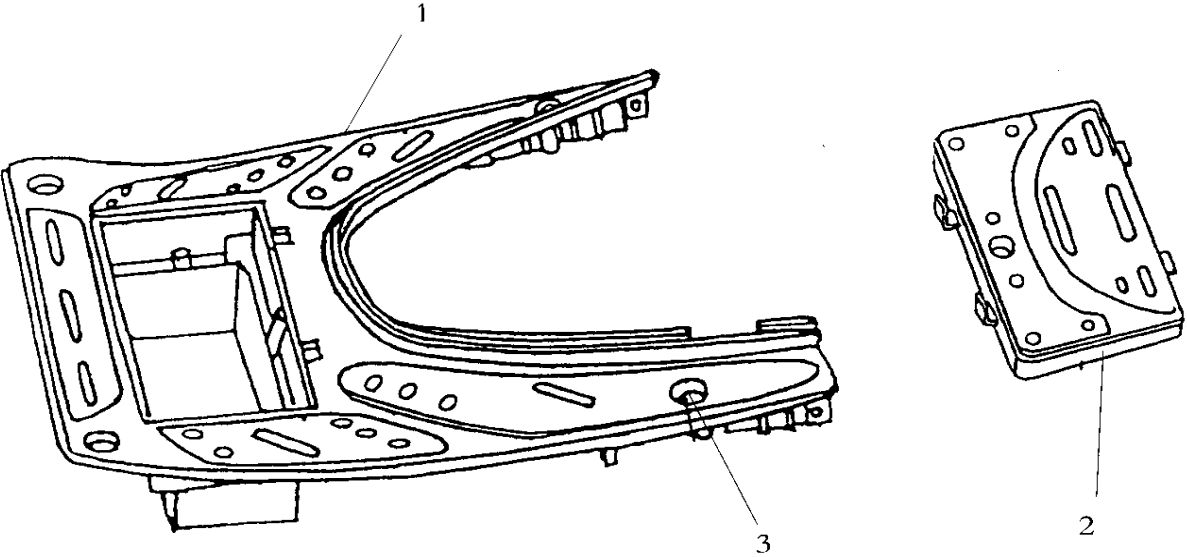
Enlarged figure
Next page

F20 AIR CLEANER



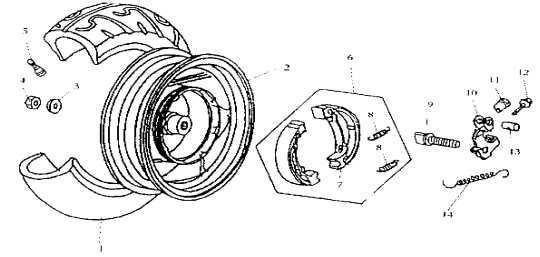
F21 FOOTREST

REF	PART NUMBER	DESCRIPTION	QTY	2004	2005
21-1	SGI.37.01	FOOTREST	1	1	1
21-2	SGI.37.02	COVER, BATTERY	1	1	1
21-3	SGI.37.03	BOLT	4	4	4



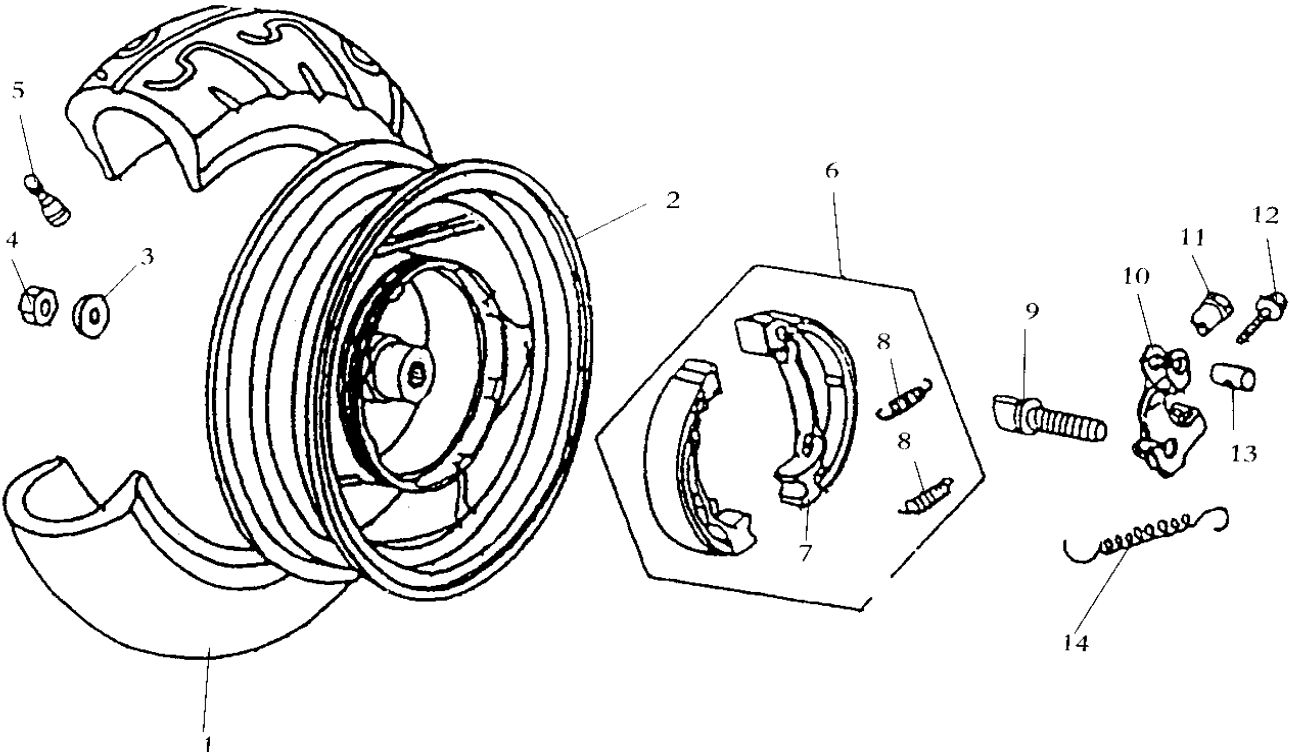
F22 REAR WHEEL

REF	PART NUMBER	DESCRIPTION	QTY	2004	2005
22-1	SGI.38.01	TIRE RR	1	1	1
	SGI.38.02	RIM RR	1	1	1
22-2	SGI.38.02YW3965C	RIM RR YELLOW 3965C	1		1
22-3	SGI.38.03	WASHER	1	1	1
22-4	SGI.38.04	NUT	1	1	1
22-5	SGI.38.05	VALVE STEM	1	1	1
22-6	SGI.38.06	BRAKE BLOCK SET	1	1	1
22-7	SGI.38.07	BRAKE BLOCK	2	2	2
22-8	SGI.38.08	SPRING RR. BRAKE	2	2	2
22-9	SGI.38.09	CAM. RR. BRAKE	1	1	1
22-10	SGI.38.10	ROCKER, COMP, RR. BRAKE	1	1	1
22-11	SGI.38.11	ADJUSTING NUT, RR. BRAKE ROD	1	1	1
22-12	SGI.38.12	BOLT	1	1	1
22-13	SGI.38.13	PIN RR. BRAKE ROD	1	1	1
22-14	SGI.38.14	RETURN SPRING, RR. BRAKE ROCKER	1	1	1



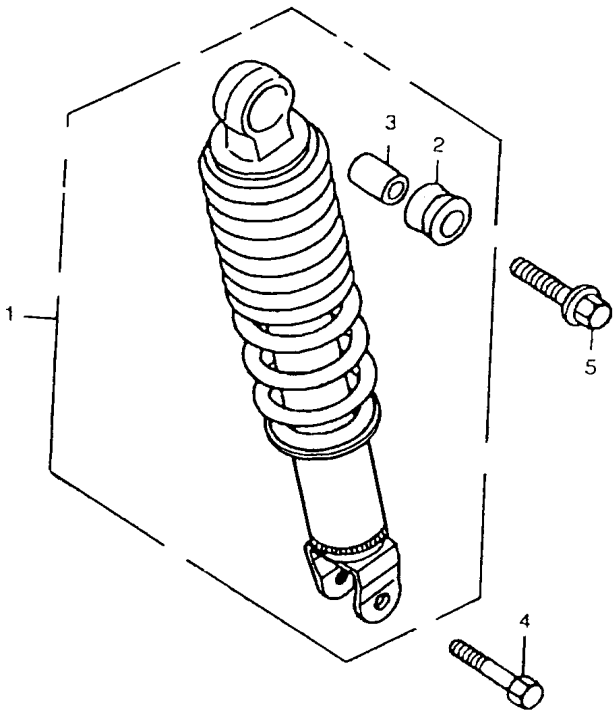
Enlarged figure
Next page

F22 REAR WHEEL



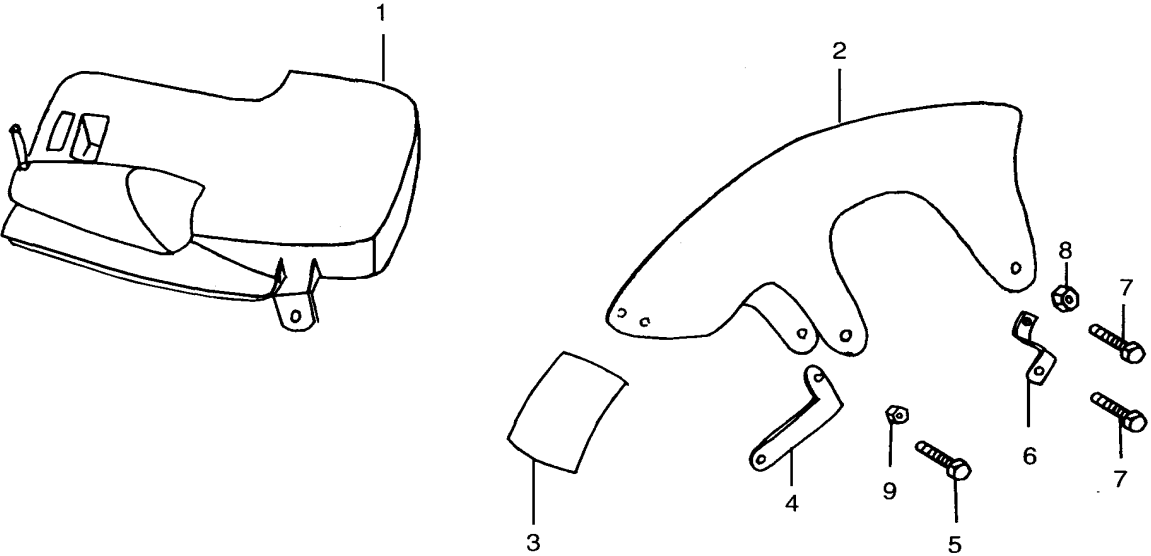
F23 REAR SHOCK ABSORBER

REF	PART NUMBER	DESCRIPTION	QTY	2004	2005
23-1	SGI.39.01	RR, SHOCK ABROBER ASSY	1	1	1
23-2	SGI.39.02	RUBBER BUSH	1	1	1
23-3	SGI.39.03	BUSH, SHAFT	1	1	1
23-4	SGI.39.04	BOLT, HEX 8 X 32	1	1	1
23-5	SGI.39.05	BOLT 10 X 35	1	1	1



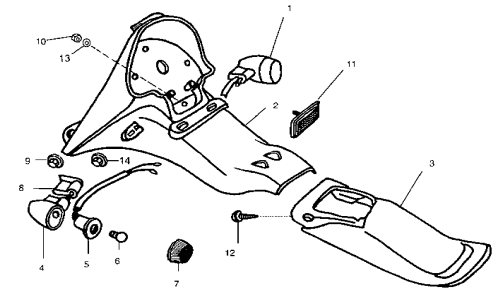
F24 REAR FENDER (I)

REF	PART NUMBER	DESCRIPTION	QTY	2004	2005
24-1	SGI.40.01	REAR FENDER	1	1	1
24-2	SGI.40.02	REAR FENDER	1	1	1
24-3	SGI.40.03	WATER GUARD	1	1	1
24-4	SGI.40.04	MOUNTING PLATE (A)	1	1	1
24-5	SGI.40.05	BOLT	1	1	1
24-6	SGI.40.06	MOUNTING PLATE (B)	1	1	1
24-7	SGI.40.07	BOLT	2	2	2
24-8	SGI.40.08	NUT	1	1	1
24-9	SGI.40.09	NUT	1	1	1



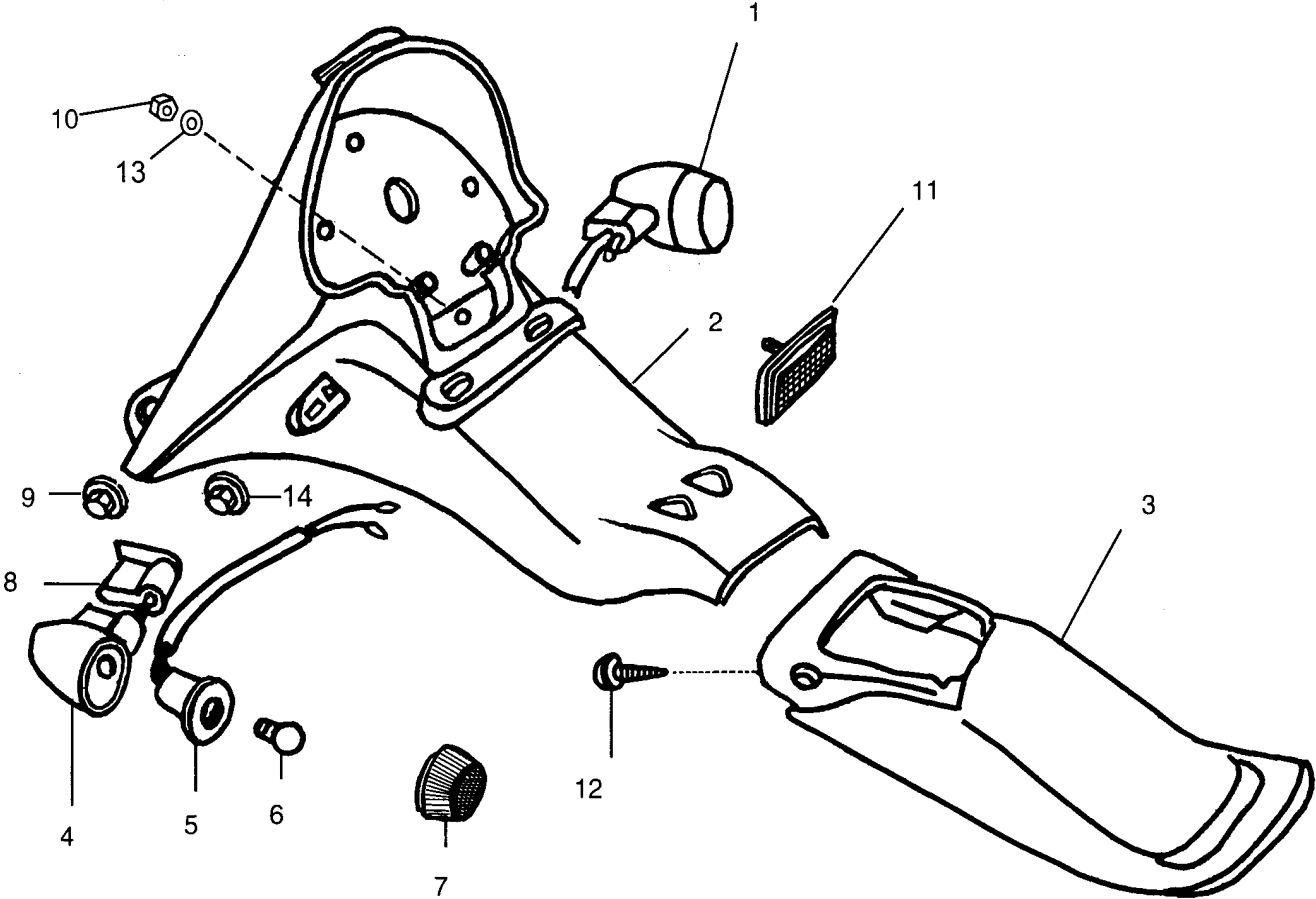
F25 REAR FENDER (II)

REF	PART NUMBER	DESCRIPTION	QTY	2004	2005
25-1	SGL.41.01	L. REAR TURNING SIGNAL LAMP ASSY	1	1	1
25-2	SGL.41.02	REAR FENDER	1	1	1
25-3	SGL.41.03	REAR FENDER	1	1	1
25-4	SGL.41.04	CASE, R. TURNING SIGNAL LAMP	1	1	1
25-5	SGL.41.05	BASE R. TURNING SIGNAL LAMP	1	1	1
25-6	SGL.41.06	BULB	1	1	1
25-7	SGL.41.07	COVER, R. TURNING SIGNAL LAMP	1	1	1
25-8	SGL.41.08	CONNECTING PLATE	2	2	2
25-9	SGL.41.09	NUT	2	2	2
25-10	SGL.41.10	NUT	1	1	1
25-11	SGL.41.11	REAR REFLECTOR	1	1	1
25-12	SGL.41.12	SCREW	2	2	2
25-13	SGL.41.13	WASHER	1	1	1
25-14	SGL.41.14	WASHER	1	1	1



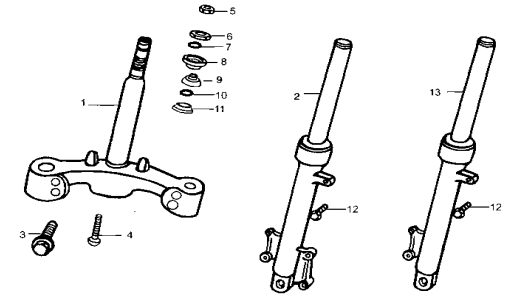
Enlarged figure
Next page

F25 REAR FENDER (II)



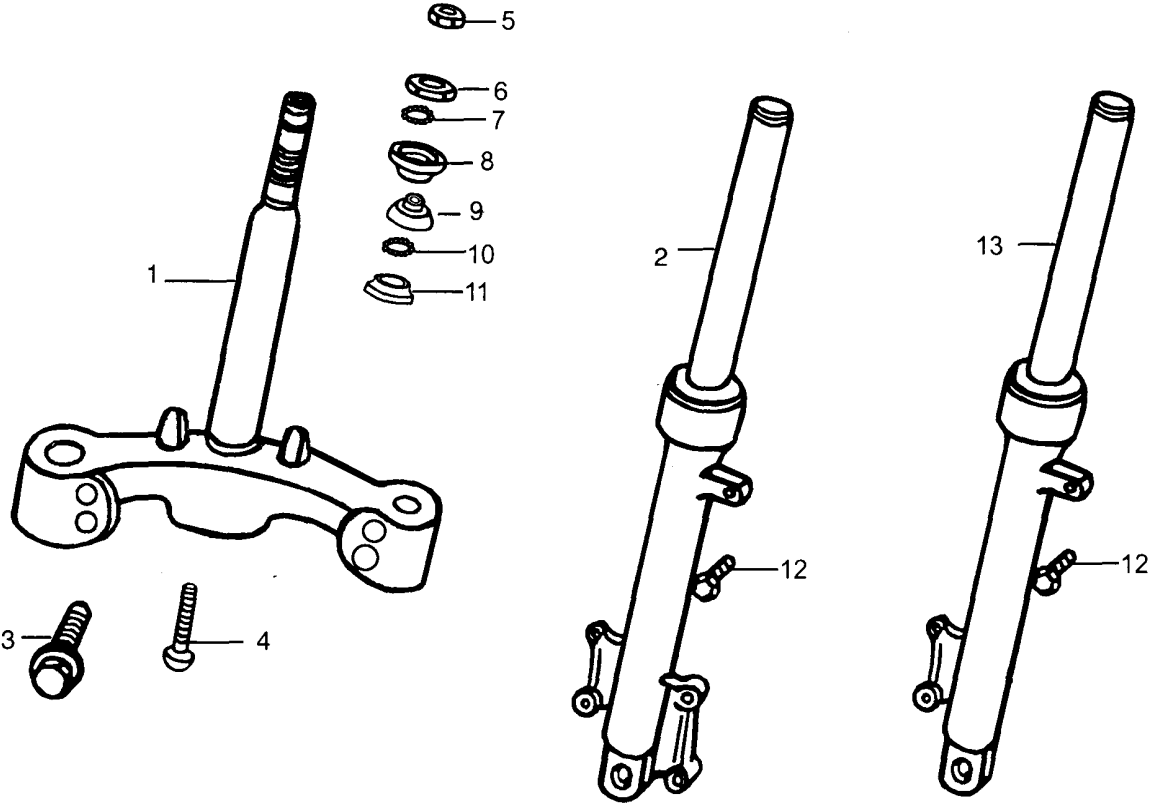
F26 STEERING STEM AND FR. SHOCK ABSORBER

REF	PART NUMBER	DESCRIPTION	QTY	2004	2005
26-1	SGL.42.01	STEERING STEM	1	1	1
26-2	SGL.42.02	FR. SHOCK ABSORBER ASSY	1	1	1
26-3	SGL.42.03	BOLT	1	1	1
26-4	SGL.42.04	SCREW	1	1	1
26-5	SGL.42.05	LOCKING NUT STEERING STEM	1	1	1
26-6	SGL.42.06	TOP PAD TOP BEARING STEERING STEM	1	1	1
26-7	SGL.42.07	STEEL BALL ASSY STEERING STEM	1	1	1
26-8	SGL.42.08	RACE STEERING BOTTOM CONE	1	1	1
26-9	SGL.42.09	RACE STEERING TOP CONE	1	1	1
26-10	SGL.42.10	BALL ASSY STEERING STEM	1	1	1
26-11	SGL.42.11	RACE STEERING STEM	1	1	1
26-12	SGL.42.12	BOLT	2	2	2
26-13	SGL.42.13	FR. SHOCK ABSORBER ASSY	1	1	1



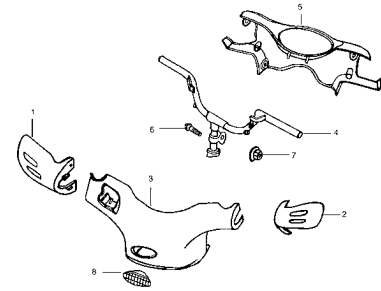
Enlarged figure
Next page

F26 STEERING STEM AND FR. SHOCK ABSORBER



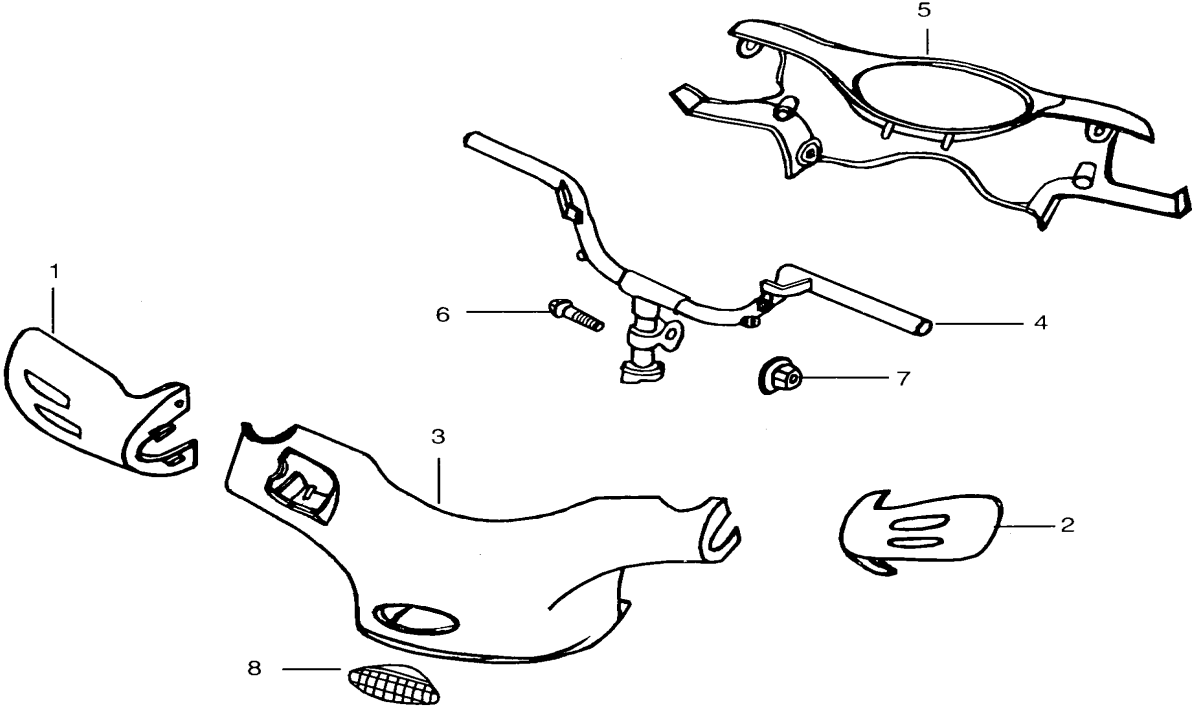
F27 STEERING HANDLE

REF	PART NUMBER	DESCRIPTION	QTY	2004	2005
27-1	SGI.43.01SV	RIGHT HANDLE SHIELD SILVER	1	1	1
	SGI.43.01BL	RIGHT HANDLE SHIELD BLACK	1	1	1
	SGI.43.01OR021C	RIGHT HANDLE SHIELD ORANGE 021C			1
	SGI.43.01RD485C	RIGHT HANDLE SHIELD RED 485C			1
	SGI.43.01BU662C	RIGHT HANDLE SHIELD BLUE 662C			1
	SGI.43.01GY433C	RIGHT HANDLE SHIELD GRAY 433C			1
27-2	SGI.43.02SV	LEFT HANDLE SHIELD SILVER	1	1	1
	SGI.43.02BL	LEFT HANDLE SHIELD BLACK	1	1	1
	SGI.43.02OR021C	LEFT HANDLE SHIELD ORANGE 021C			1
	SGI.43.02RD485C	LEFT HANDLE SHIELD RED 485C			1
	SGI.43.02BU662C	LEFT HANDLE SHIELD BLUE 662C			1
	SGI.43.02GY433C	LEFT HANDLE SHIELD GRAY 433C			1
27-3	SGI.43.03RD	FR. LIGHT COVER RED	1	1	1
	SGI.43.03BU	FR. LIGHT COVER BLUE	1	1	1
	SGI.43.03YW	FR. LIGHT COVER YELLOW	1	1	1
	SGI.43.03OR021C	FR. LIGHT COVER ORANGE 021C			1
	SGI.43.03RD485C	FR. LIGHT COVER RED 485C			1
	SGI.43.03BU662C	FR. LIGHT COVER BLUE 662C			1
	SGI.43.03GY433C	FR. LIGHT COVER GRAY 433C			1
27-4	SGI.43.05	STEERING HANDLE	1	1	1
27-6	SGI.43.06	SCREW	1	1	1
27-7	SGI.43.07	NUT	1	1	1
27-8	SGI.43.08	FR. POSITION LIGHT	1	1	1



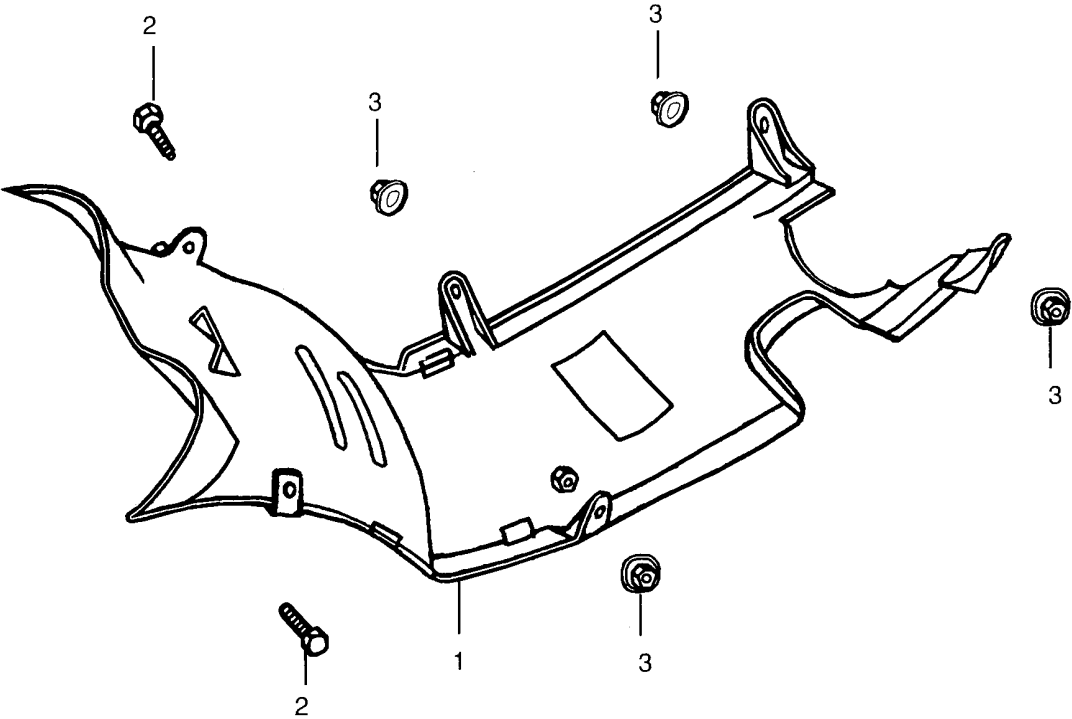
Enlarged figure
next page

F27 STEERING HANDLE



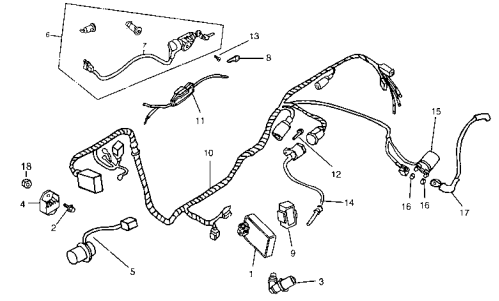
F28 FENDER FOR FRAME

REF	PART NUMBER	DESCRIPTION	QTY	2004	2005
28-1	SGI.44.01	FENDER	1	1	1
28-2	SGI.44.02	SCREW	2	2	2
28-3	SGI.44.03	BOLT	4	4	4



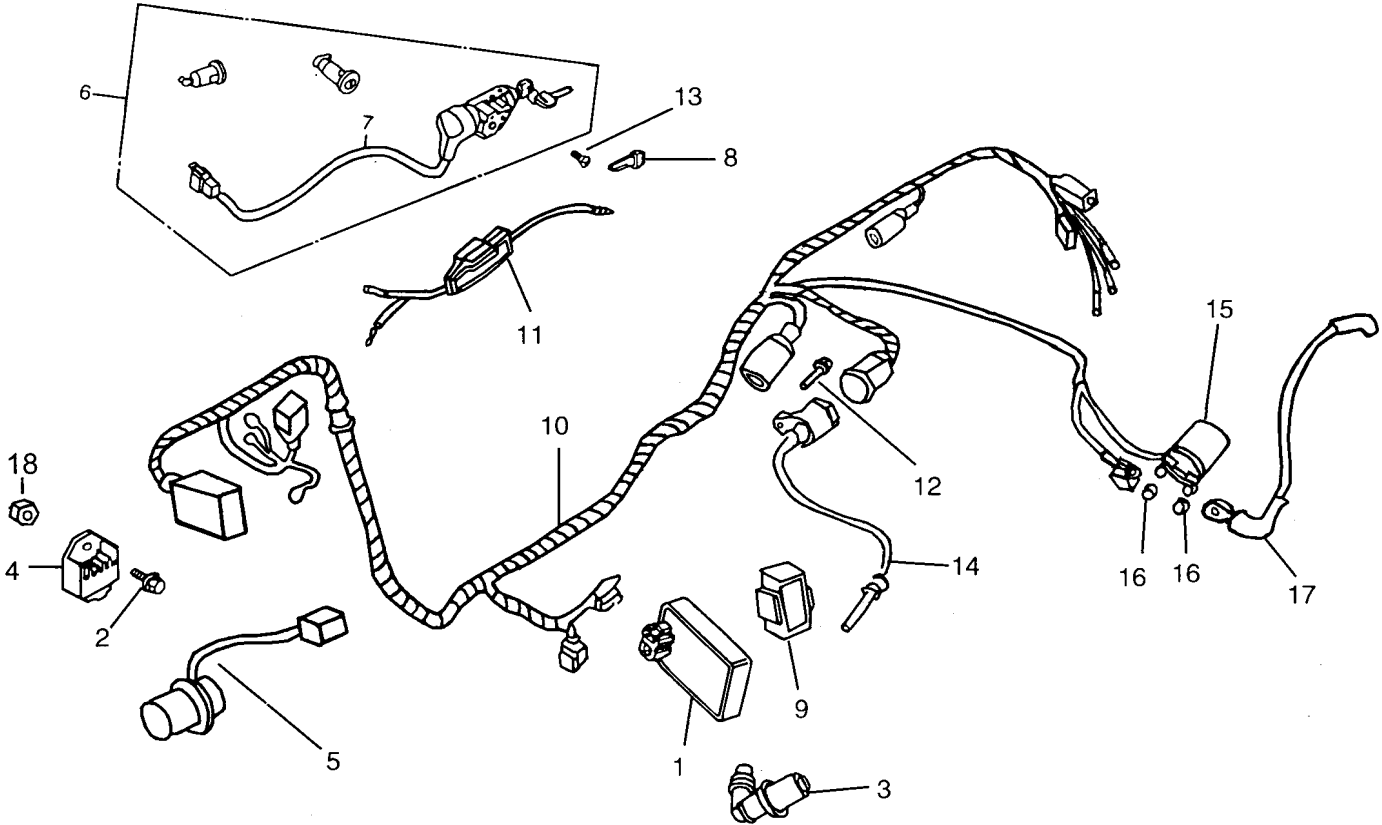
F29 WIRE HARNESS

REF	PART NUMBER	DESCRIPTION	QTY	2004	2005
29-1	SGL.45.01	C.D.I.	1	1	1
29-2	SGL.45.02	BOLT	1	1	1
29-3	SGL.45.03	CAP ASSY, SPARK PLUG	1	1	1
29-4	SGL.45.04	REGULATOR COMP	1	1	1
29-5	SGL.45.05	FLASHER	1	1	1
29-6	SGL.45.06	KEY SET	1	1	1
29-7	SGL.45.07	SWITCH ASSY, COMBINATION LOCK	1	1	1
29-8	SGL.45.08	KEY	1	1	1
29-9	SGL.45.09	RUBBER GROOVE	1	1	1
29-10	SGL.45.10	HARNESS WIRE	1	1	1
29-11	SGL.45.11	RESISTOR COMP	1	1	1
29-12	SGL.45.12	BOLT	1	1	1
29-13	SGL.45.13	SCREW	1	1	1
29-14	SGL.45.14	IGNITION COIL COMP	1	1	1
29-15	SGL.45.15	RELAY	1	1	1
29-16	SGL.45.16	NUT	1	1	1
29-17	SGL.45.17	HARNESS WIRE	1	1	1
29-18	SGL.45.18	NUT	1	1	1



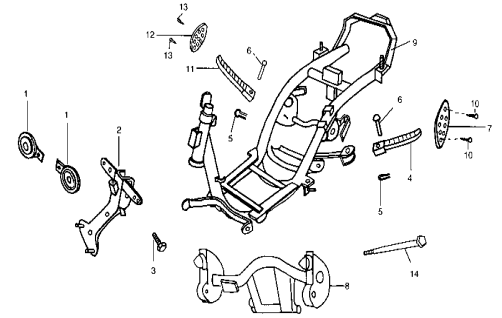
Enlarged figure
Next page

F29 WIRE HARNESS



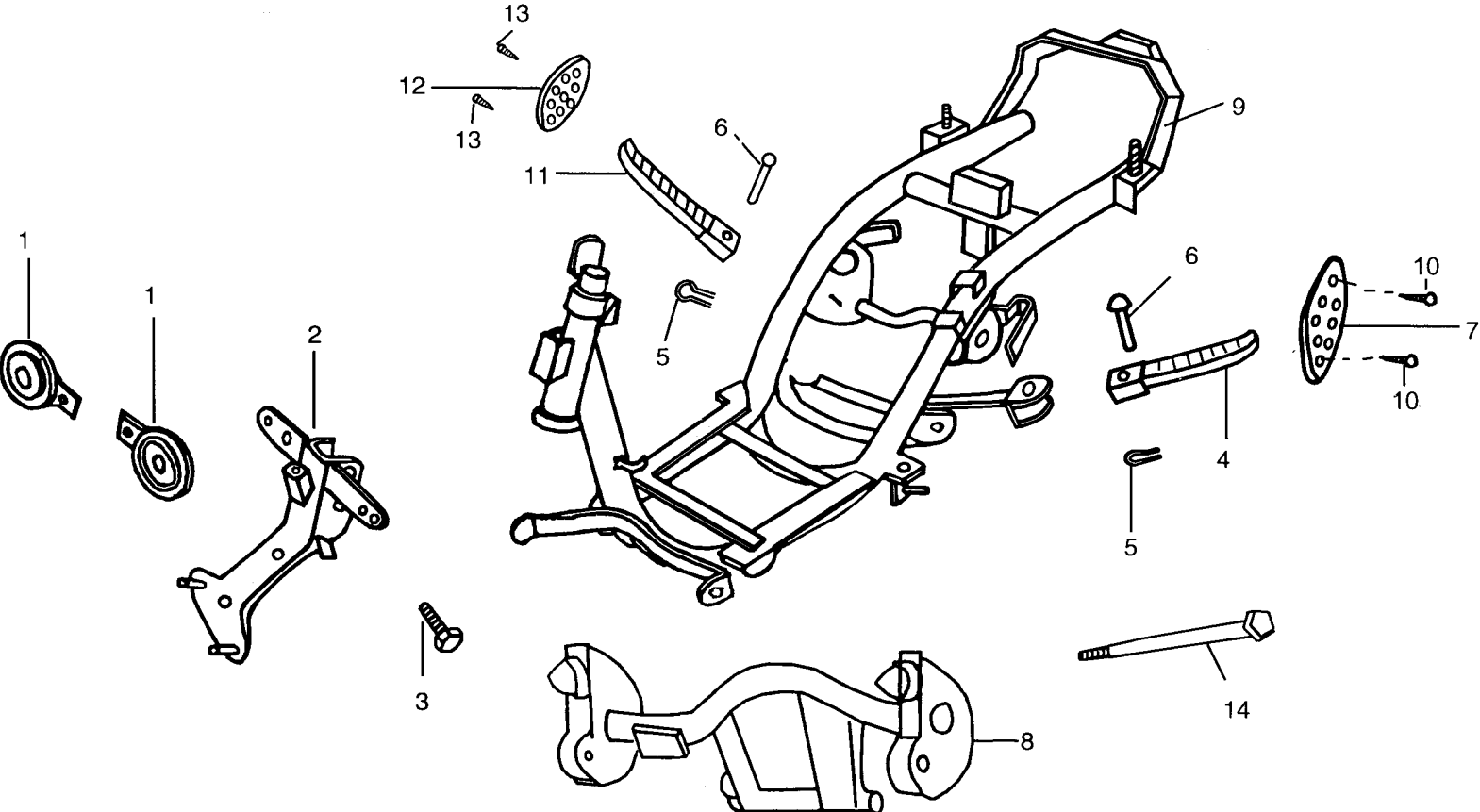
F30 FRAME

REF	PART NUMBER	DESCRIPTION	QTY	2004	2005
30-1	SGI.46.01	HORN COMP	2	2	2
30-2	SGI.46.02	HORN HOLDER	1	1	1
30-3	SGI.46.03	BOLT	2	2	2
30-4	SGI.46.04	L, FOOTREST	1	1	1
30-5	SGI.46.05	PIN	1	1	1
30-6	SGI.46.06	PIN	1	1	1
30-7	SGI.46.07	L, DECORATION PLATE	1	1	1
30-8	SGI.46.08	HANGER COMP ENGINE	1	1	1
30-9	SGI.46.09	FRAME BODY	1	1	1
30-10	SGI.46.10	SCREW	1	1	1
30-11	SGI.46.11	R, FOOTREST	1	1	1
30-12	SGI.46.12	R, DECORATION PLATE	1	1	1
30-13	SGI.46.13	SCREW	2	2	2
30-14	SGI.46.14	BOLT, ENGINE HANGER	1	1	1



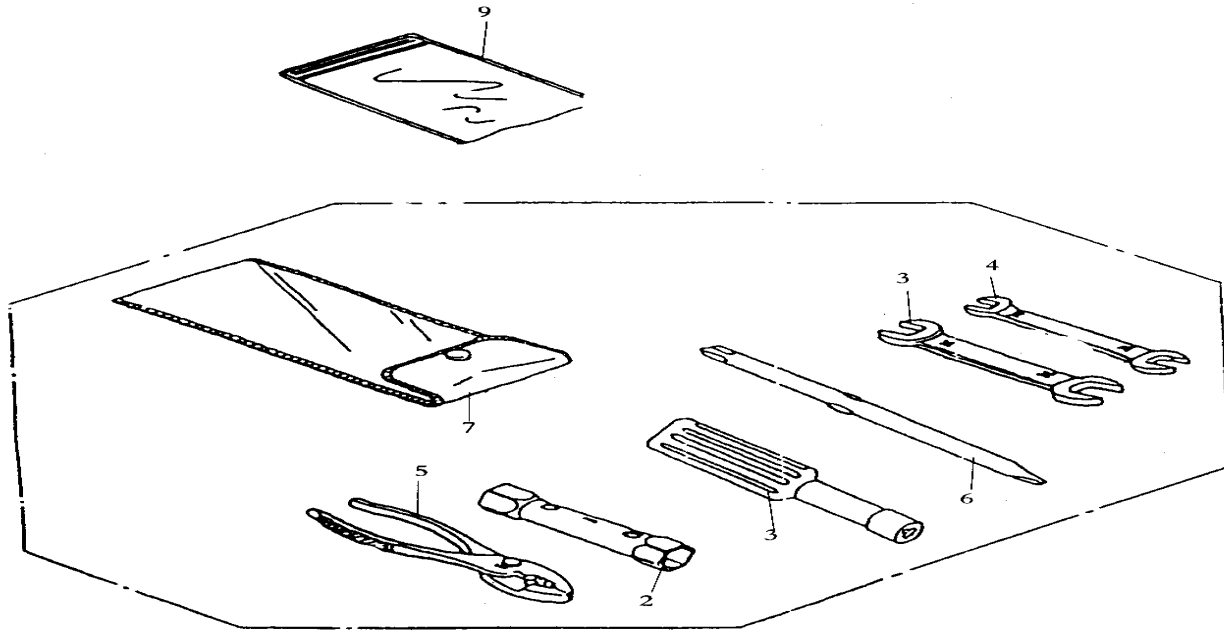
Enlarged figure
Next page

F30 FRAME



F31 TOOLS

REF	PART NUMBER	DESCRIPTION	QTY	2004	2005
31-1	SGI.47.01	TOOL SET	1	1	1
31-2	SGI.47.02	WRENCH, EYE (18X19)	1	1	1
31-3	SGI.47.03	12X14 SPANNER	1	1	1
31-4	SGI.47.04	SPANNER, 8X10	1	1	1
31-5	SGI.47.05	PLIERS, 165	1	1	1
31-6	SGI.47.06	SCREW DRIVER, DOUBLE USE	1	1	1
31-7	SGI.47.07	TOOL BAG	1	1	1
31-8	SGI.47.08	WRENCH BAR	1	1	1
31-9	SGI.47.09	BAG, SERVICE BOOK	1	1	1



F32 GRAPHICS

REF	PART NUMBER	DESCRIPTION	QTY	2005
32-1	UMPX0001-WH	GRAPHIC FRONT COVER R. WHITE	1	1
	UMPX0001-YW	GRAPHIC FRONT COVER R. YELLOW	1	1
32-2	UMPX0002-WH	GRAPHIC FRONT COVER L. WHITE	1	1
	UMPX0002-YW	GRAPHIC FRONT COVER L. YELLOW	1	1
32-3	UMPX0003-WH	GRAPHIC FRONT COVER SIDE R. WHITE	1	1
	UMPX0003-GYC10	GRAPHIC FRONT COVER SIDE R. GRAY C10	1	1
32-4	UMPX0004-WH	GRAPHIC FRONT COVER SIDE L. WHITE	1	1
	UMPX0004-GRC10	GRAPHIC FRONT COVER SIDE L. GRAY C10	1	1
32-5	UMPX0005-WH	GRAPHIC BACK COVER R. WHITE	1	1
	UMPX0005-YW	GRAPHIC BACK COVER R. YELLOW	1	1
32-6	UMPX0006-WH	GRAPHIC BACK COVER L. WHITE	1	1
	UMPX0006-YW	GRAPHIC BACK COVER L. YELLOW	1	1
32-7	UMPX0007-YW	GRAPHIC POWERMAX (YELLOW LETTERS) R.	1	1
32-8	UMPX0008-YW	GRAPHIC POWERMAX (YELLOW LETTERS) L.	1	1
32-9	UMPX0009	UNITED MOTORS GRAPHIC R.	1	1
32-10	UMPX0010	UNITED MOTORS GRAPHIC L.	1	1
32-11	UMPX0011	UM GRAPHICS FRONT COVER	1	1
32-12	UMPX0012-WH	#1 GRAPHIC BACK COVER SIDE R. WHITE	1	1
	UMPX0012-BL	#1 GRAPHIC BACK COVER SIDE R. BLACK	1	1
32-13	UMPX0013-WH	#1 GRAPHIC BACK COVER SIDE L. BLACK	1	1
	UMPX0013-BL	#1 GRAPHIC BACK COVER SIDE L. BLACK	1	1
32-14	UMPX0014-WH	#1 GRAPHIC FRONT COVER SIDE R. WHITE	1	1
	UMPX0014-BL	#1 GRAPHIC FRONT COVER SIDE R. BLACK	1	1
32-15	UMPX0015-WH	#1 GRAPHIC FRONT COVER SIDE L. WHITE	1	1
	UMPX0015-BL	#1 GRAPHIC FRONT COVER SIDE L. BLACK	1	1
32-16	UMPX0016	125 GRAPHIC BACK COVER SIDE R.	1	1
32-17	UMPX0017	126 GRAPHIC BACK COVER SIDE L.	1	1
32-18	UMPX0018	GP GRAPHIC BACK COVER SIDE R.	1	1
32-19	UMPX0019	GP GRAPHIC BACK COVER SIDE L.	1	1



Enlarged figure
next page

F32 GRAPHICS





www.umamerica.com

© 2004 UNITED MOTORS OF AMERICA, INC.