



PARTS CATALOG
UM X-PEED 50
2005



INDEX

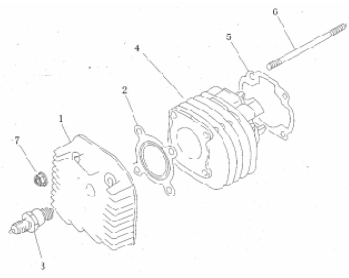
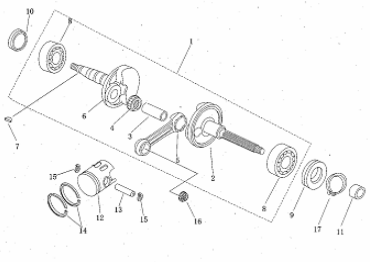
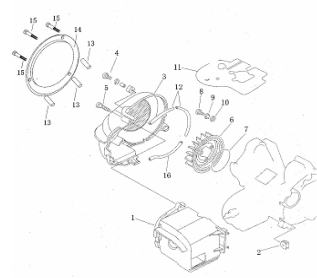
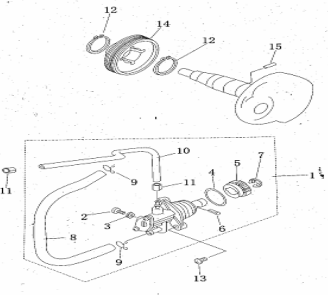
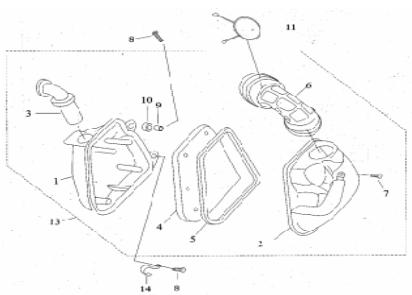
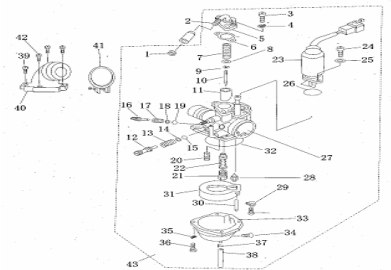
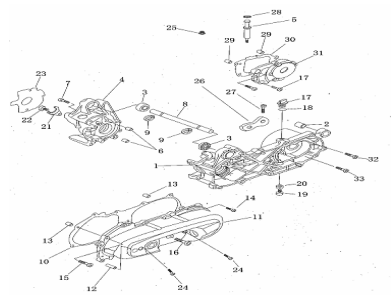
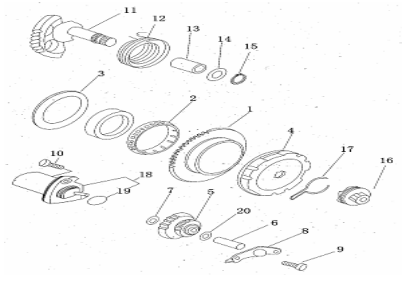
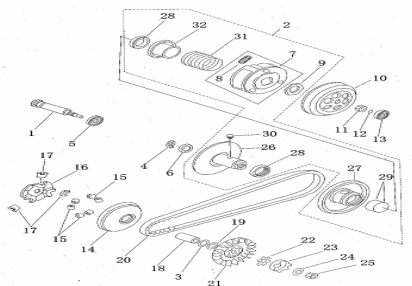
ENGINE

SECTION	FIG #
CYLINDER	E01
PISTON/CRANKSHAFT	E02
FAN/AIR SHROUD	E03
OIL PUMP	E04
AIR CLEANER	E05
CARBURETOR	E06
CRANKCASE	E07
STARTER	E08
CLUTCH	E09
GENERATOR	E10
TRANSMISSION	E11
REED VALVE ASSY	E12
KICK STARTER	E13

FRAME

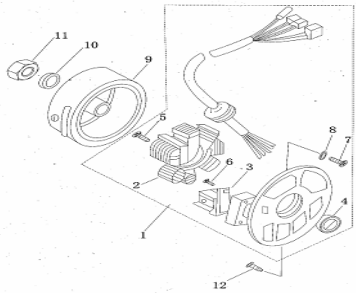
SECTION	FIG #
FRAME BODY	F01
METER	F02
LEVER/HANDLE SWITCH	F03
FRONT COVER	F04
SIDE COVER	F05
OIL TANK	F06
REAR SUSPENSION	F07
FRONT FORK	F08
FUEL TANK	F09
SEAT AND LUGGAGE BOX	F10
FRONT FENDER	F11
FRONT WHEEL	F12
FRONT DISK BRAKE	F13
REAR WHEEL	F14
CABLE/STEERING HANDLE	F15
STAND/FOOTREST	F16
LEG SHIELD	F17
HANDLE COVER	F18
HEAD LIGHT	F19
TAIL LIGHT	F20
EXHAUST	F21
ELECTRICAL1	F22
ELECTRICAL2	F23
TOOL KIT	F24

CONTENTS ENGINE GROUP

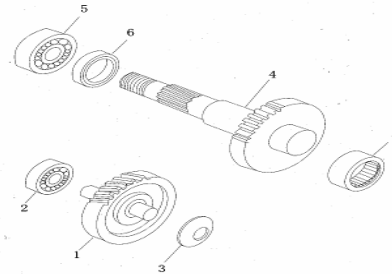
E01 CYLINDER	E02 PISTON/CRANKSHAFT	E03 FAN AIR SHROUD
		
E04 OIL PUMP	E05 AIR CLEANER	E06 CARBURETOR
		
E07 CRANKCASE	E08 STARTER	E09 CLUTCH
		

CONTENTS ENGINE GROUP

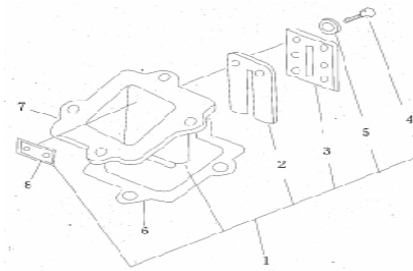
E10 GENERATOR



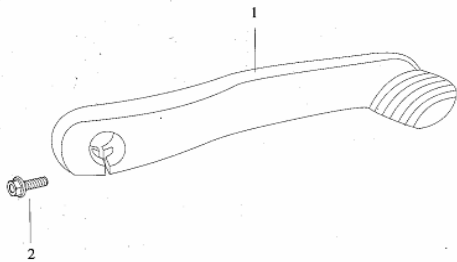
E11 TRANSMISSION



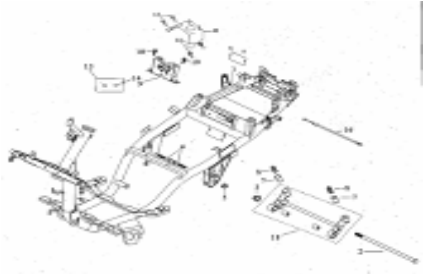
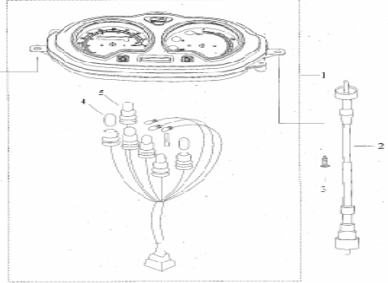
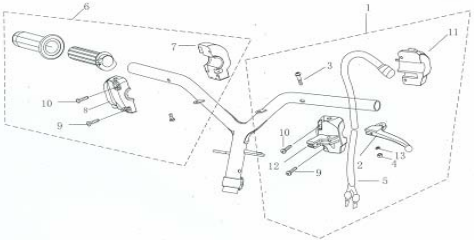
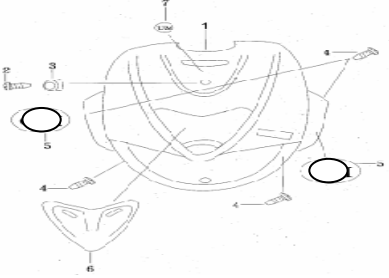
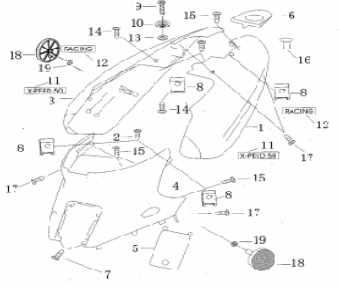
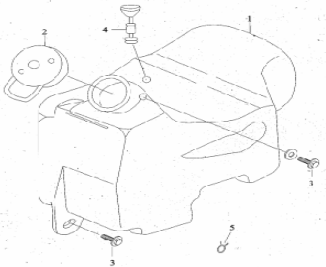
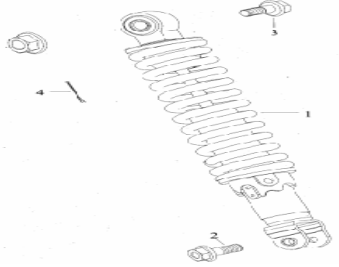
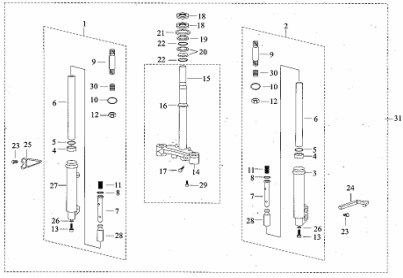
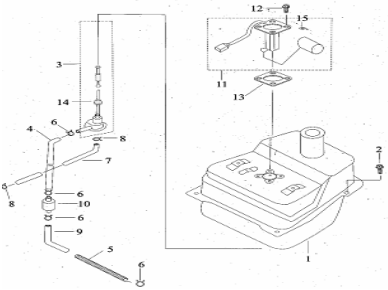
E12 REED VALVE ASSY



E13 KICK STARTER



CONTENTS FRAME GROUP

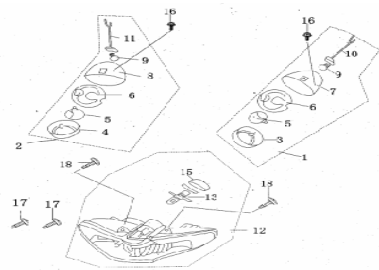
F01 FRAME BODY	F02 METER	F03 LEVER/HANDLE SWITCH
		
F04 FRONT COVER	F05 SIDE COVER	F06 OIL TANK
		
F07 REAR SUSPENSION	F08 FRONT FORK	F09 FUEL TANK
		

CONTENTS FRAME GROUP

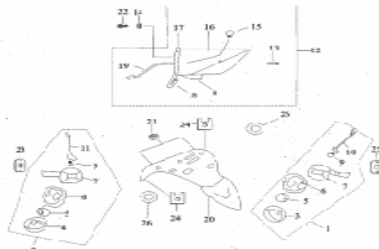
F10 SEAT	F11 FRONT FENDER	F12 FRONT WHEEL
F13 FRONT DISK BRAKE	F14 REAR WHEEL	F15 CABLE/STEERING HANDLE
F16 STAND/FOOTREST	F17 LEG SHIELD	F18 HANDLE COVER

CONTENTS FRAME GROUP

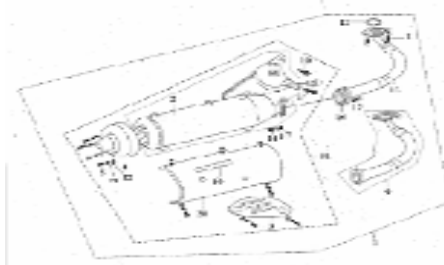
F19 HEAD LIGHT



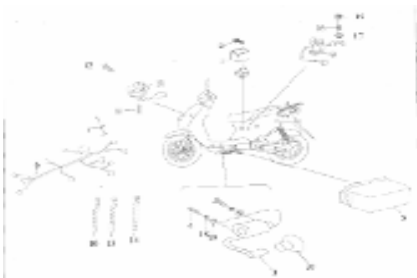
F20 TAIL LIGHT



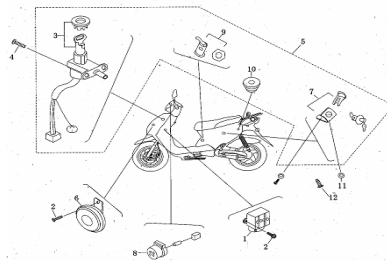
F21 EXHAUST



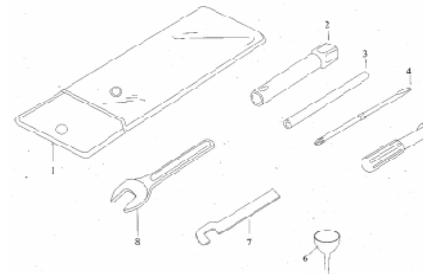
F22 ELECTRICAL 1



F23 ELECTRICAL 2

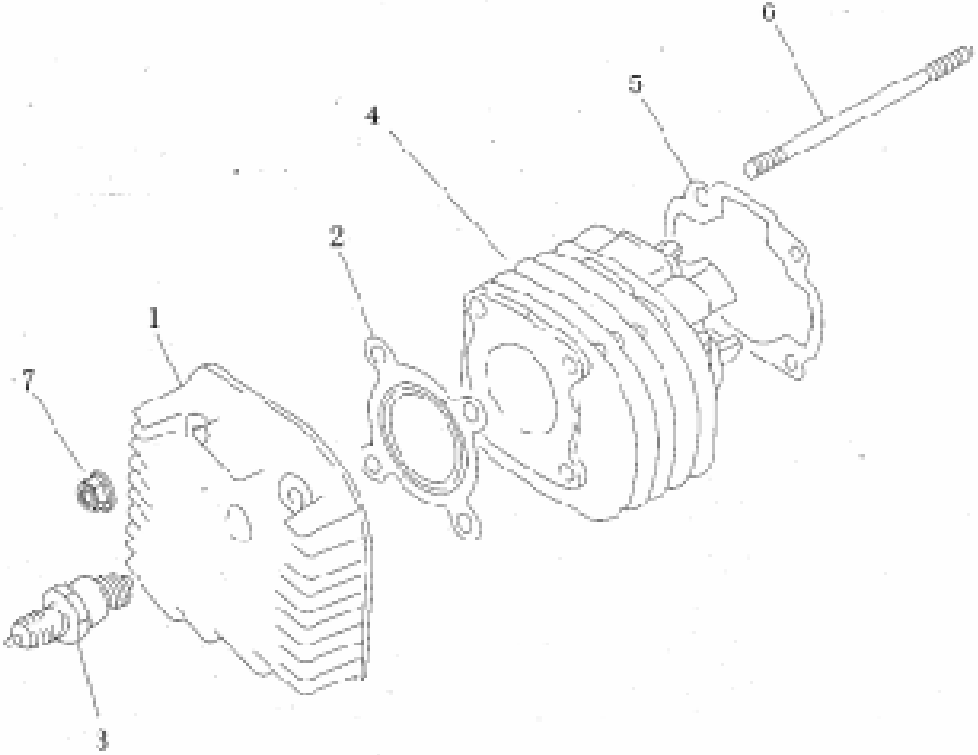


F24 TOOL KITS



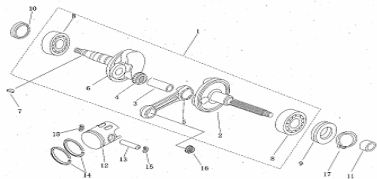
E01 CYLINDER

REF#	PARTS #	DESCRIPTION	QTY.	2000	2001	2002	2003	2004	2005
1-1	30701B01F00A	HEAD/CYLINDER	1	1	1	1	1	1	1
1-2	30507B01F000	GASKET/CYLINDER HEAD	1	1	1	1	1	1	1
1-3	30506B09F00D	SPARK PLUG	1	1	1	1	1	1	1
1-4	27101B01F00A	CYLINDER	1	1	1	1	1	1	1
1-5	27102B01F000	GASKET/CYLINDER	1	1	1	1	1	1	1
1-6	26107B01F910	STUD BOLT	4	4	4	4	4	4	4
1-7	26127G02F910	NUT	4	4	4	4	4	4	4



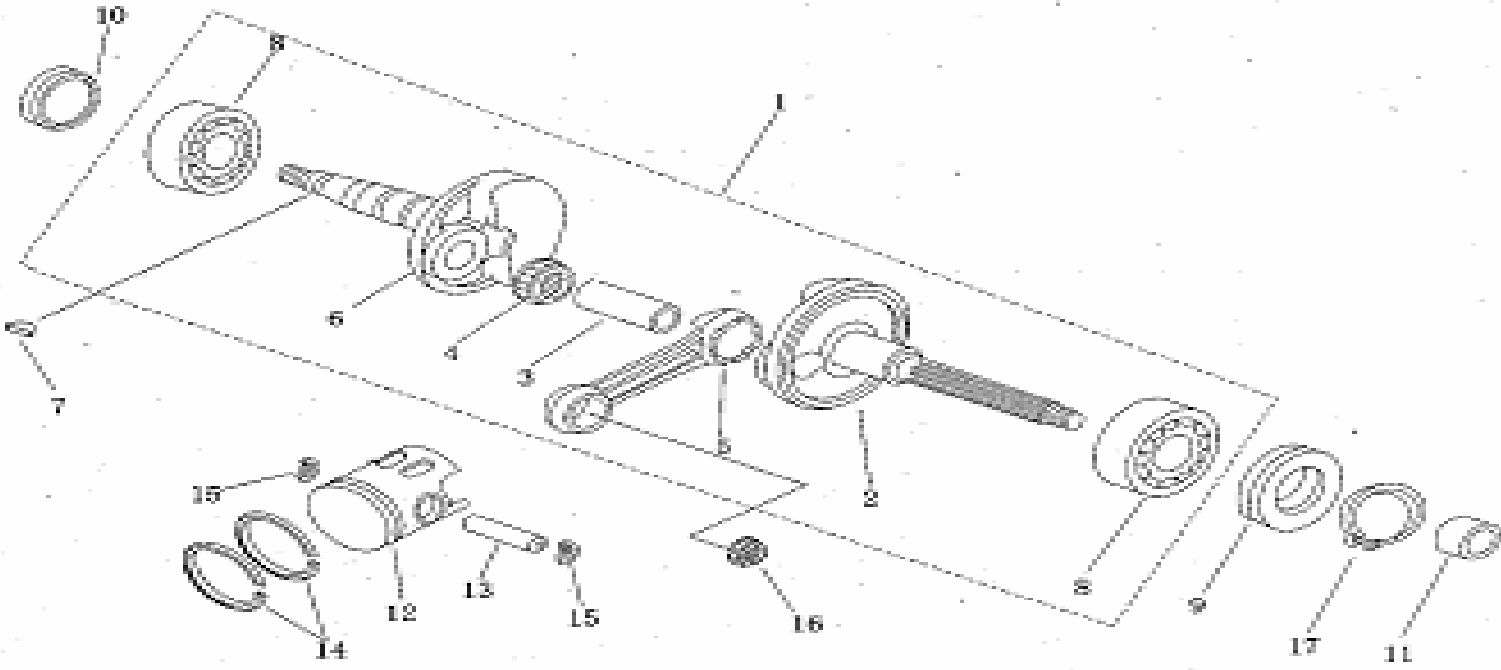
E02 CRANKSHAFT / PISTON

REF#	PARTS #	DESCRIPTION	QTY.	2000	2001	2002	2003	2004	2005
2-1	15200B01F000	CRANKCHAFT,ASSY	1	1	1	1	1	1	1
2-2	15201B01F000	CRAN KSHAFT, LH	1	1	1	1	1	1	1
2-3	15202B01F000	CRANK PIN	1	1	1	1	1	1	1
2-4	15114B01F000	NEEDLE BEARING	1	1	1	1	1	1	1
2-5	15204B01F000	CONNECTING SHAFT	1	1	1	1	1		
	15204B01F12M	CONNCTING SHAFT 12M	1					1	1
2-6	15205B01F000	CRANKSHAFT,.RH	1	1	1	1	1	1	1
2-7	15101B01F000	WOODRUFF KEY	1	1	1	1	1	1	1
2-8	B12016620453	NEEDLE BEARING	2	2	2	2	2	2	2
2-9	15213G02F000	OIL SEAL	1	1	1	1	1	1	1
2-10	26215G02F000	OIL SEAL ASSY	1	1	1	1	1	1	1
2-11	15214G02F000	COLLAR	1	1	1	1	1	1	1
2-12	15100B01F000	PISTON ASSY 10MM	1	1	1	1	1		
	15100B09F12M	PISTON ASSY 12M	1					1	1
2-13	15105B01F000	PISTON PIN 10MM	1	1	1	1	1		
	15105B01F12M	PISTON PIN 12M	1					1	1
2-14	15103B09F000	PISTON RING ASSY	2	2	2	2	2	2	2
2-15	15111B01F000	CIRCLIP	2	2	2	2	2		
	15111B01F12M	CIRCLIP 12M	2					2	2
2-16	15110B01F000	NEEDLE BEARING 10MM	1	1	1	1	1		
	15110B01F12M	NEEDLE BEARING 12M	1					1	1
2-17	17308G02F000	CIRCLIP	1	1	1	1	1		



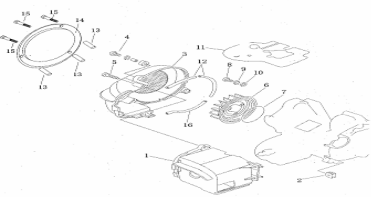
Enlarged figure
next page

E02 CRANKSHAFT / PISTON



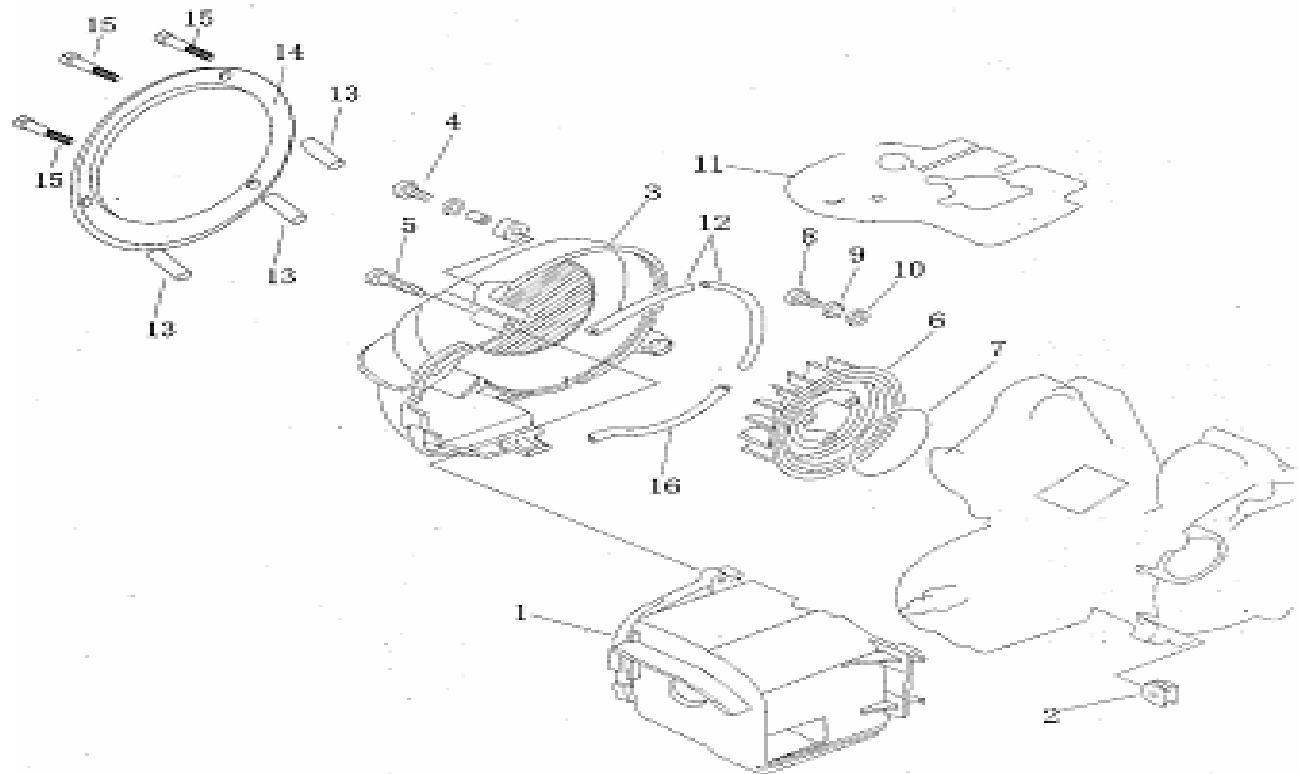
E03 AIR SHROUD / FAN

REF#	PARTS #	DESCRIPTION	QTY.	2000	2001	2002	2003	2004	2005
3-1	20301B01F000	COWLING/CYLINDER	1	1	1	1	1	1	1
3-2	20303G02F000	GROMMET	2	2	2	2	2	2	2
3-3	20201B09F000	COELING.FAN	1	1	1	1	1	1	1
3-4	B01070602064	BOLT	2	2	2	2	2	2	2
3-5	B05035504000	SCREW	1	1	1	1	1	1	1
3-6	20401B01F000	FAN ASSY	1	1	1	1	1	1	1
3-7	20402G02F000	RUBBER RING	1	1	1	1	1	1	1
3-8	B02000601663	SCREW	3	3	3	3	3	3	3
3-9	B07000000600	WASHER	3	3	3	3	3	3	3
3-10	B07030000600	WASHER	3	3	3	3	3	3	3
3-11	20102G02F000	PLATE	1	1	1	1	1	1	1
3-12	20206G02F000	MOLD/COWLING	1	1	1	1	1	1	1
3-13	20208B09F000	COLLOR	3	3	3	3	3	3	3
3-14	20209B09F000	COVER	1	1	1	1	1	1	1
3-15	B02000403523	SCREW	3	3	3	3	3	3	3
3-16	20208G02F000	MOLD/COWLING	1	1	1	1	1	1	1



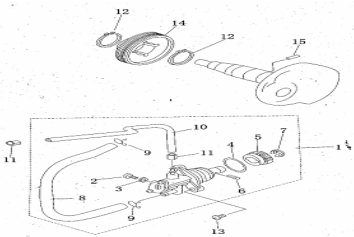
Enlarged figure
next page

E03 AIR SHROUD / FAN



E04 OIL PUMP

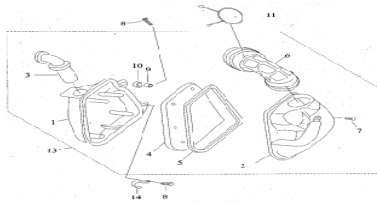
REF#	PARTS #	DESCRIPTION	QTY.	2000	2001	2002	2003	2004	2005
4-1	19000B09F001	OIL PUMP ASSY	1	1	1	1	1	1	1
4-2	B02000400863	SCREW	1	1	1	1	1	1	1
4-3	B07060000500	WASHER	1	1	1	1	1	1	1
4-4	B190101900A0	O-RING	1	1	1	1	1	1	1
4-5	19210G02F000	GEAR	1	1	1	1	1	1	1
4-6	B09030301200	PIN	1	1	1	1	1	1	1
4-7	B08030000800	CIRCLIP	1	1	1	1	1	1	1
4-8	19212B09F000	HOSE	1	1	1	1	1	1	1
4-9	19213G02F000	HOSE CLIP	2	2	2	2	2	2	2
4-10	19216B09F000	HOSE	1	1	1	1	1	1	1
4-11	19217G02F000	HOSE CLIP	2	2	2	2	2	2	2
4-12	15106G02F910	CIRCLIP	2	2	2	2	2	2	2
4-13	B02000501463	SCREW	2	2	2	2	2	2	2
4-14	15211G02F000	PUMP DRIVE GEAR	1	1	1	1	1	1	1
4-15	B090103014C0	PIN	1	1	1	1	1	1	1



Enlarged figure next page

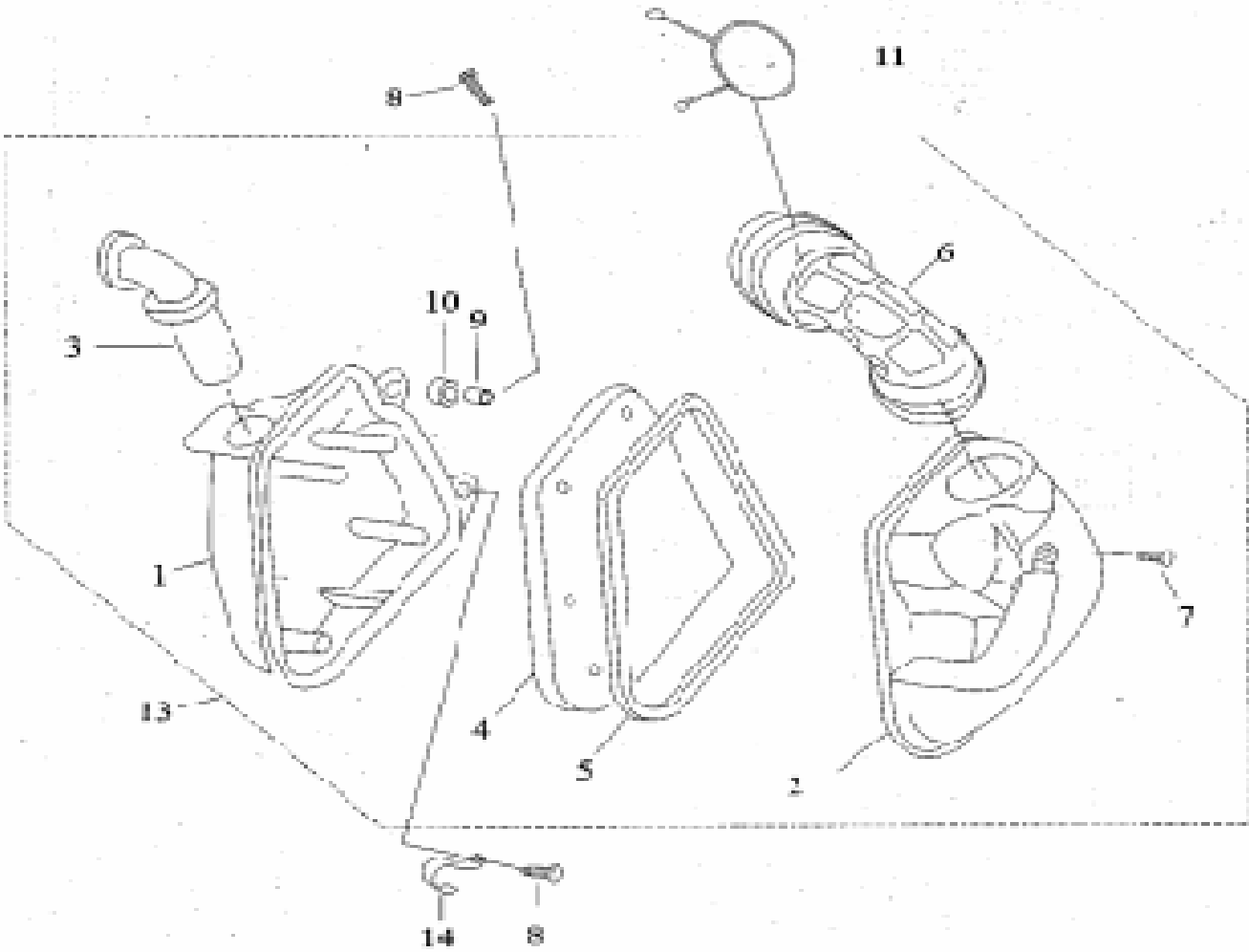
E05 AIR CLEANER

REF#	PARTS #	DESCRIPTION	QTY.	2000	2001	2002	2003	2004	2005
5-1	49101BM0T001	CASE/AIR CLEANER	1	1	1	1	1	1	1
5-2	49001BM0T001	COVERAIR CLEANER	1	1	1	1	1	1	1
5-3	49001BM0T002	GUIDE PIPE(14)	1	1	1	1	1	1	1
5-4	49200BM0T001	FILTER	1	1	1	1	1	1	1
5-5	49013BM0T001	SEAL GASKET	1	1	1	1	1	1	1
5-6	49005BM0T001	CONNECTING PIPE	1	1	1	1	1	1	1
5-7	B05075002505	TAPPING SCREW	5	5	5	5	5	5	5
5-8	B01090602065	BOLT 6X20MM	2	2	2	2	2	2	2
5-9	49004BM0T000	BUSH	2	2	2	2	2	2	2
5-10	49022BM0T000	GROMMET	2	2	2	2	2	2	2
5-11	49016BM0T000	CLIP	1	1	1	1	1	1	1
5-12	49000BM0T002	AIR CLEANER ASSY , (14)	1	1	1	1	1	1	1
5-13	49371B0DT000	GUIDE/BRAKE CABLE	1	1	1	1	1	1	1



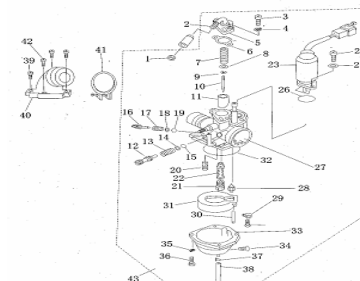
Enlarged figure
next page

E05 AIR CLEANER



E06 CARBURETOR

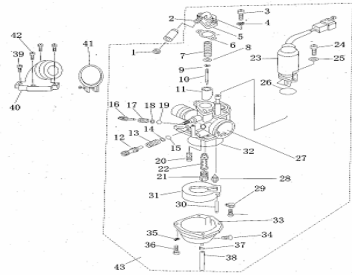
REF#	PARTS #	DESCRIPTION	QTY.	2000	2001	2002	2003	2004	2005
6-1	32501B01F910	FIX SCREW	1	1	1	1	1	1	1
6-2	32502B01F910	INSTRANT PIPE	1	1	1	1	1	1	1
6-3	32503B01F223	SCREW	2	2	2	2	2	2	2
6-4	B07000000400	WASHER	2	2	2	2	2	2	2
6-5	32505B01F000	CAP	1	1	1	1	1	1	1
6-6	32506B01F000	GASKET	1	1	1	1	1	1	1
6-7	32507B01F000	SPRING RETURN	1	1	1	1	1	1	1
6-8	32508B01F000	CLIPMM V SHAPE	1	1	1	1	1	1	1
6-9	B08030001500	CLIP	1	1	1	1	1	1	1
6-10	32510B01F000	NEEDLE.JET	1	1	1	1	1	1	1
6-11	32511B01F000	VALVE PISTON	1	1	1	1	1	1	1
6-12	32601B01F000	SCREW, IDLE SPEED	1	1	1	1	1	1	1
6-13	32602B01F000	SPRING SPEED SCREW	1	1	1	1	1	1	1
6-14	32603B01F000	WASHER, SPEED SCREW	1	1	1	1	1	1	1
6-15	32604B01F000	O-RING SPEED SCREW	1	1	1	1	1	1	1
6-16	32605B01F000	SCREW AIR	1	1	1	1	1	1	1
6-17	32606B01F000	SPRING AIR SCREW	1	1	1	1	1	1	1
6-18	32607B01F000	WASHER AIR SCREW	1	1	1	1	1	1	1
6-19	32608B01F000	O-RING, AIR SCREW	1	1	1	1	1	1	1
6-20	32609B01F000	JETIDLE	1	1	1	1	1	1	1
6-21	32610B01F00A	JET MAIN	1	1	1	1	1	1	1
6-22	32611B01F000	JET NEEDLE	1	1	1	1	1	1	1
6-23	32612B01F000	THERMO ASSY	1	1	1	1	1	1	1
6-24	B02040400823	SCREW	2	2	2	2	2	2	2
6-25	B07000000400	WASHER	2	2	2	2	2	2	2
6-26	32615B01F000	O-RING	1	1	1	1	1	1	1
6-27	32616B01F000	BODY,CARBURETOR	1	1	1	1	1	1	1
6-28	32617B01F000	VALUE NEEDLE	1	1	1	1	1	1	1
6-29	32618B01F000	HOOK	1	1	1	1	1	1	1
6-30	32615B01F000	PIN FLOAT	1	1	1	1	1	1	1
6-31	32620B01F000	FLOAT	1	1	1	1	1	1	1
6-32	32701B01F000	GASKET	1	1	1	1	1	1	1
6-33	32702B01F000	CHAMBER. FLOAT	1	1	1	1	1	1	1



Enlarged figure
next page

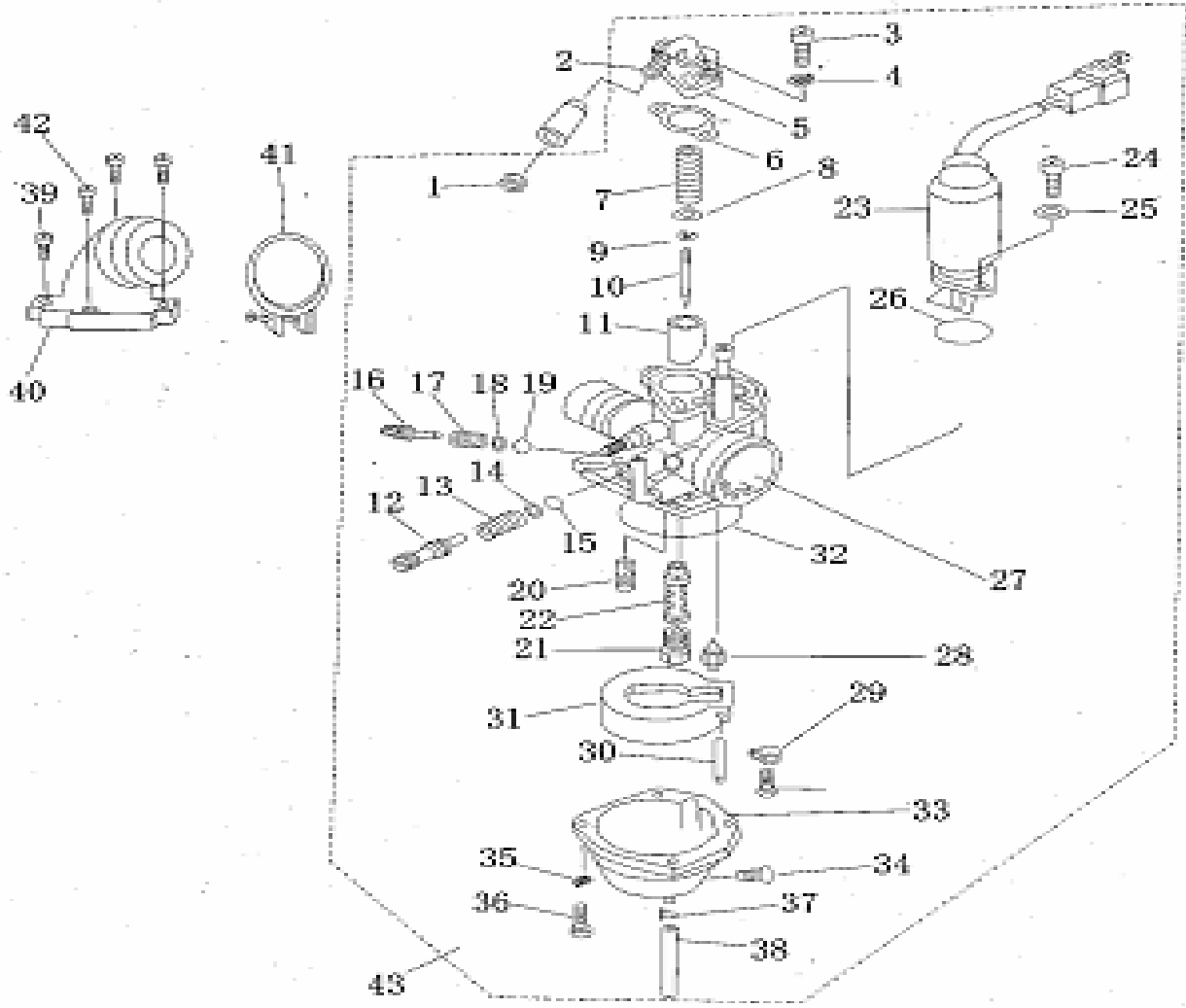
E06 CARBURETOR

REF#	PARTS #	DESCRIPTION	QTY.	2000	2001	2002	2003	2004	2005
6-34	32703B01F000	SCREW	1	1	1	1	1	1	1
6-35	B07000000400	WASHER	1	1	1	1	1	1	1
6-36	B02040401423	SCREW	1	1	1	1	1	1	1
6-37	32706B01F000	CLIP	1	1	1	1	1	1	1
6-38	32707B01F000	HOSE, DRAIN	1	1	1	1	1	1	1
6-39	B02050602064	SCREW	3	3	3	3	3	3	3
6-40	32200G02F000	PIPE, INTAKE	1	1	1	1	1	1	1
6-41	32202G02F000	CLIP	1	1	1	1	1	1	1
6-42	3'2206B01F000	SCREW	1	1	1	1	1	1	1
6-43	32500B01F00B	CARBURETOR ASSY	1	1	1	1	1	1	1



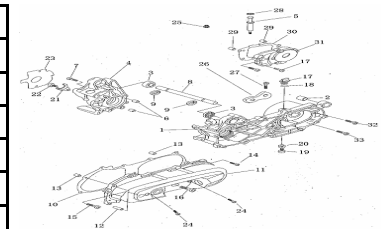
Enlarged figure next page

E06 CARBURETOR



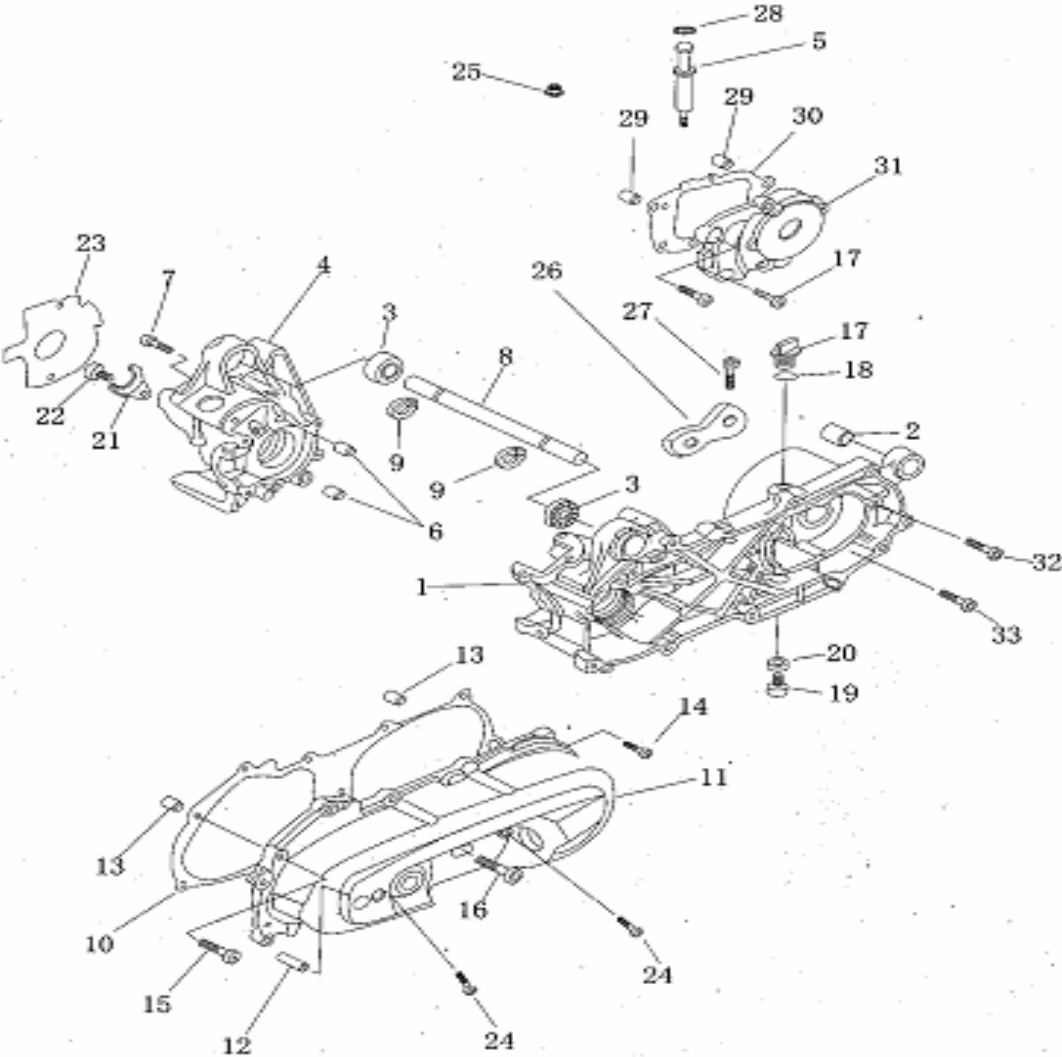
E07 CRANKCASE

REF#	PARTS #	DESCRIPTION	QTY.	2000	2001	2002	2003	2004	2005
7-1	26111B09F001	CHANKCASELH	1	1	1	1	1	1	1
7-2	26108G02F000	GROMMT	1	1	1	1	1	1	1
7-3	B12016600300	BEARING	2	2	2	2	2	2	2
7-4	26211B09F001	CRANKCASE RH	1	1	1	1	1	1	1
7-5	26142G02F000	BRAKE SHOE ANCHOR PIN ASSY	1	1	1	1	1	1	1
7-6	26123G02F000	DOWEL PIN	2	2	2	2	2	2	2
7-7	B01070603564	PAN HEAD SCREW	6	6	6	6	6	6	6
7-8	26109B09F000	AXLE, ENGINE MOUNT	1	1	1	1	1	1	1
7-9	B08010001700	CIRCLIP	2	2	2	2	2	2	2
7-10	14109B09F000	GASKET L CARANKCASE	1	1	1	1	1	1	1
7-11	14108B09F000	L CRANKCASE COVER	1	1	1	1	1	1	1
7-12	26128G02F000	IDLE GEAR	1	1	1	1	1	1	1
7-13	26208G02F000	DOWEL PIN	2	2	2	2	2	2	2
7-14	B01070602564	PAN HEAD SCREW	8	8	8	8	8	8	8
7-15	B01070603564	PAN HEAD SCREW,	2	2	2	2	2	2	2
7-16	B01070606564	PAN HEAD SCREW	1	1	1	1	1	1	1
7-17	26202G02F000	OIL PULG	1	1	1	1	1	1	1
7-18	26102G02F000	ORING	1	1	1	1	1	1	1
7-19	26121G02F000	FLANGE BOLT	1	1	1	1	1	1	1
7-20	26124G02F000	PLATE WASHER	1	1	1	1	1	1	1
7-21	26214G02F910	OIL SEAL HOLDER	1	1	1	1	1	1	1
7-22	B01070601263	PAN HEAD SCREW	1	1	1	1	1	1	1
7-23	26216G02F000	GASKET	1	1	1	1	1	1	1
7-24	B02030601264	PAN HEAD SCREW	2	2	2	2	2	2	2
7-25	B04070812553	NUT	1	1	1	1	1	1	1
7-26	18114G02F000	PLATE WASHER	1	1	1	1	1	1	1
7-27	B02000601063	PAN HEAD SCREW	1	1	1	1	1	1	1
7-28	26143G02F000	O-RING	1	1	1	1	1	1	1
7-29	26123G02F000	DOWEL PIN	2	2	2	2	2	2	2
7-30	18100B09F000	MISSION CASE GASKET	1	1	1	1	1	1	1
7-31	18101B09F000	MISSION CASE	1	1	1	1	1	1	1
7-32	B01070805563	SCREW M8X55'	2	2	2	2	2	2	2
7-33	B01070805063	SCREW M8X50	5	5	5	5	5	5	5



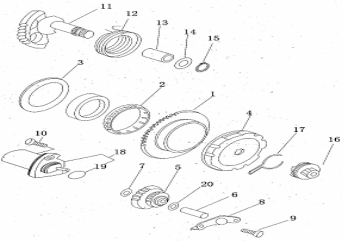
Enlarged figure
next page

E07 CRANKCASE



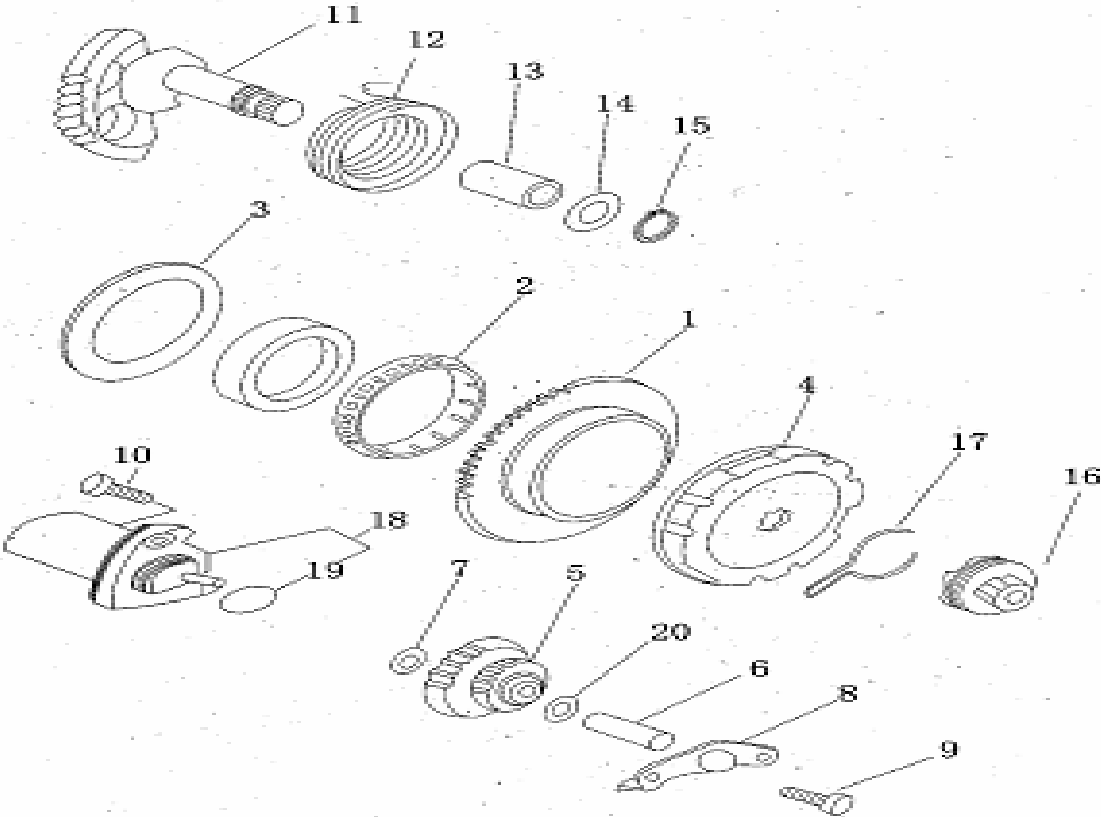
E08 STARTER

REF#	PARTS #	DESCRIPTION	QTY.	2000	2001	2002	2003	2004	2005
8-1	34120G02F000	START GEAR ASSY	1	1	1	1	1	1	1
8-2	34121G02F000	NEEDLE BEARING	1	1	1	1	1	1	1
8-3	34123G02F000	THRUST WASHER	1	1	1	1	1	1	1
8-4	34400G02F000	START CLUTCH ASSY	1	1	1	1	1	1	1
8-5	34126G02F000	IDLE GEAR	1	1	1	1	1	1	1
8-6	26128G02F000	IDLE GEAR SHAFT	1	1	1	1	1	1	1
8-7	34122G02F000	PLATE WASHER	1	1	1	1	1	1	1
8-8	34125G02F000	IDLE GEAR HOLDER	1	1	1	1	1	1	1
8-9	B02000601063	SCREW	2	2	2	2	2	2	2
8-10	B02050602064	SCREW	2	2	2	2	2	2	2
8-11	17400G02F000	SHAFT, KICK STARTER	1	1	1	1	1	1	1
8-12	17407G02F000	SPRING	1	1	1	1	1	1	1
8-13	17413G02F000	BUSH	1	1	1	1	1	1	1
8-14	17422G02F000	WASHER KICK STARTER	1	1	1	1	1	1	1
8-15	B08010001500	CIRCLIP	1	1	1	1	1	1	1
8-16	17415G02F000	KICK PINION ASSY	1	1	1	1	1	1	1
8-17	17418G02F930	CLIP	1	1	1	1	1	1	1
8-18	34200G02F000	STARTING MOTOR ASSY	1	1	1	1	1	1	1
8-19	B190102120B0	O-RING	1	1	1	1	1	1	1
8-20	34130G02F000	PLATE WASHER	1	1	1	1	1	1	1



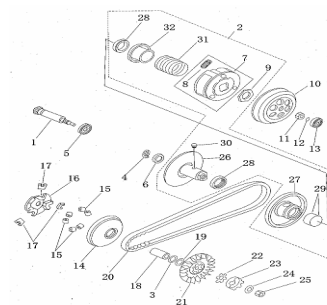
Enlarged figure
next page

E08 STARTER



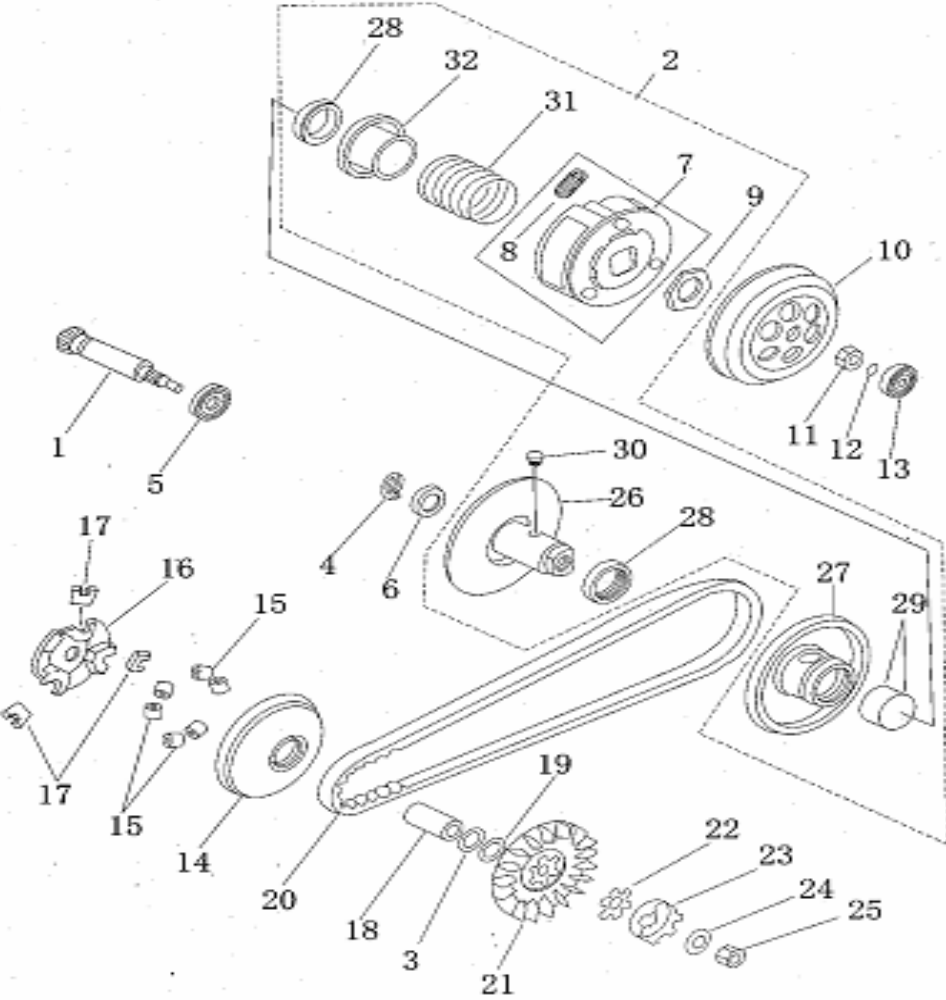
E09 CLUTCH

REF#	PARTS #	DESCRIPTION	QTY.	2000	2001	2002	2003	2004	2005
9-1	24201B09F000	PRIMARY DRIVE GEAR	1	1	1	1	1	1	1
9-2	24201B01F000	DRIVEN PULLY ADN CLUTCH ASSY	1	1	1	1	1	1	1
9-3	24106B09F000	WASHER	1	1	1	1	1	1	1
9-4	B08010001700	CIRCLIP	1	1	1	1	1	1	1
9-5	B12016620300	ROLING BEARING	1	1	1	1	1	1	1
9-6	24203B09F000	OIL SEAL	1	1	1	1	1	1	1
9-7	24301G02F000	CLUTCH ASSY SHOE	3	3	3	3	3	3	3
9-8	24302G02F000	SPRING	3	3	3	3	3	3	3
9-9	24303G02F000	NUT	1	1	1	1	1	1	1
9-10	24700G02F000	HOUSING	1	1	1	1	1	1	1
9-11	24305G02F940	NUT	1	1	1	1	1	1	1
9-12	24303G02F000	O-RING	1	1	1	1	1	1	1
9-13	24209G02F000	BEARING	1	1	1	1	1	1	1
9-14	24101B09F000	FACE, MOVABLE DRIVE	1	1	1	1	1	1	1
9-15	24102B01F000	ROLLER	6	6	6	6	6	6	6
9-16	24103G02F000	PLATEMOVABLE DRIVE	1	1	1	1	1	1	1
9-17	24104G02F000	DAMPER	3	3	3	3	3	3	3
9-18	24105G02F000	COLLER	1	1	1	1	1	1	1
9-19	24106B01F000	WASHER	1	1	1	1	1	1	1
9-20	24107G02F000	V BELT DRIVE	1	1	1	1	1	1	1
9-21	24108B09F000	FACE FIXED DRIVE	1	1	1	1	1	1	1
9-22	24109G02F000	PLATE WOODRUFF KEY	1	1	1	1	1	1	1
9-23	24110G02F000	STARTING DISC	1	1	1	1	1	1	1
9-24	15112G02F010	WASHER SPRING	1	1	1	1	1	1	1
9-25	B04031212553	NUT	1	1	1	1	1	1	1
9-26	24204G02F000	FACE, FIXED DRIVEN	1	1	1	1	1	1	1
9-27	24205G02F000	FACE, MOVABLE DRIVEN	1	1	1	1	1	1	1
9-28	24206G02F000	OIL SEAL	1	1	1	1	1	1	1
9-29	24207G02F000	O-RING	2	2	2	2	2	2	2
9-30	24208G02F000	PIN, GUIDE	1	1	1	1	1	1	1
9-31	24308G02F000	SPRING	1	1	1	1	1	1	1
9-32	24309G02F000	SEAT SPRING	1	1	1	1	1	1	1



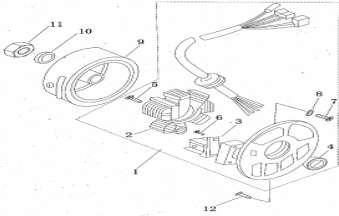
Enlarged figure
next page

E09 CLUTCH



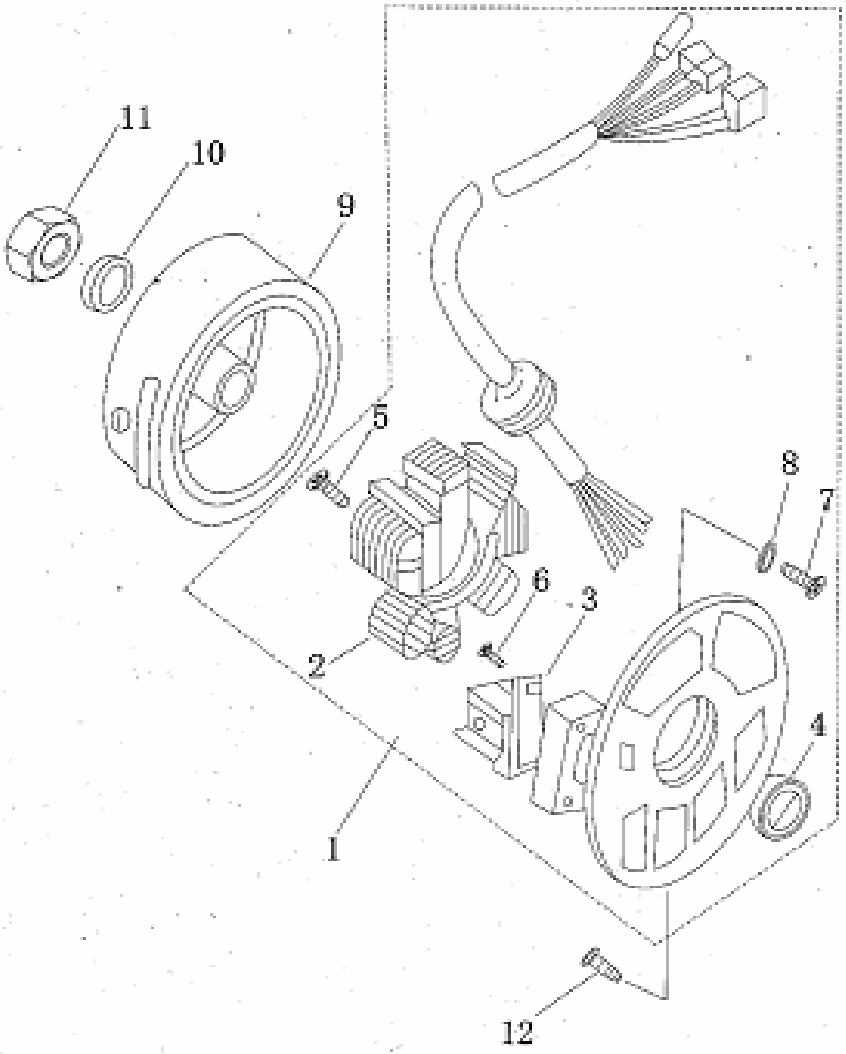
E10 GENERATOR

REF#	PARTS #	DESCRIPTION	QTY.	2000	2001	2002	2003	2004	2005
10-1	34310G02F00D	STATOR ASSY6wi	1	1	1	1			
	34310G03F11D	STATOR ASSY5wi	1				1	1	1
10-2	34311G02F00D	COIL GROUP	1	1	1	1	1	1	1
10-3	34330G02F000	PULSE TRIGGER	1	1	1	1	1	1	1
10-4	34350G02F000	OIL SEAL	1	1	1	1	1	1	1
10-5	B02000502522	SCREW	2	2	2	2	2	2	2
10-6	B02000501262	SCREW	2	2	2	2	2	2	2
10-7	B02000400622	SCREW	1	1	1	1	1	1	1
10-8	B07000000400	WASHER	1	1	1	1	1	1	1
10-9	34301G02F02D	ROTOR ASSY	1	1	1	1	1	1	1
10-10	B07030001200	WASHER	1	1	1	1	1	1	1
10-11	B04011212553	NUT	1	1	1	1	1	1	1
10-12	B02000601664	NUT	2	2	2	2	2	2	2



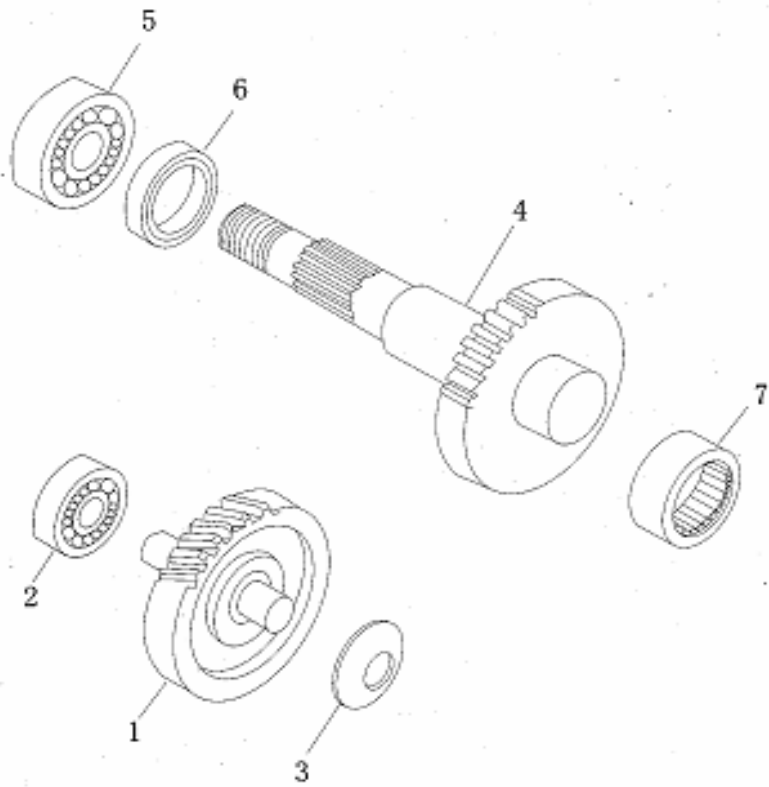
Enlarged figure next page

E10 GENERATOR



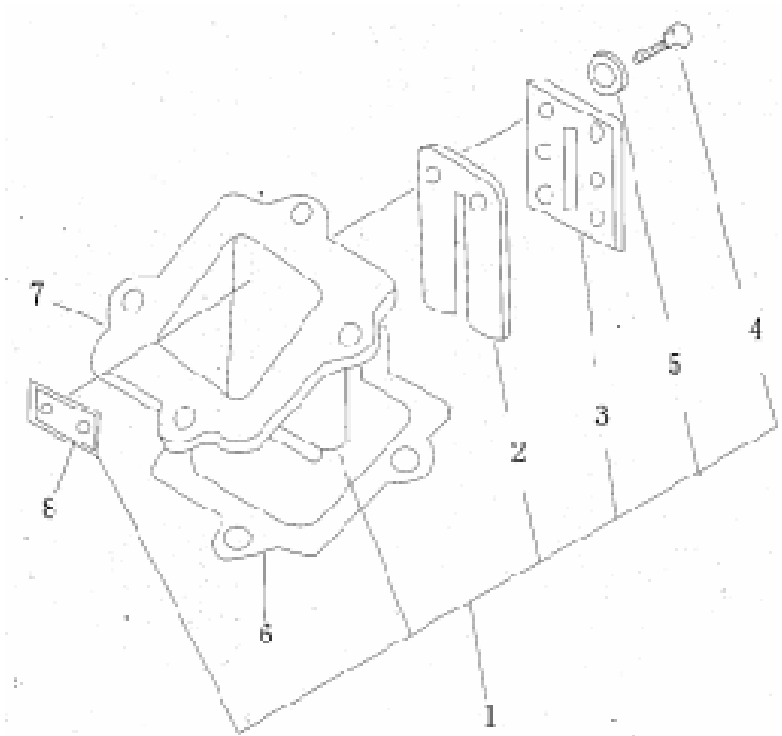
E11 TRANSMISSION

REF#	PARTS #	DESCRIPTION	QTY.	2000	2001	2002	2003	2004	2005
11-1	17800B09F000	SHAFT, IDLE	1	1	1	1	1	1	1
11-2	B12016620000	BEARING 6200	1	1	1	1	1	1	1
11-3	17732J01F000	WASHER THRUST	1	1	1	1	1	1	1
11-4	17300B09F000	SHAFT, REAR BOX	1	1	1	1	1	1	1
11-5	B12016600400	NEEDLE BEARING	1	1	1	1	1	1	1
11-6	17317B09F000	OIL SEAL	1	1	1	1	1	1	1
11-7	B12016620200	NEEDLE BEARING	1	1	1	1	1	1	1



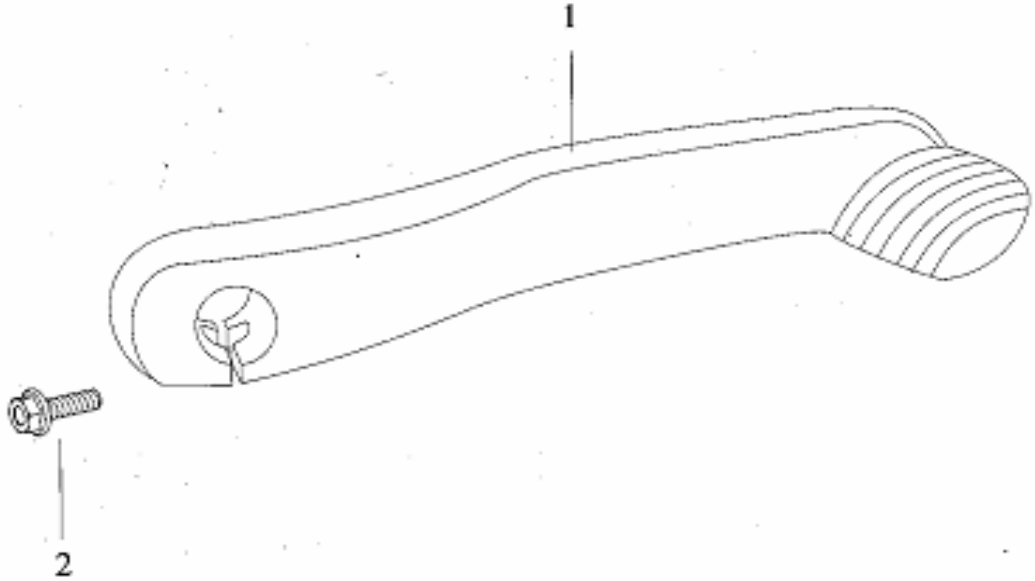
E12 REED VALVE ASSY

REF#	PARTS #	DESCRIPTION	QTY.	2000	2001	2002	2003	2004	2005
12-1	32300B09F000	REED VALVE ASSY	1	1	1	1	1	1	1
12-2	32320G02F000	REED VALVE	2	2	2	2	2	2	2
12-3	32330B09F000	REED VALVE STOPPER	2	2	2	2	2	2	2
12-4	B02000300862	SCREW	4	4	4	4	4	4	4
12-5	B07050000300	WASHER	4	4	4	4	4	4	4
12-6	32312G02F000	VAIVE SEAT GASKET	1	1	1	1	1	1	1
12-7	32301G02F000	VALVE SEAT	1	1	1 </td <td>1</td> <td>1</td> <td>1</td> <td>1</td>	1	1	1	1
12-8	32302G02F000	REED VALVE GASKET	2	2	2	2	2	2	2



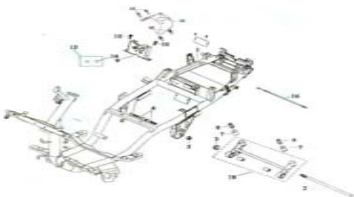
E13 KICK STARTER

REF#	PARTS #	DESCRIPTION	QTY.	2000	2001	2002	2003	2004	2005
13-1	08351BM0TC10	STARTING SHAFT(SILVER)	1	1	1	1	1	1	1
13-2	B02050602565	SCREW 6X25	1	1	1	1	1	1	1



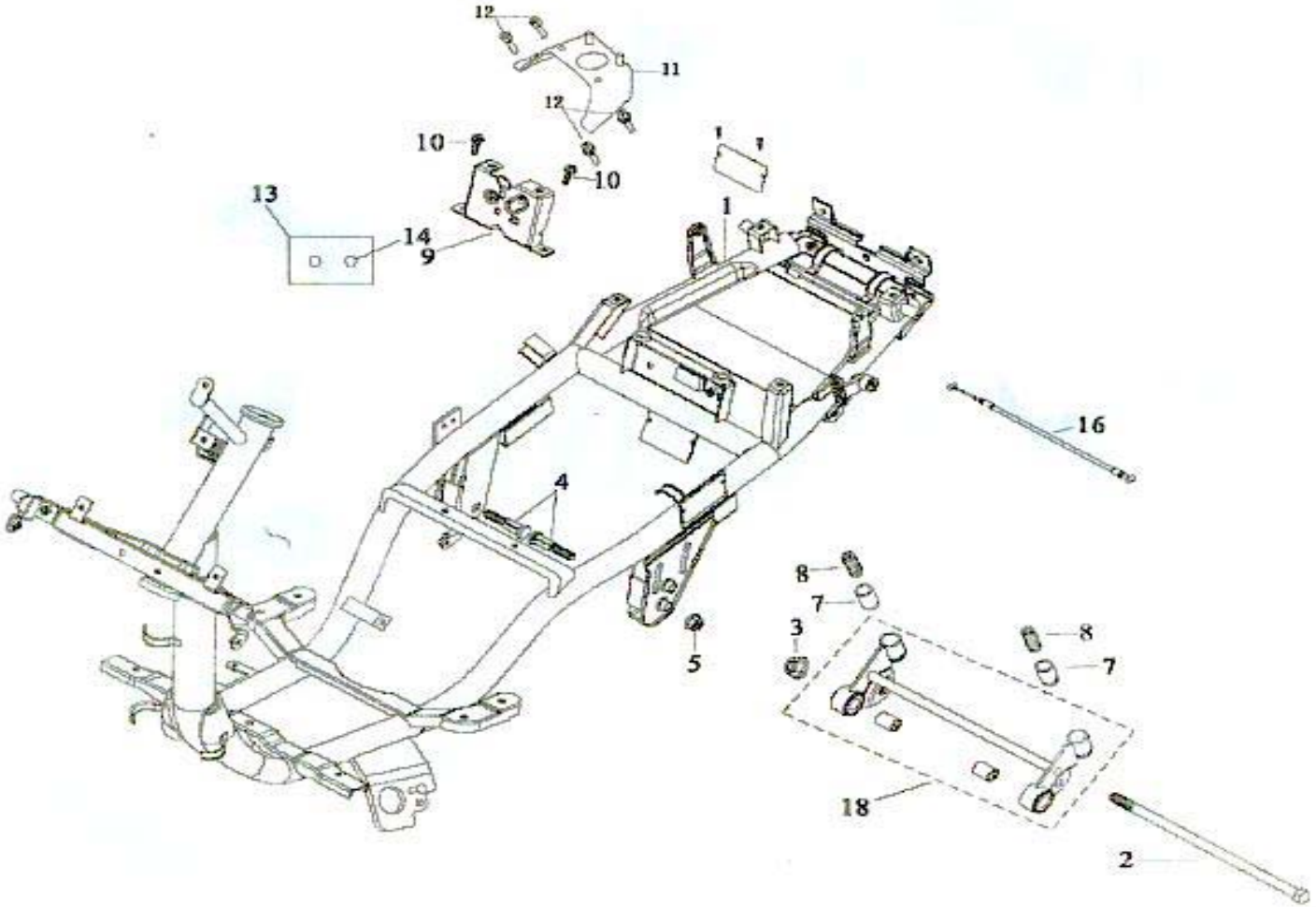
F01 FRAME BODY

REF#	PARTS #	DESCRIPTION	QTY.	2000	2001	2002	2003	2004	2005
1-1	57100BMBT000	FRAME COMP.	1	1	1	1	1	1	1
1-2	58303BMOT000	E/G MOUNTING BOLT, 1	1	1	1	1	1	1	1
1-3	B04171212563	FLANGE UNUT M12X1 .25	1	1	1	1	1	1	1
1-4	58301BMBT000	E/G MOUNTING BOLT, 2(BLACK)	2	2	2	2	2	2	2
1-5	B04171012565	FLANGE U NUT M1 0X1 .25	2	2	2	2	2	2	2
1-6	58302BODT000	DAMPER	2	2	2	2	2	2	2
1-7	58304BMBT000	SPRING	2	2	2	2	2	2	2
1-8	58800BMOT000	SEAT CATCH COMP.	1	1	1	1	1	1	1
1-9	B01090602565	FLANGE BOLT 6X25	2	2	2	2	2	2	2
1-10	57080BMBT000	CARRIER BRACKET	1	1	1	1	1	1	1
1-11	B01090601265	FLANGE BOLT 6X12	4	4	4	4	4	4	4
1-12	57001BMBT00D	FRAME BODY NO,PLATE (75db)DOT	1	1	1	1	1	1	1
1-13	B100432007P0	RIVET 3.2X7	2	2	2	2	2	2	2
1-14	58900BMBT000	SEAT CABLE	1	1	1	1	1	1	1
1-15	58360BMBT000	E/G BRKT COMPO	1	1	1	1	1	1	1



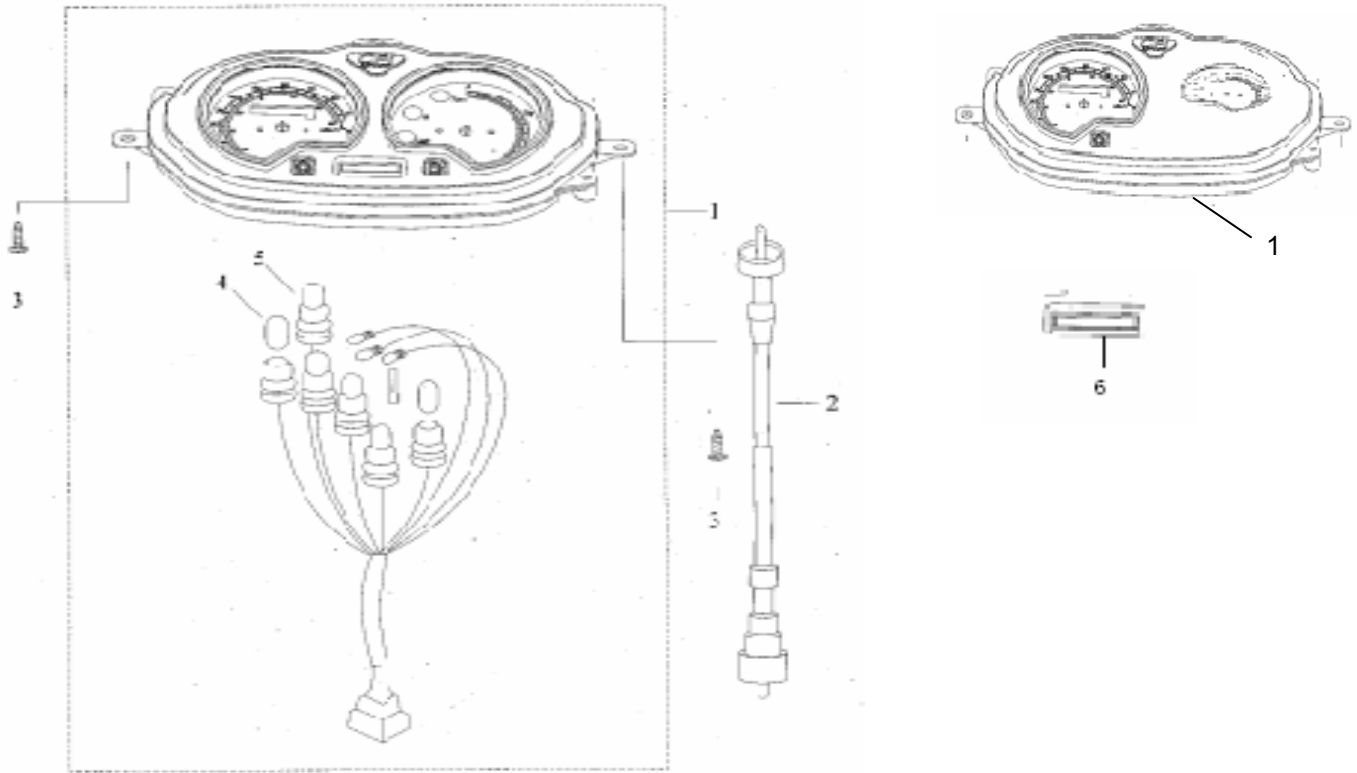
Enlarged figure
next page

F01 FRAME BODY



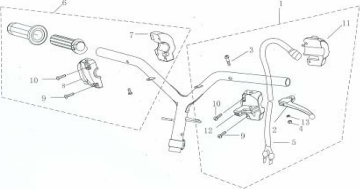
F02 METER

REF#	PARTS #	DESCRIPTION	QTY.	2000	2001	2002	2003	2004	2005
2-1	70000BMBTW60	SPEEDOMETER COMP,(GRAY /WHITE) DOT	1	1	1	1	1	1	1
	70000BMBT004	SPEEDOMETER COMP, NO CLOCK	1	1	1	1	1	1	1
2-2	72900BMBT000	SPEEDOMETER CABLE COMP	1	1	1	1	1	1	1
2-3	B05074001205	TAPPING SCREW 4X1 2	3	3	3	3	3	3	3
2-4	70001 BMBT000	BULB 12V-3.4W	1	1	1	1	1	1	1
2-5	70002BMBT000	BULB 1 2V- 1 ,7W	4	4	4	4	4	4	4
2-6	76000BMBT01	DIGITAL CLOCK	1	1	1	1	1	1	1



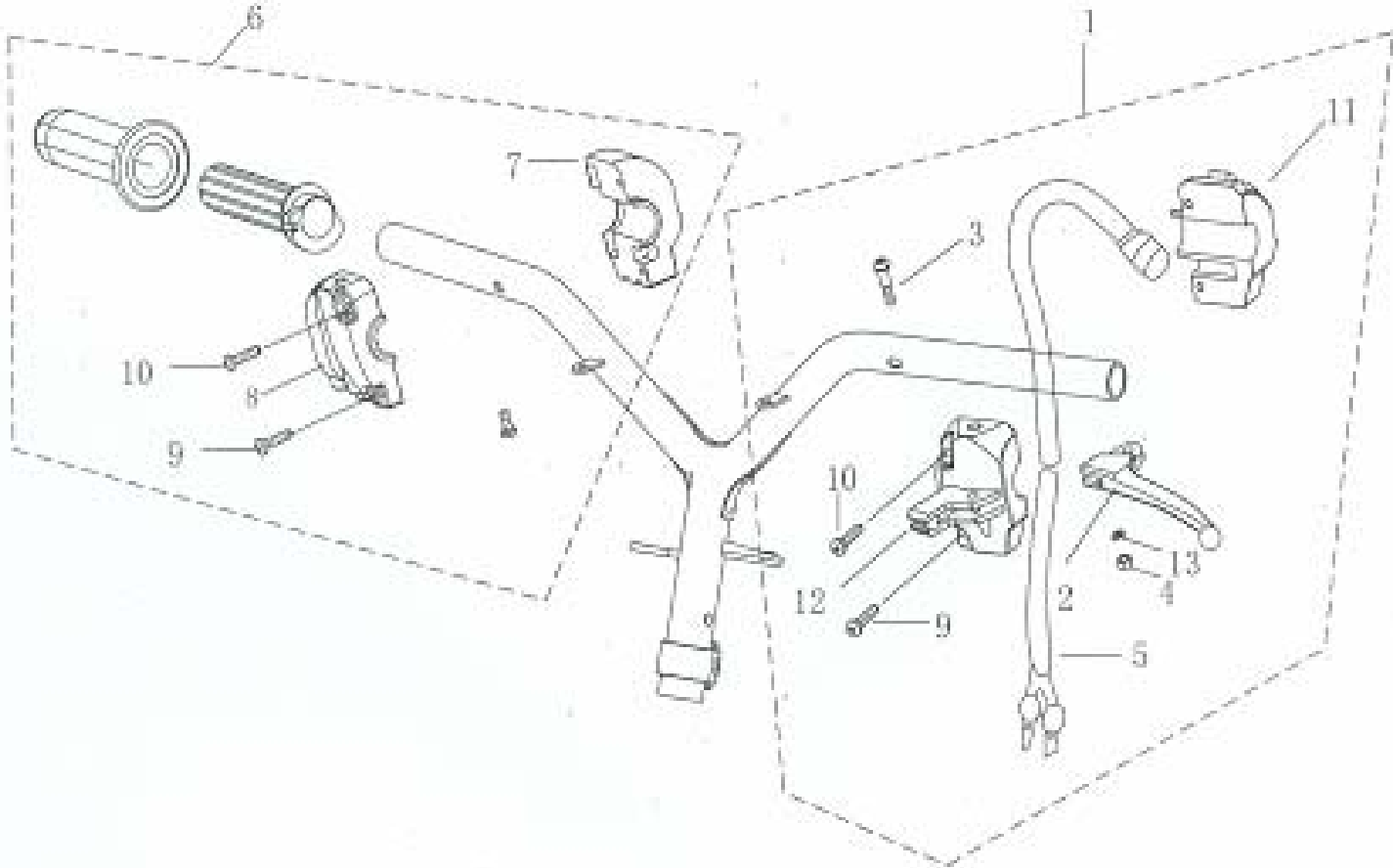
F03 LEVER HANDLE SWITCH

REF#	PARTS #	DESCRIPTION	QTY.	2000	2001	2002	2003	2004	2005
3-1	40500BM0T000	LEFT HANDLE SWITCH ASSY.	1	1	1	1	1	1	1
3-2	40002BM0T000	LEFT LEVER	1	1	1	1	1	1	1
3-3	40004BMAT000	LEVER MOUNTING SCREW	1	1	1	1	1	1	1
3-4	B04000500065	U NUT 5MM	1	1	1	1	1	1	1
3-5	91600BMAT000	STOP SWITCH ASSY.	1	1	1	1	1	1	1
3-6	40600BM0T00A	RIGHT HANDLE SWITCH ASSY (DOT)	1	1	1	1	1	1	1
3-7	40610BM0T00A	RIGHT HANDLE SWITCH	1	1	1	1	1	1	1
3-8	40620BM0T00A	R.SWITCH FIXING SEAT	1	1	1	1	1	1	1
3-9	B02000502025	PAN HEAD SCREW 5X20	2	2	2	2	2	2	2
3-10	B02000502025	PAN HEAD SCREW 5X25	2	2	2	2	2	2	2
3-11	40510BM0T000	LEFT HANDLE SWITCH	1	1	1	1	1	1	1
3-12	40520BM0T000	L.SWITCH FIXING SEAT	1	1	1	1	1	1	1
3-13	B07000000505	WASHER	1	1	1	1	1	1	1



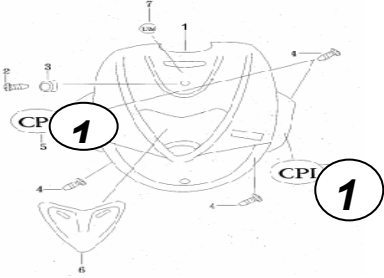
Enlarged figure next page

F03 LEVER HANDLE SWITCH



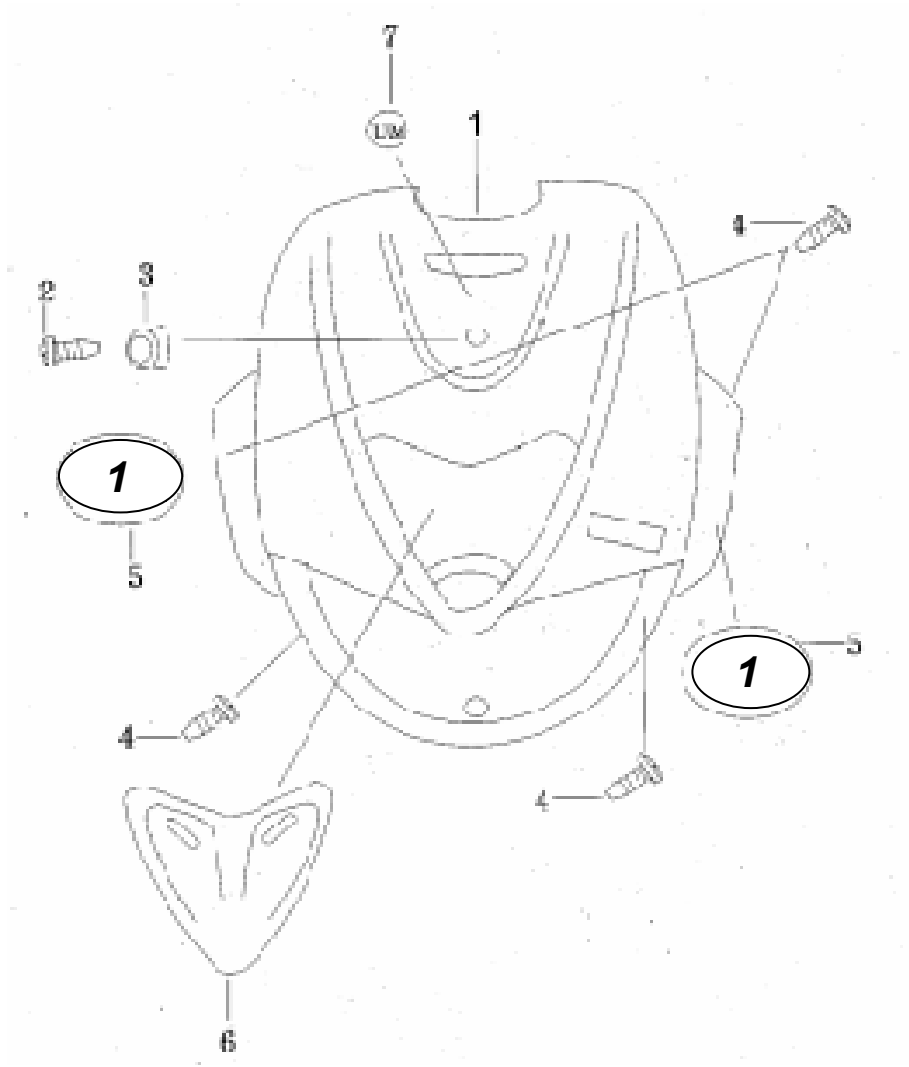
F04 FRONT COVER

REF#	PARTS #	DESCRIPTION	QTY.	2000	2001	2002	2003	2004	2005
4-1	65301BMBTC11	LEG SHIELD, 1 (SILVER/ANTHRAZIT) C1 /B6	1	1	1	1			
	65301BMBTSIL	LEG SHIELD SILVER	1				1	1	1
	65301BMBTRB1	LEG SHIELD, 1 (RED/ANTHRAZIT) RB/B6	1	1	1	1			
	65301BMBTRED	LEG SHIELD RED	1				1	1	1
	65301BMBTCOP	LEG SHIELD, 1 (COPPER/ANTHRAZIT) CP/B6	1	1	1	1			
	65301BMBTCP2	LEG SHIELD, 1 COPPER	1				1	1	1
	65301BMBTG71	LEG SHIELD, 1 (GREEN/ANTHRAZIT) G7/B6	1	1	1	1			
	65301BMBTGREE	LEG SHIELD GREEN	1				1	1	1
	65301BMBTYA1	LEG SHIELD, 1 (YELLOW/ANTHRAZIT) YA/B6	1				1	1	1
	65301BMBTSPE	LEG SHIELD, 1 (SPECIAL/ANTHRAZIT) SPE/B6	1					1	1
	65301BMBTLE1	LEG SHIELD, 1 (BLUE/ANTHRAZIT) LE/B6	1	1	1	1			
65301BMBTBLE	LEG SHIELD BLUE	1				1	1	1	
4-2	65314BM0T000	SCREW 6X14 (BLACK)	1	1	1	1	1	1	1
4-3	65313BMBT000	CUSHION, FR.COVER SCREW	1	1	1	1	1	1	1
4-4	B05074001605	TAPPING SCREW 4X16	4	4	4	4	4	4	4
4-5	05524BMBT000	STICKER 1	2	2	2	2			
4-6	65303BMBTB40	COVER, 1,BLACK	1	1	1	1	1	1	1
4-7	05525BMBT000	IRISH DIAMOND STICKER,UM (ORANGER/WHITE	1	1	1	1	1	1	1



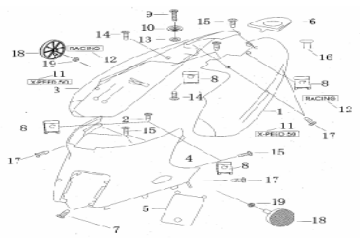
Enlarged figure next page

F04 FRONT COVER



F05 SIDECOVER

REF#	PARTS #	DESCRIPTION	QTY.	2000	2001	2002	2003	2004	2005
5-1	65601BMBTC1 0	SIDE COVER, 1 SILVER	1	1	1	1	1	1	1
	65601BMBTRB0	SIDE COVER, 1 RED	1	1	1	1	1	1	1
	65601BMBTYA0	SIDE COVER, 1 COPPER	1	1	1	1	1	1	1
	65601BMBTDKOR	SIDE COVER, 1 DARK ORANGE	1	1	1	1	1	1	1
	65601BMBTG 70	SIDE COVER, 1 GREEN	1	1	1	1	1	1	1
	65601BMBTLE0	SIDE COVER, 1 BLUE	1	1	1	1	1	1	1
	65601BMBTSPE	SIDE COVER, 1 SPECIAL	1					1	1
	65601BMBTYL	SIDE COVER, 1 YELLOW	1	1	1	1	1	1	1
	65601BMBTDKYW	SIDE COVER, 1 DARK YELLOW	1	1	1	1	1	1	1
5-2	B05074001205	TAPPING SCREW 4X12	2	2	2	2	2	2	2
5-3	65602BMBTC10	SIDE COVER, 2 SILVER	1	1	1	1	1	1	1
	65602BMBTRB0	SIDE COVER, 2 RED	1	1	1	1	1	1	1
	65602BMBTSPE	SIDE COVER, 2 SPECIAL	1					1	1
	65602BMBTYAO	SIDE COVER, 2 COPPER	1	1	1	1	1	1	1
	65602BMBTDKOR	SIDE COVER, 2 DAKR ORANGE	1	1	1	1	1	1	1
	65602BMBTG70	SIDE COVER, 2 GREEN	1	1	1	1	1	1	1
	65602BMBTYL	SIDE COVER, 2 YELLOW	1	1	1	1	1	1	1
	65602BMBTDKYW	SIDE COVER, 2 DARK YELLOW	1	1	1	1	1	1	1
65602BMBTLE0	SIDE COVER, 2 BLUE	1	1	1	1	1	1	1	
5-4	65605BMBT001	SIDE COVER, 3 (REFLECTOR)	1	1	1	1	1	1	1
5-5	65619BMBT000	SIDE COVER, 4	1	1	1	1	1	1	1
5-6	65606BMBTC10	SIDE COVER, 5 SILVER	1	1	1	1	1	1	1
	65606BMBTRB0	SIDE COVER, 5 RED	1	1	1	1	1	1	1
	65606BMBTYA0	SIDE COVER, 5 COPPER	1	1	1	1	1	1	1
	65606BMBTDKOR	SIDE COVER, 5 DARK ORANGE	1	1	1	1	1	1	1
	65606BMBTG70	SIDE COVER, 5 GREEN	1	1	1	1	1	1	1
	65606BMBTSPE	SIDE COVER, 5 SPECIAL	1					1	1
	65606BMBTYL	SIDE COVER, 5 YELLOW	1	1	1	1	1	1	1
	65606BMBTDKYW	SIDE COVER, 5 DARK YELLOW	1	1	1	1	1	1	1
65606BMBTLE0	SIDE COVER, 5 BLUE	1	1	1	1	1	1	1	
5-7	B05074001605	TAPPIG SCREW 4X16	2	2	2	2	2	2	2
5-8	65802BMBT000	SPRING NUT 5MM (BLACK)	4	4	4	4	4	4	4
5-9	B13010601205	SCREW 6X12	2	2	2	2	2	2	2

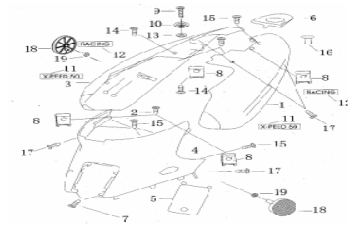


Enlarged figure
2 pages down
page

5-10	08021BMOT000	WASHER	2	2	2	2	2	2	2
------	--------------	--------	---	---	---	---	---	---	---

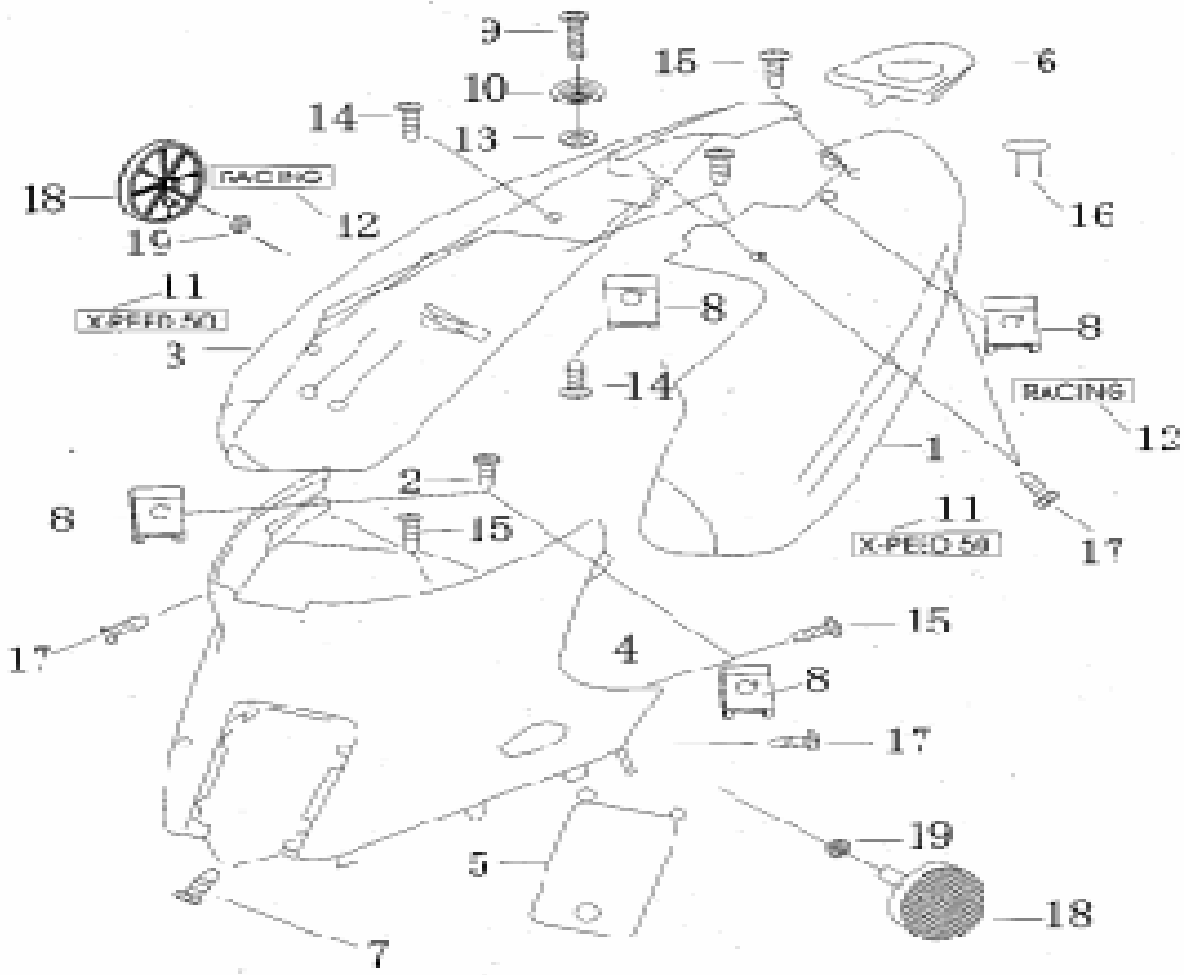
F05 SIDECOVER CONTINUED

REF#	PARTS #	DESCRIPTION	QTY.	2000	2001	2002	2003	2004	2005
5-11	05511BMBT00B	YELLOW, GREEN MATCH	2	2	2	2	2		
		BLUE STICKER X-PEED 50							
	05511BMBT00A	RED, BLUE, SILVER, MATCH	2	2	2	2	2		
		YELLOW STICKER X-PEED 50							
	05511BMBTNEW	STICKERS NEW MODEL	2					2	2
5-12	05512BMBT00A	STICKER "RACING"	2	2	2	2	2	2	2
5-13	65616BM0r000	RUBBER WASHER	2	2	2	2	2	2	2
5-14	B05075001305	TAPPING SCREW 5X13	1	1	1	1	1	1	1
5-15	B05075001205	TAPPING SCREW 5X12	4	4	4	4	4	4	4
5-16	65608BMBT000	CAP, DECORATION	2	2	2	2	2	2	2
5-17	B05075001205	TAPPING SCREW 5X12	4	4	4	4	4	4	4
5-18	80300BMBT000	SIDE REFLECTOR (DOT)	2	2	2	2	2	2	2
5-19	B04070600065	NUT M6	2	2	2	2	2	2	2



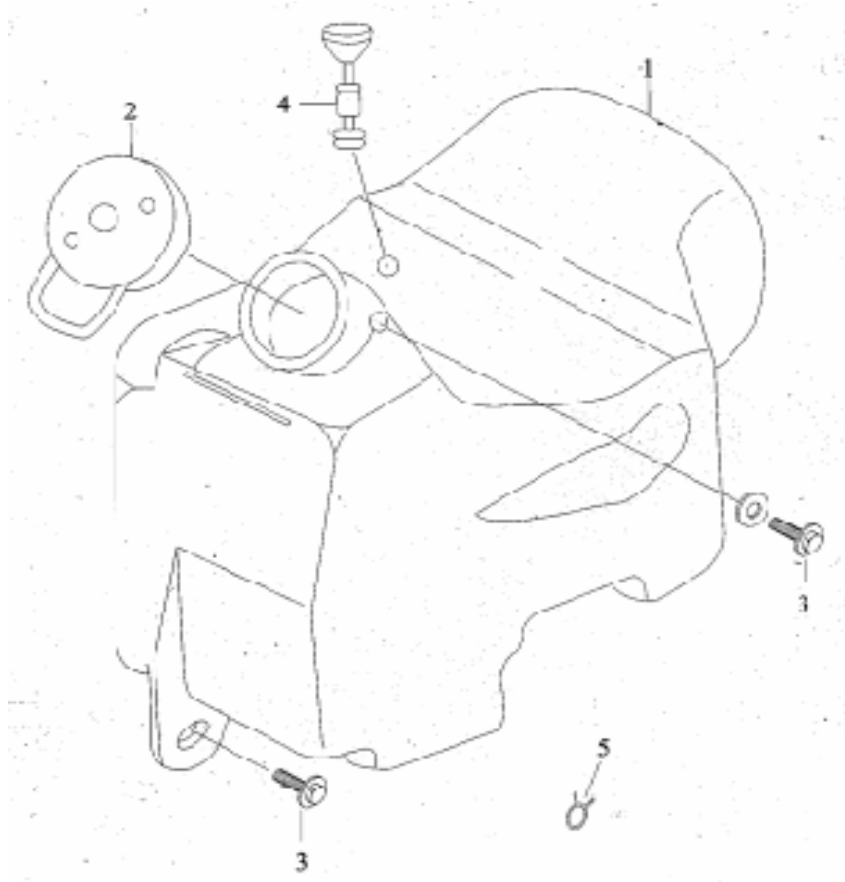
Enlarged figure
next page

F05 SIDECOVER



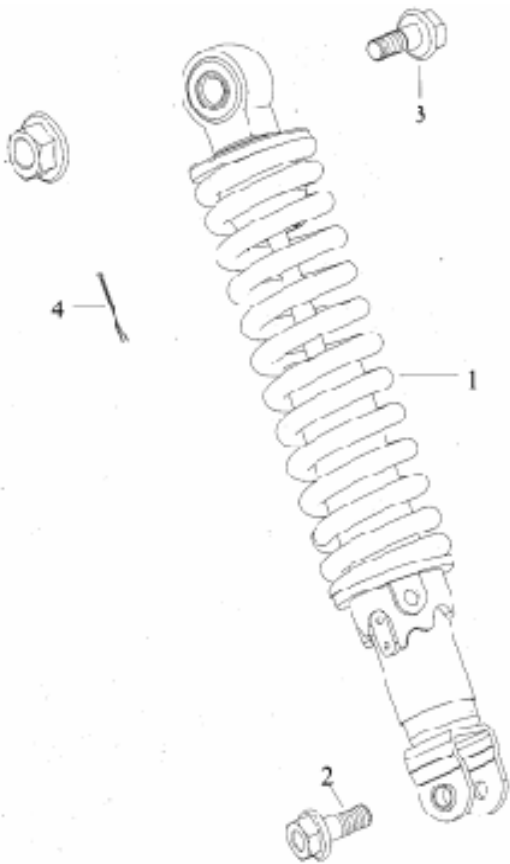
F06 OIL TANK

REF#	PARTS #	DESCRIPTION	QTY.	2000	2001	2002	2003	2004	2005
6-1	64001BMAT000	OIL TANK	1	1	1	1	1	1	1
6-2	64090BMAT000	OIL TANK CAP	1	1	1	1	1	1	1
6-3	B01090601665	BOLT 6X16	2	2	2	2	2	2	2
6-4	64100BMAT000	OIL LEVER GAUGE ASSY	1	1	1	1	1	1	1
6-5	50307BMOT000	CLIP 8	1	1	1	1	1	1	1



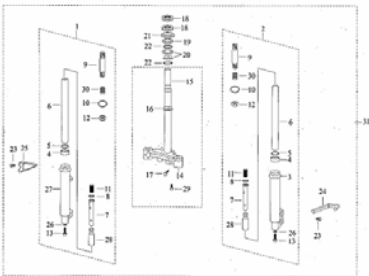
F07 REAR SUSPENSION

REF#	PARTS #	DESCRIPTION	QTY.	2000	2001	2002	2003	2004	2005
7-1	63100BM0TC10	RR.ABSORBER COMP, (SILVER)	1	1	1	1	1	1	1
7-2	63015J0ET000	FLANGE BOLT (GOLD COLORED)	1	1	1	1	1	1	1
7-3	B01141004063	BOLT W /HOLE 10X40	1	1	1	1	1	1	1
7-4	63016B0DT000	SPLIT PIN (GOLD COLORED)	1	1	1	1	1	1	1



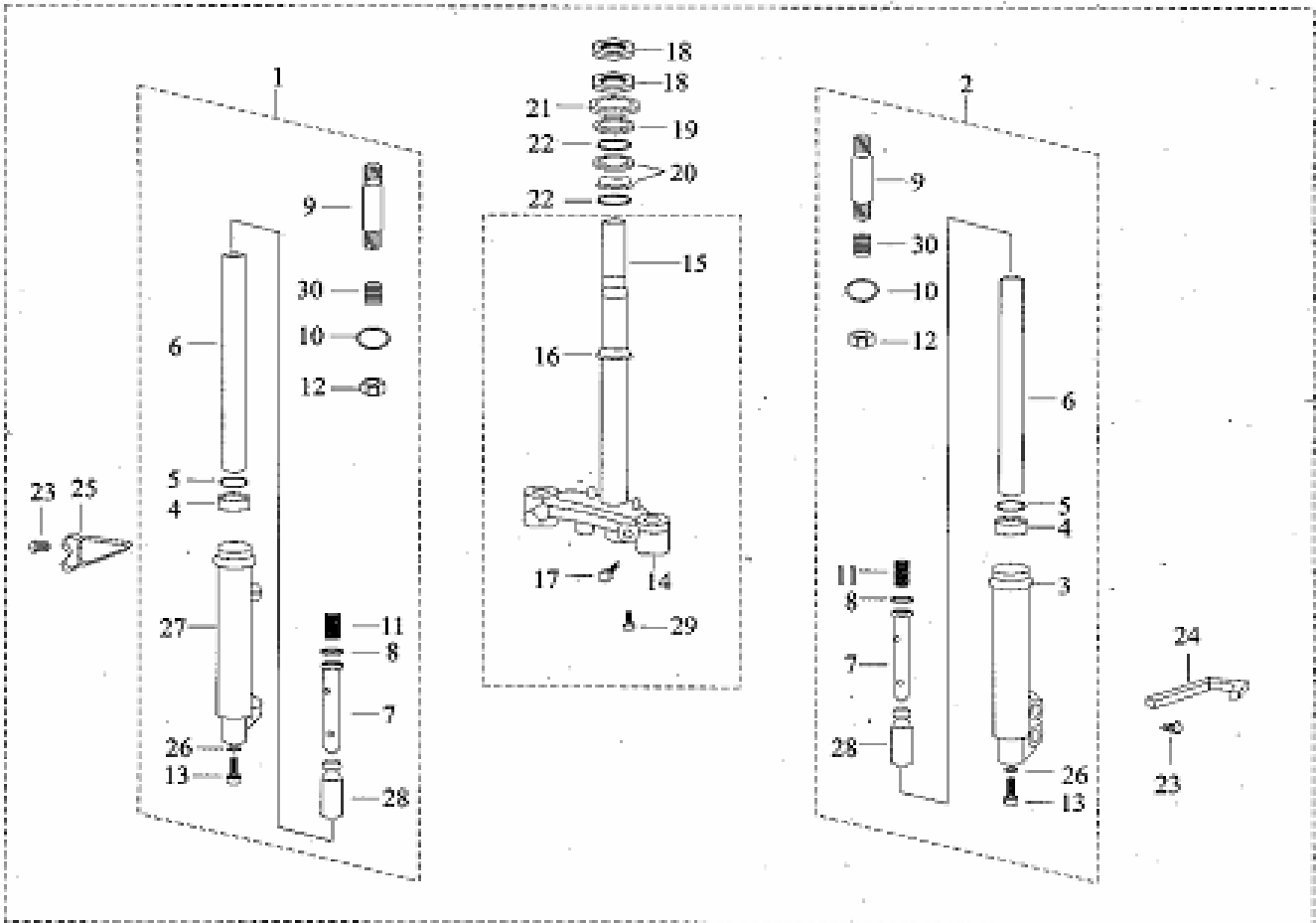
F08 FRONT FORK

REF#	PARTS #	DESCRIPTION	QTY.	2000	2001	2002	2003	2004	2005
8-1	43300BMBT001	F.R.FORK ASSY.	1	1	1	1	1	1	1
8-2	43200BMBT001	F. L. FORK ASSY.	1	1	1	1	1	1	1
8-3	43201BMBT001	OUTER TUBE 1	1	1	1	1	1	1	1
8-4	43260K00P000	OIL SEAL	2	2	2	2	2	2	2
8-5	43207K00P000	CLIP	2	2	2	2	2	2	2
8-6	43230BMBT001	INNRE TUBE COMP	2	2	2	2	2	2	2
8-7	43214BMBT001	FR. FORK PISTON	2	2	2	2	2	2	2
8-8	43208BMBT001	PISTON RING	2	2	2	2	2	2	2
8-9	43202BMBT001	SPRING	2	2	2	2	2	2	2
8-10	B190123200B0	O-RING 23.2X2.65	2	2	2	2	2	2	2
8-11	43203BMBT001	FR. FORK SPRING	2	2	2	2	2	2	2
8-12	43204BMBT001	CAP BOLT	2	2	2	2	2	2	2
8-13	B02050802565	BOLT 8X25MM	2	2	2	2	2	2	2
8-14	43035BMBT000	BRAKE HOSE HOLDER 2	1	1	1	1	1	1	1
8-15	43100BMBT003	UNDER BRACKET COMP.	1	1	1	1	1	1	1
8-16	43004BMBT000	BALL RACE 4	1	1	1	1	1	1	1
8-17	B01091003065	FLANGE BOLT 10X1.25X30	2	2	2	2	2	2	2
8-18	43008BMBT000	NUT (BLACK0	2	2	2	2	2	2	2
8-19	43001BMBT001	BALL RACE,CONNECTING	1	1	1	1	1	1	1
8-20	43003BMBT000	BALL RACE 2	2	2	2	2	2	2	2
8-21	43005BMBT001	BALL RACE COVER	1	1	1	1	1	1	1
8-22	B06010150000	STEEL BAL 5	42	42	42	42	42	42	42
8-23	B01070601625	PAN HEAD SCREW 6X16	2	2	2	2	2	2	2
8-24	43021BMBT002	FR. BRAKE HOSE HOLDER	1	1	1	1	1	1	1
8-25	43150BMBT000	CABLE HOLDER	1	1	1	1	1	1	1
8-26	43209J0AP000	GASKET	2	2	2	2	2	2	2
8-27	43301BMBT001	OUTER TUBE 2	1	1	1	1	1	1	1
8-28	43211BMBT001	CUSHION COVER	2	2	2	2	2	2	2
8-29	B01090601265	FLANGE BOLT 6X12	1	1	1	1	1	1	1
8-30	43290BK00P000	COVER, ANTI-DUST	2	2	2	2	2	2	2
8-31	43000BMBT00 1	FRONT FORK ASSY.	1	1	1	1	1	1	1



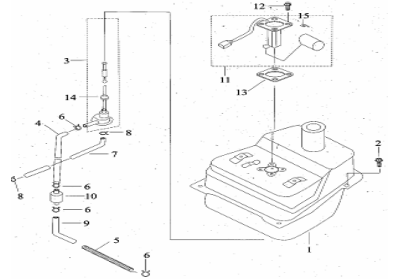
Enlarged figure next page

F08 FRONT FORK



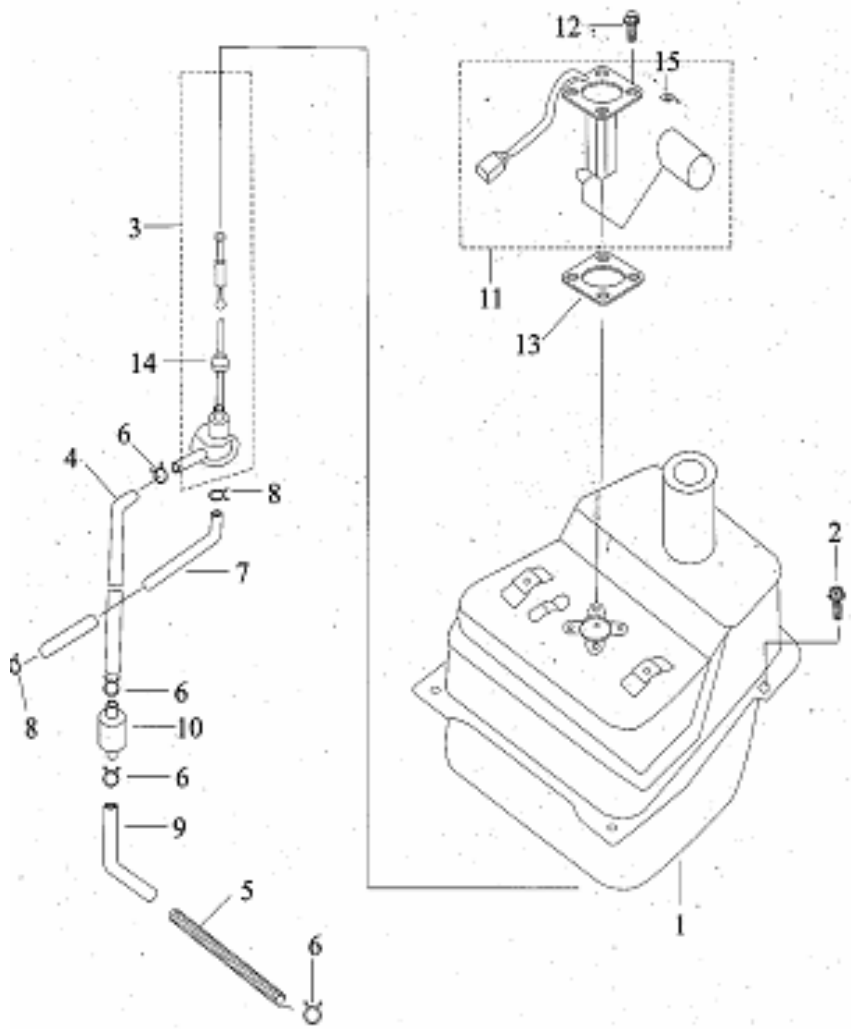
F09 FUEL TANK

REF#	PARTS #	DESCRIPTION	QTY.	2000	2001	2002	2003	2004	2005
9-1	50100BMBT001	FUEL TANK COMP.	1	1	1	1	1	1	1
9-2	B01090601665	FLANGE BOLT 6X16	4	4	4	4	4	4	4
9-3	50300BM0T000	FUEL COCK ASSY.	1	1	1	1	1	1	1
9-4	50301BM0T000	FUEL HOSE, 1 (4.5X8.5)	1	1	1	1	1	1	1
9-5	50316BMBT000	SPRING	1	1	1	1	1	1	1
9-6	50307BM0T000	CLIP 8MM	4	4	4	4	4	4	4
9-7	50302BM0T000	VACUUM HOSE, 1 (4X8)	1	1	1	1	1	1	1
9-8	50306BM0T000	CLIP 7MM	2	2	2	2	2	2	2
9-9	50303BM0T000	FUEL HOSE, 2(4.5X8.5)	1	1	1	1	1	1	1
9-10	50340BMBT000	FUEL FILTER ASSY.	1	1	1	1	1	1	1
9-11	50800BMBT000	SENDER UNIT	1	1	1	1	1	1	1
9-12	50801BM0T000	BOLT 5X14	4	4	4	4	4	4	4
9-13	50004BMBT000	SENDER UNIT GASKET	1	1	1	1	1	1	1
9-14	50312JOET000	SEAL RING	1	1	1	1	1	1	1
9-15	B07020000505	WASHER 5	4	4	4	4	4	4	4



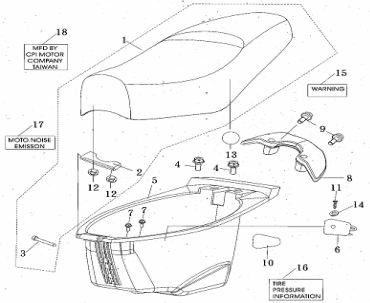
Enlarged figure
next page

F09 FUEL TANK



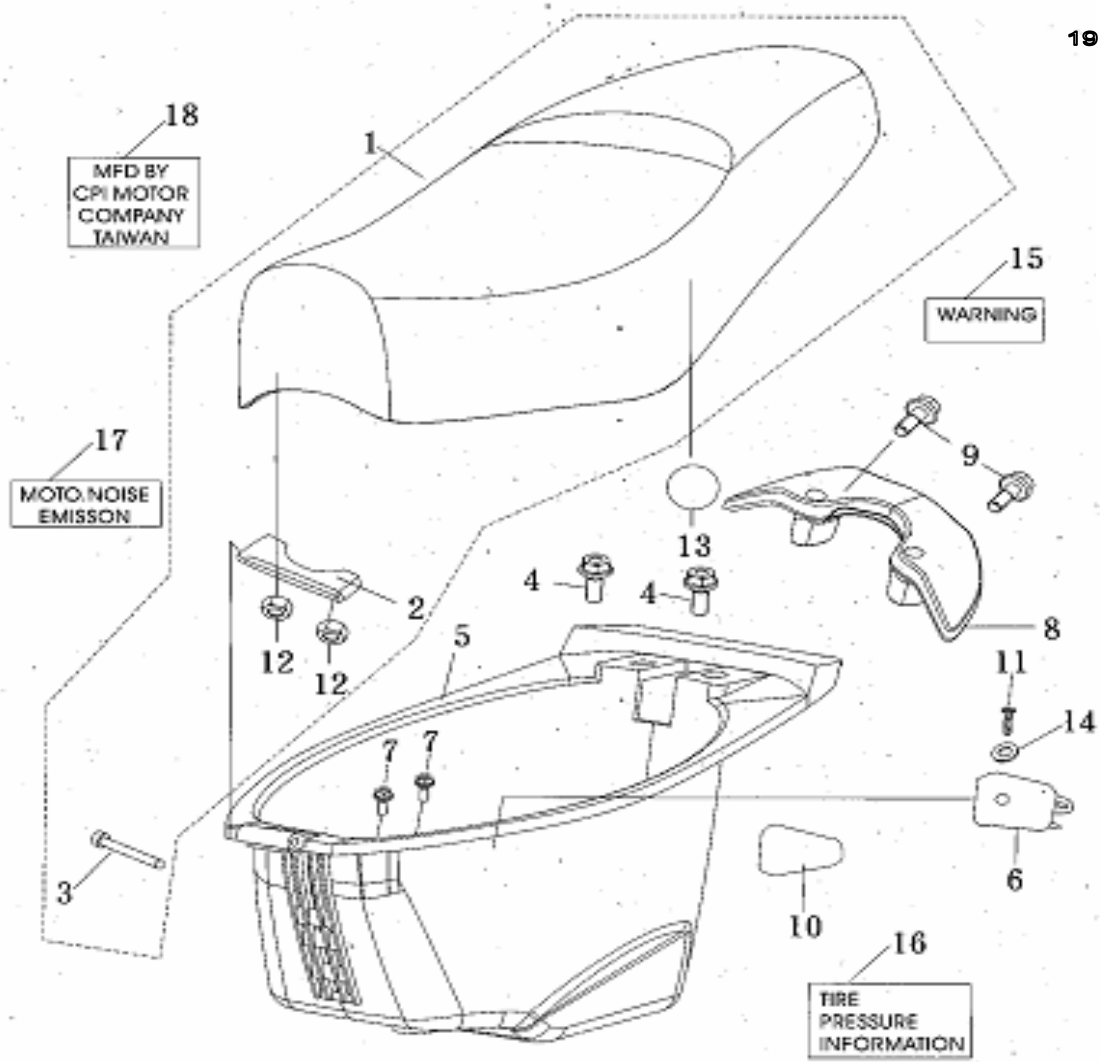
F10 SEAT AND LUGGAGE BOX

REF#	PARTS #	DESCRIPTION	QTY.	2000	2001	2002	2003	2004	2005
10-1	51100BMBT000	SEAT ASSY.(GRAY)	1	1	1	1	1	1	1
10-2	51080BMBT000	SEAT HINGE	1	1	1	1	1	1	1
10-3	51001BMBT000	BOLT/SEAT HINGE	1	1	1	1	1	1	1
10-4	08011H60X000	BOLT M6X14	2	2	2	2	2	2	2
10-5	51004BMBT000	LUGGAGE BOX	1	1	1	1	1	1	1
10-6	51005BMBT00 1	COVERLUGGAGE BOX	1	1	1	1	1	1	1
10-7	B01090601265	FLANGE BOLT 6X12	2	2	2	2	2	2	2
10-8	52011 BMBTG 70	RR. CARRIER COMP., GREEN	1	1	1	1	1	1	1
	52011 BMBTYA0	RR.CARRIER COMP., YELLOW	1	1	1	1	1	1	1
	52011 BMBTRB0	RR.CARRIER GOMP., RED	1	1	1	1	1	1	1
	52011 BMBTLE0	RR.CARRIER COMP., BLUE	1	1	1	1	1	1	1
	52011BMBTSPE	RR.CARRIER COMP., SPECIAL	1					1	1
	52011BMBTRCO	RR.CARRIER COMP.,COPPER	1	1	1	1	1	1	1
10-9	52011 BMBTC1 0 .	RR.CARRIER COMP., SILVER	1	1	1	1	1	1	1
10-9	B02050803565	SOCKET BOLT8X35	2	2	2	2	2	2	2
10-10	51013BMBT000	DAMPER	3	3	3	3	3	3	3
10-11	B05075001605	SCREW 5X 1 6	1	1	1	1	1	1	1
10-12	B04070600063	NUT 6MM	2	2	2	2	2	2	2
10-13	08032BM0T000	O-RING	1	1	1	1	1	1	1
10-14	B07020000505	WASHER 5	1	1	1	1	1	1	1
10-15	05535BMBT000	WARNING STICKER (DOT)	1	1	1	1	1	1	1
10-16	05533BMBT000	TIRE PRESSURE (DOT)	1	1	1	1	1	1	1
10-17	05536BMBT000	NOISE. CONTROL (DOT)	1	1	1	1	1	1	1
10-18	05532BMBT000	STICKER (DOT)	1	1	1	1	1	1	1
10-9	PUM-X50-0001 SV	X-PEED LUGGAGE BOX COMP SILVER	1	1	1	1	1	1	1
	PUM-X50-0001-GR	X-PEED LUGGAGE BOX COMP GREEN	1	1	1	1	1	1	1
	PUM-X50-0001-RD	X-PEED LUGGAGE BOX COMP RED	1	1	1	1	1	1	1
	PUM-X50-0001-CO	X-PEED LUGGAGE BOX COMP COPPER	1	1	1	1	1	1	1
	PUM-X50-0001-YW	X-PEED LUGGAGE BOX COMP YELLOW	1	1	1	1	1	1	1
	PUM-X50-0001-BU	X-PEED LUGGAGE BOX COMP BLUE	1	1	1	1	1	1	1



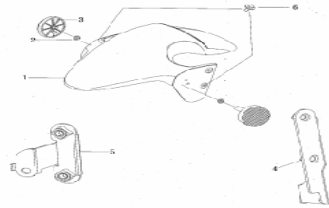
Enlarged figure next page

F10 SEAT



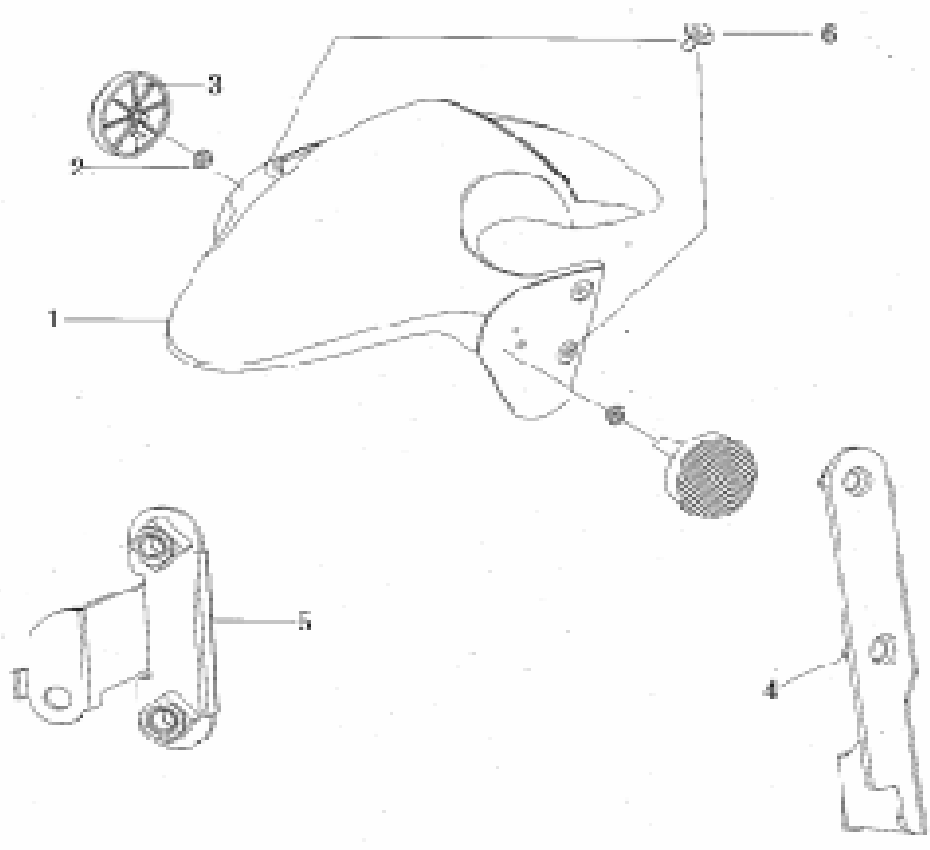
F11 FRONT FENDER

REF#	PARTS #	DESCRIPTION	QTY.	2000	2001	2002	2003	2004	2005
11-1	65101BMBTC10	FRONT FENDER, SILVER	1	1	1	1	1	1	1
	65101BMBTSPE	FRONT FENDER, SPECIAL	1					1	1
	65101BMBTRB0	FRONT FENDER, RED	1	1	1	1	1	1	1
	65101BMBTYA0	FRONT FENDER, COPPER	1	1	1	1	1	1	1
	65101BMBTDKOR	FRONT FENDER, DARK ORANGE	1	1	1	1	1	1	1
	65101BMBTG70	FRONT FENDER, GREEN	1	1	1	1	1	1	1
	65101BMBTLE0	FRONT FENDER, BLUE	1	1	1	1	1	1	1
	65101BMBTYEL	FRONT FENDER, YELLOW	1	1	1	1	1	1	1
	65101BMBTDKYW	FRONT FENDER, DARK YELLOW	1	1	1	1	1	1	1
11-2	B04070600065	FLANGE NUT 6MM	2	2	2	2	2	2	2
11-3	86300BMAT000	REAR REFLECTOR	2	2	2	2	2	2	2
11-4	65130BMBT000	FRONT FENDER BRACKET, 1	1	1	1	1	1	1	1
11-5	65140BMBT000	FRONT FENDER BRACKET, 2	1	1	1	1	1	1	1
11-6	65114BMBT000	SCREW W/WASHER 6X16(BLACK)	4	4	4	4	4	4	4



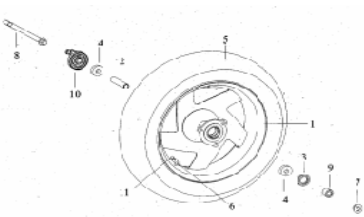
Enlarged figure next page

F11 FRONT FENDER



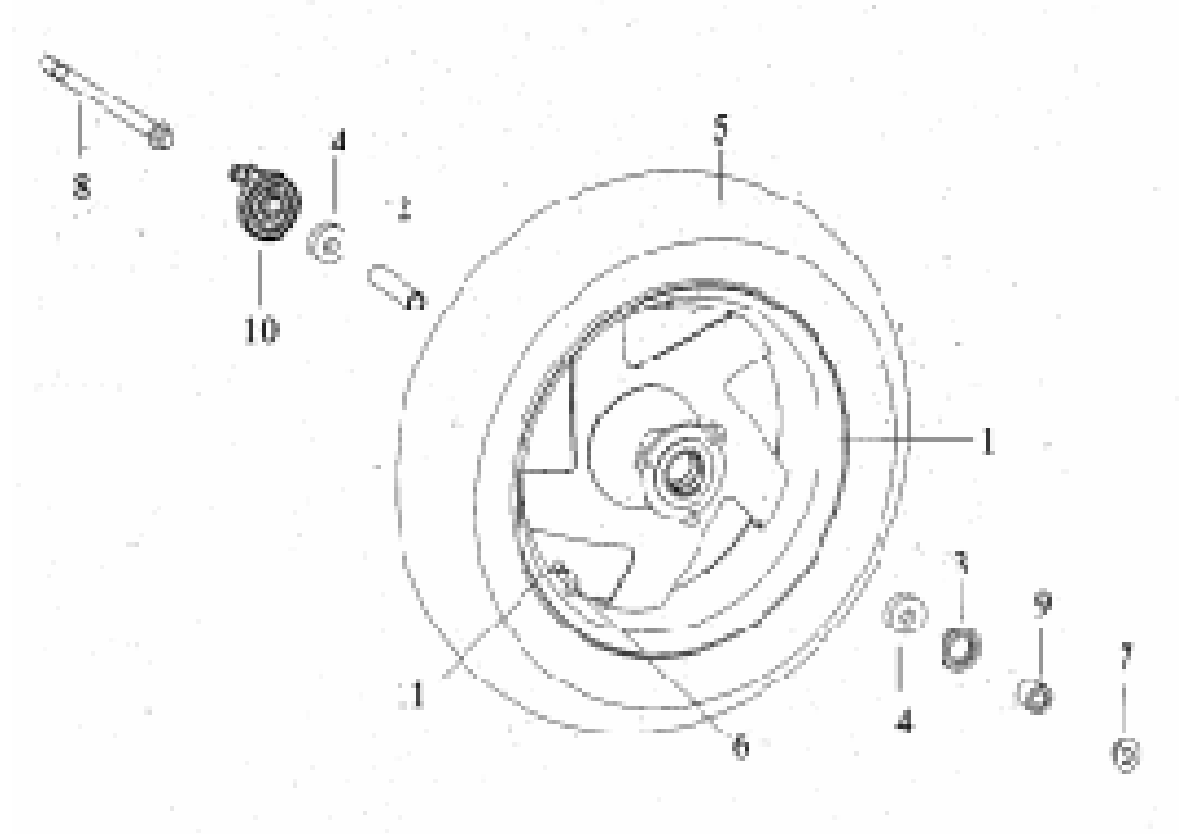
F12 FRONT WHEEL

REF#	PARTS #	DESCRIPTION	QTY.	2000	2001	2002	2003	2004	2005
12-1	44100BM0THAA	RIM COMP.3.5X12" (ALUMINIUM BLACK)	1	1	1	1	1	1	1
	44100BM0THA0	RIM COMP.3.5X12" (STEEL BLACK)	1	1	1	1	1	1	1
	44100BM0THAB	RIM COMP. 3.5X12" (RED)	1					1	1
12-2	44600BM0T910	DISTANCE COLLAR COMP.	1	1	1	1	1	1	1
12-3	44300BM0T000	OIL SEAL 22X35X7 .R.	1	1	1	1	1	1	1
12-4	B120146020100	BALL BEARING 6201-2RS	2	2	2	2	2	2	2
12-5	B140107D12AB	TIRE 120/70-12(DOT)	1	1	1	1	1	1	1
12-6	B1403Z201100	RIM VALVE	1	1	1	1	1	1	1
12-7	B04171212563	FLANGE U NUT 1 2XI .25MM	1	1	1	1	1	1	1
12-8	44004G4CT000	FR.WHEEL AXLE M 12XI .25X224(GOLD COLORE	1	1	1	1	1	1	1
12-9	44005BM0T000	COLLAR	1	1	1	1	1	1	1
12-10	44200BM0T000	SPEEDOMETER GEAR COMP	1	1	1	1	1	1	1
12-11	B1404Z2011C0	CAP, VALVE	1	1	1	1	1	1	1



Enlarged figure
next page

F12 FRONT WHEEL



F13 FRONT DISK BRAKE

REF#	PARTS #	DESCRIPTION	QTY.	2000	2001	2002	2003	2004	2005
13-1	45029J00P000	PLATE WASHER	4	4	4	4	4	4	4
13-2	45009BMBT000	MASTER CYLINER BODY	1	1	1	1	1	1	1
13-3	45140J00P000	PISTON ASSY.	1	1	1	1	1	1	1
13-4	45011J1DT00	RESERVOIR DIAPHRAGM	1	1	1	1	1	1	1
13-5	45012BMBT000	RESERVOIR CAP	1	1	1	1	1	1	1
13-6	B02010401025	FLAT HEAD SCREW 4X1 0	2	2	2	2	2	2	2
13-7	45023J1DT000	MASTER CYLINDER BRACKET.	1	1	1	1	1	1	1
13-8	B01070602365	BOLT 6X23MM	2	2	2	2	2	2	2
13-9	45200BMBT001	FR. BRAKE HOSE(DOn	1	1	1	1	1	1	1
13-10	45037J00P000	UNION BOLT	2	2	2	2	2	2	2
13-11	45400BMBTB30	CYLINDER COMP	1	1	1	1	1	1	1
13-12	45000J4FT003	DISC BRAKE ASSY., FR, (UP BLACK, DOWN RED)	1	1	1	1	1	1	1
13-1-1	45033BM0T001	BRAKE DISC (ALUMINIUM)	1	1	1	1	1	1	1
13-1-2	45033BMBTC20	BRAKE DISK (STEEL)	1	1	1	1	1	1	1
13-14-1	45036JJ0T000	BOLT (GOLD COLORED)	3	3	3	3	3	3	3
13-14-2	45036BMAT000	BOLT (GOLD COLORED)	3	3	3	3	3	3	3
13-15	45062BMBT000	BLOCKING MASS	1	1	1	1	1	1	1
13-16	45001J4FT000	CALIPER BODY	1	1	1	1	1	1	1
13-17	45019J00P000	BREED SCREW	1	1	1	1	1	1	1
13-18	45012J00P000	BREED SCREW CAP	1	1	1	1	1	1	1
13-19	45006J4FT000	OIL PLUG	1	1	1	1	1	1	1
13-20	45008J00P000	SEAL OIL PLUG	1	1	1	1	1	1	1
13-21	45007J3AT000	COVER DUST SEAL	1	1	1	1	1	1	1
13-22	45017G0CP000	PAD SUPPORT 1	1	1	1	1	1	1	1
13-23	45110J4FT000	BRAKE PAD KIT	SET	2 SET	3 SET	4 SET	5 SET	6 SET	6 SET
13-24	45057G0KP000	TENSION SPRING LEVER	1	1	1	1	1	1	1
13-25	45039J4FT000	BOLT (GOLD COLORED)	2	2	2	2	2	2	2
13-26	45022J3AT000	DISC BRAKE LEVER	1	1	1	1	1	1	1
13-27	40024J1CT000	BOLT 6MM	1	1	1	1	1	1	1
13-28	B04160600065	NUT 6MM	1	1	1	1	1	1	1
13-29	45015J1CT000	DUST COVER I,GUIDE POLE	1	1	1	1	1	1	1
13-30	45500J4FTR90	CALIPER ASSY. (RED)	1	1	1	1	1	1	1

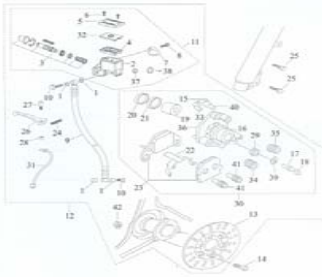


Enlarged figure
2 pages down

13-31	45300J3AT000	STOP SWITHCH ASSY	1	1	1	1	1	1	1
-------	--------------	-------------------	---	---	---	---	---	---	---

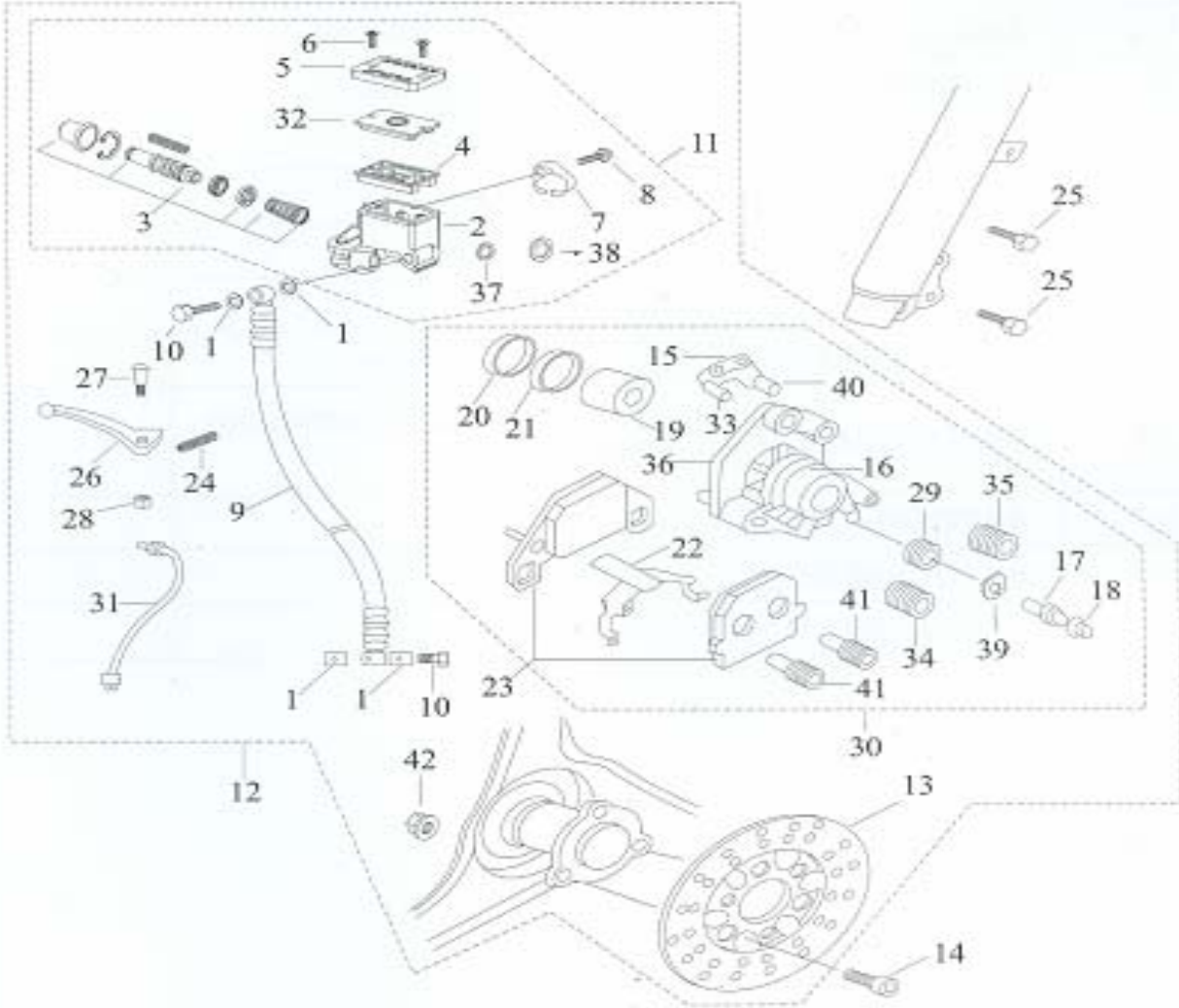
F13 FRONT DISK BRAKE CONTINUED

REF#	PARTS #	DESCRIPTION	QTY.	2000	2001	2002	2003	2004	2005
13-32	45013J1DT000	WASHER CYLINDER	1	1	1	1	1	1	1
13-33	45014G0CT000	GUIDE AXLE	2	2	2	2	2	2	2
13-34	45015K00P000	DUST COVER 1 ,GUIDE POLE	1	1	1	1	1	1	1
13-35	45016G00P000	DUST COVER 11 ,GUIDE POLE	1	1	1	1	1	1	1
13-36	45025J4FT000	CONNECTING BRACKET	1	1	1	1	1	1	1
13-37	45170F00P000	MIRROR ASSY. ,OIL INSPECTION	1	1	1	1	1	1	1
13-38	45031K00P000	SEAL, MIRROR	1	1	1	1	1	1	1
13-39	B070600008000	WAVE WASHER	1	1	1	1	1	1	1
13-40	45072G0CP000	GUIDE AXLE	1	1	1	1	1	1	1
13-41	45053G0CP000	GUIDE POLE	2	2	2	2	2	2	2
13-42	B04171012563	FLANGE NUT 10X 1.25	3	3	3	3	3	3	3



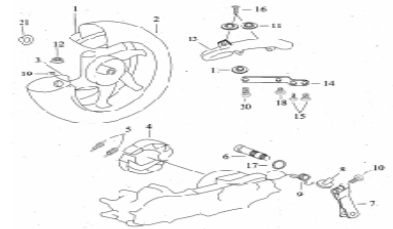
Enlarged figure
next page

F13 FRONT DISK BRAKE



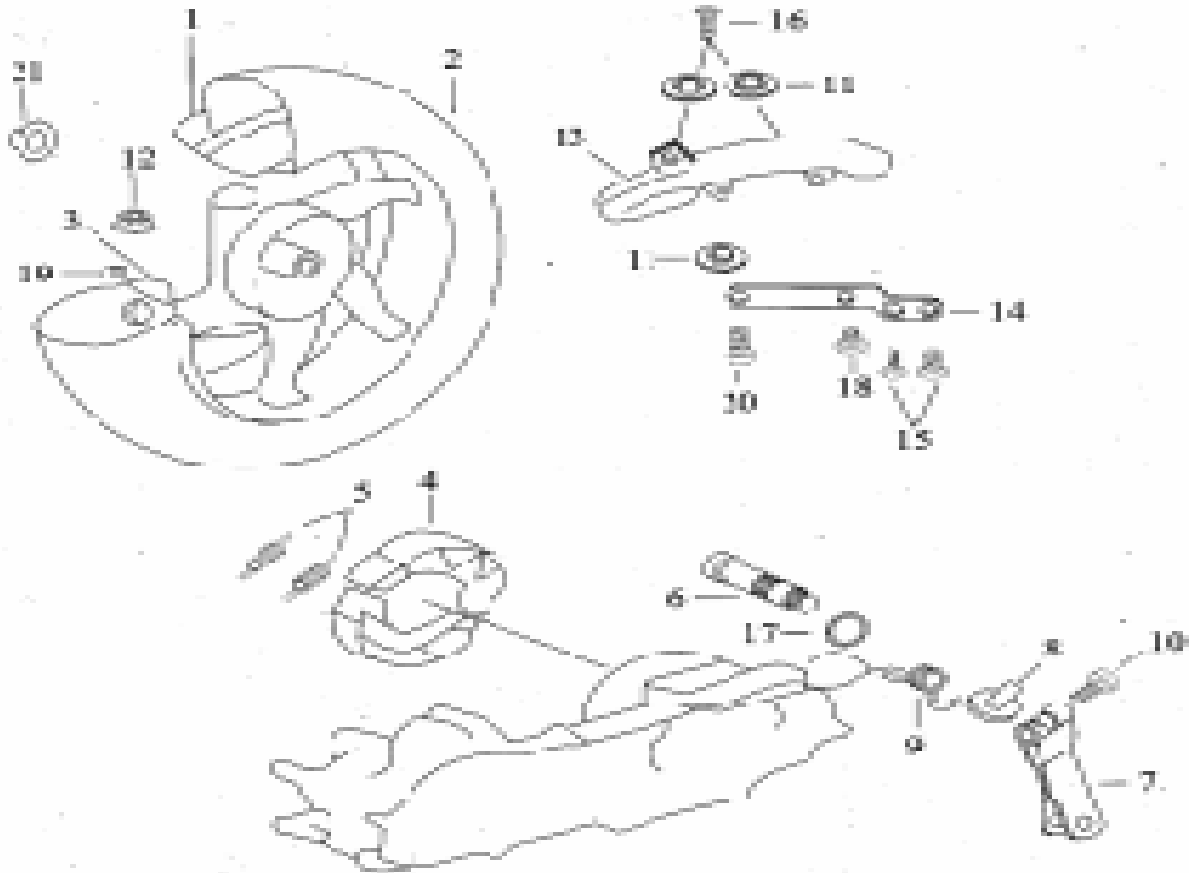
F14 REAR WHEEL

REF#	PARTS #	DESCRIPTION	QTY.	2000	2001	2002	2003	2004	2005
14-1	54100BM0THAA	RIM COMP,3.5X12" (ALUMINUM BLACK)	1	1	1	1	1	1	1
	54100BM0THA0	RIM COMP,3.5X12" (STEEL BLACK)	1	1	1	1	1	1	1
	54100BM0THAB	RIM COMP, 3.5X12" (RED)	1					1	1
14-2	B140108D12BB	TIRE 130/70- 12(DOT)	1	1	1	1	1	1	1
14-3	B1403Z201100	RIM VALVE Z2-01-1	1	1	1	1	1	1	1
14-4	54200BMBT000	BRAKE SHOE KIT	2	2	2	2	2	2	2
14-5	54001BMBT000	SPRING (BLACK)	2	2	2	2	2	2	2
14-6	54003BM0T000	CAM SHAFT, 2	1	1	1	1	1	1	1
14-7	54007BM0T000	CAM SHAFT LEVER, 2	1	1	1	1	1	1	1
14-8	54002BM0T000	INDICATOR PLATE	1	1	1	1	1	1	1
14-9	54008BM0T000	TENSION SPRING	1	1	1	1	1	1	1
14-10	08012BM0T000	HEX.BOLT 6X30 (GOLD COLORED)	1	1	1	1	1	1	1
14-11	65709BM0T000	BUSH,RR,FENDER	3	3	3	3	3	3	3
14-12	B04171615063	U NUT 16X1 .5MM	1	1	1	1	1	1	1
14-13	65701BM0T000	REAR FENDER	1	1	1	1	1	1	1
14-14	65770BM0T000	RR.FENDER BRACKET,R,	1	1	1	1	1	1	1
14-15	B01090601265	FLANGE BOLT 6X12	2	2	2	2	2	2	2
14-16	B01090602065	BOLT 6X20	2	2	2	2	2	2	2
14-17	54021BM0T000	O-RING	1	1	1	1	1	1	1
14-18	B01090600865	BOLT	1	1	1	1	1	1	1
14-19	B1404Z2011C0	CAP, VALVE	1	1	1	1	1	1	1
14-20	B01090601665	BOLT 6X16	1	1	1	1	1	1	1
14-21	54027BM0T000	CAP	1	1	1	1	1	1	1



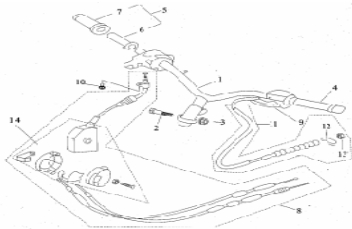
Enlarged figure
next page

F14 REAR WHEEL



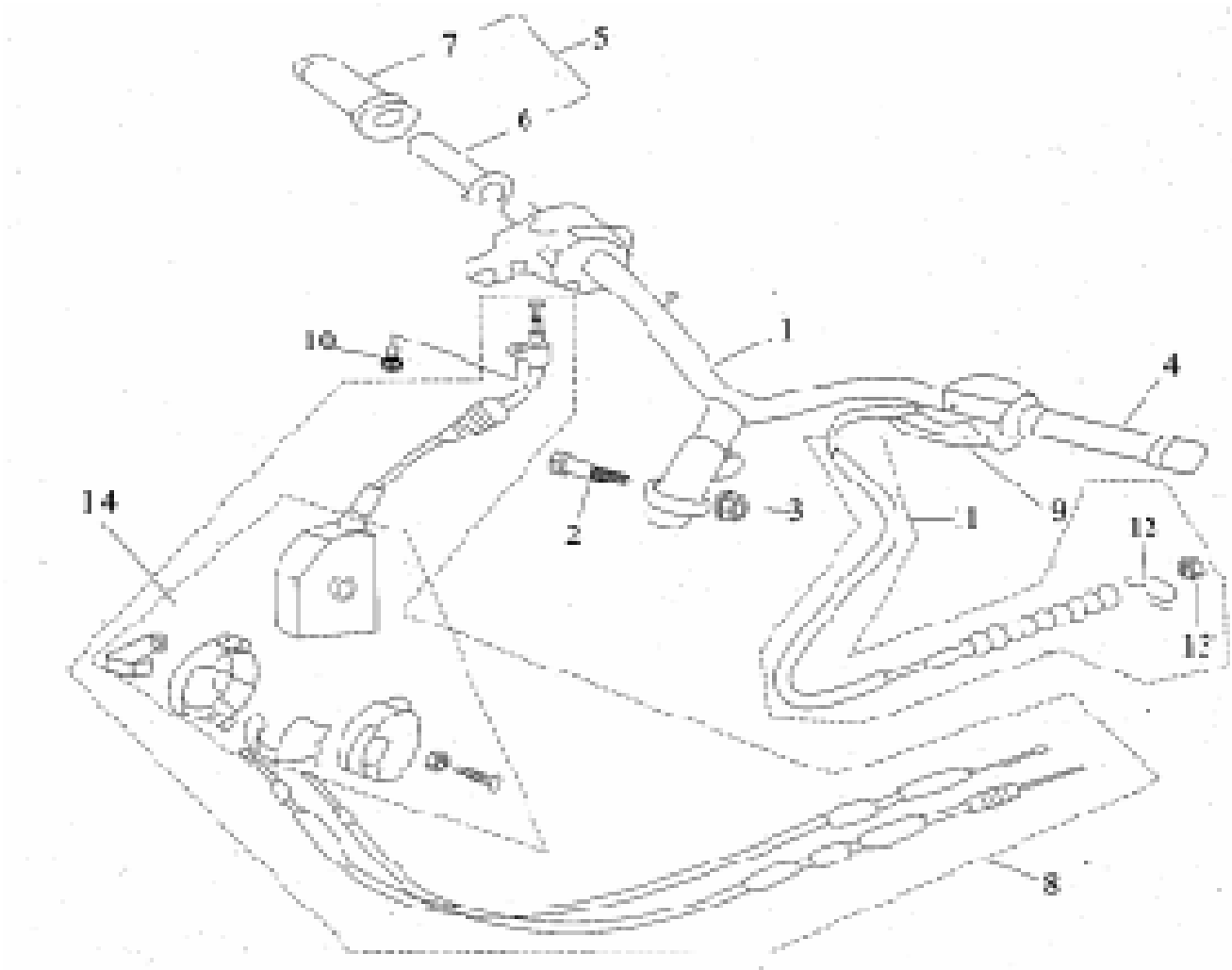
F15 STEERING HANDLE

REF#	PARTS #	DESCRIPTION	QTY.	2000	2001	2002	2003	2004	2005
15-1	40100BMBT000	HANDLE COMP.	1	1	1	1	1	1	1
15-2	B01091004565	FLANGE BOLT 10X1 .25X45	1	1	1	1	1	1	1
15-3	B04171012565	U NUT 10X1.25MM	1	1	1	1	1	1	1
15-4	40001BMBT000	L.GRIP	1	1	1	1	1	1	1
15-5	40210BMBT000	R.GRIP ASSY.	1	1	1	1	1	1	1
15-6	40211BMBT000	R.GRIP	1	1	1	1	1	1	1
15-7	40212BMBT000	THROTTLE GUIDE TUBE	1	1	1	1	1	1	1
15-8	40300BM0T000	BRAKE CABLE	1	1	1	1	1	1	1
15-9	40000BM0T000	JACKET,RR.BRAKE CABLE	1	1	1	1	1	1	1
15-10	B02000501025	PAN HEAD SCREW 5X10	1	1	1	1	1	1	1
15-11	40270BMBT000	THROTLE CABLE	1	1	1	1	1	1	1
15-12	40273BM0T000	PIN,STOPPER (GOLD COLORED)	1	1	1	1	1	1	1
15-13	40271BM0T000	NUT,ADJUSTING (GOLD COLORED)	1	1	1	1	1	1	1
15-14	40340BM0T000	JUNCTION BOX	1	1	1	1	1	1	1



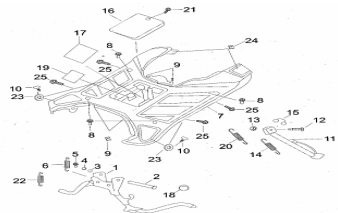
Enlarged figure
next page

F15 STEERING HANDLE



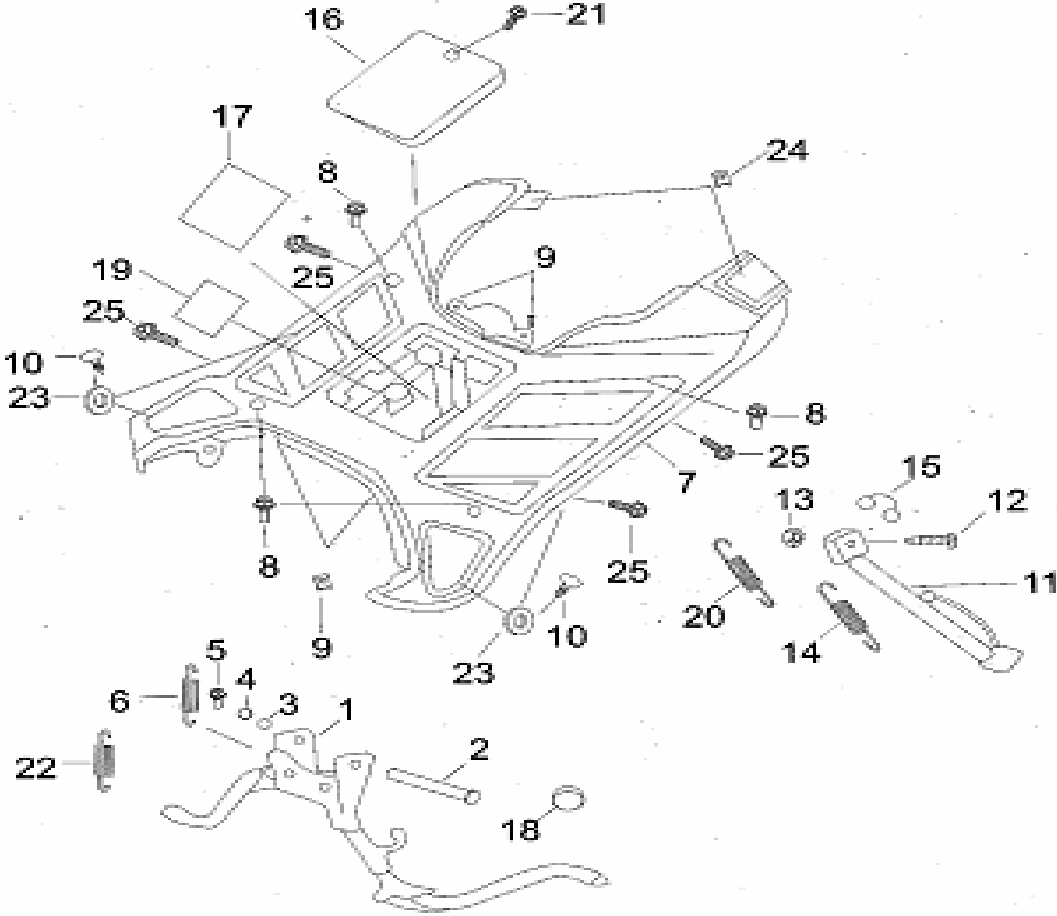
F16 STANDFOOTREST

REF#	PARTS #	DESCRIPTION	QTY.	2000	2001	2002	2003	2004	2005
16-1	58520BM0T002	MAIN STAND COMP.	1	1	1	1	1	1	1
16-2	58590BM0T000	PIN (BLACK)	1	1	1	1	1	1	1
16-3	B190101000A0	O-RING 10X1 .8	1	1	1	1	1	1	1
16-4	58508B0DT000	PLATE WASHER (BLACK)	1	1	1	1	1	1	1
16-5	63016B0DT000	SPLIT PIN (BLACK)	1	1	1	1	1	1	1
16-6	58502BM0T001	TENSION SPRING	1	1	1	1	1	1	1
16-7	65401BM0T000	FLOOR.BLACK	1	1	1	1	1	1	1
16-8	08011H60X000	BOLT(BLACK)	4	4	4	4	4	4	4
16-9	65801BMAT000	SPRING NUT 4 (BLACK)	4	4	4	4	4	4	4
16-10	B05074001605	TAPPING SCREW 4X16	4	4	4	4	4	4	4
16-11	58700BM0T000	SIDE STAND COMP.	1	1	1	1	1	1	1
16-12	57005BODT000	BOLT,SIDESTAND MOUNTING	1	1	1	1	1	1	1
16-13	B04070800065	U NUT 8MM	1	1	1	1	1	1	1
16-14	57003BM0T001	TENSION SPRING	1	1	1	1	1	1	1
16-16	65813BMBT000	BATTERY COVER	1	1	1	1	1	1	1
16-17	65811BMBT000	,BATTERY DAMPERI	1	1	1	1	1	1	1
16-18	58507BM0T000	CUSHION, MID STAND	1	1	1	1	1	1	1
16-19	65812BMBT000	BATTERY DAMPER 1	1	1	1	1	1	1	1
16-20	57004BM0T001	TENSION SPRING	1	1	1	1	1	1	1
16-21	B05075001605	TAPPING SCREW 5X16	1	1	1	1	1	1	1
16-22	58512BM0T001	TENSION SPRING	1	1	1	1	1	1	1
16-23	B07030000505	WASHER	4	4	4	4	4	4	4
16-24	65802BMAT000	SPRING NUT 5 (BLACK)	2	2	2	2	2	2	2
16-25	B01090601265	BOLT 6X12	4	4	4	4	4	4	4



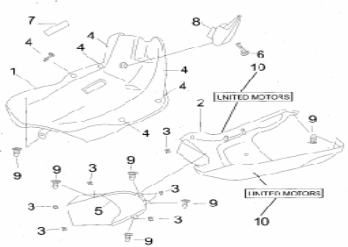
Enlarged figure
next page

F16 STANDFOOTREST



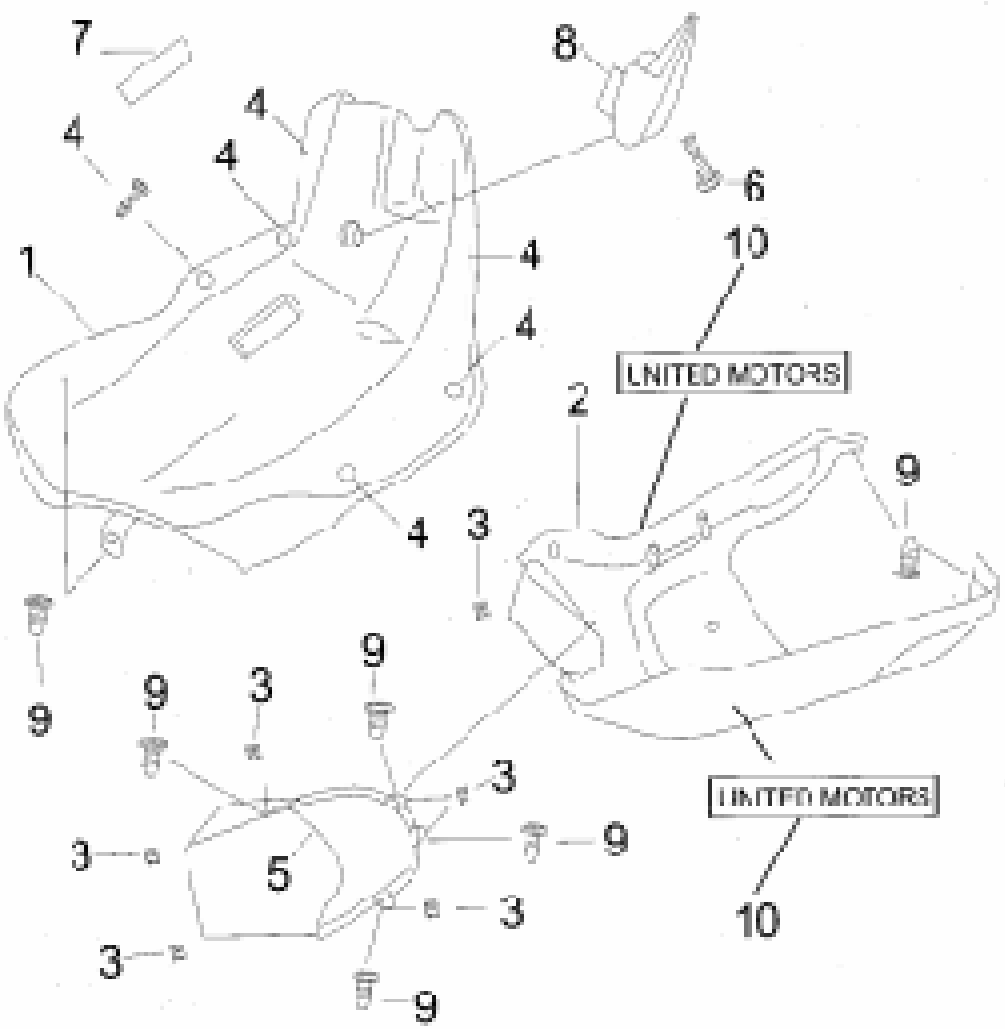
F17 LEG SHIELD

REF#	PARTS #	DESCRIPTION	QTY.	2000	2001	2002	2003	2004	2005
17-1	65402BMBT000	LEG SHIELD.2	1	1	1	1	1	1	1
	65406BMBTC10	UNDER COVER, SILVER	1	1	1	1	1	1	1
	65406BMBTRB0	UNDER COVER, RED	1	1	1	1	1	1	1
17-2	65406BMBTYA0	UNDER COVER, ORANGE	1	1	1	1	1	1	1
	65406BMBTG70	UNDER COVER, GREEN	1	1	1	1	1	1	1
	65406BMBTSPE	UNDER COVER, SPECIAL	1					1	1
	65406BMBTLE0	UNDER COVER, BLUE	1	1	1	1	1	1	1
17-3	65801BMAT0Q0	SPRING NUT 4MM	8	8	8	8	8	8	8
17-4	B05074801605	TAPPING SCREW 4.8X16	6	6	6	6	6	6	6
17-5	65407BMBT000	INNER FENDER	1	1	1	1	1	1	1
17-6	B01090603065	BOLT 6X30	1	1	1	1	1	1	1
17-7	65403BMBT000	INSPECT COVER	1	1	1	1	1	1	1
17-8	51011BMBT000	HOOK, HELMET	1	1	1	1	1	1	1
17-9	B05074001605	TAPPING SCREW 4X16	8	8	8	8	8	8	8
17-10	05541BMBT00A	BLACK UNITED MOTORS STICKER (YELLOW. BLUE.SILVER)	2	2	2	2	2	2	2
	05541BMBT00B	SILVER UNTED MOTORS STICKER (RED, BLUE)	2	2	2	2	2	2	2



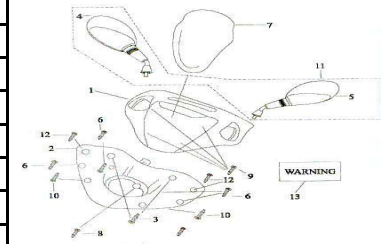
Enlarged figure next page

F17 LEG SHIELD



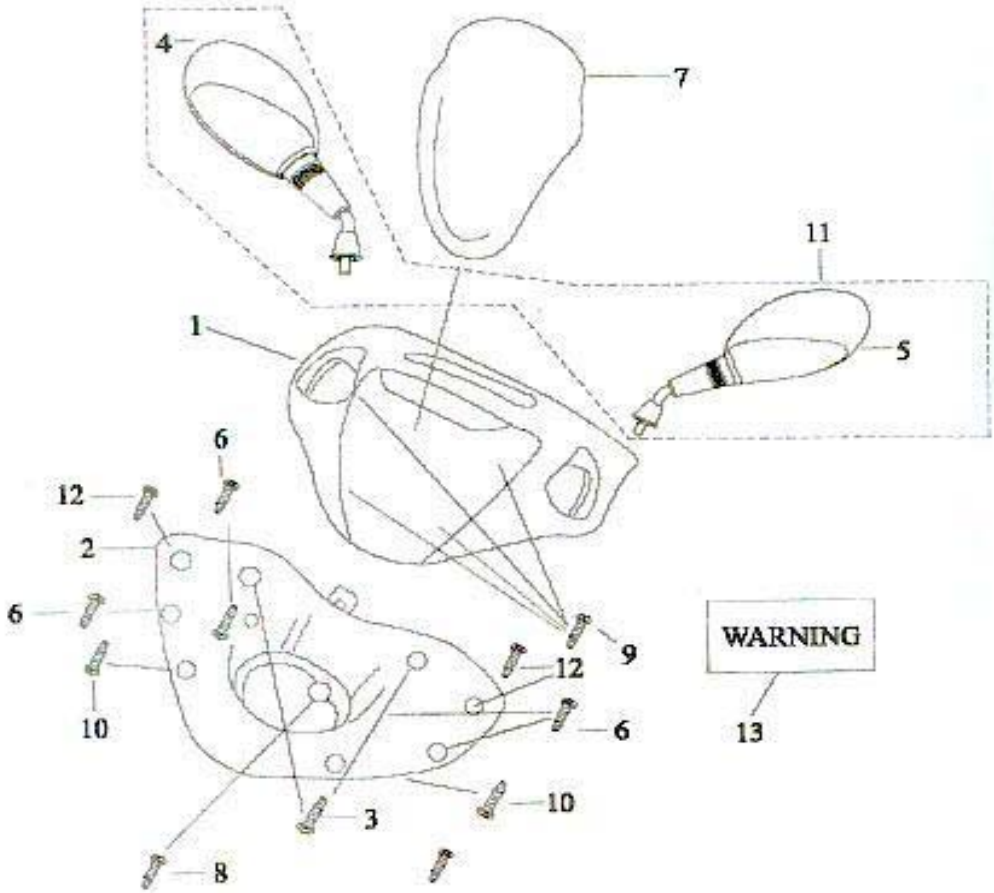
F18 HANDLECOVER

REF#	PARTS #	DESCRIPTION	QTY.	2000	2001	2002	2003	2004	2005
18-1	65201BMBTBSPE	HANDLE COVER, 1, SPECIAL (BLACK)	1					1	1
	65201BMBTB80	HANDLE COVER 1, ANTHRAZIT	1	1	1	1	1	1	1
	65201BMBTB83	HANDLE COVER, 1, BLACK (WITH CLOCK)	1	1	1	1	1	1	1
	65201BMBTGR	HANDLE COVER 1, GREEN	1	1	1	1	1	1	1
	65201BMBTGR2	HANDLE COVER 1, GREEN (WITH CLOCK)	1	1	1	1	1	1	1
	65201BMBTBLE	HANDLE COVER 1, BLUE	1	1	1	1	1	1	1
	65201BMBTBLE2	HANDLE COVER 1, BLUE (WITH CLOCK)	1	1	1	1	1	1	1
	65201BMBTBYW	HANDLE COVER 1, YELLOW	1	1	1	1	1	1	1
	65201BMBTBYW2	HANDLE COVER 1, YELLOW (WITH CLOCK)	1	1	1	1	1	1	1
	65201BMBTBCOP	HANDLE COVER 1, COPPER	1	1	1	1	1	1	1
	65201BMBTBCOP2	HANDLE COVER 1, COPPER (WITH CLOCK)	1	1	1	1	1	1	1
	65201BMBTBRED	HANDLE COVER 1, RED	1	1	1	1	1	1	1
65201BMBTRED2	HANDLE COVER 1, RED (WITH CLOCK)	1	1	1	1	1	1	1	
18-2	65202BMBT000	HANDLE COVER, 2	1	1	1	1	1	1	1
	65202BMBTSPE	HANDLE COVER, 2 SPECIAL	1					1	1
18-3	B05075001605	TAPPING SCREW 5X16	2	2	2	2	2	2	2
18-4	40470BMBT001	REAR VIEW MIRROR ASSY.,2(E-MARK) LGTH	1	1	1	1	1	1	1
18-5	40460BMBT001	REAR VIEW MIRROR ASSY., 1(E-MARK) LGTH	1	1	1	1	1	1	1
18-6	B05074001605	TAPPING SCREW 4X16	2	2	2	2	2	2	2
18-7	65203BMBT000	METER VISION ASSY.	1	1	1	1	1	1	1
	65203BMBTSPE	METER VISION ASSY SPECIAL	1					1	1
18-8	B13010501405	SCREW 5X14	1	1	1	1	1	1	1
18-9	B05073001005	TAPPING SCREW 3X10	4	4	4	4	4	4	4
18-10	B05075001205	TAPPING SCREW 5X12	2	2	2	2	2	2	2
18-11	40450BMBT001	REARVIEWMIRROR ASSY.(LENGTHEN)	1	1	1	1	1	1	1
18-12	B05074001205	TAPPING SCREW 4X12	2	2	2	2	2	2	2
18-13	05531BMBT000	WARNENG STICKER(DOT)	1	1	1	1	1	1	1



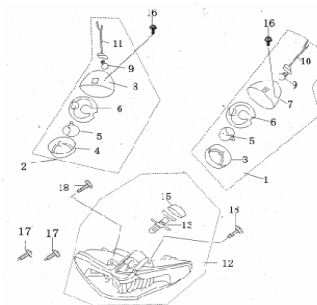
Enlarged figure
next page

F18 HANDLECOVER



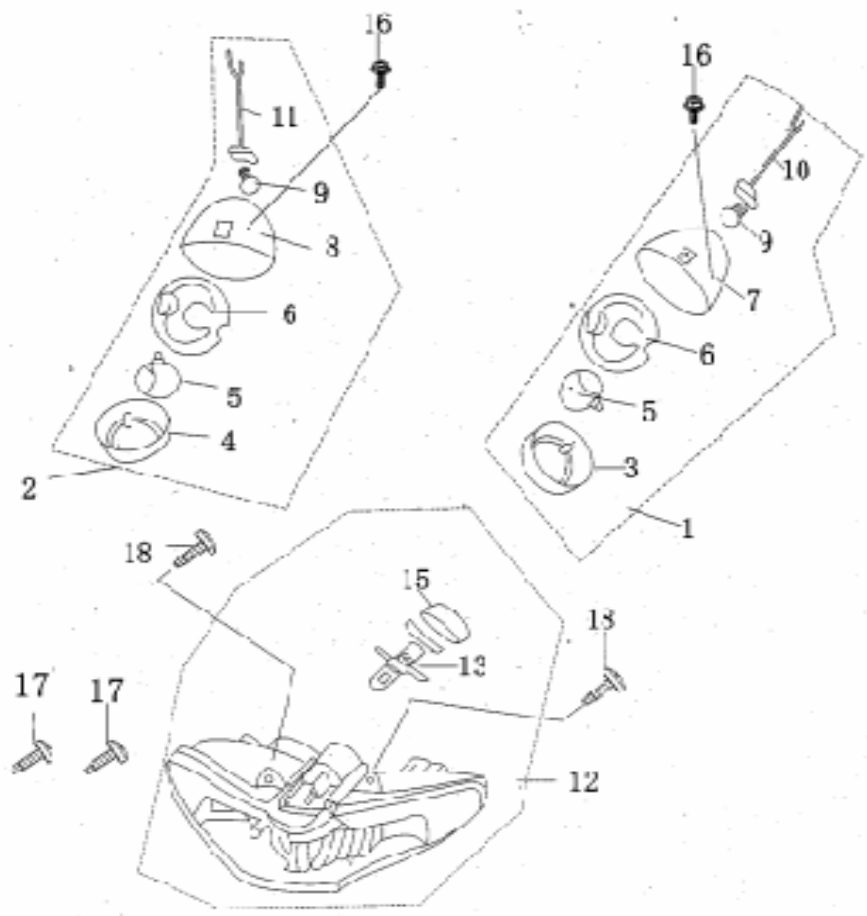
F19 HEADLIGHT

REF#	PARTS #	DESCRIPTION	QTY.	2000	2001	2002	2003	2004	2005
19-1	81100BMOT00A	FLASHER LIGHT ASSY., 1 (ELLIPSE YELLOW OOT (LEFT)	1	1	1	1	1	1	1
19-2	81300BMOT00A	FLASHER LIGHT ASSY.,2 (ELLIPSE YELLOW) OOT(RIGHT)	1	1	1	1	1	1	1
19-3	81102BMOT00A	LIGHT COVER,L.	1	1	1	1	1	1	1
19-4	81302BMOT00A	LIGHT COVER,R.	1	1	1	1	1	1	1
19-5	81107BMOT00A	INNER COVER	2	2	2	2	2	2	2
19-6	81105BMOT00A	BOWL,REFLEX LIGHT	2	2	2	2	2	2	2
19-7	81101BMOT00A	F.L.BULB BASE	1	1	1	1	1	1	1
19-8	81301BMOT00A	F.R.BULB BASE	1	1	1	1	1	1	1
19-9	81501H70X00A	BULB, 12V/10W	2	2	2	2	2	2	2
19-10	81110BMOT00A	WIRE ASSY.,F. L. FLASHER	1	1	1	1	1	1	1
19-11	81310BMOT00A	WIRE ASSY.,F.R. FLASHER	1	1	1	1	1	1	1
19-12	80000BMBT00A	HEA0 LIGHT ASSY.(OOT)	1	1	1	1	1	1	1
19-13	80002BMOT00A	BULB 1,HEA0 LIGHT	1	1	1	1	1	1	1
19-15	80007BMBT000	HEA0 LIGHT BASE	1	1	1	1	1	1	1
19-16	B13140501405	SCREW W/WASHER 5X14	2	2	2	2	2	2	2
19-17	B05075001605	TAPPING SCREW 5X16	2	2	2	2	2	2	2
19-18	B05075001205	TAPPING SCREW 5X12	2	2	2	2	2	2	2



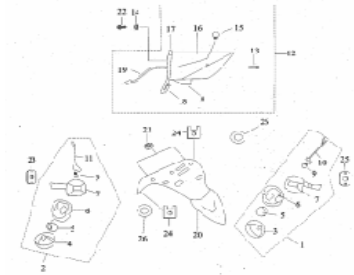
Enlarged figure
next page

F19 HEADLIGHT



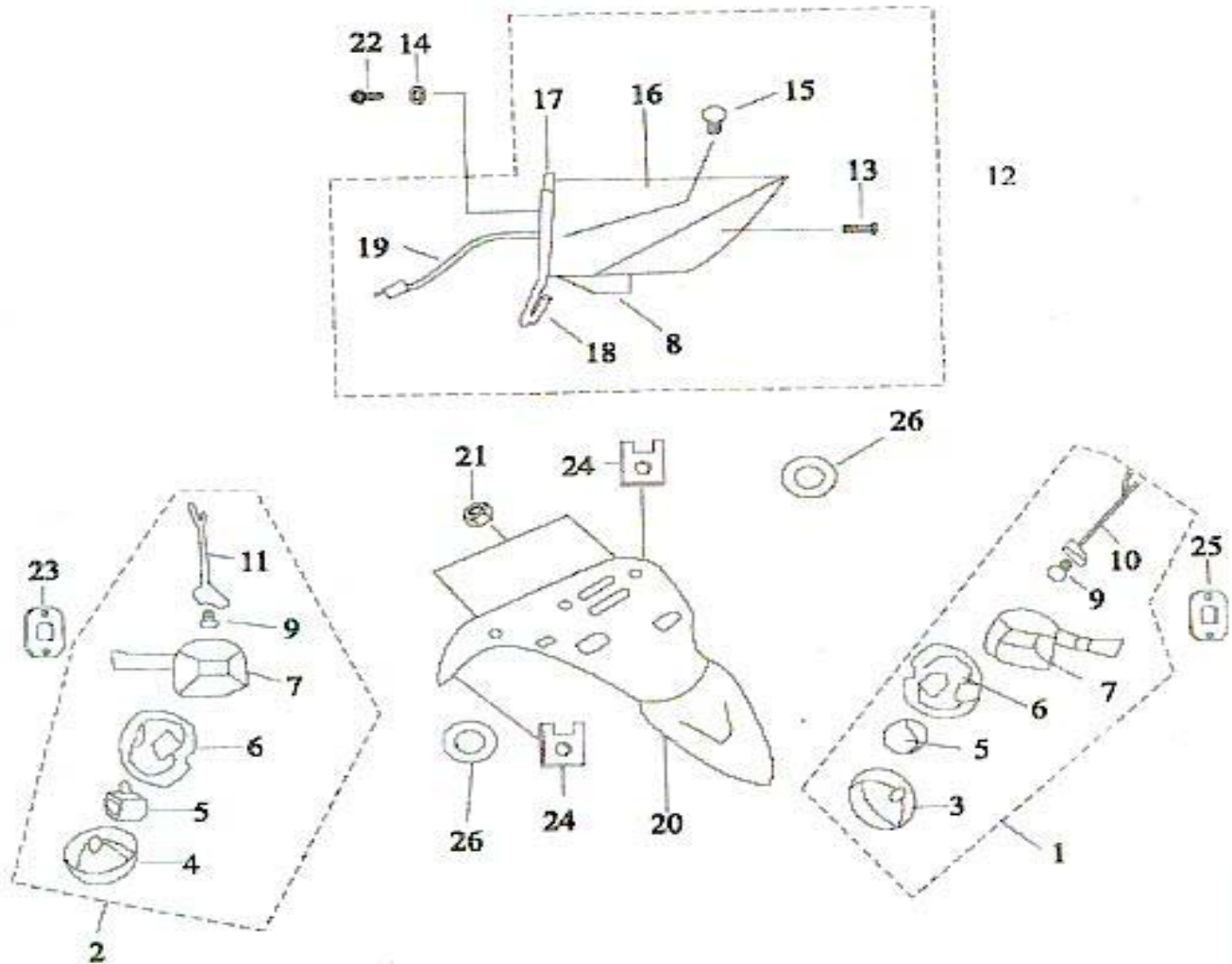
F20 TAIL LIGHT

REF#	PARTS #	DESCRIPTION	QTY.	2000	2001	2002	2003	2004	2005
20-1	81700BM0T00A	FLASHER LIGHT ASSY.,R(DOT)	1	1	1	1	1	1	1
20-2	81500BM0T00A	FLASHER LIGHT ASSY.,L(DOT)	1	1	1	1	1	1	1
20-3	81102BM0T00A	LIGHT COVER,L.	1	1	1	1	1	1	1
20-4	81302BM0T00A	LIGHT COVER,R.	1	1	1	1	1	1	1
20-5	81107BM0T00A	INNER COVER	2	2	2	2	2	2	2
20-6	81105BM0T00A.	BOWL,REFLEX LIGHT	2	2	2	2	2	2	2
20-7	81502BM0T00A	BULB BASE	2	2	2	2	2	2	2
20-8	82503BM0T00A	LICENSE LIGHT SLICE	1	1	1	1	1	1	1
20-9	81501H70X00A	BULB, 12V/10W	2	2	2	2	2	2	2
20-10	81501BM0T00A	WIRE ASSY.,F,L.FLASHER	1	1	1	1	1	1	1
20-11	81710BM0T00A	WIRE ASSY.,F,R,FLASHER	1	1	1	1	1	1	1
20-12	82000BM0T00A	TAIL LIGHT ASSY. (DOT)	1	1	1	1	1	1	1
20-13	B05074002003	TAPPING SCREW 4X20	2	2	2	2	2	2	2
20-14	82001G00P000	RUBBER WASHER	3	3	3	3	3	3	3
20-15	82005JL0T00A	BULB 12V 21 V/5W	1	1	1	1	1	1	1
20-16	82008BM0T00A	INDICATOR LENS	1	1	1	1	1	1	1
20-17	82003BM0T00A	TAIL LIGHT BASE	1	1	1	1	1	1	1
20-18	86502BM0T00A	RR, REFLECTOR (DOT)	1	1	1	1	1	1	1
20-19	82900BM0T00A	WIRE ASSY.,TAIL LIGHT	1	1	1	1	1	1	1
20-20	08202BM0T00A	LICENSE BRACKET	1	1	1	1	1	1	1
20-21	B04061012555	NUT 10X1.25	2	2	2	2	2	2	2
20-22	B04070600065	FLANGE NUT 6MM	3	3	3	3	3	3	3
20-23	81 511 BM0T000	FLASHER LIGHT CUSHEON,L	1	1	1	1	1	1	1
20-24	65802bm0t000	SPPING NUT 5MM	2	2	2	2	2	2	2
20-25	81708BM0T000	FLASHER LIGHT CUSHION.R	1	1	1	1	1	1	1
20-26	B07000001005	WASHER 10	2	2	2	2	2	2	2



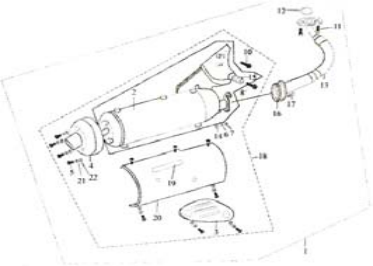
Enlarged figure
next page

F20 TAIL LIGHT



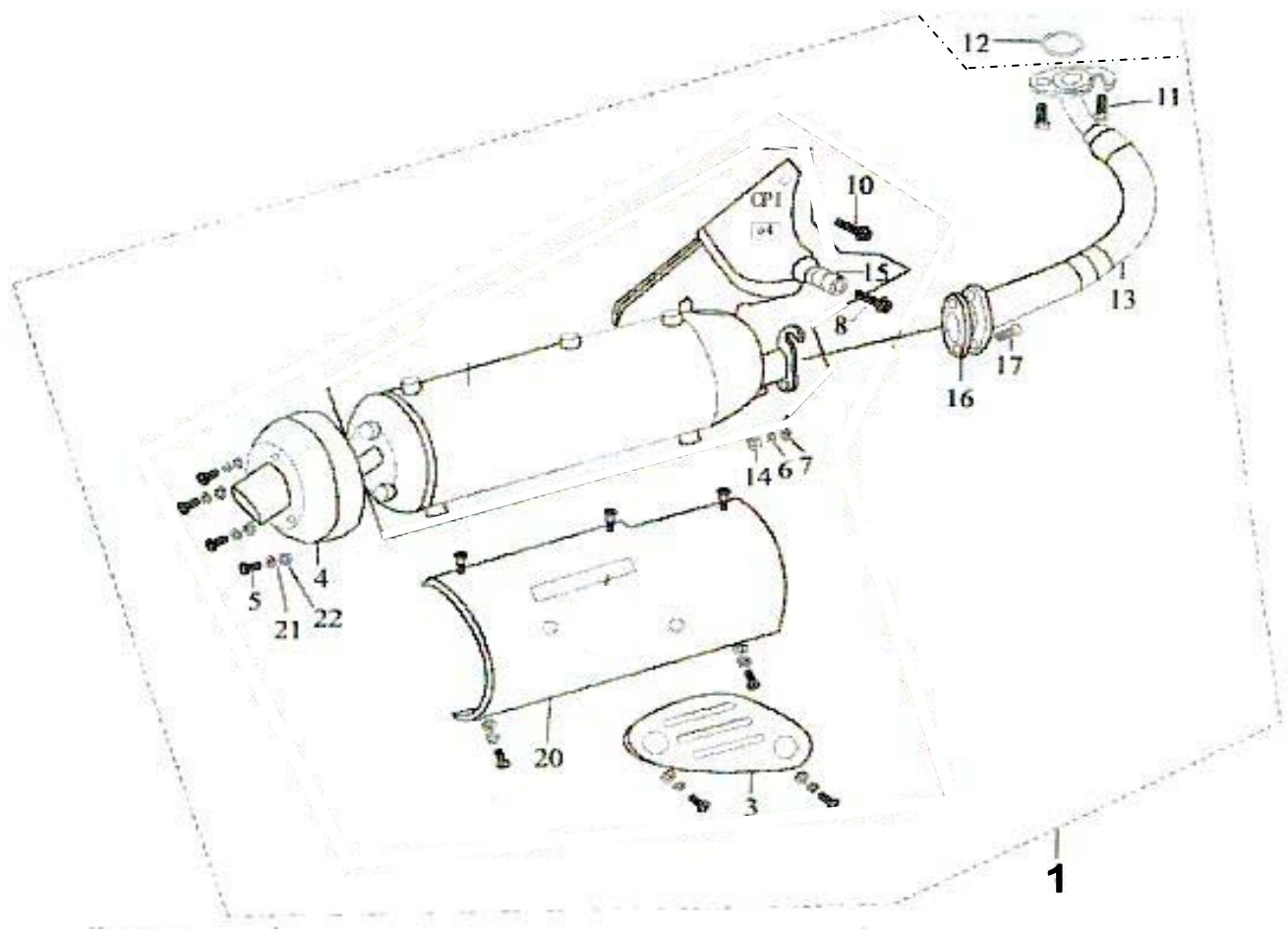
F21 EXHAUST

REF#	PARTS #	DESCRIPTION	QTY.	2000	2001	2002	2003	2004	2005
21-1	47000BM0T005	MUFFLER ASSY. (EURO CAT) ALL CHROME	1	1	1	1	1	1	1
21-1	47000BM0T006	MUFFLER ASSY BLACK W/ STAINLESS STEEL	1	1	1	1	1	1	1
21-3	47023BM0T000	COVER/ DECORATION	1	1	1	1	1	1	1
21-4	47780J4AT000	COVER COMP., RR	1	1	1	1	1	1	1
21-5	B02000601064	BOLT 6X10MM	10	10	10	10	10	10	10
21-6	B07000000805	SPPING WASHER 8(BLACK)	2	2	2	2	2	2	2
21-7	B07030000805	WASHER 8(BLACK)	2	2	2	2	2	2	2
21-8	B01090803565	BOLT 8X3(5MM(BLACK)	1	1	1	1	1	1	1
21-10	B01090802065	BOLT 8X20(BLACK)	1	1	1	1	1	1	1
21-11	B01090601665	BOLT 6X16(BLACK)	2	2	2	2	2	2	2
21-12	47800B0DT000	GROMMET, EXHAUST PIPE	1	1	1	1	1	1	1
21-13	47500BM0T000	EXHAUST PIPE COMP,	1	1	1	1	1	1	1
21-14	B04000800065	NUT M8(BLACK)	2	2	2	2	2	2	2
21-15	47740B0ET000	WASHER ASSY., FIXING	1	1	1	1	1	1	1
21-16	47121BM0T000	GASKET/FLANGE	1	1	1	1	1	1	1
21-17	B02050803065	SCREW 8X30MM(BLACK)	2	2	2	2	2	2	2
21-20	47760BM0T000	COVER ASSY.,DECORATING	1	1	1	1	1	1	1
21-21	B07000000604	WASHER 6	10	10	10	10	10	10	10
21-22	B07030000604	WASHER 6	10	10	10	10	10	10	10



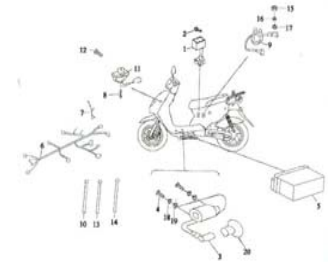
Enlarged figure next page

F21 EXHAUST



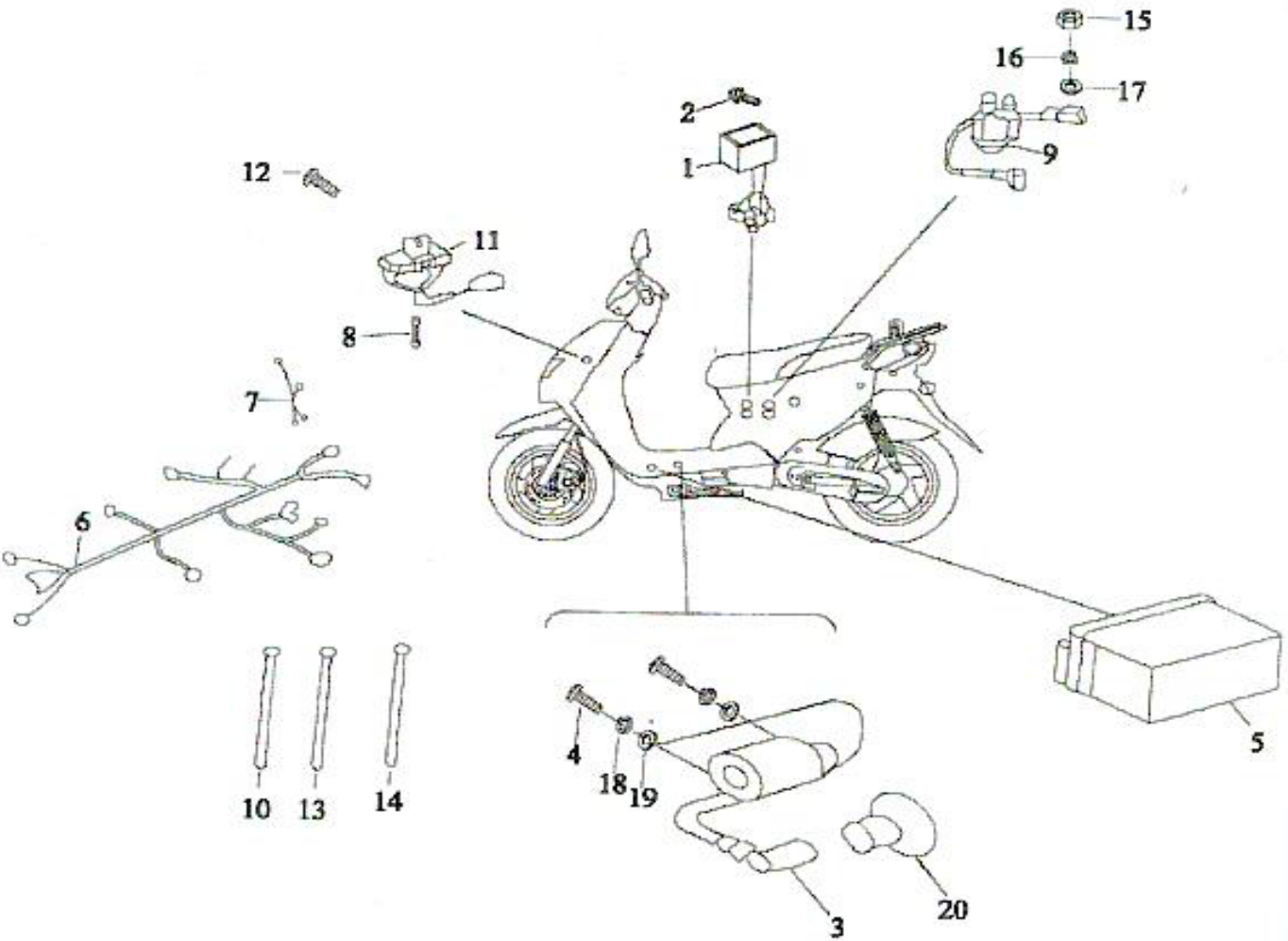
F22 ELECTRICAL1

REF#	PARTS #	DESCRIPTION	QTY.	2000	2001	2002	2003	2004	2005
22-1	97701BMBT000	C.D.I.UNIT COMP.	1	1	1	1	1	1	1
22-2	B01090601665	BOLT 6x16	1	1	1	1	1	1	1
22-3	96200BMAT000	IGNITION COIL ASSY.	1	1	1	1	1	1	1
22-4	B02000502025	SCREW 5x20	1	1	1	1	1	1	1
22-5	96100BM0T000	BATTERY ASSY	1	1	1	1	1	1	1
22-6	92000BMBT00A	WIRE HARNESS ASSY.(DOT) .	1	1	1	1	1	1	1
22-7	96900BMBT000	WIRE HARNESS	2	2	2	2	2	2	2
22-8	96800BMAT000	FUSE 8A.250v	1	1	1	1	1	1	1
22-9	94000BMBT000	STARTER RELAY COMP.	1	1	1	1	1	1	1
22-10	96001K00P000	BAND 250V	2	2	2	2	2	2	2
22-13	96003K00P000	BAND 200V	2	2	2	2	2	2	2
22-14	96002K00P000	BAND 150V	1	1	1	1	1	1	1
22-15	B04000600055	NUT 6MM	1	1	1	1	1	1	1
22-16	B07000000605	WASHER 6MM	1	1	1	1	1	1	1
22-17	B07030000605	WASHER 6MM	1	1	1	1	1	1	1
22-18	B07000000505	WASHER 5MM	1	1	1	1	1	1	1
22-19	B07030000505	WASHER 5MM	1	1	1	1	1	1	1
22-20	96201BMAT000	COVER/IGNITION COIL	1	1	1	1	1	1	1
22-21	B07000000604	WASHER 6	1	1	1	1	1	1	1
22-22	B07030000604	WASHER 6	1	1	1	1	1	1	1



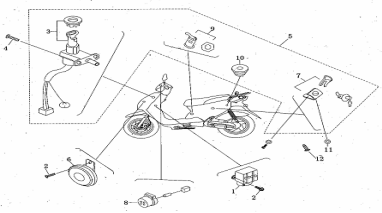
Enlarged figure
next page

F22 ELECTRICAL1



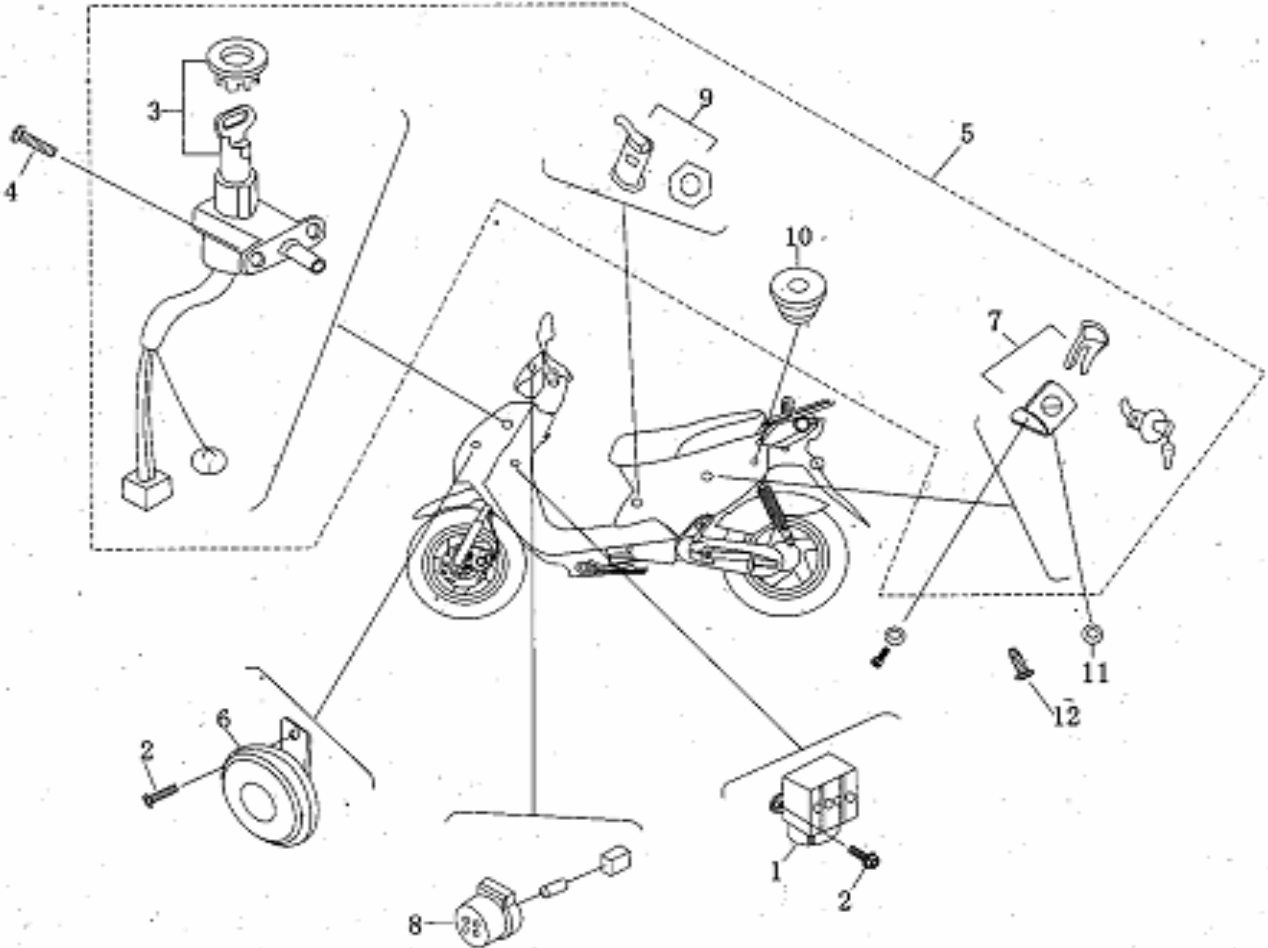
F23 ELECTRICAL 2

REF#	PARTS #	DESCRIPTION	QTY.	2000	2001	2002	2003	2004	2005
23-1	98801JF0P000	REGULATOR COMP.(WIRES)	1	1	1	1			
	98801KF0P111	REGULATOR (PLUG)	1				1	1	1
23-2	B01090601265	BOLT 6X12	3	3	3	3	3	3	3
23-3	88100BMBT000	MAIN SWITCH ASSY.	1	1	1	1	1	1	1
23-4	08002BMBT000	BOLT 6X12	2	2	2	2	2	2	2
23-5	88000BMBT000	LOCK ASSY.	1	1	1	1	1	1	1
23-6	95000BMDT000	HORN (E MARK)	1	1	1	1	1	1	1
23-7	88800BMBT000	LOCK ASSY.,SEAT	1	1	1	1	1	1	1
23-8	96500BM0T00A	FLASH&AUDIOPILOT COMP. (DOT)	1	1	1	1	1	1	1
23-9	88500BMBT000	LOCK, SIDE COVER 3	1	1	1	1	1	1	1
23-10	88400BM0T000	LOCK ASSY.,FUEL TANK	1	1	1	1	1	1	1
23-11	B07030000506	WASHER 5	2	2	2	2	2	2	2
23-12	B05074001005	TAPPING SCREW 4x10	2	2	2	2	2	2	2



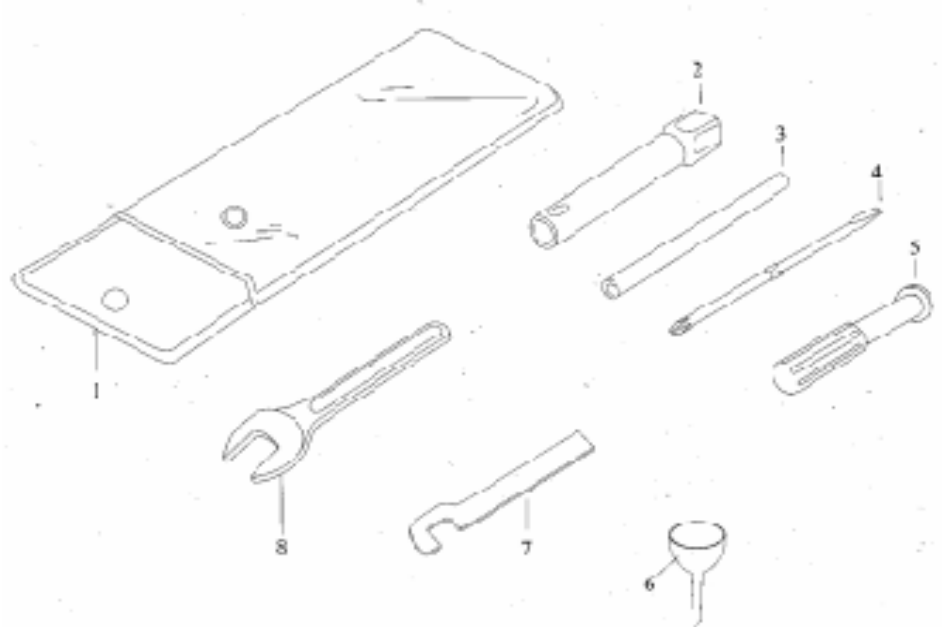
Enlarged figure next page

F23 ELECTRICAL 2



F24 TOOL KIT

REF#	PARTS #	DESCRIPTION	QTY.	2000	2001	2002	2003	2004	2005
24-1	02110BM0T000	TOOL BAG	1	1	1	1	1	1	1
24-2	02102BM0T000	SPARK PLUG SOCKET	1	1	1	1	1	1	1
24-3	02101BM0T000	SPARK PLUG SOCKET HANDLE	1	1	1	1	1	1	1
24-4	02103BM0T000	SCREW DRIVER	1	1	1	1	1	1	1
24-5	02104BM0T000	HANDLE	1	1	1	1	1	1	1
24-6	02114BM0T000	FILTER, OIL TANK	1	1	1	1	1	1	1
24-7	02115BM0T000	RR. ABSORBER ADJUSTER	1	1	1	1	1	1	1
24-8	02117BMBT000	WRENCH 35	1	1	1	1	1	1	1



**UM GENUINE
PARTS**

Order Online! www.umamerica.com



START RIDING®

© 2006 United Motors of America