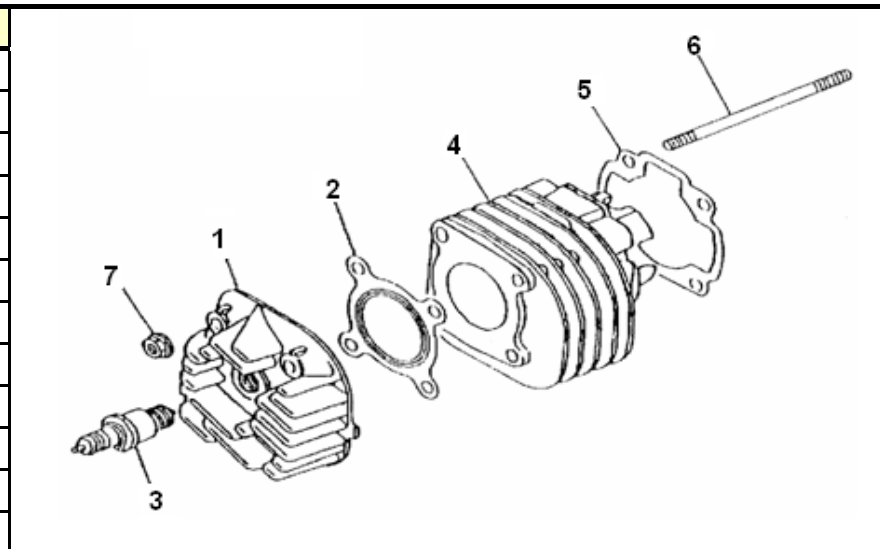


PARTS FOR VENTO ZIP, KEEWAY HURRICANE, XTREME ESPRESSO ALL THE SAME QJ MODEL RX50cc  
 POWERSPORTS FACTORY, IN PUERTO RICO IT WAS ZIP JAZZ VENTO 50cc

## **ENGINE PARTS LIST OF RX50**

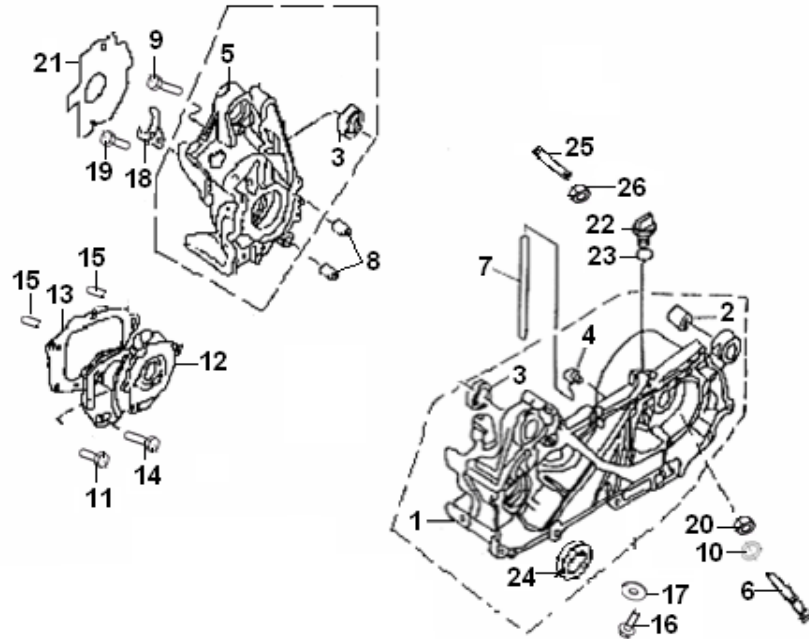
### **CYLINDER HEAD ASSY**

NO	CODE	DESCRIPTION	QTY
1	30701B01F000	HEAD , CYLINDER	1
2	30507B01F000	GASKET , CYLINDER HEA	1
3	201204.013000	SPARK PLUG	1
4	27101B01F00A	CYLINDER	1
5	204204.001000	GASKET , CYLINDER	1
6	26107B01F910	STUD BOLT	4
7	304290700062	NUT	4



### **CRANKCASE ASSY**

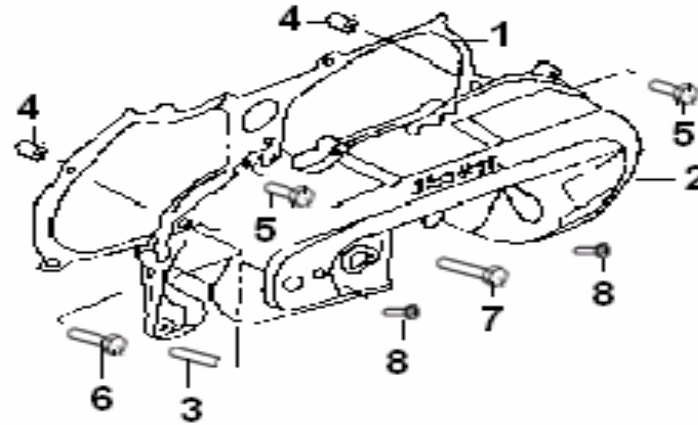
NO	CODE	DESCRIPTION	QTY
1	26100B01F00B	CRANKCASE , LH	1
2	26108G02F000	BUSH,ENGINE MOUNTING	1
3	207230.002000	BUSH,ENGINE MOUNTING	2
4	26126G02F000	BREATHER PLUG	1
5	26200B01F000	CRANKCASE , RH	1
6	26142G02F000	BRAKE SHOE ANCHOR PI	1
7	26105G02F000	HOSE	1
8	26123G02F000	DOWEL PIN	2
9	B02270603564	SCREW	6
10	14222J01F000	O RING6.8X1.9	1
11	B01070603064	BOLT	2
12	18101G02F001	COVER, GEAR BOX	1
13	214201.001000	GASKET , GEAR BOX	1
14	B01070602264	BOLT	3
15	26208J01F000	DOWEL PIN	2
16	301310801605	FLANGE BOLT	1
17	18105H03F000	WASHER	1
18	26214G02F000	HOLDER	1
19	301310601262	BOLT M6X12	1
20	304290800062	NUT	1
21	206321.001000	GASKET	1
22	206407.004083	OIL PLUG	1
23	26102G02F000	O-RING	1
24	26112G02F000	SHAFT COLLAR	1
25	231215.001000	shaft	1



26	B04171012563	NUT	1
----	--------------	-----	---

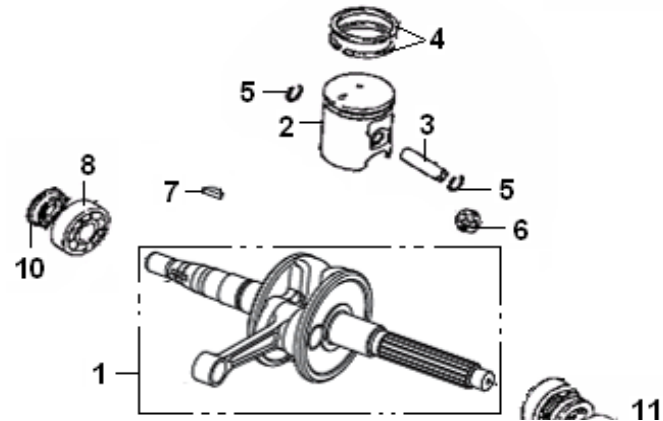
### SIDECOVER ASSY

NO	CODE	DESCRIPTION	QTY
1	207208.009000	GASKET , SIDE COVER	1
2	169022080020	SIDE COVER	1
3	26128G02F000	SHAFT	1
4	26208J01F000	DOWEL PIN	2
5	301310602565	SCREW M6X25	8
6	301310603565	SCREW	2
7	301310606565	PAN HEAD SCREW	1
8	302460601265	STOPPER	1

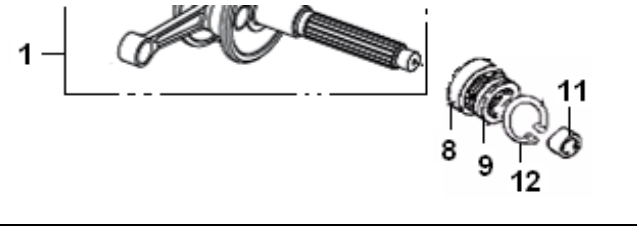


### PISTON CRANKSHAFT CONNECTING ROD ASSY

NO	CODE	DESCRIPTION	QTY
1	208100.022000	CRANKSHAFT , ASSY	1
2	15100B01F00B	PISTON ASSY	1
3	15105B16F000	PISTON PIN	1
4	15103B01F000	PISTON RING ASSY	2
5	15111G02F000	CIRCLIP	2
6	15110B16F000	NEEDLE BEARING	1
7	15101B01F000	WOODRUFF KEY	1

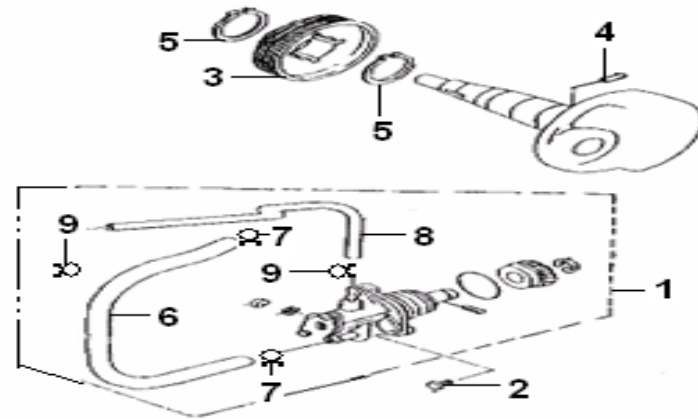


8	B12016620453	BALL BEARING	2
9	15213G02F000	OIL SEAL	1
10	26215G02F000	OIL SEAL ASSY	1
11	15214G02F000	COLLAR	1
12	17308G02F000	CIRCLIP	1



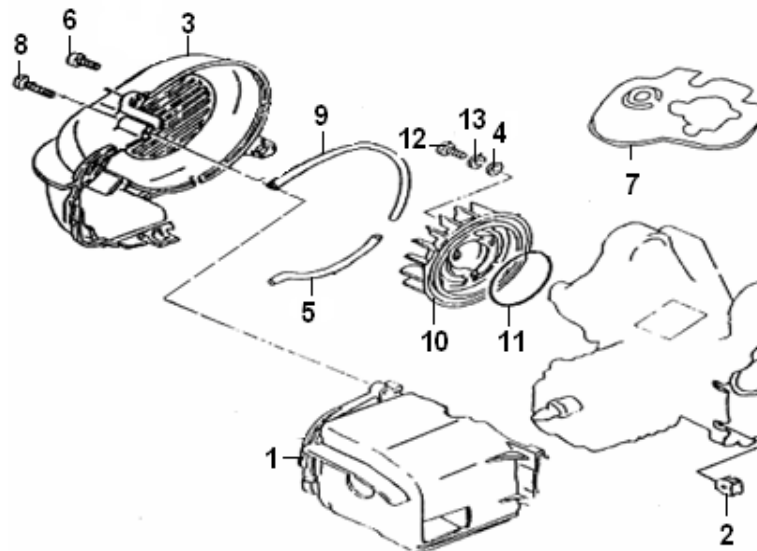
#### OIL PUMP ASSY

NO	CODE	DESCRIPTION	QTY
1	219101.006000	OIL PUMP ASSY	1
2	B02000501463	SCREW	2
3	15211G02F000	PUMP DRIVE GEAR	1
4	B090103014C0	PIN	1
5	15106G02F910	CIRCLIP	2
6	221405.103000	HOSE,OIL INLET	1
7	19213G02F00A	HOSE CLIP	2
8	221405.104000	HOSE,OIL OUTLET	1
9	19217G02F00A	HOSE CLIP	2



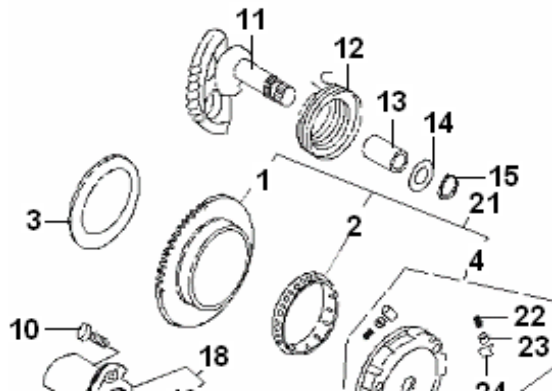
#### AIR COOLING SYSTEM

NO	CODE	DESCRIPTION	QTY
1	20301B01F000	COWLING,cylinder	1
2	20303G02F000	GROMMET	2
3	20200B01F000	COVER ASSY (FAN)	1
4	B07030000600	WASHER φ6	3
5	20208G02F000	BEADING (RUBBER)	1
6	302270602065	BOLT M6X20	2
7	20102G02F000	DUST COVER (RUBBER)	1
8	3050355040F5	SCREW ST5.5X40-F	1
9	20206G02F000	BEADING (RUBBER)	1
10	20401B01F000	FAN ASSY	1
11	20402G02F000	RUBBER RING 70X3.1	1
12	301310601665	SCREW M6X16	3
13	B07000000600	SPRING WASHER φ6	3

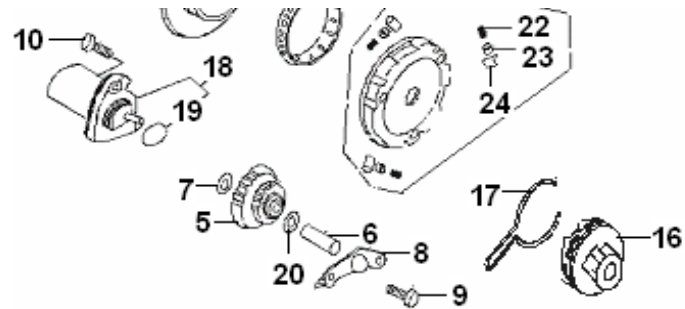


### KICK STARTER ASSY

NO	CODE	DESCRIPTION	QTY
1	34120G02F000	START GEAR ASSY	1
2	34121G02F000	NEEDLE BEARING	1
3	34123G02F000	THRUST WASHER	1
4	34110G02F00A	STARTER CLUTCH ASSY.	1
5	34126G02F000	DRIVEN GEAR,STARTER	1
6	26128G02F000	IDLE GEAR SHAFT	1
7	34122G02F000	PLATE WASHER	1

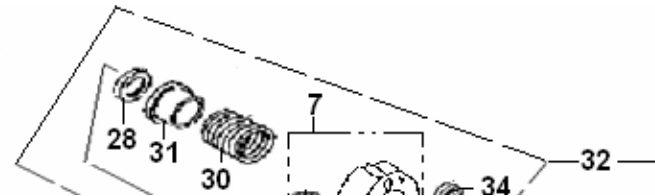


8	34125G02F000	IDLE GEAR HOLDER	1
9	301310601062	SCREW	2
10	302040602065	SCREW	2
11	216100.004000	SHAFT, kick starter	1
12	17407G02F000	SPRING	1
13	216217.001000	BUSH	1
14	307991005552	WASHER ,kick starter	1
15	308090150003	CIRCLIP	1
16	17415G02F000	KICK PINION ASSY	1
17	17418G02F930	CLIP	1
18	218100.017472	STARTING MOTOR ASSY	1
19	B190102120B0	O-RING	1
20	34130G02F000	PLATE WASHER	1
21	217100.100000	START CLUTCH ASSY, CC	1
22	34404G02F00A	SPRING	3
23	34405G02F00A	CAP	3
24	34402G02F00A	ROLLER	3

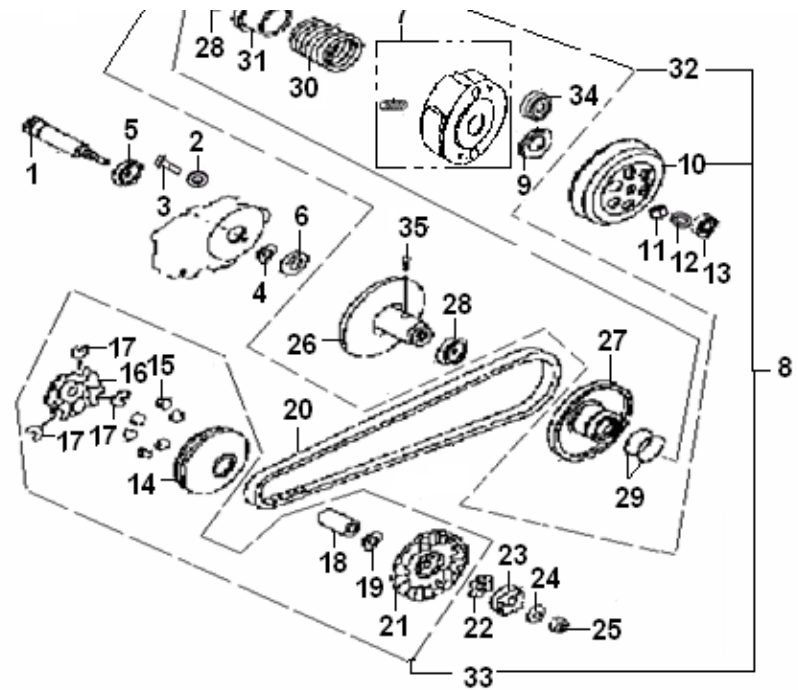


### CLUTCH ASSY

NO	CODE	DESCRIPTION	QTY
1	24201B01F000	PRIMARY DRIVE SHAFT	1
2	18114G02F000	PLATE WASHER	1
3	B01090801263	PAN HEAD SCREW	1



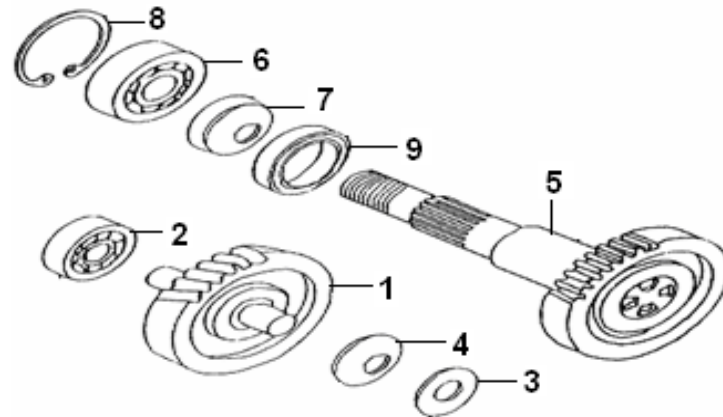
4	B08010001700	CIRCLIP	1
5	B12016600300	ROLING BEARING	1
6	24203G02F000	OIL SEAL	1
7	24301B01F000	CLUTCH ASSY,shoe	1
8	24245G02F000	BALL BEARING 6003	1
9	24303G02F000	NUT	1
10	24700G02F000	CLUTCH DRUM	1
11	24305G02F940	NUT	1
12	24243G02F000	O-RING	1
13	24209G02F000	BEARING 8X28X8	1
14	24101G02F000	FACE, movable drive	1
15	213119.003000	ROLLER	6
16	24103G02F000	PLATE, movable drive	1
17	24104G02F000	DAMPER	3
18	24105G02F000	COLLAR	1
19	24106B01F000	WASHER	1
20	24107B01F000	V BELT , DRIVE	1
21	24108G02F000	FACE , FIXED DRIVE	1
22	24109G02F000	STAR WASHER	1
23	213203.001161	RATCHET (STARTING)	1
24	15112G02F010	WASHER , SPRING	1
25	B04031212553	NUT	1
26	24204G02F000	FACE , FIXED DRIVEN	1
27	24205G02F000	FACE , MOVABLE DRIVE	1
28	24206G02F000	OIL SEAL	2
29	24207G02F000	O-RING	2



30	24308B01F000	SPRING	1
31	24309G02F930	SEAT , SPRING	1
32	24200B01F000	DRIVEN PULLEY COMP.	1
33	213100.039000	DRIVE PULLEY COMP.	1
34	213100.010000	SHIFT ASSY	1
35	24208G02F000	PIN , GUIDE	2

#### TRANSMISSION SYSTEM ASSY

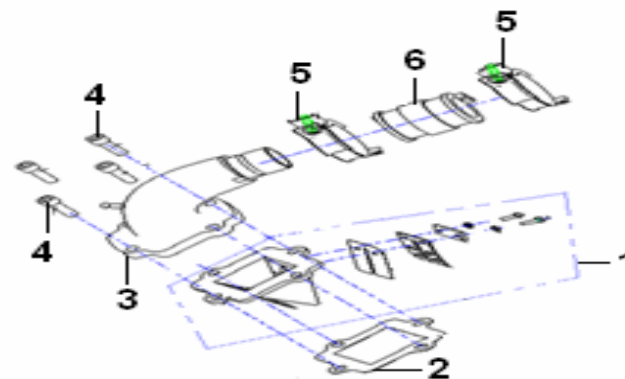
NO	CODE	DESCRIPTION	QTY
1	17800B01F000	SHAFT , IDLE	1
2	B12016620100	BEARING 6201	1
3	17509G02F000	PLATE WASHER12	1
4	17802G02F000	WASHER , CONICAL	1
5	17300B01F000	DRIVEN SHAFT(GEAR BO	1
6	B12016600400	BEARING	1
7	17317G02F000	OIL SEAL	1
8	17308G02F000	CIRCLIP	1
9	26136G02F000	NEEDLE BEARING	1





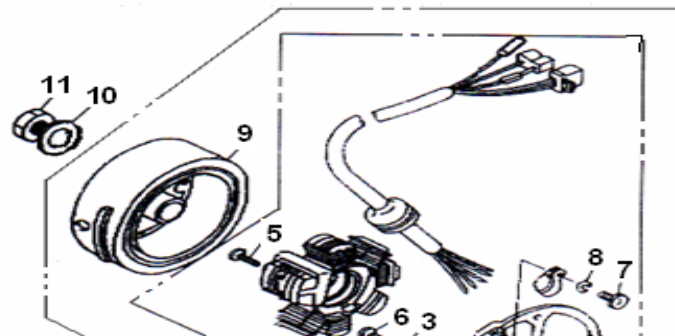
### REED VALVE ASSY

NO	CODE	DESCRIPTION	QTY
1	32300A02F000	REED VALVE ASSY	1
2	202306.002000	VALVE SEAT GASKET	1
3	32200B01F000	PIPE,INTAKE	1
4	302040602065	SCREWM6X20	4
5	32202G01F000	CLAMP HOSE ASSY	2
6	32237G01F000	RUBBER PIPE	1

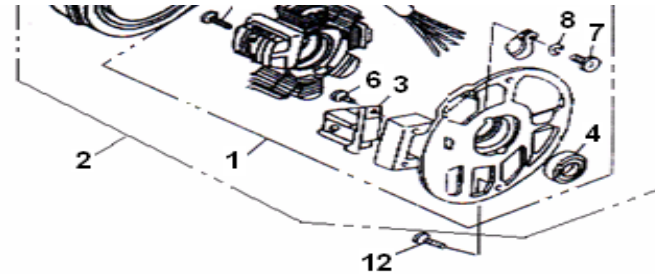


### MAGNETO ASSY

NO	CODE	DESCRIPTION	QTY
1	34310G02F000	COIL ASSY	1
2	223100.100000	MAGNETO ASSY	1
3	34330G02F000	PULSE TRIGGER	1
4	34350G02F000	OIL SEAT	1
5	B02000502522	SCREW	2
6	B02000501262	SCREW	2



7	B02000400622	SCREW	1
8	B07000000400	SPRING WASHER	1
9	223101.019000	FLY WHEEL ASSY	1
10	B07030001200	WASHER	1
11	15228H03F000	NUT	1
12	B01070601664	NUT	2



#### CARBURETORASSY

NO	CODE	DESCRIPTION	QTY
1	32510B01F000	NEEDLE, jet	1
2	32511B01F000	VALVE,PISTON	1
3	224202.100000	JET, main	1
4	224107.011000	ENRICH VALVE	1
5	32619B01F000	PIN, float	1
6	32620B01F000	FLOAT	1
7	32701B01F000	GASKET	1
8	224100.039000	CARBURETOR ASSY	1
9	224203.100000	JET, idle	1
10	32508B01F000	CLIPMM,V shape	1

