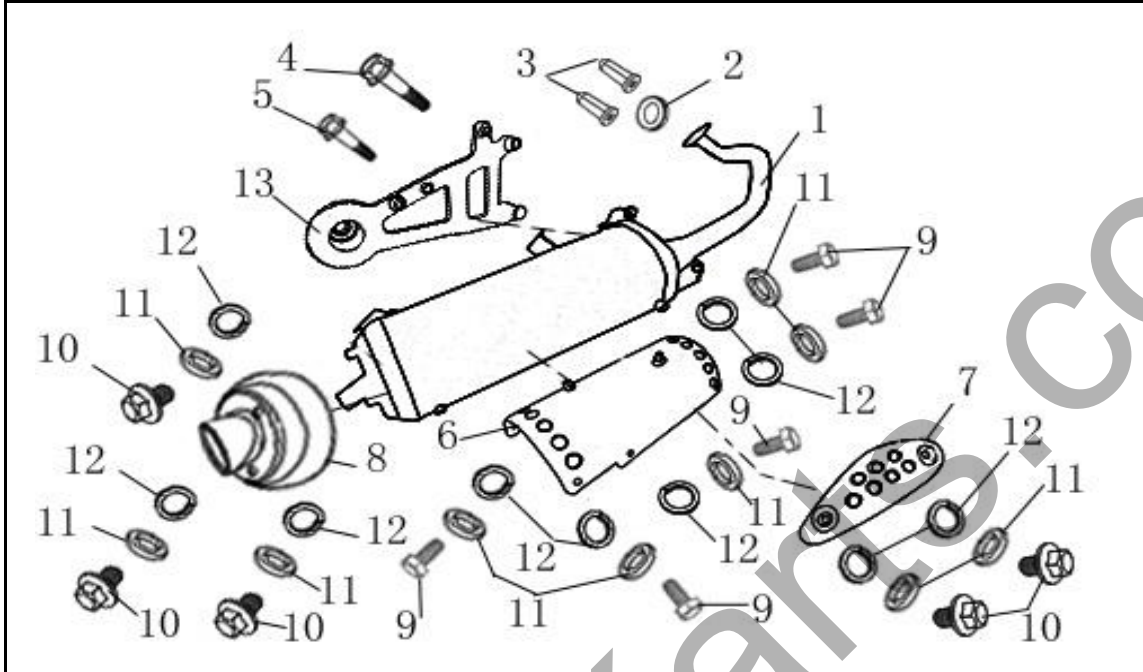


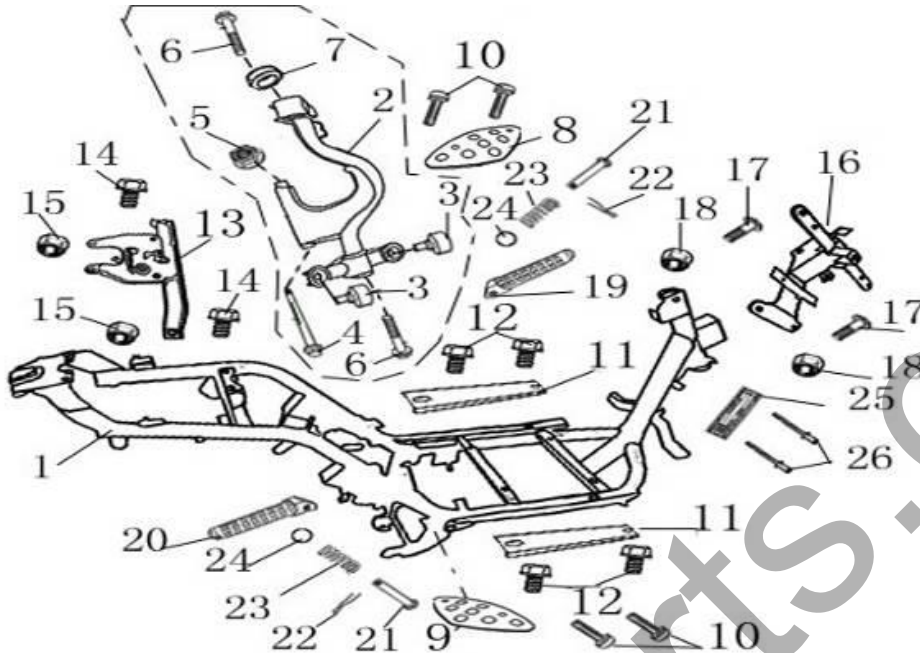
YY125T-21 PARTS CATALOGUE

图 1	消声器（普通）	YY125T-21
Draft 1	EXHAUST MUFFLER	YYSG12501000



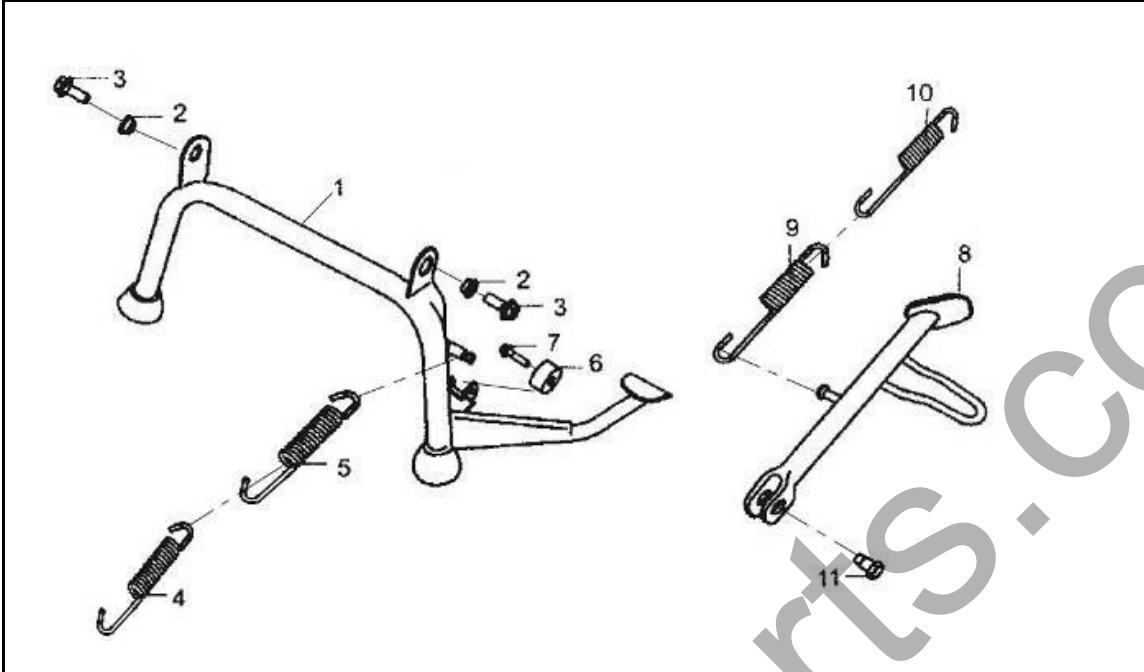
NO.	Part NO.	Description
1	YYSG15001001	Exhaust Muffler
2	YYSG15001002	Washer, Exhaust Outlet
3	YYSG15001003	Cap Nut, M6
4	GB/T5789-M8×88	Flange Bolt, M8×88
5	GB/T5789-M8×65	Flange Bolt, M8×65
6	YYSG15001004	Insulate Plate, Muffler
7	YYSG15001005	Decorating Plate, Muffler
8	YYSG15001006	Tail Insulate Cover, Muffler
9	GB/T5781-M6×12	Hex Bolt, M6×12
10	GB/T5787-M6×12	Flange Bolt, M6×12
11	GB/T95-φ6	Plain Washer, φ6
12	GB/T93-φ6	Spring Washer, φ6
13	YYSG15001007	Connecting Plate, Engine

图 2	车架	YY125T-21
Draft 2	FRAME	YYSG12502000



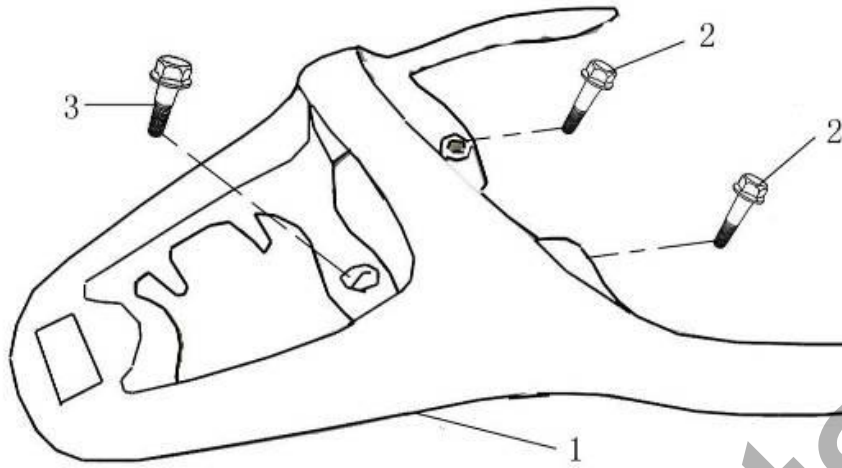
NO.	Part NO.	Description
1	YYSG15002001	Frame
2	YYSG15002002	Engine Mount
3	YYSG15002003	Cushioning Rubber, Engine Mount
4	YYSG15002004	Engine Mount Bolt, M10×1.25×280
5	GB/T6185.2-M10×1.25	Lock Nut, M10×1.25
6	GB/T5789-M10×1.25×55	Flange Bolt, M10×1.25×55
7	YYSG15002005	Collar, $\phi 11 \times \phi 18 \times 5.5$
8	YYSG15002006	L. Iron Decorating Cover, Frame
9	YYSG15002007	R. Iron Decorating Cover, Frame
10	GB/T9074.1-M5×12	Screw, M5×12
11	YYSG15002008	Middle Plate, Frame
12	GB/T5789-M6×12	Bolt, M6×12
13	YYSG15002009	Holder, Seat Lock
14	GB/T5789-M6×16	Bolt, M6×16
15	GB/T6177.1-M6	Nut, M6
16	YYSG15002010	Bracket, Horn
17	GB/T5789-M6×50	Bolt, M6×50
18	GB/T6177.1-M6	Nut, M6
19	YYSG15002011	Left Footrest
20	YYSG15002012	Right Footrest
21	YYSG15002013	Footrest Pin
22	YYSG15002014	Clip Pin, Footrest Pin
23	YYSG15002015	Return Spring, Footrest
24	YYSG15002016	Steel Ball, Footrest
25	YYSG15002017	Statutory Inscription Plate
26	GB/T12615	Rivet, Statutory Inscription Plate

图 3	主支架/侧支架	YY125T-21
Draft 3	MAIN / SIDE STAND	YYSG12503000



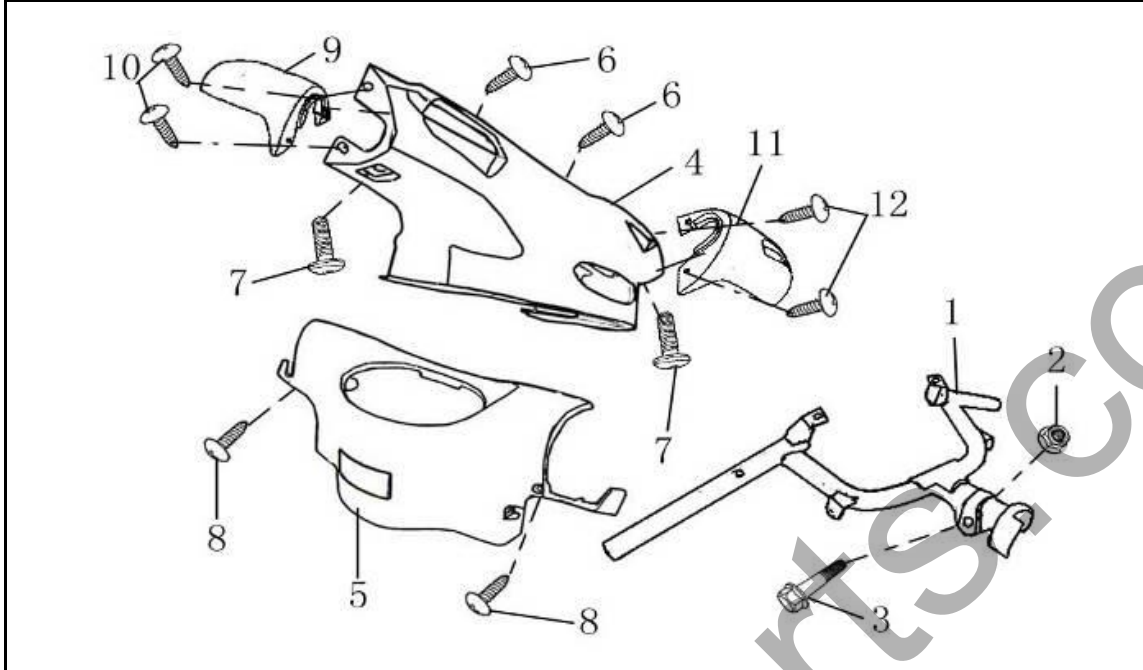
NO.	Part NO.	Description
1	YYSG15003001	Main Stand Assy
2	YYSG15003002	T-Collar, Main Stand
3	GB/T5789-M10×25	Flange Bolt, M10×25
4	YYSG15003003	Side Spring, Main Stand
5	YYSG15003004	Spring, Main Stand
6	YYSG15003005	Retainer Rubber, Main Stand
7	GB/T5789-M6×30	Flange Bolt, M6×30
8	YYSG15003006	Side Stand Assy
9	YYSG15003007	Spring, Side Stand
10	YYSG15003008	Side Spring, Side Stand
11	YYSG15003009	Bolt, Side Stand

图 4	后货架	YY125T-21
Draft 4	REAR BAGGAGE RACK	YYSG12504000



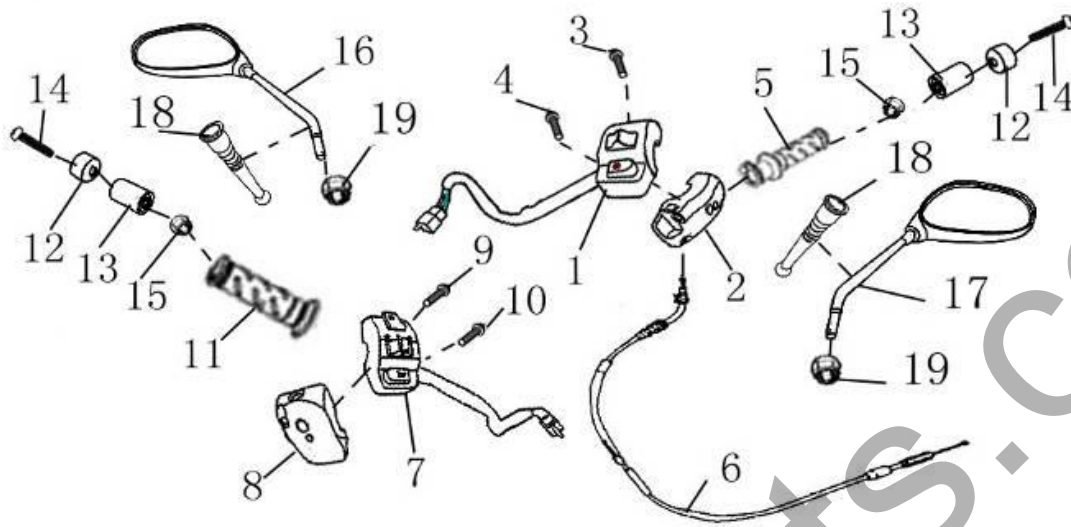
NO.	Part NO.	Description
1	YYSG15004001	Baggage Rack
2	GB/T5789-M8×50	Flange Bolt,M8×50
3	GB/T5789-M8×38	Flange Bolt,M8×38

图 5	方向把/方向把罩	YY125T-21
Draft 5	HANDLE, METER CASE	YYSG12505000



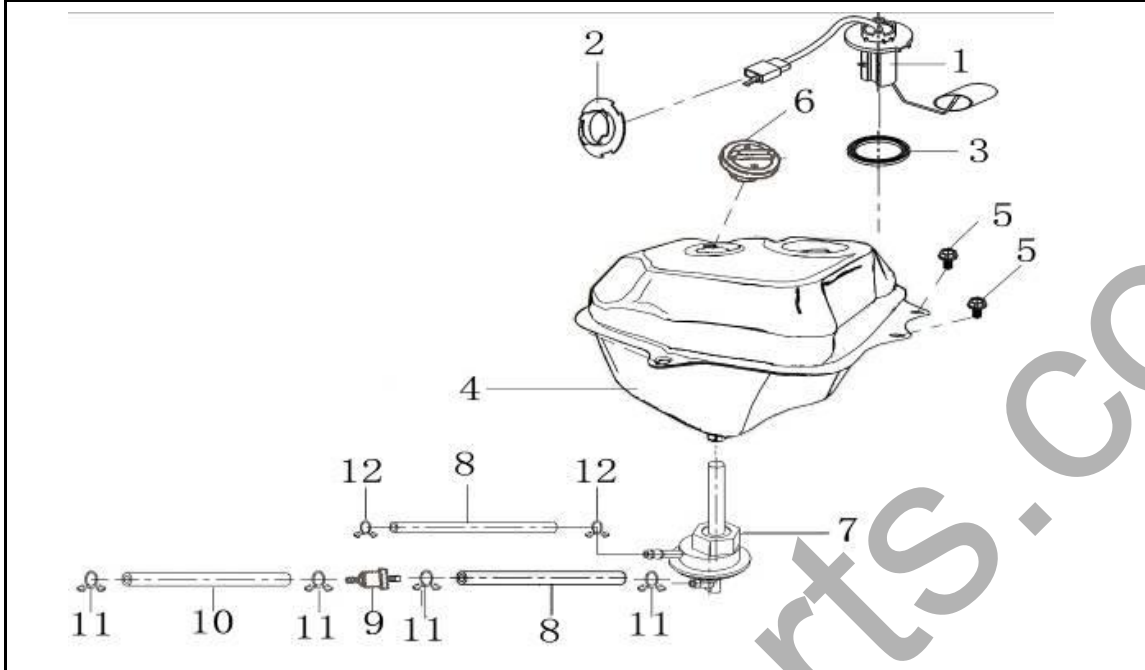
NO.	Part NO.	Description
1	YYSG15005001	Handle Comp
2	GB/T6187.1-M10	Flange Lock Nut, M10
3	GB/T5789-M10×50	Flange Lock Bolt, M10×50
4	YYSG15005002	Cover Case, Handle Comp
5	YYSG15005003	Case, Meter(喷漆件A2款)11.1
6	GB/T845-ST4.2×12	Screw, Tapping ST4.2×12
8	GB/T818-M6×16	Bolt, M6×16
9	GB/T845-ST4.8×12	Screw, Tapping ST4.8×12
10	YYSG15005004	Cover, L. Handlebar
11	GB/T845-ST4.2×12	Screw, Tapping ST4.2×12
12	YYSG15005005	Cover, R. Handlebar
13	GB/T845-ST4.2×12	Screw, Tapping ST4.2×12

图 6	操纵手把/后视镜/钢索/开关	YY125T-21
Draft 6	HANDLEBAR, REAR VIEW MIRROR, CABLE & SWITCH	YYSG12506000



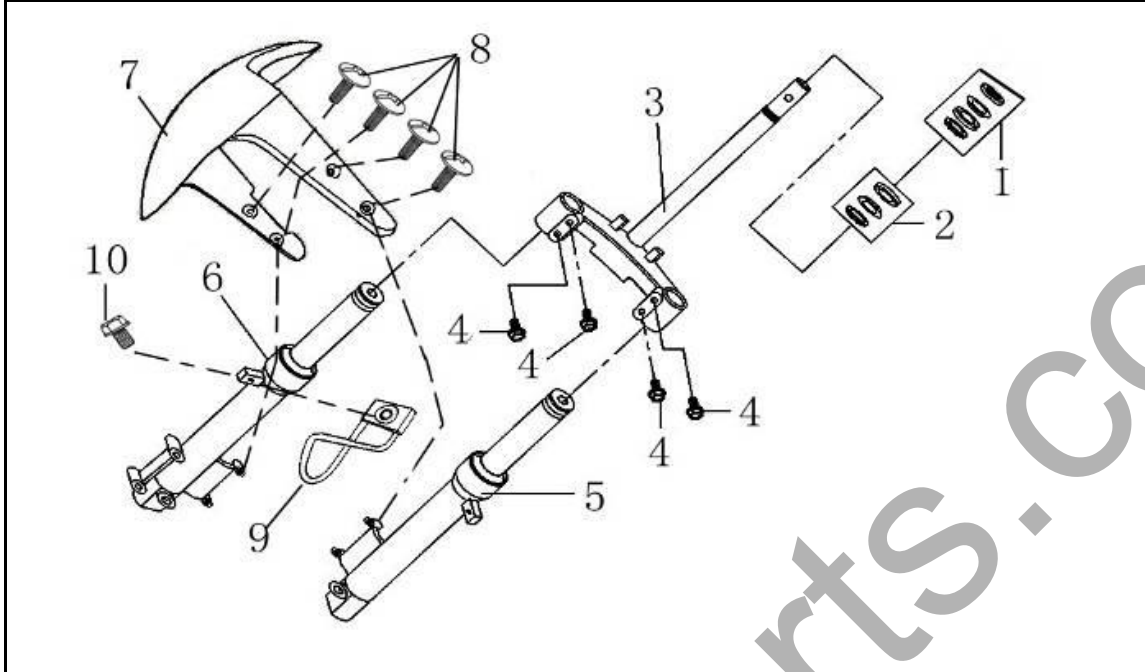
NO.	Part NO.	Description
1	YYSG15006001	Switch Assy, R. Handlebar
2	YYSG15006002	Fixing Block, R. Handlebar Switch Assy
3	GB/T818-M5×25	Screw, M5×25
4	GB/T818-M5×20	Screw, M5×20
5	YYSG15006003	Rubber Grip, R. Handle(Throttle Control)
6	YYSG15006004	Throttle Cable
7	YYSG15006005	Switch Assy, L. Handlebar
8	YYSG15006006	Fixing Block, L. Handlebar Switch Assy
9	GB/T818-M5×25	Screw, M5×25
10	GB/T818-M5×20	Screw, M5×20
11	YYSG15006007	Rubber Grip, L. Handle
12	YYSG15006008	Balance Block
13	YYSG15006009	Rubber, Balance Block
14	GB/T819.1-M6×55	Screw, M6×55
15	GB/T6177.1-M6	Nut, M6
16	YYSG15006010	Rear View Mirror, L.
17	YYSG15006011	Rear View Mirror, R.
18	YYSG15006012	Rubber Cover, Rear View Mirror
19	GB/T6177.1-M8	Flange Nut, M8

图 7	燃油箱	YY125T-21
Draft 7	FUEL TANK	YYSG12507000



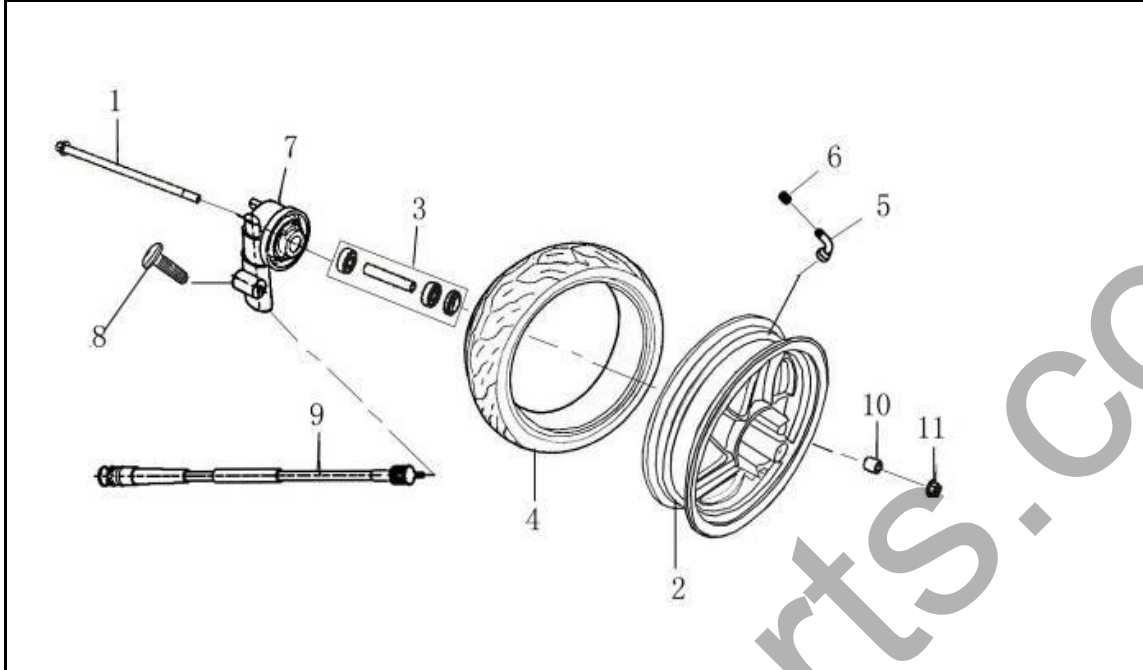
NO.	Part NO.	Description
1	YYSG15007001	Fuel Level Sensor
2	YYSG15007002	Block Cap, Sensor
3	YYSG15007003	Oil Seal Gasket for Sensor
4	YYSG15007004	Fuel Tank Assy
5	GB/T5789-M6×16	Bolt, M6×16
6	YYSG15007005	Cap Assy, Fuel Tank
7	YYSG15007006	Fuel Valve Assy
8	YYSG15007007	Fuel Tube
9	YYSG15007008	Fuel Filter
10	YYSG15007009	Vacuum Air Tube
11	YYSG15007010	Clip, Fuel Tube φ5
12	YYSG15007011	Clip, Fuel Tube φ4

图 8	方向柱/前减震	YY125T-21
Draft 8	STEERING / FRONT SHOC	YYSG12508000



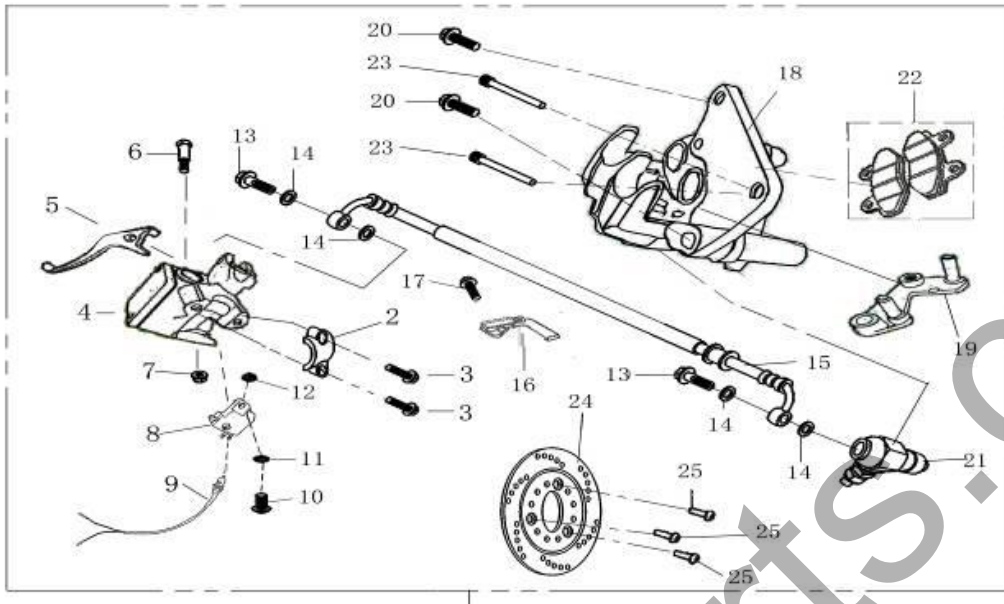
NO.	Part NO.	Description
1	YYSG15008001	Top Protrude, Steel Ball Bowl Assy
2	YYSG15008002	Bottom Concave, Steel Ball Bowl Assy
3	YYSG15008003	Lower Bridge Assy, Steer Stem
4	GB/T5789-M8×1.25×40	Bolt, M8×1.25×40
5	YYSG15008004	L. Front Shock Absorber
6	YYSG15008005	R. Front Shock Absorber
7	YYSG15008006	Front Mudguard
8	YYSG15008007	Screw, M6×12
9	YYSG15008008	Clip, Odemeter
10	GB/T5789-M6×12	Flange Bolt, M6×12

图 9	前轮	YY125T-21
Draft 9	FRONT WHEEL	YYSG12509000



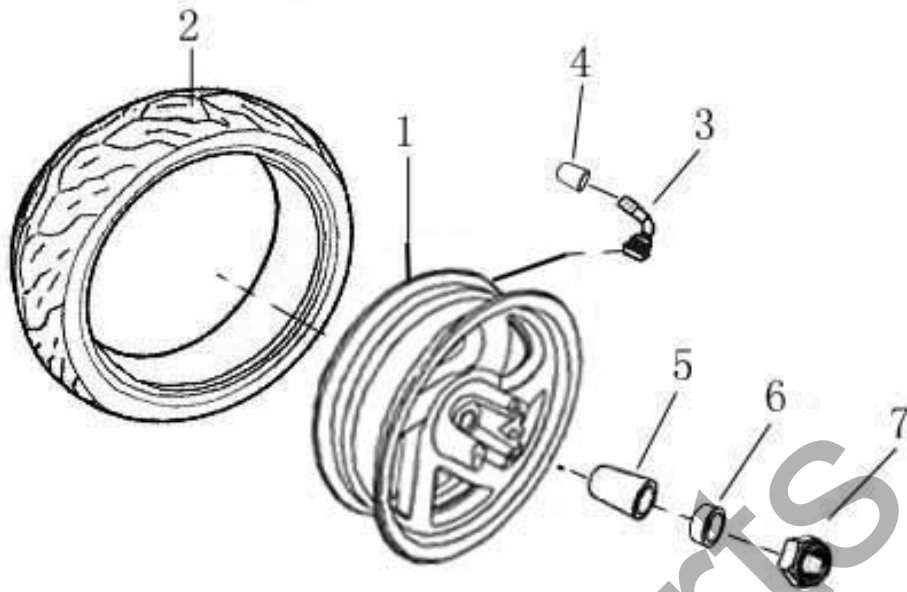
NO.	Part NO.	Description
1	YYSG15009001	Axle, Front Wheel, M12×250
2	YYSG15009002	Rim, Front Wheel
3	YYSG15009003	Separate Collar Set, Front Wheel Axle
4	YYSG15009004	Tyre, Front Wheel 4.00-12
5	YYSG15009005	Tubeless Valve
6	YYSG15009006	Cap, Tubeless Valve
7	YYSG15009007	Count Gear Box, Odometer
8	GB/T819.1-M5×16	Screw, M5×16
9	YYSG15009008	Cable, Odometer
10	YYSG15009009	Collar, φ12×φ20×13
11	GB/T6187.1-M12	Flange Lock Nut, M12

图 10	前液压制动器	YY125T-21
Draft 10	FRONT HYDRAULIC BRA	YYSG12510000



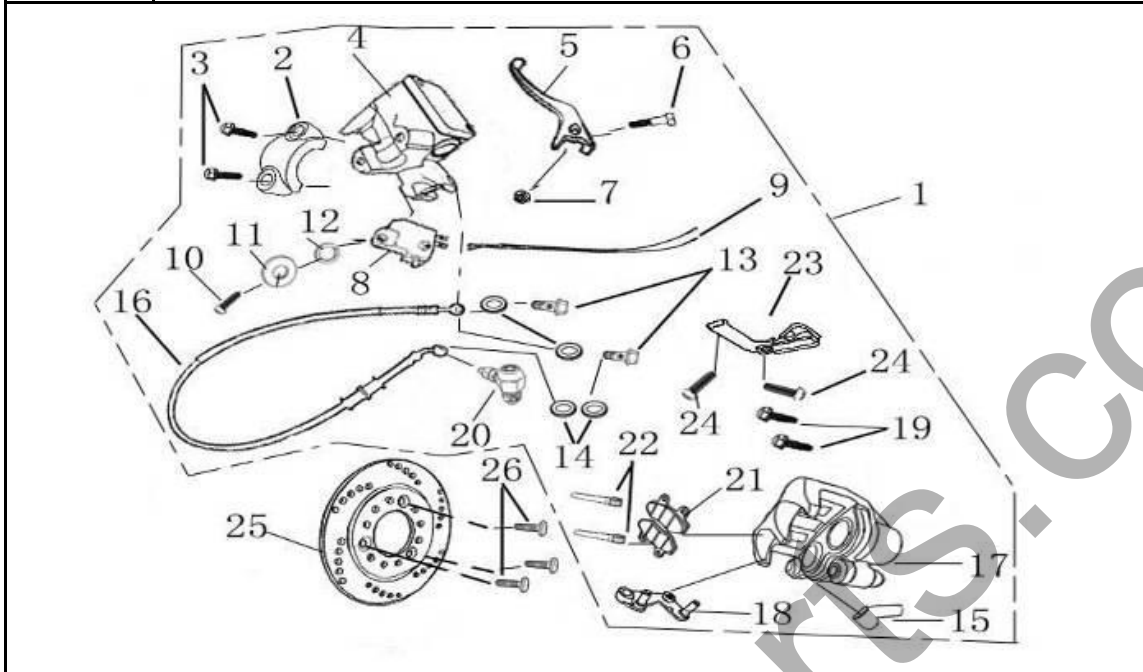
NO.	Part NO.	Description
1	YYSG15010001	Front Hydraulic Brake System
2	YYSG15010002	Cap, Front Hydraulic Cylinder
3	GB/T5789-M6×22	Flange Bolt, M6×22
4	YYSG15010003	Front Hydraulic Cylinder Comp
5	YYSG15010004	Lever, Right Handle
6	YYSG15010005	Bolt, Front Brake Lever
7	GB/T6187.1-M6	Flange Lock Nut, M6
8	YYSG15010006	Switch, Front Brake
9	YYSG15010007	Wire Cable, Front Brake Switch
10	GB/T818-M4×12	Screw, M4×12
11	GB/T95- φ 4	Plain Washer, φ4
12	GB/T93- φ 4	Spring Washer, φ4
13	YYSG15010008	Connect Bolt, Hose, Front Brake
14	YYSG15010009	Copper Washer
15	YYSG15010010	Hydraulic Hose, Front Brake
16	YYSG15010011	Clip, Front Hydraulic Hose
17	GB/T5789-M6×12	Flange Bolt, M6×12
18	YYSG15010012	Caliper Comp, Front Brake
19	YYSG15010013	Bracket, Front Brake Caliper Comp
20	GB/T5789-M8×25	Flange Bolt, M8×25
21	YYSG15010014	ABS Assy
22	YYSG15010015	Brake Plate Assy, Front Brake
23	YYSG15010016	Bolt, Brake Plate Assy, Front Brake
24	YYSG15010017	Brake Disc. Assy, Front Wheel
25	YYSG15010018	Inner Hex Bolt, M8×25

图 11	后轮	YY125T-21
Draft 11	REAR WHEEL	YYSG12511000



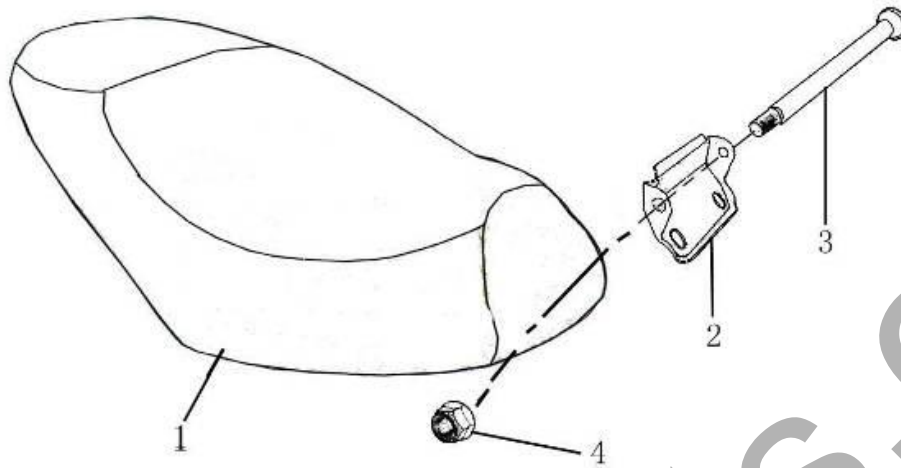
NO.	Part NO.	Description
1	YYSG15011001	Rim, Rear Wheel
2	YYSG15011002	Tyre, Rear Wheel 130/70-12
3	YYSG15011003	Tubeless Valve
4	YYSG15011004	Cap, Tubeless Valve
5	YYSG15011005	Collar, $\phi 17 \times \phi 25 \times 22$
6	YYSG15011006	Collar II, $\phi 17 \times \phi 25 \times 5$
7	GB/T6187.1-M16	Flange Lock Nut, M16

图 12	后液压制动器	YY125T-21
Draft 12	REAR HYDRAULIC BRAKE YYSG12512000	



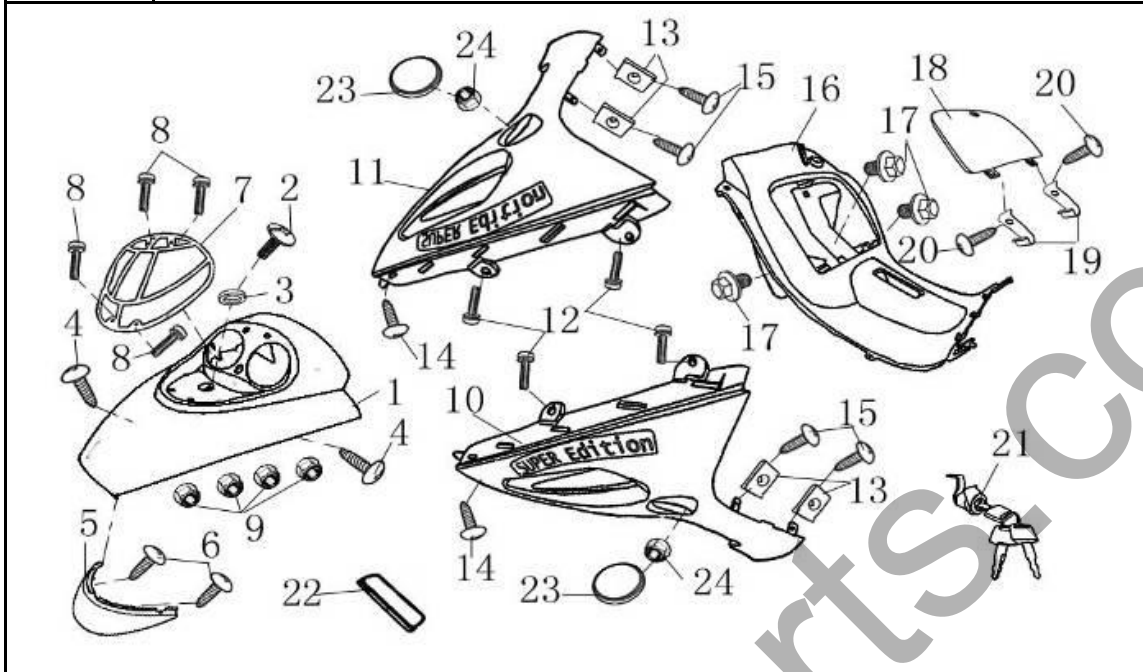
NO.	Part NO.	Description
1	YYSG15012001	Rear Hydraulic Brake System
2	YYSG15012002	Cap, Rear Hydraulic Cylinder
3	GB/T5789-M6×22	Bolt, M6×22
4	YYSG15012003	Rear Hydraulic Cylinder Comp
5	YYSG15012004	Lever, Left Handle
6	YYSG15012005	Bolt, Rear Brake Lever
7	GB/T6187.1-M6	Flange Lock Nut, M6
8	YYSG15012006	Switch, Rear Brake
9	YYSG15012007	Wire Cable, Rear Brake Switch
10	GB/T818-M4×12	Screw, M4×12
11	GB/T95-φ4	Plain Washer, φ4
12	GB/T93-φ4	Spring Washer, φ4
13	YYSG15012008	Connect Bolt, Hose, Front Brake
14	YYSG15012009	Copper Washer
15	YYSG15012010	Rubber Cover
16	YYSG15012011	Hydraulic Hose, Rear Brake
17	YYSG15012012	Caliper Comp, Rear Brake
18	YYSG15012013	Bracket, Rear Brake Caliper
19	GB/T5789-M8×25	Flange Bolt, M8×25
21	YYSG15012015	Brake Plate Assy, Rear Brake
22	YYSG15012016	Bolt, Brake Plate Assy, Rear Brake
23	YYSG15012017	Clip, Front Hydraulic Hose
24	GB/T5789-M6×12	Flange Bolt, M6×12
25	YYSG15012018	Brake Disc. Assy, Rear Wheel
26	YYSG15012019	Fixing Bolt, Rear Brake Disc.

图 13	座垫	YY125T-21
Draft 13	SEAT	YYSG12513000



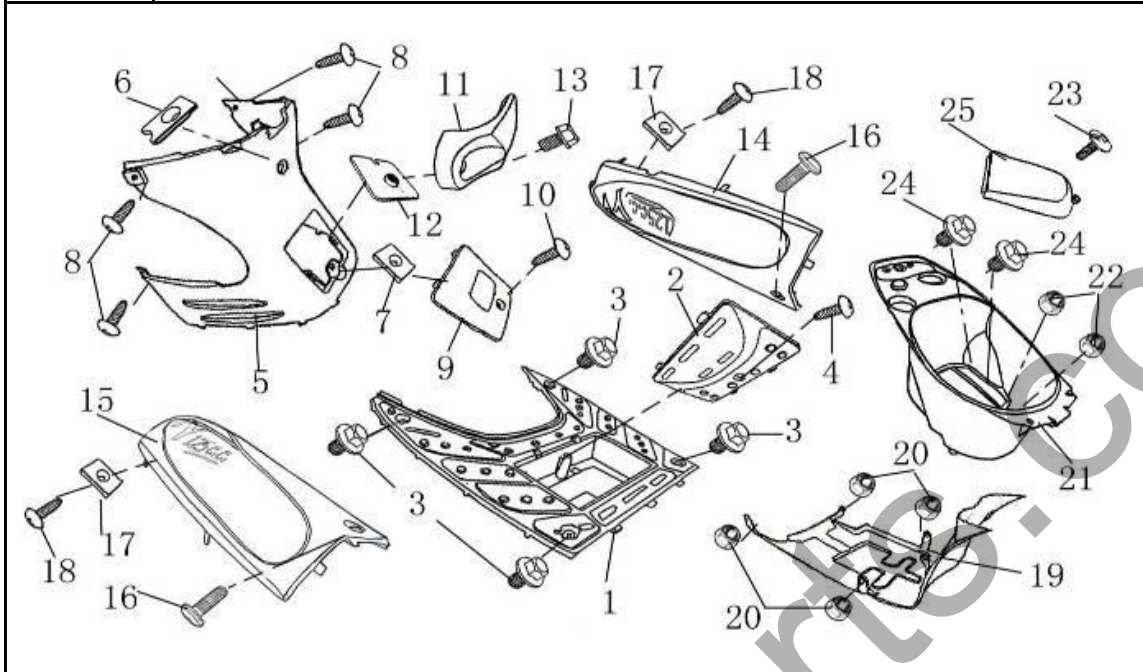
NO.	Part NO.	Description
1	YYSG15013001	Seat Assy
2	YYSG15013002	Holder, Seat
3	YYSG15013003	Axle Pin, Seat
4	GB/T6177.1-M6	Nut, M6

图 14	前面罩/前护条/工具箱	YY125T-21
Draft 14	FRONT COVER, SHIELD & LUGGAGE CARRIER	YYSG12514000



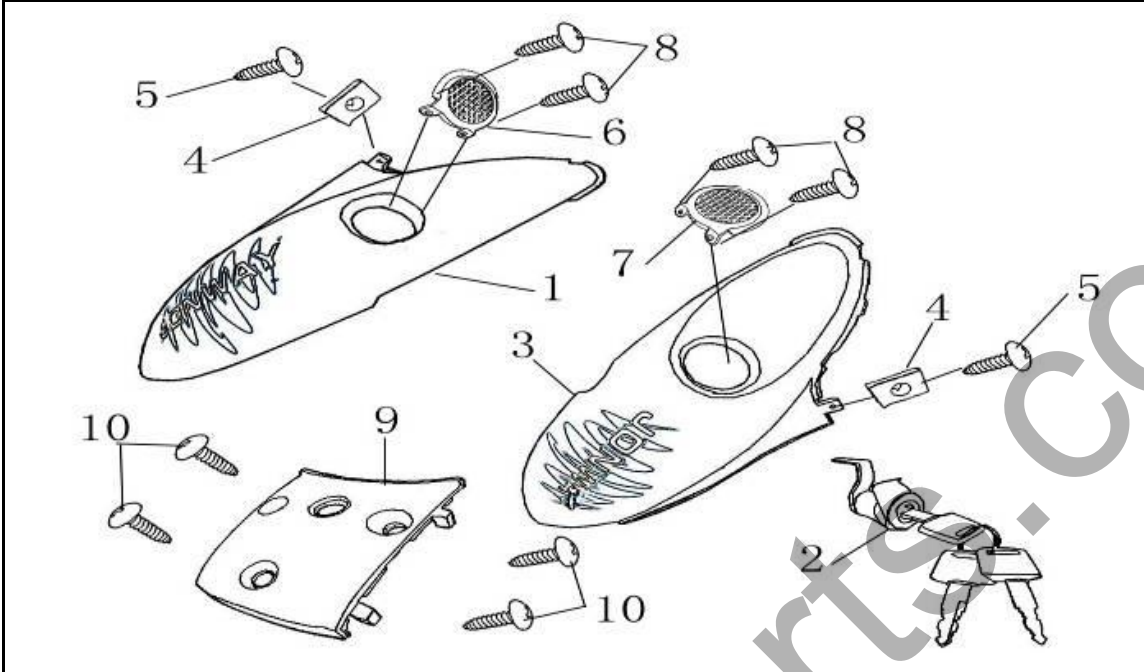
NO.	Part NO.	Description
1	YYSG15014001	Front Cover
2	YYSG15014002	Screw, M6×12
3	GB/T95- φ 6	Plain Washer, φ6
4	GB/T845-ST4.2×16	Screw, Tapping ST4.2×16
5	YYSG15014003	Decorating Small Cap, Front Cover
6	GB/T845-ST4.2×12	Screw, Tapping ST4.2×12
7	YYSG15014004	Net Cover
8	GB/T9074.1-M5×16	Screw with Washer, M5×16
9	GB/T6177.1-M5	Nut, M5
10	YYSG15014005	Left Front Shield
11	YYSG15014006	Right Front Shield
12	GB/T9074.1-M5×16	Screw with Washer, M5×16
13	YYSG15014007	Clamp, M6
14	GB/T845-ST4.2×12	Screw, Tapping ST4.2×12
15	GB/T845-ST4.8×16	Screw, Tapping ST4.8×16
16	YYSG15014008	Front Luggage Carrier
17	GB/T9074.14-M6×16	Bolt with Washer, M6×16
18	YYSG15014009	Cover, Front Luggage Carrier
19	YYSG15014010	Rocker Arm, Front Luggage Carrier
20	GB/T845-ST4.2×12	Screw, Tapping ST4.2×12
21	YYSG15014011	Lock Assy, Front Luggage Carrier Cover
22	YYSG15014012	Cover, Chassis No.
23	YYSG15014013	Side Retro Reflecting Device
24	GB/T6177.1-M5	Flange Nut, M5

图 15	脚踏底板/置物箱/置物箱前 YY125T-21
Draft 15	FOOTREST, LUGGAGE CABINET & ITS FRONT COVER YYS12512500



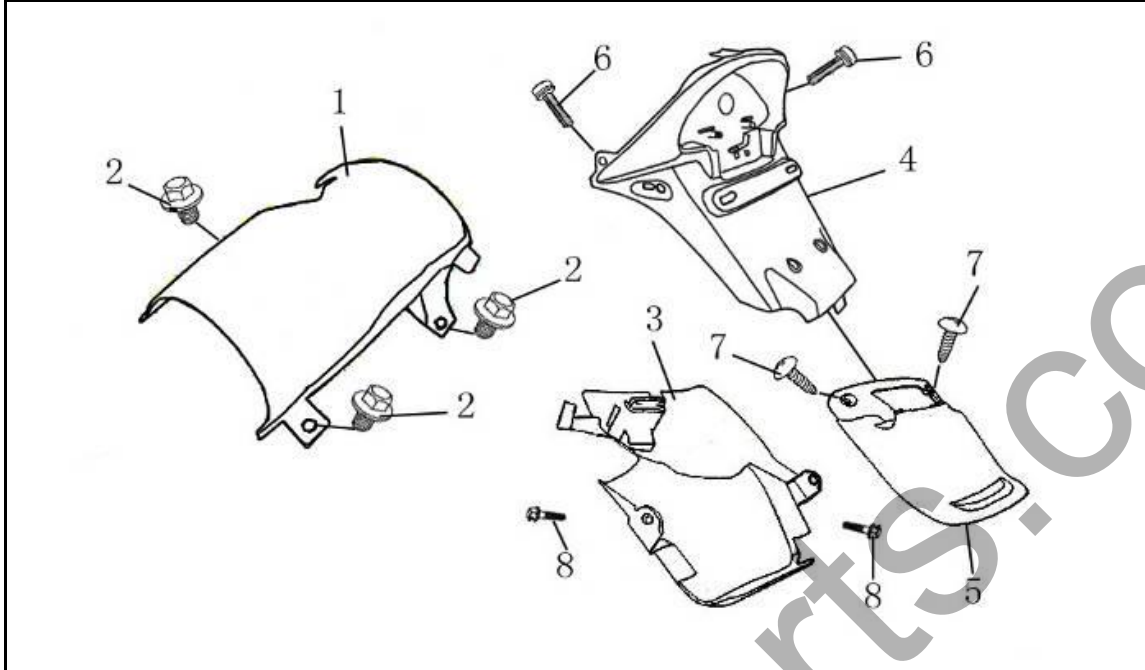
NO.	Part NO.	Description
1	YYS15015001	Footrest Base Panel
2	YYS15015002	Cover, Battery
3	GB/T9074.14-M6×20	Hex Bolt with Washer, M6×20
4	GB/T845-ST4.8×12	Screw, Tapping ST4.8×12
5	YYS15015003	Front Cover, Luggage Cabinet
6	YYS15015004	Clamp, M6
7	YYS15015005	Clamp, 4.2mm
8	GB/T845-ST4.8×12	Screw, Tapping ST4.8×12
9	YYS15015006	Cap, Front Cover, Luggage Cabinet
10	GB/T845-ST4.8×16	Screw, Tapping ST4.8×16
11	YYS15015007	Hook, Helmet
12	YYS15015008	Fixing Plate, Helmet Hook
13	GB/T5789-M6×16	Flange Bolt, M6×16
14	YYS15015009	Left Cover
15	YYS15015010	Right Cover
16	GB/T818-M6×16	Screw, M6×16
17	YYS15015011	Clamp, 4.2mm
18	GB/T845-ST4.8×16	Screw, Tapping ST4.8×16
19	YYS15015012	Fender, Frame
20	GB/T6177.1-M6	Flange Nut, M6
21	YYS15015013	Luggage Cabinet
22	GB/T6177.1-M6	Flange Nut, M6
23	YYS15015014	Screw, M6×16
24	GB/T9074.14-M6×16	Bolt with Washer, M6×16
25	YYS15015015	Inner Cap, Luggage Cabinet

图 16	车体护板	YY125T-21
Draft 16	SIDE & REAR COVERS	YYSG12516000



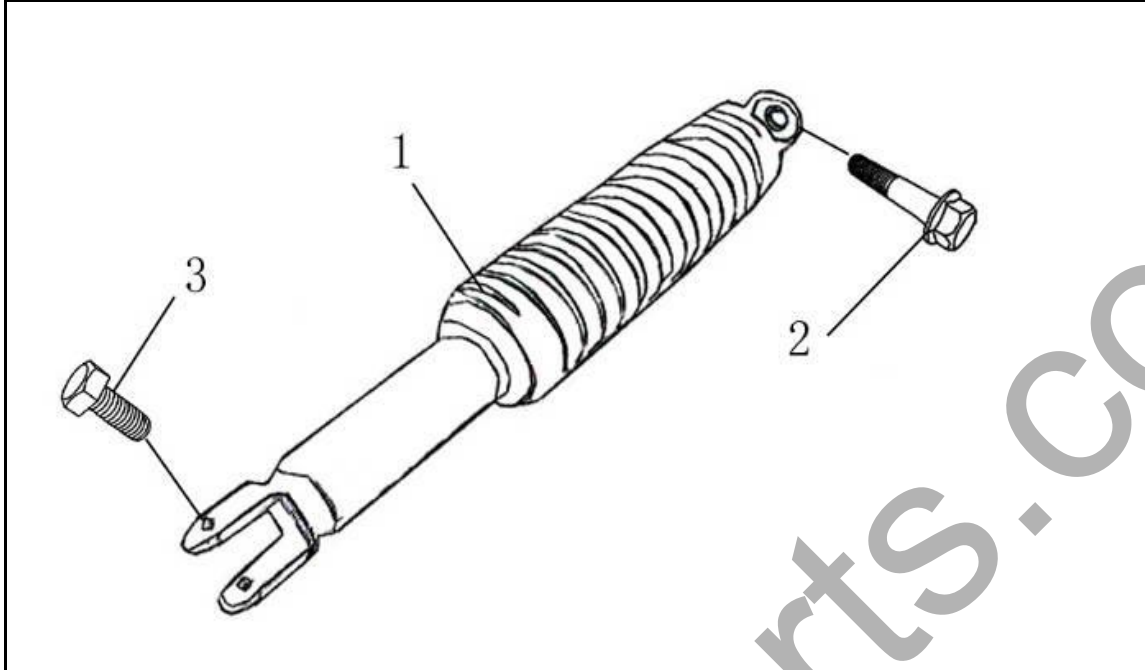
NO.	Part NO.	Description
1	YYSG15016001	L. Decorating Cover
2	YYSG15016002	Lock Assy, Seat
3	YYSG15016003	R. Decorating Cover
4	YYSG15016004	Clamp, 4.2mm
5	GB/T845-ST4.2×16	Screw, Tapping ST4.2×16
6	YYSG15016005	Left Intake Fender
7	YYSG15016006	Right Intake Fender
8	GB/T845-ST4.2×12	Screw, Tapping ST4.2×12
9	YYSG15016007	Rear Central Decorating Cover
10	GB/T845-ST4.2×12	Screw, Tapping ST4.2×12

图 17	后轮挡泥板	YY125T-21
Draft 17	REAR MUDGUARD	YYSG12517000



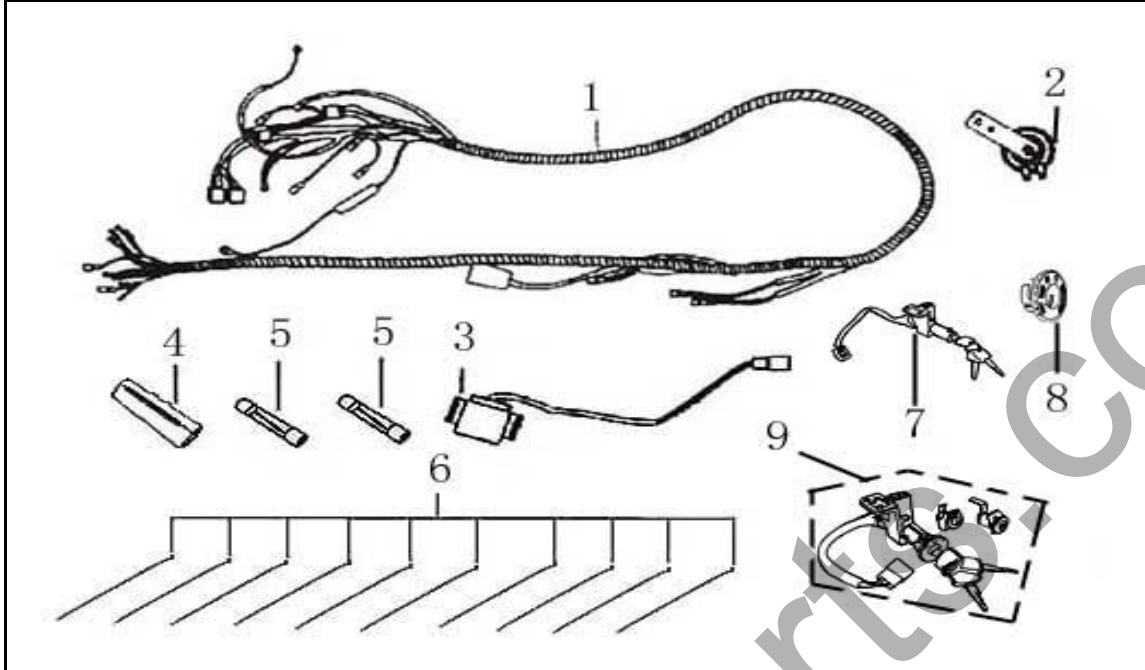
NO.	Part NO.	Description
1	YYSG15017001	Rear Mudguard, Rear Wheel
2	GB/T9074.14-M6×16	Hex Bolt with Washer, M6×16
3	YYSG15017002	Front, Rear Fender
4	YYSG15017003	Upper, Rear Fender
5	YYSG15017004	Lower, Rear Fender
6	GB/T9074.1-M6×16	Screw with Washer, M6×16
7	GB/T845-ST4.2×12	Screw, Tapping ST4.2×12
8	GB/T5789-M6×12	Flange Bolt, M6×12

图 18	后减震器	YY125T-21
Draft 18	REAR SHOCK ABSORBER YYSG12518000	



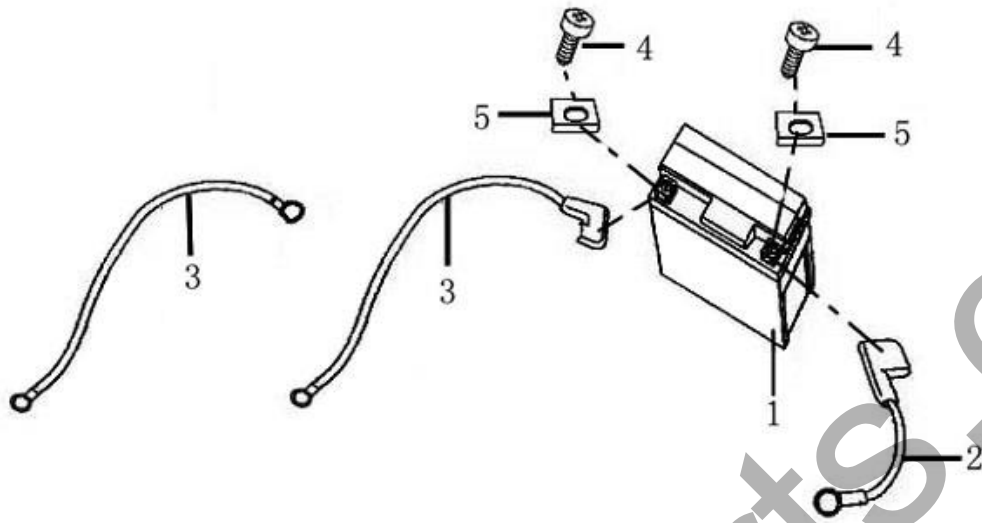
NO.	Part NO.	Description
1	YYSG15018001	Rear Shock Absorber Assy
2	GB/T5789-M10×35	Flange Bolt, M10×35
3	GB/T5780-M8×32	Hex Bolt, M8×32

图 19	主电缆	YY125T-21
Draft 19	WIRE HARNESS	YYSG12519000



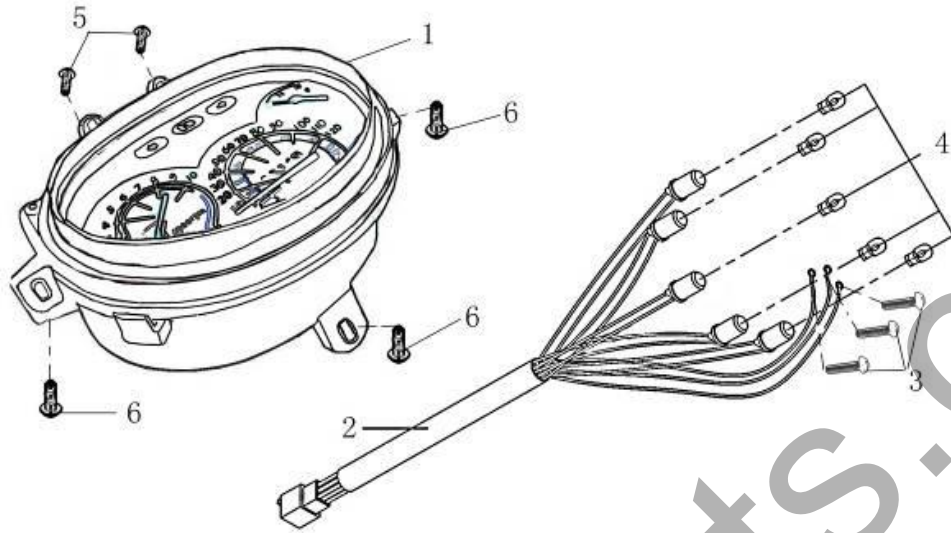
NO.	Part NO.	Description
1	YYSG15019001	Wire Harness
2	YYPT15019002	Horn
3	YYPT15019003	Winker Relay
4	YYPT15019004	Fuse Box
5	YYPT15019005	Fuse 7A
6	YYPT15019006	Strip Set
7	YYSG15019007	Ignition Switch
8	YYSG15019008	Cap, Ignition Switch
9	YYSG15019009	Lock Set

图 20	蓄电池	YY125T-21
Draft 20	BATTERY	YYSG12520000



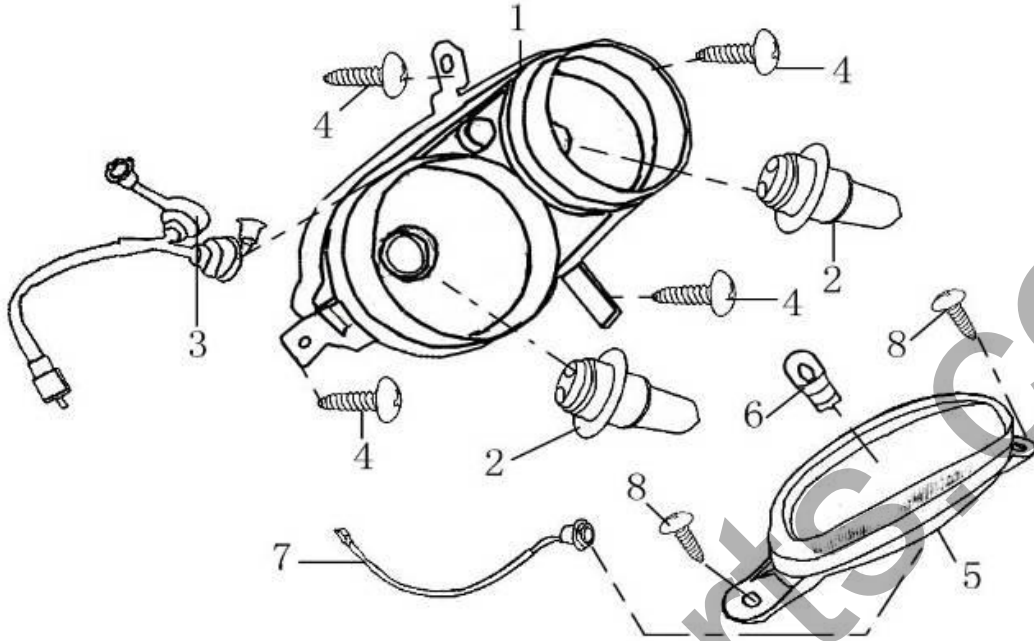
NO.	Part NO.	Description
1	YYSG15020001	Battery 12V7AH
2	YYSG15020002	Cable, Positive Pole
3	YYSG15020003	Cable, Grounding
4	GB/T29.2-M6×10	Bolt, M6×10
5	YYSG15020004	Square Nut, M6

图 21	仪表	YY125T-21
Draft 21	METER	YYSG12521000



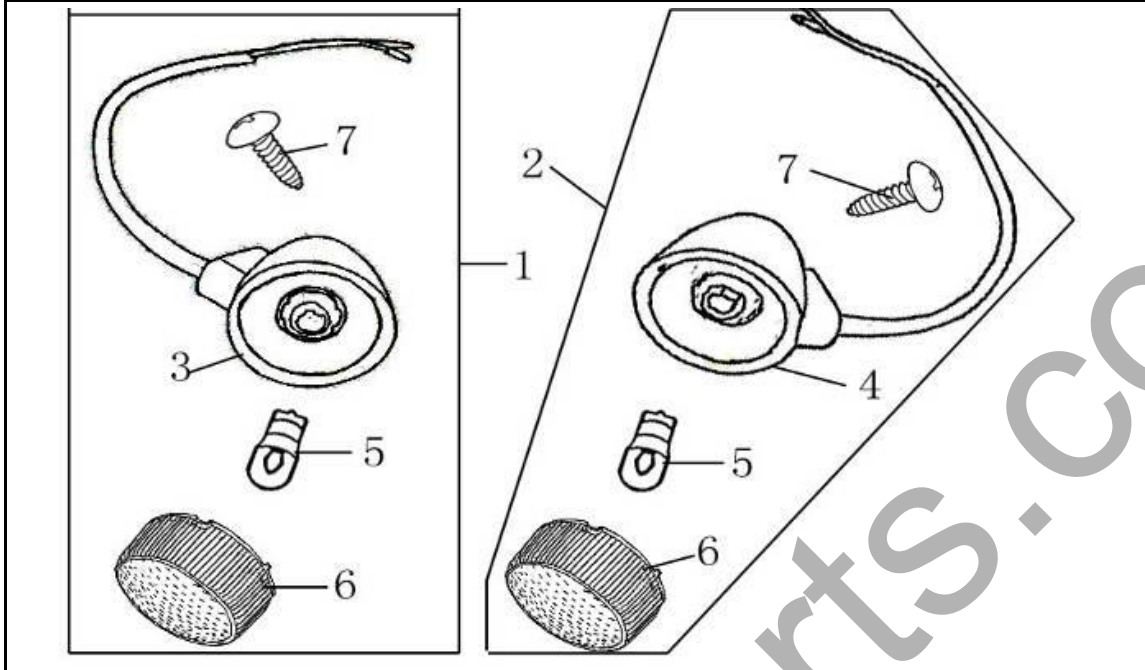
NO.	Part NO.	Description
1	YYSG15021001	Meter Assy
2	YYSG15021002	Wire Cable, Meter
3	GB/T823-M3×21	Screw, M3×21
4	YYSG15021003	Bulb, Meter Light 12V3W
5	GB/T845-ST4.2×12	Screw, Tapping ST4.2×12
6	GB/T845-ST4.8×12	Screw, Tapping ST4.8×12

图 22	前照灯	YY125T-21
Draft 22	HEADLIGHT	YYSG12522000



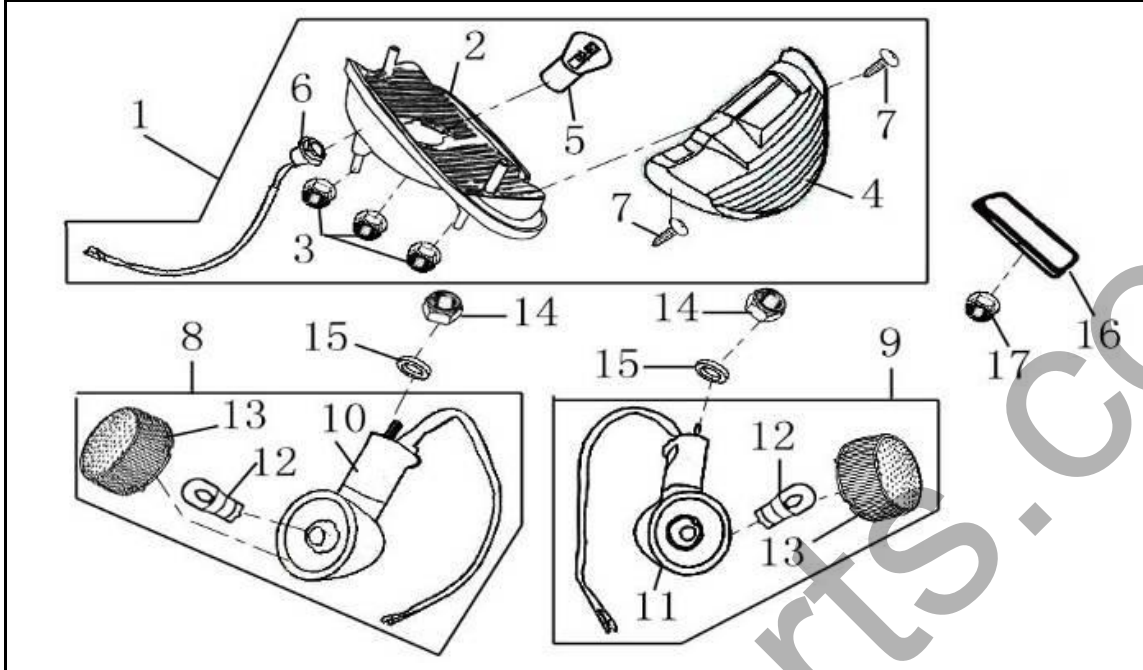
NO.	Part NO.	Description
1	YYSG15022001	Headlight Comp
2	YYSG15022002	Bulb, Headlight 12V35W/35W
3	YYSG15022003	Wire Cable, Headlight
4	GB/T845-ST4.2×12	Screw, Tapping ST4.2×12
5	YYSG15022004	Position Light
6	YYSG15022005	Bulb, Position Light 12V 5W
7	YYSG15022006	Wire Cable, Position Light
8	GB/T845-ST4.2×12	Screw, Tapping ST4.2×12

图 23	前转向灯	YY125T-21
Draft 23	FRONT TURNING LIGHT	YYSG12523000



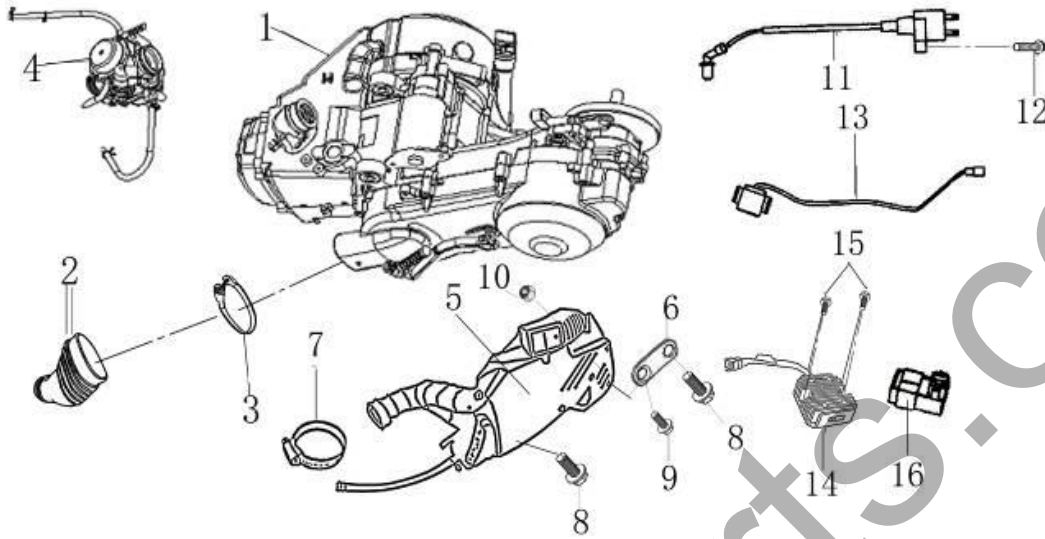
NO.	Part NO.	Description
1	YYSG15023001	L. Front Turning Light Assy
2	YYSG15023002	R. Front Turning Light Assy
3	YYSG15023003	Holder, L. Front Turning Light Assy
4	YYSG15023004	Holder, R. Front Turning Light Assy
5	YYSG15023005	Bulb, Front Turning Light 12V10W
6	YYSG15023006	Len, Front Turning Light Assy
7	GB/T845-ST4.8×12	Screw, Tapping ST4.8×12

图 24	尾灯/后转向灯
Draft 24	REAR LIGHT/REAR TURN YYSG12524000



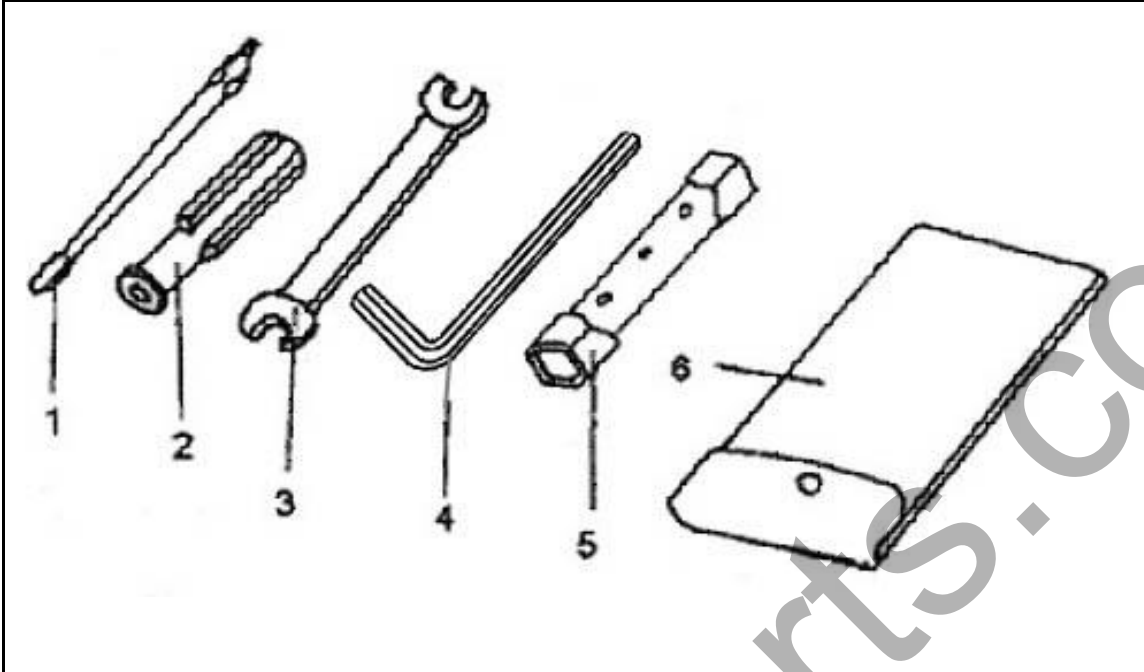
NO.	Part NO.	Description
1	YYSG15024001	Rear Light Assy
2	YYSG15024002	Holder, Rear Light
3	GB/T6177.1-M5	Flange Nut, M5
4	YYSG15024003	Len, Rear Light
5	YYSG15024004	Bulb, Rear Light(12V/5w/21w)
6	YYSG15024005	Wire Cable, Rear Light
7	GB/T15856.1-4.2×16	Screw, Tapping ST4.2×16
8	YYSG15024005	L. Rear Turning Light Assy
9	YYSG15024006	R. Rear Turning Light Assy
10	YYSG15024007	Holder, L. Rear Turning Light Assy
11	YYSG15024008	Holder, R. Rear Turning Light Assy
12	YYSG15024009	Bulb, Rear Turning Light
13	YYSG15024010	Len, Rear Turning Light
14	GB/T41-M8	Hex Nut, M8
15	GB/T95- φ8	Plain Washer, φ8
16	YYSG15024012	Rear Retro Reflecting Device
17	GB/T6177.1-M5	Flange Nut, M5

图 25	发动机总成/空滤器	YY125T-21
Draft 25	ENGINE COMP & AIR CLI YYS12525000	



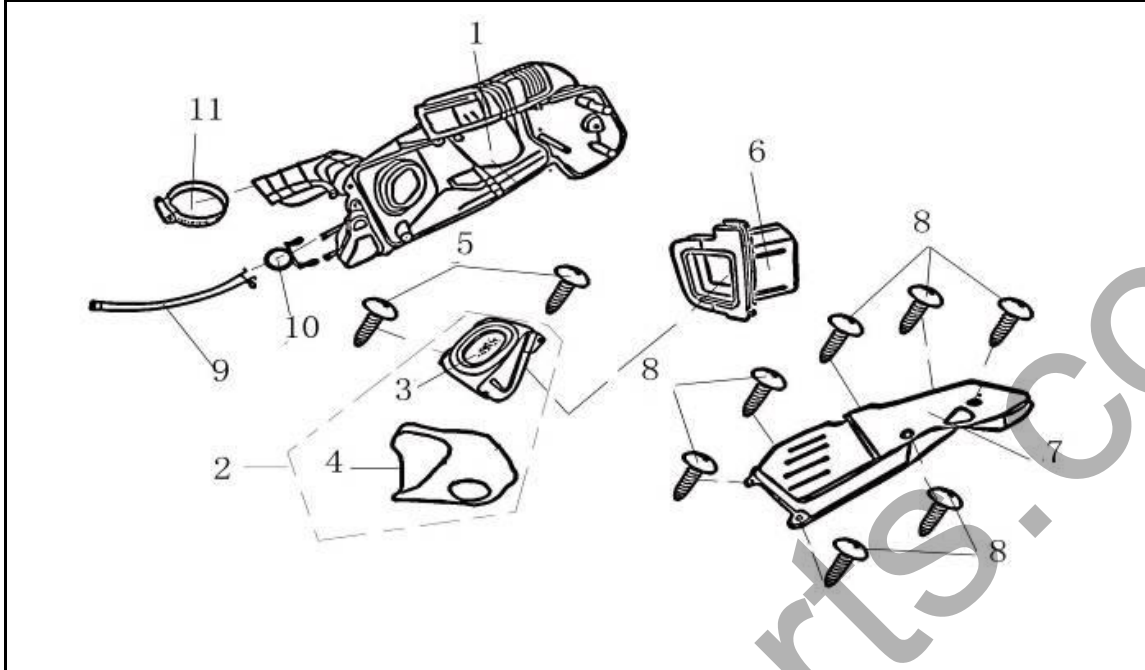
NO.	Part NO.	Description
1	YYSG15025001	Engine Assy
2	YYSG15025002	Air Inlet Pipe
3	YYSG15025003	Clip
4	YYSG15025004	Carburetor Assy
5	YYSG15025005	Air Cleaner Assy
6	YYSG15025006	Fixing Connecting Plate, Air Cleaner
7	YYSG15025007	Clip, Air Cleaner
8	GB/T5789-M6×30	Bolt, M6×30
9	GB/T5789-M6×16	Bolt, M6×16
10	GB/T6177.1-M6	Flange Nut, M6
11	YYPT15025008	Ignition Coil Assy
12	GB/T818-M6×25	Screw, M6×25
13	YYPT15025009	Starter Relay
14	YYPT15025010	Rectifier
15	GB/T5789-M6×16	Bolt, M6×16
16	YYPT15025011	CDI

图 26	随车工具	YY125T-21
Draft 26	TOOLS ASSY	YYSG12526000



NO.	Part NO.	Description
1	YYPT00026001	Double Ended Screw Driver
2	YYPT00026002	Screw Driver Socket
3	YYPT00026003	Double Ended Spanner 8-10
4	YYPT00026004	Inner Hex Spanner
5	YYPT00026005	Spark Plug Socket
6	YYPT00026006	Tools Bag

图 27	空滤器	YY125T-21
Draft 27	AIR CLEANER	YYSG12527000



NO.	Part NO.	Description
1	YYSG15027001	Body, Air Cleaner
2	YYSG15027002	Filter Core Assy
3	YYSG15027003	Paper Filter Core
4	YYSG15027004	Sponge Filter
5	GB/T845-ST4.8×12	Screw, Tapping ST4.8×12
6	YYSG15027005	Air Inlet Mouth
7	YYSG15027006	Case, Air Ceaner
8	GB/T845-ST4.8×12	Screw, Tapping ST4.8×12
9	YYSG15027007	Oil Overflow Tube
10	YYSG15027008	Clip
11	YYSG15027009	Fixing Ring