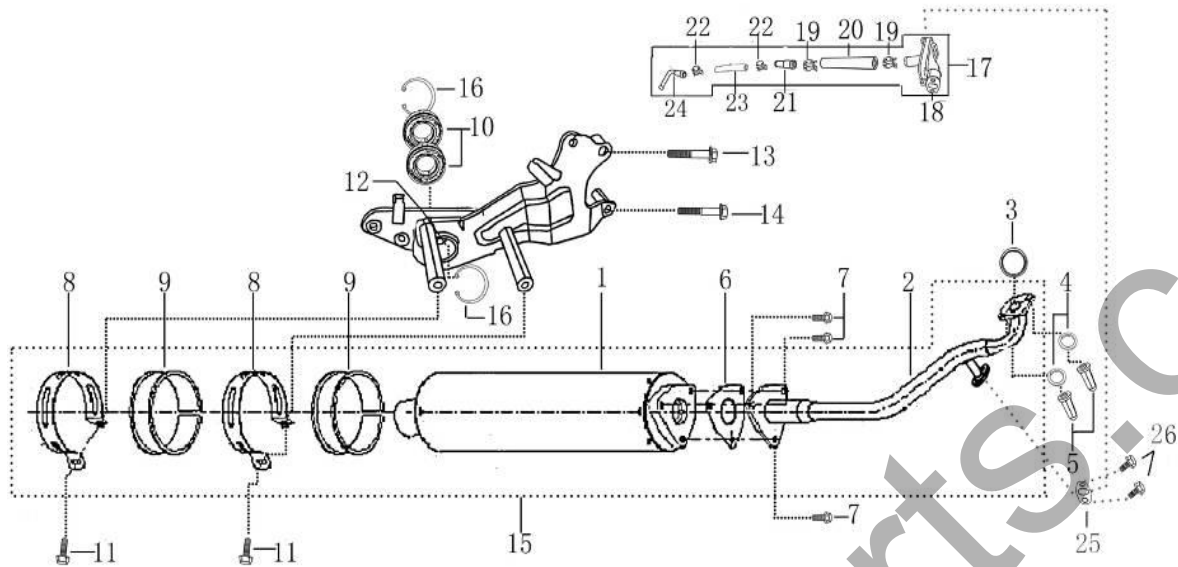


目 录 Directory

图 1	Draft 1	消声器	EXHAUST MUFFLER YDHT31.....	1
图 2	Draft 2	空滤器	AIR CLEANER	2
图 3	Draft 3	电缆/套锁	WIRE HARNESS、 LOCK SET.....	3
图 4	Draft 4	电器件	ELECTRICAL.....	4
图 5	Draft 5	仪表	METER.....	5
图 6	Draft 6	前大灯	HEADLIGHT.....	6
图 7	Draft 7	尾灯/后转向灯	REAR LIGHT/REAR TURNING LIGHT.....	7
图 8	Draft 8	操纵手把/拉索/开关	HANDLEBAR,CABLE & SWITCH.....	8
图 9	Draft 9	方向把/后视镜	HANDLE,REAR VIEW MIRROR.....	9
图 10	Draft 10	前面板/前护条	FRONT COVER,SHIELD.....	10
图 11	Draft 11	工具箱	LUGGAGE CARRIER.....	11
图 12	Draft 12	车体护板	SIDE & REAR COVERS.....	12
图 13	Draft 13	座垫/杂物箱	SEATLUGGAGE CABINET.....	13
图 14	Draft 14	脚踏底板/杂物箱前罩	FOOTREST,LUGGAGE CABINET FRONT COVER.....	14
图 15	Draft 15	前泥板	FRONT MUDGUARD.....	15
图 16	Draft 16	后轮挡泥板	REAR MUDGUARD.....	16
图 17	Draft 17	车架	FRAME.....	17
图 18	Draft 18	主支架/侧支架	MAIN/SIDE STAND.....	18
图 19	Draft 19	燃油箱	FUEL TANK.....	19
图 20	Draft 20	方向柱/前减震	STEERING/FRONT SHOCK ABSORBER.....	20
图 21	Draft 21	后货架	REAR BAGGAGE RACK.....	21
图 22	Draft 22	前轮	FRONT WHEEL.....	22
图 23	Draft 23	后轮	REAR WHEEL.....	23
图 24	Draft 24	随车工具	TOOLS ASSY.....	24
图 25	Draft 25	前液压制动器	FRONT HYDRAULIC BRAKE.....	25
图 26	Draft 26	后液压制动器	REAR HYDRAULIC BRAKE.....	26
图 27	Draft 27	前转向灯	FRONT TURNING LIGHT.....	27

图1

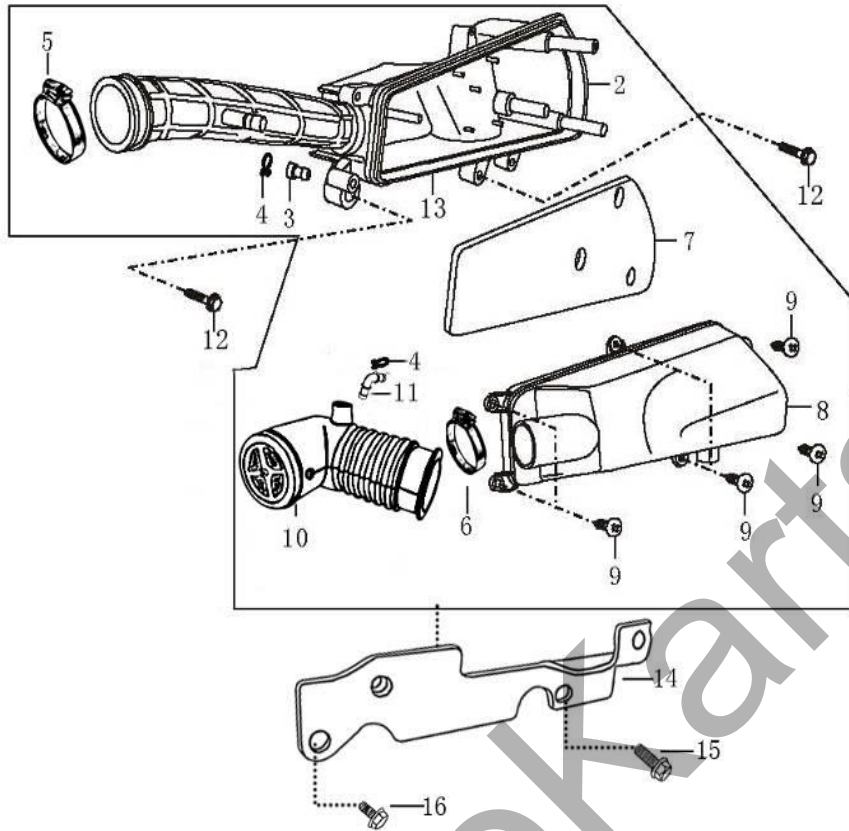
Draft 1



NO.	Part NO.	New NO.	Old NO.	Description
1	2100301-4	[700700	700700	Pipe, Exhaust Muffler
2	2100301-9	[706369		Front Tube, Exhaust Muffler
3	1100402-1	[700587		Washer, Exhaust Outlet
4	9150208001-5	[706158		Spring Washer, $\phi 8$
5	8010206032-5	[706176		Cap Nut, M6 \times 32
6	2100301-5	[700969		Asbestos Gasket, Muffler
7	9050608016-5	[706874		Flange Bolt, M8 \times 16
8	2100301-7	[700703	700703	Fixing Ring, Muffler
9	2100301-8	[700704	700704	Rubber Cushion Strip, Muffler Fixing Ring
10	2100105-2	[700209	700209	Bearing, 6203-2RS
11	9050608025-5	[706875		Flange Bolt, M8 \times 25
12	1100305-1	[700705	700705	Connecting Plate, Engine
13	9050608050-5	[706118		Flange Bolt, M8 \times 50
14	9050608065-5	[706876		Flange Bolt, M8 \times 65
15	1100301-3	[706370		Exhaust Muffler Assy(e9 REX 139QMB-02)
16	2100105-3	[703815	703815	Elastic hoop- $\phi 40$
17	1210001-2	[701552	701552	Pcv Recycling Gases Valve Assy
18	2210001-11	[701553	701553	Pcv Recycling Gases Valve
19	2210001-12	[701554	701554	Clip($\phi 19$)
20	2210001-13	[701555	701555	Pipe($\phi 13 \times \phi 20$)
21	2210001-14	[701556	701556	Rotate connection
22	2210001-15	[701557	701557	Clip($\phi 14$)
23	2210001-16	[701558	701558	Pipe($\phi 10 \times \phi 15$)
24	2210001-17	[701559	701559	Transition elbow
25	2210001-10	[701318		Paper Gasket
26	9050606012-5	[706104		Flange Bolt, M6 \times 12

图2

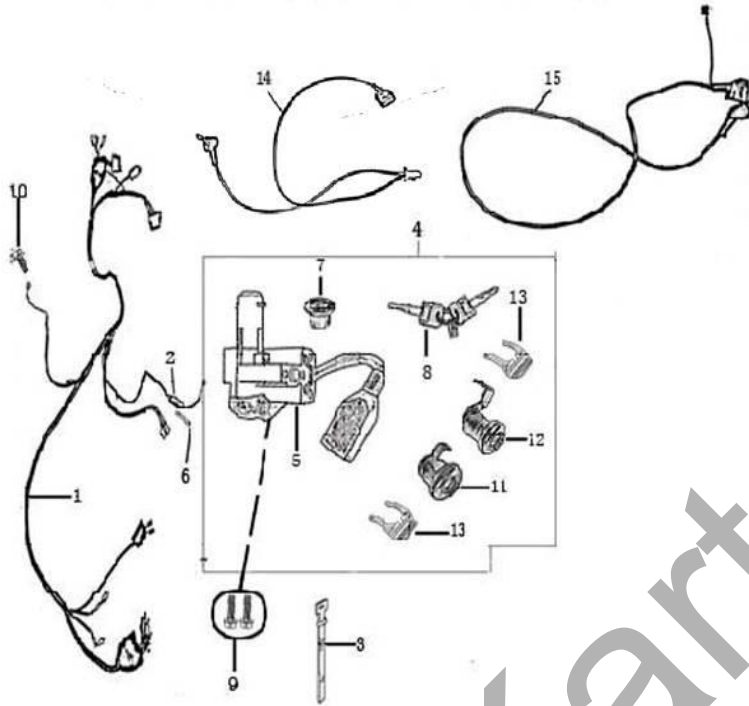
Draft 2



NO.	Part NO.	New NO.	Old NO.	Description
1	1200301-2	[700707	700707	Air Cleaner Assy
2	2200301-4	[700708	700708	Body, Air Cleaner
3	2200401-16	[701837	700307	Plug Pipe
4	1170408-1	[700308	700308	Clip, $\phi 10(1mm)$
5	2200401-5	[700309	700309	Fixing Ring, $\phi (32-44mm)$
6	2200401-15	[700557		Fixing Ring, $\phi (32-40mm)$
7	2200401-9	[700310	700709	Filter Core (Sponge)
8	2200301-6	[700710	700710	Cover, Air Ceaner
9	9111748012-5	[706133		Screw, Tapping ST4.8 \times 12
10	2200301-7	[700312	700312	Air Cleaner Intake Pipe(7-type Long)
11	2200401-6	[700571	700313	Air Cleaner Intake Pipe elbow
12	9050606025-5	[706106		Flange Bolt, M6 \times 25
13	2200401-10	[700315	700711	Seal Gasket
14	1030315-1	[700975		The bracket Air Cleaner
15	9050606012-5	[706104		Flange Bolt, M6 \times 12
16	9050608012-5	[706112		Flange Bolt, M8 \times 12

图3

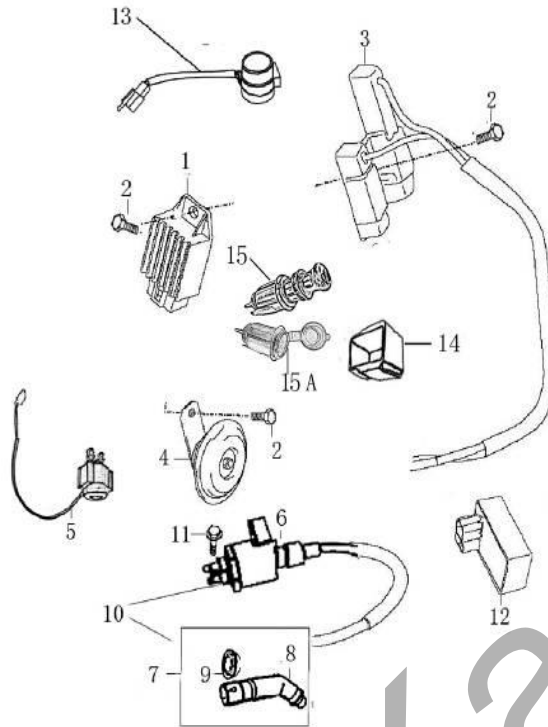
Draft 3



NO.	Part NO.	New NO.	Old NO.	Description
1	1070201-10	[706877]		Wire Harness (含2、6、AC-6)
2	2070401-1	[700541]	700541	Fuse Box
3	1070406	[700318]	700318	Ties
4	1140201-2	[706016]		Lock Set Assy
5				Ignition Switch
6	2070401-2	[700317]	700317	Fuse 15A
7	2140201-1	[701805]	700322	Cap, Lock
8			701015	Key (Foldaway)
9	9050606016-5	[706105]		Flange Bolt, M6×16
10	9050606012-5	[706104]	700127	Flange Bolt, M6×12
11				Hooded lock, seat
12				Seat Lock
13	2140201-2	[701533]		lock catch
14	1070305	[700944]	700543	Cable Assy
15	1070403-2	[701347]	700542	Positive Pole Cable, (Red, 800mm/4mm ²)

图4

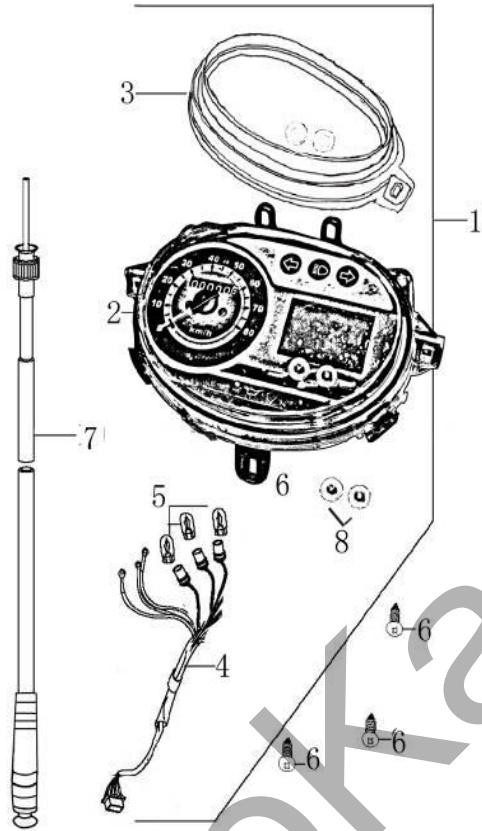
Draft 4



NO.	Part NO.	New NO.	Old NO.	Description
1	1060002-1	[700331	700331	Rectifier (AC-6)
2	9050606012-5	[706104	700127	Flange Bolt, M6×12
3	1060008-1	[700332	700332	Discharge Resistance (Double)
4	1060007-1	[700333	700333	Horn DL127(I E4000113) 12V1.5A
5	1060006-1	[700334	700334	Starter Relay
6	2060005-3	[700335	700335	Ignition Coil
7	2060005-4	[700336	700336	Adapter, Hightention
8	2060005-5	[700338	700338	Cap , Spark plug
9	2060005-6	[700339	700339	Seal , Spark plug
10	1060005-2	[701684	701684	Ignition Coil Assy
11	9101506020-5	[706139		Screw, M6×20
12	1060003-10	[700747	700747	CDI (45km/h, 120/70-12)
12A	1060003-11	[700748	700748	CDI (25km/h, 120/70-12)
13	1060001-1	[700342	700342	Winker Relay
14	1060004-1	[701535		Rubber cover, CDI
15	1060017-1	[706017		Lighter
15A	1060017-2	[706604		Lighter(with cover)

图5

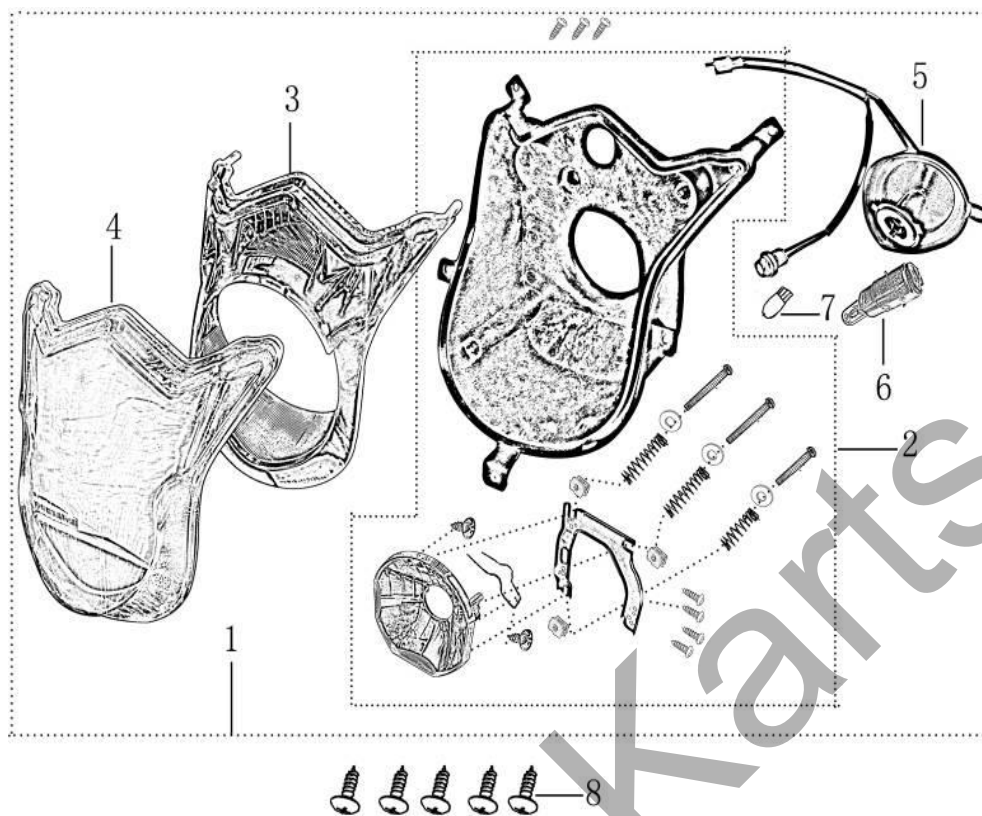
Draft 5



NO.	Part NO.	New NO.	Old NO.	Description
1	1160201-7	[706878		Meter Comp(0-80km/h, s)
2	2160201-15	[706879		Meter
3	2160201-13	[706855		Cover ,Meter
4	2160201-12	[706334		Wire Cable, Meter
5	2160401-3	[702914		Bulb (12V W2W)
6	9111748016-5	[706134		Screw, Tapping ST4.8×16
7	1080201-1	[701261	701035	Cable, Odometer (950mm)
8	2160201-14	[706856		Rubber button

图6
Draft 6

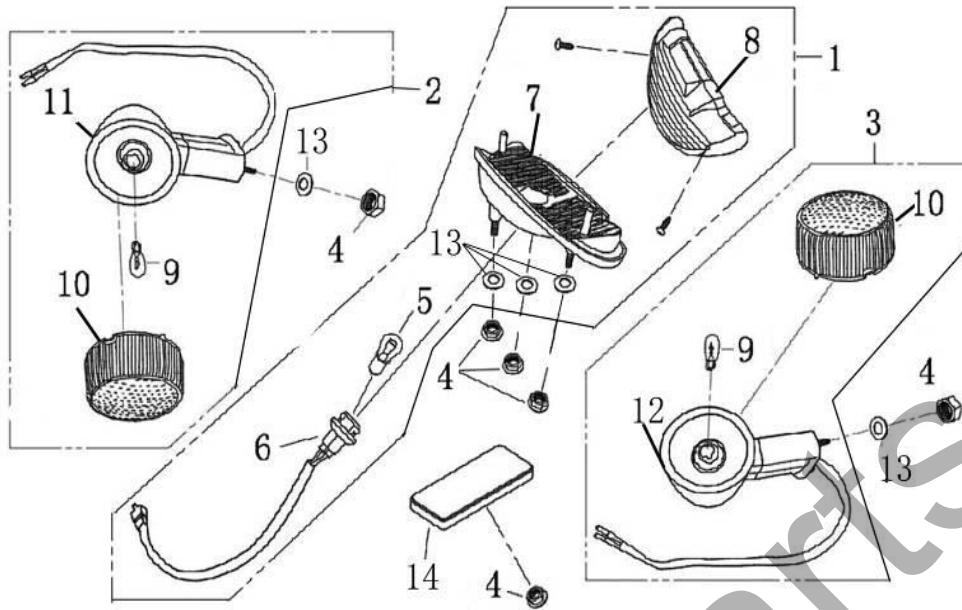
前大灯E4 112R 0012100 /E4 50R 0012100



NO.	Part NO.	New NO.	Old NO.	Description
1	1150201-4	[706707		Headlight Assy (E4 112R 0012100)
2	2150201-21	[706022		Lens, Headlight
3	2150201-22	[706023		Lens, Headlight
4	2150201-23	[706024		Lens, Headlight
5	2150201-24	[706025		Wire Cable, Headlight
6	2150301-4	[706706		Bulb, (S112V 25/25W)
7	2010119-1	[702913	700356	Bulb (12V W5W)
8	9111742012-5	[706131		Screw, Tapping ST4.2×12

图7

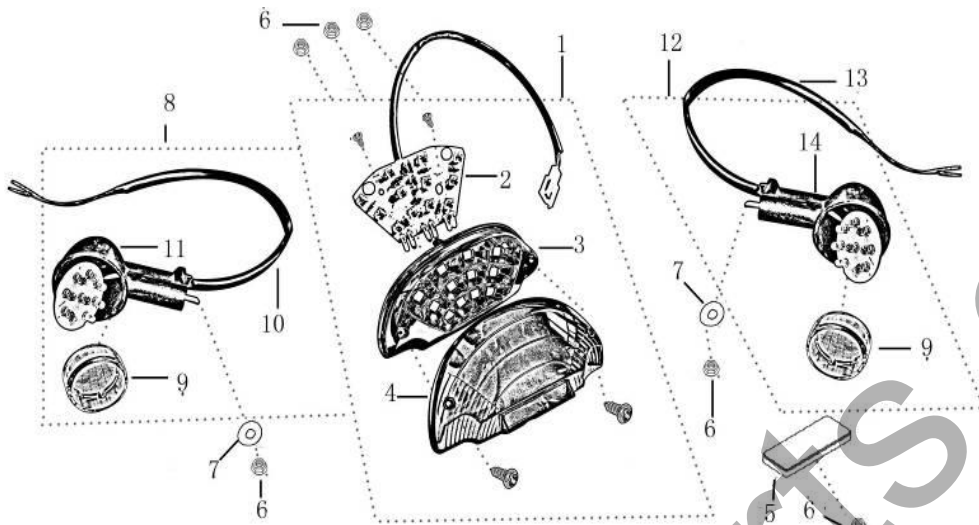
Draft 7



NO.	Part NO.	New NO.	Old NO.	Description
1	1010219-1	[700946	701042	Rear Light Assy(E450R-001148)
2	1010249-1	[701043	701043	L. Rear Turning Light Assy(1112E350R001030)
3	1010251-1	[701044	701044	R. Rear Turning Light Assy(1112E350R001030)
4	9070505001-5	[706100		Flange Nut, M5
5	2010419-3	[702912	700361	Bulb(12V P21/5W)
6	2010219-2	[700947	701045	Wire Cable, Rear Light
7	2010219-3	[700986	701151	Body,Rear Light
8	2010219-4	[700987	701152	Rear Light Cover
9	2010316-3	[702909	700362	Bulb (DM 12V10w)
10	2010249-1	[701153	701153	Body Rear Turning Light
11	2010249-2	[701154	701154	Rear Turning Light L. Cover
12	2010251-1	[701155	701155	Rear Turning Light R. Cover
13	9170106018-5	[706154		Plain Washer, $\phi 6 \times \phi 18$
14	1010003-1	[700586	700363	Rear square Reflecting Device (IA E4 023361)

图7

Draft 7

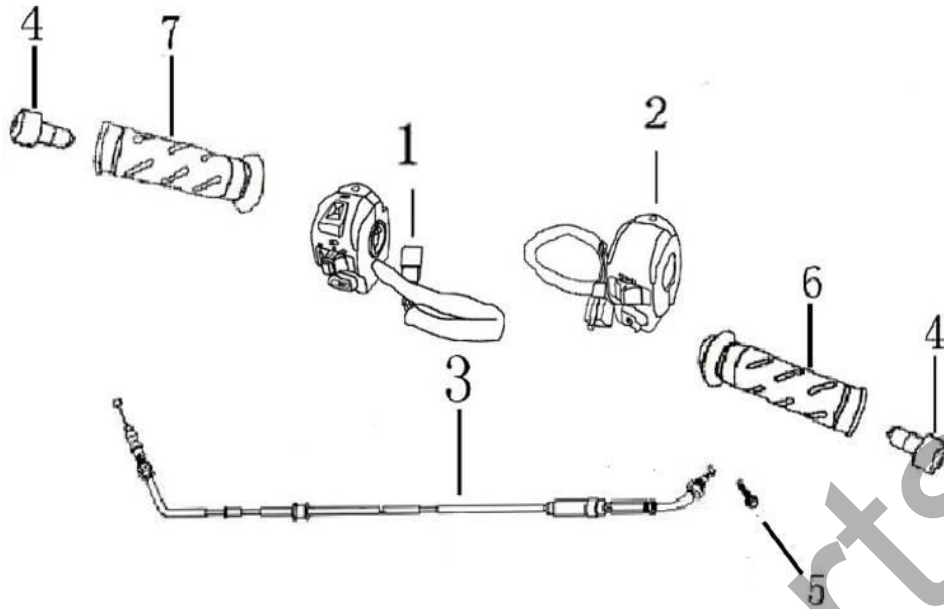


NO.	Part NO.	New NO.	Old NO.	Description
1	1010219-2	[706335]		Rear Light Assy(LED)
2	2010219-5	[706336]		LED Light
3	2010219-6	[706337]		Body, Rear Light
4	2010219-7	[706338]		Rear Light Cover
5	1010003-1	[700586]	700363	Rear square Reflecting Device (IA E4 023361)
6	9070505001-5	[706100]		Flange Nut, M5
7	9170106018-5	[706154]		Plain Washer, $\phi 6 \times \phi 18$
8	1010249-2	[706339]		L. Rear Turning Light Assy(LED)
9	2010249-3	[706340]		Body Rear Turning Light
10	2010249-4	[706341]		LED Light(Rear L.Turning Light)
11	2010249-5	[706342]		Rear Turning Light L. Cover
12	1010251-2	[706343]		R. Rear Turning Light Assy(LED)
13	2010251-2	[706344]		LED Light(Rear R.Turning Light)
14	2010251-3	[706345]		Rear Turning Light R. Cover

图8

操纵手把

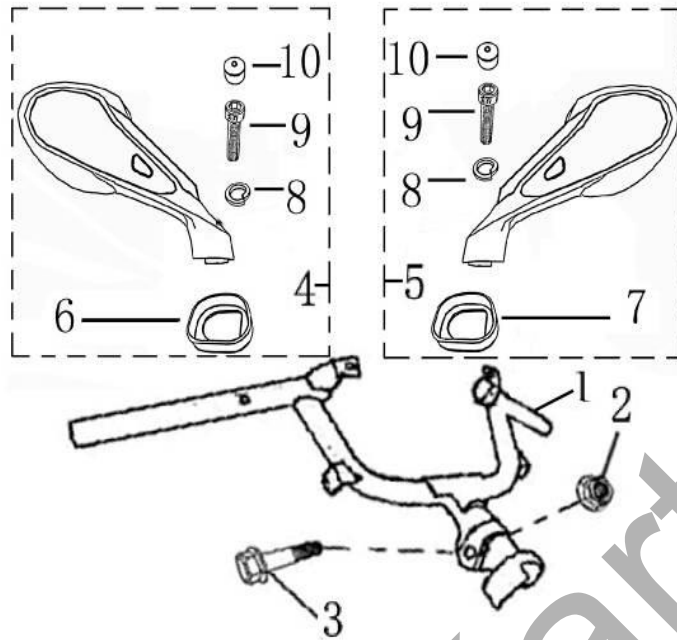
Draft 8



NO.	Part NO.	New NO.	Old NO.	Description
1	1050307-1	[701046	701046	Switch Assy, L. Handlebar
2	1050308-4	[701049	701049	Switch Assy, R. Handlebar
3	1080202-4	[706888		Switch Assy, L. Handlebar (1680mm95mm)
4	1180403-3	[701812	700746	Blace plate, iron
5	9131405012-5	[706135		Screw, M5×12
6	1180302-1	[701809	700740	Throttle Cable, R. (Throttle Control)
7	1180401-2	[701807	700741	Rubber Grip, L. Handle

图9

Draft 9

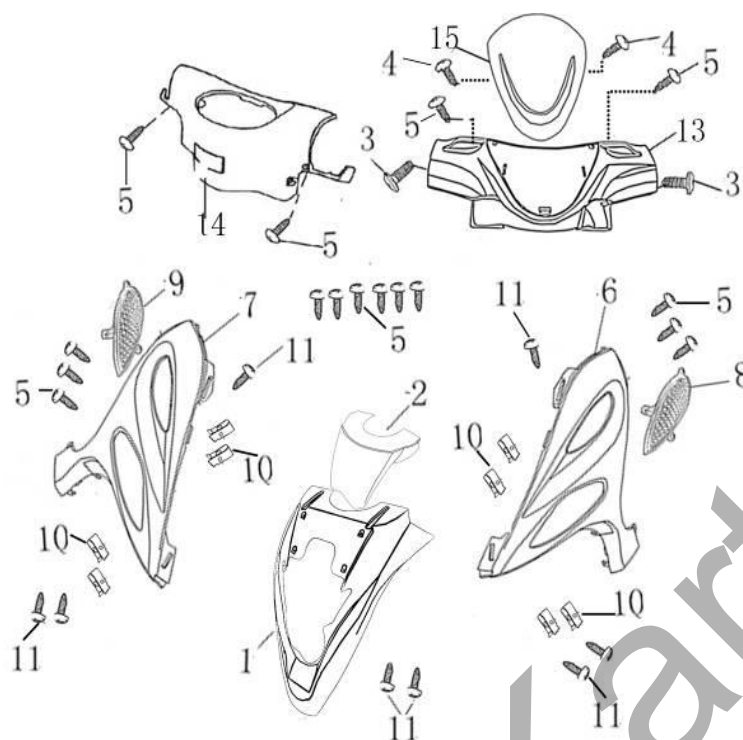


NO.	Part NO.	New NO.	Old NO.	Description
1	1030204-1	[701322	701051	Handle Comp
1A	1030204-1	[706812		Handle Comp
2	9080710001-5	[706122		Flange Lock Nut, M10
3	9050610050-5	[706126		Flange Bolt, M10×50
4	1210205-1()	[701181	701181	Rear View Mirror, L. red
4A	1210205-1()	[701182	701182	Rear View Mirror, L.
4B	1210205-1()			Rear View Mirror, L.
5	1210206-1()	[701183	701183	Rear View Mirror, R. red
5A	1210206-1()	[701184	701184	Rear View Mirror, R.
5A	1210206-1()			Rear View Mirror, R.
6	2210205-1	[701314	701314	Rubber Cover, L. Rear View Mirror
7	2210206-1	[701315	701315	Rubber Cover, R. Rear View Mirror
8	9150208001-3	[703732	700015	Spring Washer, φ8
9	9091208035-3	[703846	700249	Inner Hex bolt M8×35
10	2210106-1	[701777	701316	dustproof cover

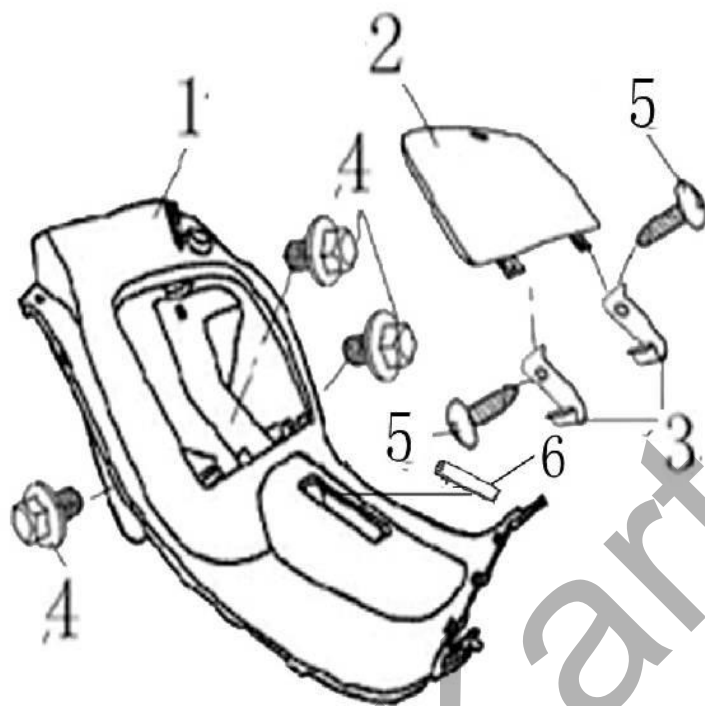
图10

前面板/前

Draft 10



NO.	Part NO.	New NO.	Old NO.	Description
1	1020247-1(0)	[706026		Front Cover
1A	1020247-1(178)	[706356		Front Cover
2	1020248-1(0)	[706027		Upper ,Front Cover
2A	1020248-1(0)	[706028		Upper ,Front Cover
2B	1020248-1(86)	[706357		Upper ,Front Cover
3	9101506012-5	[706137		Screw, M6×12
4	9111742010-5	[706130		Screw, Tapping ST4.2×10
5	9111742012-5	[706131		Screw, Tapping ST4.2×12
6	1020216-1(114)	[701188	701188	Front Left Cover Red
6A	1020216-1(32)	[701189	701189	Front Left Cover Blue
6B	1020216-1(178)	[706358		Front Left Cover titanium-silver
7	1020217-1(114)	[701190	701190	Front Right Cover Red
7A	1020217-1(32)	[701191	701191	Front Right Cover Blue
7B	1020217-1(178)	[706359		Front Right Cover titanium-silver
8	1010231-1	[701062		Decorating Front Left Cover
9	1010231-2	[701063		Decorating Front Right Cover
10	8011042001-5	[706170		Clamp, 4.2mm
11	9111748016-5	[706134		Screw, Tapping ST4.8×16
12	9111742010-5	[706130		Screw, Tapping ST4.2×10
13	1020201-1(114)	[701196	701196	Cover Case, Meter
13A	1020201-1(32)	[701197	701197	Cover Case, Meter
13B	1020201-1(86)	[706360		Cover Case, Meter
14	1010201	[701319	701065	Case, Meter
15	1010227-1	[701066	701066	Cover, L. Handlebar
16	9101506012-5	[706137		Screw, M6×12
17	1220201-13	[706880		applique(Hiker 2.0 CITY.SCOOTER)

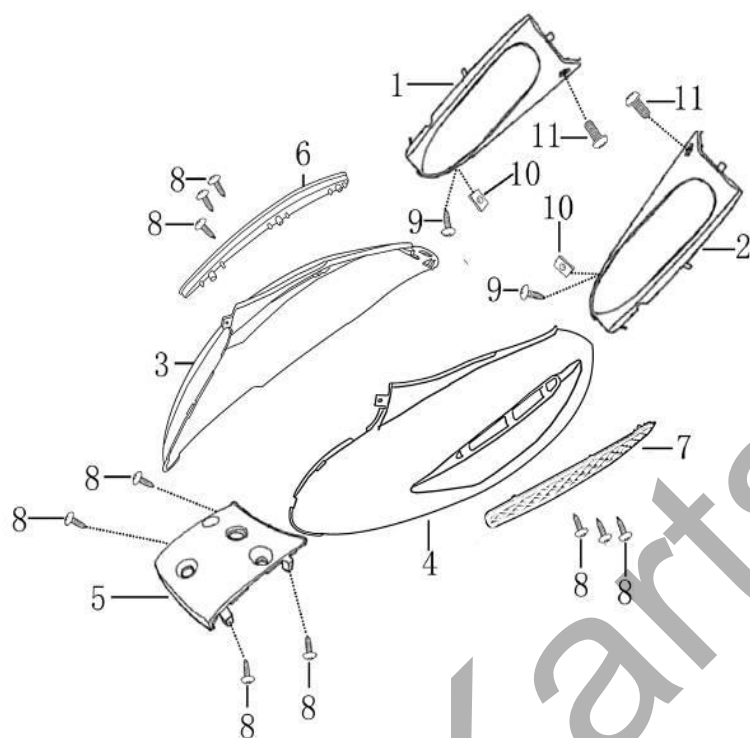


NO.	Part NO.	New NO.	Old NO.	Description
1	1010202-1	[701067	701067	Front Luggage Carrier
2	1010229-1	[701068	701068	Cover, Front Luggage Carrier
3	1030239	[701069	701069	Rocker Arm, Front Luggage Carrier
4	9120406012-5	[706110		Bolt with Washer, M6×12
5	9111742012-5	[706131		Screw, Tapping ST4.2×12
6	1010203-1	[701332	700764	Cover, Chassis No.

图12

车体护板

Draft 12

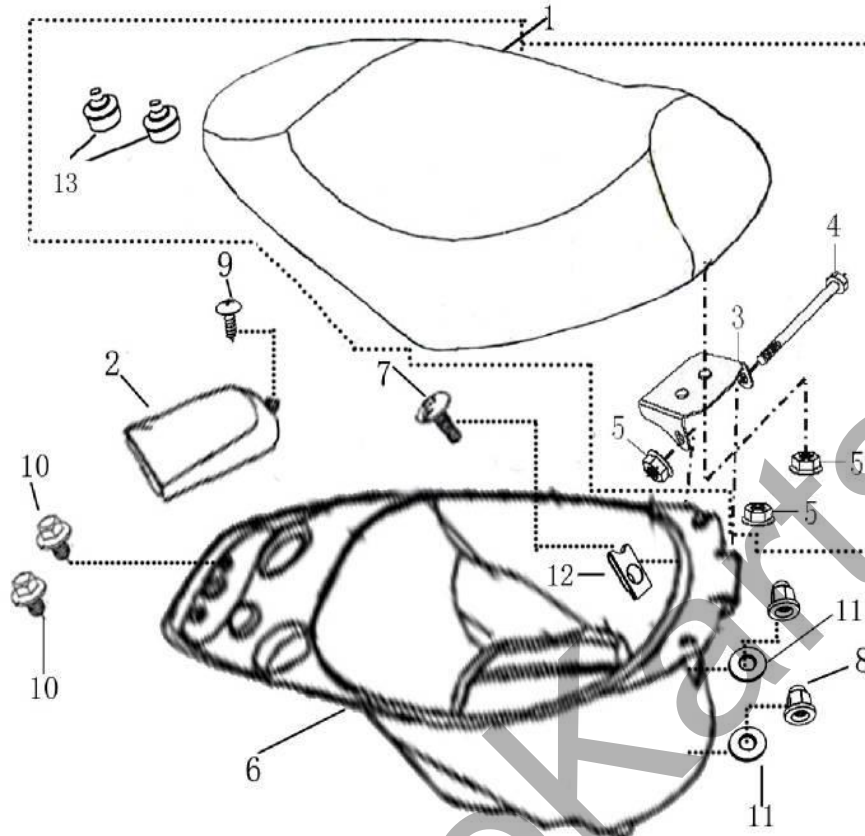


NO.	Part NO.	New NO.	Old NO.	Description
1	1020229-1(114)	[701204	701204	Left Shield, red
1A	1020229-1(32)	[701205	701205	Left Shield, blue
1B	1020229-1(178)	[706361		Left Shield, titanium-silver
1C	1020229-1(86)	[701075	701075	Left Shield(Black)
2	1020230-1(114)	[701206	701206	Right Shield, red
2A	1020230-1(32)	[701207	701207	Right Shield, blue
2B	1020230-1(178)	[706362		Right Shield, titanium-silver
2C	1020230-1(86)	[701076	701076	Right Shield(Black)
3	1020249-1	[706029		L. Decorating Cover, red
3A	1020249-1	[706030		L. Decorating Cover, blue
3B	1020249-1(178)	[706363		L. Decorating Cover,
4	1020250-1	[706031		R. Decorating Cover, red
4A	1020250-1	[706032		R. Decorating Cover, blue
4B	1020250-1(178)	[706364		R. Decorating Cover,
5	1020211-1(114)	[701202	701202	Rear Central Decorating Cover, red
5A	1020211-1(32)	[701203	701203	Rear Central Decorating Cover, blue
5B	1020211-1(178)	[706365		Rear Central Decorating Cover,
6	1020251-1	[706033		Left Intake Fender
7	1020252-1	[706034		Right Intake Fender
8	9111742012-5	[706131		Screw, Tapping ST4.2×12
9	9111748016-5	[706134		Screw, Tapping ST4.8×16
10	8011042001-5	[706170		Clamp, 4.2mm
11	9101506016-5	[706138		Screw, M6×16

图13

座垫/杂件

Draft 13

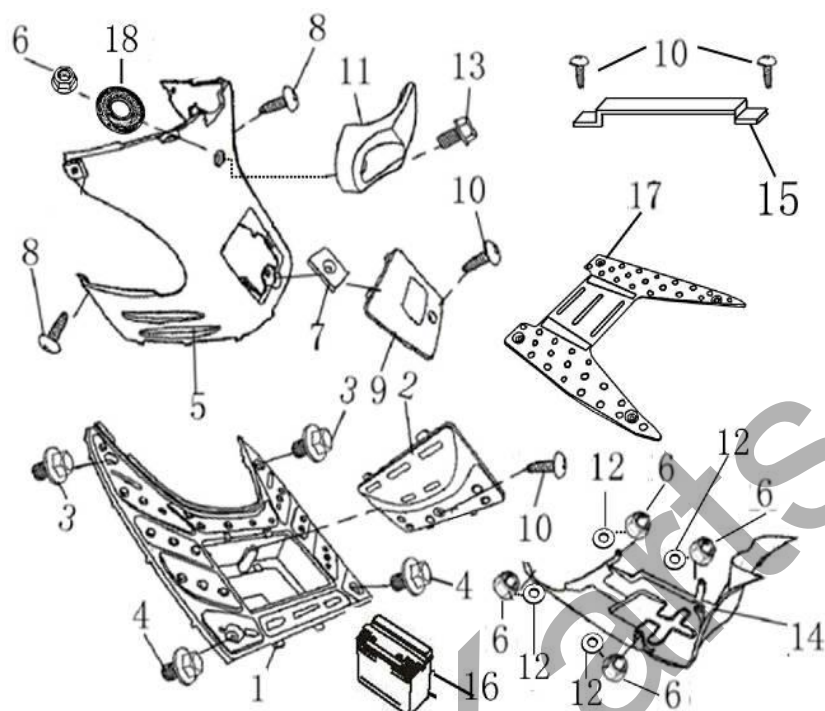


NO.	Part NO.	New NO.	Old NO.	Description
1	1130201-4	[701278		Seat Assy (include 3, 4, 5, 13/3#)
2	1010209	[701078	701078	Inner Cap, Luggage Cabinet
3	2130201-1	[701079	701079	Rocker Arm, Seat
4	2130201-2	[701080	701080	Axle Pin, Seat ($\phi 7 \times 52 \times 13$ -M6)
5	9070506001-3	[703812	703812	Flange Nut, M6
6	1010208-1	[701081	701081	Luggage Cabinet
6	1010208-2	[706035		Luggage Cabinet
7	8010806016-5	[706143		Spherical Screw (with Slot), M6 \times 16 ,
8	8010206017-5	[706146		Cap Nut, M6 \times 17
9	9111748016-5	[706134		Screw, Tapping ST4.8 \times 16
10	9120406012-5	[706110		Bolt with Washer, M6 \times 12
11	9170106018-5	[706154		Plain Washer, $\phi 6 \times \phi 18$
12	8010406001-5	[706168		Clamp, M6
13	2130201-3	[702694		Rubber washer, Seat

图14

脚踏底板

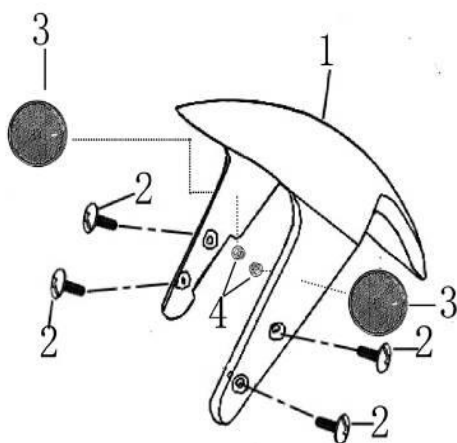
Draft 14



NO.	Part NO.	New NO.	Old NO.	Description
1	1010205-1	[701082	701082	Footrest Base Panel
2	1010207	[701083	701083	Cover, Battery
3	9050606025-5	[703848	703848	Flange Bolt, M6×25
4	9050606020-5	[703847	703847	Flange Bolt, M6×20
5	1010210	[701084	701084	Front Cover, Luggage Cabinet
6	9070506001-5	[706101		Flange Nut, M6
7	8011042001-5	[706170		Clamp, 4.2mm
8	9111742012-5	[706131		Screw, Tapping ST4.2×12
9	1010228	[701085	701085	Cap, Front Cover, Luggage Cabinet
10	9111748016-5	[706134		Screw, Tapping ST4.8×16
11	1010404-2	[700430	701086	Hook, Helmet
12	9170106018-5	[706154		Plain Washer, $\phi 6 \times \phi 18$
13	9050606016-5	[706105		Flange Bolt, M6×16
14	1010212-1	[701088	701088	Fender, Frame
15	1010253	[701277		Holding down strip, battery
16	1210009-1	[700434	700434	Battery Assy 12V7AH
17	1210204-1	[701159	701159	Rubber Mat (Aluminum)
18	8010106032-5	[706155		Helmet Hook washer, $\phi 6 \times \phi 32 \times 2$

图15
Draft 15

前泥板

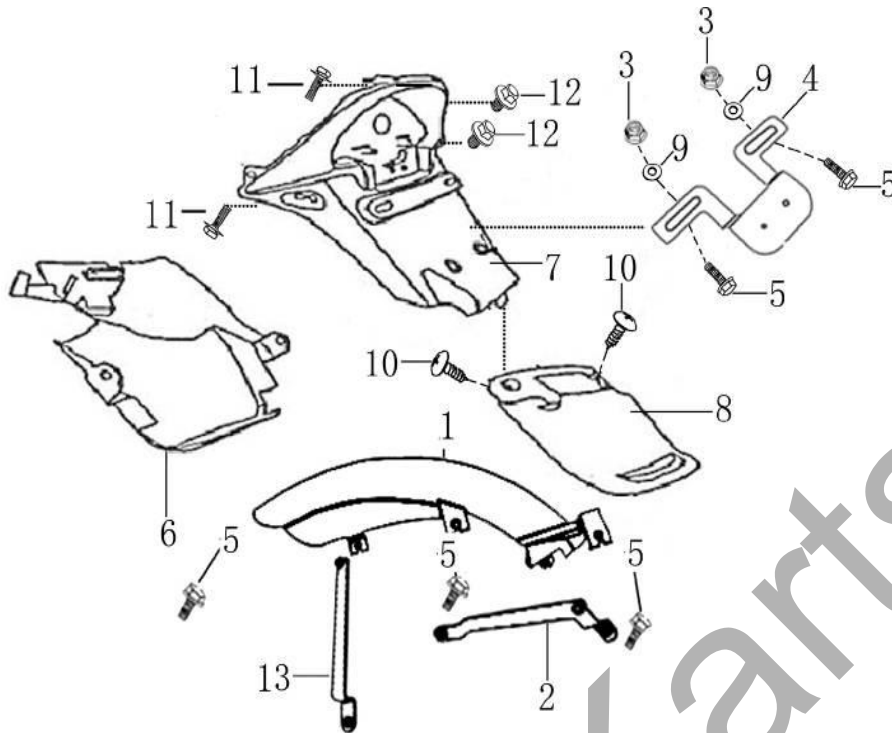


NO.	Part NO.	New NO.	Old NO.	Description
1	1020320 (114)	[701323	701208	Front Mudguard, red
1A	1020320 (32)	[701324	701209	Front Mudguard, blue
1B	1020320 (86)	[701245	701089	Front Mudguard (Black)
2	8011806012-5	[706141		Screw, M6×12
3	1010001-1	[700591	700402	Side Retro Reflecting Device
4	9070505001-5	[706100		Flange Nut, M5

图16

后轮挡泥

Draft 16

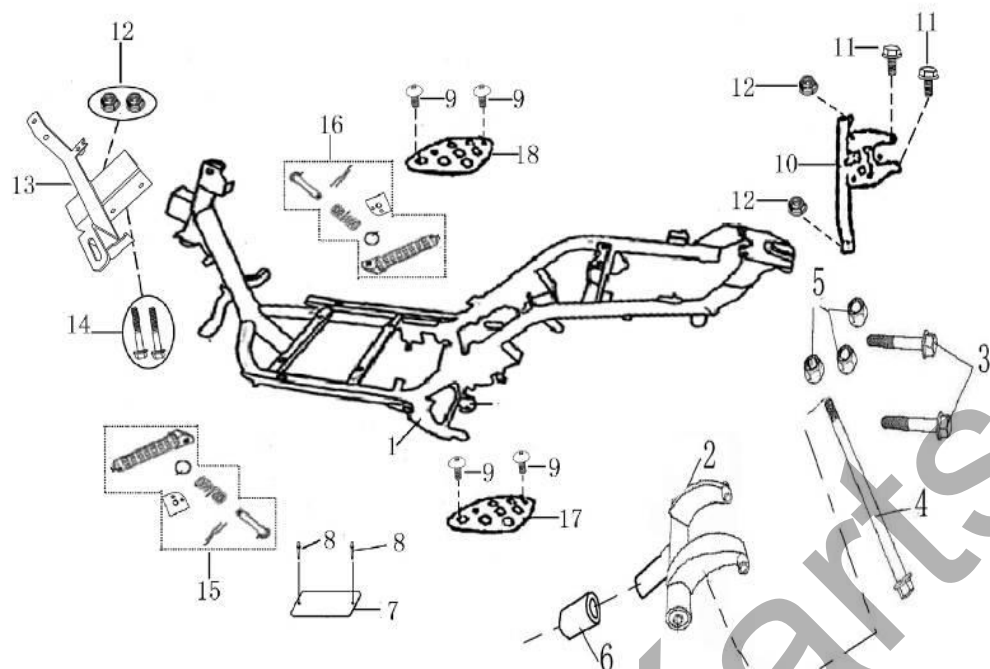


NO.	Part NO.	New NO.	Old NO.	Description
1	1010414-1	[700444	700444	Rear Mudguard, Rear Wheel
2	1030413-1	[700445	700445	L. Bracket, Rear Mudguard
3	9070506001-5	[706101		Flange Nut, M6
4	1030412-1	[701815	701091	Bracket, Registration Plate
5	9050606012-5	[706104		Flange Bolt, M6×12
6	1010252	[701093	701093	Fuel tank carrier
7	1010213-3	[706598		Upper, Rear Fender
8	1010213-2	[701162	701162	Lower, Rear Fender
9	9170106018-5	[706154		Plain Washer, $\phi 6 \times \phi 18$
10	9111742012-5	[706131		Screw, Tapping ST4.2×12
11	9120406016-5	[706111		Bolt with washer, M6×16
12	9120406012-5	[706110		Bolt with Washer, M6×12
13	1030313-2	[700794	700794	R. Bracket, Rear Mudguard(long)

图17

车架

Draft 17

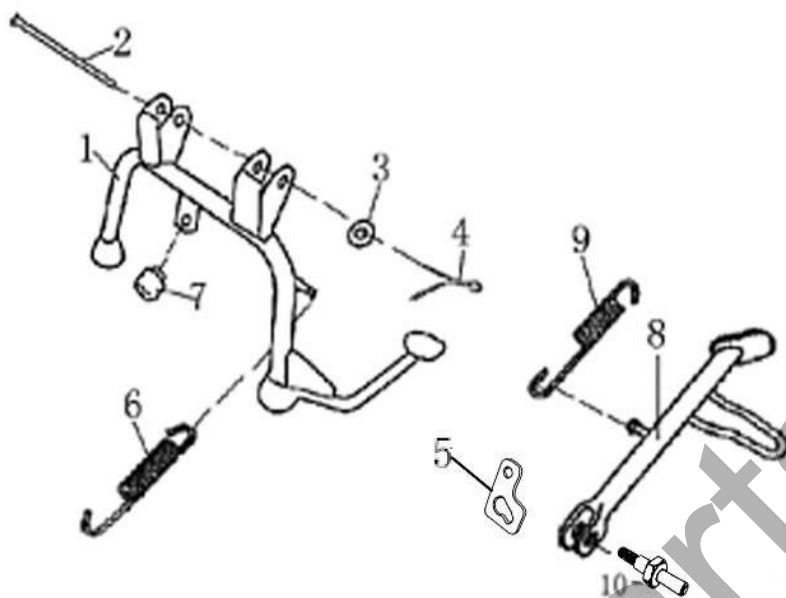


NO.	Part NO.	New NO.	Old NO.	Description
1	1030201-6	[706881]		Frame
2	1030303-5	[706882]		Engine Mount
3	9050610070-5	[706177]		Flange Bolt, M10×70
4	9051610235-5	[706178]		Bolt, M10×235
5	9080710001-5	[706122]	700097	Flange Lock Nut, M10
6	1120301-1	[700797]	700797	Cushioning Rubber, Engine Mount, circle
7				Statutory Inscription Plate
8	9011032009	[700220]	700220	Rivet, Statutory Inscription Plate
9	8011806012-5	[706141]		Screw, M6×12
10	1030207-1	[701099]	701099	Holder, Seat Lock
11	9050606012-5	[706104]		Flange Bolt, M6×12
12	9070506001-5	[706101]		Flange Nut, M6
13	1030218-3	[706036]		Bracket, Horn
14	9050606050-5	[706109]		Flange Bolt, M6×50
15	1030231-1	[701101]	701101	Left Footrest Comp.
16	1030231-2	[701102]	701102	Right Footrest Comp.
17	1010230-1	[701103]	701103	L. Iron Decorating Cover, Frame
18	1010230-2	[701104]	701104	R. Iron Decorating Cover, Frame

图18

主支架/1

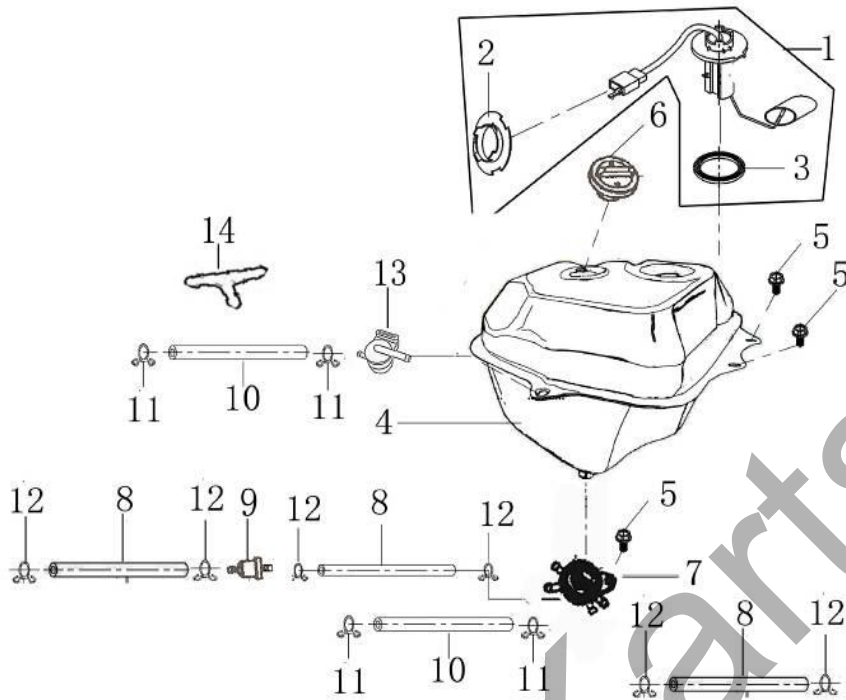
Draft 18



NO.	Part NO.	New NO.	Old NO.	Description
1	1030305-7	706883		Main Stand Assy
2	8011408175-5	[706164		Main Stand Axle, $\phi 8 \times 175$
3	9181308016-5	[706156		Plain Washer, $\phi 8 \times \phi 16$
4	9140325030-5	[706166		Clip Pin, 2.5 \times 30
5	1030119	[700924	700924	Sliding of auto return
6	1110402-1	[701848		Spring, Main Stand($\phi 2.5 \times 90\text{mm}$)
7	1120403-1	[700456	700456	Retainer Rubber, Main Stand
8	1030206-1	[701110		Side Stand Assy(220mm)
9	1110103-1	[701876	701463	Spring, Side Stand
10	8011608018-1	[700803	700803	Bolt, Side Stand M8 (18 \times 12 \times 18)

图19
Draft 19

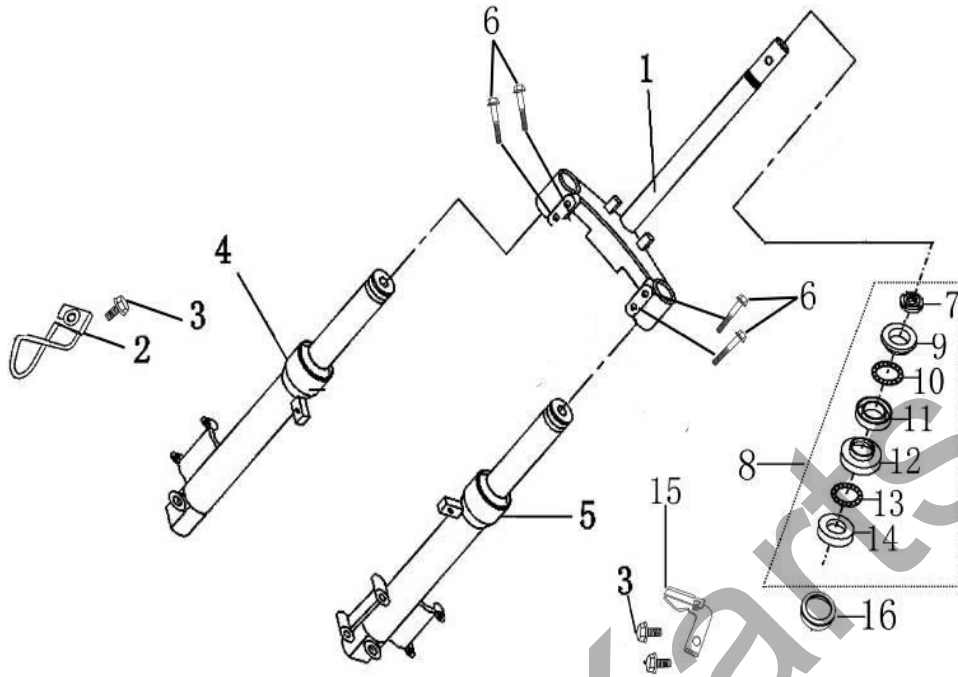
燃油箱



NO.	Part NO.	New NO.	Old NO.	Description
1	1170204-1	[701113	701113	Fuel Level Sensor Comp.
2	2170104-1	[701840	700462	Block Cap, Sensor
3	2170104-2	[701839	700461	Oil Seal Gasket for Sensor
4	1170201-1	[701116	701116	Fuel Tank Assy(with carbon tank)
4	1170201-2	[701326	701326	Fuel Tank Assy(without carbon tank)
5	9050606012-5	[706104		Flange Bolt, M6×12
6	1170209-1	[701864	701469	Cap Assy, Fuel Tank(without hole)
6	1170109-1	[701865	701541	Cap Assy, Fuel Tank(with hole)
7	1170405-1	[700594	700456	Fuel Valve Assy, (Automatic imbibition, Trident)
8	1170406-1	[700466	700466	Fuel Tube $\phi 10 \times \phi 5$
9	1170407-1	[700467	700467	Fuel Filter
10	1170406-2	[700469	700469	Vacuum Air Tube $\phi 7 \times \phi 4$
11	1170408-1	[700308	700308	Clip, $\phi 10(1mm)$
12	1170408-2	[700470	700470	Clip, $\phi 7(1mm)$
13	1170402-1	[700545	700545	Fuel Stop valve
14	1170812	[701787		T Pipe

图20
Draft 20

方向柱/前

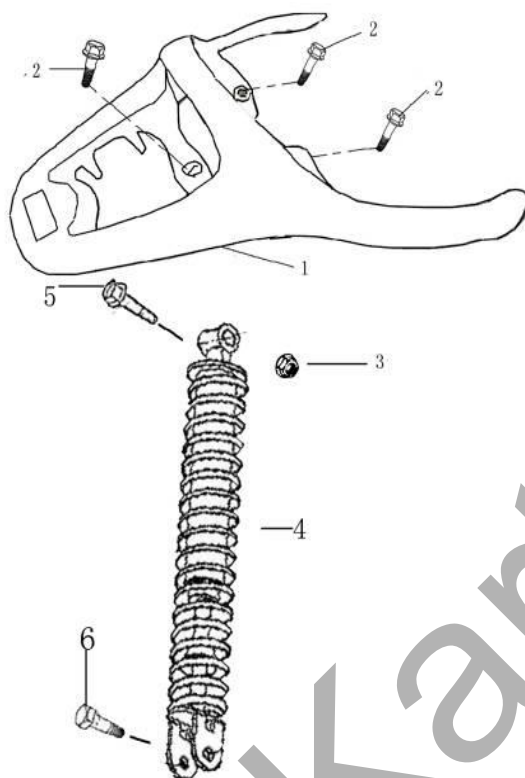


NO.	Part NO.	New NO.	Old NO.	Description
1	1030202-1	[701141	701141	Lower Bridge Assy, Steer Stem
2	1090406	[700598	700488	Clamp, speedmeter cable
3	9050606012-5	[706104		Flange Bolt, M6×12
4	1090301-1	[700814	700814	L. Front Shock Absorber
5	1090302-1	[700815	700815	R. Front Shock Absorber
6	9050608045-5	[706117		Flange Bolt, M8×45
7			700476	Nut, Stem lock, M25×1
8	1090203	[700567		Steel Ball Bowl Assy
9			700478	Race, steering outer, upper
10			700479	ball upper
11			700480	Race, steering outer, upper
12			700481	Race, steering outer, lower
13			700482	Ball lower
14			700483	Race, steering outer, lower
15	1090305	[700822	700822	Clamp, fuel tube
16	2090203-1	[701177		dustproof cover

图21

后货架

Draft 21

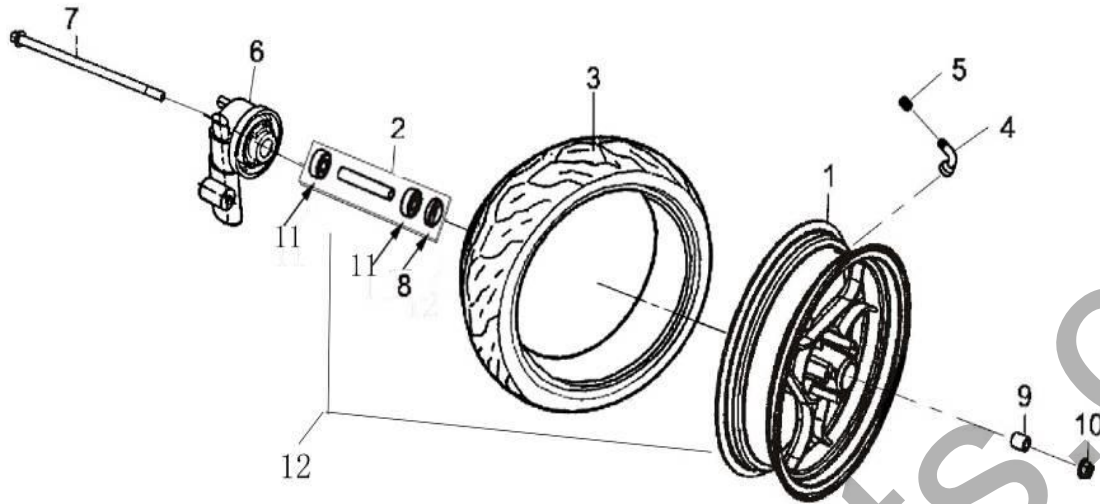


NO.	Part NO.	New NO.	Old NO.	Description
1	1020213 (07)	[701879	701118	REAR Baggage Rack
1A	1020213 (86)	[703026		REAR Baggage Rack
3	9080710001-5	[706122		Flange Lock Nut, M10
4	1100404-1 (86)	[700599	700489	Rear Shock Absorber Assy (307mm-φ7.5)
5	9050610040-5	[706124		Flange Bolt, M10×40
6	9030908032-2	[703845	703845	Hex Bolt, M8×32

图22

前轮

Draft 22

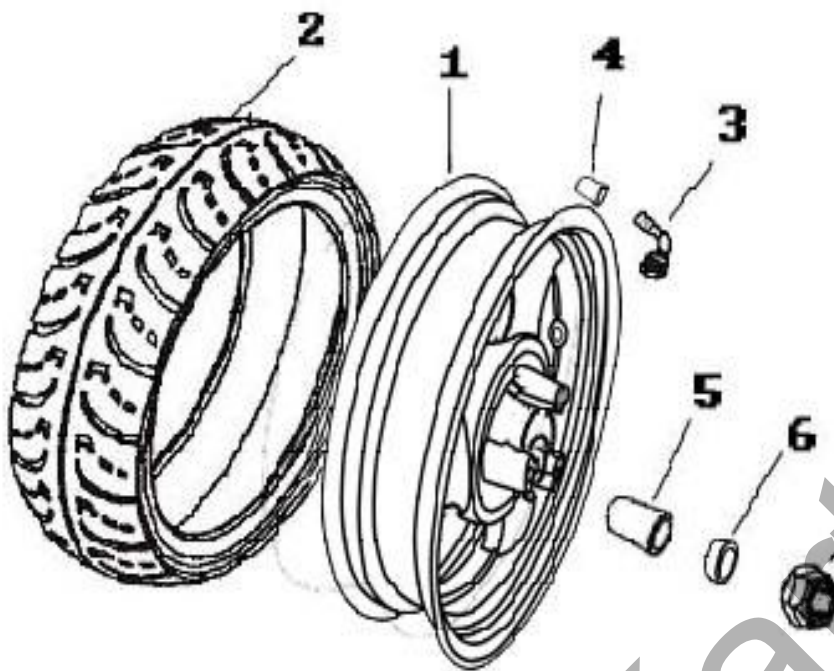


NO.	Part NO.	New NO.	Old NO.	Description
1	1040201-1(128)	[701120	701120	Rim, Front Wheel
2	2040102-2	[701859	701121	Bush (φ 13 × φ 18 × 85mm)
3	1040502-5	[701122	701122	Tyre, Front Wheel 130/70-12
4	1040501-1	[701818	701818	Tubeless Valve
5	2040501-1	[700831	700831	Cap, Tubeless Valve
6	1090208-1	[701882	701123	Count Gear Bo×, Odometer
7	9051612250-5	[706150		Bolt, M12 × 250
8	2040102-6	[703849	701124	Oil Seal, 20-32-5
9	2090308-2	[706162		Bushing φ 12 × φ 20 × 18
10	9080712001-5	[706127		Flange Lock Nut, M12
11	2040102-3	[700211	700211	Bearing 6201-2RS
12	2040006	[701179	701179	Front Wheel Assy (includel, 2, 3, 4, 5)

图23

后轮

Draft 23

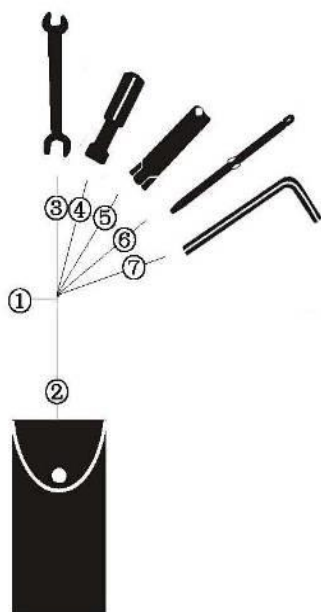


NO.	Part NO.	New NO.	Old NO.	Description
1	1040302-6(128)	[706884]		Rim, Rear Wheel 3.50-12
2	1040502-4	[700977]	700829	Tyre, Rear Wheel 120/70-12, CST
3	1040501-1	[701818]	700494	Tubeless Valve
4	2040501-1	[700831]	700831	Cap, Tubeless Valve
5	2100305-1	[700836]	700836	Bushing, $\phi 17 \times \phi 25 \times 40$
6	2100105-6	[701858]	700837	Bush, $\phi 17 \times \phi 25 \times 5$
7	9191816001-5	[706128]		Lock Nut, M16
8	2040202-4	[706885]		Rear Wheel Assy (1, 2, 3, 4)

图24

随车工具

Draft 24

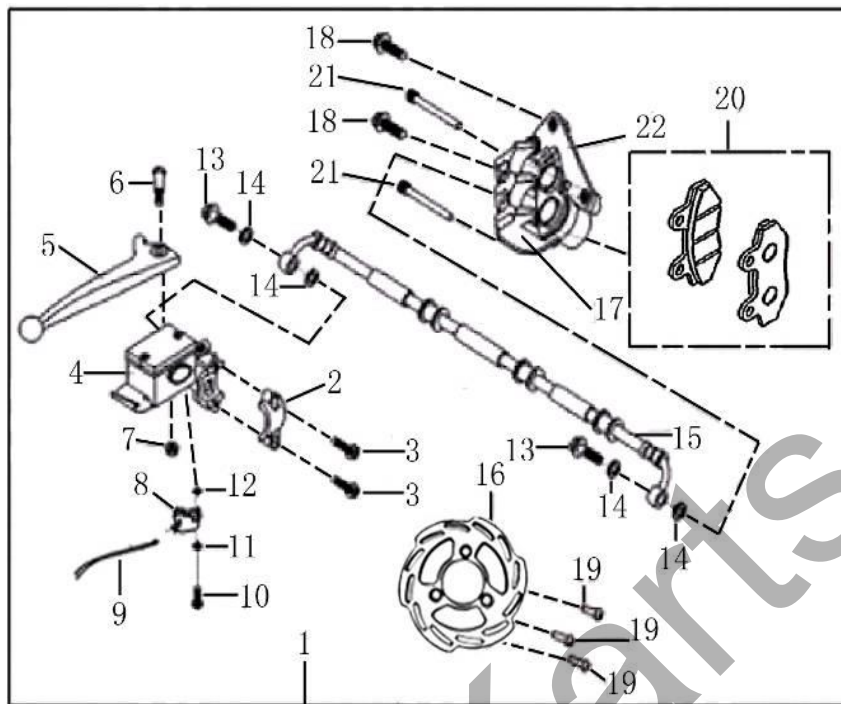


NO.	Part NO.	New NO.	Old NO.	Description
1	1210008-2	[701823		Tools Assy(4stroke)
2				Tools Bag
3				Double Ended Spanner 10-12
4				Screw Driver Socket
5				Spark Plug Socket
6				Double Ended Screw Driver
7				Inner Hex Spanner
8				Manual

图25

前液压制

Draft 25

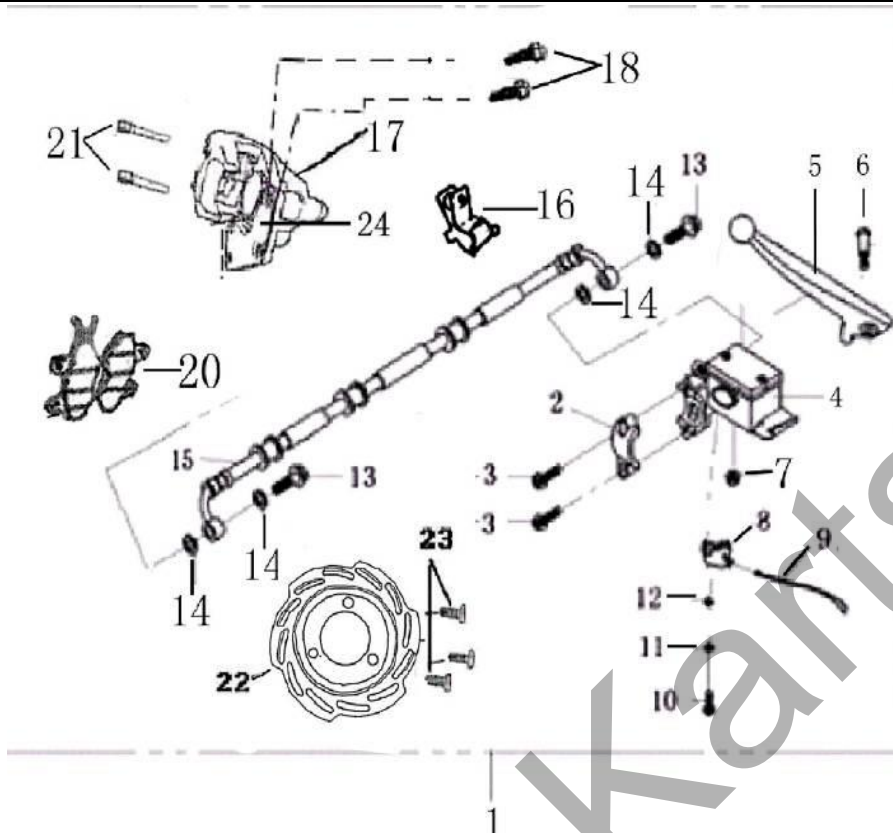


NO.	Part NO.	New NO.	Old NO.	Description
1	1090204-2	[701924	701130	Front Hydraulic Brake System(Double Pump)
1A	1090204-2	[706643		Front Hydraulic Brake System(Double Pump)
2	2090404-15	[701826	701826	Cap, Front Hydraulic Cylinder
3	9040606022-1	[700272	700272	Bolt, M6×22
4	2090204-2	[701132	701132	Front Hydraulic Cylinder Comp
5	2090204-3	[701133	701133	Lever, Right Handle
6	9210906030-1	[700295	700295	Bolt, Brake Lever, M6×30
7	9191806001-1	[700263	700263	Hex Lock Nut, M6
8	2090204-7	[701135	701135	Switch, Front Brake
9	2090404-13	[701825	701136	Wire Cable, Front Brake Switch
10	9101504012-3	[700280	700280	Screw, M4×12
11	9161304008-3	[700031	700031	Plain Washer, $\phi 4 \times \phi 8$
12	9150204001-3	[700013	700013	Spring Washer, $\phi 4$
13	2090404-10	[700844	700844	Connect Bolt, Hose, Front Brake
14	2090404-9	[700845	700845	Copper Washer
15	2090204-5	[701139	701139	Hydraulic Hose, Front Brake
16	1090207-1	[701884	700847	Brake Disc. Assy, Front Wheel, red
16A	1090207-1	[706644		Brake Disc. Assy, Front Wheel
17	2090204-1	[701977	700848	Caliper Comp, Front Brake(Double Pump)
17A	2090204-1	[706645		Caliper Comp, Front Brake(Double Pump)
18	9050608035-5	[706115		Flange Bolt, M8×35
19	9021108025-4	[703844	700253	Inner Hex Bolt, M8×25
20	2090104-1	[701862	700850	Brake Plate Assy
20A	2090104-6	[703070		Brake Plate Assy
21	2090104-8	[701863	700851	Bolt, Brake Plate Assy, Front Brake
22	2090304-5	[700930	700930	bracket, Caliper Comp, front Brake(Double Pump)
22A	2090304-6	[703069		bracket, Caliper Comp, front Brake(double pump)

图26

后液压制

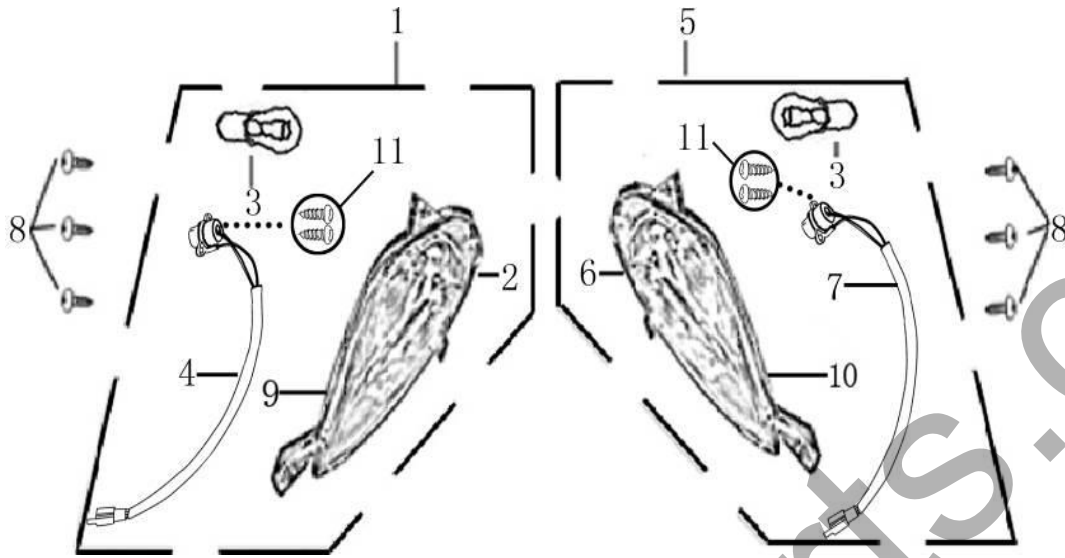
Draft 26



NO.	Part NO.	New NO.	Old NO.	Description
1	1100206-4	706886		Front Hydraulic Brake System(Double Pump)
2	2090404-15	[701826	700839	Cap, Front Hydraulic Cylinder
3	9040606022-1	[700272	700272	Bolt, M6×22
4	2100206-8	[701885	701220	Front Hydraulic Cylinder Comp
5	2100206-6	[701886	701221	Lever, Right Handle
6	9210906030-1	[700295	700295	Bolt, Brake Lever
7	9191806001-1	[700263	700263	Hex Lock Nut, M6
8	2090104-7	[700857	700857	Switch, Rear Brake
9	2090404-13	[701825	700858	Wire Cable, Rear Brake Switch
10	9101504012-3	[700280		Screw, M4×12
11	9161304008-3	[700031	700031	Plain Washer, $\phi 4 \times \phi 8$
12	9150204001-3	[700013	700013	Spring Washer, $\phi 4$
13	2090404-10	[700844	700844	Connect Bolt, Hose, Front Brake
14	2090404-9	[700845	700845	Copper Washer
15	2100206-11	706887		Hydraulic Hose, Rear Brake(2100mm)
16	1090105	[701348		Drill tubing clip
17	2100206-3	[701328	701301	Caliper Comp, Rear Brake(Double Pump)
17A	2100206-3	[706647		Caliper Comp, Rear Brake(Double Pump)
18	9050608012-5	[706112		Flange Bolt, M8×12
20	2100106-1	[701906	700850	Brake Plate Assy
20A	2090104-1	[701862	700850	Brake Plate Assy
21	2090104-8	[701863	700851	Bolt, Brake Plate Assy, Rear Brake
22	1100207-1	[701270	701232	Brake Disc. Assy, Rear Wheel, ($\phi 180 \times 4\text{mm}$)
22A	1100207-1	[706656		Brake Disc. Assy, Rear Wheel, ($\phi 180 \times 4\text{mm}$)
23	9021108025-4	[703844	700253	Inner Hex Bolt, M8×25
24	2100306-5	[701907	700932	bracket, Caliper Comp, Rear Brake(Double Pump)
24A	2100306-6	[703071		bracket, Caliper Comp, Rear Brake(Double Pump)

图27

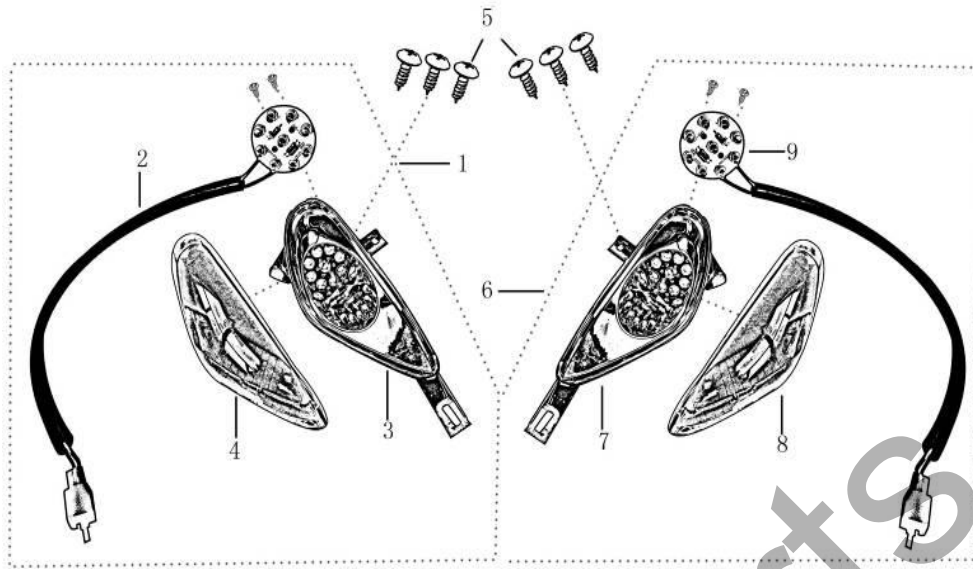
Draft 27



NO.	Part NO.	New NO.	Old NO.	Description
1	1010216-1	[701163	701163	L. Front Turning Light Assy(11 E3 50R 001056)
2	2010216-2	[701164	701164	L. Front Turning Light Cover
3	2010416-1	[702907	700362	Bulb (12V RY10W)
4	2010216-3	[701165	701165	L. Front Turning Light Wire Cable
5	1010217-1	[701166	701166	R. Front Turning Light Assy(11 E3 50R 001056)
6	2010217-2	[701167	701167	R. Front Turning Light Cover
7	2010217-3	[701168	701168	R. Front Turning Light Wire Cable
8	9111742012-5	[706131		Screw, Tapping ST4.2×12
9	2010216-1	[701913		Holder, L. Front Turning Light
10	2010217-1	[701914		Holder, L. Front Turning Light
11	9111738008-4	[703709		Screw, Tapping ST3.8×8

图27

Draft 27



NO.	Part NO.	New NO.	Old NO.	Description
1	1010216-3	[706346		L. Front Turning Light Assy(LED)
2	2010216-8	[706347		LED Light(Front L.Turning Light)
3	2010216-9	[706348		Holder, L. Front Turning Light
4	2010216-10	[706349		L. Front Turning Light Cover
5	9111742012-5	[706131		Screw, Tapping ST4.2×12
6	1010217-3	[706350		R. Front Turning Light Assy(LED)
7	2010217-5	[706351		Holder, R. Front Turning Light
8	2010217-6	[706352		R. Front Turning Light Cover
9	2010217-7	[706353		LED Light(Front R.Turning Light)



Company Brief

浙江永源摩托车制造有限公司

Zhejiang Jonway Motorcycle Manufacturing Co., Ltd.

地址: 318050 浙江省台州市路桥区路南后阮村

Address: 318050 Houruan Village, Luqiao District, Taizhou City,
Zhejiang Province, China

网址/Website: www.jonway.com

邮箱/E-mail: GROUP@jonway.com

电话/TEL: 0086-576-82555888

传真/FAX: 0086-576-82555888

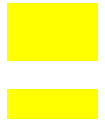
FamilyGokarts.com

FamilyGokarts.com

FamilyGokarts.com

FamilyGokarts.com

FamilyGokarts.com



FamilyGokarts.com

FamilyGokarts.com

FamilyGokarts.com

FamilyGokarts.com

FamilyGokarts.com

FamilyGokarts.com

FamilyGokarts.com

FamilyGokarts.com

FamilyGokarts.com

FamilyGokarts.com