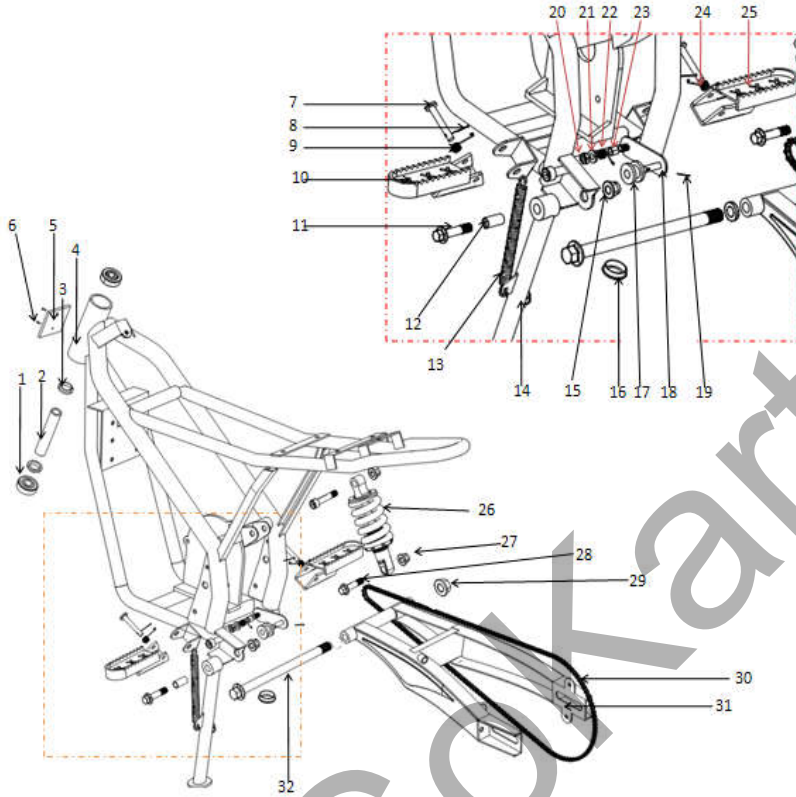


DB-10 (500 Watt)



E-MD04 spare part list (A- FRAME)

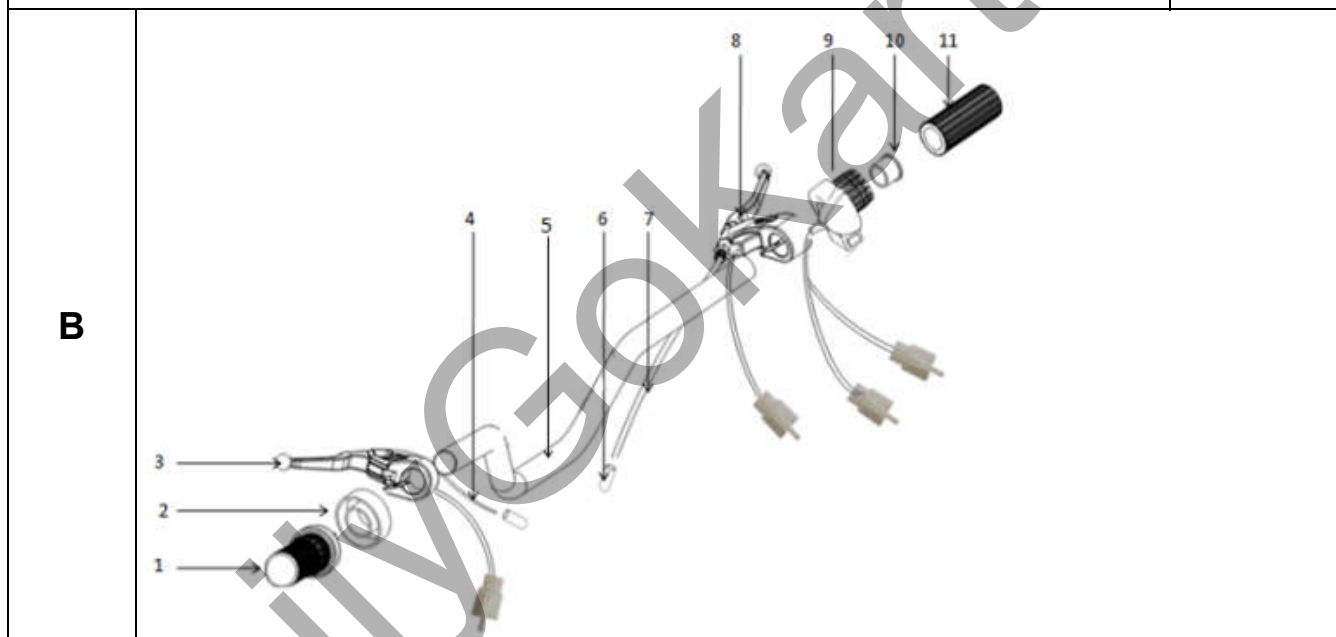
A



SERIAL NO.	名称	PART NAME	Specification	Qty.	Amount
A01	龙头管轴承	Bearing	6200RS		
A02	龙头管隔套	spacer	Φ14XΦ11X83		
A03	龙头管隔套橡胶垫	rubber washer	Φ28XΦ14X5		
A04	主车架	main frame			
A05	车架CE铭牌	CE plate			
A06	铆钉	rivet			
A07	脚踏销轴	footrest pin	Φ8X35		
A08	开口销	footrest pin clip	2X25		
A09	脚踏左扭簧	footrest spring,left			
A10	左脚踏	footrest,left			
A11	法兰螺栓	bolt for side stand	M10X35X1.25		
A12	脚撑隔套	spacer for side stand	Φ16XΦ10.2X20		
A13	脚撑拉簧	spring for side stand	Φ13.5XΦ1.8X80		
A14	脚撑	side stand			
A15	防松螺母	lock nut	M10X1.25		
A16	车架底部橡胶塞	rubber plug	Φ22		
A17	导链轮	chain tensioner			

A18	导链轮支架	chain tensioner holder			
A19	导链轮开口销	chain tensioner pin clip	2X25		
A20	防松螺母	lock nut	M8		
A21	平垫	flat washer	Φ8X16X1.5		
A22	导链轮扭簧	chain tensioner spring			
A23	隔套	spacer	8x12		
A24	右脚踏扭簧	footrest spring,right			
A25	右脚踏	footrest,right			
A26	后减震	rear shock absorber	Φ9X140mm		
A27	防松螺母	lock nut	M8		
A28	法兰螺丝	bolt	M8X40		
A29	自锁螺母	self-lock nut	M10		
A30	链条	chain	25H176 links		
A31	后叉	rear swing arm			
A32	法兰螺栓(后叉中轴)	flange bolt (swing arm axle)	M10×180		

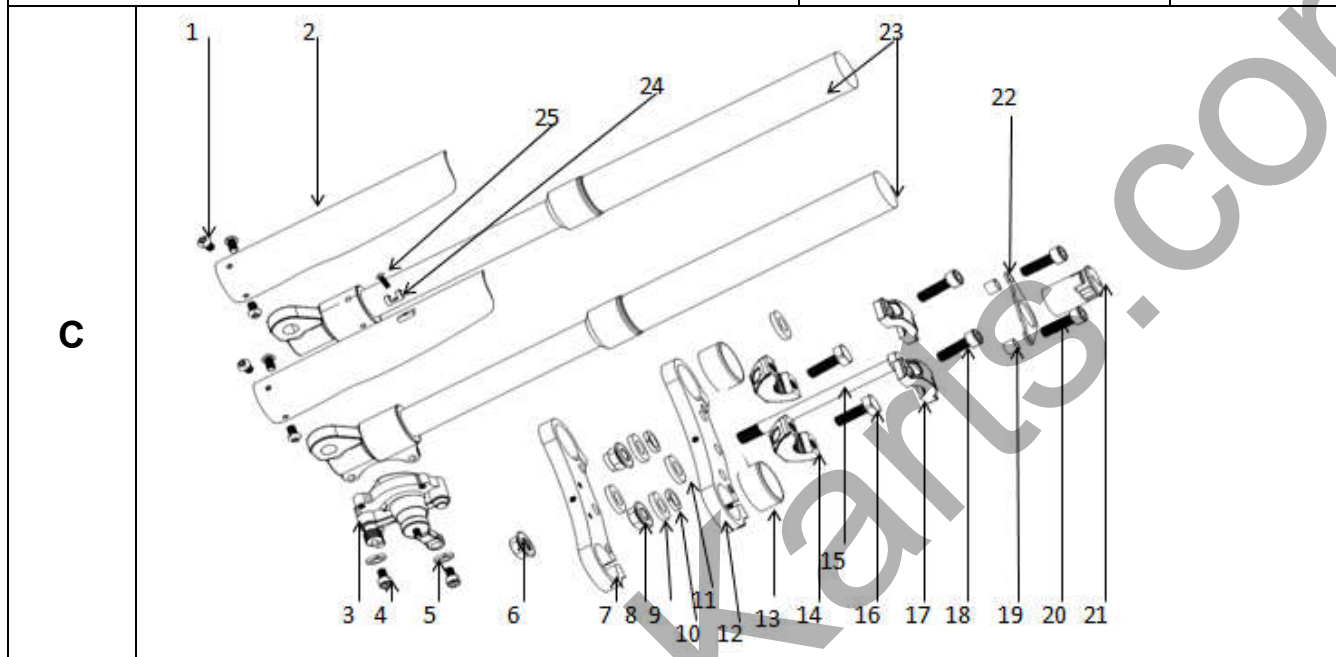
E-MD04 spare part list (B- HANDLEBAR)



SERIAL NO.	名称	PART NAME	Specification	Qty.	Amount
B01	左握把皮套	left rubber grip			
B02	左把套中间柱	left rubber grip holder			
B03	左刹把	left brake lever			
B04	后刹车线	rear brake cable	1100X1250mm		
B05	手把管	handlebar			
B06	刹车线帽	brake cable end cap			
B07	前刹车线	front brake cable	850X1000mm		
B08	右刹把	right brake lever			

B09/10/11	半截式转把总成, 含24V电量显示和安全熄火开关, 活动节和右握把皮套	throttle ASSY.with electric volume meter 24V and saftey switch ON/OFF,spacer and right rubber grip			
	活动节	spacer			
	右握把皮套	right rubber grip			

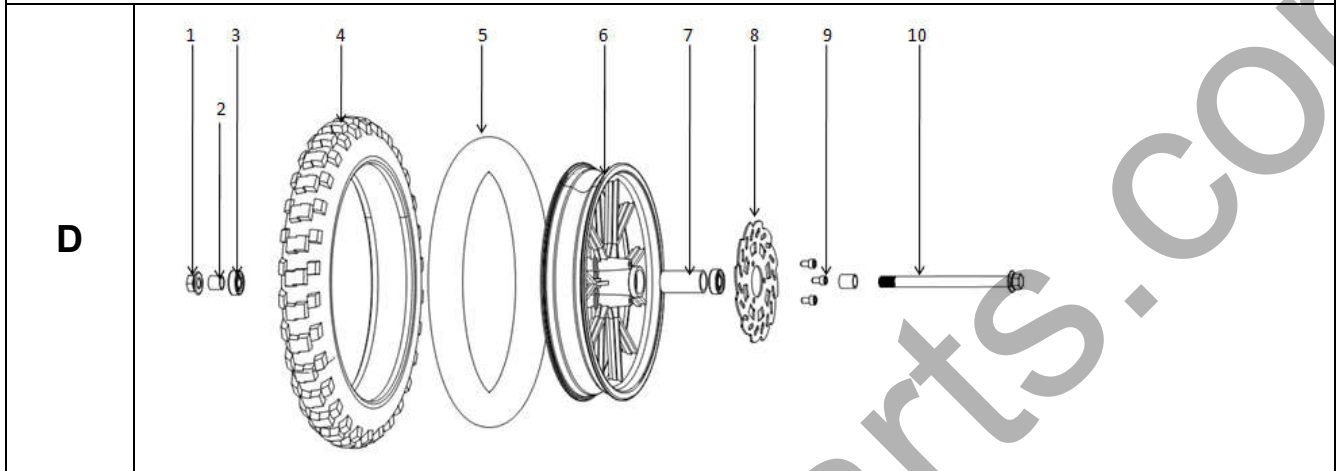
E-MD04 spare part list (C- FRONT FORK)



SERIAL NO.	名称	PART NAME	Specification	Qty.	Amount
C02	前叉护板, 白色	fork foot cover, L&R			
C03	前碟刹器	Front brake caliper			
C07	下连板	Down splintage			
C08	防松螺母	lock nut	M10X1.5		
C12	上连板	upper splintage			
C13	前叉塑件盖	fork cap			
C14	手把下锁扣 (2只为1套)	handlebar holder, pair			
C15	外六角螺栓 (龙头管轴杆)	hex socket cap bolt	M10X1.5X140		
C16	外六角螺丝	hex socket cap bolt	M10X35X1.5		
C17	手把上锁扣 (2只为1套)	Handlebar upper clamp, pair			
C18	内六角螺丝	hex socket cap bolt	M8X25		
C21	电门锁总成(含钥匙)	key swith assy.			
C22	电门锁固定片	key swith holder plate			
C23	前叉, 左右为1套	fork, L & R	525mm		
C01	十字圆头螺丝	Philip's head screw	M5X16		
C04	内六角螺丝	hex socket cap bolt	M6X25		
C05	弹垫	spring washer	Φ6		
C06	防松螺母	lock nut	M10X1.5		
C09	平垫	washer	Φ10X20X1.5		
C10	弹垫	spring washer	Φ10		

C11	平垫	washer	Φ10X20X1.5		
C19	隔套	spacer	Φ11*Φ8*9		
C20	内六角螺丝	hex socket cap bolt	M8X30		
C24	前刹线线扣	brake cable holder			
C25	十字沉头自攻钉	Philip's head screw	M4X10		

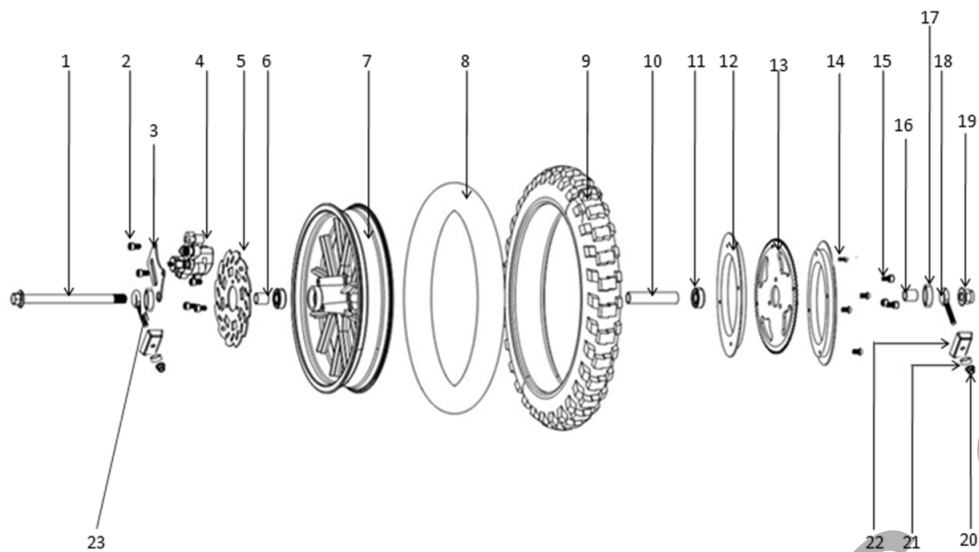
E-MD04 spare part list (D- FRONT WHEEL)



SERIAL NO.	名称	PART NAME	Specification	Qty.	Amount
D01	自锁螺母	self-lock nut	M12×1.25		
D02	隔套	wheel spacer L&R	φ16×1.5×13, pair		
D03	轴承	Bearing	6001RS		
D04	外胎	Tire 2.5-10"	2.50-10"		
D05	内胎	Tube			
D06	前轮轮毂, 黑色车亮边	front wheel rim	10"		
D07	前轮中间隔套	Middle spacer of front wheel	φ16×1.5×76		
D08	前碟刹盘	Brake disc	140×2		
D09	内六角螺丝	hex socket cap bolt	M6×12		
D10	法兰螺杆 (前轮轴)	front wheel axle	M12×1.25×160		

E-MD04 spare part list (E- REAR WHEEL)

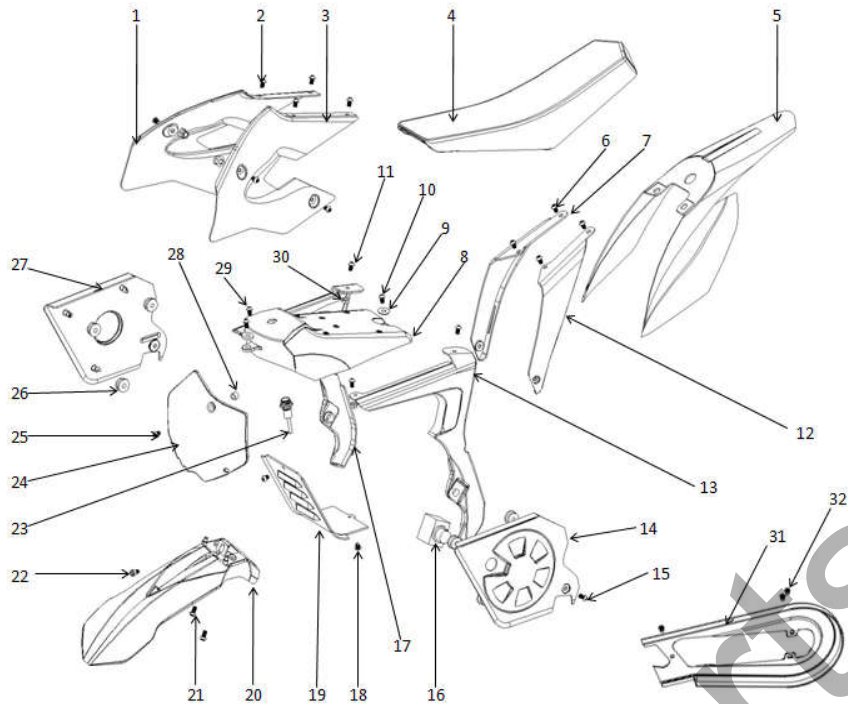
E



SERIAL NO.	名称	PART NAME	Specification	Qty.	Amount
E01	法兰螺杆 (后轮轴)	rear wheel axel	M12×145		
E02	内六角螺丝	hex socket cap bolt	M6X12		
E03	后碟刹器固定片	rear brake caliper holder			
E04	后碟刹器	rear brake caliper			
E05	后碟刹盘	rear brake disc			
E06	后轮左边隔套	wheel spacer,L	Φ16XΦ13X11		
E07	后轮轮毂, 黑色车亮边	rear wheel rim	10"		
E08	内胎	tube			
E09	外胎	tire 2.50-10	2.50-10"		
E10	后轮中间隔套	middle spacer of rear wheel	Φ16XΦ13X81		
E11	轴承	rear wheel bearing	6001RS		
E12	链轮护罩套装 (两片为1套)	Sprocket cover(set)	L&R,Pair		
E13	链轮	rear sprocket	25H 90 Teeth		
E14	十字沉头螺丝	Philip's head screw	M5X16		
E15	内六角螺丝	hex socket cap bolt	M6X12		
E16	后轮右边隔套	rear wheel spacer,R	Φ16XΦ13X5		
E17	平垫		Φ12X24X1.5		
E18	千斤	chain adjuster	Φ12X6X60		
E19	自锁螺母	self-lock nut	M12*1.25		
E20	自锁螺母	self-lock nut	M6		
E21	弹垫		Φ6		
E22	千斤盖	chain adjuster cover			
E23	平垫		Φ12X24X3		

E-MD04 spare part list (F- PLASTIC PARTS)

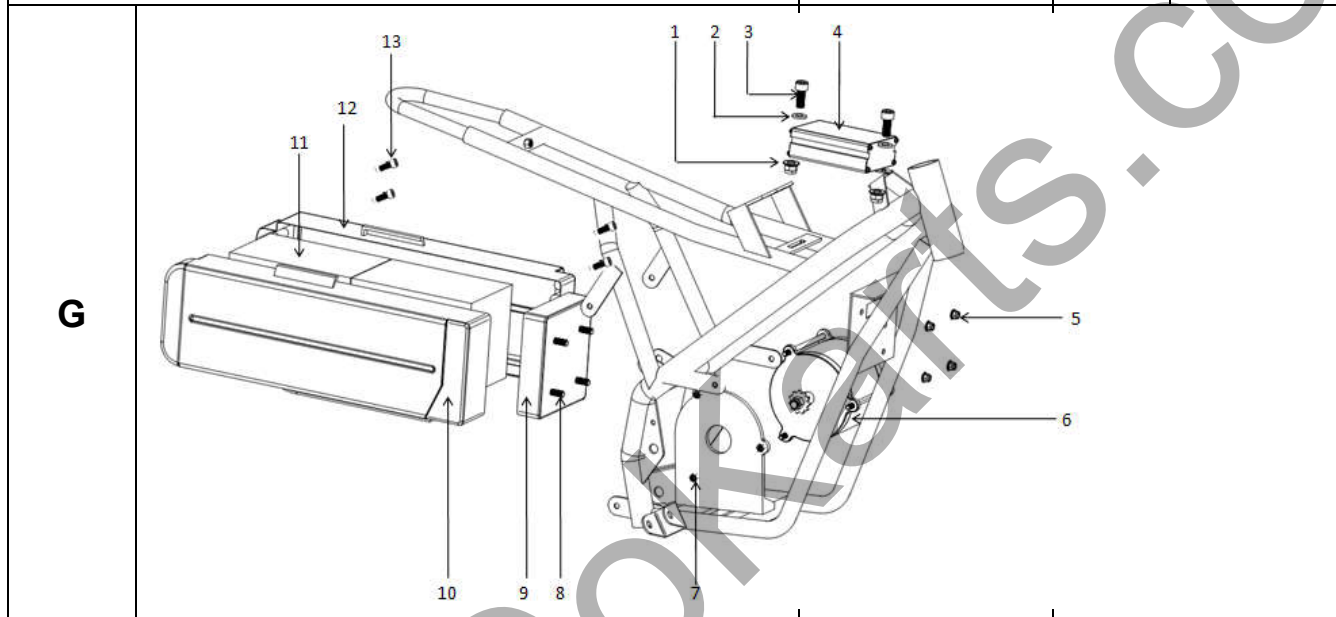
F



SERIAL NO.	名称	PART NAME	Specification	Qty.	Amount
F01	塑料件前右侧板, 白色	front plastic cover R	P.P		
F03	塑料件前左侧板, 白色	front plastic cover L	P.P		
F04	座垫, 黑色	seat			
F05	塑料件尾段, 白色	tail plastic cover	P.P		
F08	假油壶	fuel tank	P.P		
F07	后右塑件, 黑色	rear plastic cover R	P.P		
F12	后左塑件, 黑色	rear plastic cover R	P.P		
F13	右7字形大板塑料件	frame cover R	ABS		
F17	左7字形大板塑料件	frame cover L	ABS		
F14	电机左侧板	motor cover L	P.P		
F27	电机右侧板	motor cover R	P.P		
F19	电机中间护板	motor cover BOTTOM	P.P		
F20	前挡泥板	front mudguard	P.P		
F24	号码牌	number plate	P.P		
F31	链罩	chain cover	ABS		
F16	3速开关 (含钥匙)	3 speed switch with key,complete kit			
F23	充电口和金属盖	charging port with cap			
F02	十字沉头	Philip's head screw	M6X12		
F06	内六角大扁头	hex socket cap bolt	M6X16		
F09	防滑螺母	non-slip nut	M6		
F10	内六角大扁头	hex socket cap bolt	M6X16		
F11	内六角大扁头	hex socket cap bolt	M6X16		
F15	内六角小扁头	hex socket cap bolt	M6X16		
F18	内六角大扁头	hex socket cap bolt	M6X16		

F21	大扁头内六角螺栓	hex socket cap bolt	M6X16		
F22	大扁头内六角螺栓	hex socket cap bolt	M6X12		
F25	内六角螺栓	hex socket cap bolt	M6X25		
F26	电机侧板固定胶垫	rubber washer			
F28	号码牌隔套	spacer	Φ8*Φ6*16		
F29	内六角小扁头	hex socket cap bolt	M6X12		
F30	防滑螺母	non-slip nut	M6		
F32	内六角扁头螺丝	hex socket cap bolt	M6X8		

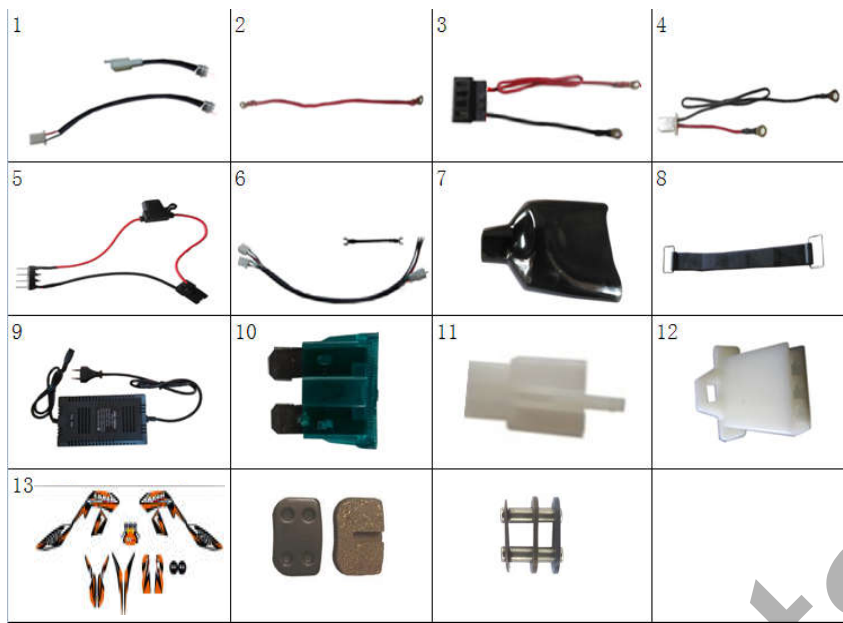
E-MD04 spare part list (G- ELECTRIC PARTS)



SERIAL NO.	名称	PART NAME	Specification	Qty.	Amount
24V-G04	小越野控制器500W24V	controller	500W24V		
24V-G06	电机(电机链轮25H11齿)	motor with sprocket 25H11T	24V500W		
G09	电池盒底座	battery box seat			
G10	电池盒右	battery box, right	Complete battery box		
G11	电池盒左	battery box, left			
24V-G12	电池	a set of battery group 24V12A	2x12V12AH		
G01	防松螺母	lock nut	M5		
G02	平垫	washer	Φ6X16X1.5		
G03	内六角螺栓	hex socket cap bolt	M5X16		
G05	防松螺母	lock nut	M5		
G07	防松螺母	lock nut	M5		
G08	沉头螺丝	Philip's head screw	M5X12		
G13	十字圆头螺丝	Philip's head screw	M4X25		

E-MD04 spare part list (H- WIRINGS)

H



SERIAL NO.	名称	PART NAME	Specification	Qty.	Amount
H01	充电口（电池盒用）	charging port in battery box	wiring L=80mm		
H02	电池线	wiring 01	battery wiring L=310mm		
H03	电源插座组合线	wiring 02	power socket wiring		
H04	充电口连接线	wiring 03	wiring of charge port		
H05	保险盒连接线	wiring 04	fuse box wiring		
H06	三速开关线	wiring 05	wiring assy. for 3-speed		
H07	线束套	rubber sleeve for wiring	60X110mm		
H08	电池扣带	battery belt			
24V-H09	UL认证充电器	charger 24V	UL approved		
24V-H10	保险片	fuse	30A		
H11	两孔带勾插件	2 hole plug with hook	connect to charge port in battery box		
H12	三孔不带勾插件	3 hole plug without hook	connect to charge port in the motor cover		
H13	贴花	Graphics sticker kit			
H14	刹车摩擦片	brake pad (2pcs/set)			
H15	链条扣	chain connector	25H		