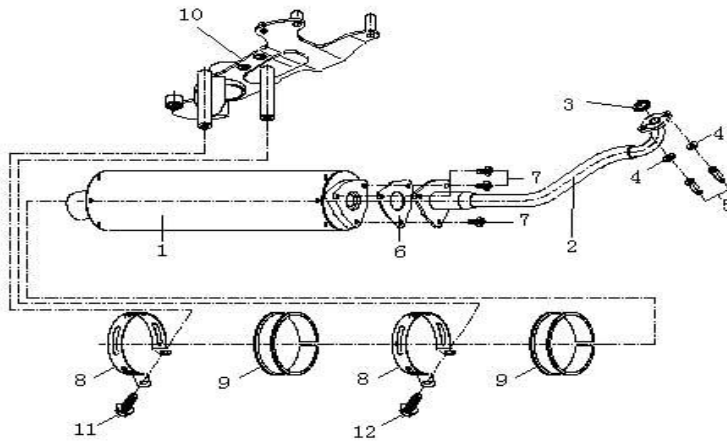


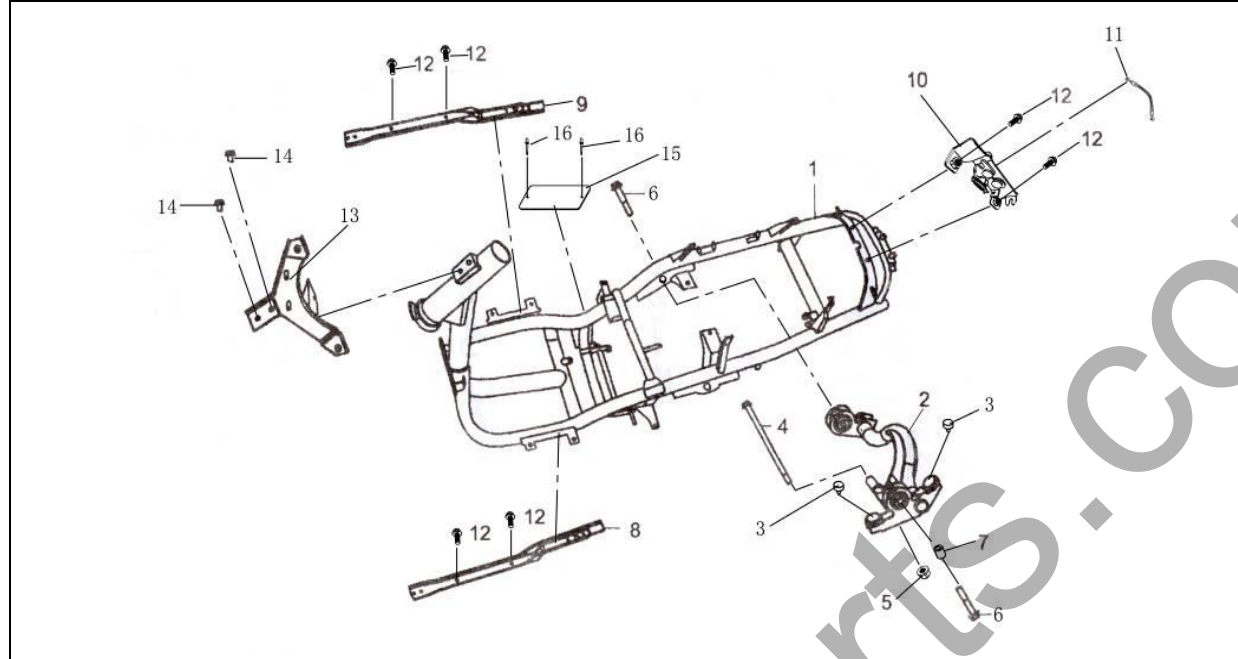
JONWAY 50QT-16A PARTS CATALOGUE

图 1	消声器	Model	YY125T-12
Draft 1	EXHAUST MUFFLE	Part No.	YYLY50001000



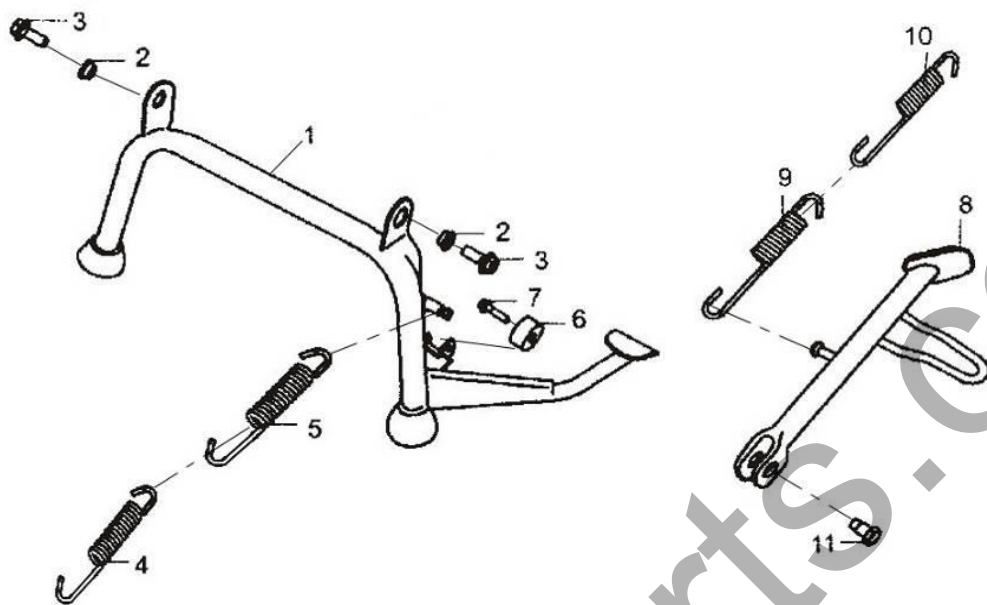
NO.	Part NO.	Description
1		Exhaust Muffler ASSY
1	YYLY50001001	Pipe, Exhaust Muffler
2	YYLY50001002	Front Tube, Exhaust Muffler
3	YYLY50001003	Washer, Exhaust Outlet
4	YYLY50001004	Washer
5	YYLY50001005	Cap Nut, M6*32
6	YYLY50001006	Asbestos Gasket, Muffler
7	GB/T5789-M8×16	Flange Bolt, M8×16
8	YYLY50001007	Fixing Ring, Muffler
9	YYLY50001008	Rubber Cushion Strip, Muffler Fixing Ring
10	YYLY50001009	Connecting Plate, Engine
11	GB/T5789-M8×50	Flange Bolt, M8×50
12	GB/T5789-M8×60	Flange Bolt, M8×60

图 2		车架		Model	JONWAY 150T-12A
Draft 2		FRAME		Part No.	YYLY50002000



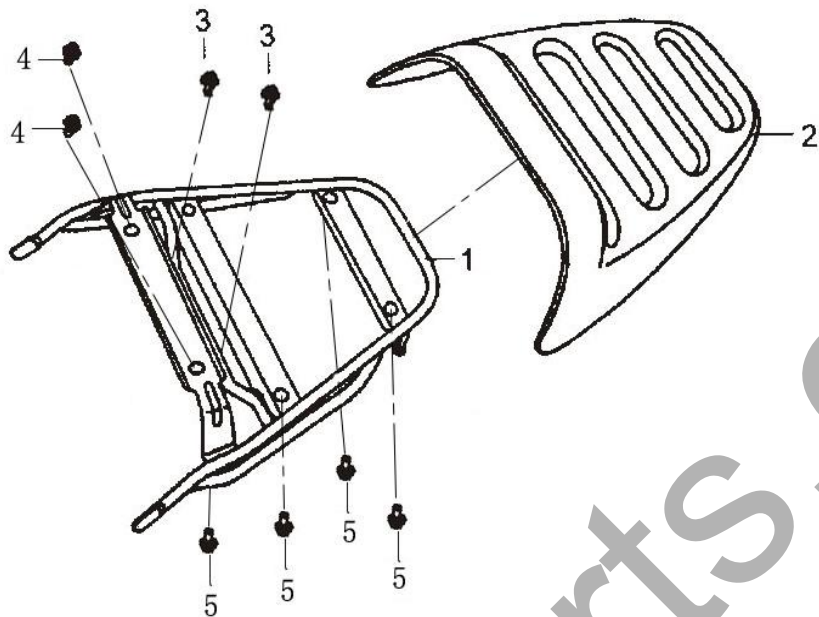
NO.	Part NO.	Description
1	YYLY50002001	Frame
2	YYLY50002002	Engine Mount
3	YYLY50002003	Cushioning Rubber, Engine Mount
4	YYLY50002004	Engine Mount Bolt, M10×1.25×280
5	GB/T6185.2-M10×1.25	Lock Nut, M10×1.25
6	GB/T5789-M10×1.25×55	Flange Bolt, M10×1.25×55
7	YYLY50002005	Collar, $\phi 11 \times \phi 18 \times 5.5$
8	YYLY50002006	L. Side Holder
9	YYLY50002007	R. Side Holder
10	YYLY50002008	Holder, Seat Lock
11	YYLY50002009	Cable, Seat Lock
12	GB/T5789-M6×16	Bolt, M6×16
13	YYLY50002010	Bracket, Horn
14	GB/T5789-M8×12	Bolt, M8×12
15	YYLY50002011	Statutory Inscription Plate
16	GB/T12615	Rivet, Statutory Inscription Plate

图 3	主支架/侧支架	Model	JONWAY 150T-12A
Draft 3	MAIN / SIDE STAN	Part No.	YYLY50003000



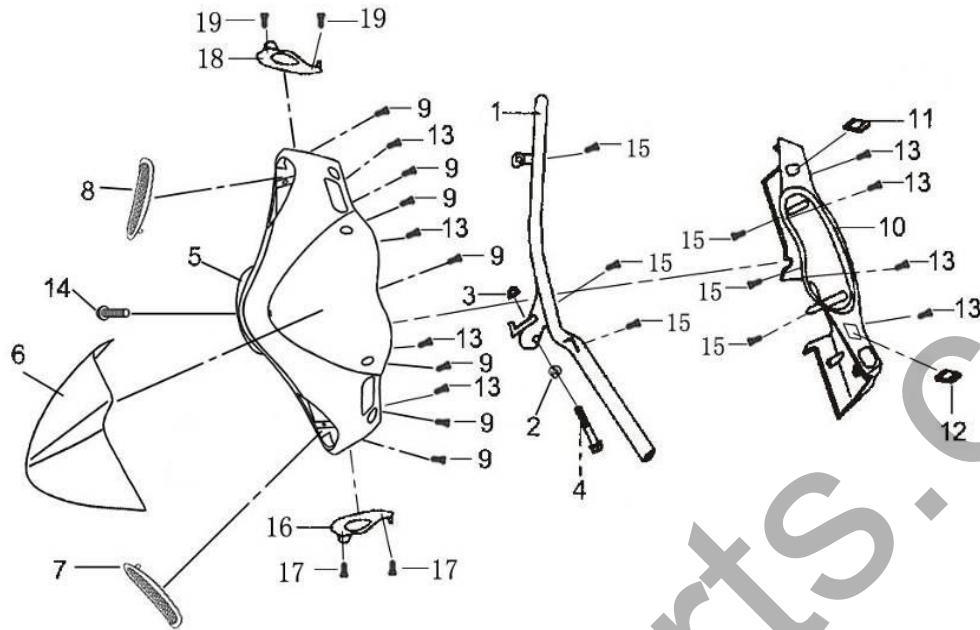
NO.	Part NO.	Description
1	YYLY50003001	Main Stand Assy
2	YYLY50003002	T-Collar, Main Stand
3	GB/T5789-M10×30	Flange Bolt, M10×30
4	YYLY50003003	Side Spring, Main Stand
5	YYLY50003004	Spring, Main Stand
6	YYLY50003005	Retainer Rubber, Main Stand
7	GB/T5789-M6×30	Flange Bolt, M6×30
8	YYLY50003006	Side Stand Assy
9	YYLY50003007	Spring, Side Stand
10	YYLY50003008	Side Spring, Side Stand
11	YYLY50003009	Bolt, Side Stand

图 4	后货架	Model	JONWAY 150T-12A
Draft 4	REAR BAGGAGE R	Part No.	YYLY50004000



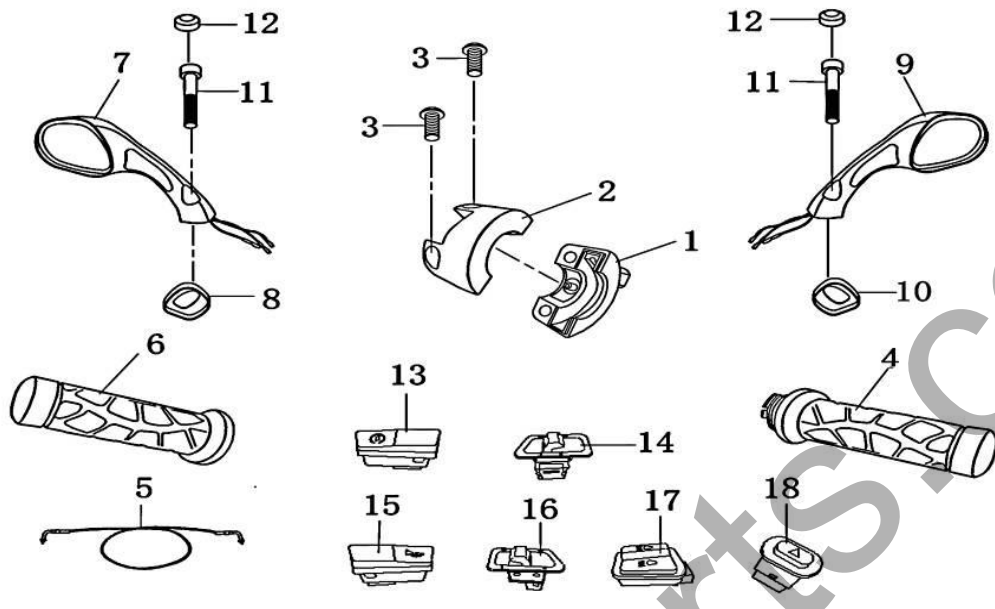
NO.	Part NO.	Description
1	YYLY50004001	Handle, Baggage Rack
2	YYLY50004002	Baggage Rack
3	GB/T5789-M8×12	Flange Bolt,M8×12
4	GB/T5789-M6×16	Flange Bolt,M6×16
5	GB/T5789-M6×12	Flange Bolt,M6×12

图 5	方向把/方向把罩	Model	JONWAY 150T-12A
Draft 5	HANDLE, METER	Part No.	YYLY50005000



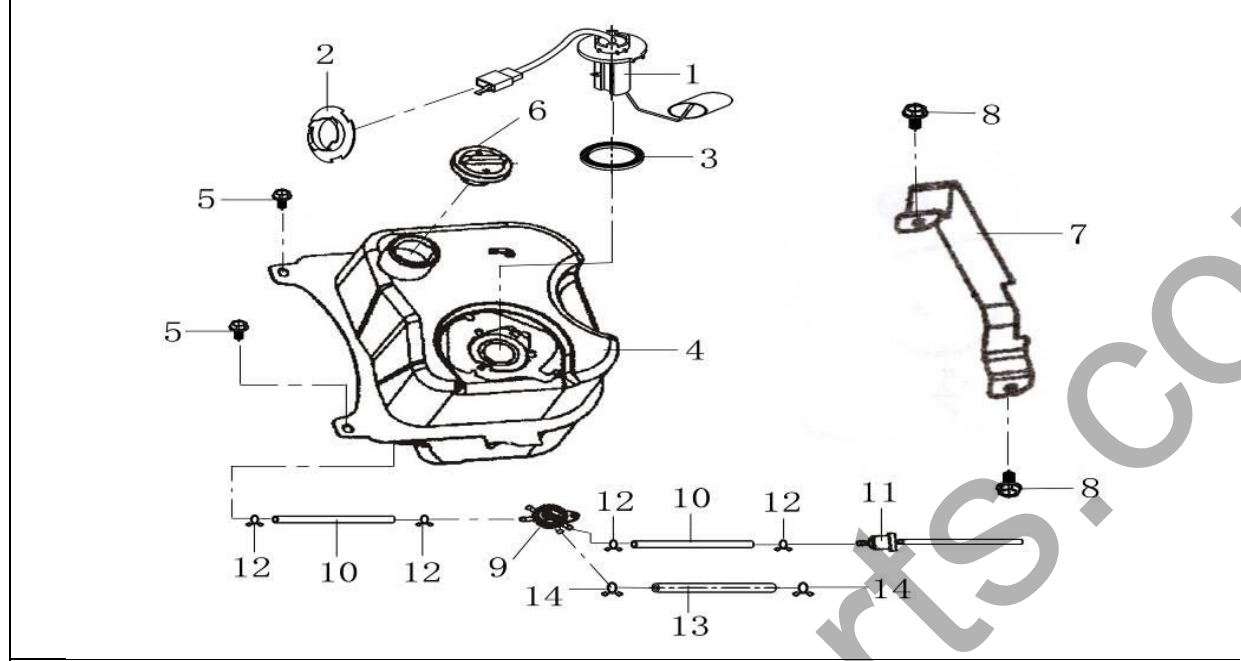
NO.	Part NO.	Description
1	YYLY50005001	Handle Comp
2	YYLY50005002	Lock Collar
3	GB/T6187.1-M10	Flange Lock Nut, M10
4	GB/T5789-M10×50	Flange Bolt, M10×50
5	YYLY50005A03	Case, Front Turning Light
6	YYLY50005A04	Windshield
7	YYLY50005A05	L. Decorate Plate, Front Turning Light Case
8	YYLY50005A06	R. Decorate Plate, Front Turning Light Case
9	GB/T845-ST4.2×12	Screw, Tapping ST4.2×12
10	YYLY50005004	Case, Meter
11	YYLY50005005	R. Window Len, Front Disc. Brake
12	YYLY50005006	L. Window Len, Rear Disc. Brake
13	GB/T845-ST4.2×12	Screw, Tapping ST4.2×12
14	GB/T818-M5×30	Bolt, M5×30
15	GB/T845-ST4.8×16	Screw, Tapping ST4.8×16
16	YYLY50005007	Cover, L. Handlebar
17	GB/T845-ST4.2×12	Screw, Tapping ST4.2×12
18	YYLY50005008	Cover, R. Handlebar
19	GB/T845-ST4.2×12	Screw, Tapping ST4.2×12

图 6	操纵手把/后视镜/钢	Model	JONWAY 150T-12A
Draft 6		Part No.	YYLY50006000



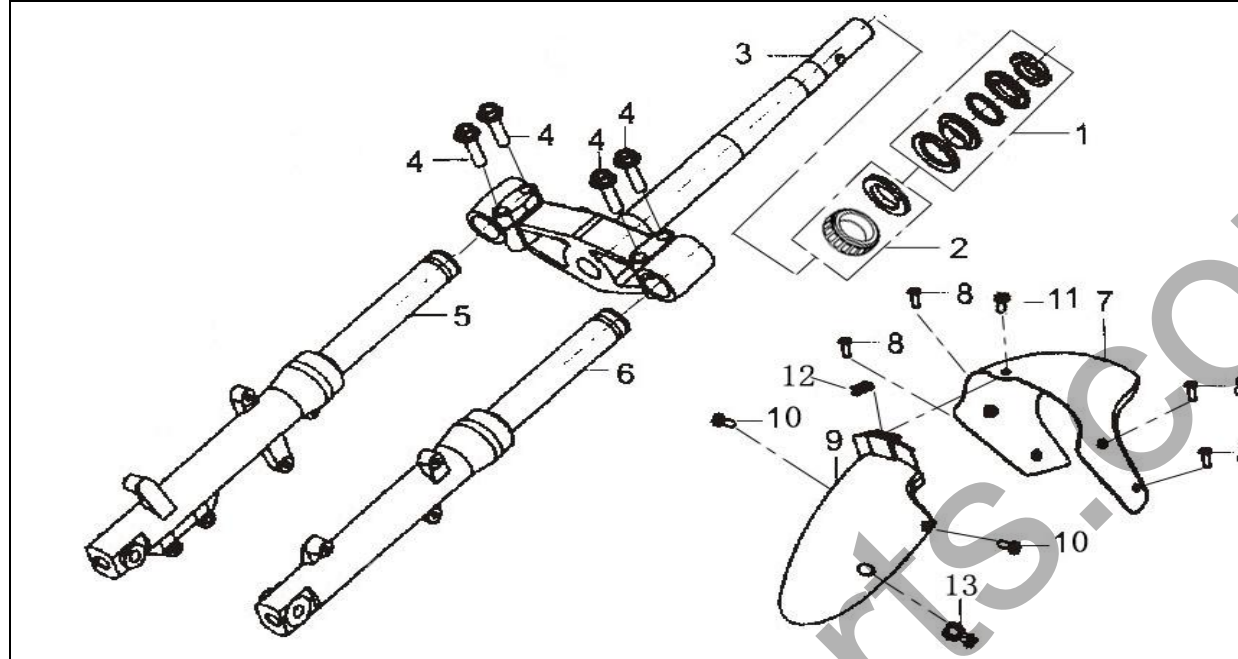
NO.	Part NO.	Description
1	YYLY50006001	Holder, Throttle at Right Handle
2	YYLY50006002	Rear Holder, Throttle Cable
3	GB/T818-M5×30	Screw, M5×30
4	YYYL15006003	Rubber Grip, R. Handle(Throttle Control)
5	YYYL15006004	Throttle Cable
6	YYYL15006005	Rubber Grip, L. Handle
7	YYYL15006006	Rear View Mirror, L.
8	YYYL15006007	Rubber Cover, L. Rear View Mirror
9	YYYL15006008	Rear View Mirror, R.
10	YYYL15006009	Rubber Cover, R. Rear View Mirror
11	GB/T70.1-M8×35	Inner Hex Bolt, M8×35
12	YYYL15006010	Rubber Collar, R. & L. Rear View Mirror
13	YYYL15006011	Electric Start Switch
14	YYYL15006012	Headlight Switch
15	YYYL15006013	Horn Switch
16	YYYL15006014	Turning Light Switch
17	YYYL15006015	Dimmer Switch
18	YYYL15006016	Passing Switch

图 7	燃油箱	Model	JONWAY 150T-12A
Draft 7	FUEL TANK	Part No.	YYLY50007000



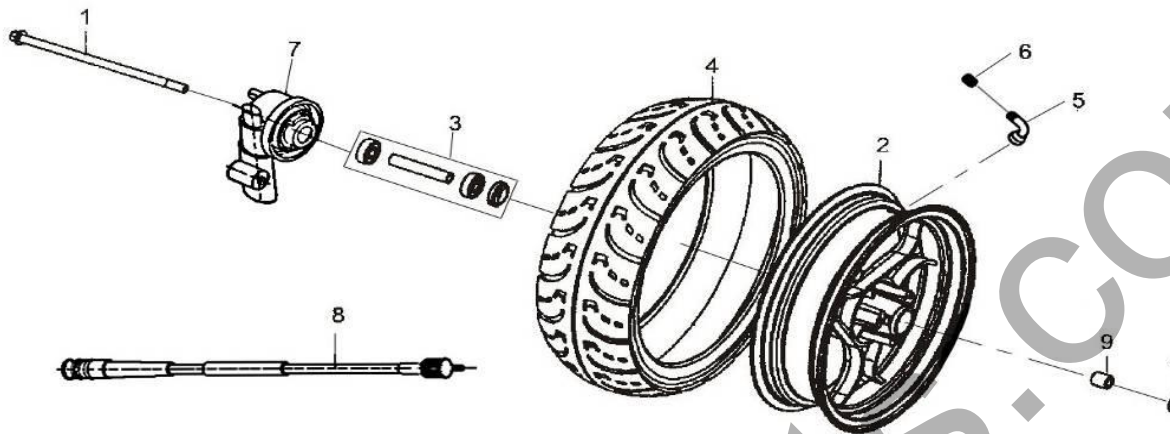
NO.	Part NO.	Description
1	YYLY50007001	Fuel Level Sensor
2	YYLY50007002	Block Cap, Sensor
3	YYLY50007003	Oil Seal Gasket for Sensor
4	YYLY50007004	Fuel Tank Assy
5	GB/T5789-M6×16	Bolt, M6×16
6	YYLY50007005	Cap Assy, Fuel Tank
7	YYLY50007006	Block Cap, Fuel Tank
8	GB/T5789-M8×16	Bolt, M8×16
9	YYLY50007007	Fuel Valve Assy
10	YYLY50007008	Fuel Tube
11	YYLY50007009	Fuel Filter
12	YYLY50007010	Clip, Fuel Tube φ5
13	YYLY50007011	Vacuum Air Tube
14	YYLY50007012	Clip, Fuel Tube φ4

图 8	方向柱/前减震	Model	JONWAY 150T-12A
Draft 8	STEERING / FRON	Part No.	YYLY50008000



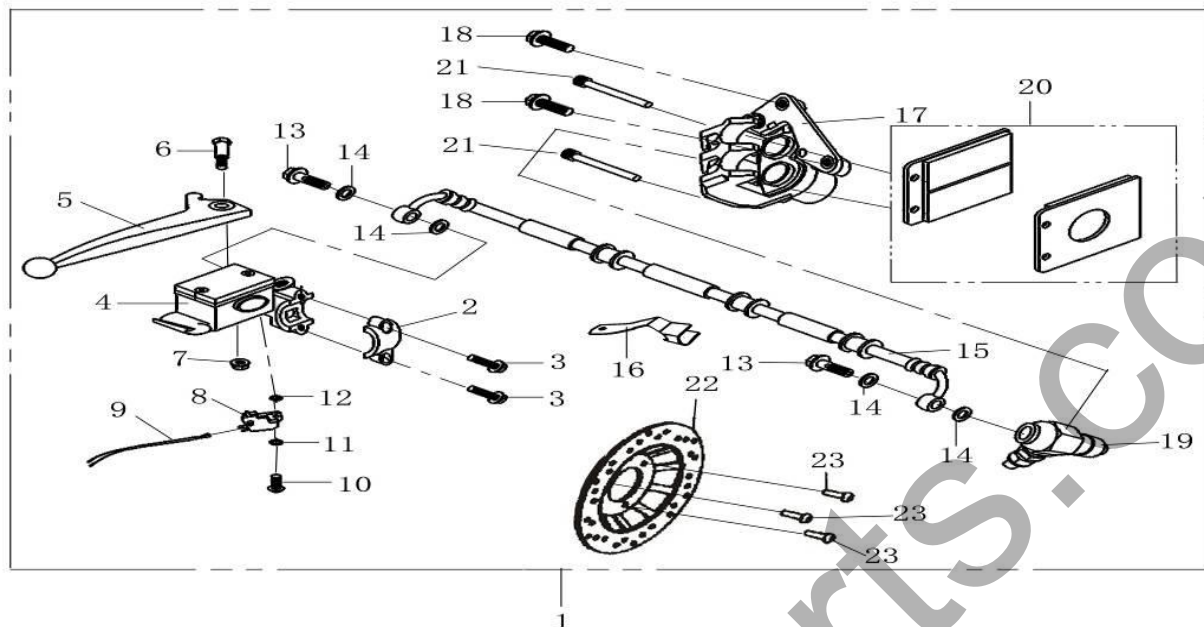
NO.	Part NO.	Description
1	YYLY50008001	Top Protrude, Steel Ball Bowl Assy
2	YYLY50008002	Bottom Concave, Steel Ball Bowl Assy
3	YYLY50008003	Lower Bridge Assy, Steer Stem
4	GB/T5789-M10×1.25×35	Bolt, M10×1.25×35
5	YYLY50008004	L. Front Shock Absorber
6	YYLY50008005	R. Front Shock Absorber
7	YYLY50008006	Front, Front Mudguard
8	YYLY50008007	Screw, M6×12
9	YYLY50008008	Rear, Front Mudguard
10	YYLY50008007	Screw, M6×12
11	YYLY50008009	Screw, M6×12
12	YYLY50008010	Clamp Nut M6
13	YYLY50008011	Clip

图 9	前轮	Model	JONWAY 150T-12A
Draft 9	FRONT WHEEL	Part No.	YYLY50009000



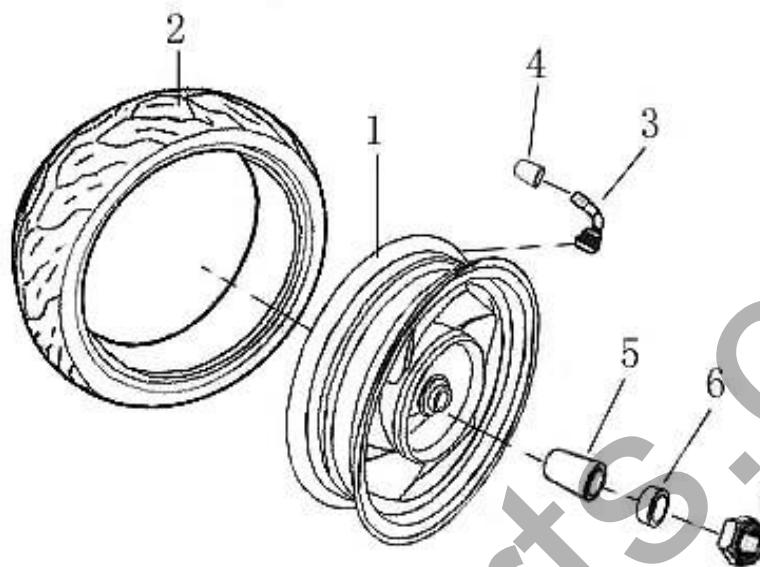
NO.	Part NO.	Description
1	YYLY50009001	Axle, Front Wheel, M12×245
2	YYLY50009002	Rim, Front Wheel
3	YYLY50009003	Separate Collar Set, Front Wheel Axle
4	YYLY50009004	Tyre, Front Wheel 130/60-13
5	YYLY50009005	Tubeless Valve
6	YYLY50009006	Cap, Tubeless Valve
7	YYLY50009007	Count Gear Box, Odometer
8	YYLY50009008	Cable, Odometer
9	YYLY50009009	Collar, $\phi 12 \times \phi 23 \times 21$
10	GB/T6187.1-M12	Flange Lock Nut, M12

图 10	前液压制动器	Model	JONWAY 150T-12A
Draft 10	FRONT HYDRAUL	Part No.	YYLY50010000

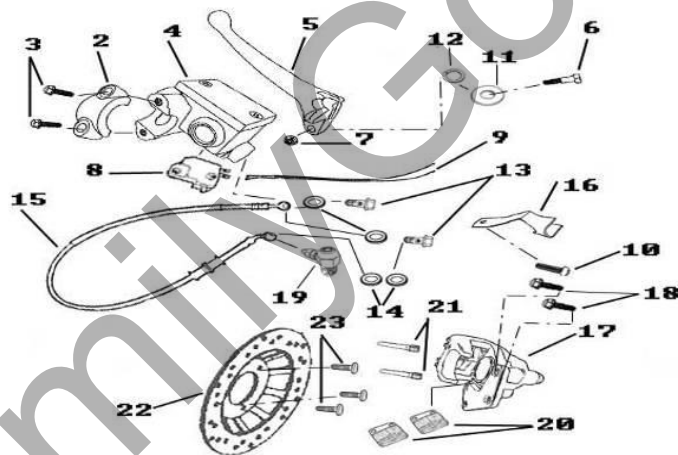


NO.	Part NO.	Description
1	YYLY50010000	Front Hydraulic Brake System
2	YYLY50010001	Cap, Front Hydraulic Cylinder
3	GB/T5789-M6×22	Flange Bolt, M6×22
4	YYLY50010002	Front Hydraulic Cylinder Comp
5	YYLY50010003	Lever, Right Handle
6	YYLY50010004	Bolt, Front Brake Lever
7	GB/T6187.1-M6	Flange Lock Nut, M6
8	YYLY50010005	Switch, Front Brake
9	YYLY50010006	Wire Cable, Front Brake Switch
10	GB/T818-M4×12	Screw, M4×12
11	GB/T95-φ4	Plain Washer, φ4
12	GB/T93-φ4	Spring Washer, φ4
13	YYLY50010007	Connect Bolt, Hose, Front Brake
14	YYLY50010008	Copper Washer
15	YYLY50010009	Hydraulic Hose, Front Brake
16	YYLY50010010	Clip, Front Hydraulic Hose
17	YYLY50010011	Caliper Comp, Front Brake
18	GB/T5789-M8×25	Flange Bolt, M8×25
19	YYLY50010012	ABS Assy
20	YYLY50010013	Brake Plate Assy, Front Brake
21	YYLY50010014	Bolt, Brake Plate Assy, Front Brake
22	YYLY50010015	Brake Disc. Assy, Front Wheel
23	GB/T2672-M8×25	Inner Hex Bolt, M8×25

图 11	后轮	Model	JONWAY 150T-12A
Draft 11	REAR WHEEL	Part No.	YYLY50011000



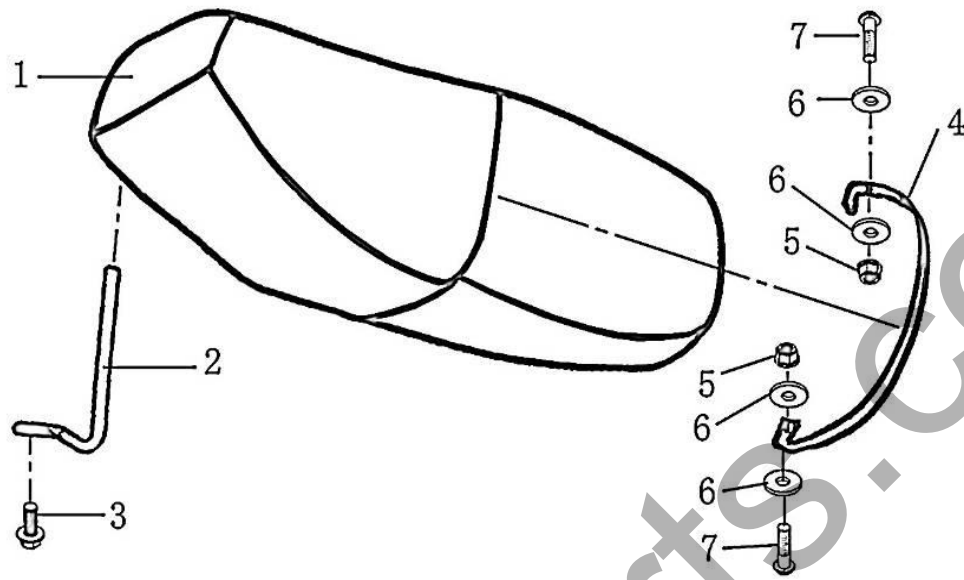
NO.	Part NO.	Description	
1	YYLY50011001	Rim, Rear Wheel	
2	YYLY50011002	Tyre, Rear Wheel 130/60-13	
3	YYLY50011003	Tubeless Valve	
4	YYLY50011004	Cap, Tubeless Valve	
5	YYLY50011005	Collar, $\phi 17 \times \phi 25 \times 22$	
6	YYLY50011006	Collar II, $\phi 17 \times \phi 25 \times 5$	
7	GB/T6187.1-M16	Flange Lock Nut, M16	
图 12	后液压制动器	Model	YY125T-12
Draft 12	REAR HYDRAULIC	Part No.	YYLY50012000



NO.	Part NO.	Description
1	YYLY50012000	Rear Hydraulic Brake System
2	YYLY50012001	Cap, Rear Hydraulic Cylinder
3	GB/T5789-M6×22	Bolt, M6×22
4	YYLY50012002	Rear Hydraulic Cylinder Comp
5	YYLY50012003	Lever, Left Handle
6	YYLY50012004	Bolt, Rear Brake Lever
7	GB/T6187.1-M6	Flange Lock Nut, M6
8	YYLY50012005	Switch, Rear Brake
9	YYLY50012006	Wire Cable, Rear Brake Switch
10	GB/T818-M4×12	Screw, M4×12

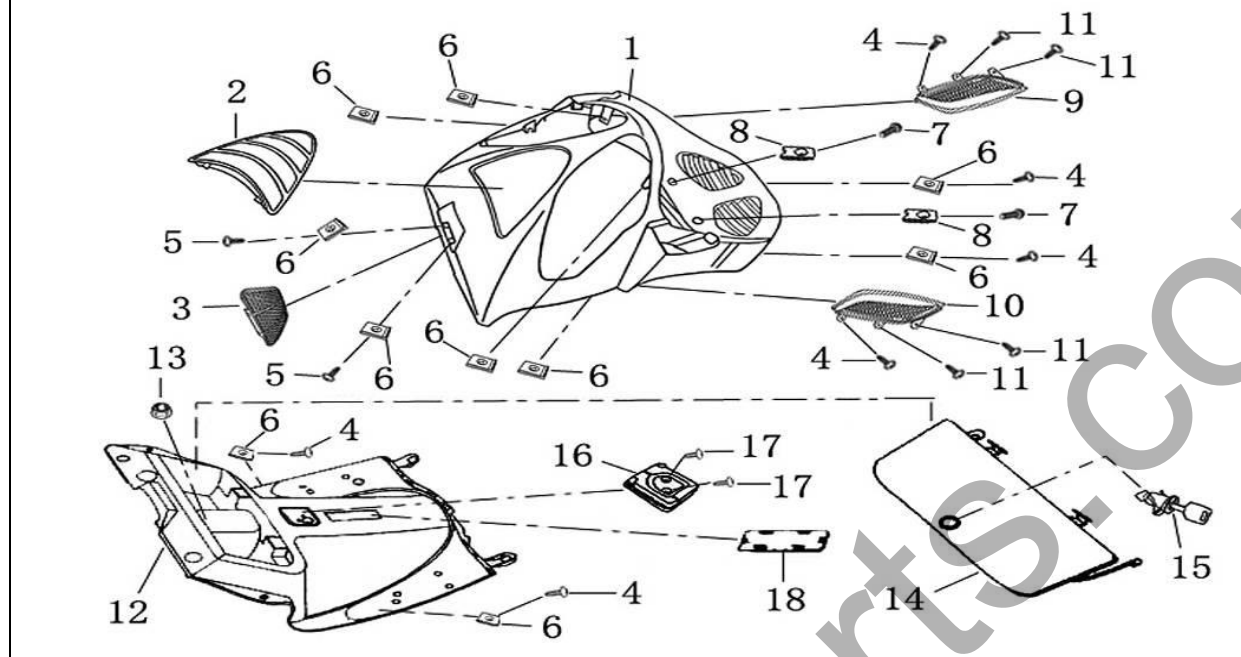
11	GB/T95-φ4		Plain Washer, φ4	
12	GB/T93-φ4		Spring Washer, φ4	
13	YYLY50012007		Connect Bolt, Hose, Front Brake	
14	YYLY50012008		Copper Washer	
15	YYLY50012009		Hydraulic Hose, Rear Brake	
16	YYLY50012010		Clip, Rear Hydraulic Hose	
17	YYLY50012011		Caliper Comp, Rear Brake	
18	GB/T5789-M8×25		Bolt, M8×25	
20	YYLY50012013		Brake Plate Assy, Rear Brake	
21	YYLY50012014		Bolt, Brake Plate Assy, Rear Brake	
22	YYLY50012015		Brake Disc. Assy, Rear Wheel	
23	YYLY50012016		Fixing Bolt, Rear Brake Disc.	

图 13	座垫	Model	JONWAY 150T-12A
Draft 13	SEAT	Part No.	YYLY50013000



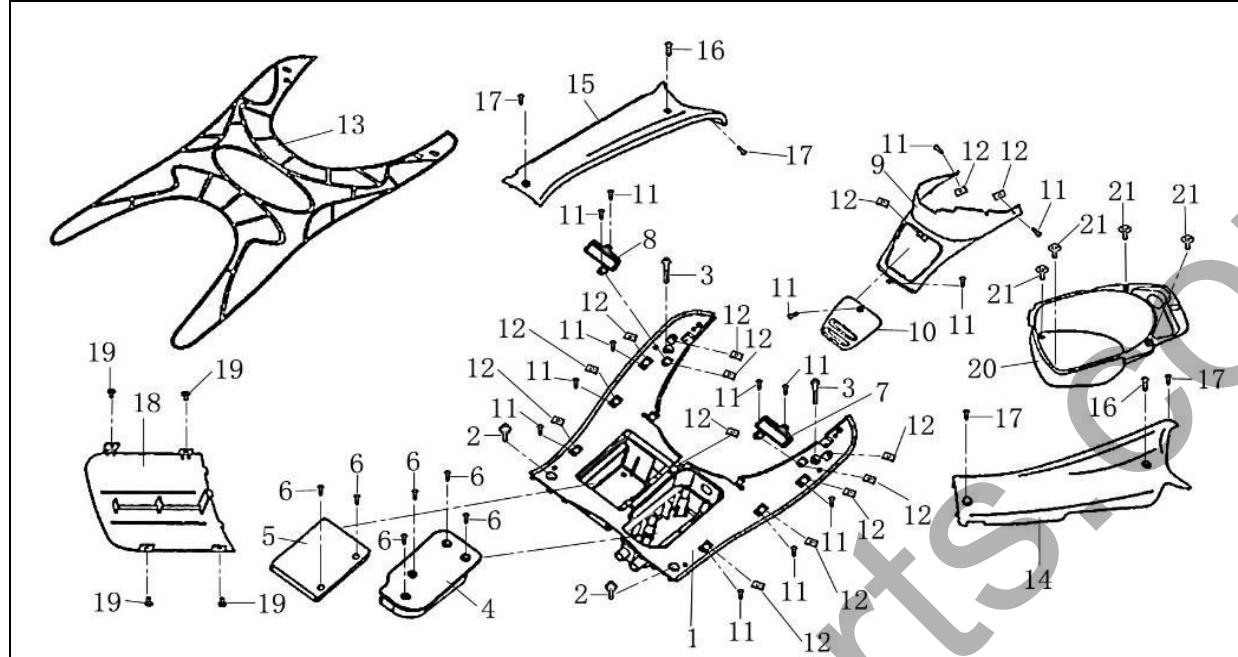
NO.	Part NO.	Description
1	YYLY50013001	Seat Assy
2	YYLY50013002	Axle Pin, Seat
3	GB/T5789-M6×16	Bolt, M6×16
4	YYLY50013003	Seat Decorating Belt
5	GB/T6177.1-M6	Nut, M6
6	GB/T95-φ6	Plain Washer, φ6
7	GB/T818-M6×22	Screw, M6×22

图 14	前面罩/前护条/工具	Model	JONWAY 150T-12A
Draft 14		Part No.	YYLY50014000



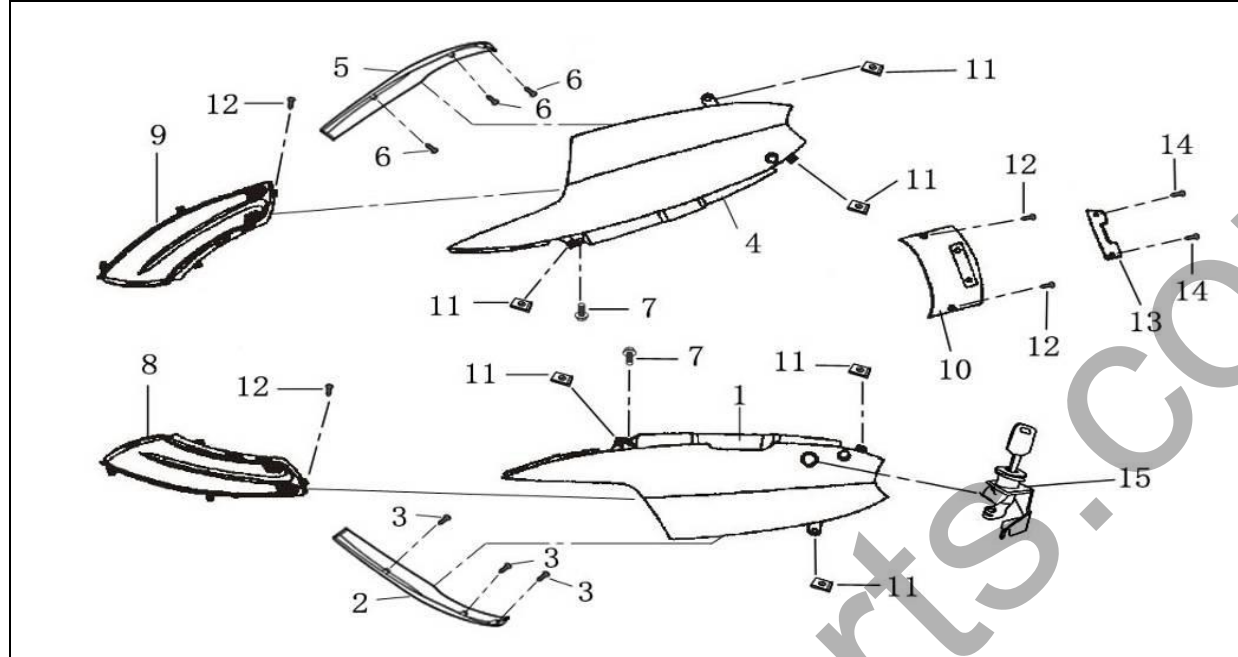
NO.	Part NO.	Description
1	YYLY50014A01	Front Cover
2	YYLY50014A02	Intake, Front Cover
3	YYLY50014A03	Small Decoration,Front Cover
4	GB/T845-ST4.2×16	Screw, Tapping ST4.2×16
5	GB/T845-ST4.8×16	Screw, Tapping ST4.8×16
6	YYLY50014002	Clamp, 4.2mm
7	GB/T9074.1-M6×16	Bolt with Washer, M6×16
8	YYLY50014004	Clamp Nut, M6
9	YYLY50014A05	Left Intake Fender
10	YYLY50014A06	Right Intake Fender
11	GB/T845-ST4.8X12	Screw, Tapping ST4.8×12
12	YYLY50014007	Front Luggage Carrier
13	GB/T6177.1-M6	Nut, M6
14	YYLY50014008	Cover, Front Luggage Carrier
16	YYLY50014010	Hook, Helmet
17	GB/T845-ST4.2×16	Screw, Tapping ST4.2×16
18	YYLY50014011	Cover, Chassis No.

图 15	脚踏底板/置物箱/置	Model	JONWAY 150T-12A
Draft 15		Part No.	YYLY50015000



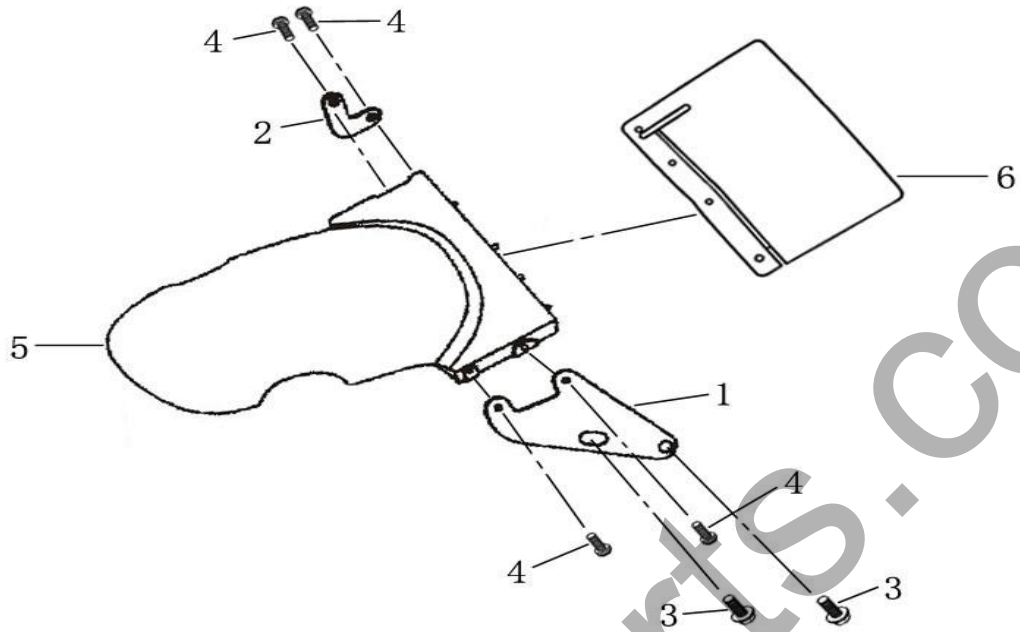
NO.	Part NO.	Description
1	YYLY50015001	Footrest Base Panel
2	YYLY50015002	Step Bolt, M6×16
3	GB/T5789-M6×38	Bolt, M6×38
4	YYLY50015003	L. Cover, Battery
5	YYLY50015004	R. Cover, Battery
6	GB/T845-ST4.8×16	Screw, Tapping ST4.8×16
7	YYLY50015005	L. Small Footrest Panel
8	YYLY50015006	R. Small Footrest Panel
9	YYLY50015007	Front Cover, Luggage Cabinet
10	YYLY50015008	Cap, Front Cover, Luggage Cabinet
11	GB/T845-ST4.8×16	Screw, Tapping ST4.8×16
12	YYLY50015009	Clamp, 4.2mm
13	YYLY50015010	Rubber Mat
14	YYLY50015011	Left Shield
15	YYLY50015012	Right Shield
16	GB/T818-M6×16	Screw, M6×16
17	GB/T845-ST4.8×12	Screw, Tapping ST4.8×12
18	YYLY50015013	Fender, Frame
19	GB/T5789-M6×12	Bolt, M6×12
20	YYLY50015014	Luggage Cabinet
21	GB/T9074.14-M6×16	Bolt with Washer, M6×16

图 16	车体护板	Model	JONWAY 150T-12A
Draft 16	SIDE & REAR COV	Part No.	YYLY50016000



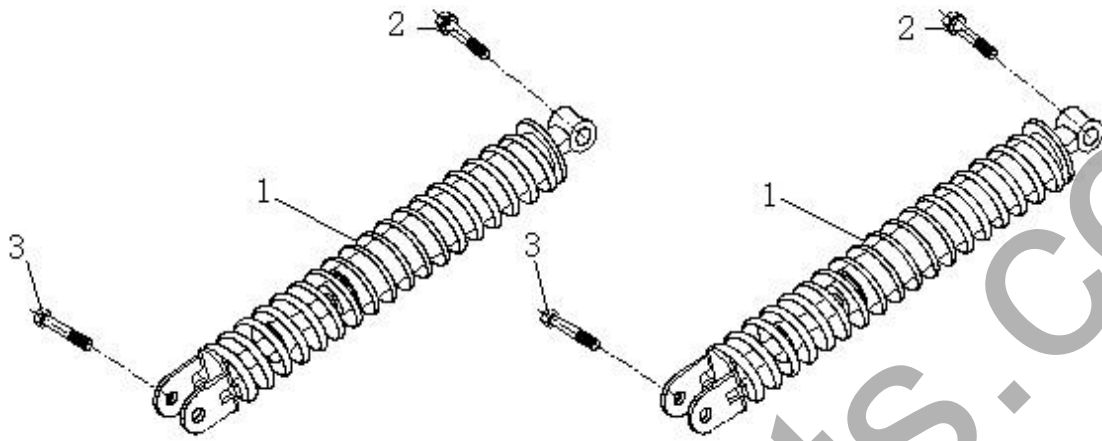
NO.	Part NO.	Description
1	YYLY50016001	L. Decorating Cover
2	YYLY50016A01	Plastic plate,L
3	GB/T845-ST4.8×12	Screw, Tapping ST4.8×12
4	YYLY50016002	R. Decorating Cover
5	YYLY50016A02	Plastic plate,R
6	GB/T845-ST4.8×12	Screw, Tapping ST4.8×12
7	GB/T5789-M6×16	Flange Bolt, M6×16
8	YYLY50016003	L. Decorating Plate
9	YYLY50016004	R. Decorating Plate
10	YYLY50016005	Rear Central Decorating Cover
11	YYLY50016006	Clamp, 4.2mm
12	GB/T845-ST4.8×12	Screw, Tapping ST4.8×12
13	YYLY50016007	Rear Shield
14	GB/T845-ST4.8×16	Screw, Tapping ST4.8×16

图 17	后轮挡泥板	Model	JONWAY 150T-12A
Draft 17	REAR MUDGUARD	Part No.	YYLY50017000



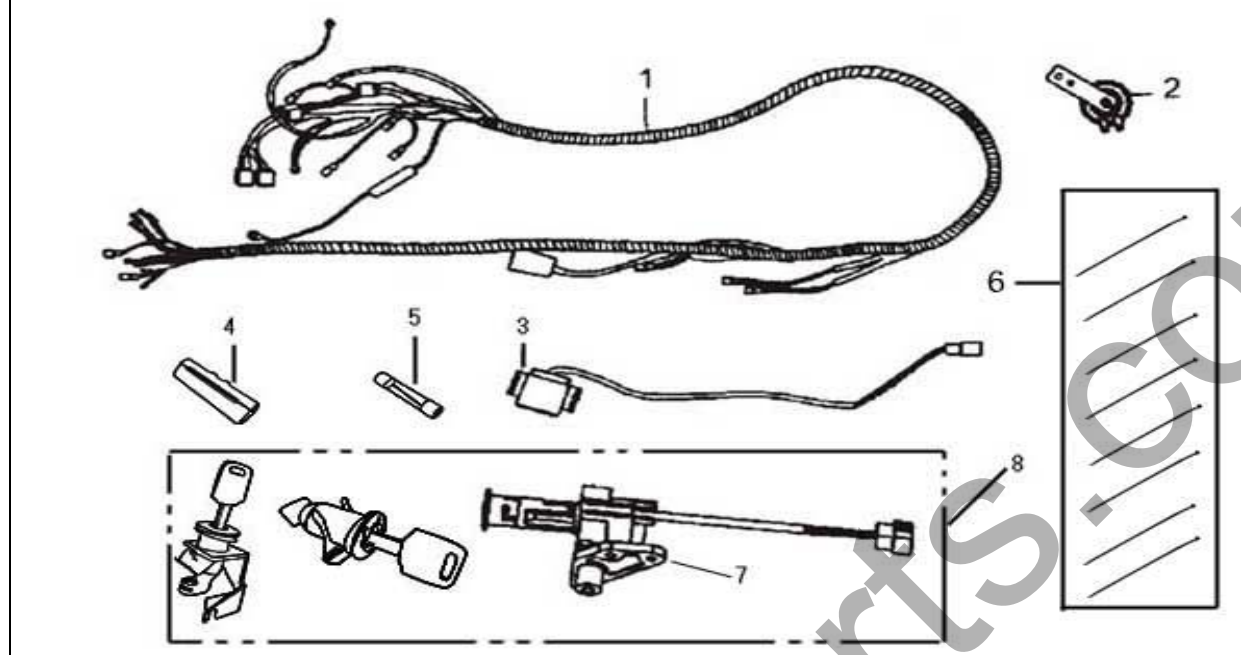
NO.	Part NO.	Description
1	YYLY50017001	Right Bracket, Rear Mudguard
2	YYLY50017002	Left Bracket, Rear Mudguard
3	GB/T5789-M8×16	Flange Bolt, M8×16
4	GB/T9074.1-M6×16	Screw with Washer, M6×16
5	YYLY50017003	Rear Mudguard, Rear Wheel
6	YYLY50017004	Splash Fender

图 18	后减震器	Model	JONWAY 150T-12A
Draft 18	REAR SHOCK ABS	Part No.	YYLY50018000



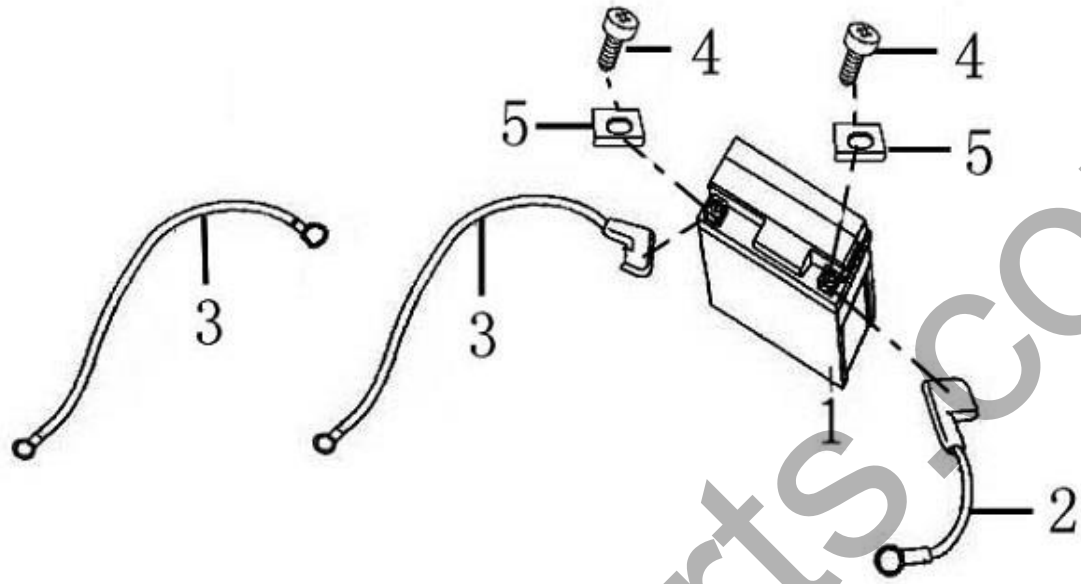
NO.	Part NO.	Description
1	YYLY50018001	Rear Shock Absorber Assy
2	GB/T5789-M10×40	Flange Bolt, M10×40
3	GB/T5780-M8×32	Hex Bolt, M8×32

图 19	主电缆	Model	JONWAY 150T-12A
Draft 19	WIRE HARNESS	Part No.	YYLY50019000



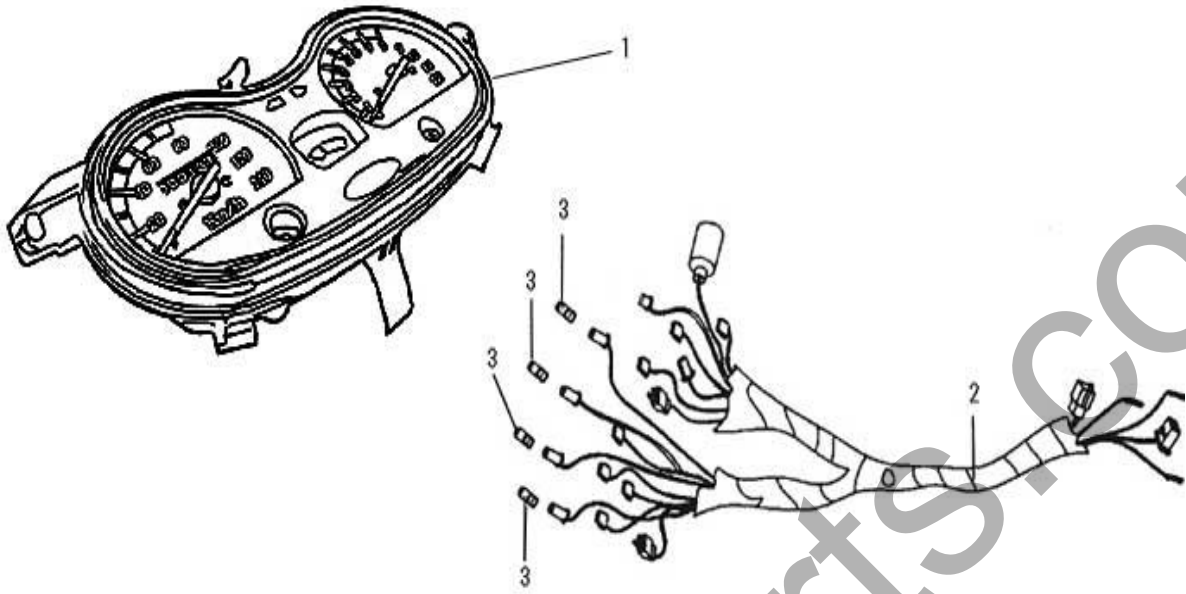
NO.	Part NO.	Description
1	YYLY50019001	Wire Harness
2	YYLY50019002	Horn
3	YYLY50019003	Winker Relay
4	YYLY50019004	Fuse Box
5	YYLY50019005	Fuse 7A
6	YYLY50019006	Strip Set
8	YYLY50019008	Lock Set

图 20	蓄电池	Model	JONWAY 150T-12A
Draft 20	BATTERY	Part No.	YYLY50020000



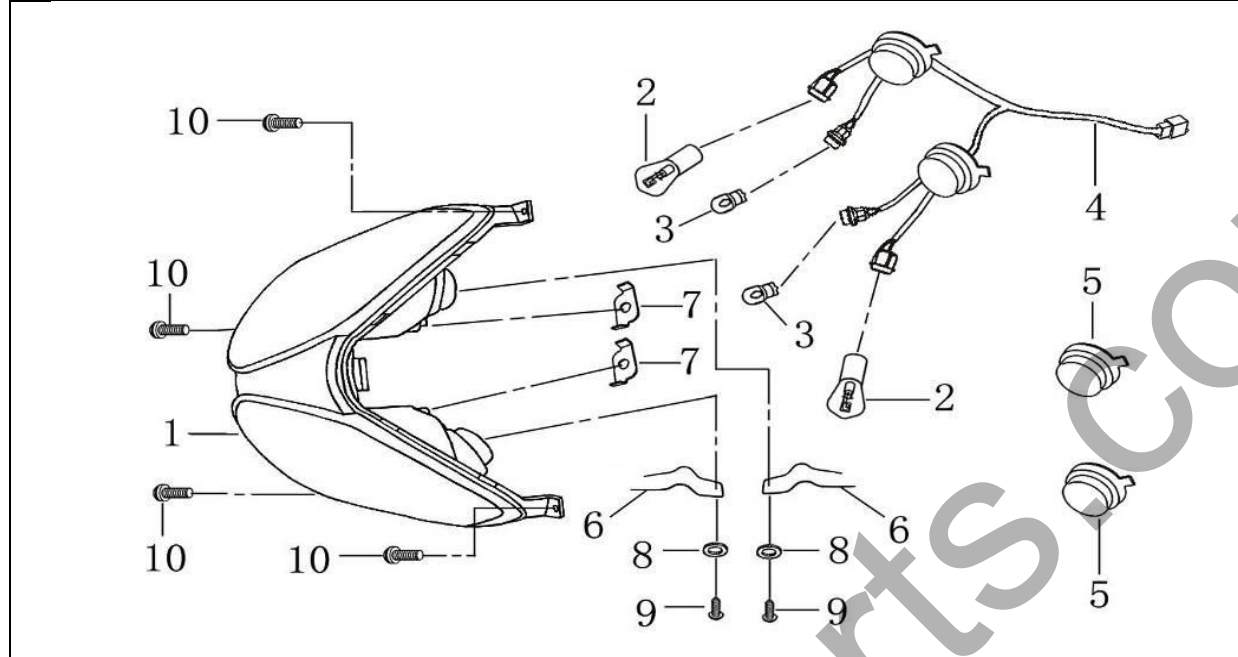
NO.	Part NO.	Description
1	YYLY50020001	Battery 12V7An
2	YYLY50020002	Cable, Positive Pole
3	YYLY50020003	Cable, Grounding

图 21	仪表	Model	JONWAY 150T-12A
Draft 21	METER	Part No.	YYLY50021000



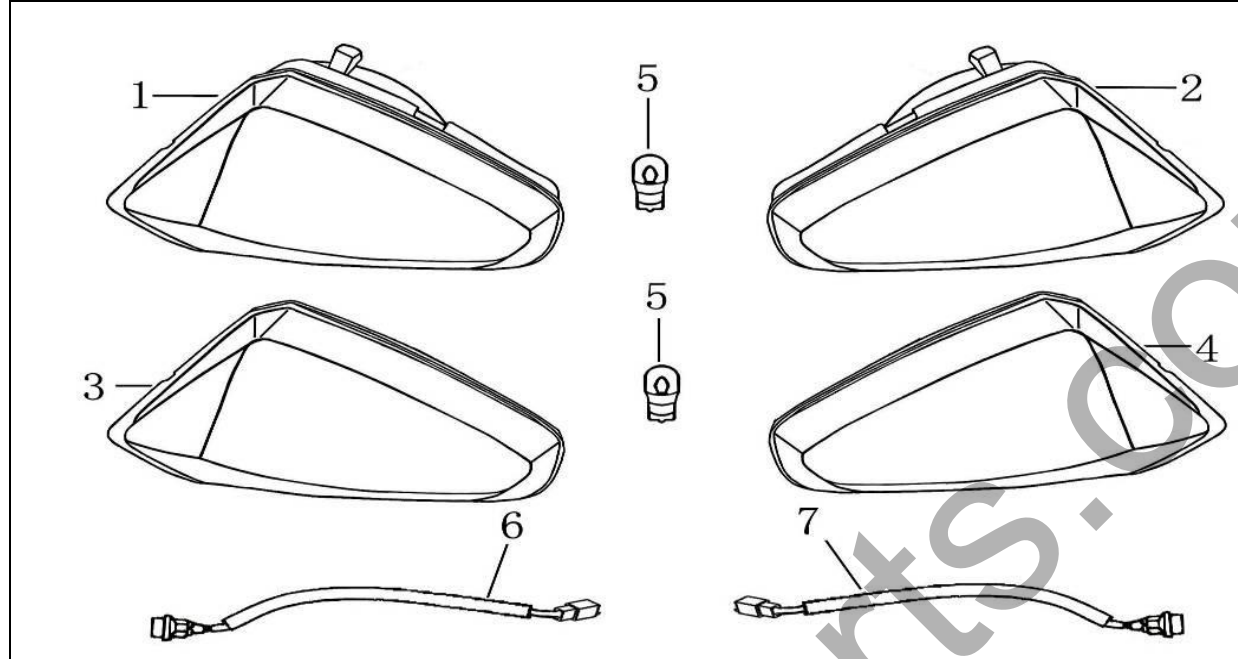
NO.	Part NO.	Description
1	YYLY50021001	Meter Assy
2	YYLY50021002	Wire Cable, Meter
3	YYLY50021003	Bulb, Meter Light 12V3W

图 22	前照灯	Model	JONWAY 150T-12A
Draft 22	HEADLIGHT	Part No.	YYLY50022000



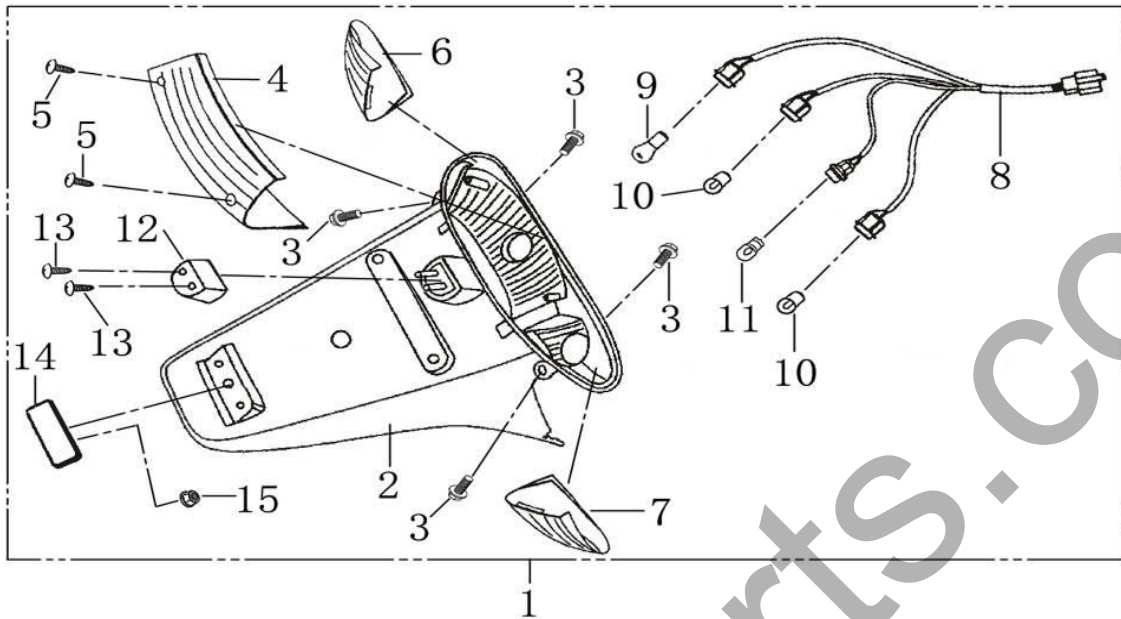
NO.	Part NO.	Description
1	YYLY50022A01	Headlight Comp
2	YYLY50022002	Bulb, Headlight 12V35W/35W
3	YYLY50022003	Bulb, Position Light 12V 5W
4	YYLY50022A04	Wire Cable, Headlight
5	YYLY50022A05	Dustproof Rubber Cover
6	YYLY50022006	Clip, Light Holder
7	YYLY50022007	Fixed washer of bulb
8	GB/T95-φ5	Washer, φ5
9	GB/T845-ST4.2×12	Screw, Tapping ST4.2×12
10	GB/T9074.1-M6×16	Screw with Washer, M6×16

图 23	前转向灯	Model	JONWAY 150T-12A
Draft 23	FRONT TURNING	Part No.	YYLY50023000



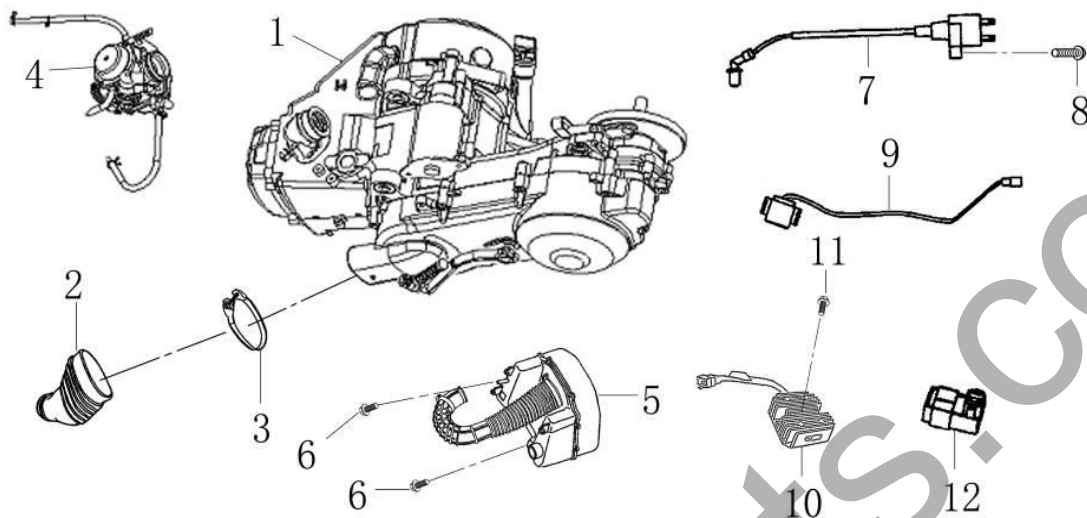
NO.	Part NO.	Description
1	YYLY50023A01	L. Front Turning Light Assy
2	YYLY50023A02	R. Front Turning Light Assy
3	YYLY50023A03	Len, L. Front Turning Light
4	YYLY50023A04	Len, R. Front Turning Light
5	YYLY50023005	Bulb, Front Turning Light 12V10W
6	YYLY50023006	Wire Cable, L. Front Turning Light
7	YYLY50023007	Wire Cable, R. Front Turning Light

图 24	尾灯	Model	JONWAY 150T-12A
Draft 24	REAR LIGHT	Part No.	YYLY50024000



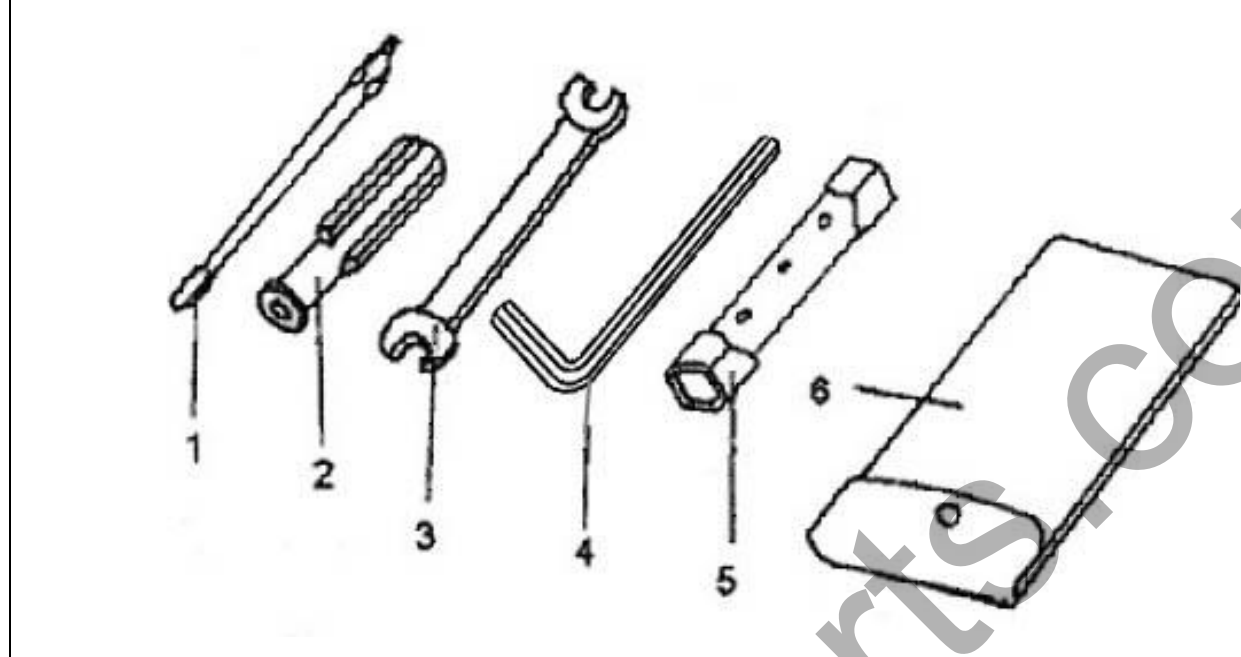
NO.	Part NO.	Description
1	YYLY50024000	Rear Light Assy
2	YYLY50024001	Holder, Rear Light
3	GB/T5789-M6×12	Flange Bolt, M6×12
4	YYLY50024002	Lens, Rear Light
5	GB/T845-ST4.2×16	Screw, Tapping ST4.2×16
6	YYLY50024003	Lens, L. Rear Turning Light
7	YYLY50024004	Lens, R. Rear Turning Light
8	YYLY50024005	Wire Cable, Rear Light
9	YYLY50024006	Bulb, Rear Light(12V/5w/21w)
10	YYLY50024007	Bulb, L. & R. Turning Light (12V,10w)
11	YYLY50024008	Bulb, Rear Registration Plate Light
12	YYLY50024009	Lens, Rear Registration Plate Light
13	GB/T845-ST4.2×12	Screw, Tapping ST4.2×12
14	YYLY50024010	Rear Retro Reflecting Device
15	GB/T6177.1-M5	Flange Nut, M5

图 25	发动机总成/空滤器	Model	JONWAY 150T-12A
Draft 25	ENGINE COMP & /	Part No.	YYLY50025000



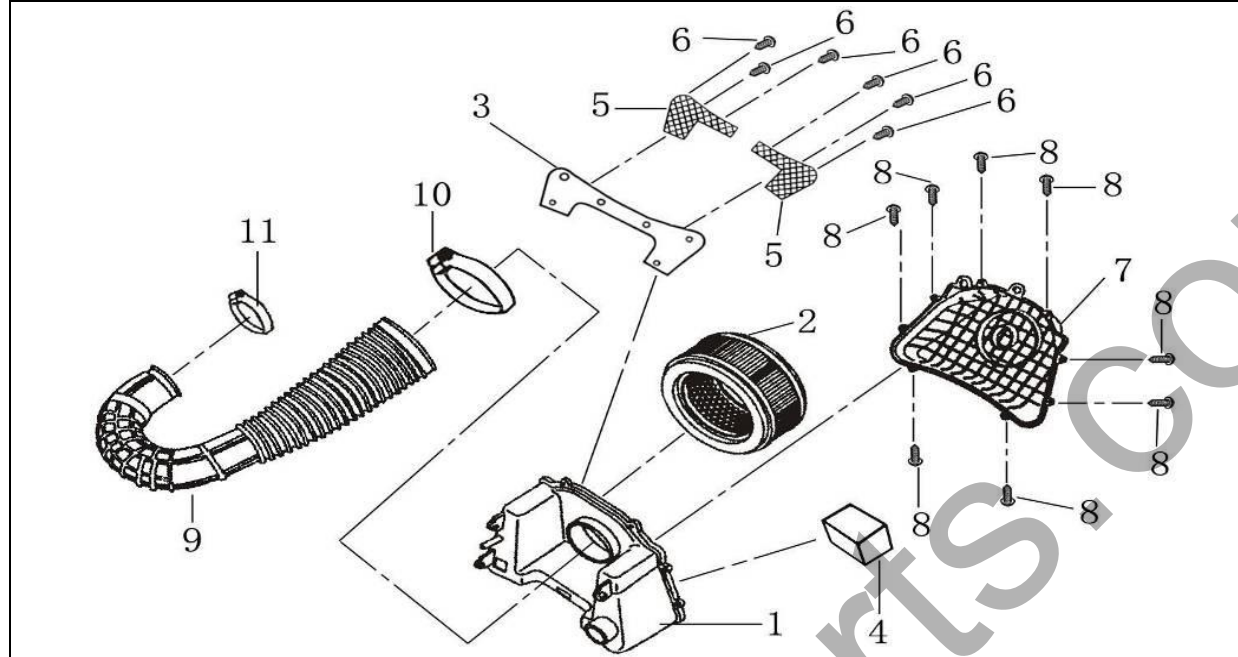
NO.	Part NO.	Description
1	YYLY50025001	Engine Assy
2	YYLY50025002	Air Inlet Pipe
3	YYLY50025003	Clip
4	YYLY50025004	Carburetor Assy
5	YYLY50025005	Air Cleaner Assy
6	GB/T5789-M6×16	Bolt, M6×16
7	YYPT15025006	Ignition Coil Assy
8	GB/T818-M6×35	Screw, M6×35
9	YYPT15025007	Starter Relay
10	YYPT15025008	Rectifier
11	GB/T5789-M6×16	Bolt, M6×16
12	YYZL15025009	CDI

图 26	随车工具	Model	JONWAY 150T-12A
Draft 26	TOOLS ASSY	Part No.	YYLY50026000



NO.	Part NO.	Description
1	YYPT00026001	Double Ended Screw Driver
2	YYPT00026002	Screw Driver Socket
3	YYPT00026003	Double Ended Spanner 8-10
4	YYPT00026004	Inner Hex Spanner
5	YYPT00026005	Spark Plug Socket
6	YYPT00026006	Tools Bag

图 27	空滤器	Model	JONWAY 150T-12A
Draft 27	AIR CLEANER	Part No.	YYLY50027000



NO.	Part NO.	Description
1	YYLY50027001	Body, Air Cleaner
2	YYLY50027002	Paper Filter Core
3	YYLY50027003	Sponge Filter Core
4	YYLY50027004	Air Intake Pipe Sponge Filter Core
5	YYLY50027005	Sponge Core Fence
6	GB/T845-ST4.8×12	Screw, Tapping ST4.8×12
7	YYLY50027006	Cover, Air Cleaner
8	GB/T845-ST4.2×12	Screw, Tapping ST4.2×12
9	YYLY50027007	Air Intake Pipe
10	YYLY50027008	Large Fixing Ring
11	YYLY50027009	Small Fixing Ring

FamilyGokarts.com

FamilyGokarts.com

FamilyGokarts.com

FamilyGokarts.com

FamilyGokarts.com

FamilyGokarts.com

FamilyGokarts.com

3
8

FamilyGokarts.com

FamilyGokarts.com

FamilyGokarts.com

FamilyGokarts.com

FamilyGokarts.com

FamilyGokarts.com

FamilyGokarts.com

FamilyGokarts.com

FamilyGokarts.com

FamilyGokarts.com

FamilyGokarts.com

FamilyGokarts.com

FamilyGokarts.com

FamilyGokarts.com

FamilyGokarts.com

FamilyGokarts.com

FamilyGokarts.com

FamilyGokarts.com

FamilyGokarts.com

FamilyGokarts.com