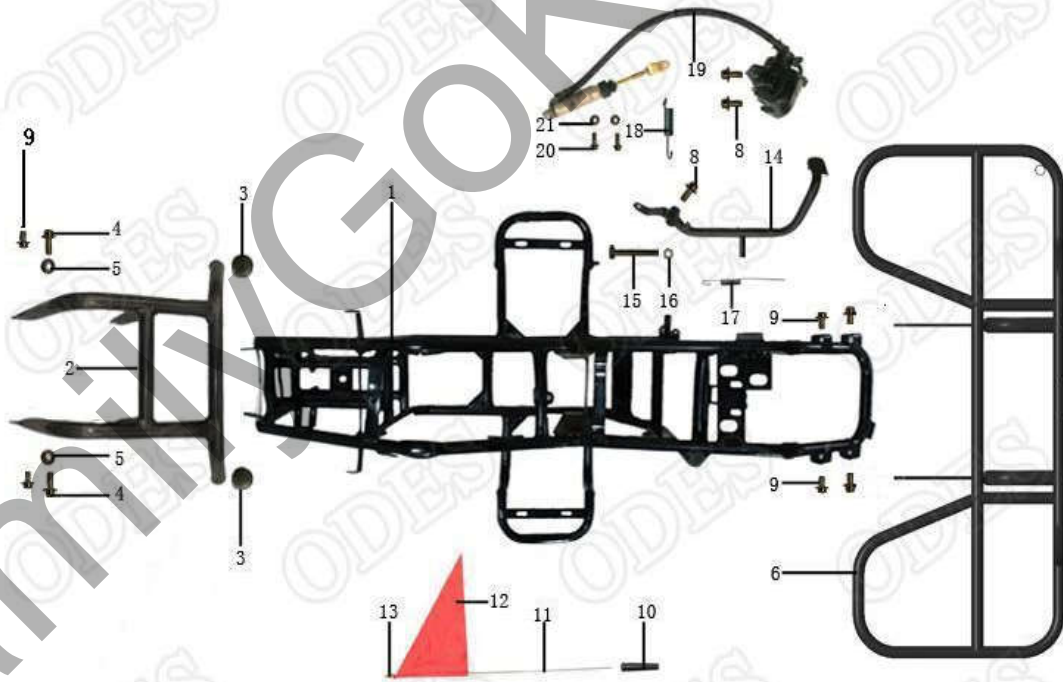
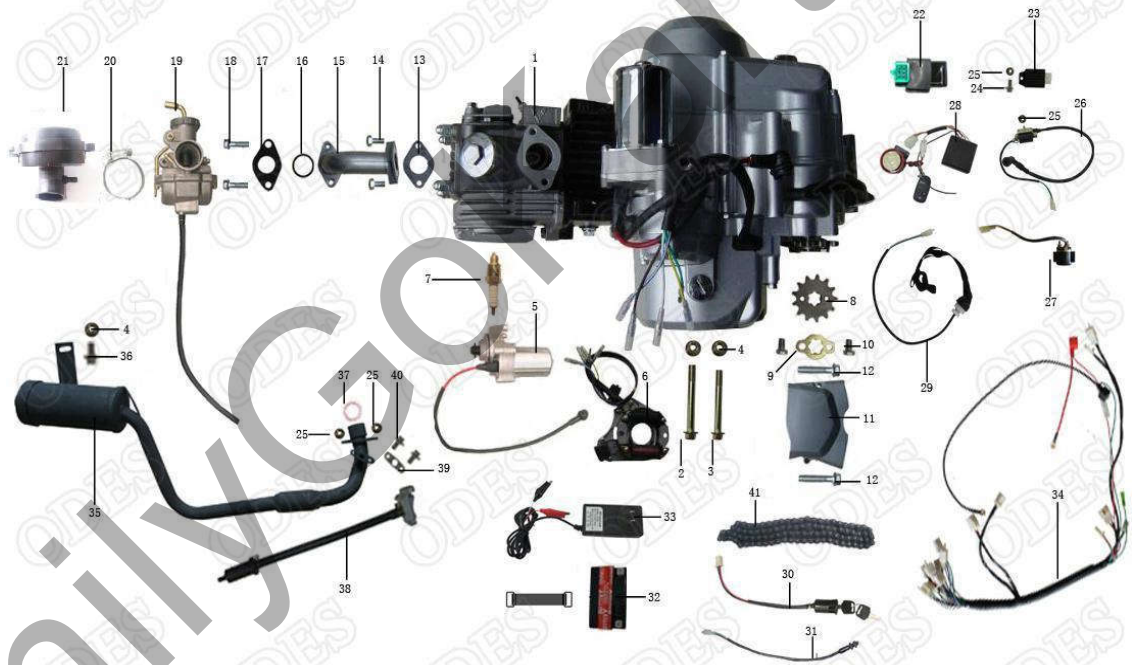


Hawk 110 cc



1.车架及其附件/Frame				
图号 Item No.	ERP 配件编号 ERP NO	中文名称 Chinese name	英文名称 English name	型号 Specification
1	10808010000	车架	Frame	
2	10808110000	前保险杠	Front bumper	
3	10808110010	前保险杠堵头	Bumper piece	
4	01214080202	六角法兰螺栓	Bolt hex-flange	M8×14
5	04612080022	六角法兰防松螺母	Locknut hex-flange	M8
6	10808130000	后货架	Rear rack	
7	10409180010	红色方形反光牌	Reflector	
8	01214080162	六角法兰螺栓	Bolt hex-flange	M8×16
9	01214080142	六角法兰螺栓	Bolt hex-flange	M8×14
10	10814010030	旗杆橡胶座	Rubber seat of flag	
11	10814010020	旗杆	Flagpole	
12	10814010010	小红旗	Flag	
13	10814010040	旗杆固定帽	Flag cap	
14	10806030000	脚刹踏板	Brake padal	
15	01124080502	六角螺栓	Hex bolt	M8×55 (全丝)

16	04212080022	六角螺母	Hex nut	M8
17	10806030030	脚刹开关簧	Spring for brake switch	
18	10806030020	脚刹拉簧	tension spring for brake	
19	10806010000	碟刹系统总成	Brake assy	
20	01224060252	六角法兰螺栓	Bolt hex-flange	M6x25x1.25
21	04612060022	六角法兰防松螺母	Locknut hex-flange	M6



2.发动机及电零件/Engine and Electric Parts				
图号 Item No.	ERP 配件编号 ERP NO	中文名称 Chinese name	英文名称 English name	型号 Specification
1	10802010000	发动机（自动波）	Enigne	
2	01214081102	六角法兰螺栓	Screw hex-flange	M8x110x1.25
3	01214081002	六角法兰螺栓	Screw hex-flange	M8x100x1.25
4	04612080022	六角法兰防松螺母	Hex-flange self-locking nuts	M8
5	10802010010	启动电机	Starter motor	
6	10802010020	发动机磁电机	Magneto	
7	10802010030	火花塞	Spark plug	
8	10803030000	发动机小链轮	Engine sproket	
9	10803040000	小链轮固定板	Clip for sprocket	
10	01114060101	六角螺栓	Hexagon bolt	M6x10
11	10802010040	发动机边盖	Back cover	
12	01224060252	六角法兰螺栓	Screw hex-flange	M6x25
13	10802010060	进气管纸垫	Gasket for intake	
14	01114060202	六角螺栓	Hexagon bolt	M6x20
15	10802010050	进气管XS43	Intake	
16	10802020020	化油器垫片O型圈	O-ring	

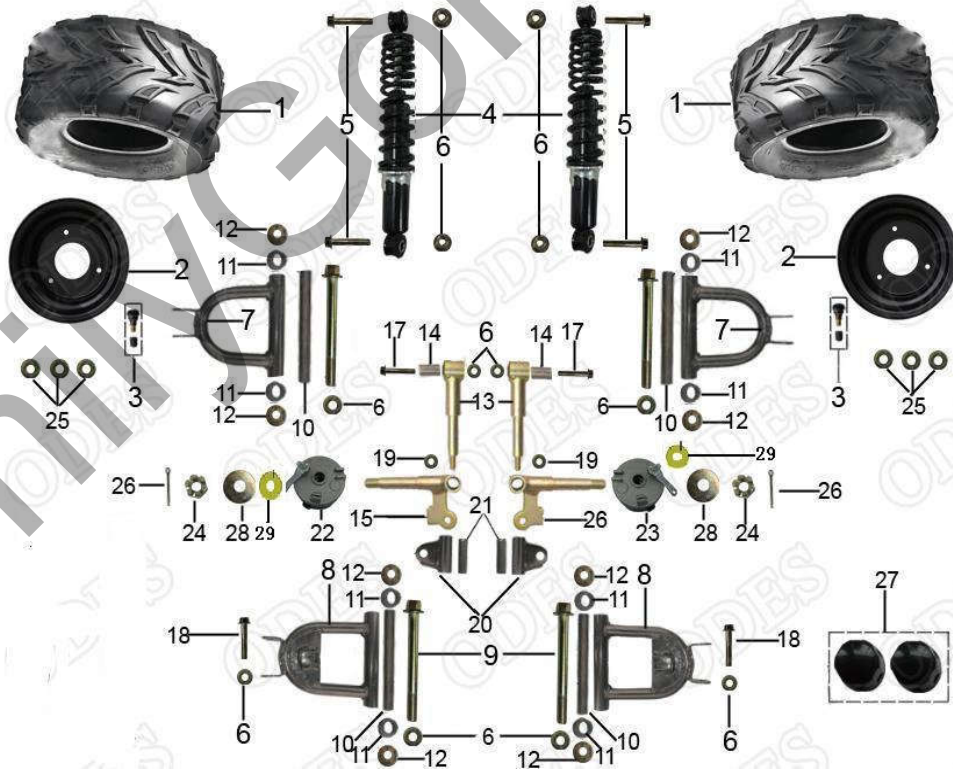
17	10802020010	化油器垫片	Gasket for carburetor	
18	01224060302	六角法兰螺栓	Bolt hex-flange	M6x30
19	10802020000	化油器	Carburetor	
20	10807020030	空滤器卡箍	Air filter holder	
21	10807020000	空滤器	Air filter	
22	10809200000	点火器	Ignition	
23	10809210000	稳压器	Regulator	
24	01224060252	六角法兰螺栓	Bolt hex-flange	M6x25
25	04612060022	六角法兰防松螺母	Lock nut hex-flange	M6
26	10809220000	高压包	Coil	
27	10809350000	启动继电器	Starter relay	
28	10809250000	防盗器	Anti-theft alarm	
29	10809260000	紧急熄火	Engine off button	
30	10809030000	电锁	Key switch	
31	10809050000	刹车开关	Brake switch	
32	10809090000	电瓶	Battery	
33	10809240000	充电器	Charge	
34	10809010000	全车线	Main wire	

35	10807010000	消音器总成	Muffler	
36	01214080162	六角法兰螺栓	Bolt hex-flange	M8x16
37	10807010030	消音器垫片	Gasket for muffler	
38	10807010040	二次补气阀	Gulp valve	
39	10807010050	补气阀垫片	Gasket for gulp vavle	
40	01224060122	六角法兰螺栓	Bolt hex-flange	M6x12
41	10803070000	链条	Chain	420/76节



3.转向系统/Steering System				
图号 Item No.	ERP 配件编号 ERP NO	中文名称 Chinese name	英文名称 English name	型号 Specification
1	10805170010	车把压块 (上)	Upper clamp	
2	10805170020	车把压块 (下)	Upper clamp	
3	01214080551	六角法兰螺栓	Bolt hex-flange	M8x55
4	01214080552	六角法兰螺栓	Bolt hex-flange	M8x55
5	10805160000	车把弯管	Handle bar	
6	04612060022	六角法兰防松螺母	Locknut hex-flange	M8
7	10405130000	把套	Hand grip	
8	10805180000	车把防撞套 (内)	Crash barrier pad	
9	10805180010	车防撞套套 (外)	Crash barrier pad	
	10805180030	车把防撞套 (外) ODES	Cover of pad with Odes logo	
	10805180040	车把防撞套 (外) EXTREME	Cover of pad with Extreme logo	
10	10809190000	组合开关	Combination function switch	
11	10811070000	加油器	Throttle mechanism	
12	10811020000	手刹线	Theottle cable	
13	10811010010	油门线	Brake cable	
14	10805050000	方向柱	Lock nut hex-flange	

16	04612400022	六角法兰防松螺母	Lock nut hex-flange	M10x1.5
17	05011250252	开口销	Cotter pin	φ2.5x25
18	10805190000	方向柱卡块	Steering column holder	
19	10805190010	方向柱卡块内衬套	Steering column holder pipe	
20	10805120000	转向拉杆	Steering tie-rod	
21	06619101602	弹簧垫片	Elasticity washer	φ10
22	04712100022	开槽螺母	Castle nut	M10
23	05011200252	开口销	Cotter pin	φ2.0x25
24	10805190020	方向柱压线板	Tension disc	

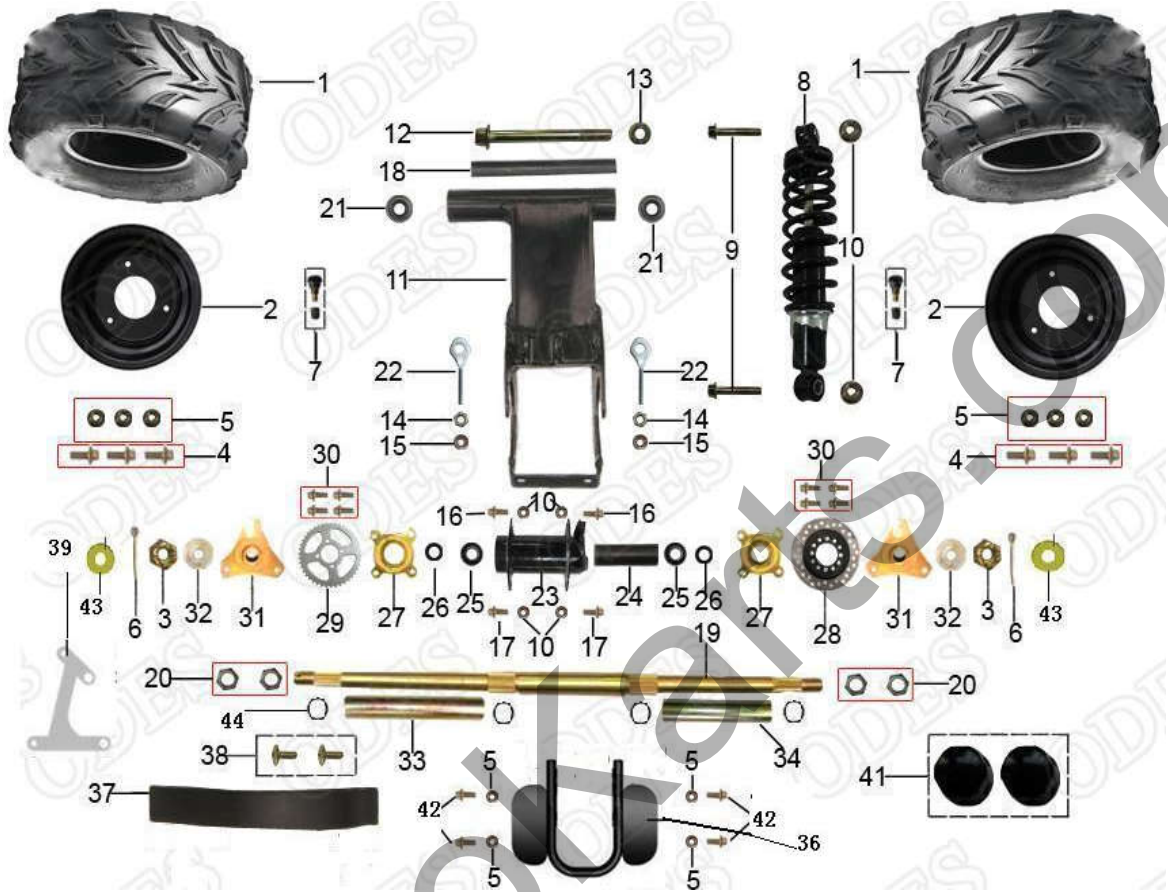




#### 4.前悬挂系统/Front Suspension

图号 Item No.	ERP 配件编号 ERP NO	中文名称 Chinese name	英文名称 English name	型号 Specification
1	10805030150	轮胎	Tyre	145/70-6
	10805030160	轮辋	Rim	6寸
	10805030250	轮胎总成 (左)	Left hand tyre with rim	145/70-6
	10805030260	轮胎总成 (右)	Right hand tyre with rim	145/70-6
	10805030290	轮胎总成 (左) (轮辋黄色)	Left hand tyre with yellow rim	145/70-6
	10805030300	轮胎总成 (右) (轮辋黄色)	Right hand tyre with yellow rim	145/70-6
3	10805030050	气门咀	Air vavle	
4	10801010030	前减震器 (黑色)	Front shock (black)	L=270
5	01254100452	六角法兰螺栓	Bolt hex-flange	M10×45×1.25
6	04622100022	六角法兰防松螺母	Lock nut hex-flange	M10×1.25
7	10801060020	前上摆臂	Upper A arm	
8	10801080040	前下摆臂	Lower A arm	
9	01254101802	六角法兰螺栓	Bolt hex-flange	M10x180x1.25
10	10801070010	摆臂内衬套	Steel bushing for A arm	
11	10801070020	摆臂尼龙套	Nylon bushing for A arm	
12	10801070030	摆臂防尘盖	Dust cover for A arm	

13	10805010020	羊角轴主销轴	Kingpin for knuckle	
14	10805010030	羊角轴主销轴减震套	Bushing for kingpin	
15	10805010000	羊角轴 (左)	Left hand Knuckle	
16	10805020000	羊角轴 (右)	Right hand knuckle	
17	01254100702	六角法兰螺栓	Bolt hex-flange	M10X70X1.25
18	01254100502	六角法兰螺栓	Bolt hex-flange	M10x50x1.25
19	04612400022	六角法兰防松螺母	Lock nut hex-flange	M10x1.5
20	10805010040	羊角轴连接板	Connecting plate for Knuckle	
21	10805010050	羊角轴内衬管	Inner bushing for knuckle	L=49.5mm
22	10806070000	前鼓刹 左	Left hand drum	
23	10806070010	前鼓刹 右	Right hand drum	
24	04722140022	开槽螺母	Castle nut	M14×1.5
25	04612080022	六角法兰防松螺母	Lock nut hex-flange	M8
26	05011300252	开口销	Cotter pin	φ3.0x25
27	10805030020	防尘碗	Dust cover	
28	10805030170	轮胎防尘铁碗	Steel dust cover	
29	06219163602	平垫	Flat washer	φ16xφ36x3

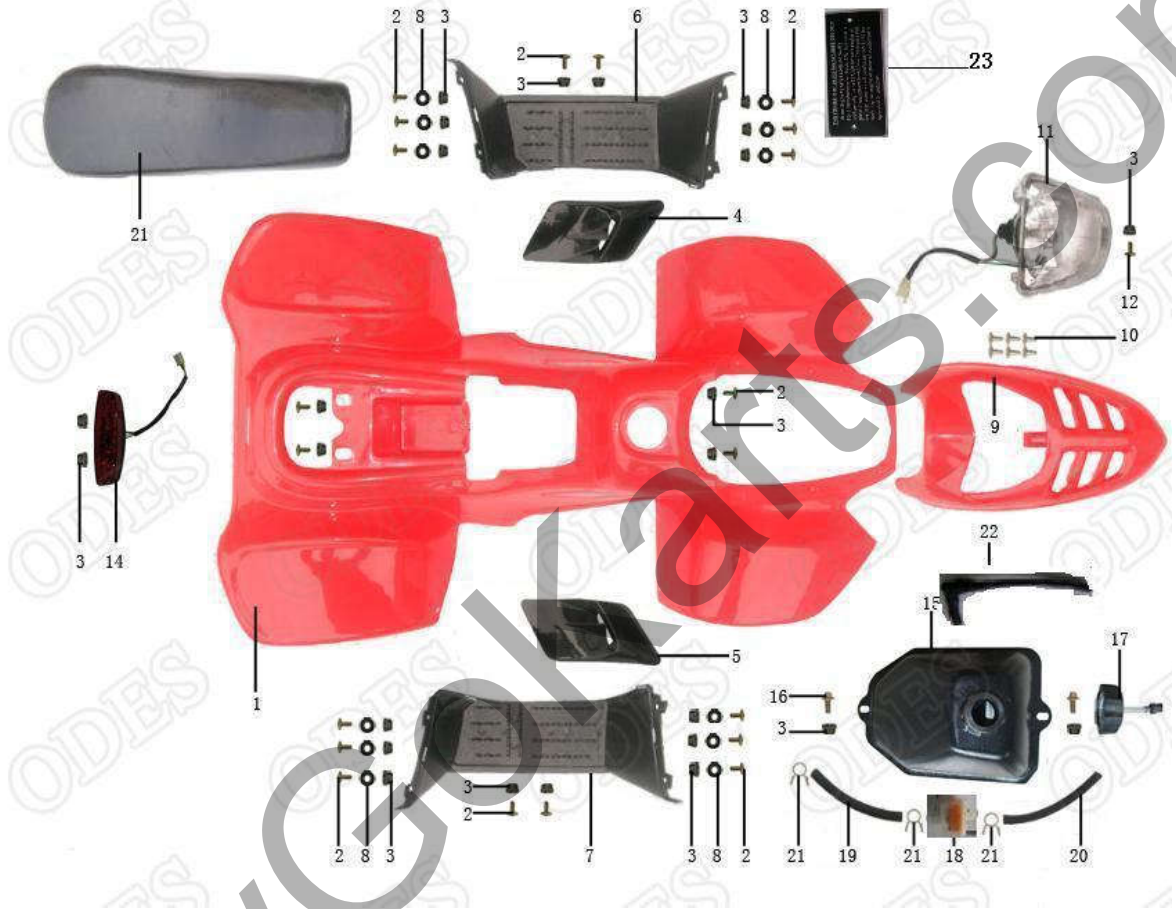


5.后悬挂 Rear Suspension				
图号 Item No.	ERP 配件编号 ERP NO	中文名称 Chinese name	英文名称 English name	型号 Specification
1	10805030150	轮胎	Tyre	145/70-6
2	10805030160	轮毂	Rim	6寸
3	04722160022	开槽螺母	Castle nut	M16×1.5
4	01214080202	六角法兰螺栓	Bolt hex-flange	M8x20
42	01214080162	六角法兰螺栓	Bolt hex-flange	M8x16
5	04612080022	六角法兰防松螺母	Lock nut hex-flange	M8

6	05011300252	开口销	Cotter pin	φ3.0x25
7	10805030050	气门咀	Air vavle	
8	10801020020	后减震（白色）	Rear shock(white)	L=250
9	01254100452	六角法兰螺栓	Bolt hex-flange	M10×45×1.25
10	04622100022	六角法兰防松螺母	Lock nut hex-flange	M10×1.25
11	10808140000	后平叉	Rear fork	
12	01254121902	六角法兰螺栓	Bolt hex-flange	M12x190x1.25
13	04622120022	六角法兰防松螺母	Lock nut hex-flange	M12x1.25
14	04212080022	六角螺母	Hex nut	M8
15	04112080022	六角法兰螺母	Nut hex-flange	M8
16	01264100202	六角法兰螺栓	Bolt hex-flange	M10x20x1.25
17	01264100252	六角法兰螺栓	Bolt hex-flange	M10x25x1.25
18	10801140010	后平叉内衬管	Housing for rear fork	
19	10801140000	后大轴	Rear axle	L=610mm
20	04212220022	六角螺母	Hex nut	M22
21	09160006001	轴承	Bearing	6001
22	10801140100	链条调节器	Chain tightener	
23	10801140210	后轴套	Rear axle housing	

24	10801140220	后轴套内衬管	Inner tubes	
25	09160006205	轴承	Bearing	6205
26	11010032528	油封	Seal	32x52x8
27	10803060000	链轮花键套	Spline housing for chain	
28	10806010030	后碟刹盘	Rear brake disc	
29	10803010000	大链轮	Sprocket	420/37
30	01214080162	六角法兰螺栓	Bolt hex-flange	M8x16x1.25
31	10801040000	后驱动盘	Rear hub	
43	06219163602	平垫	Flat washer	φ16xφ36x3
32	10805030170	轮胎防尘铁碗	Dust cover	
33	10801140230	后轴保护管 (长)	Tube for rear axle(short length)	
44	11020023150	O型圈	O-ring	φ23xφ1.5
34	10801140240	后轴保护管 (短)	Tube for rear axle(short length)	
36	10801140120	链轮底护罩	Bottom cover for chain	
37	10810180000	链轮防护罩	Chain cover	
38	03114060142	十字盘头螺钉	Phillips head screw	M6×14
39	12901140280	链盒保护支架	Protection plate for chain	
41	10805030020	防尘碗	Dust cover	

42	10801020010	后减震器（黑色）	Rear shock(black)	
	10801020080	后减震器（苹果绿）	Rear shock(apple green)	



**6. 塑料件/Body And Accessories**

图号 Item No.	ERP 配件编号 ERP NO	中文名称 Chinese name	英文名称 English name	型号 Specification
	10810202160	塑料件（毛坯）	Plastic cover without painting finish	
	10810200220	塑料件 红色	Plastic cove (Red)	
	10810200030	塑料件 黄色镶黑边	Plastic cover(yellow with black liner)	

	10810200300	塑料件 黑蜘蛛	Plastic cover (black spider)	
	10810200310	塑料件 红蜘蛛	Plastic cover(red spider)	
	10810200620	塑料件 酒红镶黑边	Plastic cover(burgundy with black liner)	
	10810200320	塑料件 黄枫叶	Plastic cover (yellow camo)	
	10810200330	塑料件 军绿迷彩	Plastic cover(green camo)	
	10810200340	塑料件 绿枫叶	Plastic cover(green camo)	
	10810200230	塑料件 橙色	Plastic cover(orange)	
	10810200240	塑料件 蓝色	Plastic cover(blue)	
	10810200390	塑料件 粉红迷彩铁丝网	Plastic cover(pink camo with net)	
1	10810200400	塑料件 军绿迷彩铁丝网	Plastic cover(gren camo with net)	
	10810200410	塑料件 酒红	Plastic cover(burgundy)	
	10810200450	塑料件 蓝色(镶黑边)	Plastic cover(blue with black liner)	
	10810200460	塑料件 绿色(镶黑边)	Plastic cover (green with black liner)	
	10810200350	塑料件 蓝蜘蛛	Plastic cover (blue spider)	
	10810200270	塑料件 黑色	Plastic cover(black)	
	10810200280	塑料件 白枫叶	Plastic cover(white camo)	
	10810200550	塑料件 绿树叶(镶黑边)	Plastic cover(green camo with black liner)	
	10810200000	塑料件 黄色	Plastic cover (yellow)	

	10810200420	塑料件 紫色铁丝网	Plastic cover(voilet camo with net)	
	10810200360	塑料件 碳纤维	Plastic cover(carbon fibre)	
	10810200290	塑料件 粉红迷彩	Plastic cover(pink camo)	
	10810200260	塑料件 浅莲红	Plastic cover (fuchsia pink)	
2	03114060162	十字盘头螺钉	Phillips head screw	M6x16
3	04612060022	六角法兰防松螺母	Lock nut hex-flange	M6
4	10810200010	左侧板	Left hand panel	
5	10810200020	右侧板	Right hand panel	
6	10810080010	脚踏板 (左)	Left hand footrest	
7	10810080020	脚踏板 (右)	Right hand footrest	
8	10914110060	橡胶垫	Rubber washer	φ7xφ20x2
	10810202170	前头罩盖板 (毛坯)	Front top cover without painting finish	
	10810200640	前头罩盖板 红色	Front top cover(red)	
	10810200720	前头罩盖板 黑蜘蛛	Front top cover(black spider)	
	10810200730	前头罩盖板 红蜘蛛	Front top cover(red spider)	
	10810200740	前头罩盖板 黄枫叶	Front top cover	
	10810200750	前头罩盖板 军绿迷彩	Front top cover(green camo)	
	10810200760	前头罩盖板 绿枫叶	Front top cover(green leave)	



9	10810200650	前头罩盖板 橙色	Front top cover(orange)	
	10810200660	前头罩盖板 蓝色	Front top cover(blue)	
	10810200810	前头罩盖板 粉红迷彩铁丝网	Front top cover(pink camo with net)	
	10810200820	前头罩盖板 军绿迷彩铁丝网	Front top cover(green camo with net)	
	10810200830	前头罩盖板 酒红	Front top cover(burgundy)	
	10810200770	前头罩盖板 蓝蜘蛛	Front top cover(blue spider)	
	10810200690	前头罩盖板 黑色	Front top cover(black)	
	10810200700	前头罩盖板 白枫叶	Front top cover(white camo)	
	10810200050	前头罩盖板 黄色	Front top cover(yellow)	
	10810200670	前头罩盖板 紫色铁丝网	Front top cover(voilet camowith net)	
	10810200780	前头罩盖板 碳纤维	Front top cover(carbon fibre)	
	10810200710	前头罩盖板 粉红迷彩	Front top cover (pink camo)	
	10810200680	前头罩盖板 浅莲红	Front top cover(fuchsia pink)	
10	03714400102	自攻钉	Self tapping screw	ST4.0x10
11	10809060000	前大灯	Headlight	
12	03114060142	十字盘头螺钉	Phillips head screw	M6x14
14	10809070000	后尾灯	Tail light	
15	12904010000	油箱	Fuel tank	

16	01224060162	六角法兰螺栓	Bolt hex-flange	M6x16
17	12904020000	油箱盖	Fuel tank cap	
18	10804060000	汽油过滤器	Gas filter	
19	10404040480	油管 (EPA)	Fuel line (135mm length)	∅ 8x∅ 4.5x L=135mm
20	10404040480	油管 (EPA)	Fuel line (120mm length)	∅ 8x∅ 4.5x L=120mm
21	10404070010	单钢丝卡箍	Clamp	8.5mm-9.5mm
22	1290206000	油气分离器	Gas/air separator	





7.打包附件/Packing				
图号 Item No.	ERP 配件编号 ERP NO	中文名称 Chinese name	英文名称 English name	型号 Specification
1	10414030000	气压表	Air pressure gague	
2	10814040000	CD	CD	
3	10413030040	合格证 美标	Hangtag of certification	
4	10813030060	EPA排放吊牌	Hangtag of EPA emission	
5	10814050010	说明书	Owers manual	
6	10814050020	爆炸图	Parts catalog	
7	10409090020	电瓶减震垫	Rubber washer for battery	30x60x6
8	10813030010	警示语吊牌 12岁	Waring hangtag (for 12 year)	
9	10814070000	打包文件	Files for vehicle use	
10	10413030030	ASI吊牌	ASI hangtag	
11	10413030070	ATV通用吊牌	hangtag	
12	10813010010	警示语	Warning	
13	10813020090	EPA排放铭牌 (2014年带CARB)	EPA emission plate	110型
14	10413020050	行动计划铝铭牌	ANSI plate	
15	10813020010	车架号铭牌	VIN plate	LZ110-2
16	10814060010	包装铁架 上盖	Top cover of crate	
17	10814060020	包装铁架 底盘	Bottom of crate	

18	10814070030	防尘塑料罩	Plastic film	
19	10814060030	包装纸箱	Packing box	
20	10814070130	照片 黑蜘蛛	Vehicle pictures (black spider)	
21	10814070480	色标 红色	Color signal	
22	10813040100	贴花 (老虎头)	Sticker of tiger image	
	10813040140	110cc贴花	Stickers of 110cc	
	10813040160	110-2贴花	Stickers of 100-2	