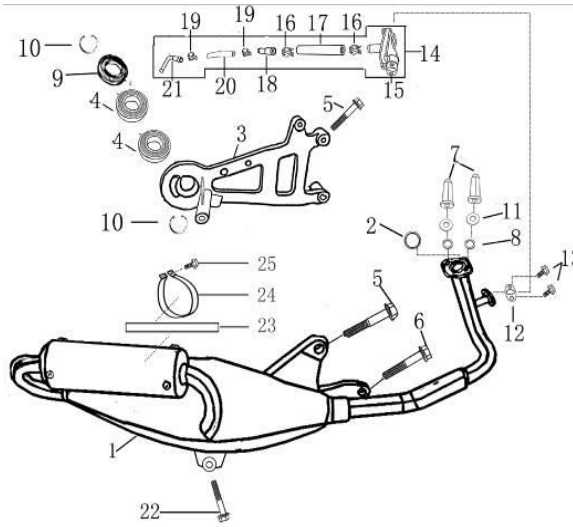


图1

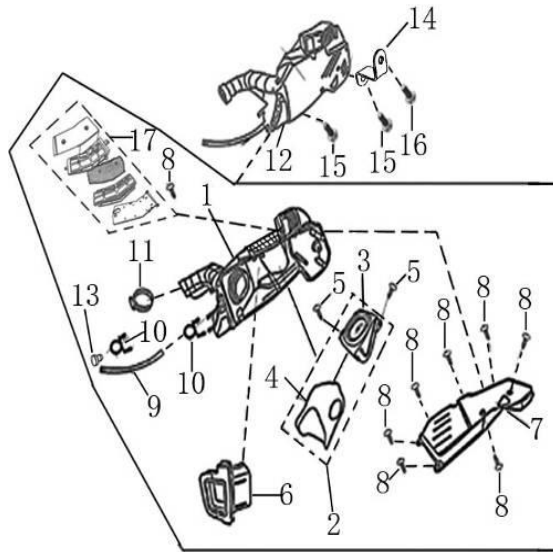
Draft 1



NO.	Part NO.	NEW NO.	Old NO.	Description	Feature
1	1100201-1	[701280	701280	Exhaust Muffler Assy (E9 KREIDLER BY)	
2	1100402-1	[700587	700882	Washer, Exhaust Outlet	
3	1100205	[701978	700886	Connecting Plate, Engine	
4	2100105-2	[700209	700209	Bearing,6203-2RS	
5	9050608055-1	[700111	700114	Flange Bolt, M8×55	Dark Green
6	9050608080-1	[703833	700114	Flange Bolt, M8×80	Dark Green
7	8010208025-1	[700080	700079	Cap Nut, M8×25	Dark Green
8	9150206001-1	[700015	700014	Spring Washer, φ8	Dark Green
9	2100105-1	[700297	701351	Oil Seal, 25-40-5	
10	2100105-3	[703815	703815	Elastic hoop-40	
11	9181308016-1	[700033	700033	Plain Washer, φ8×φ16	Dark Green
12	2210001-10	[701318		Paper Gasket	
13	9050606012-1	[700127	700127	Flange Bolt, M6×12	Dark Green
14	1210001-2	[701552	701552	Pev Recycling Gases Valve Assy	
15	2210001-11	[701553	701553	Pev Recycling Gases Valve	
16	2210001-12	[701554	701554	Clip(φ19)	
17	2210001-13	[701555	701555	Pipe(φ13×φ20)	
18	2210001-14	[701556	701556	Rotate connection	
19	2210001-15	[701557	701557	Clip(φ14)	
20	2210001-16	[701558	701558	Pipe(φ10×φ15)	
21	2210001-17	[701559	701559	Transition elbow	
22	9050610050-1	[700166		Flange Bolt, M10×50	Dark Green
23	2100201-4	[701916			
24	2100201-3	[701915			
25	9050608012-2	[703886			Chrome

图2

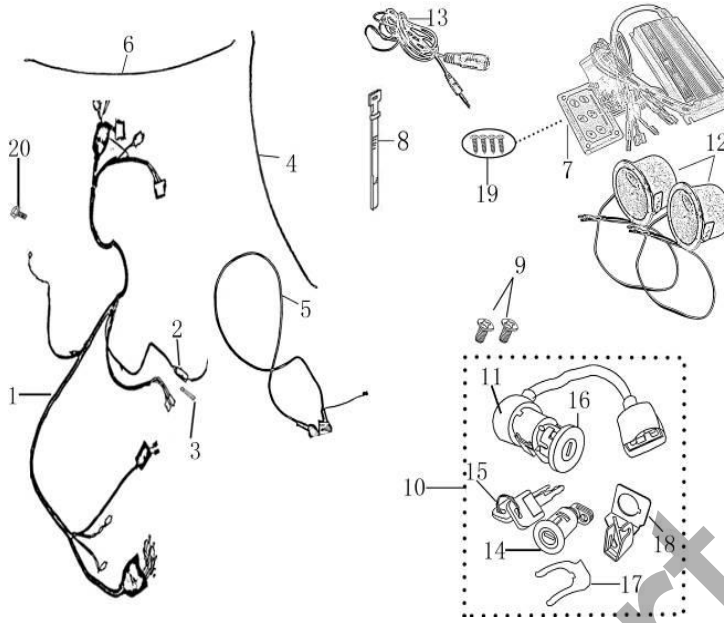
Draft 2



NO.	Part NO.	NEW NO.	Old NO.	Description	Feature
1	2200301-1	[700887	700887	Body, Air Cleaner	
2	2200501-2	[700888	700888	Filter Core Assy	
3	2200501-3	[700889	700889	Filter Core	
4	2200301-2	[700890	700890	Filter Core (Sponge)	
5	9111748012-1	[700053	700053	Screw, Tapping ST4.8×12	Dark Green
6	2200501-5	[700891	700891	Air Inlet Mouth	
7	2200801-1	[701274	700892	Cover, Air Cleaner(E9 JY152 KREIDLER)	
8	9111748016-1	[700054	700054	Screw, Tapping ST4.8×16	Dark Green
9	2200501-7	[700893	700893	Overflow Oil Tube	
10	2200401-7	[700308	700314	Clip,φ10	
11	2200101-9	[701363	700313	Fixing Ringφ(35-51mm)	white zinc
12	1200801-1	[701275	700894	Air Cleaner Assy(E9 JY152 KREIDLER)	
13	2200401-16	[701837	700307	Plug Pipe	
14	1030215-1	[700985	700895	Bracket, Air cleaner	
15	9050606025-1	[700133	700135	Flange Bolt, M6×25	Dark Green
16	9050606016-1	[700129	700129	Flange Bolt, M6×16	Dark Green
17	2200501-9	[700963	700868	Air Inlet Mouth Filtration net	

图3

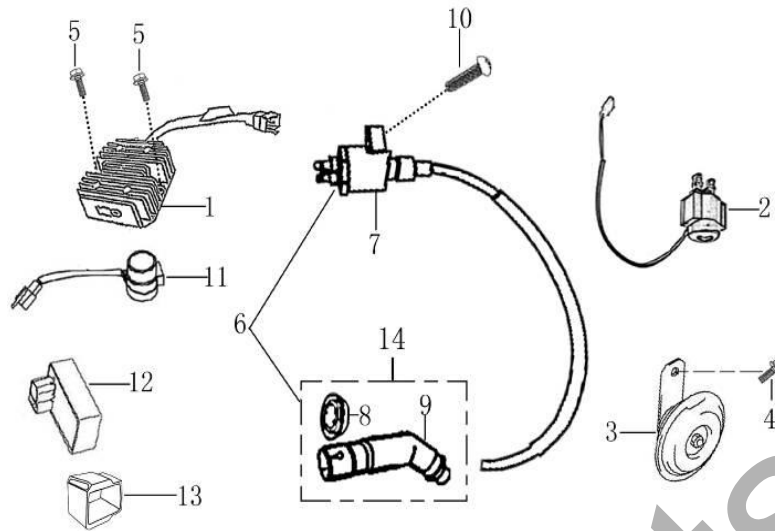
Draft 3



NO.	Part NO.	NEW NO.	Old NO.	Description	Feature
1	1070801-2	[702850	702850	Wire Harness	
2	2070401-1	[700541	700541	Fuse	
3	2070401-2	[700317	700317	Fuse (15A)	
4	1070807-2	[701908	700542	Cable, Grounding, (500mm4mm ²)	
5	1070803-2	[700590	702704	Cable, Positive Pole,(850mm4mm ²)	
6	1070804-1	[701345	700542	Cable,Grounding, (500mm4mm ²)	
7	1060009-1	[702707	702707	MP3 Radio	
8	1070406	[700318	700318	Ties	
9	2060009-1	[703810	703810	Bolt, M6×8	Dark Green
10	1140801-1	[702706	702706	Lock Set	
11				Ignition Switch Assy	
12	1060010-1	[702708	702708	sound box	
13	1060011-1	[702709	702709	extending line for MP3	
14				Seat Lock	
15			702798	Key	
16	2140801-4	[702862	700322	Cap.Switch	
17	2140801-5	[701533	702022	lock catch	
18	2140801-6	[701341	702018	Seat Lock Bracket	
19	9111730008-2	[703891		Screw, Tapping ST3.0×8	
20	9050606012-1	[700127	700127	Flange Bolt,M6×12	Dark Green

图4

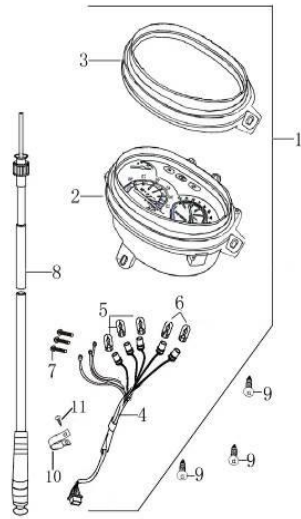
Draft 4



NO.	Part NO.	NEW NO.	Old NO.	Description	Feature
1	1060002-2	[700941	700331	Rectifier (AC-8)	
2	1060006-1	[700334	700334	Starter Relay	
3	1060007-1	[700333	700333	Horn DL127(IE4000113)12V1.5A	
4	9050606012-1	[700127	700127	Flange Bolt, M6×12	Dark Green
5	9050606016-1	[700129		Flange Bolt, M6×16	Dark Green
6	1060005-2	[701684	701684	Ignition Coil Assy	
7	2060005-3	[700335	700335	Ignition Coil	
8	2060005-6	[700339	700339	Protection, spark plug cap	
9	2060005-5	[700338	700338	Cap, Spark plug	
10	9101506020-1	[700073	700074	Screw, M6×20	Dark green
11	1060001-1	[700342	700342	Winker Relay	
12	1060003-6	[700942	700898	CDI	
13	1060004-1	[701535		Rubber cover, CDI	
14	2060005-4	[700336		Adapter, Hightention, assy	

图5

Draft 5

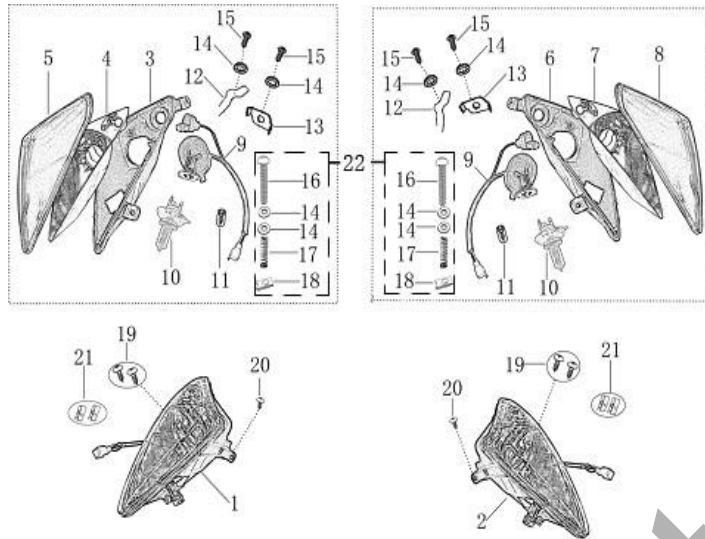


NO.	Part NO.	NEW NO.	Old NO.	Description	Feature
1	1160801-1	[702853	702853	Meter Comp.(0-120Km/h)	
2	2160801-1	[702854	702854	Meter	
3	2160801-3	[701330		Cover ,Meter	
4	2160801-4	[701262	701034	Wire Cable, Meter	
5	2070402-2	[702910	700347	Bulb 12V W3W	
6	2070402-1	[702911	700347	Bulb 12V W3W (Black point)	
7	9101503022-3	[700243	700243	Screw, M3×22	Color zinc
8	1080201-1	[701261	701035	Cable, Odometer(950mm)	
9	9111748016-1	[700054	700054	Screw, Tapping ST4.8×16	Dark Green
10	2160801-6	[702372			
11	9111742010-4	[703855	700048	Screw, Tapping ST4.2×10	white zinc

图6

前大灯 (E4 113R-0014136/E4 50R 0014136)

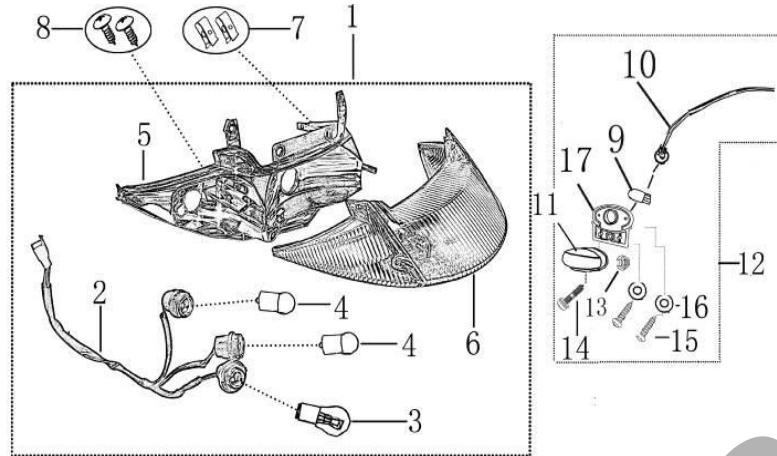
Draft 6



NO.	Part NO.	New. No	Old NO.	Description	Feature
1	1150801-1	[702713	702713	L. Headlight Assy(E4 113R-0014136)	
2	1150801-2	[702718	702718	R. Headlight Assy(E4 113R-0014136)	
3	2150801-1	[702715	702715	Lens, L. Headlight	
4	2150801-3	[702716	702716		
5	2150801-5	[702717	702717		
6	2150801-2	[702719	702719	Lens, R. Headlight	
7	2150801-4	[702720	702720		
8	2150801-6	[702721	702721		
9	2150801-7	[702714	702714	Wire Cable, Headlight	
10	2150801-8	[702905	700730	Bulb(HS1 12V 35/35W)	
11	2070402-2	[702910	701382	Bulb(12V W3W)	
12	2150801-9	[701387	702033	Clip, Light Holder	
13	2150801-10	[701384	701384	Clip, Light Holder	
14	9161305010-4	[703834	700275	Plain Washer, $\phi 5 \times \phi 10$	white zinc
15	9111748012-1	[703868		Screw, Tapping ST4.8 \times 12	white zinc
16	9101504050-4	[703887			white zinc
17	2150801-11	[702381	702034	Spring	white zinc
18	8010505001-1	[703888			white zinc
19	9111748016-1	[700054	700054	Screw, Tapping ST4.8 \times 16	Dark green
20	9111742012-1	[700049	700049	Screw, Tapping ST4.2 \times 12	Dark green
21	8011042001-1	[700222	700222	Clamp, 4.2mm	Dark green
22	2150801-12	[702879			

图7

Draft 7



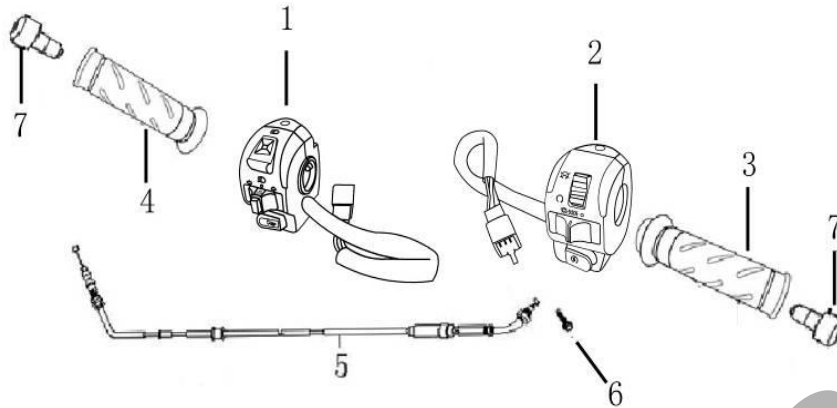
NO.	Part NO.	New No.	Old NO.	Description	Feature
1	1010819-1	[702722	702722	Rear Light Assy(E4 50R 0014051)	
2	2010819-1	[702723	702723	Wire Cable, Rear Light	
3	2010819-2	[702912	700361	Bulb(12V/P21/5W)	
4	2010817-3	[702907	700362	Bulb, (12V,RY 10w)	Orange
5	2010819-3	[702724	702724	Body,Rear Light	
6	2010819-4	[702725	702725	Rear Light Cover	
7	8011042001-1	[700222	700222	Clamp, 4.2mm	Dark green
8	9111742012-1	[700049		Screw, Tapping ST4.2×12	Dark green
9	2010857-3	[702913	701382	Bulb,12V W5W	
10	2010857-2	[702542	702542	Wire Cable,Rear Registration Plate Light	
11	2010857-4	[702541	702541	Lens, Rear Registration Plate Light	
12	1010857-1	[702544	702544	Rear Registration Plate Light Assy	
13	9070505001-1	[700101	700101	Flange Nut, M5	Dark green
14	9131405016-1	[700193		Bolt ,M5×16	Dark Green
15	9111730016-4	[700287		Screw, Tapping ST3.0×16	white zinc
16	9161304008-4	[703892		Plain Washer, φ4×φ8	white zinc
17	2010857-1	[702687		Holder,Rear Registration Plate Light	

图8

操纵手柄

Draft 8

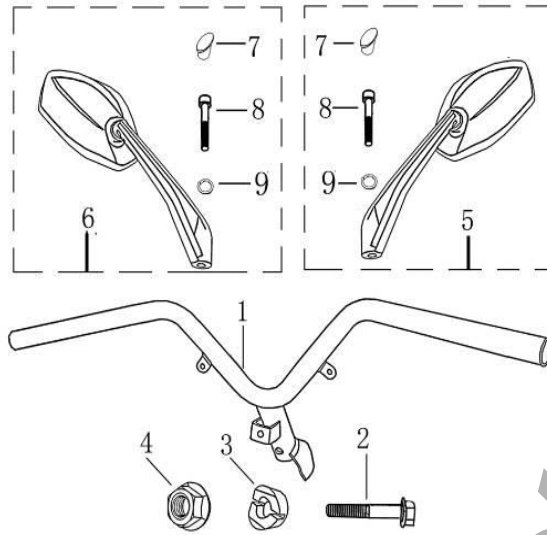
HANDLEBA



NO.	Part NO.	NEW NO.	Old NO.	Description	Feature
1	1050307-1	[701046	701046	Switch Assy, L. Handlebar	
2	1050308-2	[701331	701317	Switch Assy, R. Handlebar(With Power off Switch)	
3	1180302-1	[701809	700740	Rubber Grip, R. Handle(Throttle Control)	
4	1180401-2	[701807	700741	Rubber Grip, L. Handle	
5	1080202-1	[701285	701285	Throttle Cable	
6	9131405012-1	[700192	700065	Screw, M5×12	Dark Green
7	1180603-1	[701813	700746	Blace plate(irom)	Chrome

图9

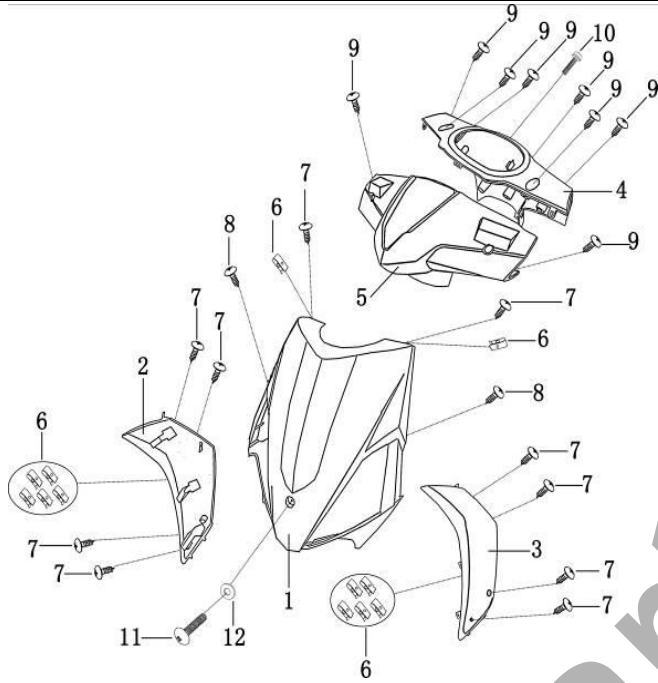
Draft 9



NO.	Part NO.	New. No	Old NO.	Description	Feature
1	1030804	[702863	701051	Handle Comp	
2	9050610050-1	[700166	700166	Flange Bolt, M10×50	Dark Green
3	8011201001-1	[702367	700752	Lock Bush	Dark green
4	9080710001-1	[700097	700097	Flange Lock Nut, M10	Dark green
5	1210805-1	[702726	702726	Rear View Mirror, L.(QY190/L E11 001168)	
6	1210806-1	[702727	702727	Rear View Mirror, R.(QY190/L E11 001168)	
7	2210406-1	[702728	702728		
8	9091208035-3	[700273		Inner Hex bolt M8×35	Color zinc
9	9150206001-1	[700015	700015	Spring Washer, φ8	Dark Green

图10
Draft 10

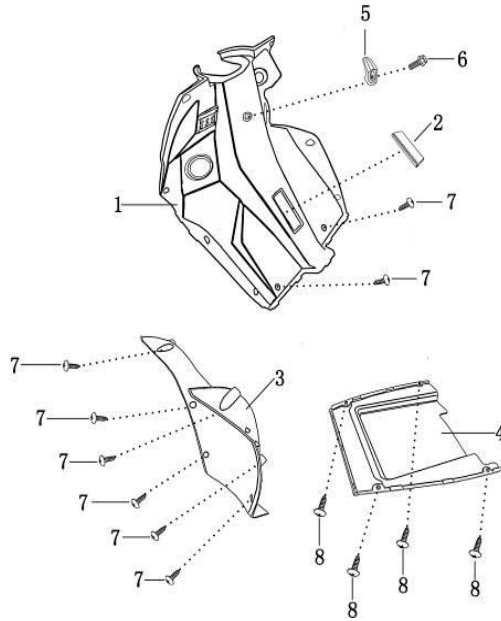
前面板/



NO.	Part NO.	New. No	Old NO.	Description	Feature
1	1020802	[702875	702730	Front Cover,red(125CC)	
2	1020806	[702876	702732	Front Right Cover Red,(125CC)	
3	1020807	[702877	702734	Front Left Cover Red(125CC)	Dark Green
4	1010801	[702735	702735	Case, Meter	
5	1020801	[702737	702737	Case, Front Meter,red	
6	8011042001-1	[700222	700222	Clamp, 4.2mm	Dark Green
7	9111748016-1	[700054	700054	Screw, Tapping ST4.8×16	Dark Green
8	9111742016-1	[700050		Screw, Tapping ST4.2×16	Dark Green
9	9111742012-1	[700049	700049	Screw, Tapping ST4.2×12	Dark Green
10	9131405016-1	[700193	700065	Bolt, M5×16	Dark Green
11	8010806025-2	[700042		Screw, M6×25	
12	1120814	[702335		Rubber Plain φ6×φ20×3	

图11
Draft 11

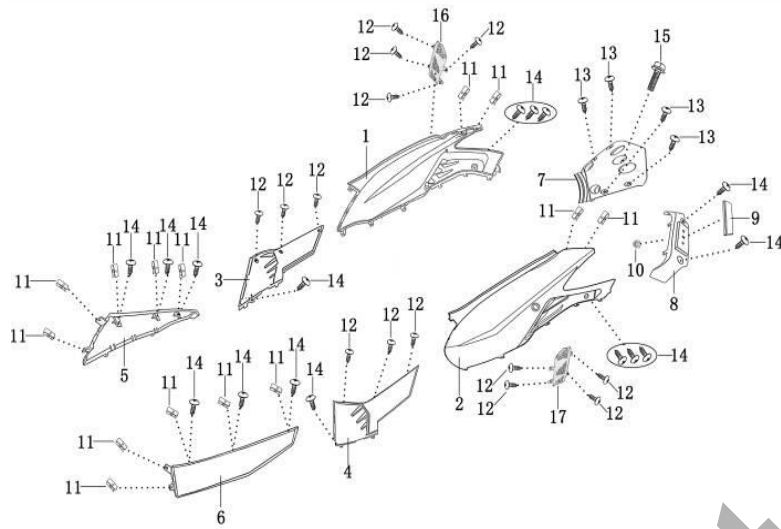
工具箱



NO.	Part NO.	New. No	Old NO.	Description	Feature
1	1010802	[702738	702738	Front Luggage Carrier	
2	1010203	[701332	702739	Cover, Chassis No.	
3	1010812-1	[702740	702740	Front Part,Frame	
4	1010812-2	[702741	702741	Fender,Frame Body	
5	1010804	[702742	702742	Hook, Helmet	
6	9050606025-1	[700133		Flange Bolt, M6×25	Dark Green
7	9111742016-1	[700054	700054	Screw, Tapping ST4.8×16	Dark Green
8	9111742012-1	[700049	700049	Screw, Tapping ST4.2×12	Dark Green

图12
Draft 12

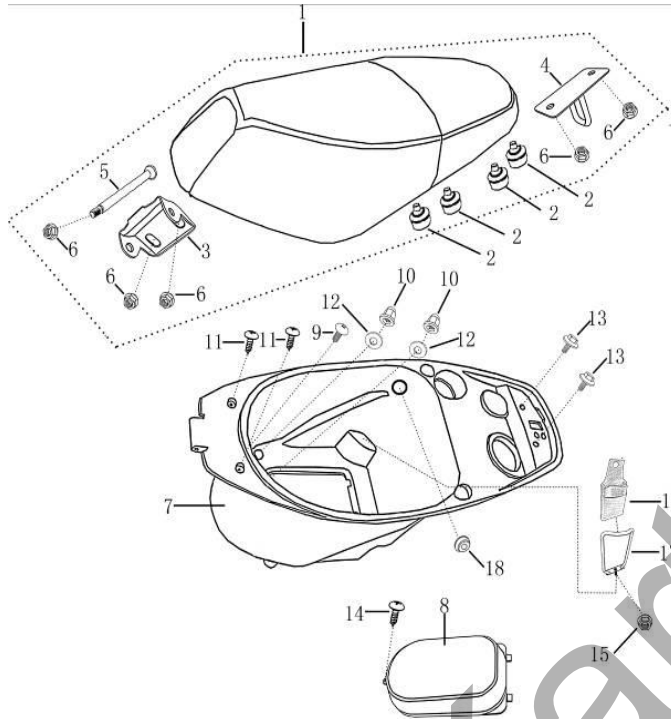
车体护材



Draft	Part NO.	New No.	Old NO.	Description	Feature
1	1020810	[702744	702744	L. Decorating Cover,red	
2	1020809	[702746	702746	R. Decorating Cover,red	
3	1020835	[702748	702748	R. Decorating Plate red	
4	1020834	[702750	702750	L. Decorating Plate red	
5	1020817	[702752	702752		
6	1020816	[702754	702754		
7	1020811	[702756	702756	Rear Central Decorating Cover red	
8	1020808	[702758	702758	Rear Shield red	
9	1010003-1	[700586		Rear square Reflecting Device	
10	9070505001-1	[700101		Flange bolt M5	Dark Green
11	8011042001-1	[700222	700222	Clamp, 4.2mm	Dark Green
12	9111742012-1	[700049	700049	Screw, Tapping ST4.2×12	Dark Green
13	9111748012-1	[700053		Screw, Tapping ST4.8×12	Dark Green
14	9111748016-1	[700054	[700054	Screw, Tapping ST4.8×16	Dark Green
15	9050608020-1	[700120		Flange Bolt, M8×20	Dark Green
16	1010826	[702799	702799	Right Intake Fender	
17	1010825	[702800	702800	Left Intake Fender	

图13
Draft 13

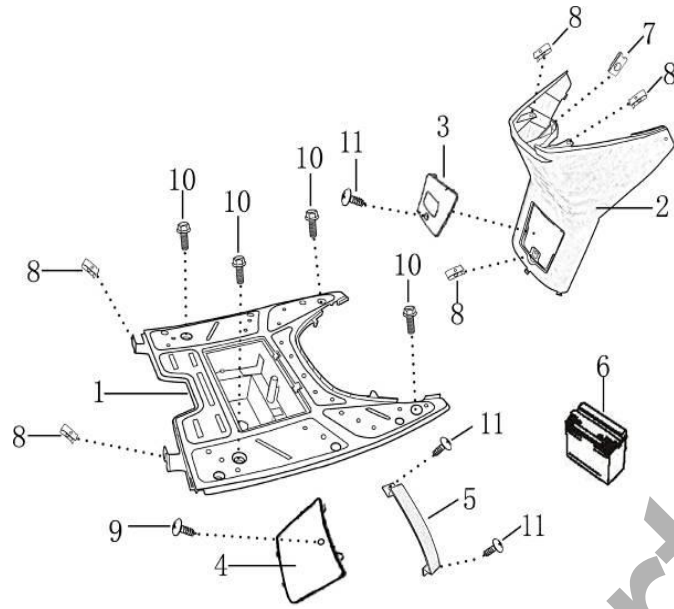
座垫/杂



NO.	Part NO.	New No.	Old NO.	Description	Feature
1	1130801-1	[702759	702759	Seat Assy(include 3,4,5,6,19/3#)	
2	2130801-4	[702880		Rubber washer,Seat	
3	2130801-1	[702761	702761	Rocker Arm, Seat	
4	2130801-2	[702762	702762		
5	2130801-3	[702763	702763	Axle Pin, Seat (M6×65-φ7×52)	
6	9070506001-3	[703812		Flange Nut, M6	Color zinc
7	1010808	[702764	702764	Luggage Cabinet	
8	1010809	[702765	702765	Inner Cap, Luggage Cabinet	
9	8010806016-1	[703814		Screw, M6×16	Dark green
10	8010206017-1	[700078		Cap Nut, M6×17	Dark green
11	9111748016-1	[700054	700054	Screw, Tapping ST4.8×16	Dark green
12	9170106018-1	[700025	700032	plain cushion φ6×φ18	Dark green
13	9120406012-1	[703840	700197	Bolt with Washer, M6×12	Dark green
14	9111742016-1	[700050		Screw, Tapping ST4.2×16	Dark green
15	9070506001-1	[700100	700100	Flange Nut, M6	Dark green
16	1120826	[702766	702766		
17	1120827	[702767	702767		
18	1120828	[702864			

图14
Draft 14

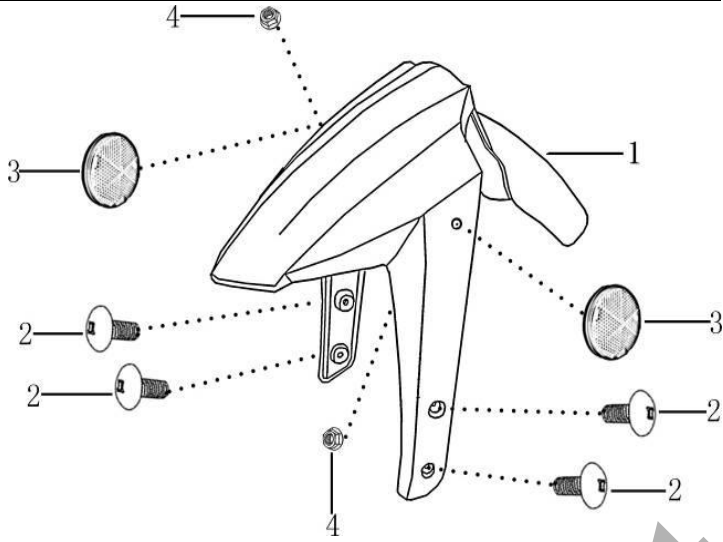
脚踏底材



NO.	Part NO.	New No	Old NO.	Description	Feature
1	1010805	[702768	702768	Footrest Base Panel	
2	1010810	[702794	702794	Front Cover, Luggage Cabinet	
3	1020833	[702795	702795	Cap, Front Cover, Luggage Cabinet	
4	1010807	[702796	702796	Cover, Battery	
5	1010853	[701277			
6	1210009-1	[700434	700434	Battery Assy 12V7AH	
7	8010506001-1	[703866		Square Clamp Nut M6	Dark Green
8	8011042001-1	[700222	700222	Clamp, 4.2mm	Dark Green
9	9111742016-1	[700050		Screw, Tapping ST4.2×16	Dark Green
10	9050606020-5	[703847		Flange Bolt, M6×20	
11	9111748016-1	[700054		Screw, Tapping ST4.8×16	Dark Green

图15
Draft 15

前泥板

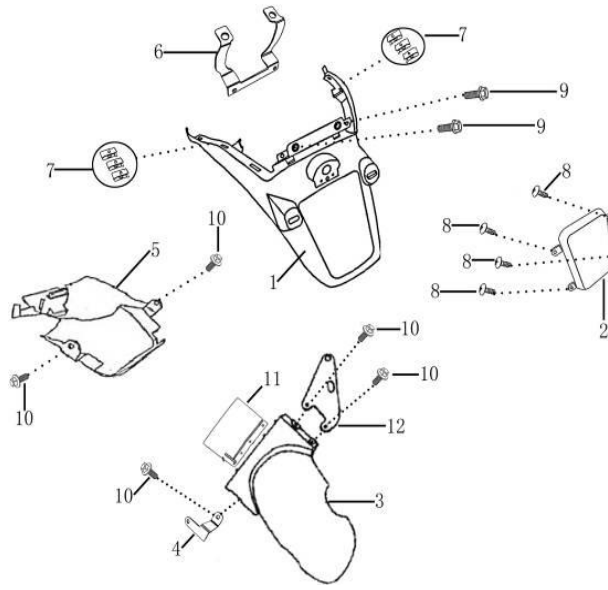


NO.	Part NO.	New NO.	Old NO.	Description	Feature
1A	1020805	[702770	702770		
2	8011806012-2	[703839		Screw, M6×12	Chrome
3	1010001-1	[700591		Side Retro Reflecting Device	
4	9070505001-1	[700101		Flange NutM5	Dark Green

FamilyGokarts.com

图16
Draft 16

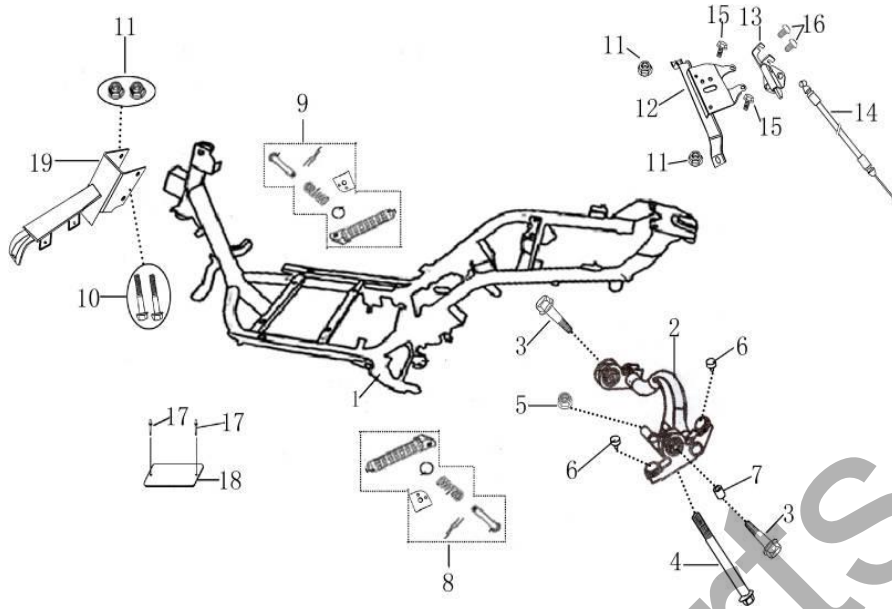
后轮挡泥



NO.	Part NO.	NEW No.	Old NO.	Description	Feature
1	1010813	[702771	702771	Rear Fender	
2	1020836	[702772	702772		
3	1010114	[701325	700792	Rear Mudguard, Rear Wheel	
4	1030213-1	[701871	700911	L. Bracket, Rear Mudguard	
5	1010852	[701093	701093		
6	1030841	[702804	702804	Bracket, Rear Fender	
7	8011042001-1	[700222	700222	Clamp, 4.2mm	Dark Green
8	9111742012-1	[700049	700049	Screw, Tapping ST4.2×12	Dark Green
9	9050606016-1	[700129	700129	Flange Bolt, M6×16	Dark Green
10	9120406012-1	[703840		Bolt with Washer, M6×12	Dark green
11	1120110-1	[700929	700929	Splash Fender	
12	1030114-1	[701870	700912	R. Bracket, Rear Mudguard	

图17
Draft 17

车架

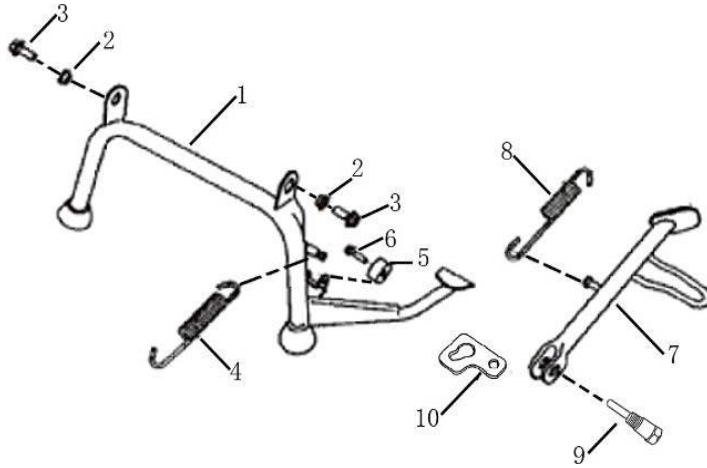


NO.	Part NO.	New NO.	Old NO.	Description	Feature
1	1030801-2	[702856	702856	Frame	
2	1030203-2	[701877	700914	Engine Mount	
3	9050610055-1	[700167	700167	Flange Bolt, M10×55	
4	9051610185-1	[700170	700170	Bolt, M10×185	Dark Green
5	9080710001-1	[700097	700097	Flange Lock Nut, M10	Dark green
6	1120224-1	[701337	700915	Cushioning Rubber, Engine Mount	
7	8011111018-1	[701854	701455	Bush, φ 11× φ 18×5.5	Dark green
8	1030231-1	[701101	701101	Left Footrest Comp.	
9	1030231-2	[701102	701102	Right Footrest Comp.	
10	9050606050-1	[700140		Flange Bolt, M6×50	Dark Green
11	9070506001-1	[700100	700100	Flange Nut, M6	Dark Green
12	1030807	[702777	702777		
13	1030808	[702778	702778		
14	1080804	[702779	702779	Cable, Seat Lock (280mm30mm)	
15	9050606012-1	[700127	700127	Flange Bolt, M6×12	Dark Green
16	9101506012-1	[700071	700071	Screw M6×12	Dark Green
17	9011032009	[700220	700220	Rivet, Statutory Inscription Plate	
18			702857	Statutory Inscription Plate	
19	1030818-2	[702869	702776	Bracket, Horn	

图18

主支架/

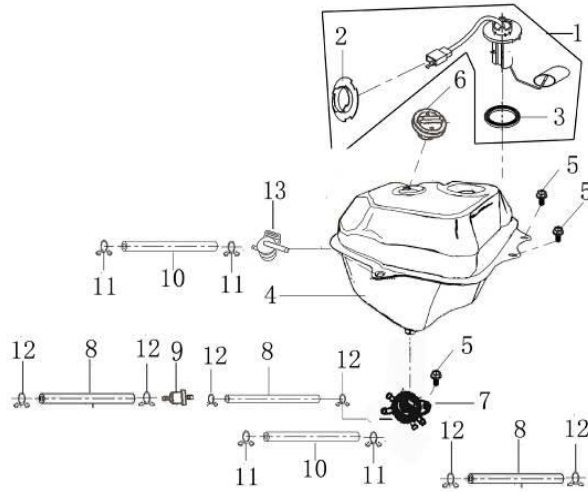
Draft 18



NO.	Part NO.	New No.	Old NO.	Description	Feature
1	1030205-2	[701875]	701292	Main Stand Assy (225mm)	
2	8011722002-1	[701852]	700918	T-Collar, Main Stand	
3	9050610025-1	[700161]	700161	Flange Bolt, M10×25	Dark Green
4	1110102-1	[701461]	701292	Spring, Main Stand(φ2.5×92mm)	Black
5	1120403-2	[701853]	700920	Retainer Rubber, Main Stand	
6	9050606030-1	[700135]	700135	Flange Bolt, M6×30	Dark Green
7	1030206-1	[701110]	701110	Side Stand Assy(220mm)	
8	1110103-1	[701876]	701111	Spring, Side Stand	Black
9	8011610008-1	[701112]		Bolt, Side Stand(Φ10×12×27-M8)	Dark Green
10	1030819	[700924]	700924	Sliding of auto return	

图19
Draft 19

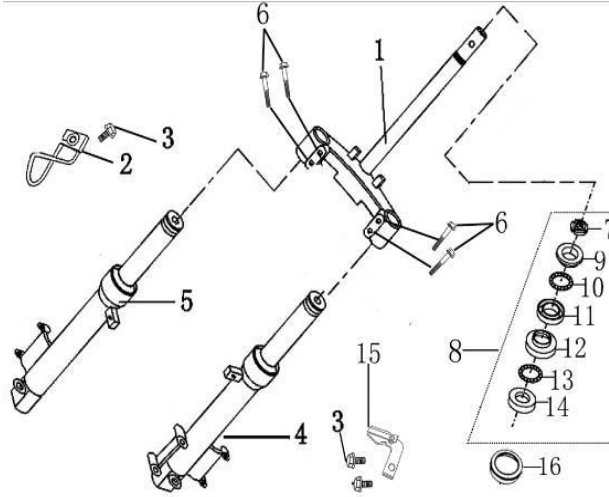
燃油箱



NO.	Part NO.	NEW NO.	Old NO.	Description	Feature
1	1170804-1	[701113	[701113	Fuel Level Sensor Comp.	
2	2170804-1	[701840	701114	Block Cap, Sensor	
3	2170804-2	[701839	701115	Oil Seal Gasket for Sensor	
4	1170801-1	[701116	701116	Fuel Tank Assy(with carbon tank)	
4A	1170801-2	[701326		Fuel Tank Assy(without carbon tank)	
5	9050606012-1	[700127		Flange Bolt, M6×12	Dark Green
6	1170809-1	[701864	701117	Cap Assy, Fuel Tank(without hole)	
6A	1170809-2	[701865		Cap Assy, Fuel Tank(with hole)	
7	1170405-1	[701855	700809	Fuel Valve Assy.(Automatic imbibition, Trident)	
8	1170406-1	[700466	[700466	Fuel Tube, $\phi 10 \times \phi 5$	
9	1170407-1	[700467	[700467	Fuel Filter	
10	1170406-2	[700469	[700469	Vacuum Air Tube, $\phi 7 \times \phi 4$	
11	1170408-1	[700308	[700308	Clip, Fuel Tube , $\phi 10(1mm)$	
12	1170408-2	[700470	[700470	Clip, $\phi 7(1mm)$	
13	1170402-1	[700545	[700545	Fuel Stop valve	

图20
Draft 20

方向柱/

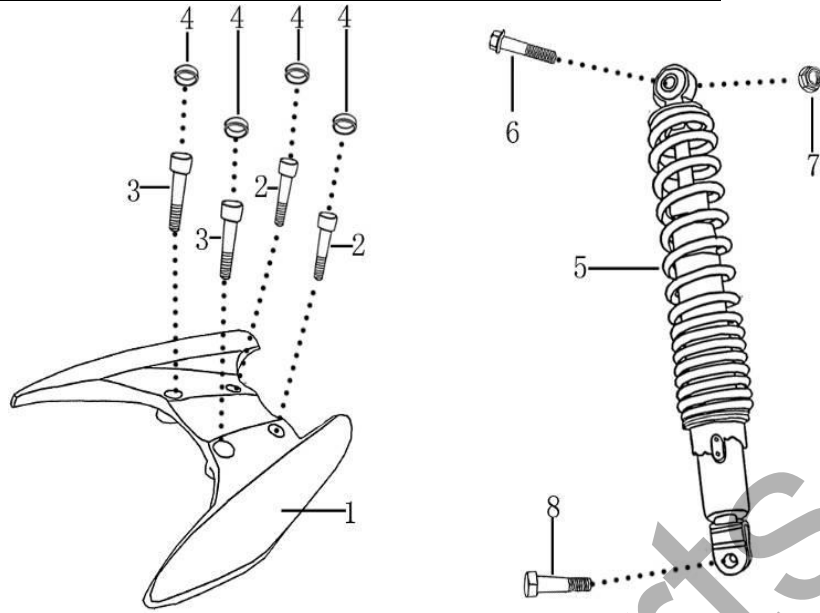


NO.	Part NO.	NEW NO.	Old NO.	Description	Feature
1	1030802	[701141]	[701141]	Lower Bridge Assy, Steer Stem	
2	1090406	[700598]	[700488]	Clamp, speedmeter cable	Chrome
3	9050606012-1	[700127]	[700127]	Flange Bolt, M6×12	Dark Green
4	1090301-1	[700814]		L. Front Shock Absorber	
5	1090302-1	[700815]		R. Front Shock Absorber	
6	9050608045-1	[700113]	[700113]	Flange Bolt, M8×45	Dark Green
7			[700476]	Nut, Stem lock M25×1	
8	1090203	[700567]		Steel Ball Bowl Assy	
9			[700478]	Race, steering outer, upper	
10			[700479]	ball upper	
11			[700480]	Race, steering outer, upper	
12			[700481]	Race, steering outer, lower	
13			[700482]	Ball lower	
14			[700483]	Race, steering outer, lower	
15	1090305	[700822]	[700822]	Clamp, fuel tube	Chrome
16	2090203-1	[701177]			

图21

后货架

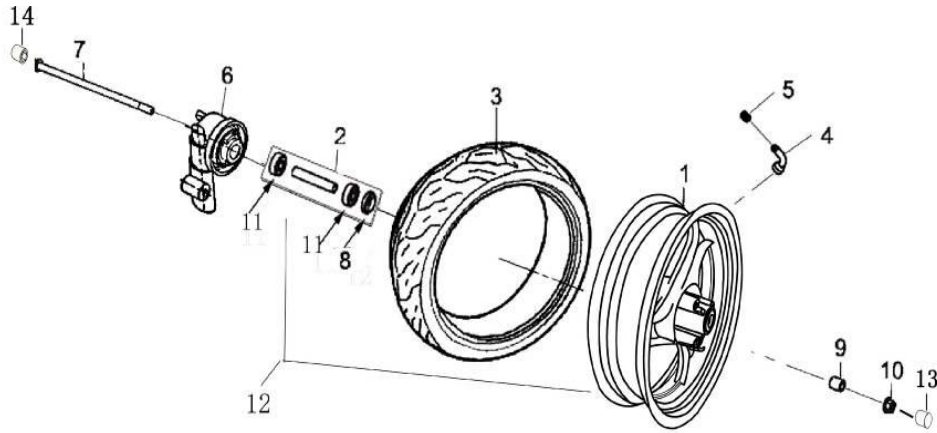
Draft 21



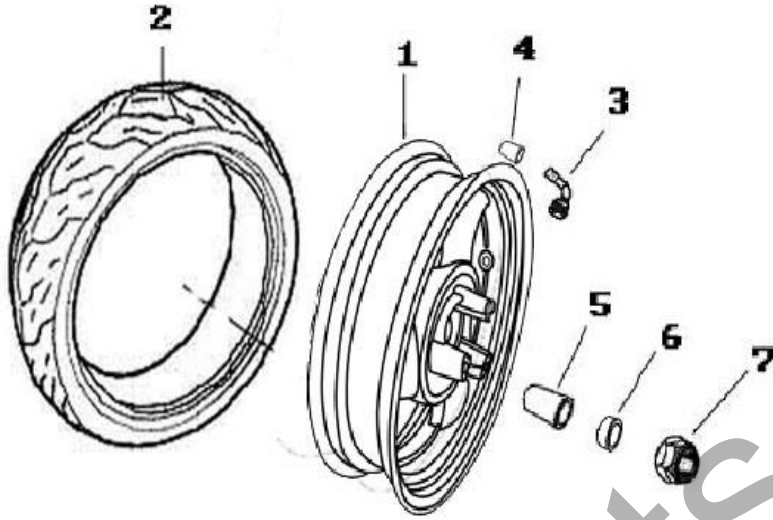
NO.	Part NO.	New NO.	Old NO.	Description	Feature
1	1020813	[702781	702781	REAR Baggage Rack	Black
2	9091206035-5	[703889		Inner Hex Bolt, M6×35	
3	9091208025-5	[703890		Inner Hex Bolt, M8×25	
4	1120821-1	[702801	702801	Rubber (φ 18×15)	
5	1100804-1	[702782	702782	Rear Shock Absorber Assy (335mm φ 8)	Red
6	9050610040-1	[700164	700164	Flange Bolt, M10×40	Dark Green
7	9030908032-2	[703845		Hex Bolt, M8×32	
8	9080710001-1	[700097	700097	Flange Lock Nut, M10	Dark Green

图22
Draft 22

前轮



NO.	Part NO.	New No.	Old NO.	Description	Feature
1	1040102-5	[702886]	701120	Rim, Front Wheel,3.50-13	Black
2	2040102-2	[701859]	701121	Bush (φ13×φ18×85mm)	
3	1040502-3	[701856]	701122	Tyre, Front Wheel 130/60-13	
4	1040501-1	[701818]	701818	Tubeless Valve	
5	2040501-1	[700831]	700831	Cap, Tubeless Valve	
6	1090208-1	[701882]	701123	Count Gear Box, Odometer	
7	9051612250-1	[700150]		Bolt, M12×250	Dark Green
8	2040102-6	[703849]		Oil Seal, 20-32-5	
9	2090308-1	[700834]		Collar φ12×φ20×18	
10	9080712001-1	[700096]	700096	Flange Lock Nut, M12	Dark Green
11	2040102-3	[700211]	700211	Bearing6201-RS	
12	2040008	[702887]	701230	Front Wheel Assy	
13	1120225-2	[701909]			
14	1120225-1	[700568]			

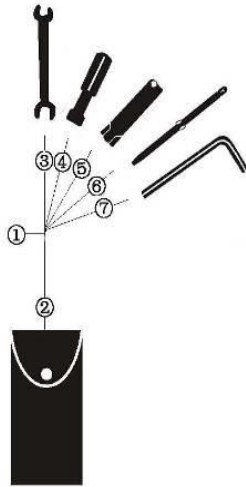


NO.	Part NO.	NEW NO.	Old NO.	Description	Feature
1	1040302-5	[702878]	701296	Rim, Rear Wheel(3.50-13)	Black
2	1040502-3	[701856]	701213	Tyre, Rear Wheel 130/60-13	
3	1040501-1	[701818]	700830	Tubeless Valve	
4	2040501-1	[700831]	700831	Cap, Tubeless Valve	
5	2100105-5	[701857]	701297	Bush, $\phi 17 \times \phi 25 \times 36$	
6	2100105-6	[701858]	701298	Bush, $\phi 17 \times \phi 25 \times 5$	
7	9191816001-1	[700271]	700094	Lock Nut, M16	Dark Green

图24

随车工具

Draft 24

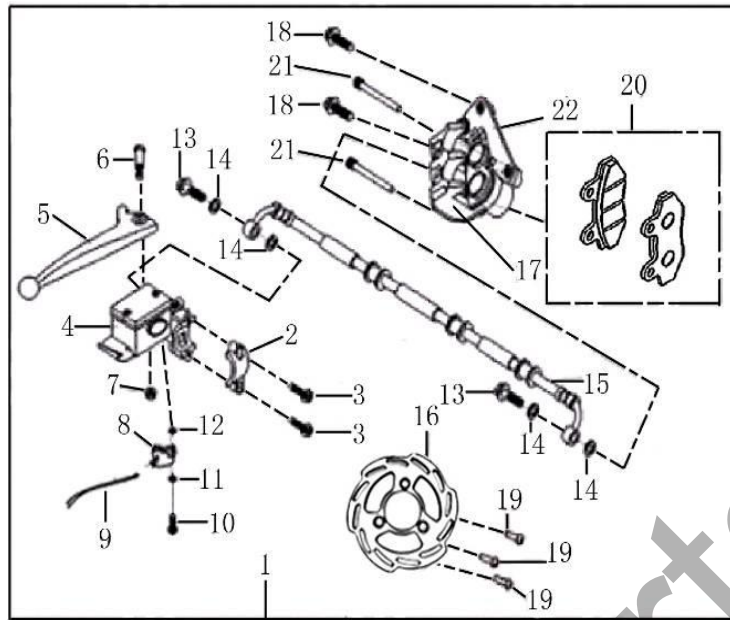


NO.	Part NO.	NEW NO.	Old NO.	Description	Feature
1	1210008-2	[701823]		Tools Assy(4stroke)	
2				Tools Bag	
3				Double Ended Spanner 10-12	
4				Screw Driver Socket	
5				Spark Plug Socket	
6				Double Ended Screw Driver	
7				Inner Hex Spanner	
8				Manual	

FamilyGokarts.com

图25
Draft 25

前液压制

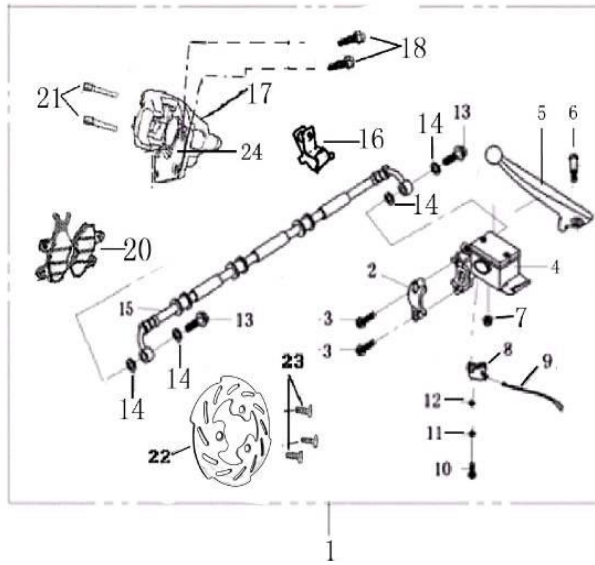


NO.	Part NO.	New No.	Old NO.	Description	Feature
1	1090804-1	[702783	702783	Front Hydraulic Brake System	
2	2090204-4	[701826		Cap, Front Hydraulic Cylinder	
3	2090404-16	[700272	700272	Bolt, M6×22	Dark Green
4	2090804-2	[702784	702784	Front Hydraulic Cylinder Comp	Black
5	2090804-3	[701496	701133	Lever, Right Handle	Black
6	2090404-17	[700295	700295	Bolt, Brake Lever M6×30	Dark Green
7	2090404-18	[700263	700263	Hex Lock Nut, M6	Dark Green
8	2090204-7	[701135	701135	Switch, Front Brake	
9	2090204-6	[701825	701136	Wire Cable, Front Brake Switch	
10	2090404-19	[700280	700280	Screw, M4×12	Color zinc
11	2090404-20	[700031	700031	Plain Washer, φ4	Color zinc
12	2090404-21	[700013	700013	Spring Washer, φ4	Color zinc
13	2090404-10	[700844	700844	Connect Bolt, Hose, Front Brake	Dark Green
14	2090404-9	[700845	700845	Copper Washer	
15	2090804-4	[702785	702785	Hydraulic Hose, Front Brake	
16	1090207-1	[701884	700847	Brake Disc. Assy, Front Wheel	Red
17	2090204-1	[701977	700848	Caliper Comp, Front Brake	Red
18	9050608035-1	[700116	700119	Flange Bolt, M8×35	Dark Green
19	2090407-1	[703844	700253	Inner Hex Bolt, M8×25	white zinc
20	2090104-1	[701862	700850	Brake Plate Assy	
21	2090104-8	[701863	700851	Bolt, Brake Plate Assy, Front Brake	
22	2090304-5	[700930	700930	bracket, Caliper Comp, front Brake(Double Pump)	

图26

后液压制

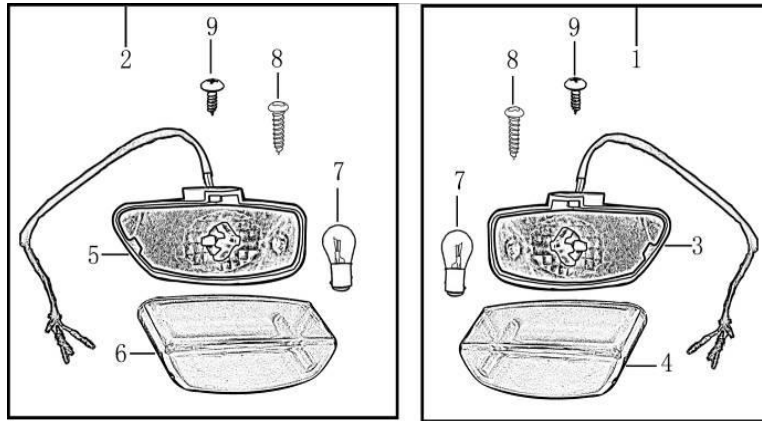
Draft 26



NO.	Part NO.	NEW NO.	Old NO.	Description	Feature
1	1100806-2	[702859	702859	Front Hydraulic Brake System(Double Pump)	
2	2090404-15	[701826	700839	Cap, Front Hydraulic Cylinder	
3	2090404-16	[700272	700272	Bolt, M6×22	Dark Green
4	2100806-1	[702873	701220	Front Hydraulic Cylinder Comp	
5	2100806-2	[701510	701221	Lever, Right Handle	Black
6	2090404-17	[700295	700295	Bolt, Brake Lever	Dark Green
7	2090404-18	[700263	700263	Hex Lock Nut, M6	Dark Green
8	2090104-7	[700857	700857	Switch, Rear Brake	
9	2090404-13	[701825	700858	Wire Cable, Rear Brake Switch	
10	2090404-19	[700280		Screw, M4×12	Color zinc
11	2090404-20	[700031	700031	Plain Washer, φ4×φ8	Color zinc
12	2090404-21	[700013	700013	Spring Washer, φ4	Color zinc
13	2090404-10	[700844	700844	Connect Bolt, Hose, Front Brake	Dark Green
14	2090404-9	[700845	700845	Copper Washer	
15	2100806-3	[702860	702860	Hydraulic Hose, Rear Brake	
16	2100606-7	[701348		Fixing Ring	
17	2100206-3	[701328	701301	Caliper Comp, Rear Brake(Double Pump)	Red
18	9050608012-1	[700122		Flange Bolt, M8×12	Dark Green
20	2100206-1	[701906	700850	Brake Plate Assy	
21	2090104-8	[701863	700851	Bolt, Brake Plate Assy, Rear Brake	
22	1100207-2	[701311	701311	Brake Disc. Rear Wheel(φ190×4mm)	Red
23	2100107-1	[703844	700253	Inner Hex Bolt, M8×25	white zinc
24	2100306-5	[701907	701312	bracket, Caliper Comp, Rear Brake (Double Pump)	

图27

Draft 27



NO.	Part NO.	New NO.	Old NO.	Description	Feature
1	1010816-1	[702788	702788	L. Front Turning Light Assy(11 E4 50R 001524)	
2	1010817-1	[702791	702791	R. Front Turning Light Assy(11 E4 50R 001524)	
3	2010816-1	[702882			
4	2010816-2	[702883			
5	2010817-1	[702884			
6	2010817-2	[702885			
7	2010817-3	[702907		Bulb (12V RY 10W)	Orange
8	9111738016-4	[703835		Screw, Tapping ST3.8×16	White zinc
9	9111748012-1	[700053		Screw, Tapping ST4.8×12	Dark Green
10	1220801-3	[702861	702861	Sticker Set,white,red and black	

FamilyGokarts.com



Company Brief

浙江永源摩托车制造有限公司

Zhejiang Jonway Motorcycle Manufacturing Co., Ltd.

地址: 318050 浙江省台州市路桥区路南后阮村

Address: 318050 Houruan Village, Luqiao District, Taizhou City,
Zhejiang Province, China

网址/Website: www.jonway.com

邮箱/E-mail: GROUP@jonway.com

电话/TEL: 0086-576-8255888

传真/FAX: 0086-576-8255888

FamilyGokarts.com