

目 录 Directory

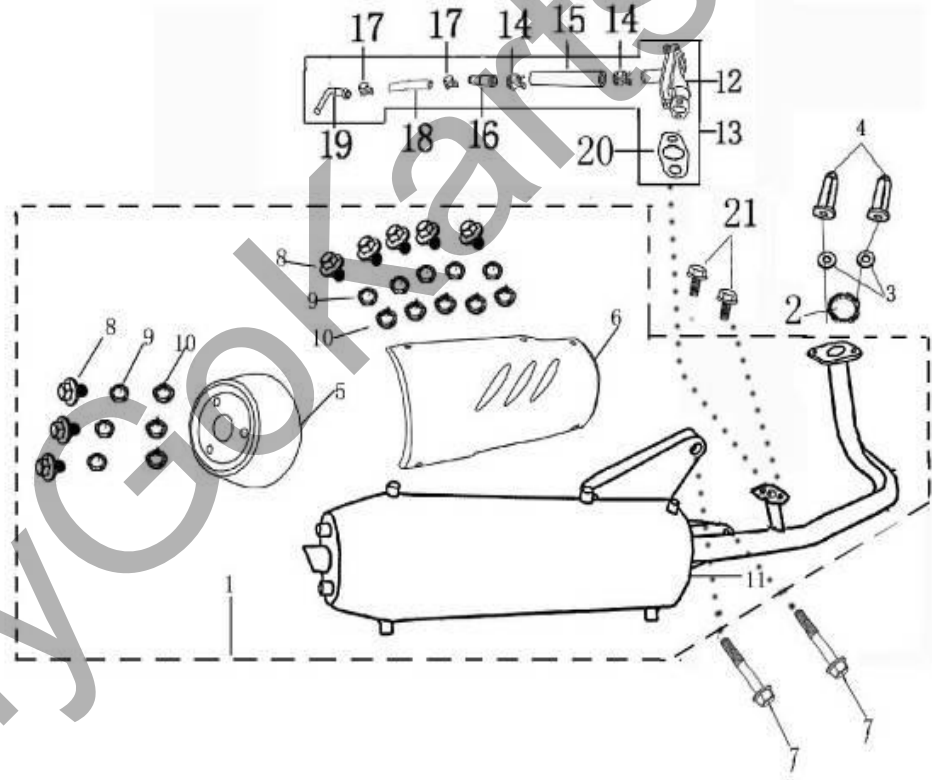
图 1	Draft 1	消声器	EXHAUST MUFFLER YDHT31.....
图 2	Draft 2	空滤器	AIR CLEANER
图 3	Draft 3	电缆、套锁	WIRE HARNESS、 LOCK SET.....
图 4	Draft 4	电器件	ELECTRICAL.....
图 5	Draft 5	仪表	METER.....
图 6	Draft 6	前大灯	HEADLIGHT.....
图 7	Draft 7	尾灯/后转向灯	REAR LIGHT/REAR TURNING LIGHT.....
图 8	Draft 8	操纵手把/拉索/开关	HANDLEBAR,CABLE & SWITCH.....
图 9	Draft 9	方向把/后视镜	HANDLE,REAR VIEW MIRROR.....
图 10	Draft 10	前面板/前护条	FRONT COVER,SHIELD.....
图 11	Draft 11	工具箱	LUGGAGE CARRIER.....
图 12	Draft 12	车体护板	SIDE & REAR COVERS.....
图 13	Draft 13	座垫\杂物箱	SEAT\LUGGAGE CABINET.....
图 14	Draft 14	脚踏底板/ 杂物箱前罩	FOOTREST,LUGGAGE CABINET FRONT COV
图 15	Draft 15	前泥板	FRONT MUDGUARD.....
图 16	Draft 16	后轮挡泥板	REAR MUDGUARD.....
图 17	Draft 17	车架	FRAME.....
图 18	Draft 18	主支架/侧支架	MAIN/SIDE STAND.....
图 19	Draft 19	燃油箱	FUEL TANK.....
图 20	Draft 20	方向柱/前减震	STEERING/FRONT SHOCK ABSORBER..
图 21	Draft 21	后货架	REAR BAGGAGE RACK.....
图 22	Draft 22	前轮	FRONT WHEEL.....
图 23	Draft 23	后轮	REAR WHEEL.....
图 24	Draft 24	随车工具	TOOLS ASSY.....
图 25	Draft 25	前液压制动器	FRONT HYDRAULIC BRAKE.....
图 26	Draft 26	二次补气阀总成	PCV RECYCING GASESVALVE,ASSY.....

图26

消声器(四冲50新款铁筒YDHF31e9 SHENKE HH475A)

Draft 1

EXHAUST MUFFLER (YDHF31)

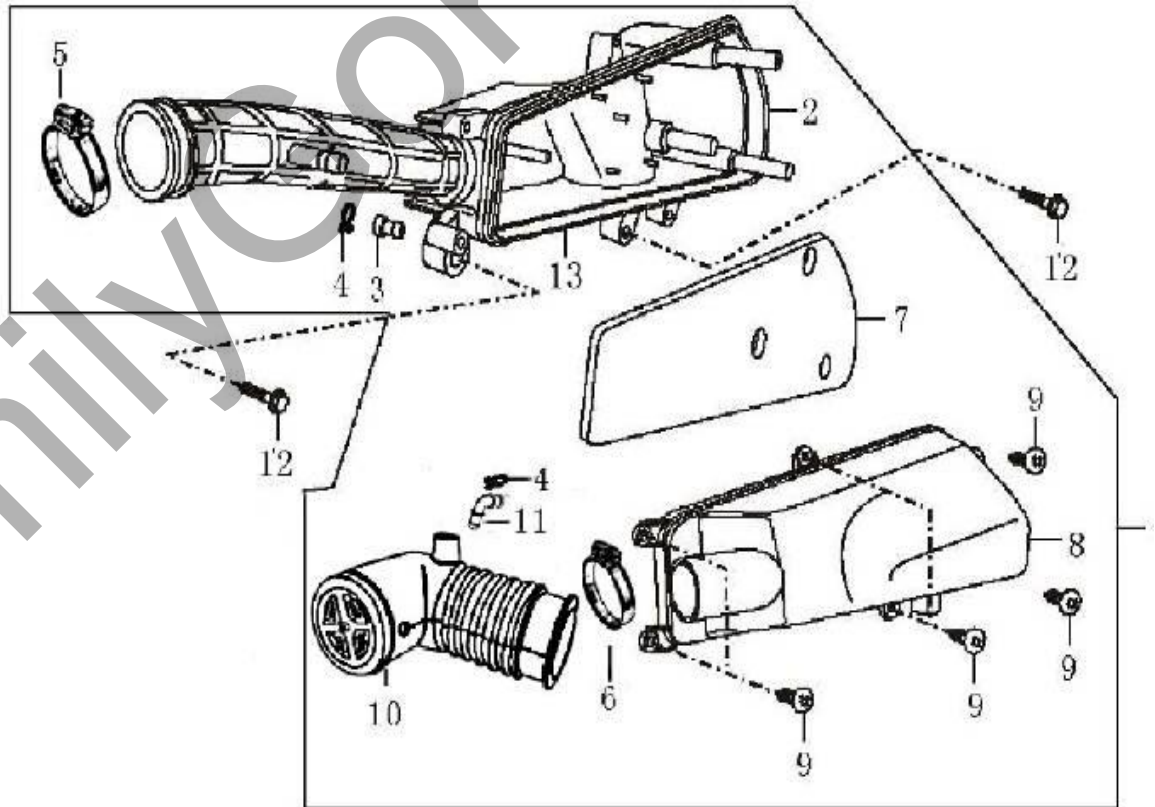


NO.	Part NO.	New NO.	Old NO.	Description
1	1100401-5	[703094		Exhaust Muffler Assy
2	1100402-1	[700587		Washer, Exhaust Outlet
3	9150208001-5	[706158		Spring Washer, $\phi 8$
4	8010206032-5	[706176		Cap Nut, M6 \times 32

5	2100401-6	[701850		Tail Insulated decorate Cover, Muffler
6	2100401-5	[701851		Tail Insulate Cover, Muffler
7	9050608040-5	[706116		Flange Bolt, M8×40
8	9040606010-2	[700294		Flange Bolt, M6×10
9	9181306012-2	[703820		Plain Washer, $\phi 6 \times \phi 12$
10	9150206001-2	[703821		Spring Washer, $\phi 6$
11	2100401-10	[703095		Exhaust Muffler
12	2210001-11	[701553		Pcv Recycling Gases Valve
13	1210001-2	[701552		Pcv Recycling Gases Valve Assy
14	2210001-12	[701554		Clip($\phi 19$)
15	2210001-13	[701555		Pipe($\phi 13 \times \phi 20$)
16	2210001-14	[701556		Rotate connection
17	2210001-15	[701557		Clip($\phi 14$)
18	2210001-16	[701558		Pipe($\phi 10 \times \phi 15$)
19	2210001-17	[701559		Transition elbow
20	2210001-10	[701318		Paper Gasket
21	9050606012-5	[706104		Flange Bolt, M6×12

图2

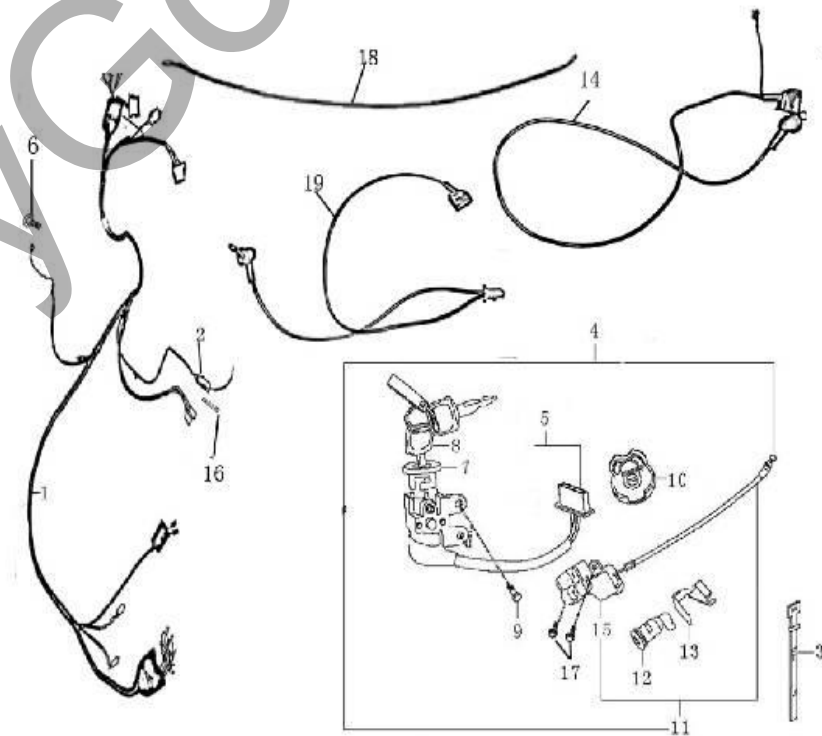
Draft 2



NO.	Part NO.	New NO.	Old NO.	Description
1	1200401-2	[700305	700305	Air Cleaner Assy
2	2200401-8	[700306	700306	Body, Air Cleaner
3	2200401-16	[701837	700307	Plug Pipe
4	1170408-1	[700308	700308	Clip, $\phi 10(1mm)$
5	2200401-5	[700309	700309	Fixing Ring $\phi (32-44)$
6	2200401-15	[700557		Fixing Ring $\phi (32-40)$
7	2200401-9	[700310	700310	Filter Core (Sponge)
8	2200401-11	[700311	700311	Cover, Air Cleaner
9	9111748012-1	[700053		Screw, Tapping ST4.8 \times 12
10	2200401-17	[701803	700312	Air Cleaner Intake Pipe(7-type short)
11	2200401-6	[700571		Air Cleaner Intake Pipe elbow
12	9050606025-5	[706106		Flange Bolt, M6 \times 25
13	2200401-10	[700315	700315	Seal Gasket

图3

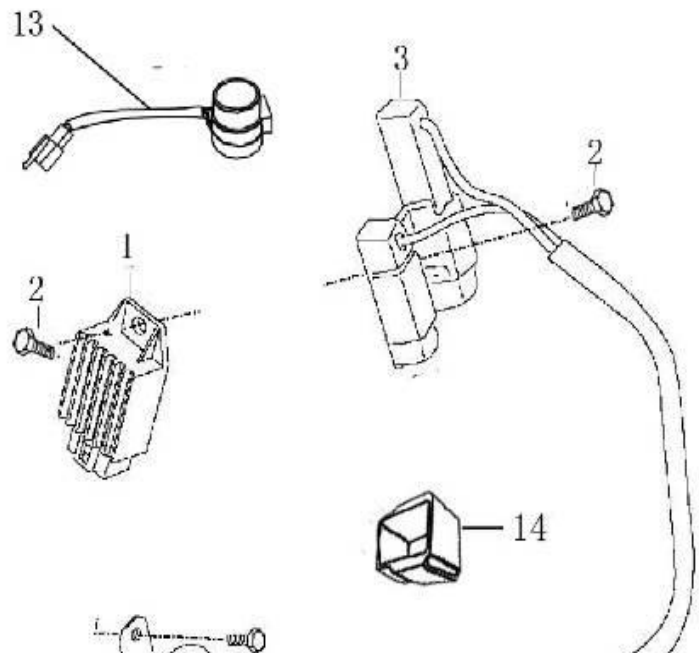
Draft 3

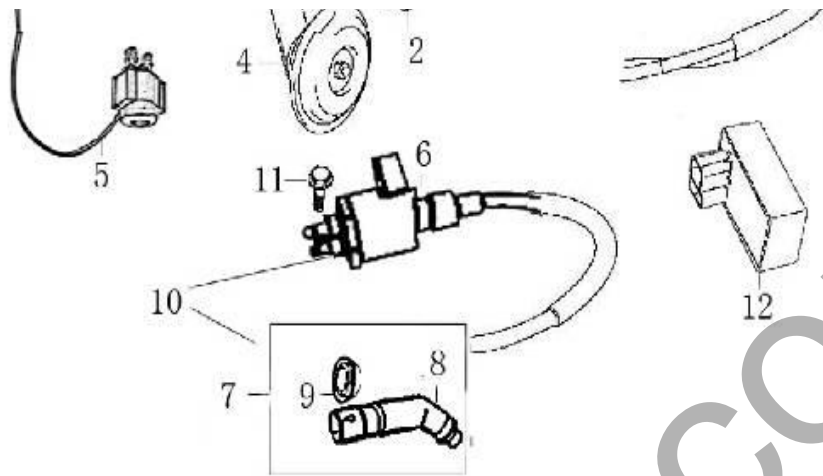


NO.	Part NO.	New NO.	Old NO.	Description
1	1070401-5	[706094]		Wire Harness (Include 2、16、AC-6)
2	2070401-1	[700541]	700541	Fuse Box
3	1070406	[700318]	700318	Ties
4	1140401-1	[700319]	700319	Lock Set (Cap,without hole)
4A	1140401-2	[700572]	700572	Lock Set (Cap,with hole)
5			700320	Ignition Switch Assy
6	9050606012-5	[706104]		Flange Bolt, M6×12
7	2140401-1	[701805]	700322	Cap, Switch
8			700323	Key (Foldaway)
9	9050606016-5	[706105]		Flange Bolt, M6×16
10			700324	Cap Assy, Fuel Tank (without hole)
10A			700328	Cap Assy, Fuel Tank (with hole)
11			700325	Lock Set, Seat
12			700326	Seat Lock
13	2140401-2	[700327]	700327	Seat Lock Bracket
14	1070403-1	[700590]	700544	Positive Pole Cable (850mm/4mm2)
15	2140401-3	[700329]	700329	Hooded lock, seat
16	2070401-2	[700317]	700317	Fuse (15A)
17	9050606016-5	[706105]		Flange Bolt, M6×16
18	1070404-1	[700588]	700542	Grounding Cable (430mm/4mm2)
19	1070405	[700589]	700543	Cable Assy (Black 500mm, red 370/4mm2)

图4

Draft 4

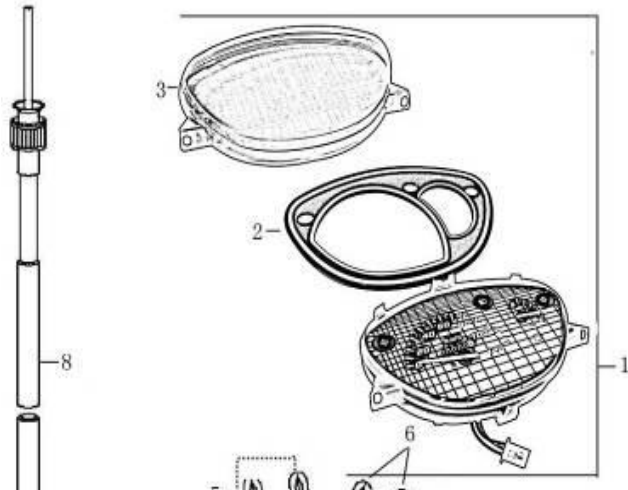


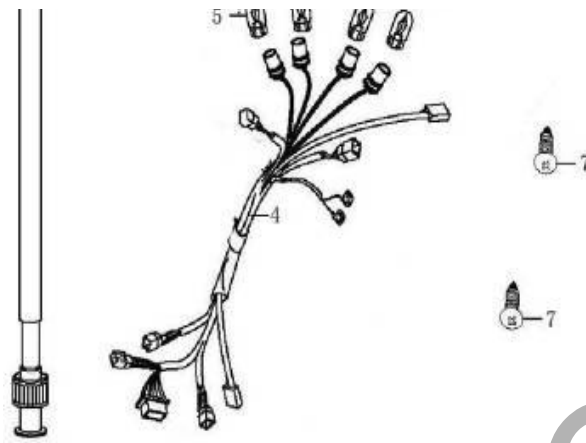


NO.	Part NO.	New NO.	Old NO.	Description
1	1060002-1	[700331	700331	Rectifier (AC-6)
2	9050606012-5	[706104		Flange Bolt, M6×12
3	1060008-1	[700332	700332	Discharge Resistance (Double)
4	1060007-1	[700333	700333	Horn DL127(I E4000113)12V1.5A
5	1060006-1	[700334	700334	Starter Relay
6	2060005-3	[700335	700335	Ignition Coil
7	2060005-4	[700336	700336	Adapter, Hightention
8	2060005-5	[700338	700338	Cap , Spark plug
9	2060005-6	[700339	700339	Seal ,Spark plug
10	1060005-2	[701684	701684	Ignition Coil Assy
11	9050606020-5	[703847		Flange bolt, M6×20
12	1060003-4	[700340	700340	CDI (45km/h, 3.50-10)
12A	1060003-5	[700341	700341	CDI (25km/h, 3.50-10)
13	1060001-1	[700342	700342	Winker Relay
14	1060004-1	[701535		Rubber cover, CDI

图5

Draft 5

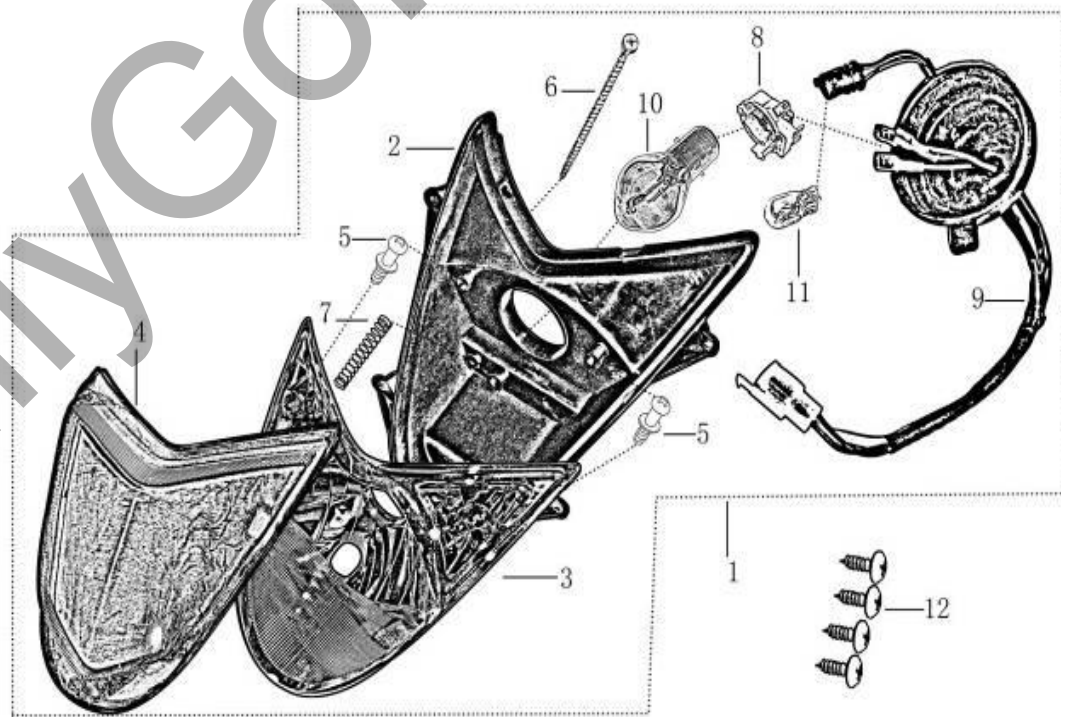




NO.	Part NO.	New NO.	Old NO.	Description
1	1160401-7	[706376		Meter Comp. (Km/h&Pm/h, 0-80)
2	2160401-7	[706377		Cover, Meter
3	2160401-8	[706378		Cover ,Meter
4	1070402-4	[706379		Wire harness, Meter, use only, 6
5	2070402-2	[702910	700347	Bulb 12V W3W
6	2070402-1	[702911		Bulb (12V3W Black point)
7	9111742016-5	[706132		Screw, Tapping ST4.2×16
8	1080401-1	[700348	700348	Cable, Odometer (890mm)

图6

Draft 6



NO.	Part NO.	New NO.	Old NO.	Description
1	1150401-6	[706380		Headlight Assy

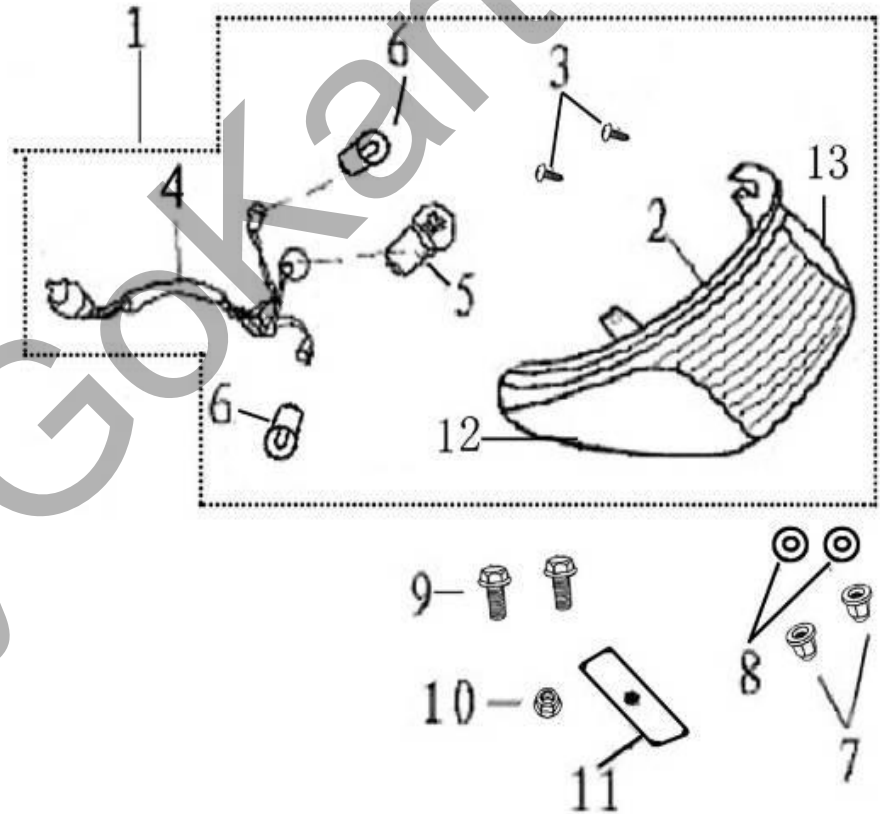
2	2150401-25	[706381		Hood, Headlight
3	2150401-26	[706382		Reflector Net of Front Lamp
4	2150401-27	[706383		Cover, Headlight
5	2150401-28	[706384		FixingBolt Reflector Net of Front Lamp
6	2150401-29	[706385		Tune Screw
7	2150401-30	[706386		Spring
8	2150401-31	[706387		Holder ,Lamp of Headlight
9	2150401-32	[706388		Wire Cable, Headlight
10	2150401-9	702537	700546	Bulb, (S212V 35/35W)
11	2070402-2	[702910	700347	Bulb (12V W3W)
12	9111742012-5	[706131		Screw, Tapping ST4.2×12

图7

尾灯/后转向灯E3 50R-001065/E3 50R-001066

Draft 7

REAR LIGHT/REAR TURNING LIGHT

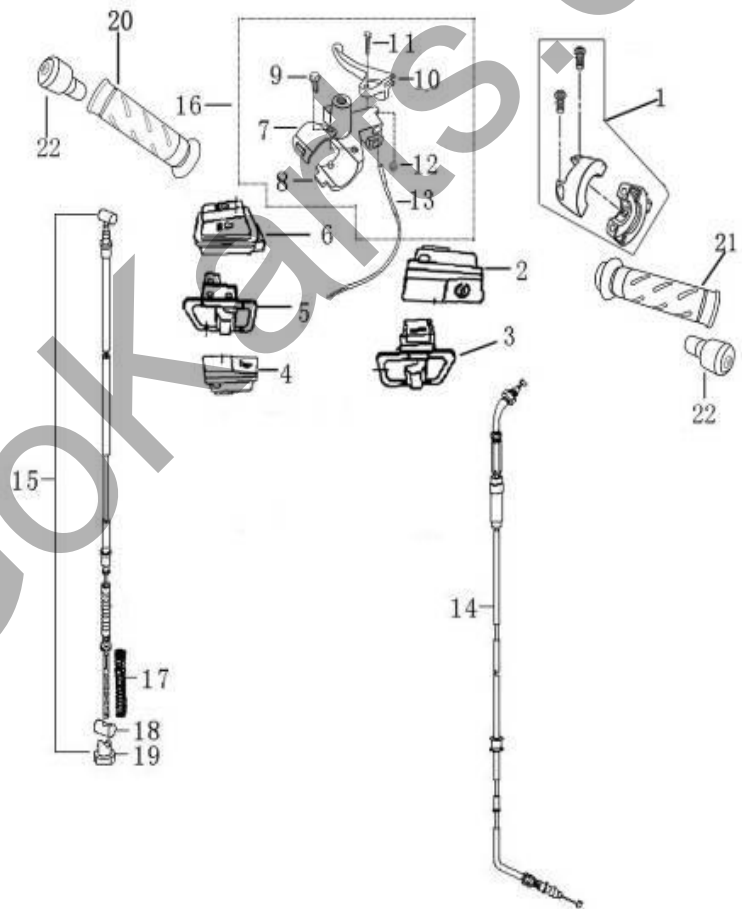


NO.	Part NO.	New NO.	Old NO.	Description
1	1010419-1	[700358	700555	Rear Light Assy (The first one)
2	2010419-1	[700359	700359	Len, Rear Light Assy (E350R-001065)
3	9111735012-4	[700245	700245	Screw, Tapping ST3.5×12
4	2010419-2	[701791	700360	Wire Cable, Rear Light
5	2010419-3	[702912	700361	Bulb(12V P21/5W)
6	2010416-1	[702907	700362	Bulb (12V RY10W)

7	8010206017-5	[706146		Cap Nut M6×17
8	9170106018-5	[706154		Plain Washer, φ6×φ18
9	9050606012-5	[706104		Flange Bolt, M6×12
10	9070505001-5	[706100		Flange Nut, M5
11	1010003-1	[700586		Rear square Reflecting Device (IA-E4-023361)
12	2010419-5	[701799	701781	Len, Rear Left indication Light E3-50R-001066
13	2010419-6	[701800	701782	Len, Rear Right indication Light E3-50R-001066

图8

Draft 8

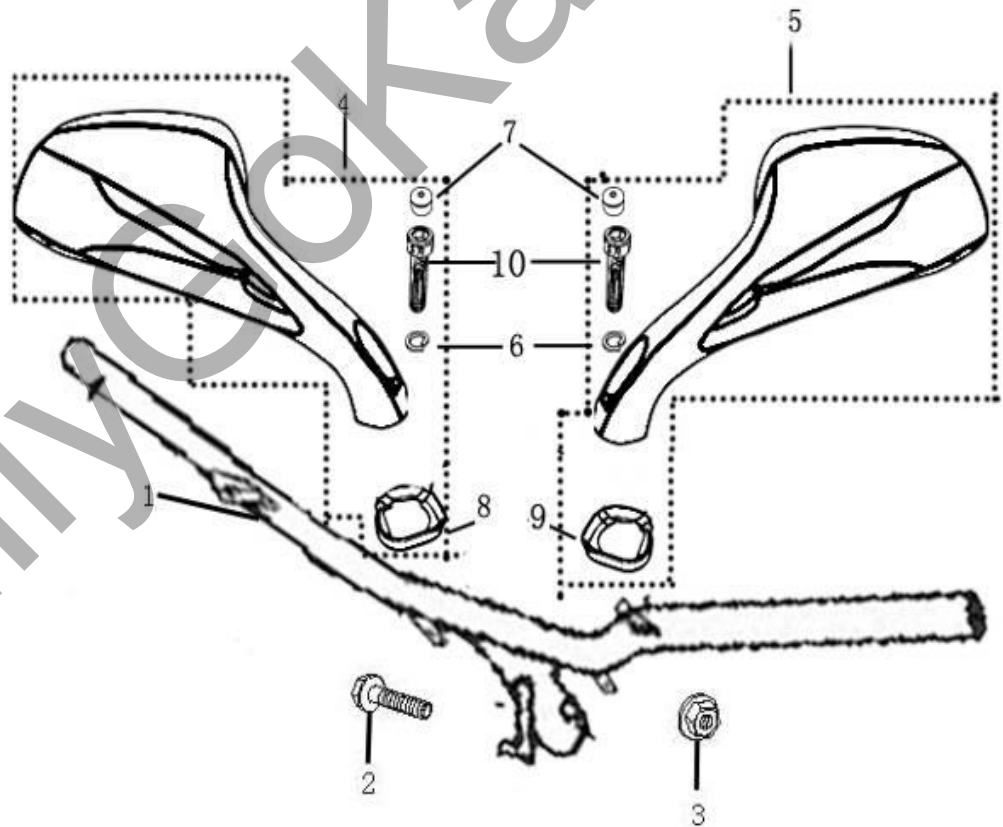


NO.	Part NO.	New NO.	Old NO.	Description
1	1180404	[701806	700364	Holder, Throttle at Right Handle
2	1050404-2	[701763	701763	Electric Start Switch
3	1050405-2	[701764	701764	Headlight Switch
4	1050403-2	[701765	701765	Horn Switch
5	1050402-2	[701766	701766	Turning Light Switch
6	1050401-2	[701767	701767	Dimmer Switch
7	2190401-1	[700370	700370	Fixing Plate, Rear Brake Lever

8	2190401-2	[700371	700371	Holder Assy, Rear Brake Lever
9	9040606020-3	[703823	703823	Flange Bolt, M6×20
10	2191101-3	[706529		Holder Assy, Rear Brake Lever (Black)
11	8010605025-3	[700373	700373	Bolt, Rear Brake Lever M5×25
12	9191805001-3	[703813	703813	Hex Lock Nut, M5
13	2190401-4	[700374	700374	Switch, Rear Brake
14	1080402-1	[700375	700375	Throttle Cable (Distance 1650, 100 elbow)
15	1080403-1	[700376	700376	Cable, Rear Brake Comp. (1800, distance 60)
16	1190401-2	[706530		Rear Brake Lever Assy
17	2080403-1	[700378	700378	Spring
18	2080403-2	[700379	700379	Pin
19	2080403-3	[700380	700380	Adjusting Nut M6
20	1180401-2	[701807	700381	Rubber Grip, L. Handle
21	1180402-2	[701808	700382	Rubber Grip, R. Handle(Throttle Control)
22	1180403-2	[701813	700383	Balance plate,iron

图9

Draft 9

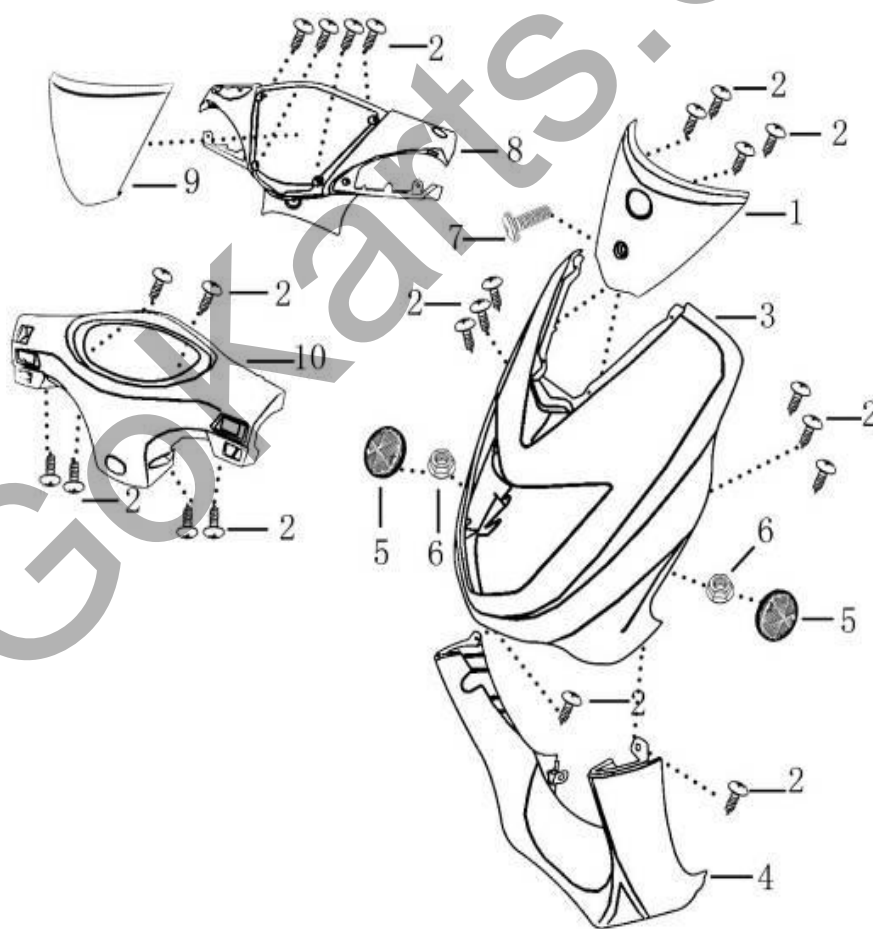


NO.	Part NO.	New NO.	Old NO.	Description
1	1030404-4	[706389		Handle Comp

2	9050610045-5	[706125		Flange Bolt, M10×45
3	9080710001-5	[706122		Flange Lock Nut, M10
4	1210481-2 (86)	[701829	701776	R.Rear View Mirror, (QY215),black
5	1210480-2 (86)	[701833		L.Rear View Mirror, (QY215),black
6	9150208001-3	[703732	700015	Spring Washer, φ8
7	2210406-1	[701777	701777	dustproof cover
8	2210205-1	[701314	701314	Rubber Cover, L. Rear View Mirror
9	2210206-1	[701315	701315	Rubber Cover, R. Rear View Mirror
10	9091208030-4	[703856		Inner Hex Screw,bolt M8×30

图10

Draft 10

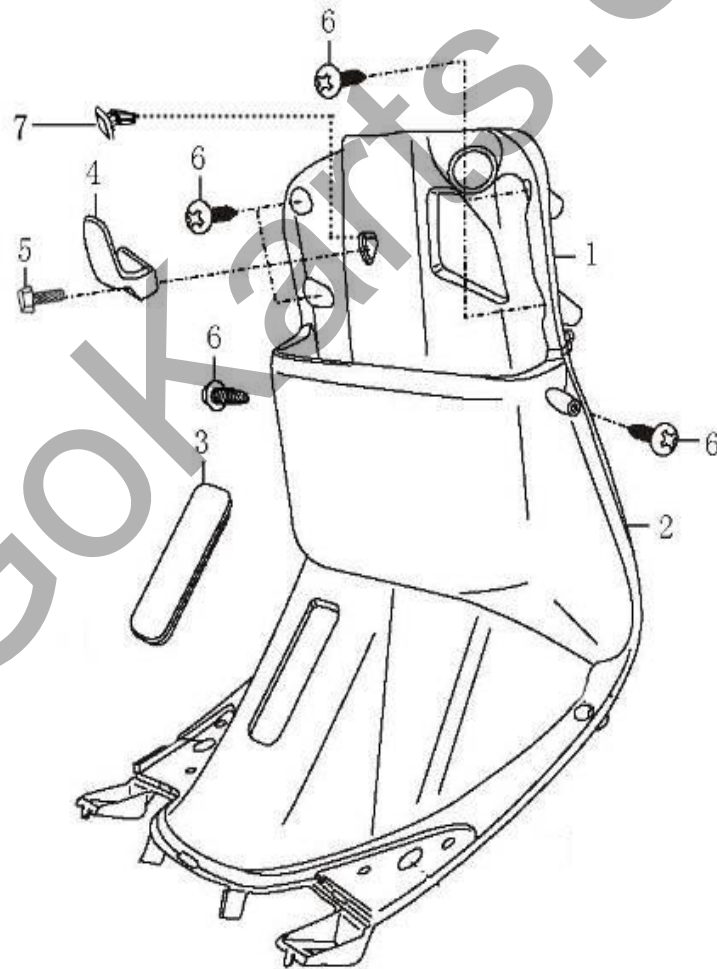


NO.	Part NO.	New NO.	Old NO.	Description
1	1020402-5 (86)	[706390		Front Cover(六)Black
2	9111742012-5	[706131		Screw, Tapping ST4.2×12
3	1020403-3 (114)	[706391		Front Shield,Red114
3A	1020403-3 (183)	[706392		Front Shield,
4	1020412-1 (86)	[706393		Front Fender, Frame,Black
4A	1020412-1 (182)	[706394		Front Fender, Frame,White
5	1010001-1	[700591	700402	Side Reflecting Device(IA-E4-023360)

6	9070505001-5	[706100	Flange Nut, M5
7	9101506025-5	[706140	Screw, M6X25
8	1020401-2 (114)	[706395	Headlight Cover, Red 114
8A	1020401-2 (183)	[706396	Headlight Cover
9	1020422-1 (86)	[706397	Decorating Plate, Meter Case, black
10	1010401-3	[706398	Case, Meter

图11

Draft 11

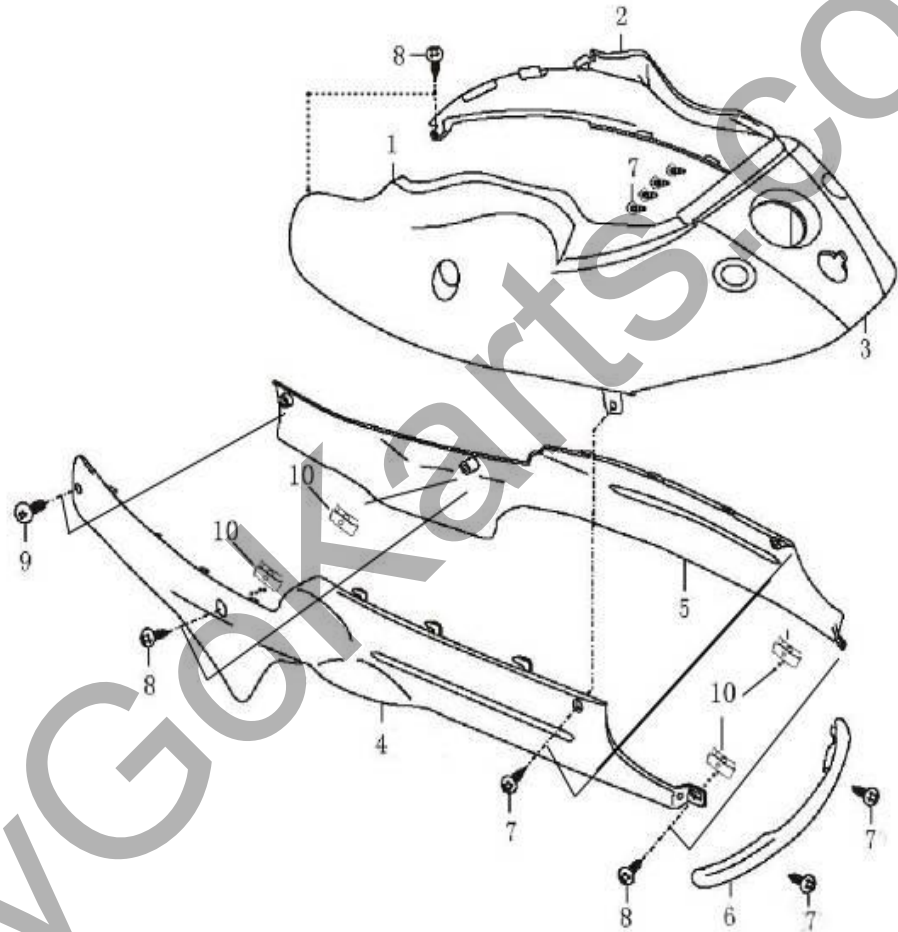


NO.	Part NO.	New NO.	Old NO.	Description
1	1010402-1	[700405	700405	Upper, Front Luggage Carrier
2	1010402-2	[700406	700406	Lower, Front Luggage Carrier
3	1010403	[700407	700407	Cover, Chassis No.
4	1010404-1	[700408	700408	Hook, Helmet (Smaller)
5	9050606016-5	[706105		Flange Bolt, M6×16

6	9111742012-5	[706131	Screw, Tapping ST4.2×12
7	1010411	[700563	Button, helmet hook

图12

Draft 12

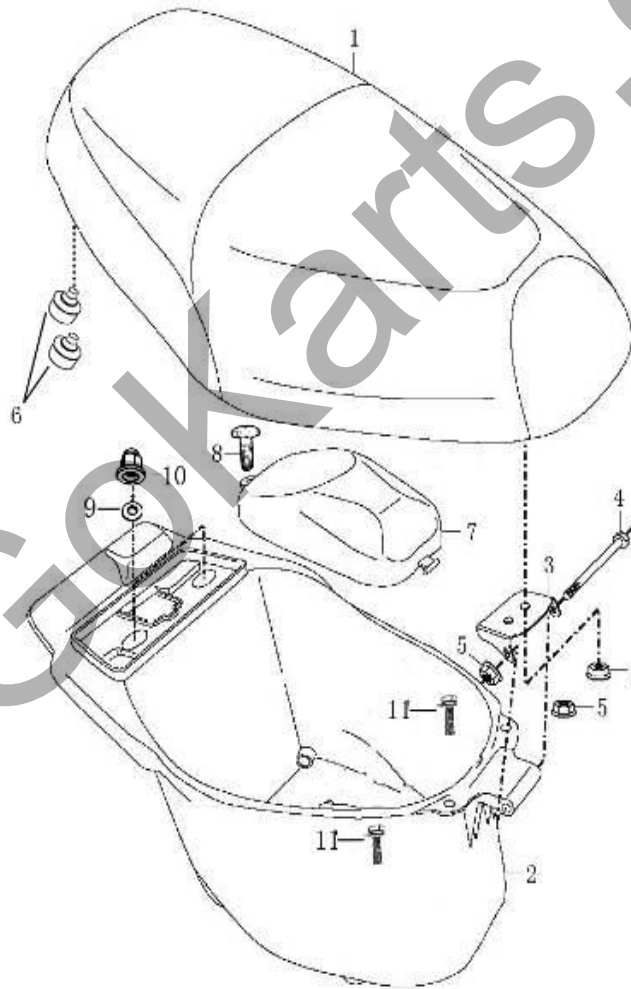


NO.	Part NO.	New NO.	Old NO.	Description
1	1020409 (182)	[706399		L. Decorating Cover, White
1A	1020409 (183)	[706500		L. Decorating Cover,
2	1020410 (182)	[706501		R. Decorating Cover, White
2A	1020410 (183)	[706502		R. Decorating Cover,
3	1020411 (182)	[706503		Rear Central Decorating Cover, White
3A	1020411 (183)	[706504		Rear Central Decorating Cover,
4	1020406 (86)	[700418	700418	Left Shield, black
4A	1020406 (182)	[706505		Left Shield, White
5	1020407 (86)	[700419	700419	Right Shield, black
5A	1020407 (182)	[706506		Right Shield, White

6	1020408 (86)	[700420	700420	Rear Shield,black
6A	1020408 (182)	[706507		Rear Shield,White
7	9111742012-5	[706131		Screw, Tapping ST4.2×12
8	9111748016-5	[706134		Screw, Tapping ST4.8×16
9	9101506016-5	[706138		Screw, M6×16
10	8011042001-5	[706170		Clamp, 4.2mm
11	1220401-9	[706522		applique (Monza Race 50-2011)
12	1220401-10	[706523		applique (Monza Urban 50-2011)

图13

Draft 13

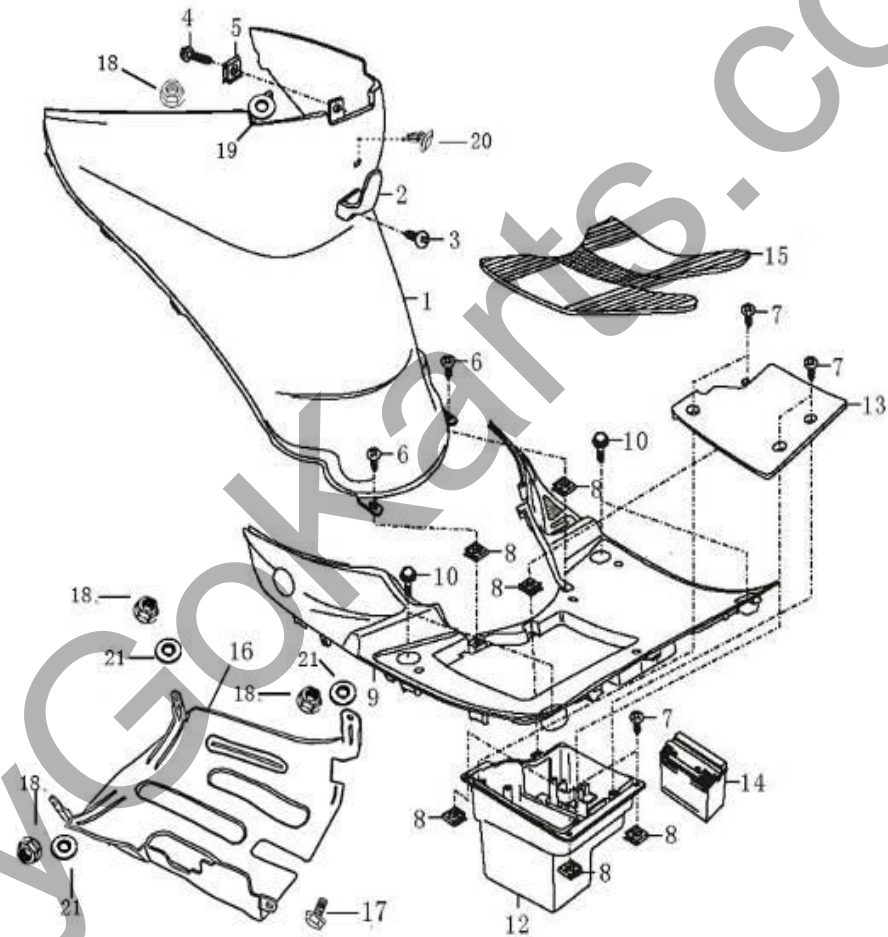


NO.	Part NO.	New NO.	Old NO.	Description
1	1130401-3	[700667		Canvas Seat Assy (include 3、4、5、6)
2	1010408-2	[700424	700424	Luggage Cabinet
3	2130401-1	[700425	700425	Rocker Arm, Seat
4	2130401-2	[700426	700426	Rocker Arm Axle $\phi 7.4 \times 51 \times 12$ -M6
5	9070506001-3	[703812	700100	Flange Nut, M6
6	2130401-3	[700427	700427	Cushioning Rubber,Seat (7mm)

7	1010409	[700428	700428	Inside Cover, Luggage Cabinet
8	8010806012-5	[706142		Bolt, M6×12
9	9170106018-5	[706154		Plain Washer, φ6×φ18
10	8010206017-5	[706146		Cap Nut, M6×17
11	9120406016-5	[706111		Bolt with washer, M6×16

图14

Draft 14

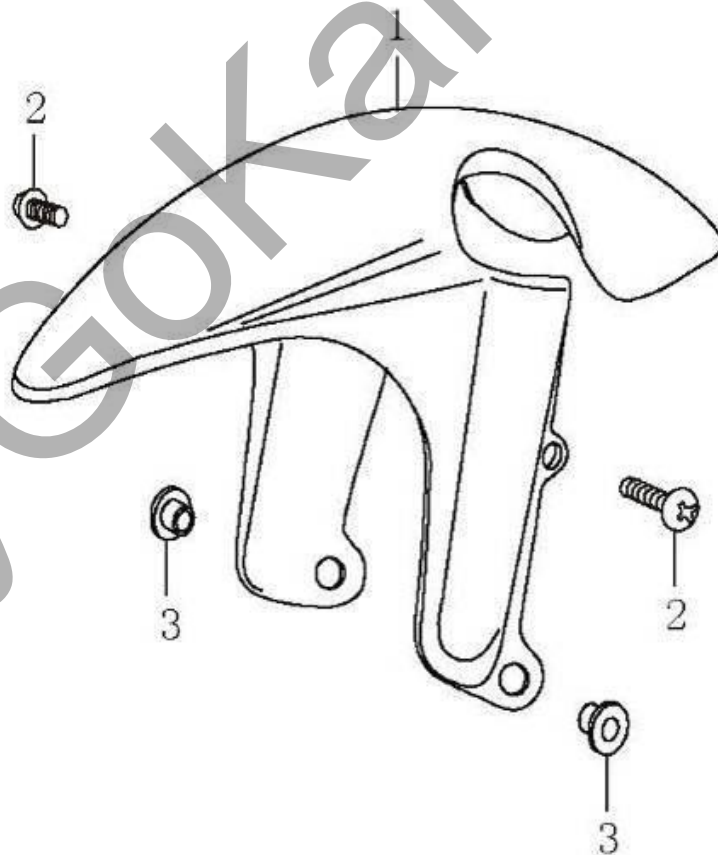


NO.	Part NO.	New NO.	Old NO.	Description
1	1010410	[700429	700429	Front Cover, Luggage Cabinet
2	1010404-2	[700430	700430	Hook, Helmet, (big)
3	9050606016-5	[706105		Flange Bolt, M6×16
4	9101506016-5	[706138		Spherical Screw (with Slot), M6×16 ,
5	8010406001-5	[706168		Clamp, M6
6	9111748016-5	[706134		Screw, Tapping ST4.8×16
7	9170106018-5	[706154		Plain Washer, φ6×φ18
8	8011042001-5	[706170		Clamp, 4.2mm
9	1010405	[700431	700431	Footrest Base Panel
10	8010606016-5	[706103		Step Bolt, M6×16
12	1010406-2	[700432	700432	Box, Battery

13	1010407	[700433	700433	Cover, Battery box
14	1210009-1	[700434	700434	Battery Assy 12V7AH
15	1210404-1	[700437	700437	Rubber Mat
16	1010412	[701769	701769	Fender, Frame
17	9120406012-5	[706110		Bolt with Washer, M6×12
18	9070506001-5	[706101		Flange Nut, M6
19	8010106032-5	[706155		Helmet Hook washer, $\phi 6 \times \phi 32 \times 2$
20	1010411	[700563	700563	Button, helmet hook
21	9111742012-5	[706131		Screw, Tapping ST4.2×12

图15

Draft 15



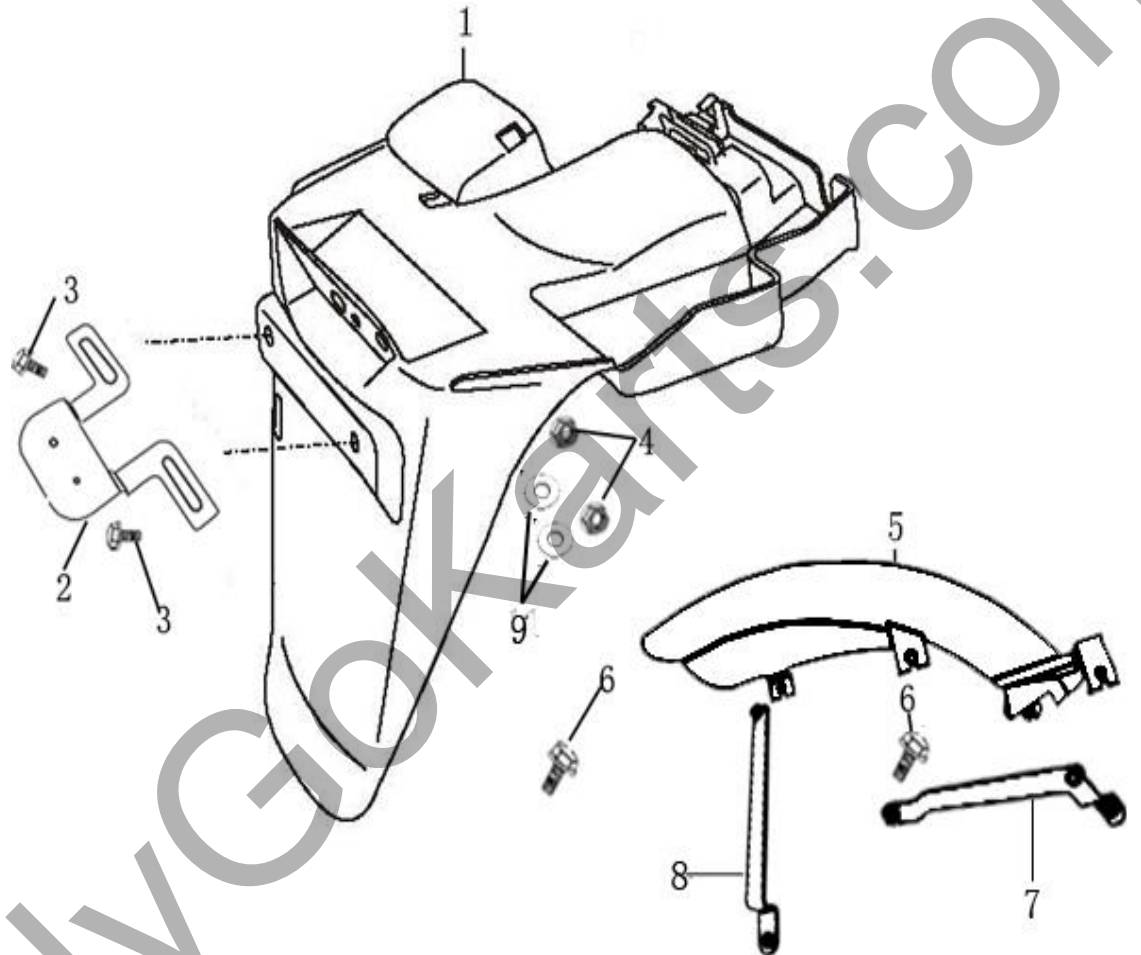
NO.	Part NO.	New NO.	Old NO.	Description
1	1020405 (86)	[700664	700659	Front Mudguard, black
1A	1020405 (182)	[706508		Front Mudguard, White

2	9101506016-5	[706138	Screw, M6×16
3	8011116005-5	[706161	Bush $\phi 16 \times 5 \times \phi 10 \times 7$

图16

后轮挡泥

Draft 16

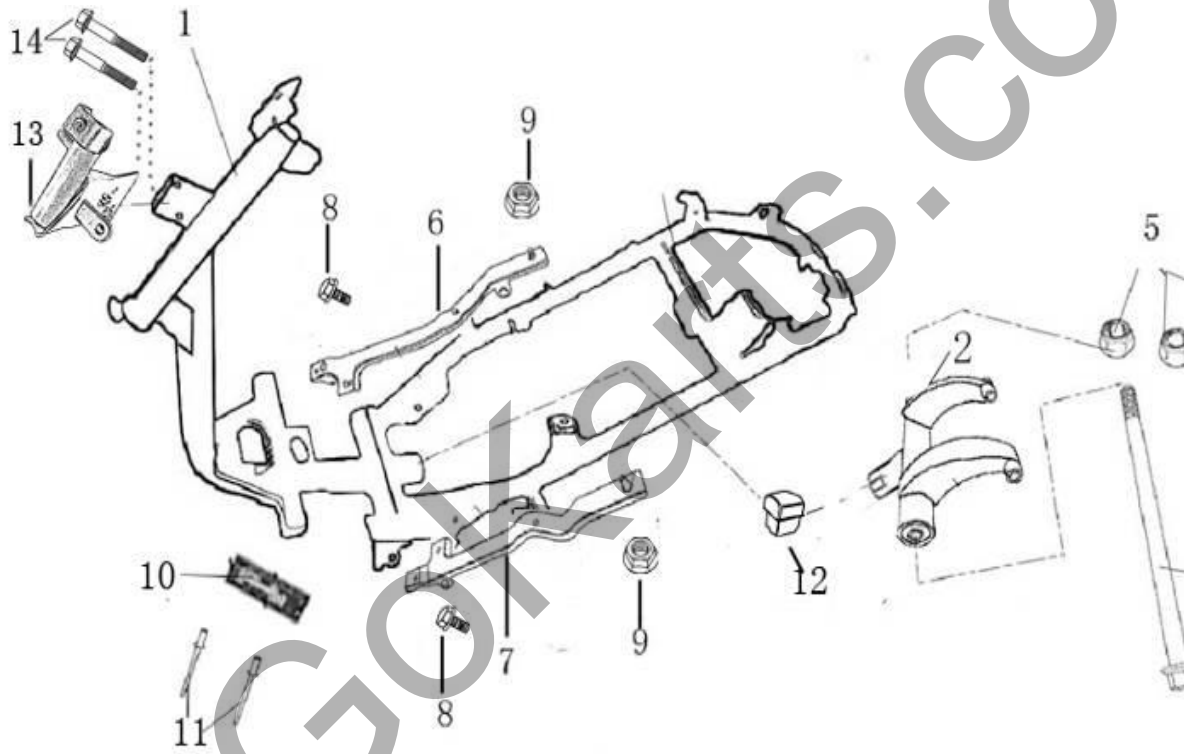


NO.	Part NO.	New NO.	Old NO.	Description
1	1010413	[701814	700442	Rear Fender
2	1030412-1	[701815	700443	Bracket, Registration Plate
3	9050606012-5	[706104		Flange Bolt, M6×12
4	9070506001-5	[706101		Flange Nut, M6
5	1010414-1	[700444	700444	Rear Mudguard, Rear Wheel
6	9050606012-5	[706104		Flange Bolt, M6×12
7	1030413-1	[700445	700445	R.Bracket Rear Mudguard, Rear Wheel
8	1030414-1	[700446	700446	L.Bracket Rear Mudguard, Rear Wheel
9	9170106018-5	[706154		plain washer, $\phi 6 \times \phi 18$

图17

车架

Draft 17

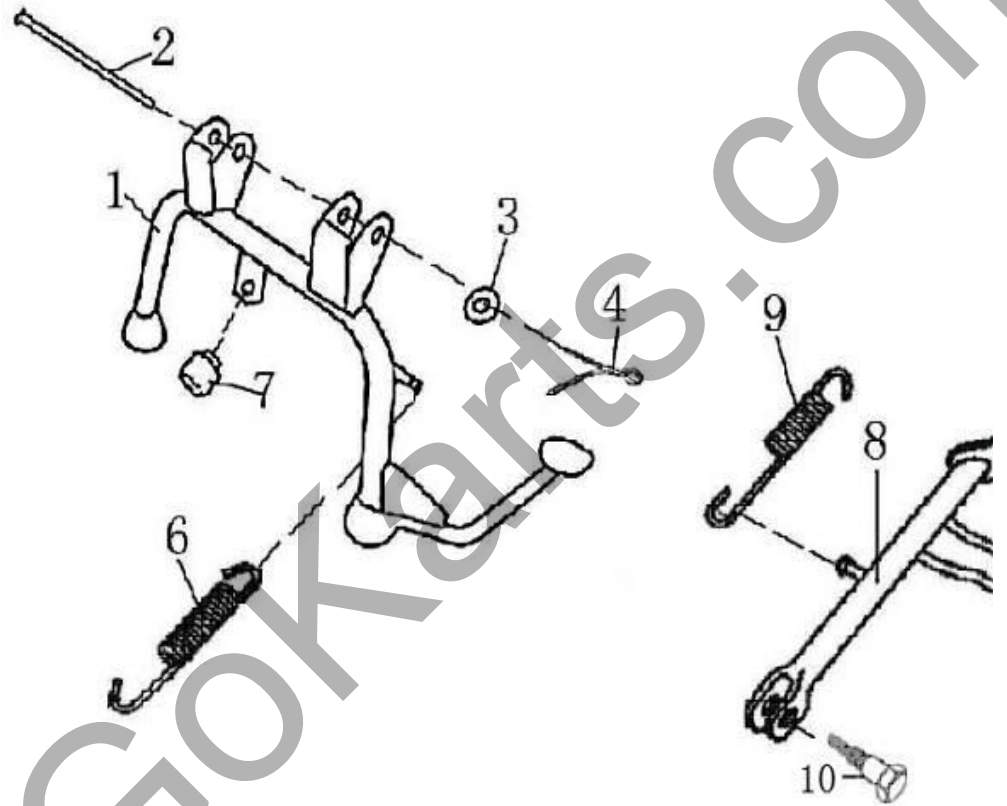


NO.	Part NO.	New NO.	Old NO.	Description
1	1030401-1	[700448	700448	Frame
2	1030403-1	[700449	700449	Engine Mount
3	9050610070-5	[706177		Flange Bolt, M10×70
4	9051610235-5	[706178		Bolt, M10×235
5	9080710001-5	[706122		Flange Lock Nut, M10
6	1030410-1	[700592	700450	R. Side Holder
7	1030409-1	[700593	700451	L. Side Holder
8	9050606012-5	[706104		Flange Bolt, M6×12
9	9070506001-5	[706101		Flange Nut, M6
10				Statutory Inscription Plate
11	9011032009	[700220	700220	Rivet, Statutory Inscription Plate
12	1120401-1	[700547	700547	Cushioning Rubber, Engine Mount (Double)
13	1030418-1	[706509		Bracket, Horn

图18

主支架/1

Draft 18

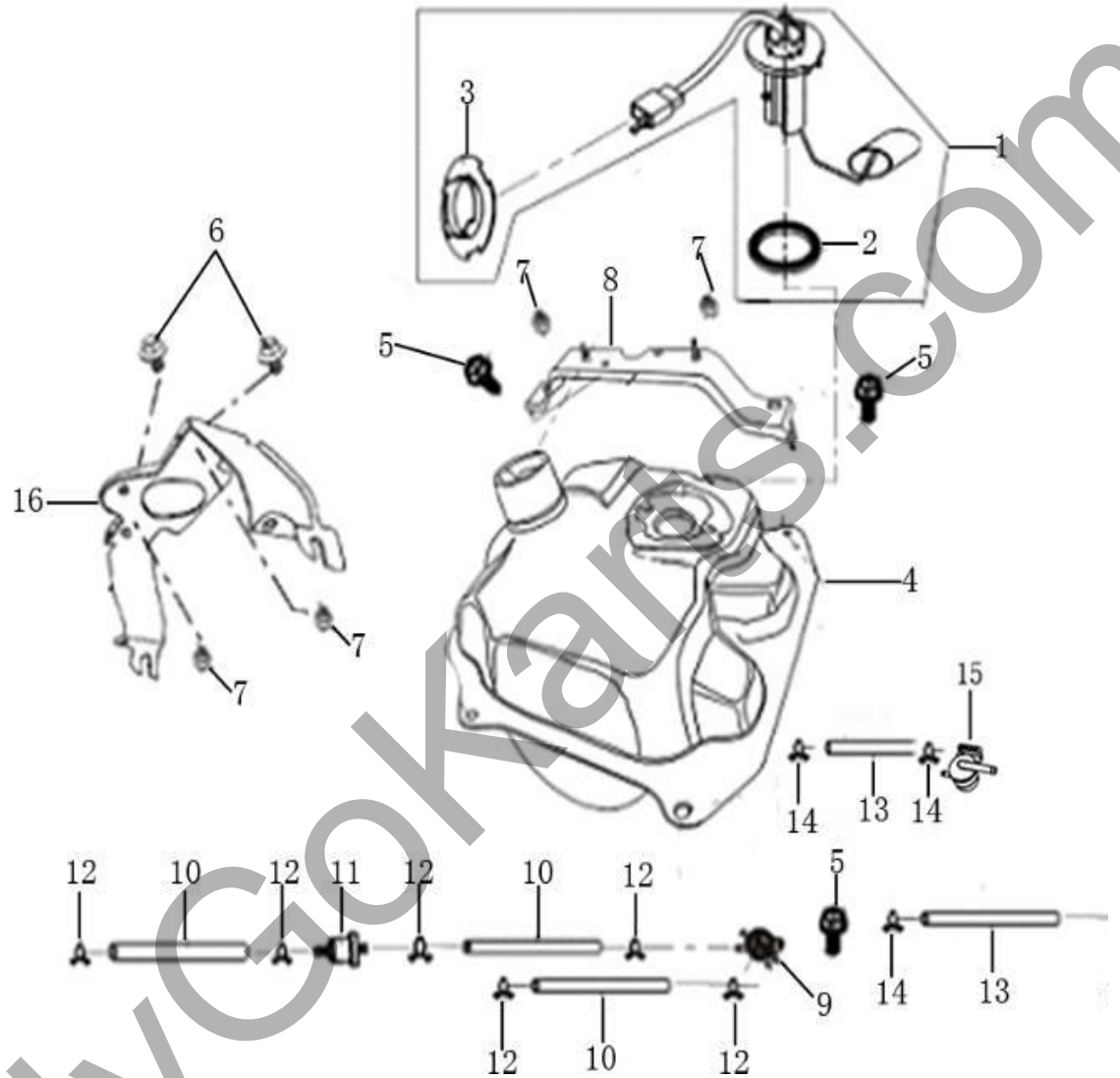


NO.	Part NO.	New NO.	Old NO.	Description
1	1030405-1	[700453	700453	Main Stand Assy (190mm)
2	8011408175-5	[706164		Main Stand Axle, $\phi 8 \times 175$
3	9181308016-5	[706156		Plain Washer, $\phi 8 \times \phi 16$
4	9140325030-5	[706166		Clip Pin, 2.5 \times 30
6	1110402-1	[701848	700455	Spring, Main Stand $\phi 2.5 \times 82$ (Double)
7	1120403-1	[700456	700456	Cushioning Rubber, Main Stand
8	1030406-1	[700457	700457	Side Stand Assy (170mm)
9	1110403-1	[701849	700458	Spring, Side Stand $\phi 2 \times 80$, (Double)
10	8011510012-5	[706159		Step Bolt ($\phi 10 \times 12$ -M8 \times 12)

图19

燃油箱

Draft 19

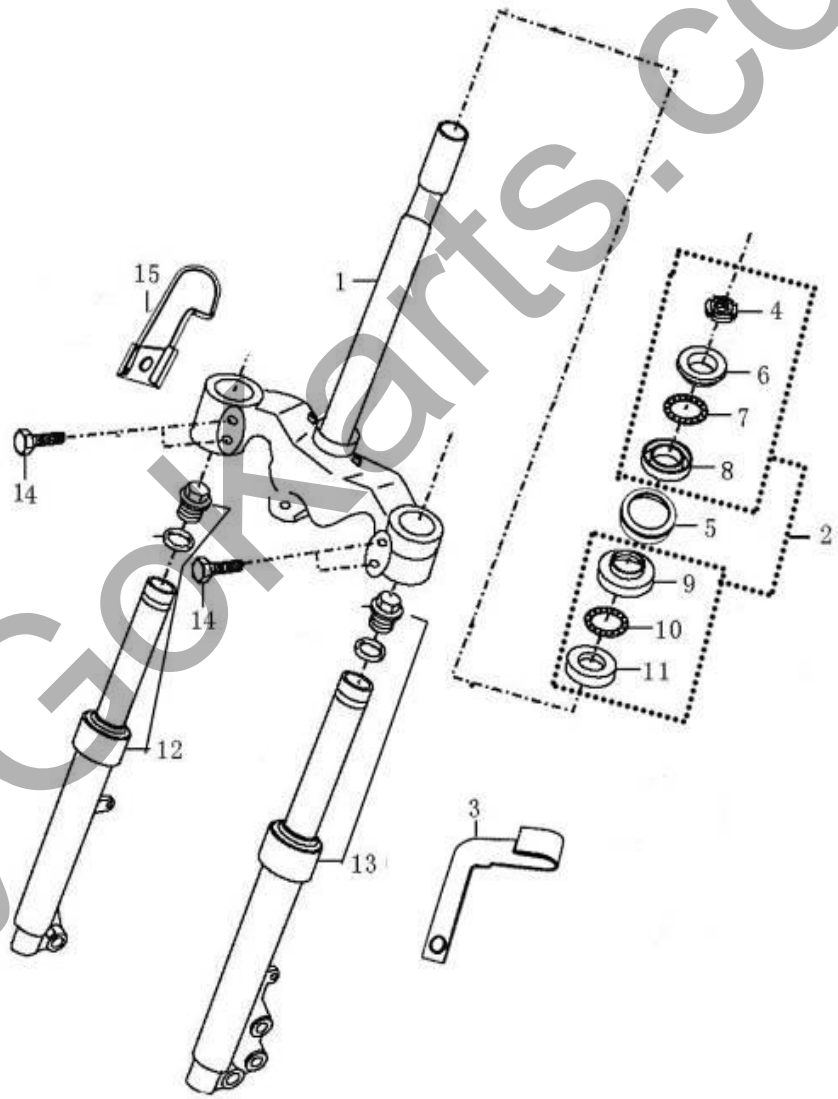


NO.	Part NO.	New NO.	Old NO.	Description
1	1170404-1	[701838	700460	Fuel Level Sensor Comp.
2	2170104-2	[701839	700461	Oil Seal Gasket for Sensor
3	2170104-1	[701840	700462	Block Cap, Sensor
4	1170401-2	[700463	700463	Fuel Tank Assy (with carbon tank)
4A	1170401-1	[700564		Fuel Tank Assy (without carbon tank)
5	9050606012-5	[706104		Flange Bolt, M6×12
6	9050606016-5	[706105		Flange Bolt, M6×16
7	9070506001-5	[706101		Flange Nut, M6
8	1030407-1	[700464	700464	Block Holder, Fuel Tank
9	1170405-1	[700594	700465	Fuel Valve Assy (Automatic imbibition, Trident, small)
10	1170406-1	[700466	700466	Fuel Tube $\phi 10 \times \phi 5$
11	1170407-1	[700467	700467	Fuel Filter
12	1170408-1	[700308	700468	Clip, $\phi 10(1mm)$

13	1170406-2	[700469	700469	Vacuum Air Tube, $\phi 7 \times \phi 4$
14	1170408-2	[700470	700470	Clip, $\phi 7(1mm)$
15	1170402-1	[700545		Fuel Stop valve
16	1030408-1	[700596	700472	Bracket, Rear Baggage Rack

图20

Draft 20

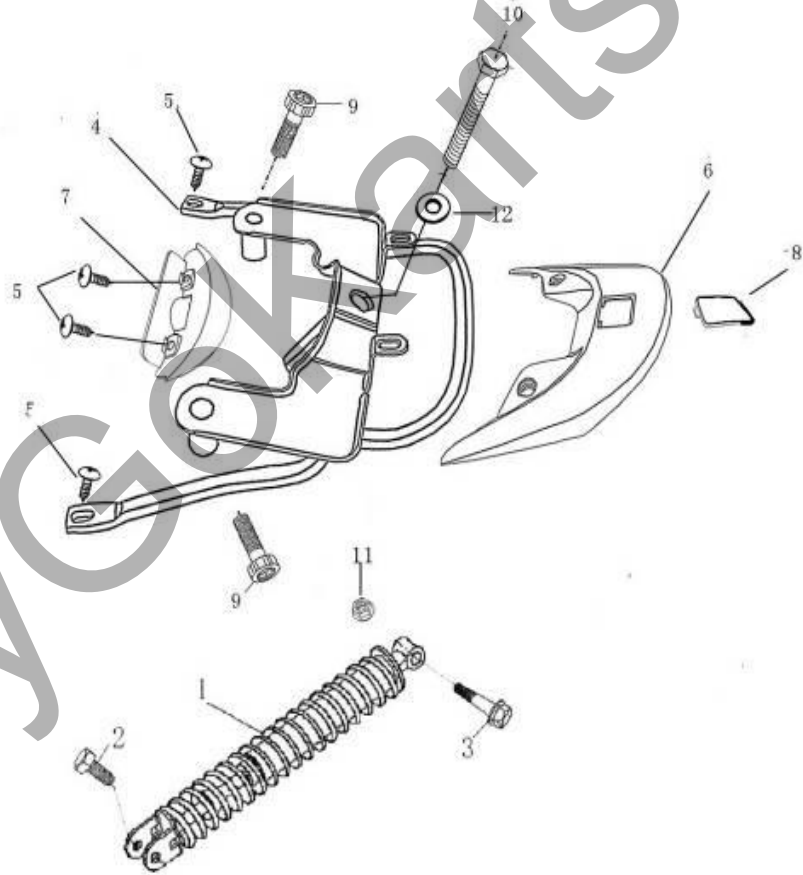


NO.	Part NO.	New NO.	Old NO.	Description
1	1030402-4	[706510		Lower Bridge Assy, Steer Stem 375mm
2	1090203	[700567		Steel Ball Bowl Assy
3	1090405	[700475	700475	Clamp, fuel tube
4			700476	Nut, Stem lock
5	2090203-1	[701177	701177	dustproof cover

6			700478	Race, steering outer, upper
7			700479	ball upper
8			700480	Race, steering outer, upper
9			700481	Race, steering outer, lower
10			700482	Ball lower
11			700483	Race, steering outer, lower
12	1090401-2	[701754	701754	R. Front Shock Absorber 385mm
13	1090402-2	[701755	701755	L. Front Shock Absorber 385mm
14	9050608040-5	[706116		Flange Bolt, M8×40
15	1090406	[700598		Clamp, speedometer cable

图21

Draft 21

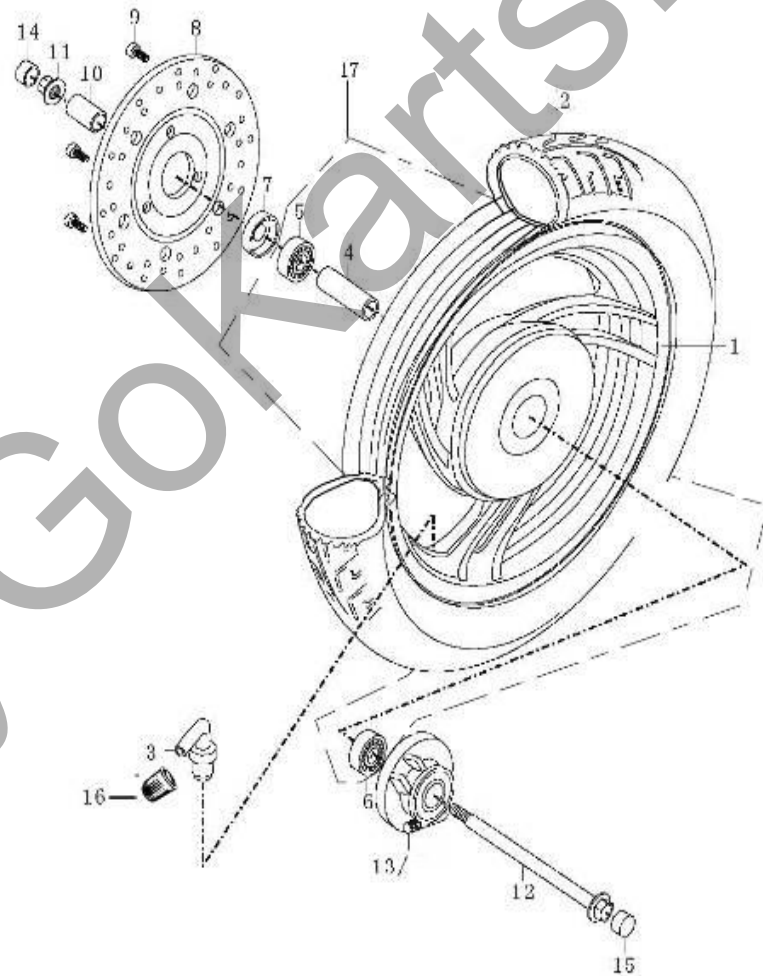


NO.	Part NO.	New NO.	Old NO.	Description
1	1100404-2 ()	[701790		Rear Shock Absorber Assy
2	9030908032-3	[700251	700251	Hex Bolt, M10×32
3	9050610040-5	[706124		Flange Bolt, M10×40
4	1030411-2	[700610	700610	Rear Baggage Rack II
5	9111742012-5	[706131		Screw, Tapping ST4.2×12

6	1020413 (114)	[706511		Front decorate Rear Buggage Rack, Red
6A	1020413 (86)	701816	700661	Front decorate Rear Buggage Rack (black)
7	1010421	[700663	700663	Small decorate Rear Buggage Rack, black
8	1010422	[700613	700613	Rear decorate Rear Buggage Rack, black
8	1010422 (114)	[706520		Rear decorate Rear Buggage Rack, Red
9	9021108045-5	[703818	700084	Inner Hex Screw, M8×45
10	9091208085-5	[703817	700086	Inner Hex Screw, M8×85
11	9080710001-5	[706122		Flange Lock Nut, M10
12	9181308016-5	[706156		Plain Washer, $\phi 8 \times \phi 16$

图22

Draft 22



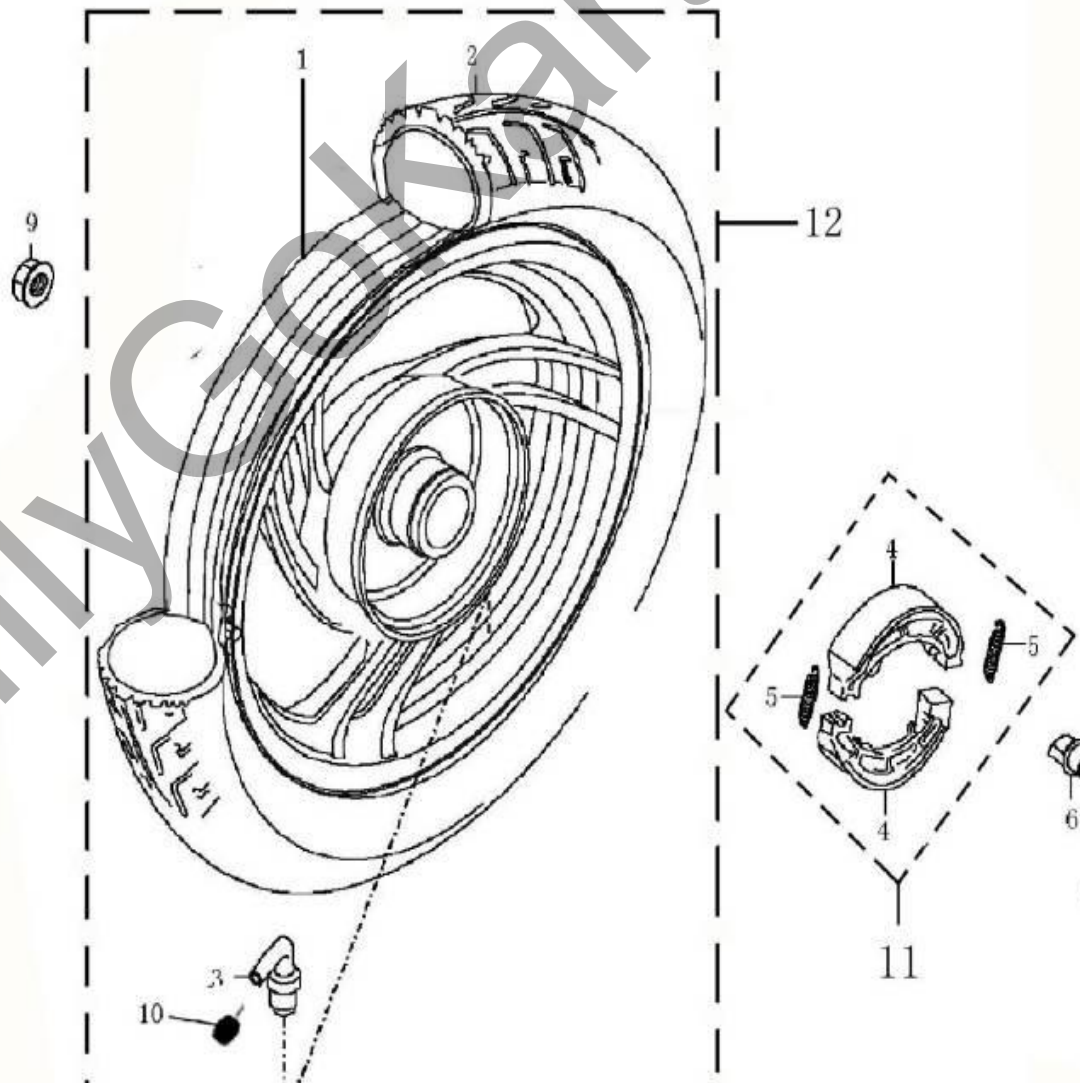
NO.	Part NO.	New NO.	Old NO.	Description
1	1040401-2(128)	[701903	700614	Rim, Front Wheel 2.15-10(Alu, disc break)
2	1040502-2	[700493	700493	Tyre, Front Wheel 3.50-10 (CST)
3	1040501-1	[701818	700494	Tubeless Valve

4	2040201-1	[700495	700495	Bush ($\phi 18 \times \phi 14 \times 50.5$)
5	2040201-2	[700207	700207	Bearing 6300RS
6	2040201-2	[700207	700207	Bearing 6300RS
7	2040201-3	[700252	700252	Oil seal ,20-35-7
8	1090407-1	[701892	700496	Brake Disc. Assy, Front Wheel $\phi 155 \times 3.5$
9	8010608025-4	[700253	700253	Inner Hex Bolt, M8 \times 25
10	2090408-4	[706163		Bush, $\phi 10 \times \phi 20 \times 20$
11	9080710001-5	[706122		Flange Lock Nut, M10
12	2090408-3	[706149		Bolt M10 \times 205
13	1090408-1	[700498	700498	Count Gear Box 15:8, Odometer
14	1120225-1	[700568	700499	Front wheel spindle bonnet (14#)
15	1120406-1	[700569	700450	Front wheel spindle bonnet (12#)
16	2040501-1	[700831	700831	Cap, Tubeless Valve
17	2040001	[700500	700500	Rim, Front Wheel Assy(include 1,2,3,4,17)

图23

后轮

Draft 23

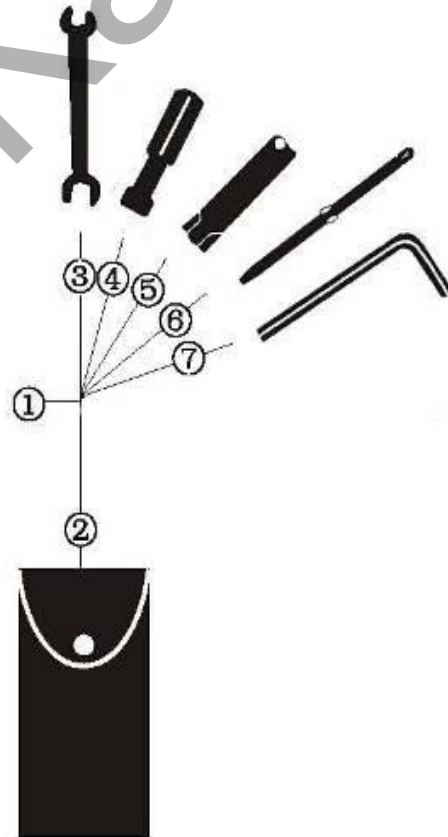




NO.	Part NO.	New NO.	Old NO.	Description
1	1040402-4(128)	[701904	700615	Rim, Rear Wheel 2.15-10
2	1040502-2	[700493	700493	Tyre, Rear Wheel 3.50-10(CST)
3	1040501-1	[701818	700494	Tubeless Valve
4	2100403-5	[701819	700502	Brake Shoes Set, Rear Brake (φ110mm)
5	2100403-6	[701820	700503	Return Spring, Brake Shoes
6	2100403-7	[701821	700504	Camshaft, Rear Brake
7	2100403-8	[701822	700505	Rocker Arm, Rear Brake
8	9050606035-5	[706108		Flange Bolt, M6×35
9	9080716001-5	[706167		Flange Lock Nut, M16
10	2040501-1	[700831	700831	Cap, Tubeless Valve
11	1100403-2	[701897		Brake Shoes Set, Rear Brake, assy
12	2040402-2	[703103		Rear Wheel Assy(1, 2, 3, 10)

图24

Draft 24

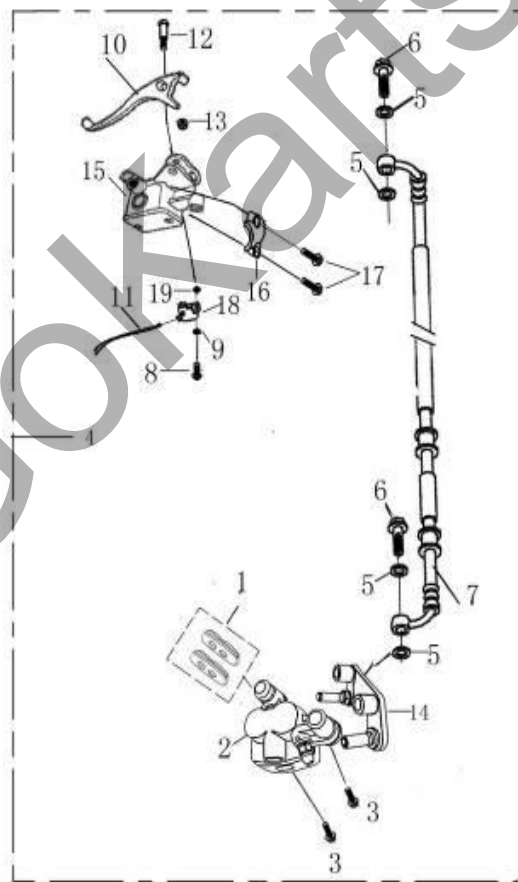


NO.	Part NO.	New NO.	Old NO.	Description
1	1210008-2	[701823		Tools Assy (4stroke)
2				Tools Bag
3				Double Ended Spanner 10-12
4				Double Ended Screw DriverSocket
5				Spark Plug Socket
6				Double Ended Screw Driver
7				Inner Hex Spanner
8	1210407-3			Manual

图25

前液压制

Draft 25

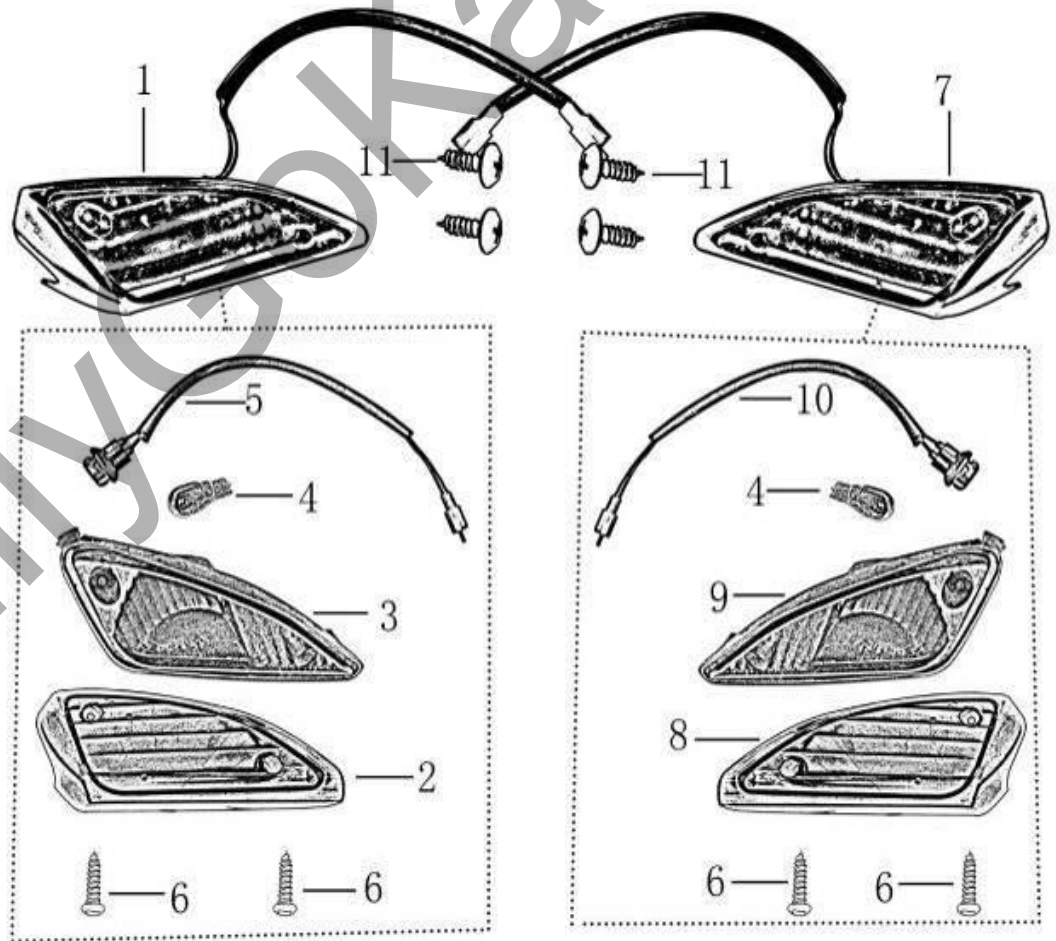


NO.	Part NO.	New NO.	Old NO.	Description
1	2090404-2	[700526	700526	Brake Plate Assy
2	2090404-4	[701893	700525	Caliper Comp, Front Brake (Double pump)
3	9050608030-5	[706114		Flange Bolt, M8×30
4	1090404-4	[706526		Front Hydraulic Brake System (Double pump)
5	2090404-9	[700845	700845	Copper Washer

6	2090404-10	[700844	700844	Connect Bolt, Hose, Front Brake
7	2090404-11	[700522	700522	Front Hydraulic Hose, Front Brake (900mm)
8	9101504012-3	[700280	700280	Screw, M4×12
9	9150204001-3	[700013	700013	Spring Washer, φ4
10	2090404-23	[706527		Lever, Right Handle
11	2090404-13	[701825	701136	Wire Cable, Front Brake Switch
12	9210906030-1	[700295	700295	Hex Bolt, Brake Lever, M6×30
13	9191806001-1	[700263	700263	Hex Lock Nut, M6
14	2090404-7	[700549	700549	Bracket, Caliper Comp, front Brake, (Double pump)
15	2090404-22	[706528		Front Hydraulic Cylinder
16	2090404-15	[701826	700521	Cap, Front Hydraulic Cylinder
17	9040606022-1	[700272	700183	Bolt, M6×22
18	2090204-7	[701135	701135	Switch, Front Brake
19	9161304008-3	[700031	700031	Plain Washer, φ4×φ8

图27

Draft 27



NO.	Part NO.	New NO.	Old NO.	Description
1	1010416-4	[706512		L. Front Turning Light Assy
2	2010416-2	[706513		Len, Front Left Turning Light
3	2010416-3	[706514		Body Front Left Turning Light
4	2010417-1	[702908	700362	Bulb, 12V10W
5	2010416-4	[706515		Wire Cable, L. Front Turning Light
6	9111738016-4	[703835		Screw, Tapping ST3.8×16
7	1010417-4	[706516		R. Front Turning Light Assy
8	2010417-2	[706517		Len, Front Right Turning Light
9	2010417-3	[706518		Body Front Right Turning Light
10	2010117-4	[706519		Wire Cable, R. Front Turning Light
11	9111742012-5	[706131		Screw, Tapping ST4.2×12



Company Brief



浙江永源摩托车制造有限公司

Zhejiang Jonway Motorcycle Manufacturing Co., Ltd.

地址: 318050 浙江省台州市路桥区路南后阮村

Address: 318050 Houruan Village, Luqiao District, Taizhou City,
Zhejiang Province, China

网址/Website: www.jonway.com

邮箱/E-mail: GROUP@jonway.com

电话/TEL: 0086-576- 82555888

传真/FAX: 0086-576-82555888



FamilyGokarts.com

FamilyGoKarts.com

.....1
.....2
.....3
.....4
.....5
.....6
.....7
.....8
.....9
.....10
.....11
.....12
.....13
VER.....14
.....15
.....16
.....17
.....18
.....19
.....20
.....21
.....22
.....23
.....24
.....25
.....26

FamilyGokarts.com

—

Feature

Feature
Color zinc
white zinc
white zinc
Dark Green

FamilyGokarts.com

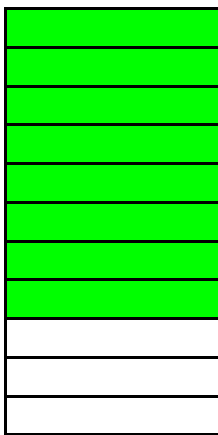
FamilyGokarts.com

Feature



Feature

FamilyGokarts.com



Feature
white zinc
Orange

Red

—

Feature
III
III
III
III
III

FamilyGokarts.com

Color zinc
white zinc

—

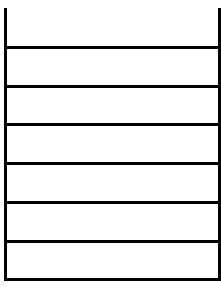
Feature
amber

FamilyGokarts.com

FamilyGokarts.com

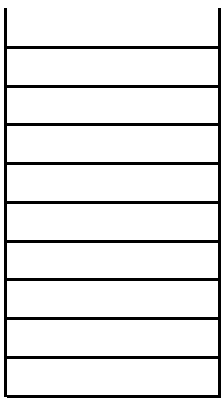
Feature

FamilyGokarts.com



Feature
Color zinc
Color zinc
Color Zinc

FamilyGokarts.com



Feature

FamilyGokarts.com

—

Feature
black
black

Color zinc

—

Feature
Chrome

FamilyGokarts.com

Chrome

—

Feature
Black
Color Zinc

FamilyGokarts.com

FamilyGokarts.com

—

Feature

FamilyGokarts.com

white zinc



Feature

—

Feature
Dark Green

FamilyGokarts.com

Dark Green
Color Zinc
Color Zinc
Black
Dark green
Dark green
Dark green
Color Zinc

FamilyGokarts.com

Feature
Orange
white zinc



FamilyGokarts.com

FamilyGokarts.com

