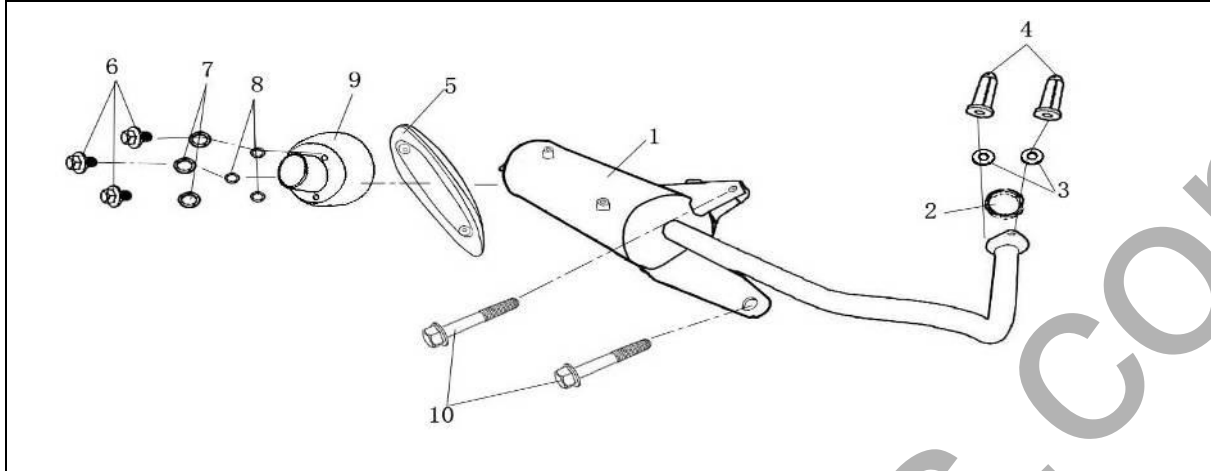


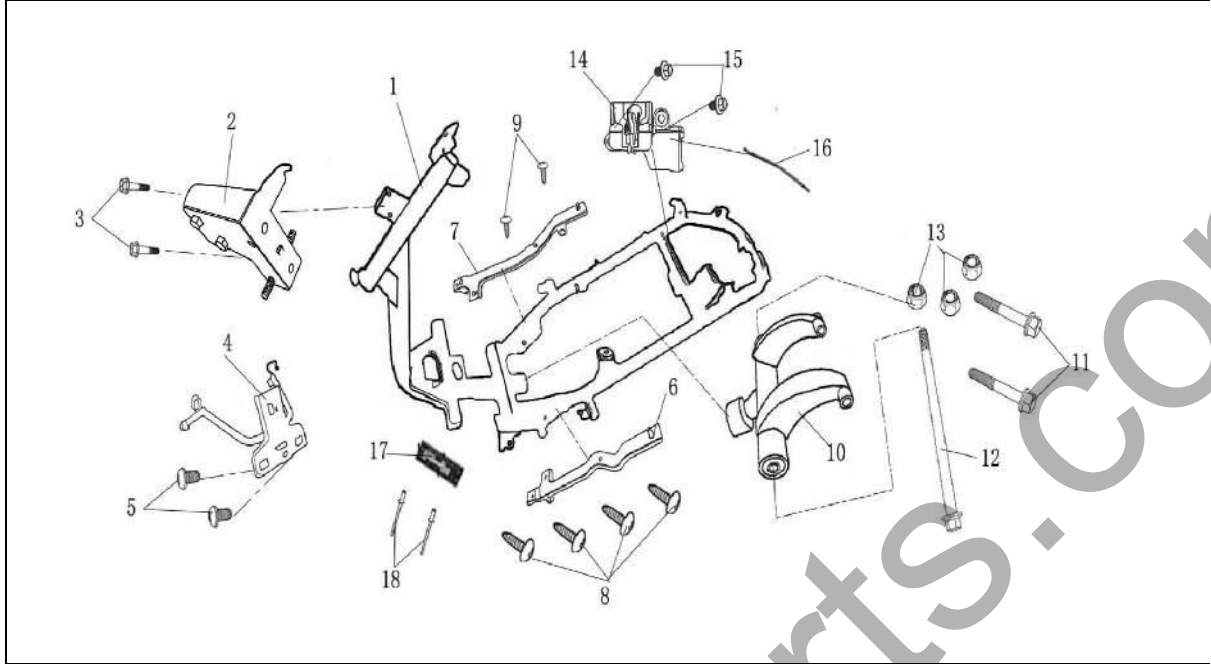
JONWAY 50QT-6 PARTS CATALOGUE

图 1	消声器	Model	JONWAY 50QT-6
Draft 1	EXHAUST MUFFLER	Part No.	YY50QT01000



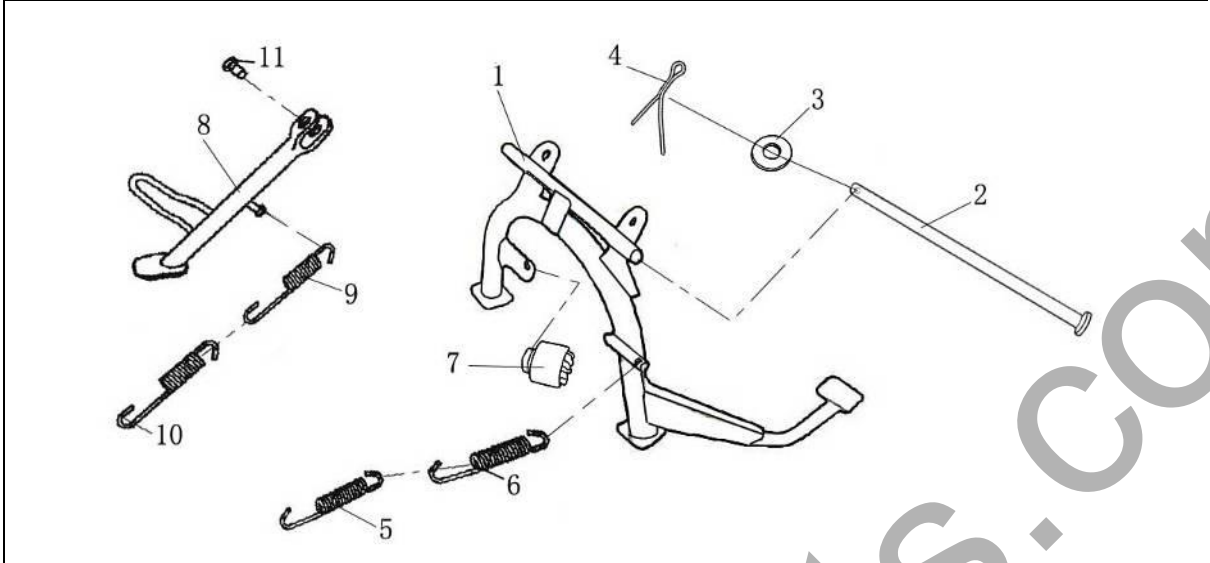
NO.	Part NO.	Description
1	YY50QT001001	Exhaust Muffler
2	YY50QT001002	Washer, Exhaust Outlet
3	YY50QT001003	Washer
4	YY50QT001004	Cap Nut, M6
5	YY50QT001005	Decorating Plate, Muffler
6	GB/T5787-M6×10	Flange Bolt, M6×10
7	GB/T95-φ6	Plain Washer, φ6
8	GB/T93-φ6	Spring Washer, φ6
9	YY50QT001006	Tail Insulate Cover, Muffler
10	GB/T5789-M8×40	Bolt, M8×40

图 2	车架	Model	JONWAY 50QT-6
Draft 2	FRAME	Part No.	YY50QT02000



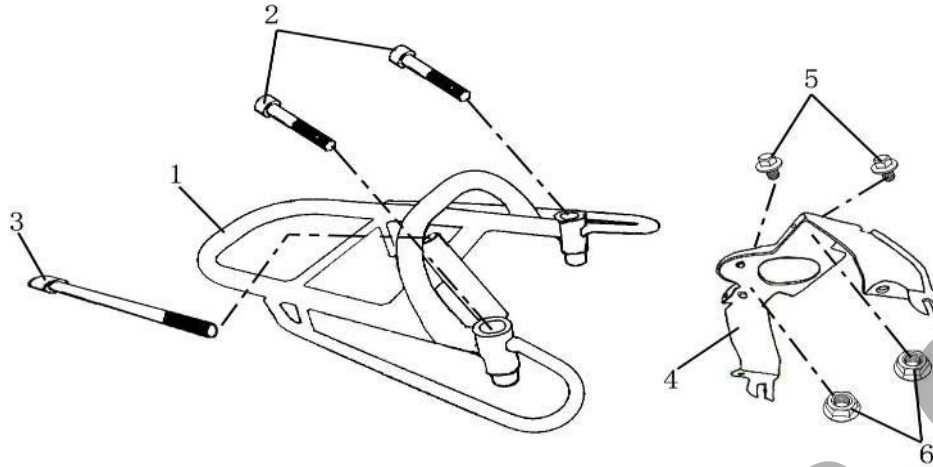
NO.	Part NO.	Description
1	YY50QT002001	Frame
2	YY50QT002002	Bracket, Horn
3	GB/T5789-M6×30	Bolt, M6×30
4	YY50QT002003	Bracket, Front Mudguard
5	GB/T818-M6×16	Screw, M6×16
6	YY50QT002004	L. Side Holder
7	YY50QT002005	R. Side Holder
8	GB/T845-ST4.8×16	Screw, Tapping ST4.8×16
9	GB/T845-ST4.2×12	Screw, Tapping ST4.2×12
10	YY50QT002006	Engine Mount
11	GB/T5789-M10×70	Bolt, M10×70
12	YY50QT002007	Engine Mount Bolt, M10×1.25×240
13	GB/6187.1-M10	Flange Lock Nut, M10
14	YY50QT002008	Lock Assy, Seat
15	GB/T5789-M6×16	Flange Bolt, M6×16
16	YY50QT002009	Cable, Seat Lock
17	YY50QT002010	Statutory Inscription Plate
18	GB/T12615	Rivet, Statutory Inscription Plate

图 3	主支架/侧支架	Model	JONWAY 50QT-6
Draft 3	MAIN / SIDE STAND	Part No.	YY50QT03000



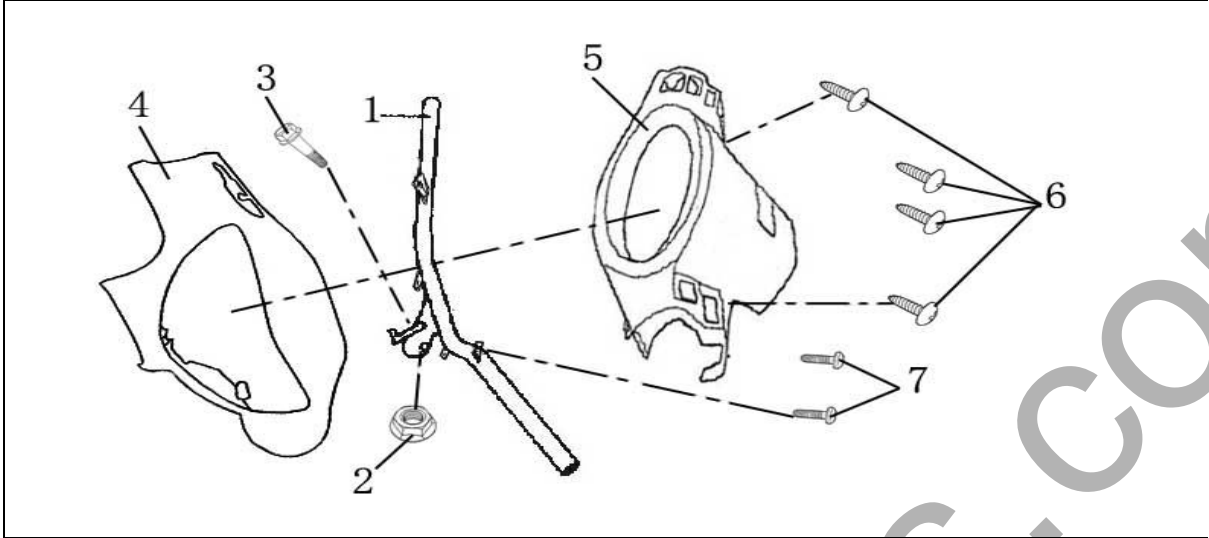
NO.	Part NO.	Description
1	YY50QT003001	Main Stand Assy
2	YY50QT003002	Main Stand Axle, $\phi 8 \times 170$
3	GB/T95- $\phi 8$	Plain Washer, $\phi 8$
4	YY50QT003003	Clip Pin
5	YY50QT003004	Side Spring, Main Stand
6	YY50QT003005	Spring, Main Stand
7	YY50QT003006	Retainer Rubber, Main Stand
8	YY50QT003007	Side Stand Assy
9	YY50QT003008	Spring, Side Stand
10	YY50QT003009	Side Spring, Side Stand
11	YY50QT003010	Bolt, Side Stand

图 4	后货架	Model	JONWAY 50QT-6
Draft 4	REAR BAGGAGE RAC	Part No.	YY50QT04000



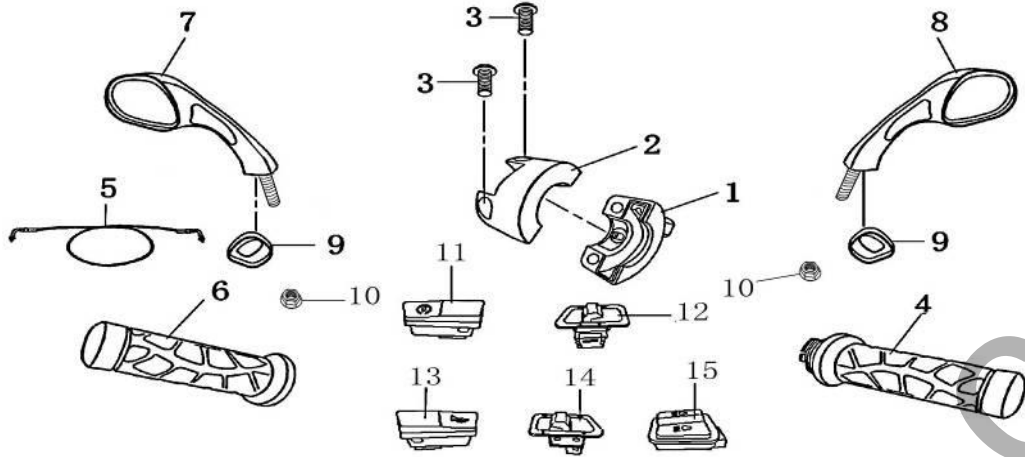
NO.	Part NO.	Description
1	YY50QT004001	Rear Baggage Rack
2	GB/T70.1-M8×40	Inner Hex Screw, M8×40
3	GB/T70.1-M8×85	Inner Hex Screw, M8×85
4	YY50QT004002	Bracket, Rear Baggage Rack
5	GB/T5789-M6×12	Flange Bolt, M6×12
6	GB/T6177.1-M6	Flange Nut, M6

图 5	方向把/方向把罩	Model	JONWAY 50QT-6
Draft 5	HANDLE, METER CAS	Part No.	YY50QT05000



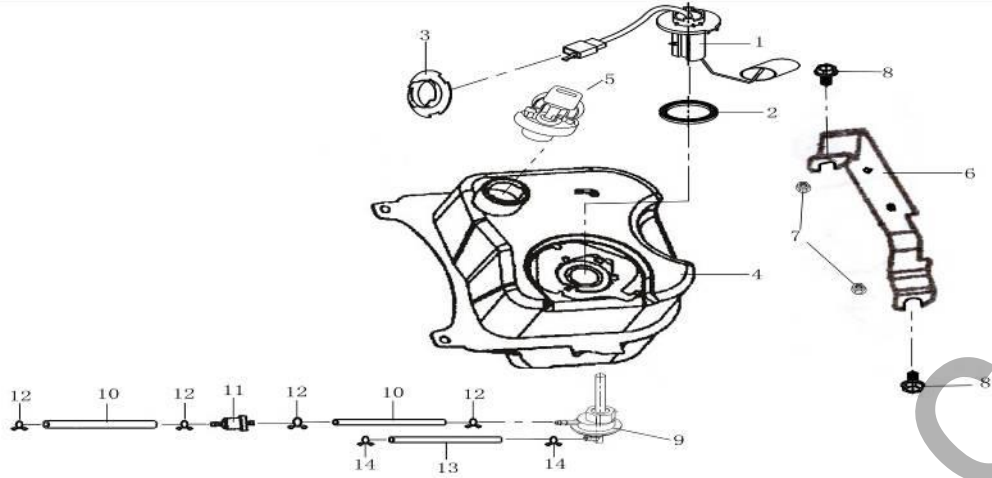
NO.	Part NO.	Description
1	YY50QT005001	Handle Comp
2	GB/T6187.1-M10	Flange Lock Nut, M10
3	GB/T5789-M10x45	Flange Bolt, M10x45
4	YY50QT005002	Case, Front Turning Light
5	YY50QT005003	Case, Meter
6	GB/T845-ST4.2x16	Screw, Tapping ST4.2x16
7	GB/T818-M5x16	Bolt, M5x16

图 6	操纵手把/后视镜/钢索/	Model	JONWAY 50QT-6
Draft 6	HANDLEBAR, REAR VIEW MIRROR, CABLE & SWITCH	Part No.	YY50QT06000



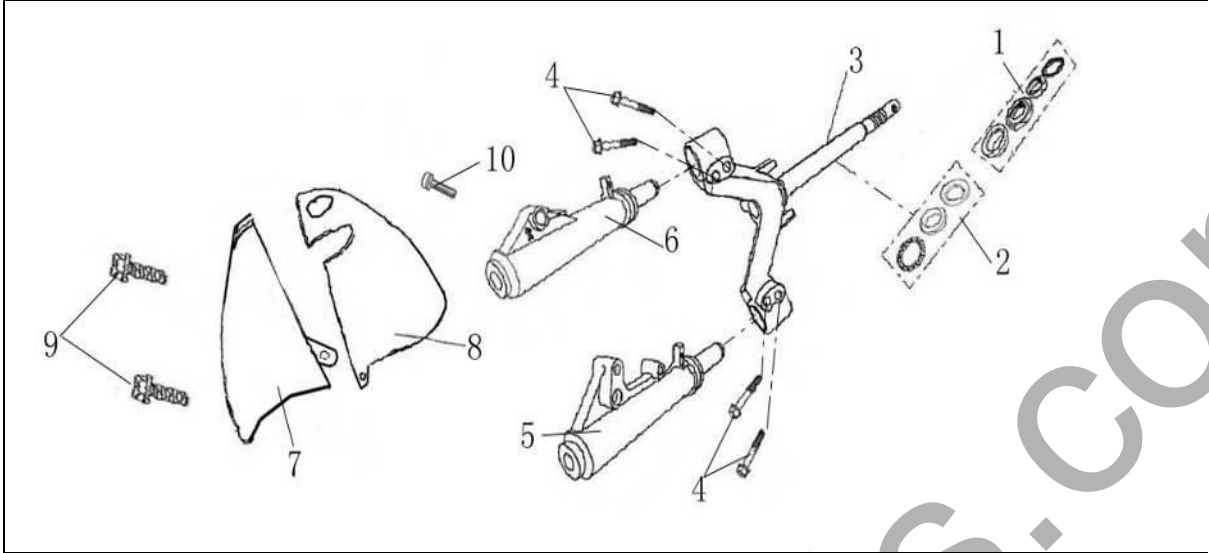
NO.	Part NO.	Description
1	YY50QT006001	Holder, Throttle at Right Handle
2	YY50QT006002	Rear Holder, Throttle Cable
3	GB/T818-M5×25	Screw, M5×25
4	YY50QT006003	Rubber Grip, R. Handle(Throttle Control)
5	YY50QT006004	Throttle Cable
6	YY50QT006005	Rubber Grip, L. Handle
7	YY50QT006006	Rear View Mirror, L.
8	YY50QT006007	Rear View Mirror, R.
9	YY50QT006008	Rubber Cover, Rear View Mirror
10	GB/T6177.1-M8	Flange Nut, M8
11	YY50QT006009	Electric Start Switch
12	YY50QT006010	Headlight Switch
13	YY50QT006011	Horn Switch
14	YY50QT006012	Turning Light Switch
15	YY50QT006013	Dimmer Switch

图 7	燃油箱	Model	JONWAY 50QT-6
Draft 7	FUEL TANK	Part No.	YY50QT07000



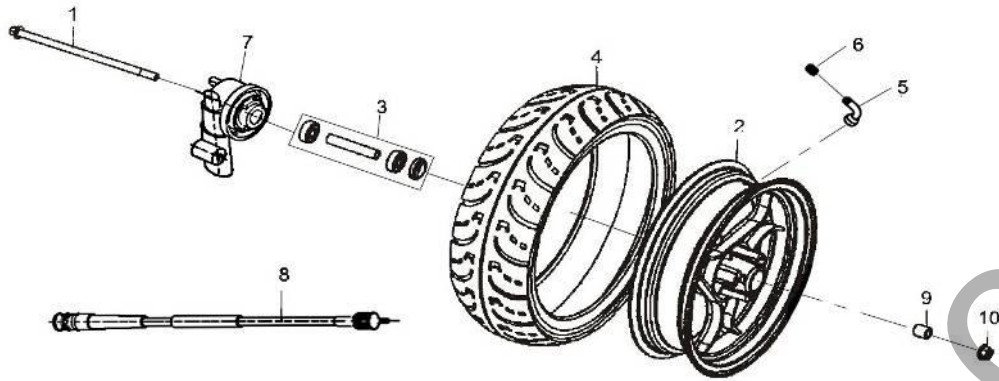
NO.	Part NO.	Description
1	YY50QT007001	Fuel Level Sensor
2	YY50QT007002	Oil Seal Gasket for Sensor
3	YY50QT007003	Block Cap, Sensor
4	YY50QT007004	Fuel Tank Assy
5	YY50QT007005	Cap Assy, Fuel Tank
6	YY50QT007006	Block Holder, Fuel Tank
7	GB/T6177.1-M6	Flange Nut, M6
8	GB/T5789-M6×12	Bolt, M6×12
9	YY50QT007007	Fuel Valve Assy
10	YY50QT007008	Fuel Tube
11	YY50QT007009	Fuel Filter
12	YY50QT007010	Clip, Fuel Tube φ5
13	YY50QT007011	Vacuum Air Tube
14	YY50QT007012	Clip, Fuel Tube φ4

图 8	方向柱/前减震	Model	JONWAY 50QT-6
Draft 8	STEERING / FRONT S	Part No.	YY50QT08000



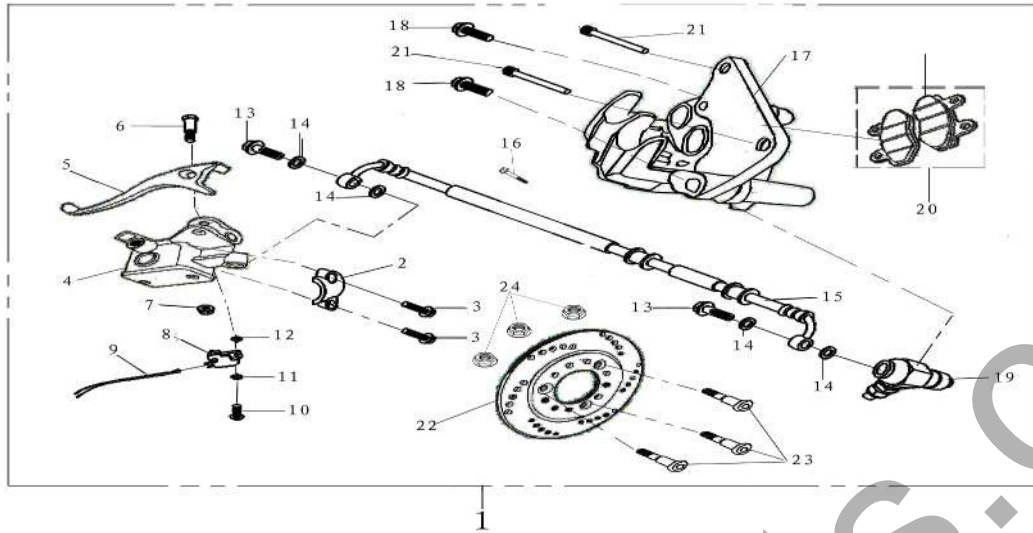
NO.	Part NO.	Description
1	YY50QT008001	Top Protrude, Steel Ball Bowl Assy
2	YY50QT008002	Bottom Concave, Steel Ball Bowl Assy
3	YY50QT008003	Lower Bridge Assy, Steer Stem
4	GB/T5789-M8×40	Bolt, M8×40
5	YY50QT008004	L. Front Shock Absorber
6	YY50QT008005	R. Front Shock Absorber
7	YY50QT008006	Front, Front Mudguard
8	YY50QT008007	Rear, Front Mudguard
9	GB/T5789-M6×16	Flange Bolt, M6×16
10	GB/T9074.1-M5×16	Screw with Washer, M5×16

图 9	前轮	Model	JONWAY 50QT-6
Draft 9	FRONT WHEEL	Part No.	YY50QT09000



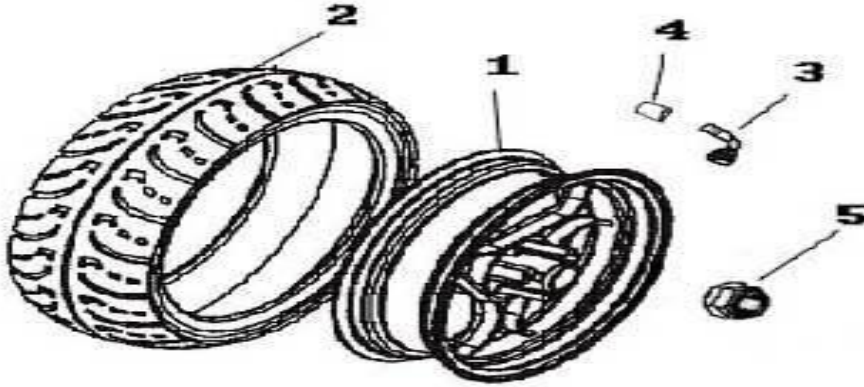
NO.	Part NO.	Description
1	YY50QT009001	Axle, Front Wheel, M10×190
2	YY50QT009002	Rim, Front Wheel
3	YY50QT009003	Separate Collar Set, Front Wheel Axle
4	YY50QT009004	Tyre, Front Wheel 3.50-10
5	YY50QT009004	Tubeless Valve
6	YY50QT009005	Cap, Tubeless Valve
7	YY50QT009006	Count Gear Box, Odometer
8	YY50QT009008	Cable, Odometer
9	YY50QT009009	Collar, $\phi 10 \times \phi 20 \times 19$
10	GB/T6187.1-M10	Flange Lock Nut, M10

图 10	前液压制动器	Model	JONWAY 50QT-6
Draft 10	FRONT HYDRAULIC	Part No.	YY50QT10000



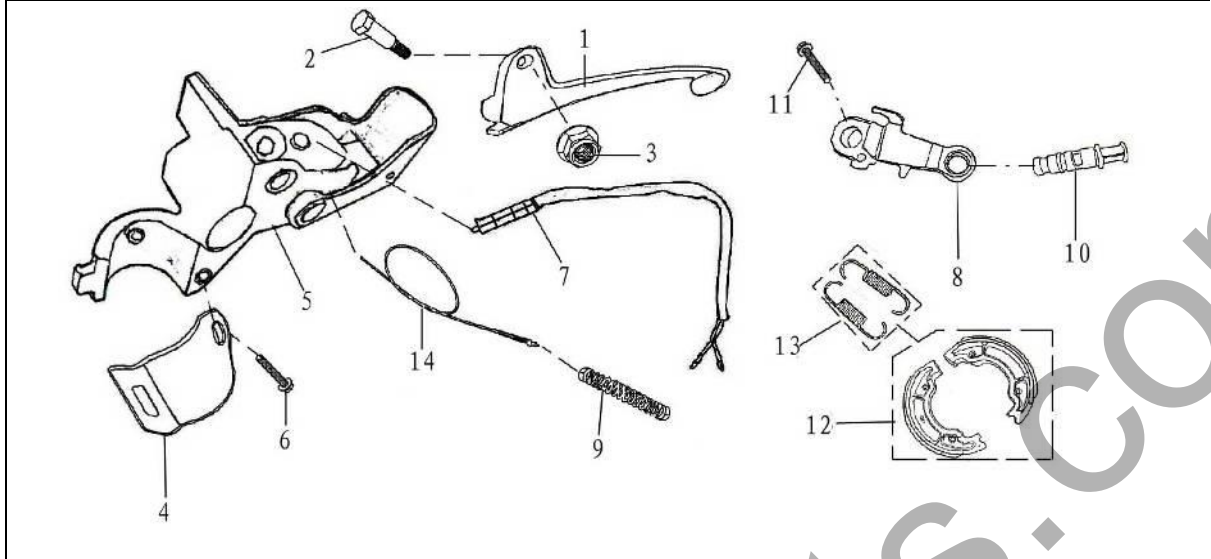
NO.	Part NO.	Description
1	YY50QT010000	Front Hydraulic Brake System
2	YY50QT010001	Cap, Front Hydraulic Cylinder
3	GB/T5789-M6×22	Bolt, M6×22
4	YY50QT010002	Front Hydraulic Cylinder Comp
5	YY50QT010003	Lever, Right Handle
6	YY50QT010004	Bolt, Front Brake Lever
7	GB/T6187.1-M6	Flange Lock Nut, M6
8	YY50QT010005	Switch, Front Brake
9	YY50QT010006	Wire Cable, Front Brake Switch
10	GB/T818-M4×12	Screw, M4×12
11	GB/T95-φ4	Plain Washer, φ4
12	GB/T93-φ4	Spring Washer, φ4
13	YY50QT010007	Connect Bolt, Hose, Front Brake
14	YY50QT010008	Copper Washer
15	YY50QT010009	Hydraulic Hose, Front Brake
16	GB/T5789-M6×16	Bolt, M6×16
17	YY50QT010010	Caliper Comp, Front Brake
18	GB/T5789-M8×30	Bolt, M8×30
19	YY50QT010011	ABS Assy
20	YY50QT010012	Brake Plate Assy, Front Brake
21	YY50QT010013	Bolt, Brake Plate Assy, Front Brake
22	YY50QT010014	Brake Disc. Assy, Front Wheel
23	GB/T2672-M8×25	Inner Hex Bolt, M8×25
24	GB/T6187.1-M8	Flange Lock Nut, M8

图 11	后轮	Model	JONWAY 50QT-6
Draft 11	REAR WHEEL	Part No.	YY50QT11000



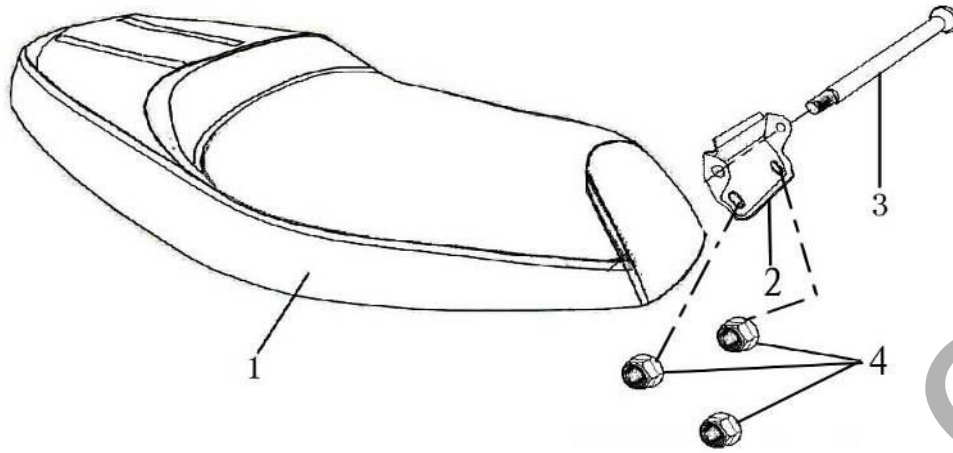
NO.	Part NO.	Description
1	YY50QT011001	Rim, Rear Wheel
2	YY50QT011002	Tyre, Rear Wheel 3.50-10
3	YY50QT011003	Tubeless Valve
4	YY50QT011004	Cap, Tubeless Valve
5	GB/T6187.1-M16	Flange Lock Nut, M16

图 12	后制动器	Model	JONWAY 50QT-6
Draft 12	REAR DRUM BRAKE	Part No.	YY50QT12000



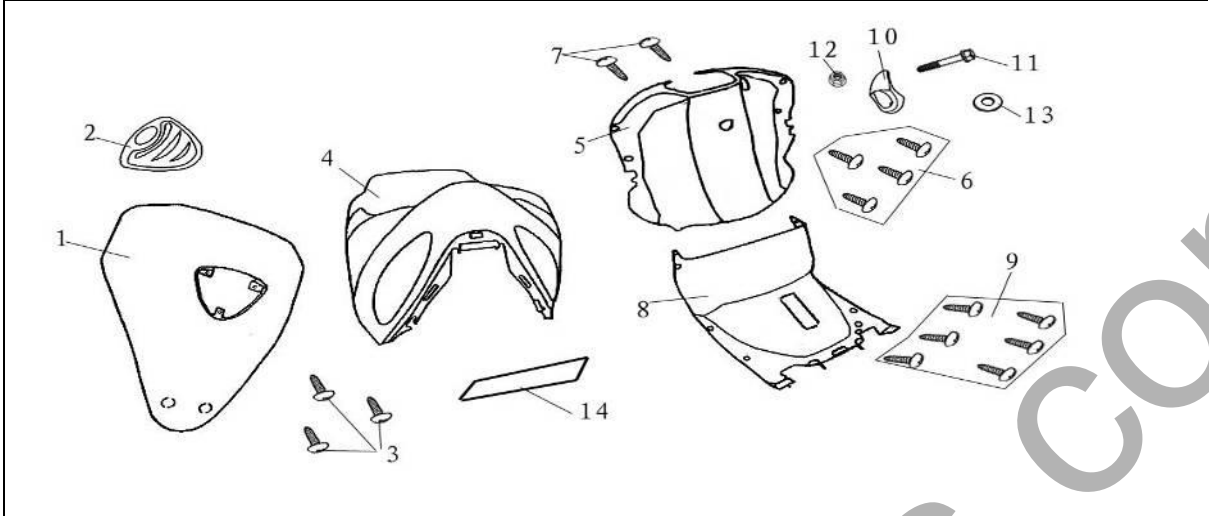
NO.	Part NO.	Description
1	YY50QT012001	Rear Brake Lever
2	YY50QT012002	Bolt, Rear Brake Lever
3	GB/T6187.1-M6	Flange Lock Nut, M6
4	YY50QT012003	Fixing Plate, Rear Brake Lever
5	YY50QT012004	Holder Assy, Rear Brake Lever
6	GB/T5787-M6×16	Bolt, M6×16
7	YY50QT012005	Switch, Rear Brake
8	YY50QT012006	Rocker Arm, Rear Brake
9	YY50QT012007	Return Spring, Rear Brake Cable
10	YY50QT012008	Camshaft, Rear Brake
11	GB/T5789-M6×35	Flange Bolt, M6×35
12	YY50QT012009	Brake Shoes Set, Rear Brake
13	YY50QT012010	Return Spring, Brake Shoes
14	YY50QT012011	Cable, Rear Brake

图 13	座垫	Model	JONWAY 50QT-6
Draft 13	SEAT	Part No.	YY50QT13000



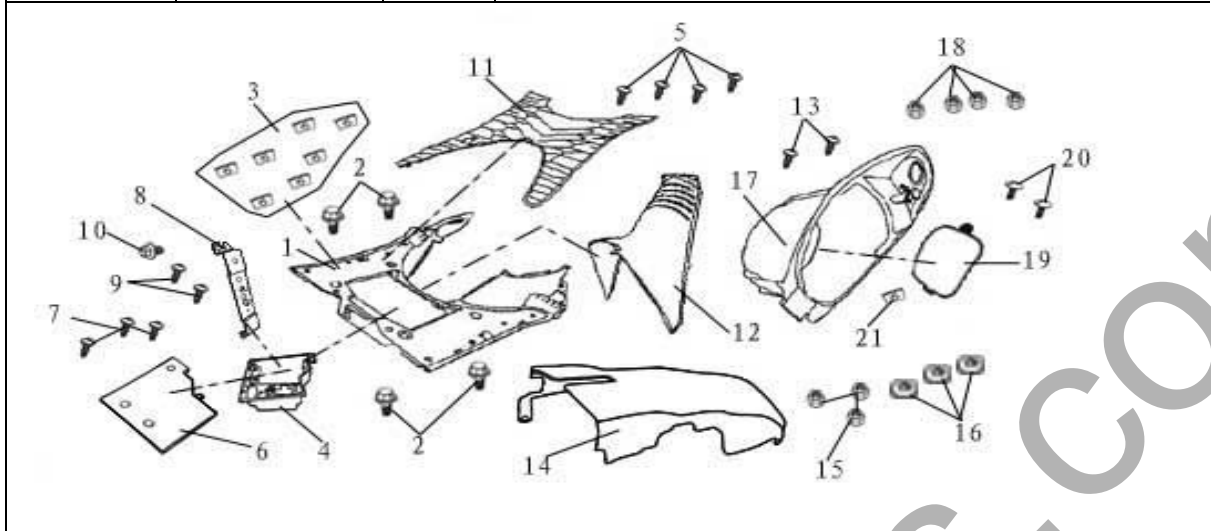
NO.	Part NO.	Description
1	YY50QT013001	Seat Assy
2	YY50QT013002	Rocker Arm, Seat
3	YY50QT013003	Rocker Arm Axle
4	GB/T6177.1-M6	Nut, M6

图 14	前面罩/前护条/工具箱	Model	JONWAY 50QT-6
Draft 14	FRONT COVER, SHIELD & LUGGAGE CARRIER	Part No.	YY50QT14000



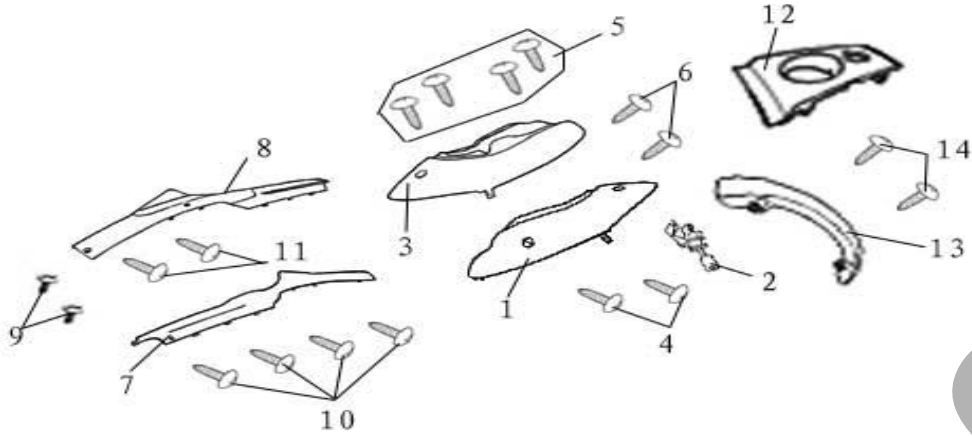
NO.	Part NO.	Description
1	YY50QT014001	Front Cover
2	YY50QT014002	Decorating Small Cover, Front Cover
3	GB/T845-ST4.2x12	Screw, Tapping ST4.2x12
4	YY50QT014003	Front Shield
5	YY50QT014004	Upper, Front Luggage Carrier
6	GB/T845-ST4.2x12	Screw, Tapping ST4.2x12
7	GB/T845-ST4.2x16	Screw, Tapping ST4.2x16
8	YY50QT014005	Lower, Front Luggage Carrier
9	GB/T845-ST4.2x16	Screw, Tapping ST4.2x16
10	YY50QT014006	Hook, Helmet
11	GB/T5789-M6x16	Flange Bolt, M6x16
12	GB/T6177.1-M6	Nut, M6
13	GB/T95-φ12	Plain Washer, φ12
14	YY50QT014007	Cover, Chassis No.

图 15	脚踏底板/置物箱/置物	Model	JONWAY 50QT-6
Draft 15	FOOTREST, LUGGAGE CABINET & ITS FRONT COVER	Part No.	YY50QT12500



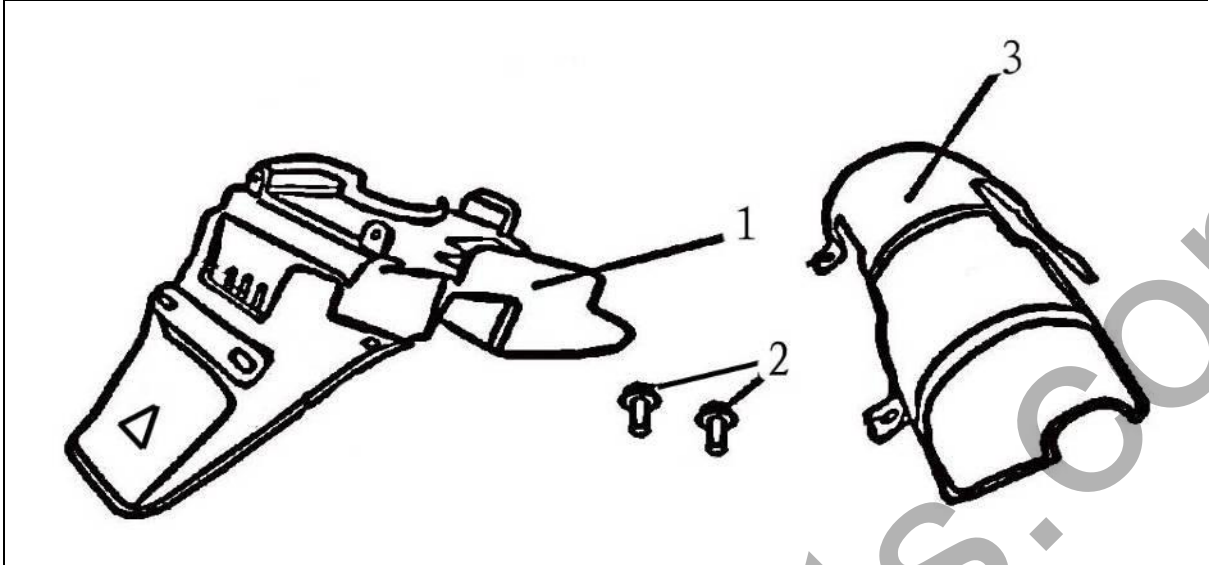
NO.	Part NO.	Description
1	YY50QT015001	Footrest Base Panel
2	YY50QT015002	Screw with Washer, M6×16
3	YY50QT015003	Clamp, 4.2mm
4	YY50QT015004	Box, Battery
5	GB/T845-ST4.8×16	Screw, Tapping ST4.8×16
6	YY50QT015005	Cover, Battery
7	GB/T845-ST4.2×16	Screw, Tapping ST4.2×16
8	YY50QT015006	Fixing Strip, Battery
9	GB/T845-ST4.2×12	Screw, Tapping ST4.2×12
10	GB/T5789-M6×12	Flange Bolt, M6×12
11	YY50QT015007	Rubber Mat
12	YY50QT015008	Front Cover, Luggage Cabinet
13	GB/T845-ST4.8×16	Screw, Tapping ST4.8×16
14	YY50QT015009	Fender, Frame
15	GB/T95-M6	Flange Nut, M6
16	GB/T6177.1-φ6	Plain Washer, φ6
17	YY50QT015010	Luggage Cabinet
18	GB/T95-M6	Flange Nut, M6
19	YY50QT015011	Inside Cover, Luggage Cabinet
20	YY50QT015012	Screw, M6×16
21	YY50QT015013	Clamp, M6

图 16	车体护板	Model	JONWAY 50QT-6
Draft 16	SIDE & REAR COVER	Part No.	YY50QT16000



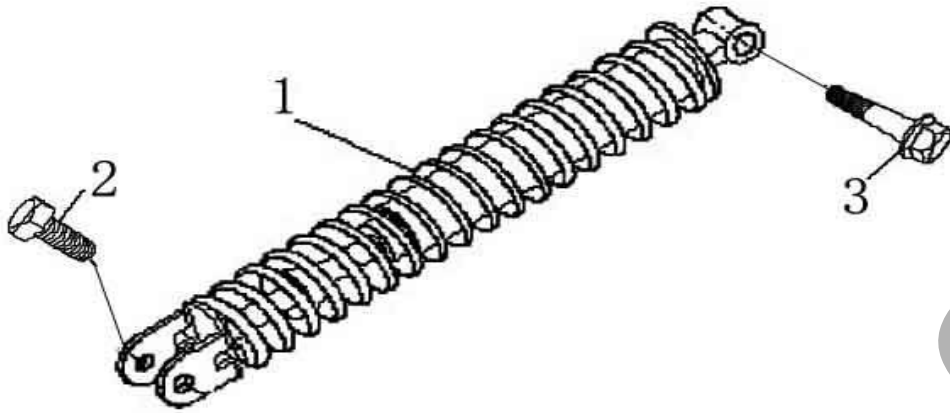
NO.	Part NO.	Description
1	YY50QT016001	L. Decorating Cover
2	YY50QT016002	Lock Assy, Seat
3	YY50QT016003	R. Decorating Cover
4	GB/T845-ST4.2x16	Screw, Tapping ST4.2x16
5	GB/T845-ST4.2x12	Screw, Tapping ST4.2x12
6	GB/T845-ST4.8x16	Screw, Tapping ST4.8x16
7	YY50QT016004	Left Shield
8	YY50QT016005	Right Shield
9	YY50QT016006	Screw, M6x16
10	GB/T845-ST4.8x16	Screw, Tapping ST4.8x16
11	GB/T845-ST4.2x12	Screw, Tapping ST4.2x12
12	YY50QT016006	Rear Central Decorating Cover
13	YY50QT016007	Rear Shield
14	GB/T845-ST4.2x12	Screw, Tapping ST4.2x12

图 17	后轮挡泥板	Model	JONWAY 50QT-6
Draft 17	REAR MUDGUARD	Part No.	YY50QT17000



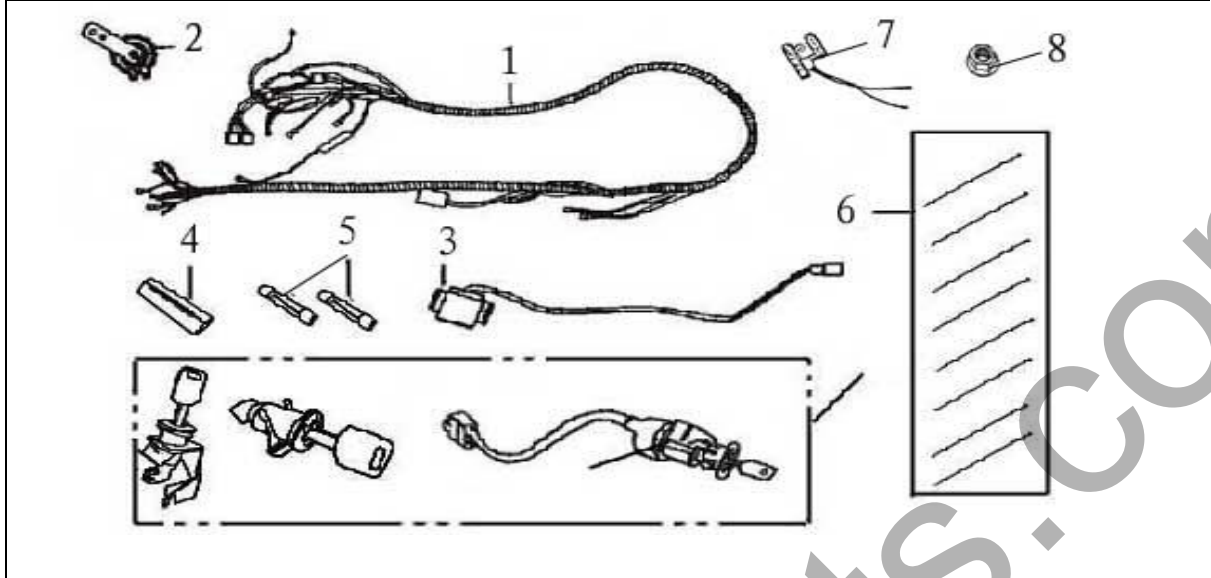
NO.	Part NO.	Description
1	YY50QT017001	Rear Fender
2	GB/T5789-M6×12	Flange Bolt, M6×12
3	YY50QT017002	Rear Mudguard, Rear Wheel

图 18	后减震器	Model	JONWAY 50QT-6
Draft 18	REAR SHOCK ABSOR	Part No.	YY50QT18000



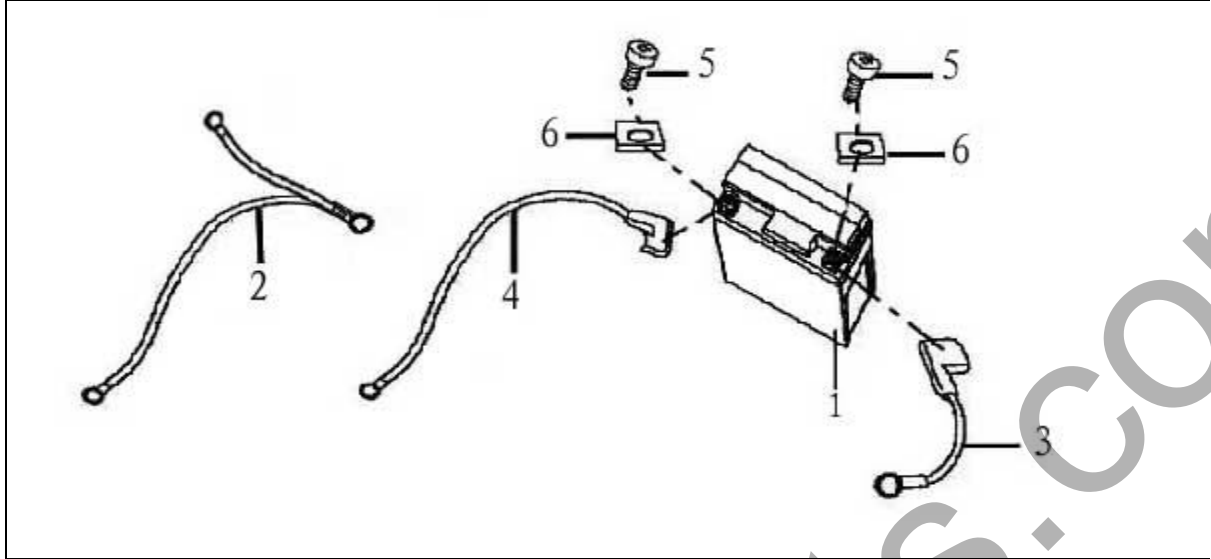
NO.	Part NO.	Description
1	YY50QT018001	Rear Shock Absorber Assy
2	GB/T5780-M8×32	Hex Bolt, M10×32
3	GB/T5789-M10×70	Bolt, M10×70

图 19	主电缆	Model	JONWAY 50QT-6
Draft 19	WIRE HARNESS	Part No.	YY50QT19000



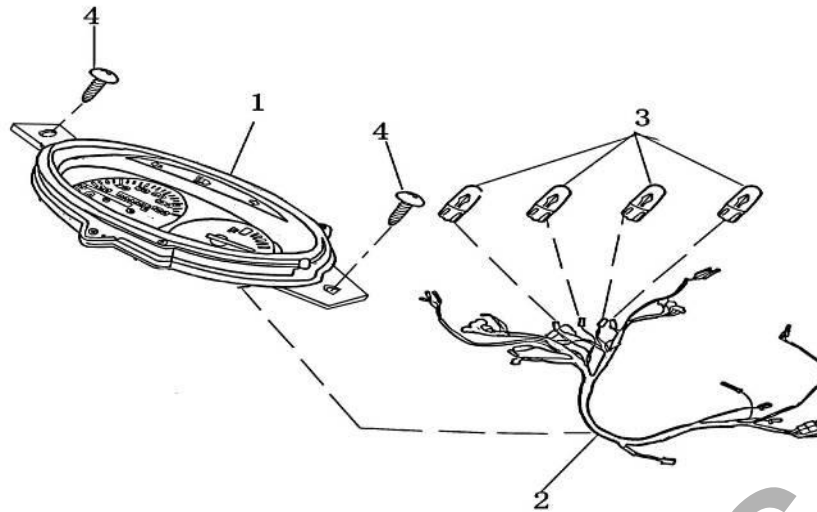
NO.	Part NO.	Description
1	YY50QT019001	Wire Harness
2	YY50QT019002	Horn
3	YYPT50019003	Winker Relay
4	YYPT50019004	Fuse Box
5	YYPT50019005	Fuse 7A
6	YYPT50019006	Strip Set
7	YYPT50019007	Discharge Resistance
8	GB/T6177.1-M6	Flange Nut, M6
9	YY50QT019007	Ignition Switch
10	YY50QT019008	Lock Set

图 20	蓄电池	Model	JONWAY 50QT-6
Draft 20	BATTERY	Part No.	YY50QT20000



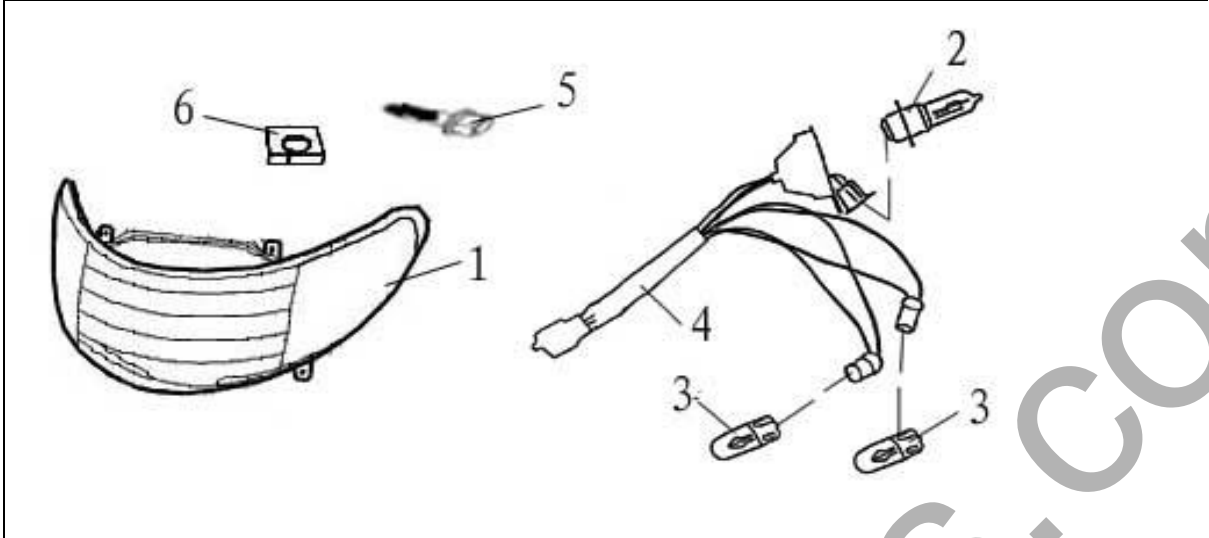
NO.	Part NO.	Description
1	YY50QT020001	Battery 12V7AH
2	YY50QT020002	Cable Assy
3	YY50QT020003	Cable, Positive Pole
4	YY50QT020004	Cable, Grounding

图 21	仪表	Model	JONWAY 50QT-6
Draft 21	METER	Part No.	YY50QT21000



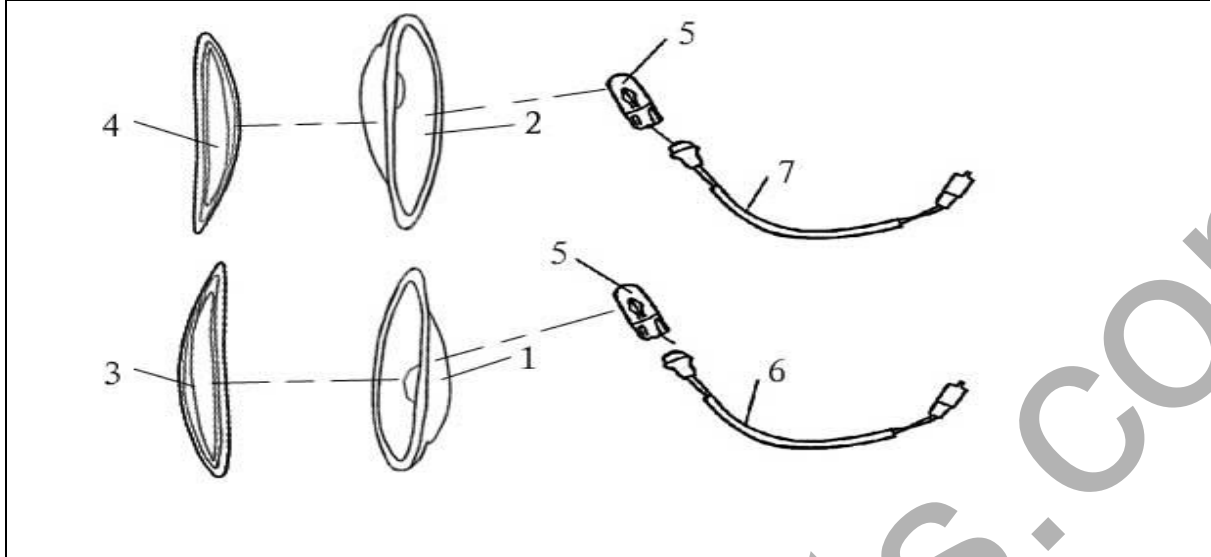
NO.	Part NO.	Description
1	YY50QT021001	Meter Assy
2	YY50QT021002	Wire Cable, Meter
3	YY50QT021003	Bulb, Meter Light 12V3W
4	GB/T845-ST4.2×12	Screw, Tapping ST4.2×12

图 22	前照灯	Model	JONWAY 50QT-6
Draft 22	HEADLIGHT	Part No.	YY50QT22000



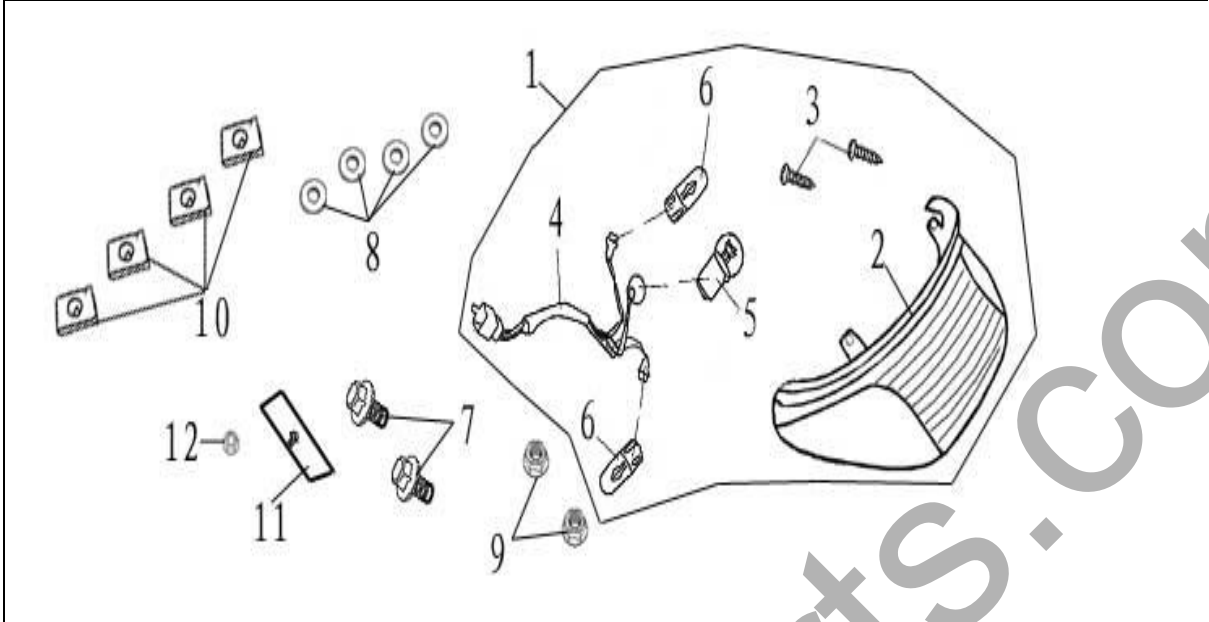
NO.	Part NO.	Description
		Headlight
1	YY50QT022001	Headlight Comp
2	YY50QT022002	Bulb, Headlight 12V25/25W
3	YY50QT022003	Bulb, Position Light 12V 3W
4	YY50QT022004	Wire Cable, Headlight
5	GB/T5789-M6×16	Flange Bolt, M6×16
6	YY50QT022006	Square Nut, M6

图 23	前转向灯	Model	JONWAY 50QT-6
Draft 23	FRONT TURNING LIG	Part No.	YY50QT23000



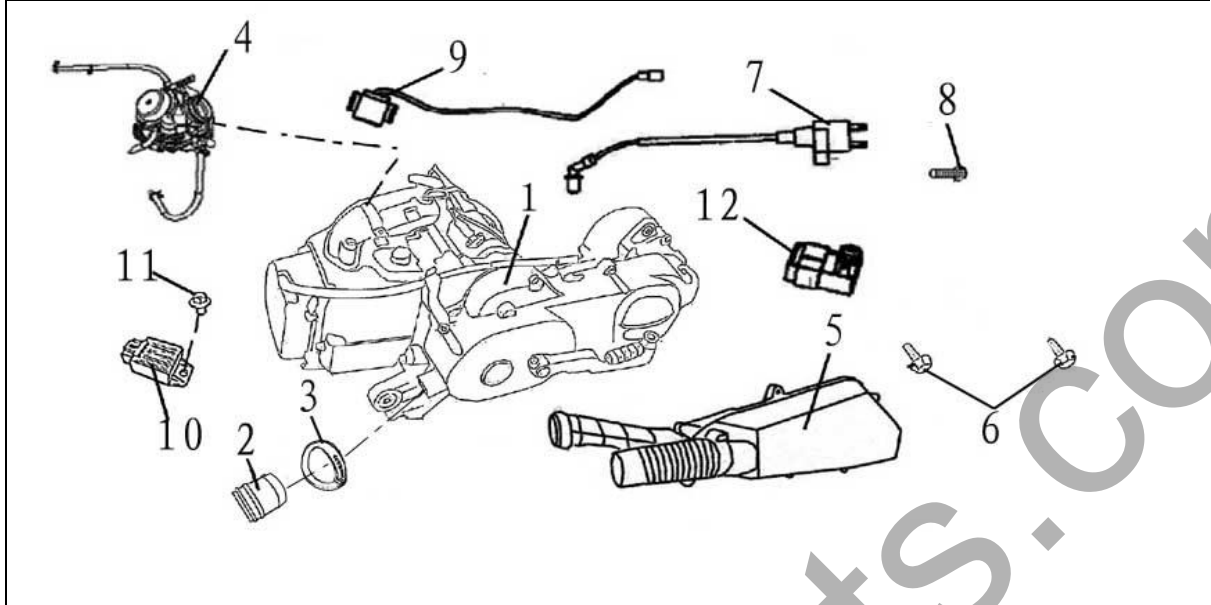
NO.	Part NO.	Description
1	YY50QT023001	L. Front Turning Light Assy
2	YY50QT023002	R. Front Turning Light Assy
3	YY50QT023003	Len, L. Front Turning Light
4	YY50QT023004	Len, R. Front Turning Light
5	YY50QT023005	Bulb, Front Turning Light 12V10W
6	YY50QT023006	Wire Cable, L. Front Turning Light
7	YY50QT023007	Wire Cable, R. Front Turning Light

图 24	尾灯/后转向灯	Model	JONWAY 50QT-6
Draft 24	REAR LIGHT/REAR T	Part No.	YY50QT24000



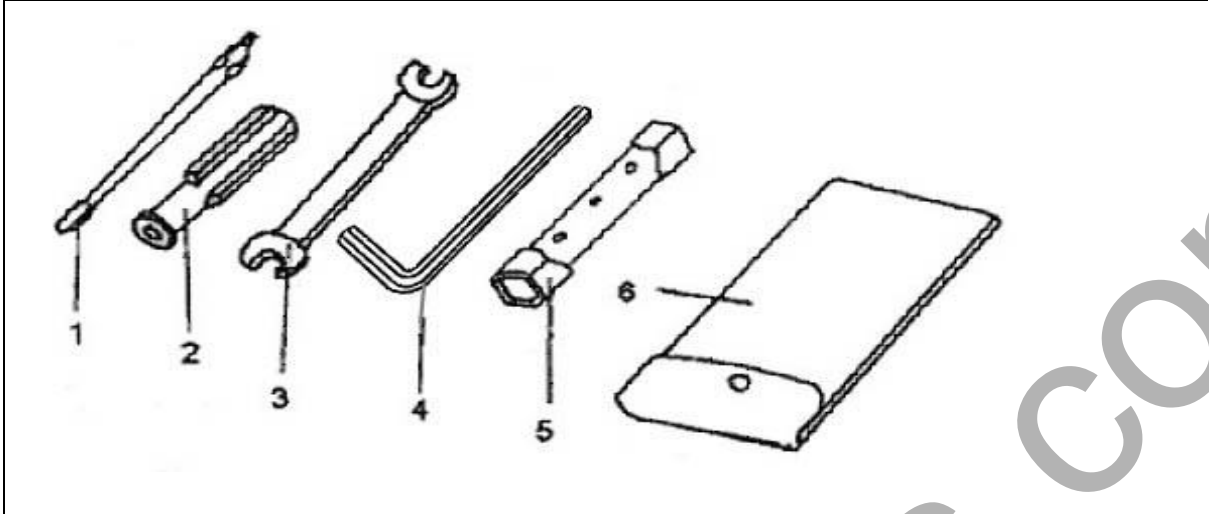
NO.	Part NO.	Description
1	YY50QT024000	Rear Light Assy
2	YY50QT024001	Len, Rear Light Assy
3	GB/T845-ST3.5×12	Screw, Tapping ST3.5×12
4	YY50QT024002	Wire Cable, Rear Light
5	YY50QT024003	Bulb, Rear Light(12V5w/21w)
6	YY50QT024004	Bulb, Rear Turning Light (12V,10w)
7	GB/T5789-M6×12	Flange Bolt, M6×12
8	GB/T95-φ6	Plain Washer, φ6
9	GB/T6177.1-M6	Flange Nut, M6
10	YY50QT024005	Clamp, 4.2mm
11	YY50QT024006	Rear Retro Reflecting Device
12	GB/T6177.1-M5	Nut, M5

图 25	发动机总成/空滤器	Model	JONWAY 50QT-6
Draft 25	ENGINE COMP & AIR	Part No.	YY50QT25000



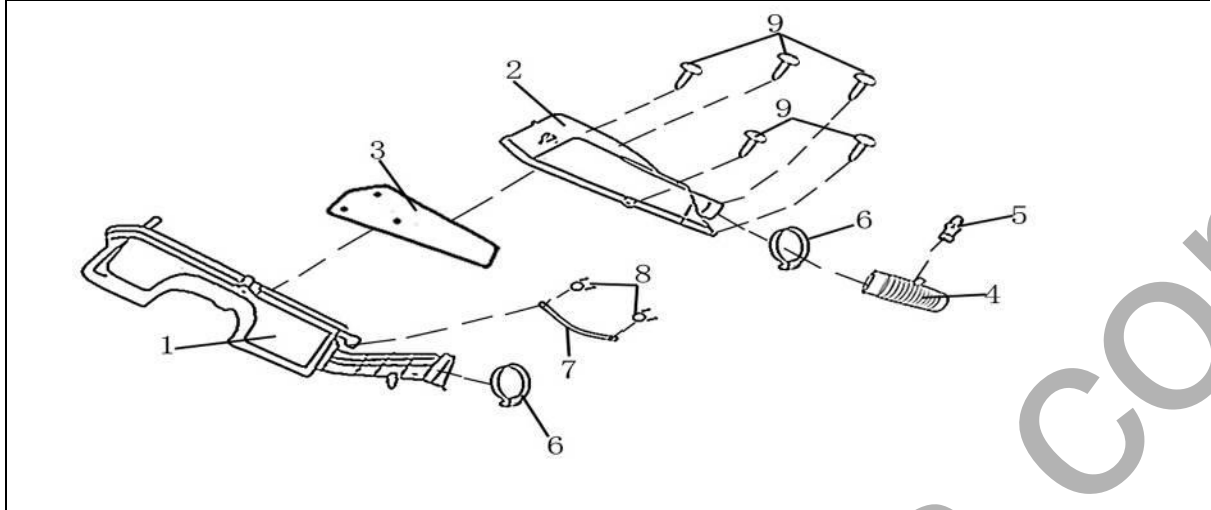
NO.	Part NO.	Description
1	YY50QT025001	Engine Assy
2	YY50QT025002	Air Inlet Pipe
3	YY50QT025003	Clip
4	YY50QT025004	Carburetor Assy
5	YY50QT025005	Air Cleaner Assy
6	GB/T5789-M6×28	Flange Bolt, M6×28
7	YYPT15025006	Ignition Coil Assy
8	GB/T818-M6×25	Screw, M6×25
9	YYPT15025007	Starter Relay
10	YYPT15025008	Rectifier
11	GB/T6177.1-M6	Flange Nut, M6
12	YYZL15025009	CDI

图 26	随车工具	Model	JONWAY 50QT-6
Draft 26	TOOLS ASSY	Part No.	YY50QT26000



NO.	Part NO.	Description
1	YYPT00026001	Double Ended Screw Driver
2	YYPT00026002	Screw Driver Socket
3	YYPT00026003	Double Ended Spanner 8-10
4	YYPT00026004	Inner Hex Spanner
5	YYPT00026005	Spark Plug Socket
6	YYPT00026006	Tools Bag

图 27	空滤器	Model	JONWAY 50QT-6
Draft 27	AIR CLEANER	Part No.	YY50QT27000



NO.	Part NO.	Description
1	YY50QT027001	Body, Air Cleaner
2	YY50QT027002	Cover, Air Ceaner
3	YY50QT027003	Filter Core
4	YY50QT027004	Breather Tube
5	YY50QT027005	Joint, Breather Tube
6	YY50QT027006	Fixing Ring
7	YY50QT027007	Overflow Oil Tube
8	YY50QT027008	Clip
9	GB/T845-ST4.8×16	Screw, Tapping ST4.8×16