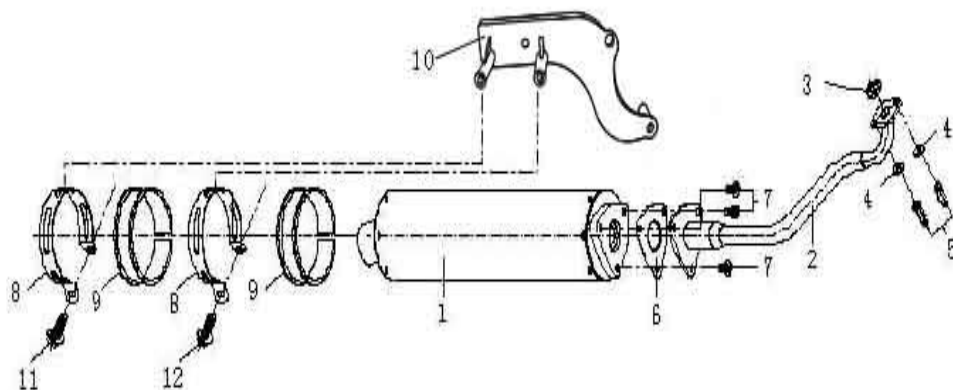


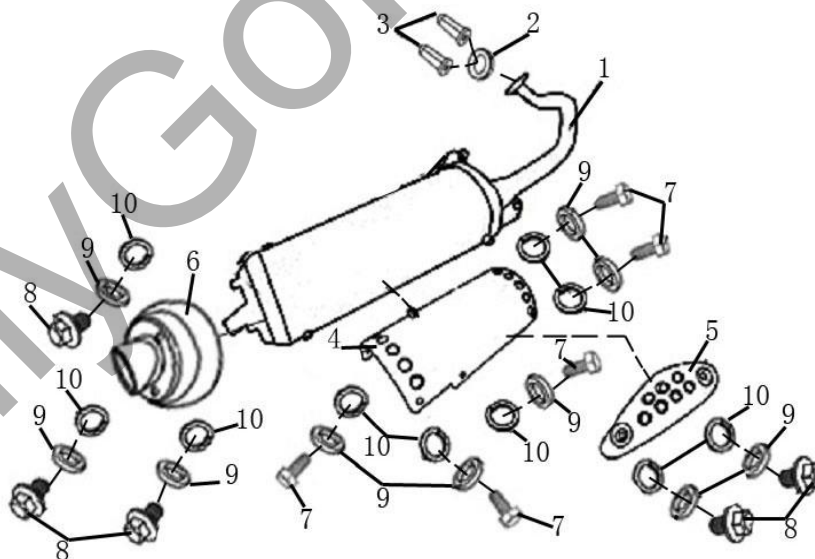
JONWAY 50QT-21B PARTS CATALOGUE

图 1	消声器(铝筒)	Model	JONWAY BRAVER 50
Draft 1	EXHAUST MUFFLER	Part No.	YYB950QT01000



1	YYB950QT-2-01001	Pipe, Exhaust Muffler
2	YYB950QT-2-01002	Front Tube, Exhaust Muffler
3	YYB950QT-2-01003	Washer, Exhaust Outlet
4	GB/T93-φ6	Washer φ6
5	YYB950QT-2-01004	Cap Nut, M6
6	YYB950QT-2-01005	Asbestos Gasket, Muffler
7	GB/T5789-M8×16	Flange Bolt, M8×16
8	YYB950QT-2-01006	Fixing Ring, Muffler
9	YYB950QT-2-01007	Rubber Cushion Strip, Muffler Fixing Ring
10	YYB950QT-2-01008	Connecting Plate, Engine
11	GB/T5789-M8×40	Flange Bolt, M8×40
12	GB/T5789-M8×50	Flange Bolt, M8×50

图 1	消声器 (铁筒)	Model	JONWAY 50QT-21B
Draft 1	EXHAUST MUFFLER	Part No.	YYSG05001000

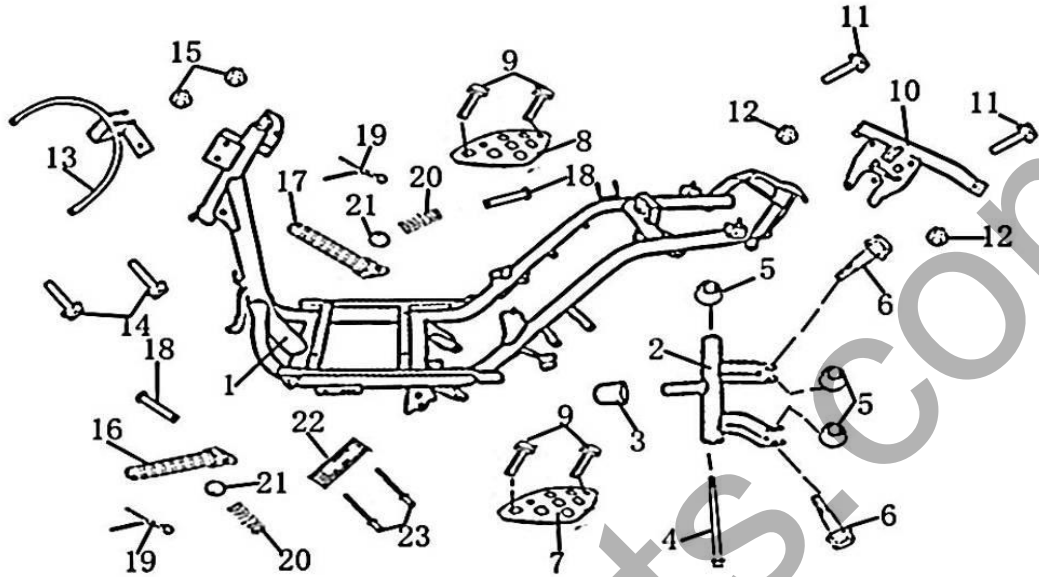


NO.	Part NO.	Description
1	YYSG05001001	Exhaust Muffler
2	YYSG05001002	Washer, Exhaust Outlet
3	YYSG05001003	Cap Nut, M6
4	YYSG05001004	Insulate Plate, Muffler
5	YYSG05001005	Decorating Plate, Muffler
6	YYSG05001006	Tail Insulate Cover, Muffler
7	GB/T5781-M6×12	Hex Bolt, M6×12

8	GB/T5787-M6×12	Flange Bolt, M6×12
9	GB/T95-φ6	Plain Washer, φ6
10	GB/T93-φ6	Spring Washer, φ6

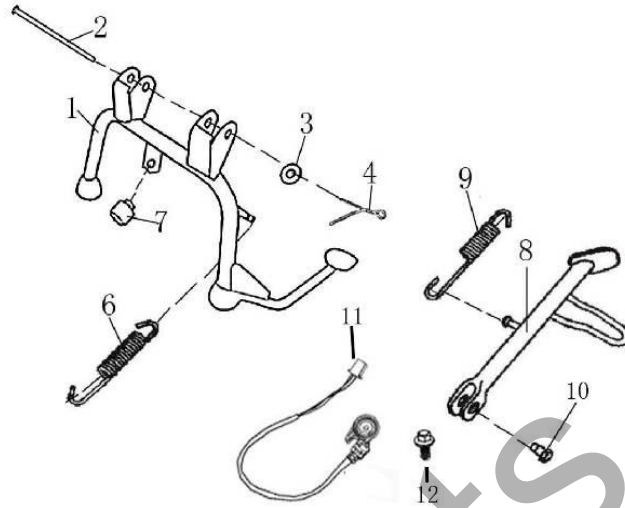
FamilyGokarts.com

图 2	车架	Model	JONWAY 50QT-21B
Draft 2	FRAME	Part No.	YYSG05002000



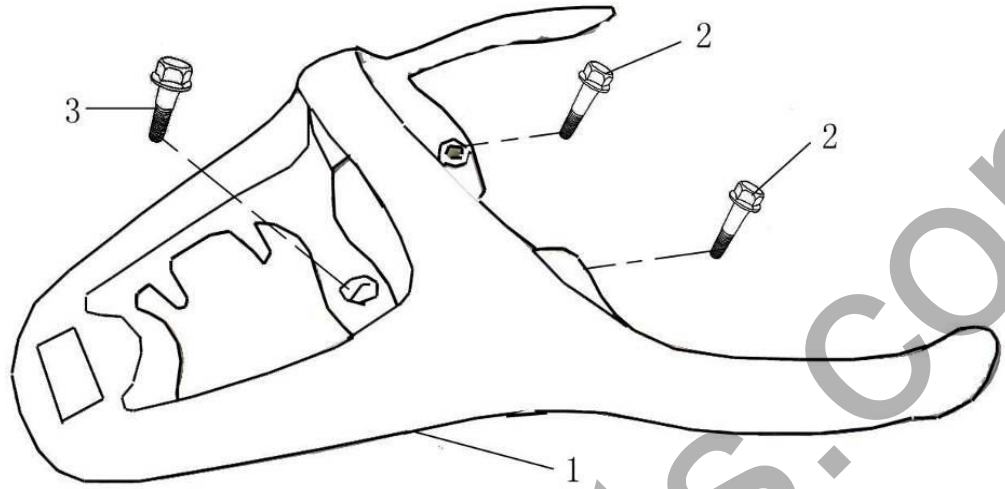
NO.	Part NO.	Description
1	YYSG05002001	Frame
2	YYSG05002002	Engine Mount
3	YYSG05002003	Cushioning Rubber, Engine Mount
4	YYSG05002004	Engine Mount Bolt, M10×1.25×280
5	GB/T6187.2-M10×1.25	Lock Nut, M10×1.25
6	GB/T5789-M10×1.25×60	Flange Bolt, M10×1.25×60
7	YYSG05002006	L. Iron Decorating Cover, Frame
8	YYSG05002007	R. Iron Decorating Cover, Frame
9	GB/T822-M6×12	Screw, M6×12
10	YYSG05002009	Holder, Seat Lock
11	GB/T5789-M6×16	Bolt, M6×16
12	GB/T6177.1-M6	Nut, M6
13	YYSG05002010	Bracket, Horn
14	GB/T5789-M6×30	Bolt, M6×30
15	GB/T6177.1-M6	Nut, M6
16	YYSG05002011	Left Footrest
17	YYSG05002012	Right Footrest
18	YYSG05002013	Footrest Pin
19	YYSG05002014	Clip Pin, Footrest Pin
20	YYSG05002015	Return Spring, Footrest
21	YYSG05002016	Steel Ball, Footrest
22	YYSG05002017	Statutory Inscription Plate
23	GB/T12615	Rivet, Statutory Inscription Plate

图 3	主支架/侧支架	Model	JONWAY 50QT-21B
Draft 3	MAIN / SIDE STAND	Part No.	YYSG05003000



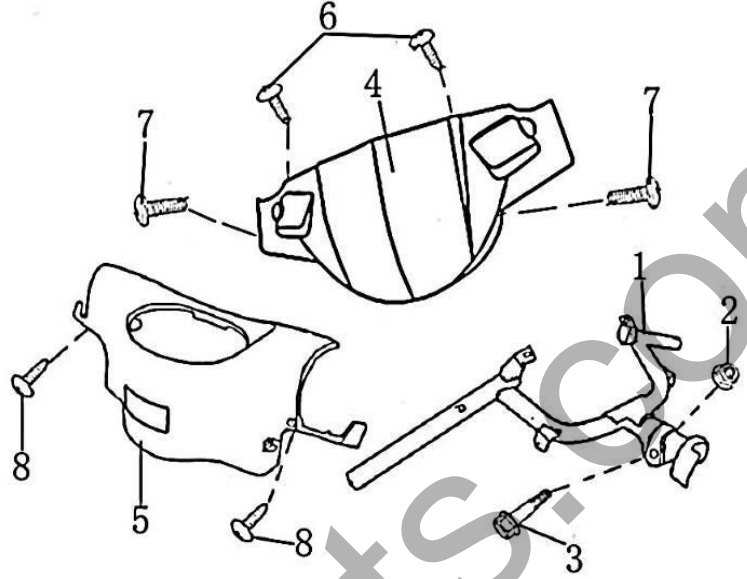
NO.	Part NO.	Description
1	YYSG05003001	Main Stand Assy
2	YYSG05003002	T-Collar, Main Stand
3	GB/T97-φ8	Plain Washer, φ8
4	GB/T91M1.2	Clip Pin
6	YYSG05003003	Side Spring, Main Stand
7	YYSG05003005	Retainer Rubber, Main Stand
8	YYSG05003006	Side Stand Assy
9	YYSG05003007	Spring, Side Stand
10	YYSG05003009	Bolt, Side Stand
11	YYSG05003010	
12	GB/T6177 M6	Flange Nut, M6x16

图 4	后货架	Model	JONWAY 50QT-21B
Draft 4	REAR BAGGAGE RACK	Part No.	YYSG05004000



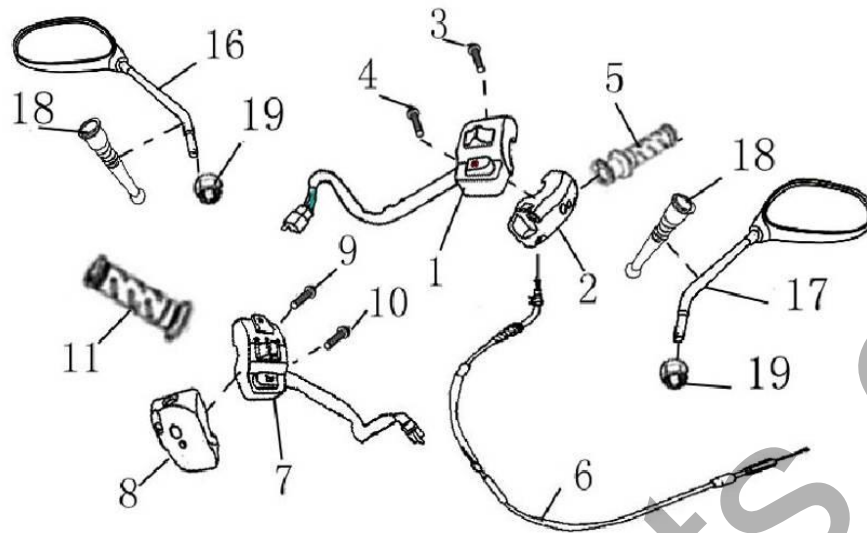
NO.	Part NO.	Description
1	YYSG05004001	Baggage Rack
2	GB/T5789-M8×50	Flange Bolt,M8×50
3	GB/T5789-M8×38	Flange Bolt,M8×38

图 5	方向把/方向把罩	Model	JONWAY 50QT-21B
Draft 5	HANDLE, METER CASE	Part No.	YYSG05005000



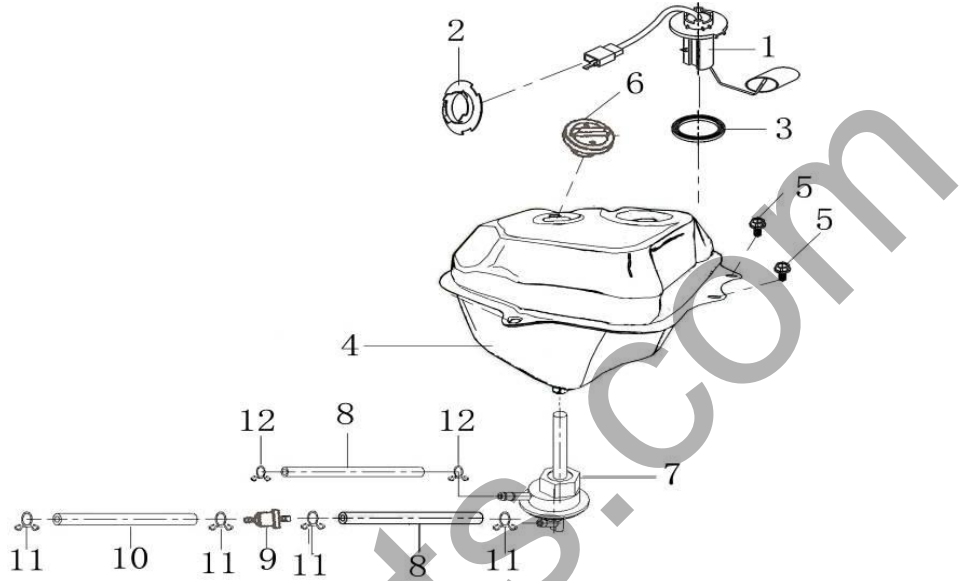
NO.	Part NO.	Description
1	YYSG05005001	Handle Comp
2	GB/T6187.1-M10	Flange Lock Nut, M10
3	GB/T5789-M10×50	Flange Lock Bolt, M10×50
4	YYSG05005002	Cover Case, Handle Comp
5	YYSG05005003	Case, Meter
6	GB/T845-ST4.2×12	Screw, Tapping ST4.2×12
7	GB/T818-M6×16	Bolt, M6×16
8	GB/T845-ST4.2×16	Screw, Tapping ST4.2×16

图 6	操纵手把/后视镜/钢索/开关	Model	JONWAY 50QT-21B
Draft 6	HANDLEBAR, REAR VIEW MIRROR, CABLE & SWITCH	Part No.	YYSG05006000



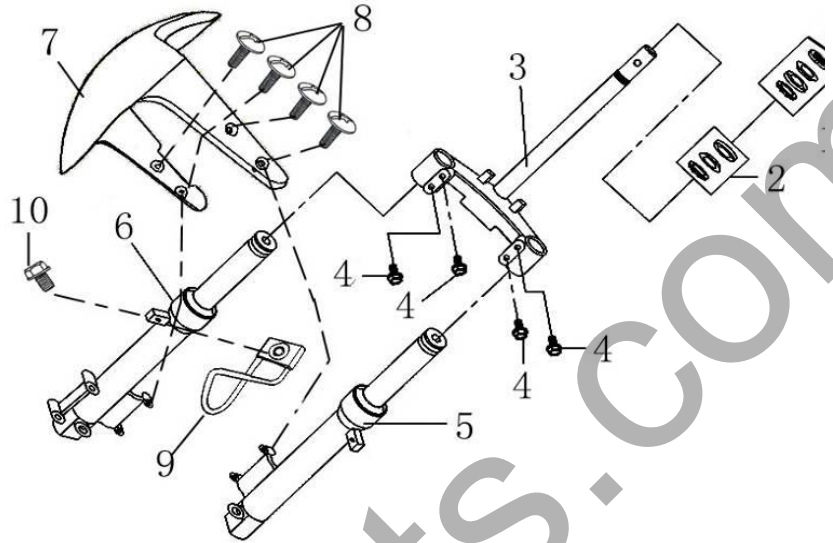
NO.	Part NO.	Description
1	YYSG05006001	Switch Assy, R. Handlebar
2	YYSG05006002	Fixing Block, R. Handlebar Switch Assy
3	GB/T818-M5×25	Screw, M5×25
4	GB/T818-M5×20	Screw, M5×20
5	YYSG05006003	Rubber Grip, R. Handle(Throttle Control)
6	YYSG05006004	Throttle Cable
7	YYSG05006005	Switch Assy, L. Handlebar
8	YYSG05006006	Fixing Block, L. Handlebar Switch Assy
9	GB/T818-M5×25	Screw, M5×25
10	GB/T818-M5×20	Screw, M5×20
11	YYSG05006007	Rubber Grip, L. Handle
16	YYSG05006010	Rear View Mirror, L.
17	YYSG05006011	Rear View Mirror, R.
18	YYSG05006012	Rubber Cover, Rear View Mirror
19	GB/T6177.1-M8	Flange Nut, M8

图 7	燃油箱	Model	JONWAY 50QT-21B
Draft 7	FUEL TANK	Part No.	YYSG05007000



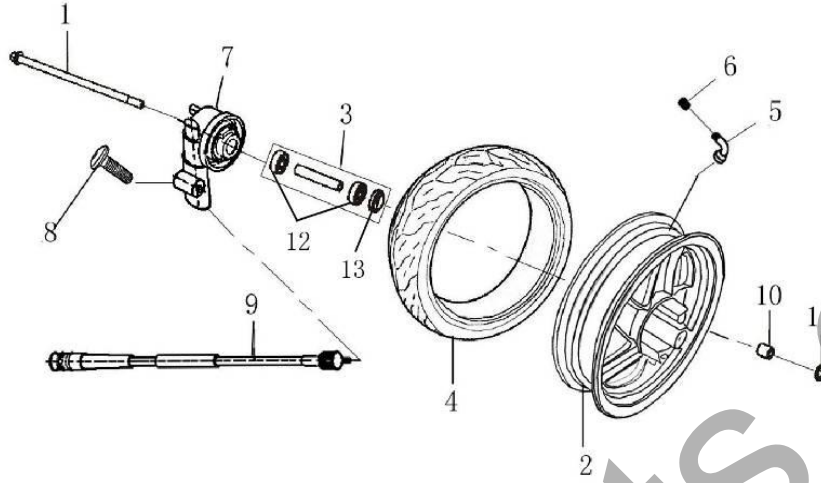
NO.	Part NO.	Description
1	YYSG05007001	Fuel Level Sensor
2	YYSG05007002	Block Cap, Sensor
3	YYSG05007003	Oil Seal Gasket for Sensor
4	YYSG05007004	Fuel Tank Assy
5	GB/T5789-M6×16	Bolt, M6×16
6	YYSG05007005	Cap Assy, Fuel Tank
7	YYSG05007006	Fuel Valve Assy
8	YYSG05007007	Fuel Tube
9	YYSG05007008	Fuel Filter
10	YYSG05007009	Vacuum Air Tube
11	YYSG05007010	Clip, Fuel Tube φ5
12	YYSG05007011	Clip, Fuel Tube φ4

图 8	方向柱/前减震	Model	JONWAY 50QT-21B
Draft 8	STEERING / FRONT SHOCK AB	Part No.	YYSG05008000



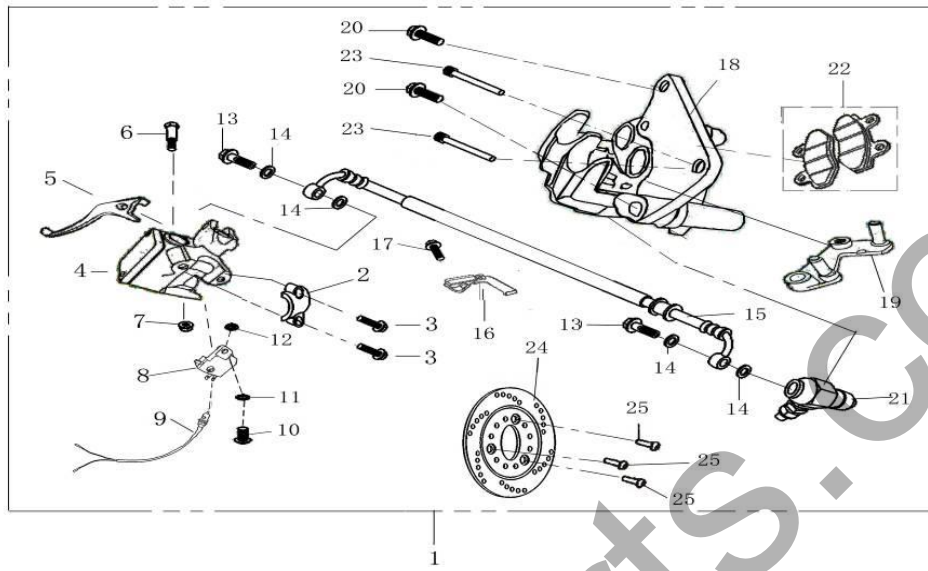
NO.	Part NO.	Description
1	YYSG05008001	Top Protrude, Steel Ball Bowl Assy
2	YYSG05008002	Bottom Concave, Steel Ball Bowl Assy
3	YYSG05008003	Lower Bridge Assy, Steer Stem
4	GB/T5789-M8×1.25×40	Bolt, M8×1.25×40
5	YYSG05008004	L. Front Shock Absorber
6	YYSG05008005	R. Front Shock Absorber
7	YYSG05008006	Front Mudguard
8	YYSG05008007	Screw, M6×12
9	YYSG05008008	Clip, Odometer
10	GB/T5789-M6×12	Flange Bolt, M6×12

图 9	前轮	Model	JONWAY 50QT-21B
Draft 9	FRONT WHEEL	Part No.	YYSG05009000



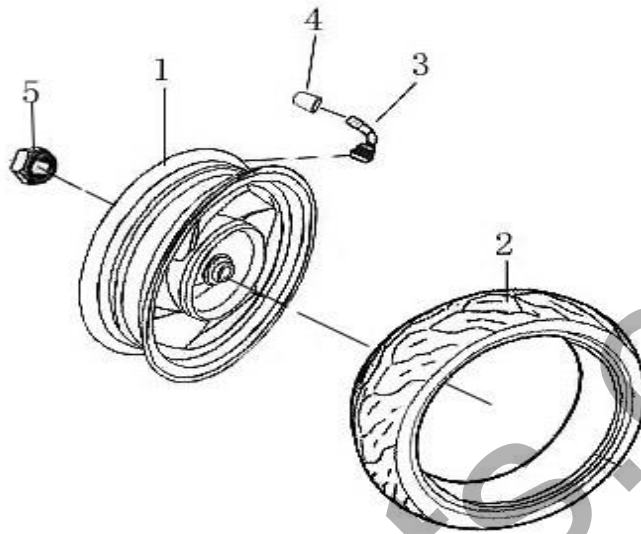
NO.	Part NO.	Description
1	YYSG05009001	Axle, Front Wheel, M12×250
2	YYSG05009002	Rim, Front Wheel 2.75×12
3	YYSG05009003	Separate Collar Set, Front Wheel Axle
4	YYSG05009004	Tyre, Front Wheel 4.00-12
5	YYSG05009005	Tubeless Valve
6	YYSG05009006	Cap, Tubeless Valve
7	YYSG05009007	Count Gear Box, Odometer
8	GB/T819.1-M5×16	Screw, M5×16
9	YYSG05009008	Cable, Odometer
10	YYSG05009009	Collar, $\phi 12 \times \phi 20 \times 13$
11	GB/T6187.1-M12	Flange Lock Nut, M12
12	YYSG05009010	Bearing 6301RS
13	YYSG05009011	Oil Seal, $\phi 50 \times \phi 40 \times 5$

图 10	前液压制动器	Model	JONWAY 50QT-21B
Draft 10	FRONT HYDRAULIC BRAKE	Part No.	YYSG05010000



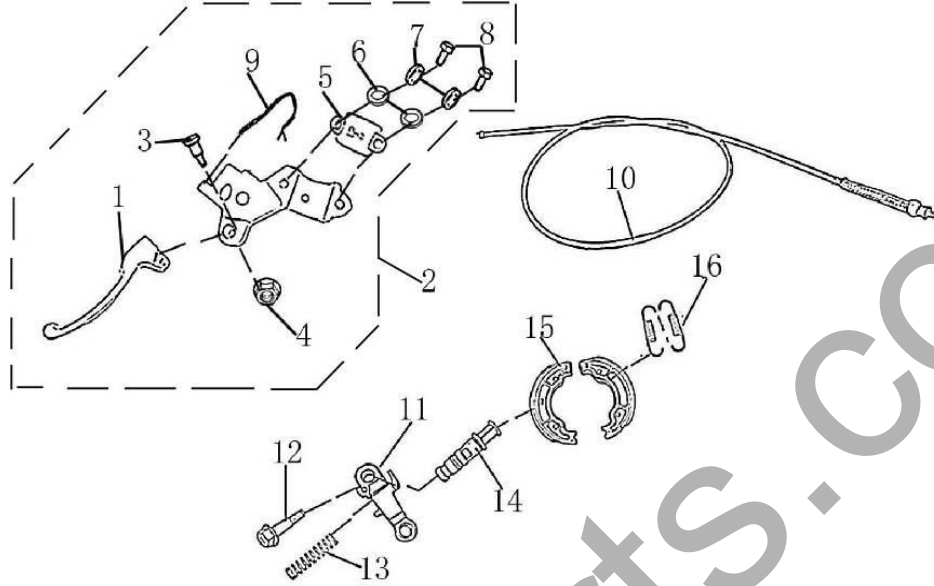
NO.	Part NO.	Description
1	YYSG05010001	Front Hydraulic Brake System
2	YYSG05010002	Cap, Front Hydraulic Cylinder
3	GB/T5789-M6×22	Flange Bolt, M6×22
4	YYSG05010003	Front Hydraulic Cylinder Comp
5	YYSG05010004	Lever, Right Handle
6	YYSG05010005	Bolt, Front Brake Lever
7	GB/T6187.1-M6	Flange Lock Nut, M6
8	YYSG05010006	Switch, Front Brake
9	YYSG05010007	Wire Cable, Front Brake Switch
10	GB/T818-M4×12	Screw, M4×12
11	GB/T95-φ4	Plain Washer, φ4
12	GB/T93-φ4	Spring Washer, φ4
13	YYSG05010008	Connect Bolt, Hose, Front Brake
14	YYSG05010009	Copper Washer
15	YYSG05010010	Hydraulic Hose, Front Brake
16	YYSG05010011	Clip, Front Hydraulic Hose
17	GB/T5789-M6×12	Flange Bolt, M6×12
18	YYSG05010012	Caliper Comp, Front Brake
19	YYSG05010013	Bracket, Front Brake Caliper Comp
20	GB/T5789-M8×25	Flange Bolt, M8×25
21	YYSG05010014	ABS Assy
22	YYSG05010015	Brake Plate Assy, Front Brake
23	YYSG05010016	Bolt, Brake Plate Assy, Front Brake
24	YYSG05010017	Brake Disc. Assy, Front Wheel
25	YYSG05010018	Inner Hex Bolt, M8×25

图 11	后轮	Model	JONWAY 50QT-21B
Draft 11	REAR WHEEL	Part No.	YYSG05011000



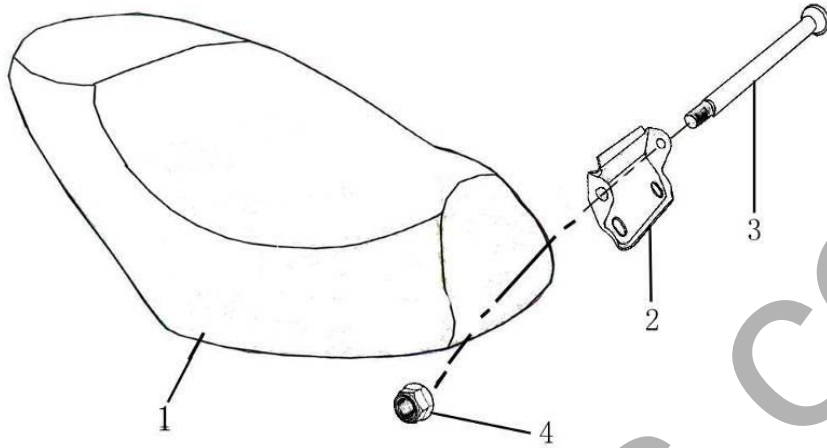
NO.	Part NO.	Description
1	YYSG05011001	Rim, Rear Wheel 3.50×12
2	YYSG05011002	Tyre, Rear Wheel 4.00-12
3	YYSG05011003	Tubeless Valve
4	YYSG05011004	Cap, Tubeless Valve
5	GB/T6184-M16	Lock Nut, M16

图 12	后制动组合	Model	JONWAY 50QT-21B
Draft 12	REAR BRAKE ASSY	Part No.	YYSG05012000



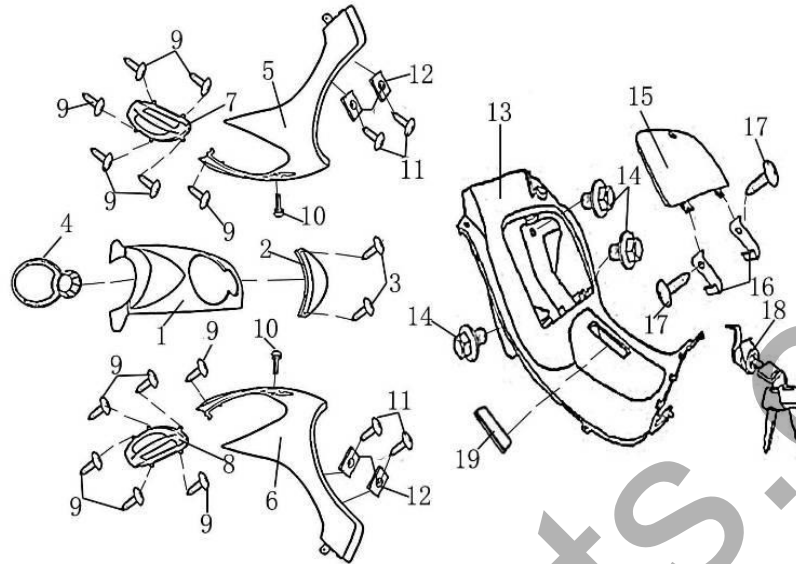
NO.	Part NO.	Description
1	YYSG05012001	Lever, Left Handle
2	YYSG05012002	Fixing Holder Assy, Left Handle Lever
3	YYSG05012003	Bolt, Rear Brake Lever
4	GB/T6184-M6	Flange Lock Nut, M6
5	YYSG05012004	Fixing Block, L. Handle Lever
6	YYSG05012005	Spring Washer
7	GB/T95-φ6	Plain Washer φ6
8	GB/T5789-M6×30	Flange Bolt, M6×30
9	YYSG05012006	Switch, Rear Brake
10	YYSG05012007	Cable, Rear Brake
11	YYSG05012008	Rocker Arm, Rear Brake
12	GB/T5789-M6×30	Flange Bolt, M6×30
13	YYSG05012009	Return Spring, Rear Brake Rocker Arm
14	YYSG05012010	Camshaft, Rear Brake
15	YYSG05012011	Rear Brake Shoe Set
16	YYSG05012012	Return Spring, Rear Brake Shoe

图 13	座垫	Model	JONWAY 50QT-21B
Draft 13	SEAT	Part No.	YYSG05013000



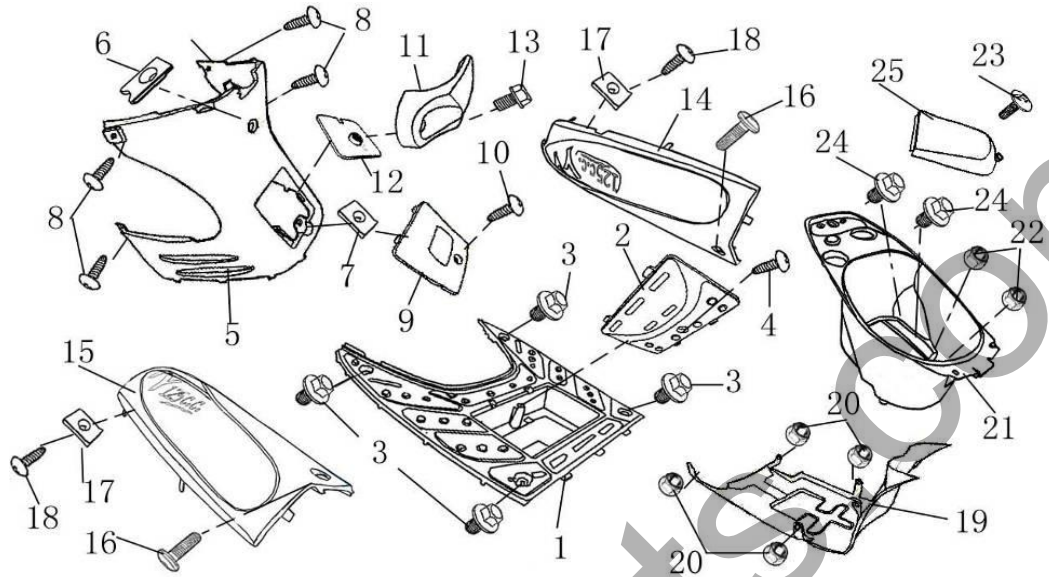
NO.	Part NO.	Description
1	YYSG05013001	Seat Assy
2	YYSG05013002	Holder, Seat
3	YYSG05013003	Axle Pin, Seat
4	GB/T6177.1-M6	Nut, M6

图 14	前面罩/前护条/工具箱	Model	JONWAY 50QT-21B
Draft 14	FRONT COVER, SHIELD & LUGGAGE CARRIER	Part No.	YYSG05014000



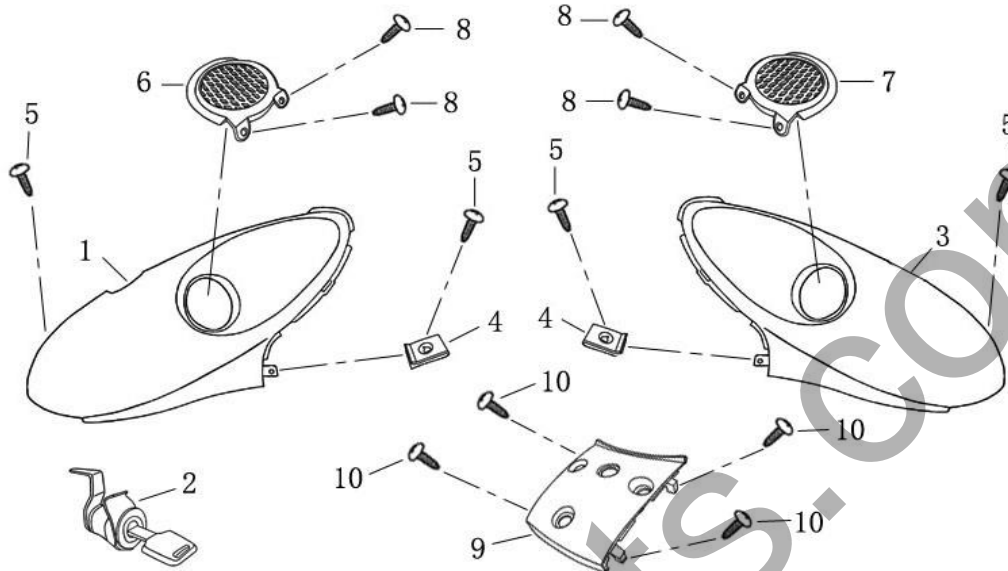
NO.	Part NO.	Description
1	YYSG05014001	Front Cover
2	YYSG05014002	Decorating Small Cap, Front Cover
3	GB/T845-ST4.2×12	Screw, Tapping ST4.2×12
4	YYSG05014003	Net Cover
5	YYSG05014004	Left Front Shield
6	YYSG05014005	Right Front Shield
7	YYSG05014006	Left Intake Fender
8	YYSG05014007	Right Intake Fender
9	GB/T845-ST4.2×12	Screw, Tapping ST4.2×12
10	GB/T9074.1-M5×16	Screw with Washer, M5×16
11	GB/T845-ST4.8×16	Screw, Tapping ST4.8×16
12	YYSG05014008	Clamp, M6
13	YYSG05014009	Front Luggage Carrier
14	GB/T9074.14-M6×16	Bolt with Washer, M6×16
15	YYSG05014010	Cover, Front Luggage Carrier
16	YYSG05014011	Rocker Arm, Front Luggage Carrier
17	GB/T845-ST4.2×12	Screw, Tapping ST4.2×12
18	YYSG05014012	Lock Assy, Front Luggage Carrier Cover
19	YYSG05014013	Cover, Chassis No.

图 15	脚踏底板/置物箱/置物箱前罩	Model	JONWAY 50QT-21B
Draft 15	FOOTREST, LUGGAGE CABINET & ITS FRONT COVER	Part No.	YYSG0505000



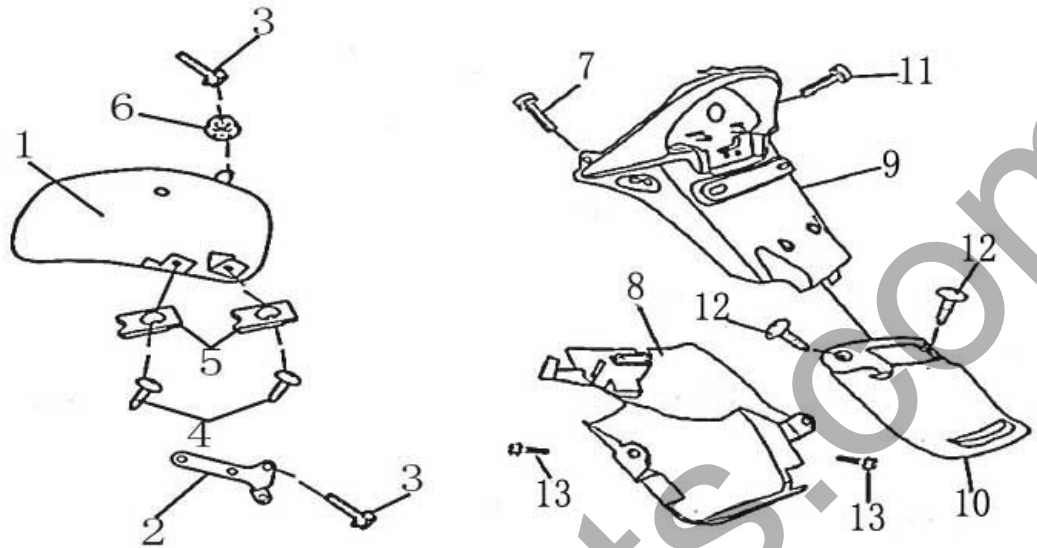
NO.	Part NO.	Description
1	YYSG0505001	Footrest Base Panel
2	YYSG0505002	Cover, Battery
3	GB/T9074.14-M6×20	Hex Bolt with Washer, M6×20
4	GB/T845-ST4.8×12	Screw, Tapping ST4.8×12
5	YYSG0505003	Front Cover, Luggage Cabinet
6	YYSG0505004	Clamp, M6
7	YYSG0505005	Clamp, 4.2mm
8	GB/T845-ST4.8×12	Screw, Tapping ST4.8×12
9	YYSG0505006	Cap, Front Cover, Luggage Cabinet
10	GB/T845-ST4.8×16	Screw, Tapping ST4.8×16
11	YYSG0505007	Hook, Helmet
12	YYSG0505008	Fixing Plate, Helmet Hook
13	GB/T5789-M6×16	Flange Bolt, M6×16
14	YYSG0505009	Left Cover
15	YYSG0505010	Right Cover
16	GB/T818-M6×16	Screw, M6×16
17	YYSG0505011	Clamp, 4.2mm
18	GB/T845-ST4.8×16	Screw, Tapping ST4.8×16
19	YYSG0505012	Fender, Frame
20	GB/T6177.1-M6	Flange Nut, M6
21	YYSG0505013	Luggage Cabinet
22	GB/T6177.1-M6	Flange Nut, M6
23	YYSG0505014	Screw, M6×16
24	GB/T9074.14-M6×16	Bolt with Washer, M6×16
25	YYSG0505015	Inner Cap, Luggage Cabinet

图 16	车体护板	Model	JONWAY 50QT-21B
Draft 16	SIDE & REAR COVERS	Part No.	YYSG05016000



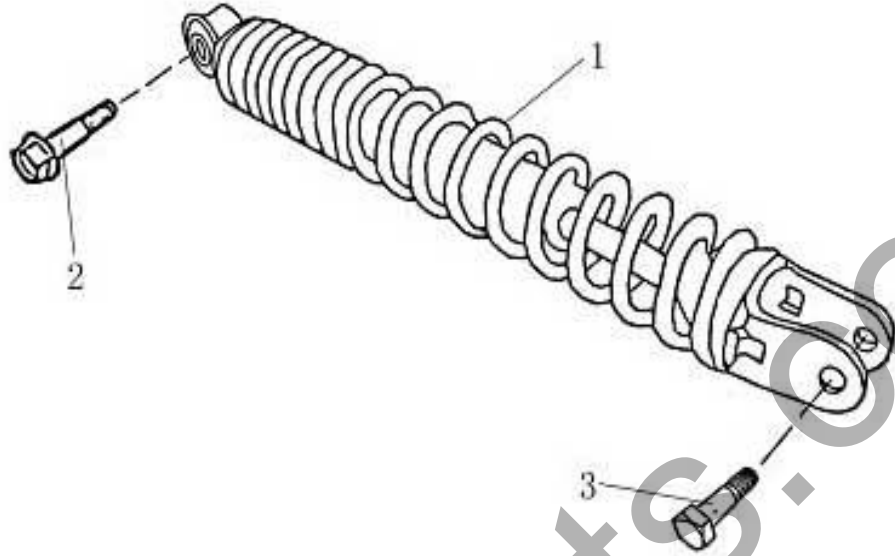
NO.	Part NO.	Description
1	YYSG05016001	L. Decorating Cover
2	YYSG05016002	Lock Assy, Seat
3	YYSG05016003	R. Decorating Cover
4	YYSG05016004	Clamp, 4.2mm
5	GB/T845-ST4.2x16	Screw, Tapping ST4.2x16
6	YYSG05016005	Left Intake Fender
7	YYSG05016006	Right Intake Fender
8	GB/T845-ST4.2x12	Screw, Tapping ST4.2x12
9	YYSG05016007	Rear Central Decorating Cover
10	GB/T845-ST4.2x12	Screw, Tapping ST4.2x12

图 17	后轮挡泥板	Model	JONWAY 50QT-21B
Draft 17	REAR MUDGUARD	Part No.	YYSG05017000



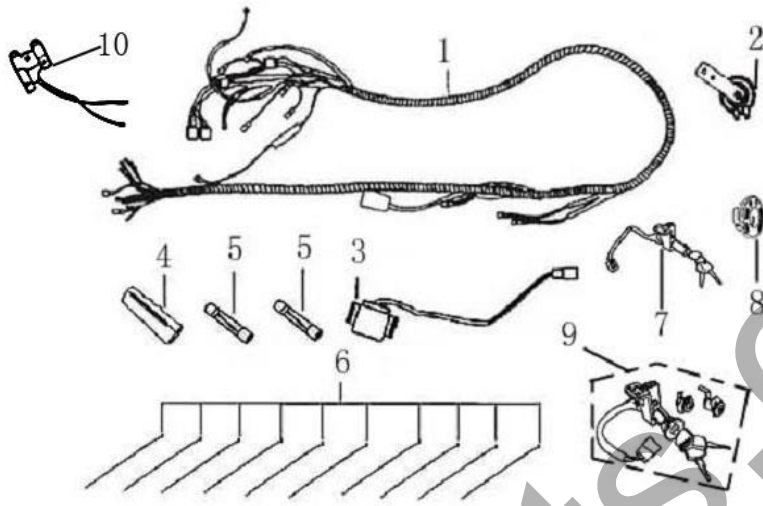
NO.	Part NO.	Description
1	YYSG05017001	Rear Mudguard, Rear Wheel
2	YYSG05017002	Bracket, Rear Mudguard
3	GB/T5789-M6×30	Flange Bolt, M6×30
4	GB/T845-ST4.8×12	Screw, Tapping ST4.8×12
5	YYSG05016003	Clamp, 4.2mm
6	GB/T6177.1-M5	Flange Nut, M5
7	GB/T9074.14-M6×16	Hex Bolt with Washer, M6×16
8	YYSG05017004	Front, Rear Fender
9	YYSG05017005	Upper, Rear Fender
10	YYSG05017006	Lower, Rear Fender
11	GB/T9074.1-M6×16	Screw with Washer, M6×16
12	GB/T845-ST4.2×12	Screw, Tapping ST4.2×12
13	GB/T5789-M6×12	Flange Bolt, M6×12

图 18	后减震器	Model	JONWAY 50QT-21B
Draft 18	REAR SHOCK ABSORBER	Part No.	YYSG05018000



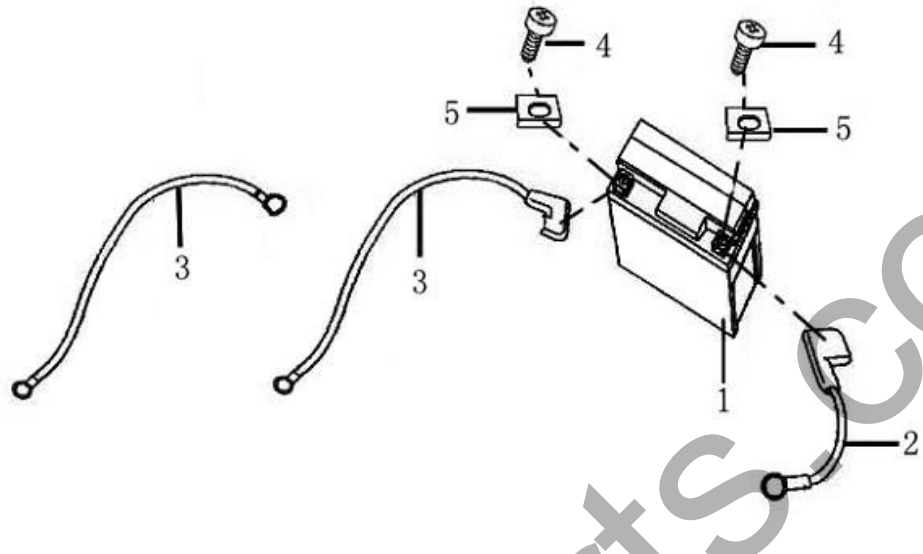
NO.	Part NO.	Description
1	YYSG05018001	Rear Shock Absorber Assy
2	GB/T5789-M10×35	Flange Bolt, M10×35
3	GB/T5780-M8×32	Hex Bolt, M8×32

图 19	主电缆	Model	JONWAY 50QT-21B
Draft 19	WIRE HARNESS	Part No.	YYSG05019000



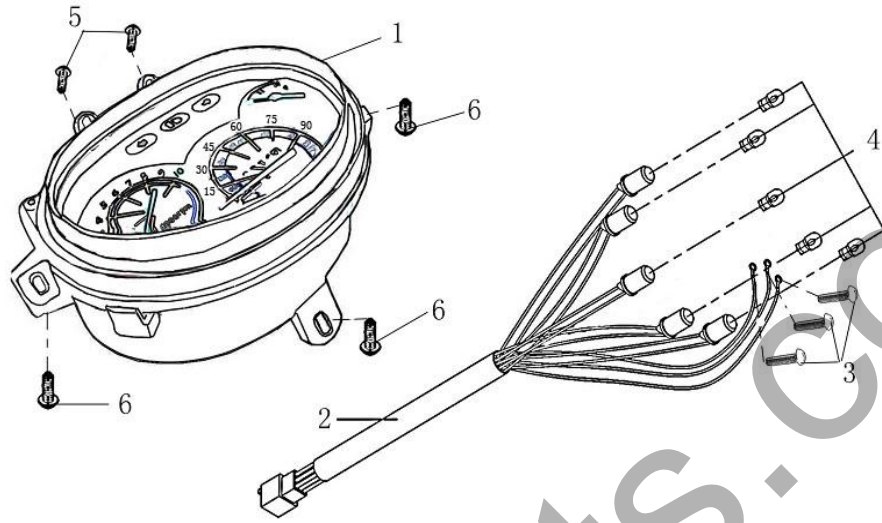
NO.	Part NO.	Description
1	YYSG05019001	Wire Harness
2	YYPT05019002	Horn
3	YYPT05019003	Winker Relay
4	YYPT05019004	Fuse Box
5	YYPT05019005	Fuse 7A
6	YYPT05019006	Strip Set
7	YYSG05019007	Ignition Switch
8	YYSG05019008	Cap, Ignition Switch
9	YYSG05019009	Lock Set
10	YYSG05019010	Discharge Resistance

图 20	蓄电池	Model	JONWAY 50QT-21B
Draft 20	BATTERY	Part No.	YYSG05020000



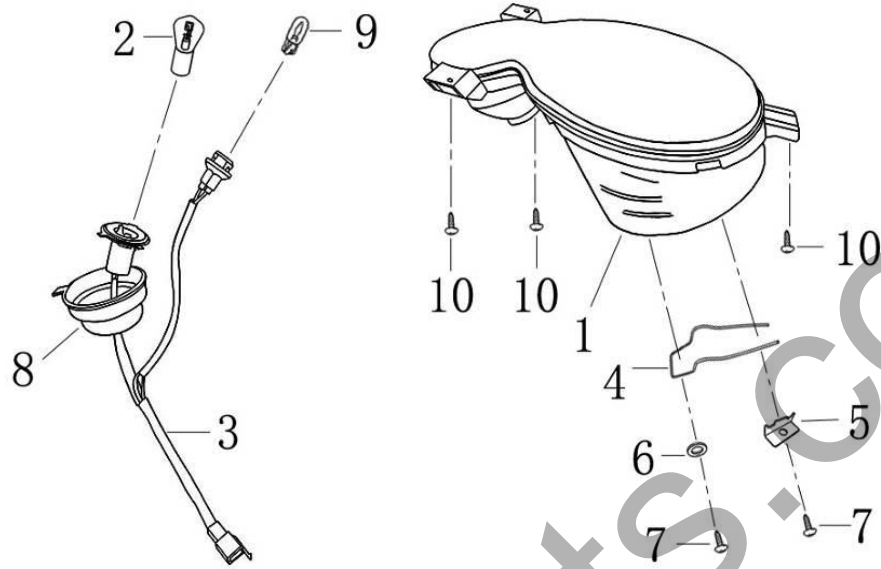
NO.	Part NO.	Description
1	YYSG05020001	Battery 12V7AH
2	YYSG05020002	Cable, Positive Pole
3	YYSG05020003	Cable, Grounding
4	GB/T29.2-M6×10	Bolt, M6×10
5	YYSG05020004	Square Nut, M6

图 21	仪表	Model	JONWAY 50QT-21B
Draft 21	METER	Part No.	YYSG05021000



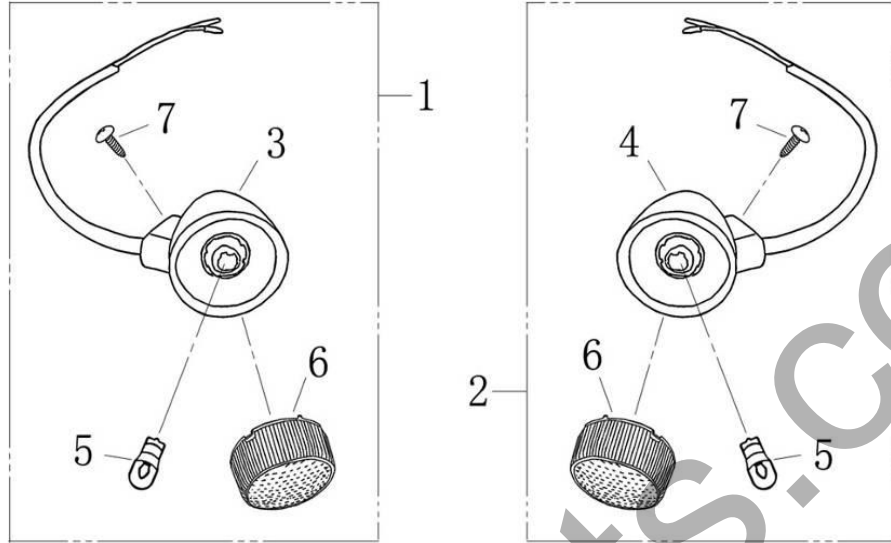
NO.	Part NO.	Description
1	YYSG05021001	Meter Assy
2	YYSG05021002	Wire Cable, Meter
3	GB/T823-M3×21	Screw, M3×21
4	YYSG05021003	Bulb, Meter Light 12V3W
5	GB/T845-ST4.2×12	Screw, Tapping ST4.2×12
6	GB/T845-ST4.8×12	Screw, Tapping ST4.8×12

图 22	前照灯	Model	JONWAY 50QT-21B
Draft 22	HEADLIGHT	Part No.	YYSG05022000



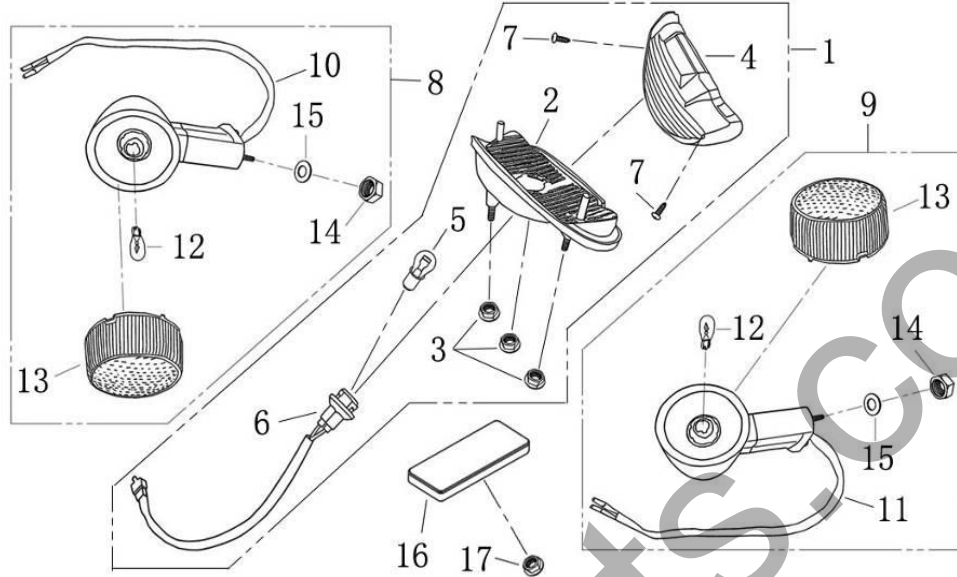
NO.	Part NO.	Description
1	YYSG005022001	Headlight Comp
2	YYSG005022002	Bulb, Headlight 12V35W/35W
3	YYSG005022003	Wire Cable, Headlight
4	YYSG005022004	Card
5	YYSG005022005	Washer
6	GB/T95- φ5	Plain Washer, φ5
7	GB/T845-ST4.2×10	Screw, Tapping ST4.2×10
8	YYSG005022006	Position Light
9	YYSG005022007	Bulb, Position Light 12V 3W
10	GB/T845-ST4.2×12	Screw, Tapping ST4.2×12

图 23	前转向灯	Model	JONWAY 50QT-21B
Draft 23	FRONT TURNING LIGHT	Part No.	YYSG05023000



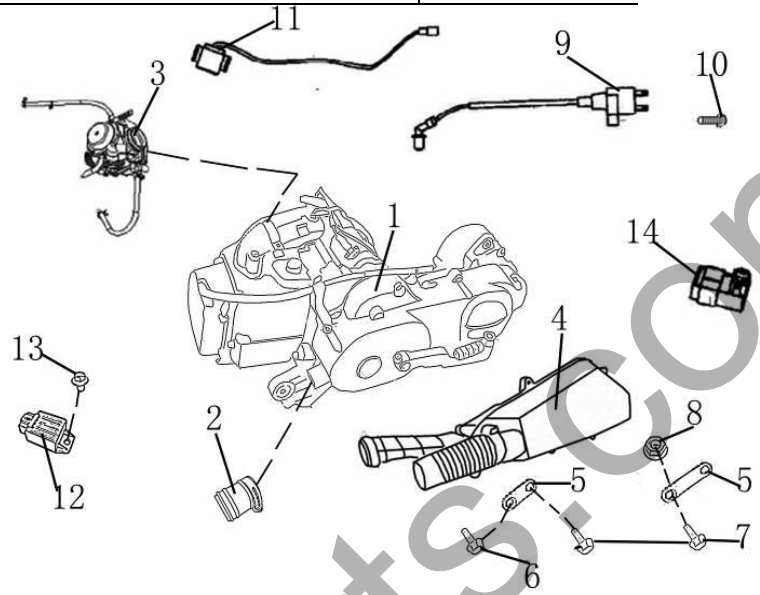
NO.	Part NO.	Description
1	YYSG05023001	L. Front Turning Light Assy
2	YYSG05023002	R. Front Turning Light Assy
3	YYSG05023003	Holder, L. Front Turning Light Assy
4	YYSG05023004	Holder, R. Front Turning Light Assy
5	YYSG05023005	Bulb, Front Turning Light 12V10W
6	YYSG05023006	Len, Front Turning Light Assy
7	GB/T845-ST4.8×12	Screw, Tapping ST4.8×12

图 24	尾灯/后转向灯	Model	JONWAY 50QT-21B
Draft 24	REAR LIGHT/REAR TURNING	Part No.	YYSG05024000



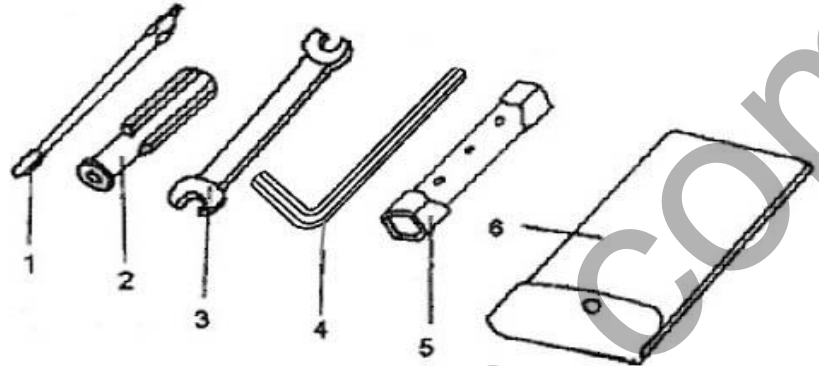
NO.	Part NO.	Description
1	YYSG05024001	Rear Light Assy
2	YYSG05024002	Holder, Rear Light
3	GB/T6177.1-M5	Flange Nut, M5
4	YYSG05024003	Len, Rear Light
5	YYSG05024004	Bulb, Rear Light(12V/5w/21w)
6	YYSG05024005	Wire Cable, Rear Light
7	GB/T15856.1-4.2×16	Screw, Tapping ST4.2×16
8	YYSG05024006	L. Rear Turning Light Assy
9	YYSG05024007	R. Rear Turning Light Assy
10	YYSG05024008	Holder, L. Rear Turning Light Assy
11	YYSG05024009	Holder, R. Rear Turning Light Assy
12	YYSG05024010	Bulb, Rear Turning Light
13	YYSG05024011	Len, Rear Turning Light
14	GB/T41-M8	Hex Nut, M8
15	GB/T95-φ8	Plain Washer, φ8
16	YYSG05024012	Rear Retro Reflecting Device
17	GB/T6177.1-M5	Flange Nut, M5

图 25	发动机总成/空滤器	Model	JONWAY 50QT-21B
Draft 25	ENGINE COMP & AIR CLEANER	Part No.	YYSG05025000



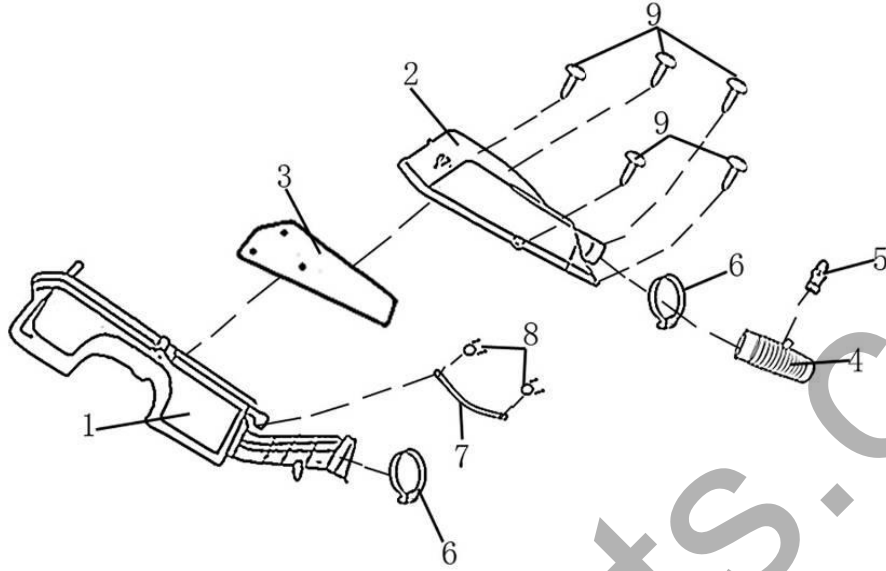
NO.	Part NO.	Description
1	YYSG05025001	Engine Assy
2	YYSG05025002	Air Inlet Pipe
3	YYSG05025003	Carburetor Assy
4	YYSG05025004	Air Cleaner Assy
5	YYSG05025005	Fixing Connecting Plate, Air Cleaner
6	GB/T5789-M6x30	Bolt, M6x30
7	GB/T5789-M6x16	Bolt, M6x16
8	GB/T6177.1-M6	Flange Nut, M6
9	YYPT05025006	Ignition Coil Assy
10	GB/T818-M6x25	Screw, M6x25
11	YYPT05025007	Starter Relay
12	YYPT05025008	Rectifier
13	GB/T5789-M6x16	Bolt, M6x16
14	YYPT05025009	CDI

图 26	随车工具	Model	JONWAY 50QT-21B
Draft 26	TOOLS ASSY	Part No.	YYPT05026000



NO.	Part NO.	Description
1	YYPT05026001	Double Ended Screw Driver
2	YYPT05026002	Screw Driver Socket
3	YYPT05026003	Double Ended Spanner 8-10
4	YYPT05026004	Inner Hex Spanner
5	YYPT05026005	Spark Plug Socket
6	YYPT05026006	Tools Bag

图 27	空滤器	Model	JONWAY 50QT-21B
Draft 27	AIR CLEANER	Part No.	YYSG05027000



NO.	Part NO.	Description
1	YYSG05025001	Body, Air Cleaner
2	YYSG05025002	Cover, Air Cleaner
3	YYSG05025003	Filter Core
4	YYSG05025004	Breather Tube
5	YYSG05025005	Joint, Breather Tube
6	YYSG05025006	Fixing Ring
7	YYSG05025007	Overflow Oil Tube
8	YYSG05025008	Clip
9	GB/T845-ST4.8×12	Screw, Tapping ST4.8×16

FamilyGokarts.com

FamilyGokarts.com

FamilyGokarts.com

FamilyGokarts.com

FamilyGokarts.com

FamilyGokarts.com

FamilyGokarts.com

FamilyGokarts.com

FamilyGokarts.com

FamilyGokarts.com

FamilyGokarts.com

FamilyGokarts.com

FamilyGokarts.com

FamilyGokarts.com

FamilyGokarts.com

FamilyGokarts.com

FamilyGokarts.com

FamilyGokarts.com

FamilyGokarts.com

FamilyGokarts.com

FamilyGokarts.com

FamilyGokarts.com

FamilyGokarts.com

FamilyGokarts.com

FamilyGokarts.com

FamilyGokarts.com

FamilyGokarts.com