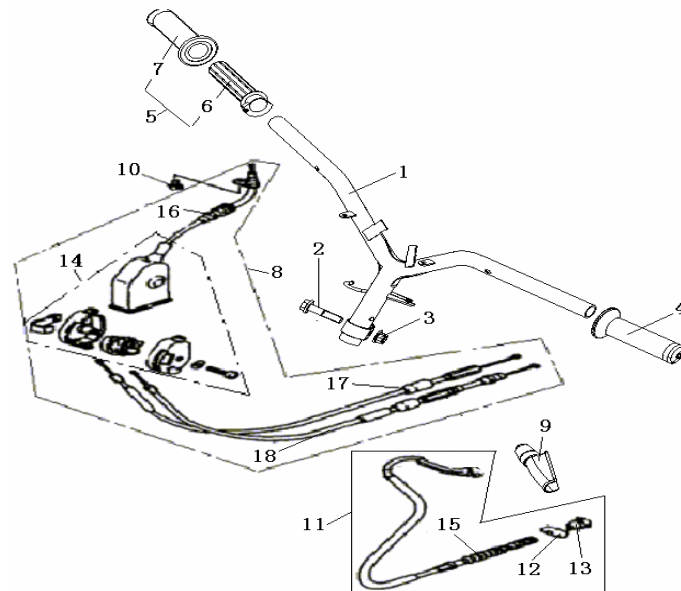
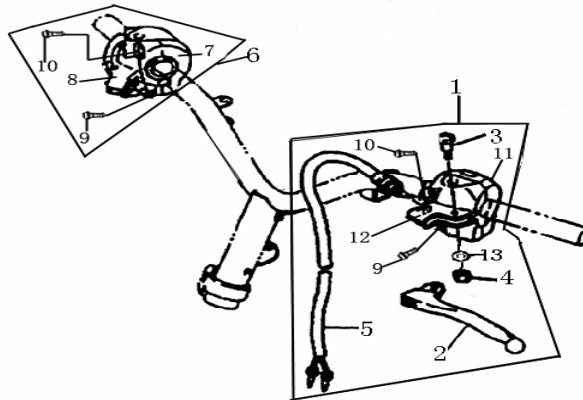


BODY PARTS LIST OF B08 AMERICANO 50



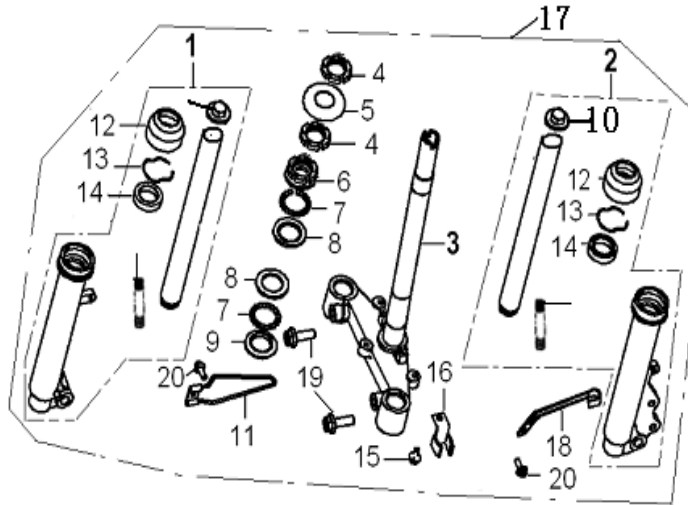
STEERING

NO.	CODE		QTY.
1	40100B920001	HANDLE COMP.	1
2	B01591004565	BOLT 10×1.25×45MM	1
3	B04171012555	U NUT 10×1.25MM	1
4	40001T090001	L. GRIP	1
5	40210T090001	R. GRIP ASSY.	1
6	40211T090001	R. GRIP	1
7	40212T090001	THROTTLE GUIDE TUBE	1
8	40300B910001	CABLE ASSY. THROTTLE	1
9	40008B910000	JACKET,RR. BRAKE CABLE	1
10	B02000501025	SCREW 5×10MM	1
11	40270B920000	BRAKE CABLE ASSY.	1
12	40273B910000	PIN,STOP(GOLD COLORED)	1
13	40271B910000	NUT, ADJUSTING	1
14	40340B910001	JUNCTION BOX	1
15	40274B920000	SPRING (GOLD COLORED)	1
16	40306B910000	CABLE THROTTLE 1	1
17	40307B910000	CARBURETOR LINE	1
18	40308B910000	OIL PUMP LINE	1



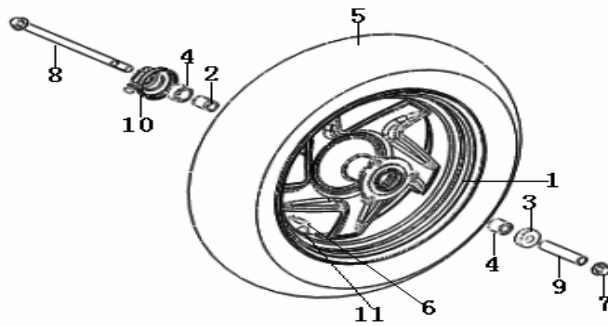
LEVER/HANDLE SWITCH

NO.	CODE		QTY.
1	40500B910000	LEFT HANDLE SWITCH ASSY.	1
2	40002B910000	LEFT LEVER	1
3	40004B310000	LEVER MOUNTING SCREW	1
4	B04000500065	NUT 5MM	1
5	91700B310000	STOP SWITCH ASSY.	1
6	40600B91000A	RIGHT HANDLE SWITCH ASSY.	1
7	40610B91000A	RIGHT HANDLE SWITCH	1
8	40620B910000	R. SWITCH FIXING SEAT	1
9	B02000502025	PAN HEAD SCREW 5×20MM	2
10	B02000502525	PAN HEAD SCREW 5×25MM	2
11	40510B910000	LEFT HANDLE SWITCH	1
12	40520B910000	L. SWITCH FIXING SEAT	1
13	B07000000505	SPRING WASHER 5MM	1



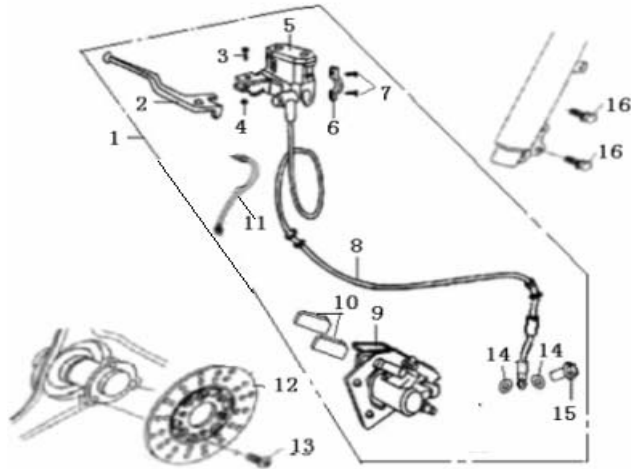
FRONT FORK ASSY.

NO.	CODE		QTY.
1	43300B920001	FR.R. FORK ASSY.	1
2	43200B920001	FR. L. FORK ASSY.	1
3	43100B920003	STEM, STEERING	1
4	43008B310000	NUT	2
5	43005B920001	BALL RACE COVER	1
6	43001B920002	BALL RACE, CONNECTING	1
7	B06010150000	STEEL BALL ϕ 5 (A SET OF 42)	42
8	43003B920000	BALL RACE	2
9	43004B920000	BALL RACE	1
10	43204B920001	CAP BOLT	2
11	43150B310000	CLIP, SPEEDOMETER CABLE	1
12	43290K010000	DUST SEAL	2
13	43207K010000	CLIP	2
14	43260K010000	OIL SEAL	2
15	B01090601265	BOLT 6X12MM	1
16	43035B920000	HOLDER, BRAKE HOSE 2	1
17	43000B920001	FRONT FORK ASSY.	1
18	43021B910003	HOLDER, BRAKE HOSE 1	1
19	B01591003065	BOLT 10X1.25X30MM	2
20	B01070601665	BOLT 6X16MM	2



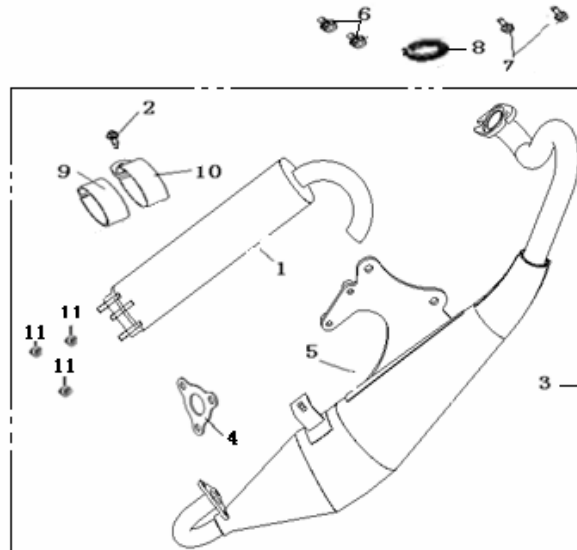
FRONT WHEEL ASSY.

NO.	CODE		QTY.
1	44100B91RH02	FR. RIM COMP. 3.5×12" (RED)	1
1	44100B91YE02	FR. RIM COMP. 3.5×12" (YELLOW)	1
1	44100B91LK02	FR. RIM COMP. 3.5×12" (BLUE)	1
2	44600B910910	DISTANCE COLLAR COMP.	1
3	44300B910000	OIL SEAL 22×35×7	1
4	B12016020100	BALL BEARING 6201-2RS	2
5	B140707D1211	TIRE 120/70-12 (ZHENGXIN, DOT)	1
6	B1403Z201100	RIM VALVE Z2-01-1	1
7	B04171212563	U NUT 12×1.25MM	1
8	44004G250000	FR.WHEEL AXLE	1
9	44005B910000	COLLAR	1
10	44200B91BH00	SPEEDOMETER GEAR COMP.BLUE	1
11	B1404Z2011C0	CAP, VALVE	1



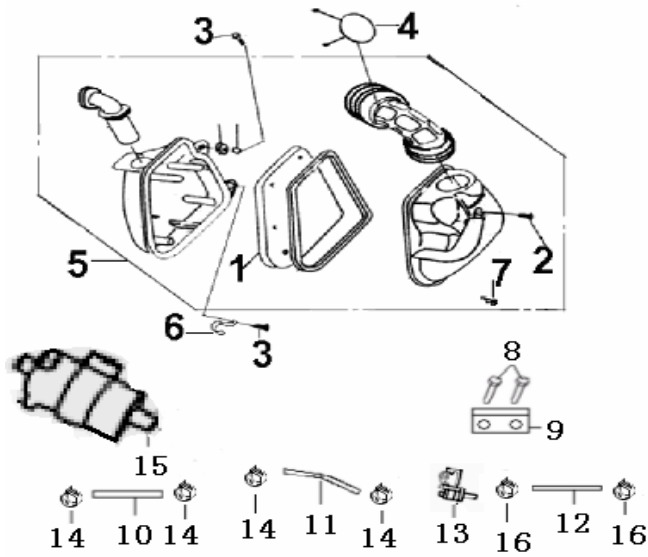
FRONT DISK BRAKE

NO.	CODE		QTY.
1	45000T10B303	DISC BRAKE ASSY., FR.(UP AND DOWN, BLACK)	1
2	45014B920000	BRAKE LEVER (145MM、φ14MM)	1
3	45015T400000	LEVER MOUNTING SCREW	1
4	B04160600065	NUT 6MM	1
5	45400B92B300	MASTER CYLINDER COMP. (BLACK)	1
6	45023T010000	MASTER CYLINDER BRACKET	1
7	B01070602365	BOLT 6×23MM	1
8	45200B920000	FR. BRAKE HOSE	1
9	45500T100B30	CALIPER ASSY. (BLACK)	1
10	45110T100000	BRAKE PAD KIT ASSY	1set
11	45300T030000	STOP SWITCH ASSY.	1
12	45033B92C100	BRAKE DISC(SILVER)	1
13	45036B310000	BOLT	3
14	45653B920000	WASHER	2
15	45651B920000	FLANGE BOLT	1
16	45039T100001	BOLT 8×36MM	2



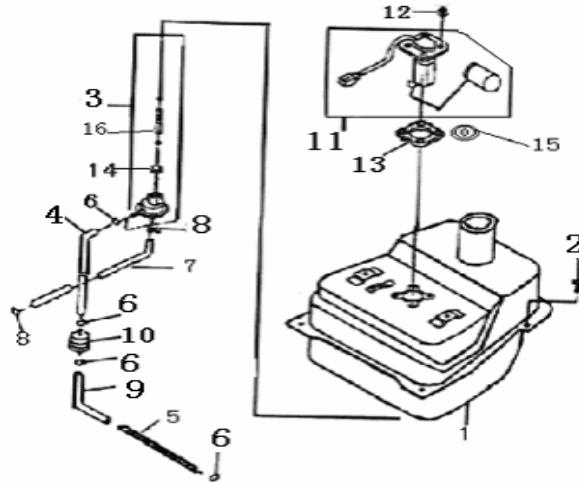
MUFFLER

NO.	CODE		QTY.
1	48300B910000	MUFFLER ASSY.	1
2	B01070601665	BOLT 6X16MM	1
3	47100B91000G	MUFFLER ASSY.COMP	1
4	47490B910000	CUSHION	1
5	47200B030006	MUFFLER ASSY.	1
6	B01090802065	BOLT 8X20MM	2
7	B01090601665	BOLT 6X16MM	2
8	47800B070000	GASKET, EXHAUST PIPE	1
9	47833B140005	ADIABATIC RUBBER	1
10	48831B140005	MUFFLER HOOP	1
11	47006J010000	NUT 6MM	3



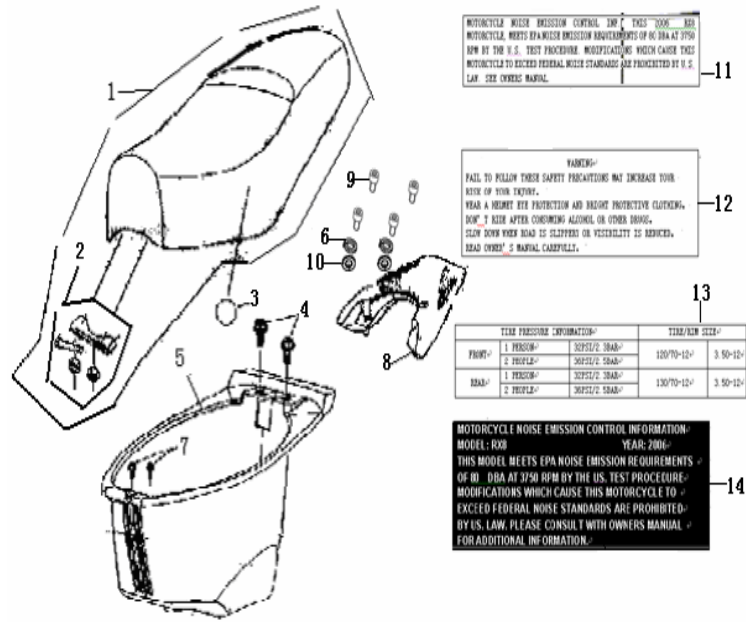
AIR CLEANER

NO.	CODE		QTY.
1	49200B920000	FILTER	1
2	B05074202005	TAPPING SCREW 4.2×20MM	5
3	B01090602065	BOLT 6×20MM	2
4	49016B910000	CLIP 42.5	1
5	49000B920001	AIR CLEANER ASSY.	1
6	49371B070000	GUIDE, BRAKE CABLE	1
7	B05074201205	TAPPING SCREW 4.2×12MM	4
8	B01090601265	BOLT 6×12MM	2
9	57051B140000	PLATE, ONE WAY VALVE	1
10	49853B920002	HOSE II 200MM	1
11	49852B920001	HOSE I 250MM	1
12	49851B920002	HOSE 260MM	1
13	49840W110000	ONE WAY VALVE II	1
14	49805B920000	SPRING II, LOCK φ17.5	4
15	49870B140000	AIR CLEANER, SMALL	1
16	49855W110000	SPRING II, LOCK φ16.5	2



FUEL TANK

NO.	CODE		QTY.
1	50100B920002	FUEL TANK COMP.	1
2	B01090601665	BOLT 6×16MM	4
3	50300B910000	FUEL COCK ASSY.	1
4	50301B910000	FUEL HOSE 1 , φ4.5×φ8.5×80	1
5	50316B920000	SPRING(BLACK)	1
6	50307B910000	CLIPφ8	4
7	50302B910000	VACUUM HOSE,φ4×φ8×360	1
8	50306B910000	CLIPφ7	2
9	50303B910000	FUEL HOSE 2,	1
9	50303B910000	φ4.5×φ8.5×250	1
10	50340T020000	FUEL FILTER ASSY.	1
11	50800B920000	SENDER UNIT	1
12	50801B910000	BOLT 5×16MM	4
13	50004B920000	SENDER UNIT GASKET	1
14	50312T020000	SEAL RING	1
15	B07020000505	WASHER 5MM	4
16	50352B910000	FUEL FILTER	1



MOTORCYCLE NOISE EMISSION CONTROL INFORMATION:
 MODEL: RX9 YEAR: 2006
 THIS MODEL MEETS EPA NOISE EMISSION REQUIREMENTS OF 86 DBA AT 3750 RPM BY THE U.S. TEST PROCEDURE. MODIFICATIONS WHICH CAUSE THIS MOTORCYCLE TO EXCEED FEDERAL NOISE STANDARDS ARE PROHIBITED BY U.S. LAW. PLEASE CONSULT WITH OWNERS MANUAL FOR ADDITIONAL INFORMATION.

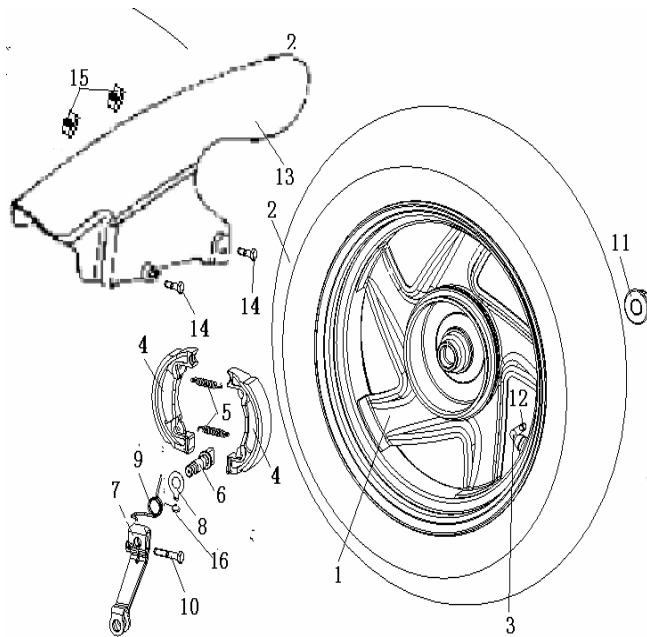
WARNING:
 FAIL TO FOLLOW THESE SAFETY PRECAUTIONS MAY INCREASE YOUR RISK OF YOUR INJURY.
 READ A HENRY RITE PROTECTION AND WEAR PROTECTIVE CLOTHING, BOV, T RIDE AFTER CONSUMING ALCOHOL OR OTHER DRUGS.
 SLOW DOWN WHEN ROAD IS SLIPPERY OR VISIBILITY IS REDUCED.
 READ OWNER'S MANUAL CAREFULLY.

TIRE PRESSURE INFORMATION		TIRE/BIKE SIZE	
FRONT	1 FRONT 30PSI/2 BAR	120/70-12	3.50-12
	2 FRONT 30PSI/2 BAR		
REAR	1 REAR 30PSI/2 BAR	130/70-12	3.50-12
	2 REAR 30PSI/2 BAR		

MOTORCYCLE NOISE EMISSION CONTROL INFORMATION:
 MODEL: RX9 YEAR: 2006
 THIS MODEL MEETS EPA NOISE EMISSION REQUIREMENTS OF 86 DBA AT 3750 RPM BY THE U.S. TEST PROCEDURE. MODIFICATIONS WHICH CAUSE THIS MOTORCYCLE TO EXCEED FEDERAL NOISE STANDARDS ARE PROHIBITED BY U.S. LAW. PLEASE CONSULT WITH OWNERS MANUAL FOR ADDITIONAL INFORMATION.

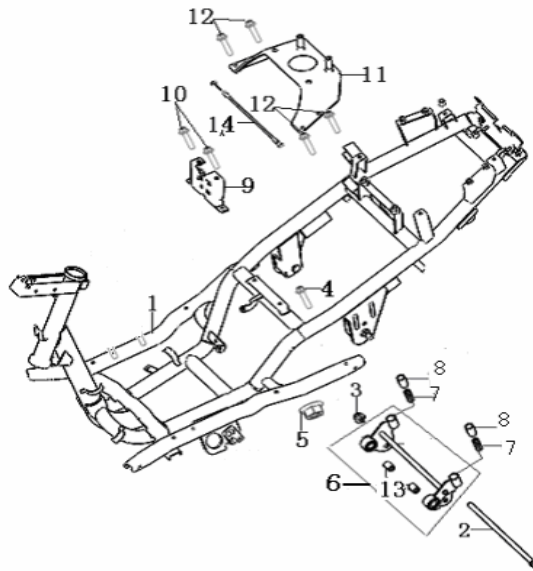
SEAT

NO.	CODE		QTY.
1	51100B92001K	SEAT ASSY.RED/BLACK	1
1	51100B92002K	SEAT ASSY.YELLOW/BLACK	1
1	51100B92003K	SEAT ASSY.BLUE/BLACK	1
2	51080B920001	SEAT HINGE	1
3	08032B910000	O-RING 84.4×3.1	1
4	08011H010000	BOLT 6×14MM	2
5	51004B920001	LUGGAGE BOX	1
6	B07030000805	WASHER 8MM	2
7	08017T090000	BOLT W/WASHER 6×20MM	2
8	52011B33BA00	RR.. CARRIER COMP (BLACK)	1
9	B02050804565	SCREW 8×45MM	4
10	08027T090000	WASHER	2
11	05536B920001	NOISE .CONTROL, 1 (DOT)	1
12	05535B920000	WARNING STICKER (DOT)	1
13	05533B920001	TIRE PRESSURE (DOT)	1
14	05536B920002	NOISE .CONTROL, 2 (DOT)	1



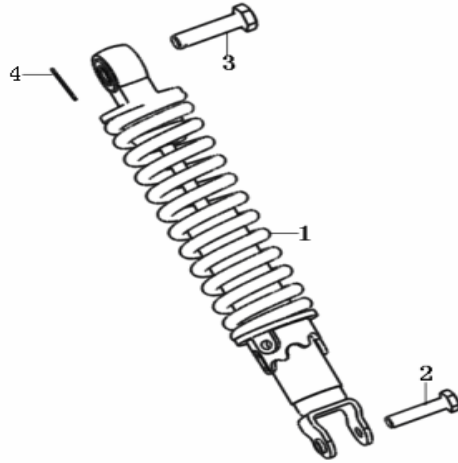
REAR WHEEL

NO.	CODE		QTY.
1	54100B91RH02	RR .RIMCOMP.3.5×12" (RED)	1
1	54100B91YE02	RR .RIMCOMP.3.5×12" (YELLOW)	1
1	54100B91LK02	RR .RIMCOMP.3.5×12" (BLUE)	1
2	B140708D1211	TIRE 130/70-12 (ZHENGXIN, DOT)	1
3	B1403Z201100	RIM VALVE Z2-01-1	1
4	54200B920000	BRAKE SHOE KIT	2
5	54001B920000	SPRING BRAKE SHOE	2
6	54003B910000	CAM SHAFT	1
7	54007B910000	CAM SHAFT LEVER	1
8	54002B910000	INDICATOR PLATE	1
9	54008B920000	TENSION SPRING	1
10	08012B910000	HEX. BOLT M6X30	1
11	B04171601553	U NUT 16X1.5MM	1
12	B1404Z2011C0	CAP, VALVE	1
13	65701B920001	REAR FENDER	1
14	B01090602065	BOLT 6X20MM	2
15	65803T020000	SPRING NUT M6	2
16	B190101000A0	O RING 10×1.9MM	1



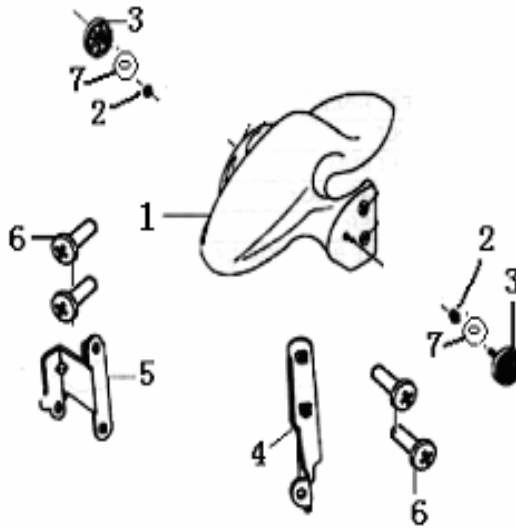
FRAME BODY

NO.	CODE		QTY.
1	57100B920007	FRAME COMP.	1
2	58303B910001	E/G MOUNTING BOLT,M12X1.25X280	1
3	B04171212565	U NUT 12X1.25MM	1
4	58301B920000	E/G MOUNTING BOLT,	2
5	B04171012555	U NUT 10X1.25MM	2
6	58360B920000	E/G BRKT COMP.	1
7	58302B070000	DAMPER	2
8	58304B920000	SPRING	2
9	58800B910000	SEAT CATCH COMP.	1
10	B01090602565	BOLT 6X25MM	2
11	57080B330000	CARRIER BRACKET	1
12	B01090601265	BOLT 6X12MM	5
13	58350B310000	BUFFER, ENGINE BRACKET	2
14	58900B920000	SEAT CABLE	1



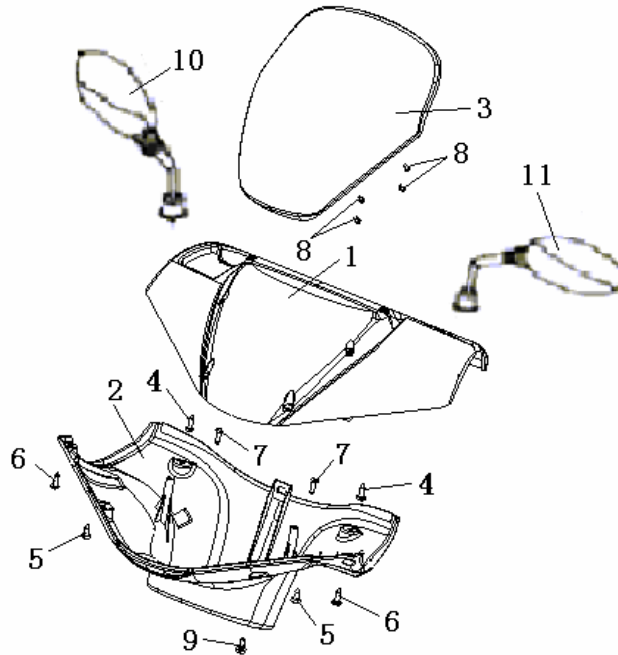
REAR ABSORBER

NO.	CODE		QTY.
1	63100B91RH00	RR. ABSORBER COMP. (RED)	1
1	63100B91YE00	RR. ABSORBER COMP. (YELLOW)	1
1	63100B91LK00	RR. ABSORBER COMP. (BLUE)	1
2	63015T020000	FLANGE BOLT , 8X31MM	1
3	B01141004063	BOLT.W/HOLE 10X1.25X40MM	1
4	63016B070000	SPLIT PIN	1



FRONT FENDER

NO.	CODE		QTY.
1	65101B92RH00	FRONT FENDER, (PLATINA CL)	1
1	65101B92YE00	FRONT FENDER, (RED R8)	1
1	65101B92LK00	FRONT FENDER, (BLUE EH)	1
2	B04000500063	NUT 5MM	2
3	66300B920000	REAR REFLECTOR(AMBER, DOT)	2
4	65130B920000	FRONT FENDER BRACKET, 1	1
5	65140B920000	FRONT FENDER BRACKET, 2	1
6	65114B920000	SCREW W/WASHER M6X16	4
7	B07030000503	WASHER 5MM	2



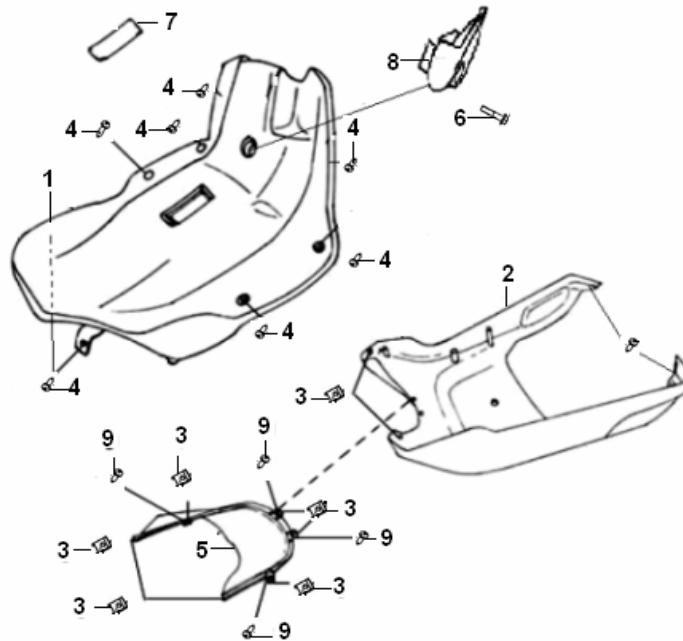
HANDLE COVER

NO.	CODE		QTY.
1	65201B92RH02	HANDLE COVER, 1, (RED)	1
1	65201B92YE02	HANDLE COVER, 1, (YELLOW)	1
1	65201B92LK02	HANDLE COVER, 1, (BLUE)	1
2	65202B920000	HANDLE COVER, 2	1
3	65203B920000	METER VISION ASSY.	1
4	B05075001605	TAPPING SCREW 5×16MM	2
5	B05075001205	TAPPING SCREW 5×12MM	2
6	B05074001205	TAPPING SCREW 4×12MM	2
7	B05074001605	TAPPING SCREW 4×16MM	2
8	B05073001005	TAPPING SCREW 3×10MM	4
9	B13010501405	SCREW 5×14MM	1
10	40480B92RH00	REAR VIEW MIRROR ASSY., R(E-MARK, (RED)	1
10	40480B92YE00	REAR VIEW MIRROR ASSY., R(E-MARK, (YELLOW)	1
10	40480B92LK00	REAR VIEW MIRROR ASSY., R(E-MARK, (BLUE)	1
11	40450B92RH00	REAR VIEW MIRROR ASSY., L(E-MARK, (RED)	1
11	40450B92YE00	REAR VIEW MIRROR ASSY., L(E-MARK, (YELLOW)	1
11	40450B92LK00	REAR VIEW MIRROR ASSY., L(E-MARK, (BLUE))	1



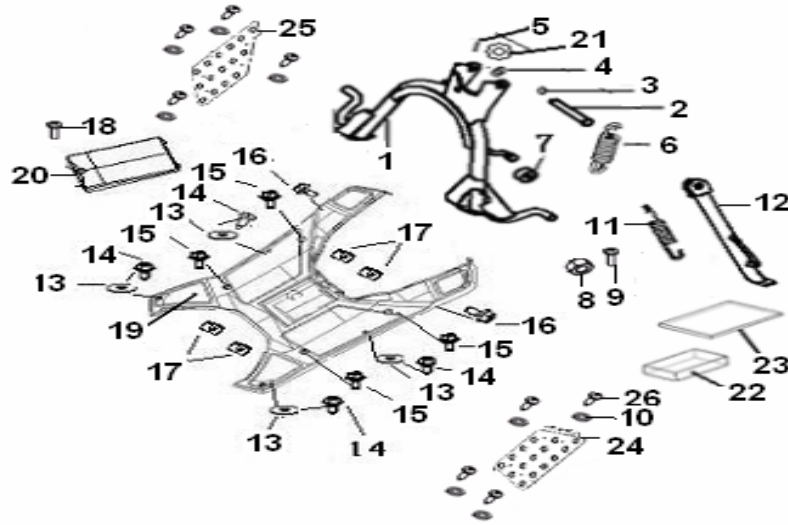
FRONT COVER

NO.	CODE		QTY.
1	65301B92013A	LEG SHIELD, (RED/BLACK)	1
1	65301B92024A	LEG SHIELD, (YELLOW/BLACK)	1
1	65301B92014A	LEG SHIELD, (BLUE/BLACK)	1
2	65314B920000	SCREW	1
3	08027T090000	PLASTIC WASHER	1
4	B05074201605		4
5	65367B920000	COVER, R	1
6	65366B920000	COVER, L	1
7	B05074001205	TAPPING SCREW 4×12MM	6
8	65801B310000	SPRING NUT 4MM	4



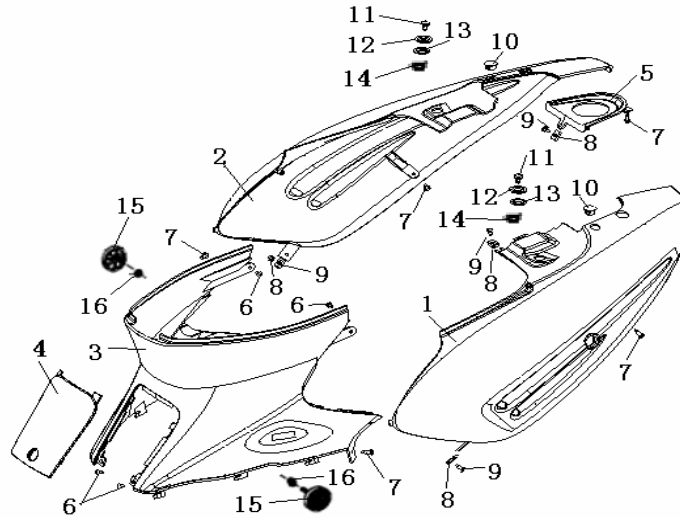
LEG SHIELD

NO.	CODE		QTY.
1	65402B920000	LEG SHIELD, 2	1
2	65406B920020	UNDER COVER(SILVER/BLACK)	1
4	B05074801605	TAPPING SCREW 4.8X16MM	8
5	65407B330000	INNER FENDER	1
6	B01090603065	BOLT 6X30MM	1
7	65403B920000	INSPECT COVER	1
8	51011B920000	HOOK, HELMET	1
9	B05074201605	TAPPING SCREW 4.2X16MM	8



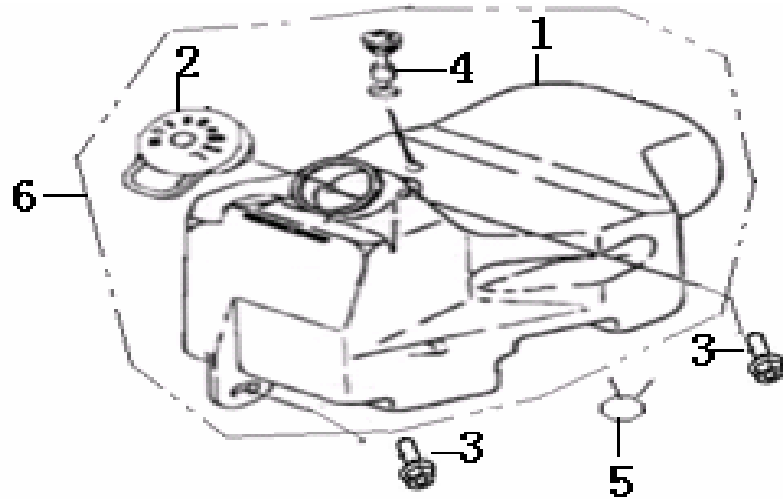
FOOTREST/STAND

NO.	CODE		QTY.
1	58520B910002	MAIN STAND COMP.	1
2	58590B910000	PIN	1
3	B190101000A0	O-RING 10X1.8	1
4	58508B070000	PLATE WASHER	1
5	63016B070000	SPLIT PIN	1
6	58510B910000	MAIN STAND SPRING ASSY.	1
7	58507B910000	CUSHION, MAIN STAND	1
8	B04020800053	NUT 8MM	1
9	08011B290000	BOLT, SINGLE STAND	1
10	57031B920000	WASHER	8
11	57003B910000	SIDE STAND SPRING	1
12	58700B910000	SIDE STAND COMP.	1
13	B07030000505	WASHER 5MM	4
14	B05074001605	TAPPING SCREW 4X16MM	6
15	08011H010000	BOLT 6X14MM	4
16	B01090601265	BOLT 6X12MM	4
17	65802B310000	SPRING NUT 4.8MM	6
18	B05075001605	TAPPING SCREW 5X16MM	1
19	65401B920000	FLOOR, BLACK	1
20	65813B920000	BATTERY COVER	1
21	B07030001005	WASHER 10MM	1
22	65812B920000	BATTERY DAMPER II	1
23	65811B920000	BATTERY DAMPER I	1
24	65411B920000	FOOT PLATE, L	1
25	65412B920000	FOOT PLATE, R	1
26	B05004201305	SCREW 4.2X13MM	8



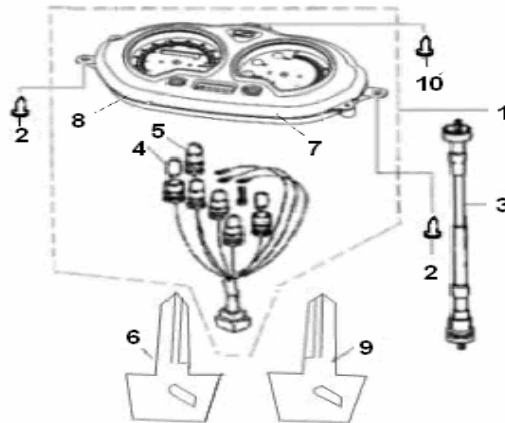
SIDE COVER

NO.	CODE		QTY.
1	65601B92BA00	SIDE COVER,1 (BLACK)	1
2	65602B92BA00	SIDE COVER, 2 (BLACK)	1
3	65605B920001	SIDE COVER, 3	1
4	65619B920000	SIDE COVER, 4	1
5	65606B92BA00	SIDE COVER, 5, (BLACK)	1
6	B05074001205	SCREW 4×12MM	4
7	B05075001605	SCREW 5×16MM	5
8	65802B310000	SPRING NUT 5MM	4
9	B05075001205	SCREW 5×12MM	4
10	65608B920000	CAP, DECORATION	2
11	B02000602023	SCREW 6×20MM	2
12	08021B920000	WASHER	2
13	65616J000000	RUBBER WASHER	2
14	65627B920000	BUSH	2
15	66300B920001	REAR REFLECTOR(REDF, DOT)	2
16	B04070600053	NUT 6MM	2



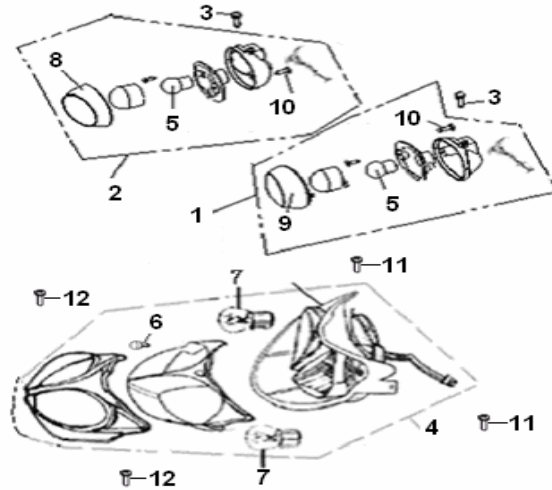
OIL TANK.

NO.	CODE		QTY.
1	64001B310000	OIL TANK	1
2	64090B310000	OIL TANK CAP	1
3	B01090601665	BOLT 6×16MM	2
4	64100B310000	OIL LEVER GAUGE ASSY.	1
5	50307B910000	CLIP φ8	1
6	64000B310000	OIL TANK ASSY.	1



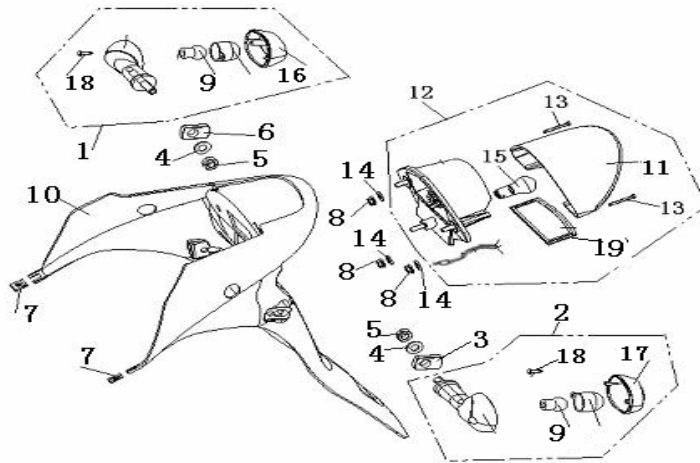
SPEEDOMETER ASSY.

NO.	CODE		QTY.
1	70000B920028	SPEEDOMETER COMP.	1
2	B05074001205	TAPPING SCREW 4X12MM	2
3	72900B920000	SPEEDOMETERCABLE COMP.	1
4	B24012920000	BULB 12V-3W	3
5	B24020221100	BULB 12V-2W	3
6	88900B92000X	KEY NUT (LEFT)	1
7	70003B920004	SPEEDOMETER COVER	1
8	76000B920001	DIGITAL WATCH	1
9	88900B92001X	KEY NUT(RIGHT)	1
10	B05074001205	TAPPING SCREW 4X12 MM	1



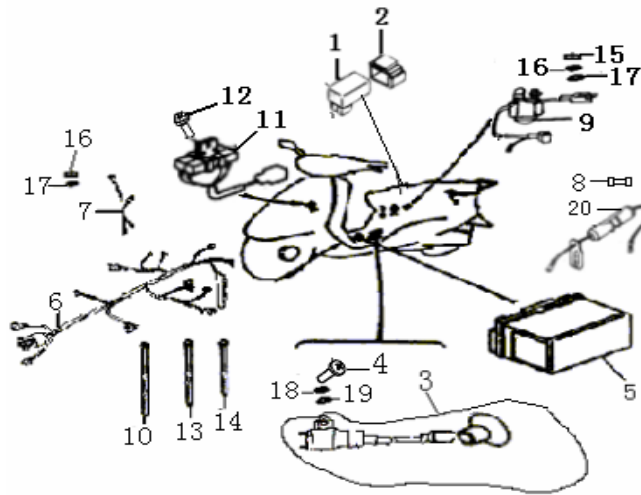
FLASHER

NO.	CODE		QTY.
1	81100B910002	FRONT LH INDICATOR	1
2	81300B910002	FRONT RH INDICATOR	1
3	08005X010000	SCREW W/WASHER 5X11.5MM	2
4	80000T090000	HEAD LIGHT ASSY. (E MARK)	1
4	80000T090001	HEAD LAMP ASSY.	1
5	B24012120000	BULB, 12V//10W	2
6	B24012920000	BULB 12V-3W	2
7	B24010520000	BULB (12V35/35W)	2
8	81302B910001	LIGHT COVER, FRONT R.	1
9	81102B910001	LIGHT COVER, FRONT L.	1
10	08011B030000	SCREW 3X28MM	2
11	B05075016005	TAPPING SCREW 5X16MM	2
12	B05074816005	TAPPING SCREW 5X16MM	2



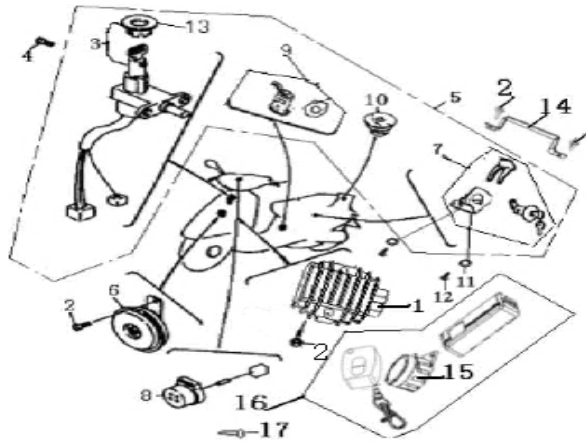
TAIL LIGHT

NO.	CODE		QTY.
1	81700B910002	REAR RH INDICATOR	1
2	81500B910002	REAR LH INDICATOR	1
3	81511B910000	FLASHER LIGHT CUSHION, L	1
4	B07030001005	WASHER 10MM	2
5	B04061012555	NUT 10X1.25MM	2
6	81708B910000	FLASHER LIGHT CUSHION, R	1
7	65802B910000	SPRING NUT 5MM	2
8	B04070600065	NUT 6MM	3
9	B24012120000	BULB, 12V/10W	2
10	08202B910000	LICENSE BRACKET	1
11	82008B910001	INDICATOR LENS	1
12	82000B910002	TAIL LAMP 12V/P21/5W	1
13	08009B910000	SCREW 4X28MM	2
14	82011G130000	RUBBER WASHER	3
15	B24013820000	BULB 12V 21/5W	1
16	81502B910001	LIGHT COVER, REAR L.	1
17	81702B910001	LIGHT COVER, REAR R.	1
18	08011B030000	SCREW 3X28MM	2
19	86502B910001	REAR REFLECTOR BELOW TAIL LAMP	1



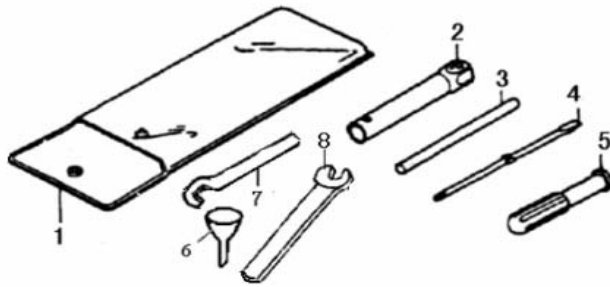
ELECTRICAL

NO.	CODE		QTY.
1	97701B910001	C.D.I. UNIT COMP.	1
2	96007B910000	CUSHION. C.D.I	1
3	96200B310000	IGNITION COIL ASSY	1
4	B02000502025	SCREW 5×20MM	1
5	96100B910000	BATTERY ASSY. 12V,4AH	1
6	92000B92000C	WIRE HARNESS ASSY.	1
7	96900B920000	WIRE HARNESS	1
8	96810B310000	FUSE 8A,250V	1
9	94100B920000	STARTER RELAY COMP.	1
10	96001K010000	BAND 8×250	3
11	96600B310000	RESISTOR COMP.	1
12	B01090601265	BOLT 6×12MM	2
13	96003K010000	BAND 8×200	3
14	96002K010000	BAND 8×150	1
15	B04000600055	NUT 6MM	1
16	B07000000605	SPRING WASHER 6MM	2
17	B07030000605	WASHER 6MM	2
18	B07000000505	SPRING WASHER 5MM	1
19	B07030000505	WASHER 5MM	1
20	96800B310000	FUSE COMP	1



ELECTRICAL

NO.	CODE		QTY.
1	98801T020000	REGULATOR COMP.	1
2	B01090601265	BOLT 6×12MM	4
3	88100B920000	MAIN SWITCH ASSY.	1
4	B01090601265	BOLT 6×12MM	2
5	88000B920000	LOCK ASSY.	1
6	95100B340000	HORN (E MARK)	1
7	88800B920000	LOCK ASSY., SEAT	1
8	96500B91000B	FLASH&AUDIO PILOT COMP.	1
9	88500B920000	LOCK, COVER	1
10	88400B920000	LOCK ASSY., FUEL TANK	1
11	B07030000505	WASHER 5MM	2
12	B05074001005	TAPPING SCREW 4×10MM	2
13	88101B920000	COVER MAIN SWITCH	1
14	95701T180000	BAKT ALARMSYSTEM	1
15	95730B920002	ALARM SYSTEM HORN	1
16	95700B920002	ALARM ASSY.	1
17	B05074801305	TAPPING SCREW 4.8×13MM	1



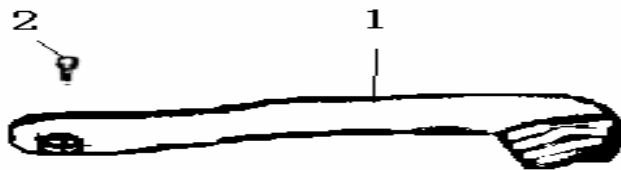
TOOL KIT

NO.	CODE		QTY.
1	02110B910000	TOOL BAG	1
2	02102B910000	SPARK PLUG SOCKET	1
3	02101B910000	SPARK PLUG SOCKET HANDLE	1
4	02103B910000	SCREW DRIVER	1
5	02104B910000	HANDLE	1
6	02114B910000	FILTER, OIL TANK	1
7	02115B910000	RR. ABSORBER ADJUSTER	1
8	02117B920000	WRENCH 35	1



STICKER

NO.	CODE		QTY.
1	05531B920000	EPA STICKER	1
2	05567BMBT002	COUNTRY OF ORIGIN MARKING	1
3	B100432007P0	RIVET3.2×7MM	2
4	57001B920000	FRAME BODY NO. PLATE	1

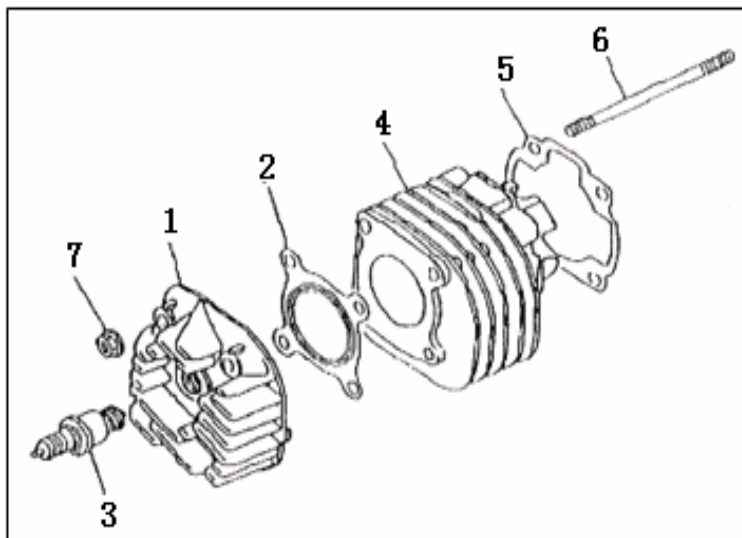


KICKSTART LEVER

NO.	CODE		QTY.
1	08351B91C100	STARTING SHAFT (SILVER)	1
2	B02050602565	SCREW 6×25MM	1

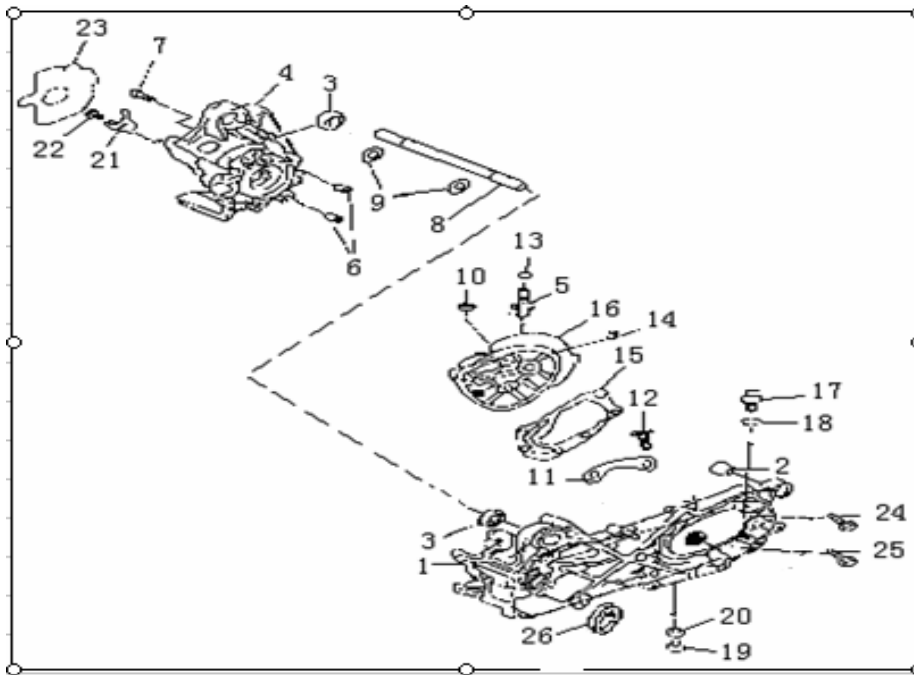
ENGINE PARTS LIST OF B08

AMERICANO 50



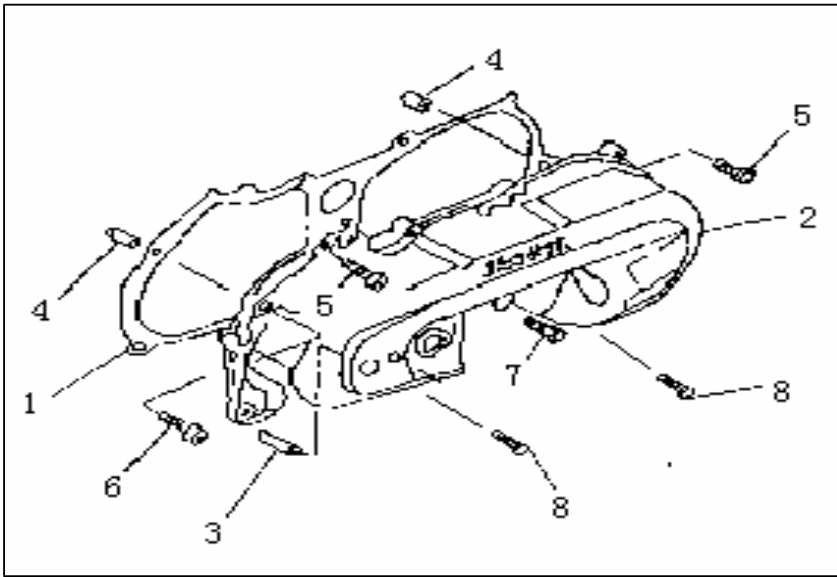
1 CYLINDER HEAD ASS

NO	CODE	DESCRIPTION	QTY
1	30701B01F00A	HEAD, CYLINDER	1
2	30507B01F000	GASKET, CYLINDER HEAD	1
3	201204.013000	SPARK PLUG	1
4	27101B01F00A	CYLINDER	1
5	204204.001000	GASKET, CYLINDER	1
6	26107B01F910	STUD BOLT	4
7	304290700062	NUT	4



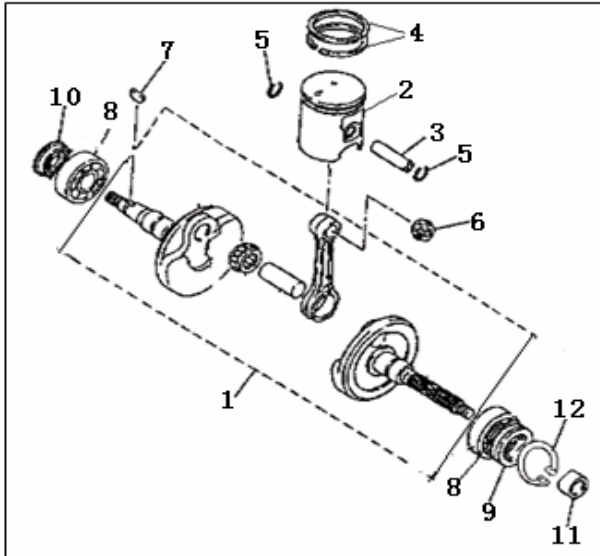
2 CRANKCASE ASSY

NO	CODE	DESCRIPTION	QTY
1	206200.045000	CRANKCASE,LH	1
2	26108G02F000	BUSH,ENGINE MOUNTING	1
3	B12016600300	BEARING 6003-2RS	2
4	26211B09F001	CRANKCASE,RH	1
5	26142G02F000	BRAKE SHOE	1
6	26123G02F000	DOWEL PIN 12X16	2
7	301310603565	PAN HEAD SCREW M6X35	6
8	26109B09F000	AXLE,engine mount	1
9	B08010001700	CIRCLIP 17	2
10	B04070812553	NUT M8	1
11	26214B09F000	BEARING HOLDER	1
12	B02000601262	PAN HEAD SCREW M6X12	2
13	14222J01F000	O-RING	1
14	26123G02F000	DOWEL PIN 12X16	2
15	214201.004000	GASKET, GEAR BOX	1
16	18101B09F000	COVER, GEAR BOX	1
17	206407.004081	OIL PLUG	1
18	26102G02F000	O RING	1
19	301310801605	FLANGE BOLT M8X16	1
20	18105H03F000	PLATE WASHER 8	1
21	26214G02F910	OIL SEAL HOLDER	1
22	301310601263	PAN HEAD SCREW M6X12	1
23	206321.001000	GASKET	1
24	301310805565	SCREW M8X55	2
25	301310805065	SCREW M8X50	5
26	207234.001000	bush	1



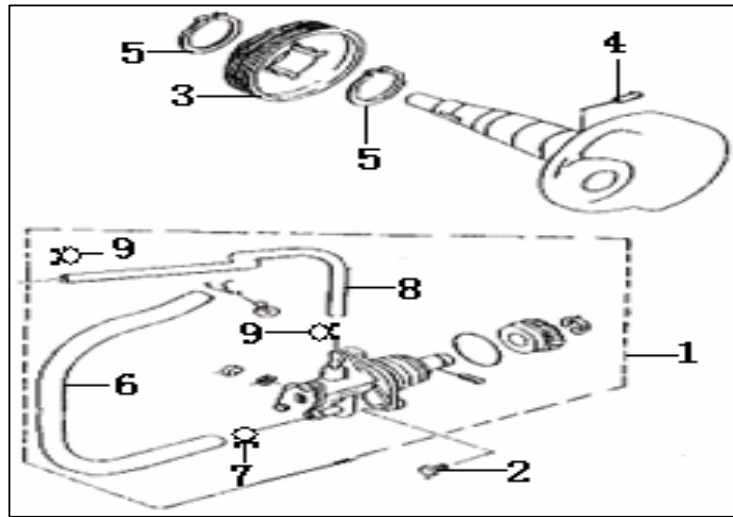
3 SIDECOVER ASSY

NO	CODE	DESCRIPTION	QTY
1	207208.017000	GASKET,L CRANKCASE	1
2	169021070010	L CRANKCASE COVER	1
3	26128G02F000	IDLE GEAR	1
4	26208J01F000	DOWEL PIN	2
5	301310602565	PAN HEAD SCREW M6X25	8
6	301310603565	PAN HEAD SCREW M6X35	1
7	301310606565	PAN HEAD SCREW M6X65	1
8	302460601265	PAN HEAD SCREW	2



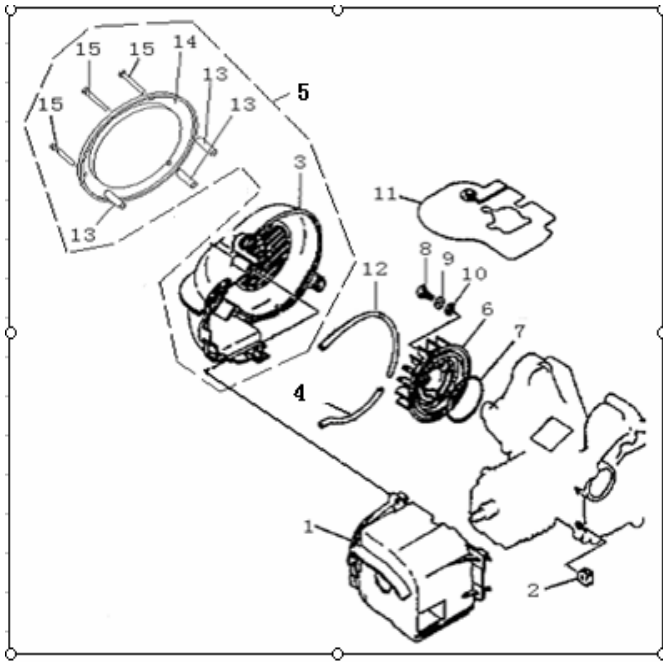
4 PISTON CRANKSHAFT CONNECTING ROD ASSY

NO	CODE	DESCRIPTION	QTY
1	208100.023000	CRANKSHAFT, ASSY	1
2	15100B01F00B	PISTON ASSY	1
3	15105B16F000	PISTON PIN	1
4	15103B01F000	PISTON RING ASSY	2
5	15111G02F000	CIRCLIP	2
6	15110B16F000	NEEDLE BEARING	1
7	15101B01F000	WOODRUFF KEY	1
8	B12016620453	BALL BEARING	2
9	15213G02F000	OIL SEAL	1
10	26215G02F000	OIL SEAL ASSY	1
11	15214G02F000	COLLAR	1
12	17308G02F000	CIRCLIP	1



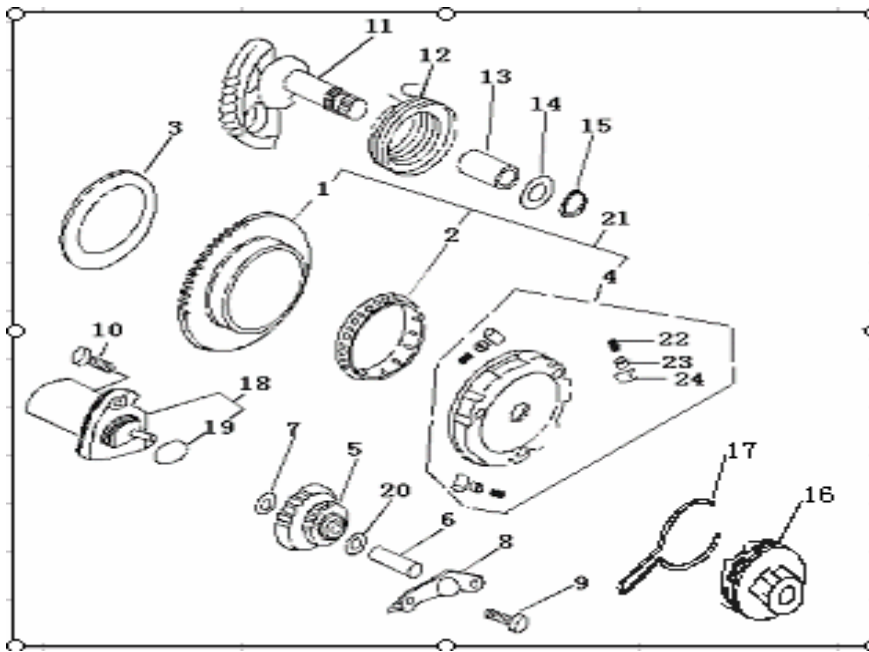
5 OIL PUMP ASSY

NO	CODE	DESCRIPTION	QTY
1	219101.008000	OIL PUMP ASSY	1
2	B02000501463	SCREW	2
3	15211G02F000	PUMP DRIVE GEAR	1
4	B090103014C0	PIN	1
5	15106G02F910	CIRCLIP	2
6	221405.100000	HOSE,OIL INLET	1
7	19213G02F00A	HOSE CLIP	2
8	221405.107000	HOSE,OIL OUTLET	1
9	19217G02F00A	HOSE CLIP	2



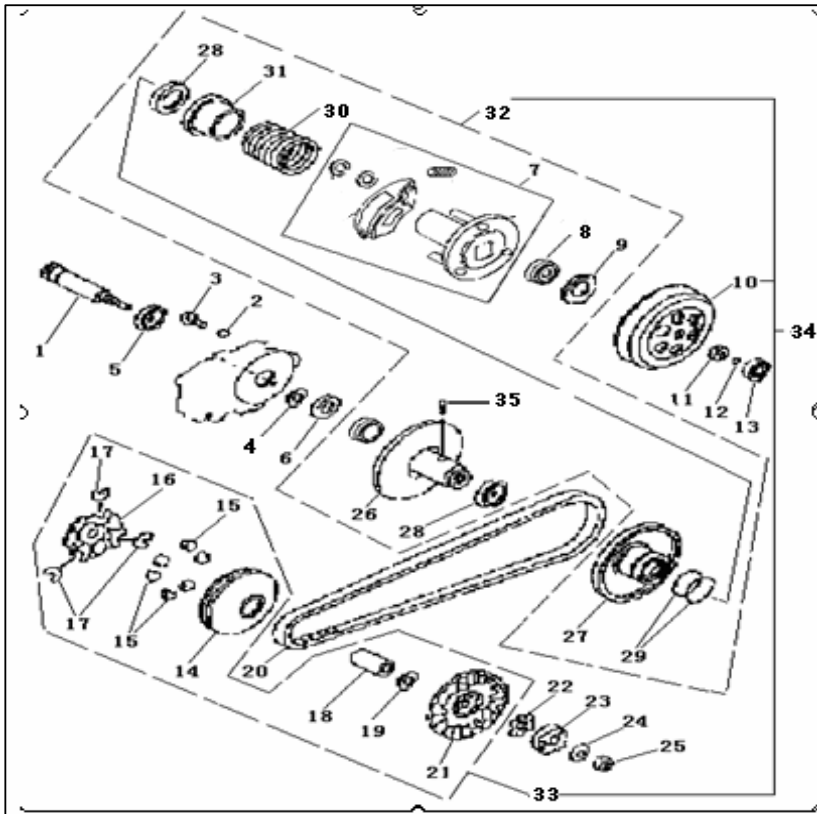
6 AIR COOLING SYSTEM

NO	CODE	DESCRIPTION	QTY
1	20301B01F000	COWLING,cylinder	1
2	20303G02F000	GROMMET	2
3	20201B09F000	COELING,fan	1
4	20208G02F000	BEADING (RUBBER)	1
5	222103.009000	COVER ASSY (FAN)	1
6	20401B01F000	FAN ASSY	1
7	20402G02F000	RUBBER RING 70X3.1	1
8	B02000601663	SCREW M6X16	3
9	B07000000600	SPRING WASHER ϕ 6	3
10	B07030000600	WASHER ϕ 6	3
11	20102G02F000	DUST COVER (RUBBER)	1
12	20206G02F000	BEADING (RUBBER)	1
13	20208B09F000	COLLOR	3
14	222304.102000	COVER	1
15	B02000403524	SCREW M4X35	3



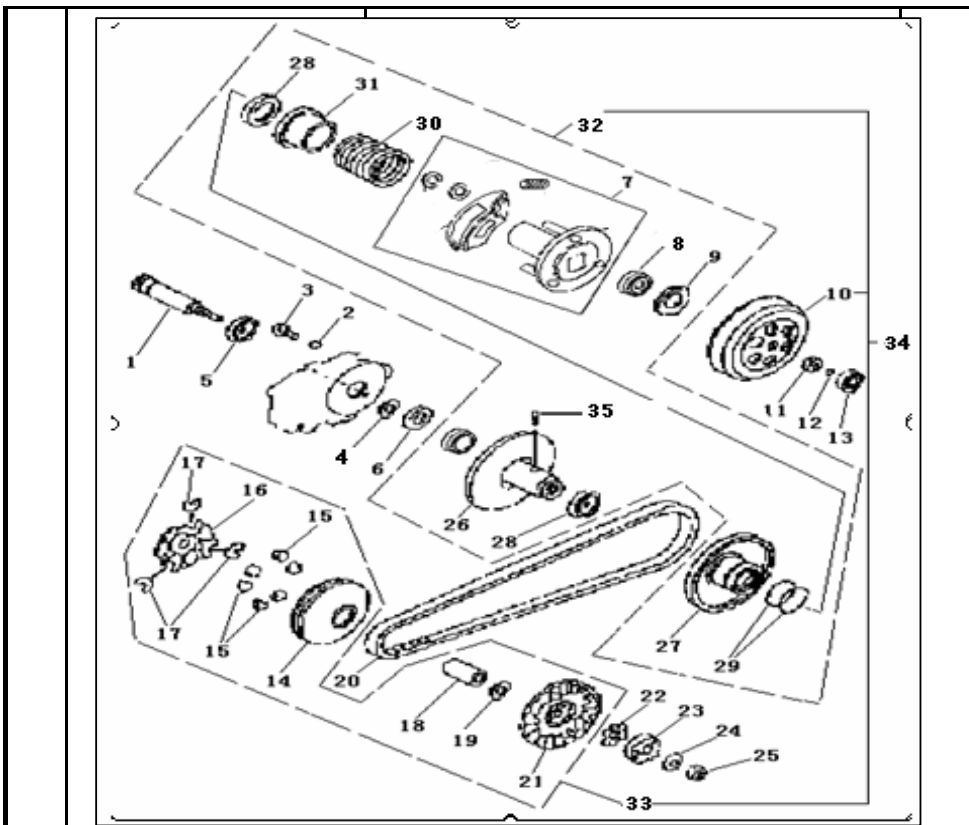
7 KICK STARTER ASSY

NO	CODE	DESCRIPTION	QTY
1	34120G02F000	START GEAR ASSY	1
2	34121G02F000	NEEDLE BEARING	1
3	34123G02F000	THRUST WASHER	1
4	34110G02F00A	STARTER CLUTCH ASSY.COMP	1
5	34126G02F000	DRIVEN GEAR,STARTER	1
6	26128G02F000	IDLE GEAR SHAFT	1
7	34122G02F000	PLATE WASHER	1
8	34125G02F000	IDLE GEAR HOLDER	1
9	301310601062	SCREW	2
10	302040602065	SCREW	2
11	216100.004000	SHAFT, kick starter	1
12	17407G02F000	SPRING	1
13	216217.001000	BUSH	1
14	307991005552	WASHER ,kick starter	1
15	308090150003	CIRCLIP	1
16	17415G02F000	KICK PINION ASSY	1
17	17418G02F930	CLIP	1
18	218100.017472	STARTING MOTOR ASSY	1
19	B190102120B0	O-RING	1
20	34130G02F000	PLATE WASHER	1
21	217100.100000	START CLUTCH ASSY, COMP.	1
22	34404G02F00A	SPRING	3
23	34405G02F00A	CAP	3
24	34402G02F00A	ROLLER	3



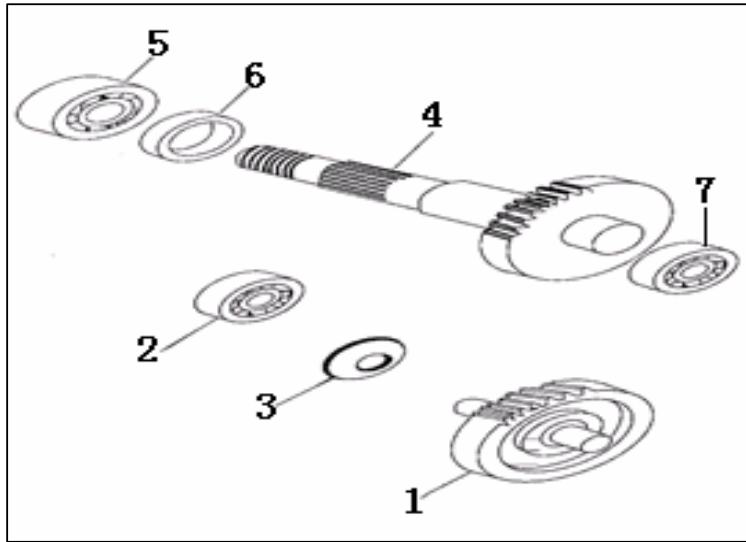
8 CLUTCH ASSY

NO	CODE	DESCRIPTION	QTY
1	24201B09F000	PRIMARY DRIVE SHAFT	1
2	18114G02F000	PLATE WASHER	1
3	B01090801263	PAN HEAD SCREW	1
4	B08010001700	CIRCLIP	1
5	B12016620300	BEARING 6203	1
6	24203B09F000	OIL SEAL	1
7	24301B01F000	CLUTCH ASSY,shoe	1
8	24245G02F000	ROLLER BEARING	1
9	24303G02F000	NUT	1
10	24700G02F000	CLUTCH DRUM	1
11	24305G02F940	NUT	1
12	24243G02F000	O-RING	1
13	24209G02F000	BEARING 638Z	1
14	24101G02F000	FACE,movable drive	1
15	213119.004000	ROLLER	6
16	24103G02F000	PLATE,movable drive	1



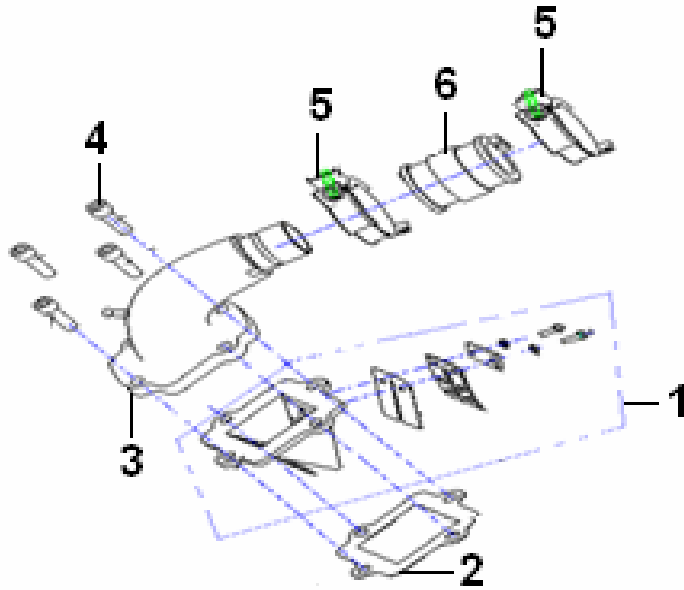
7 KICK STARTER ASSY

NO	CODE	DESCRIPTION	QTY
17	24104G02F000	DAMPER	3
18	24105G02F000	COLLER	1
19	24106B01F000	WASHER	1
20	24107B01F000	V BELT, DRIVE	1
21	24108G02F000	FACE, FIXED DRIVE	1
22	24109G02F000	PLATE, WOODRUFF KEY	1
23	213203.001161	STARTING DISC	1
24	15112G02F010	WASHER, SPRING	1
25	B04031212553	NUT	1
26	24204G02F000	FACE, FIXED DRIVEN	1
27	24205G02F000	FACE, MOVABLE DRIVEN	1
28	24206G02F000	OIL SEAL	1
29	24207G02F000	O-RING	2
30	24308B01F000	SPRING	1
31	24309G02F930	SEAT, SPRING	1
32	24200B01F000	DRIVEN PULLY and CLUTCH ASSY	1
33	24100B09F000	DRIVE ASSY	1
34	213100.009000	SHIFT ASSY	1
35	24208G02F000	PIN, GUIDE	2



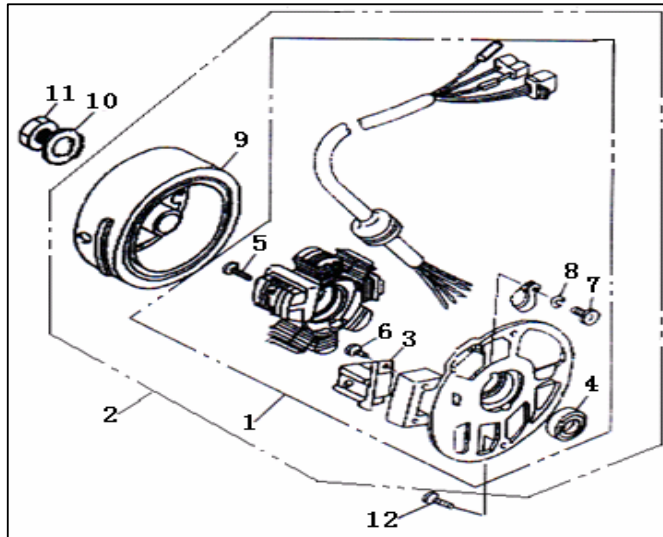
9 TRANSMISSION SYSTEM ASSY

NO	CODE	DESCRIPTION	QTY
1	17800G16F000	SHAFT, IDLE	1
2	B12016620000	BEARING 6200	1
3	17802J01F000	WASHER, PLANE	1
4	17300G16F000	DRIVEN SHAFT(GEAR BOX)	1
5	B12016600400	NEEDLE BEARING	1
6	17317B09F000	OIL SEAL	1
7	B12016620200	NEEDLE BEARING	1



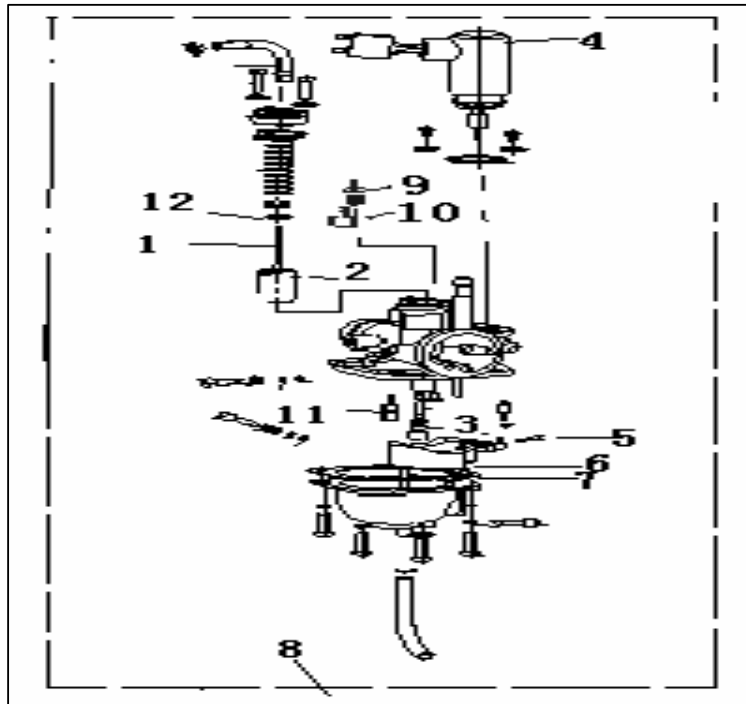
10 REED VALVE ASSY

NO	CODE	DESCRIPTION	QTY
1	32300A02F000	REED VALVE ASSY	1
2	202306.002000	VALVE SEAT GASKET	1
3	32200B01F000	PIPE,INTAKE	1
4	302040602065	SCREWM6X20	4
5	32202G01F000	CLAMP HOSE ASSY	2
6	32237G01F000	RUBBER PIPE	1



11 MAGNETO ASSY

NO	CODE	DESCRIPTION	QTY
1	34310G02F000	COIL ASSY	1
2	223100.100000	MAGNETO ASSY	1
3	34330G02F000	PULSE TRIGGER	1
4	34350G02F000	OIL SEAT	1
5	B02000502522	SCREW	2
6	B02000501262	SCREW	2
7	B02000400622	SCREW	1
8	B07000000400	SPRING WASHER	1
9	223101.019000	FLY WHEEL ASSY	1
10	B07030001200	WASHER	1
11	15228H03F000	NUT	1
12	B01070601664	NUT	2



12 CARBURETOR ASSY

NO	CODE	DESCRIPTION	QTY
1	32510B01F000	NEEDLE, jet	1
2	32511B01F000	VALVE, PISTON	1
3	224202.100000	JET, main	1
4	32612B01F000	ENRICH VALVE	1
5	32619B01F000	PIN, float	1
6	32620B01F000	FLOAT	1
7	32701B01F000	GASKET	1
8	224100.103000	CARBURETOR ASSY	1
9	32801B09F000	L WASHER	1
10	224203.100000	JET, idle	1
11	32508B01F000	CLIPMM, V shape	1