

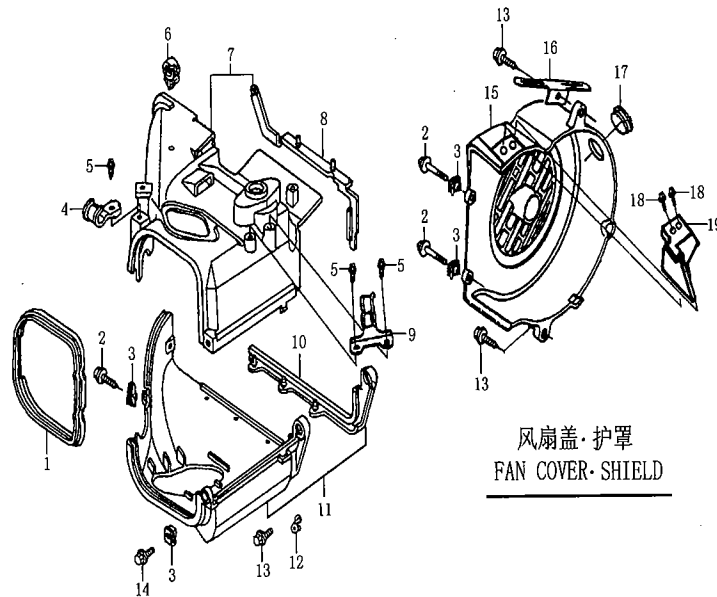
ZONGSHEN MOTORCYCLE

**ZS150T-3**

**MOTORCYCLE  
COMPONENTS  
CATALOG**

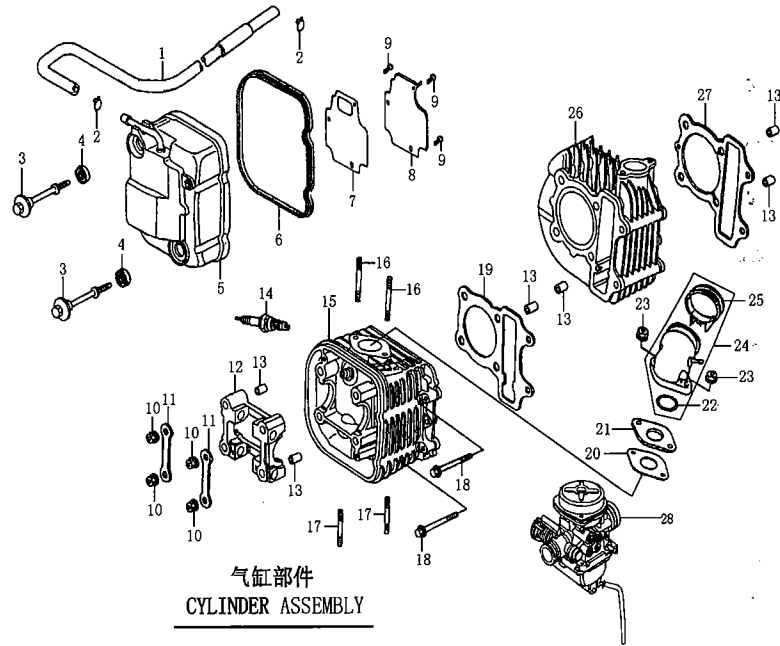
**摩托车零部件图册**

## 风扇盖·护罩 FAN COVER, SHIELD



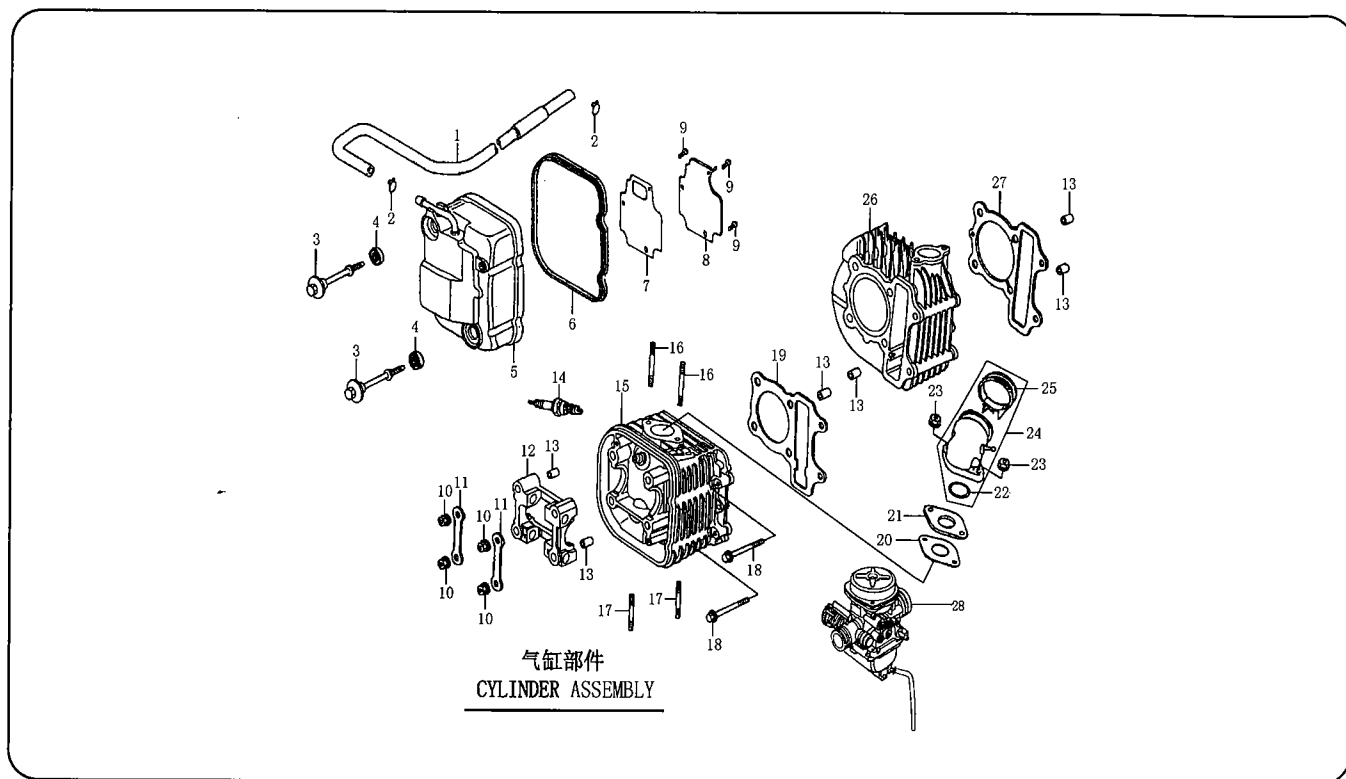
序号 RefNo	编号 Part No	中文名称 Chinese Description	英文名称 English Description	数量 Qty
1	90212-I047-0000	护罩密封胶垫	SEALING CUSHION, SHIELD	1
2	B166740A0600187	小盘螺栓 M6×18	BOLT M6×18	3
3	71119-I015-0000	锁紧螺母 II	LOCK NUT II	4
4	12101-I015-0000	通气管线夹	CIRCLIP, BREATHER TUBE	1
5	B00845000550160	自攻螺钉 ST5.5×16	SCREW ST6×16	3
6		高压线固定夹	CLIP, HIGH VOLTAGE WIRE	1
7	1923B-I047-0000	风扇上护罩组合	ASSEMBLY, UPPER COVER, FAN	1
8	90212-I047-0001	上护罩密封胶垫	SEALING CUSHION, UPPER COVER	1
9	12101-I047-0000	通气管线夹	CIRCLIP, BREATHER TUBE	1
10	90212-I047-0002	下护罩密封胶垫	SEALING CUSHION, LOWER COVER	1
11	1922B-I047-0000	风扇下护罩组合	ASSEMBLY, LOWER COVER, FAN	1
12	12114-I015-0000	溢油管夹	CLIP, SPILLING PIPE	1
13	B166740A0600257	小盘螺栓 M6×25	BOLT M6×25	3
14	B166740A0600167	小盘螺栓 M6×16	BOLT M6×16	1
15	1911B-I047-0000	冷却风扇盖组件	COVER ASSEMBLY, COOLING FAN	1
16	82203-I015-0000	启动电机导线夹	LEAD CLIP, STARTING MOTOR	1
17	19111-I047-0000	冷却风扇盖橡胶塞	RUBBER PLUG, COOLING FAN COVER	1
18	B09456000480120	自攻螺钉 ST4.8×12	SCREW ST4.8×12	2
19	19101-I047-0000	冷却风扇挡板	STOP PLATE, COOLING FAN	1

## 气缸部件 CYLINDER ASSEMBLY



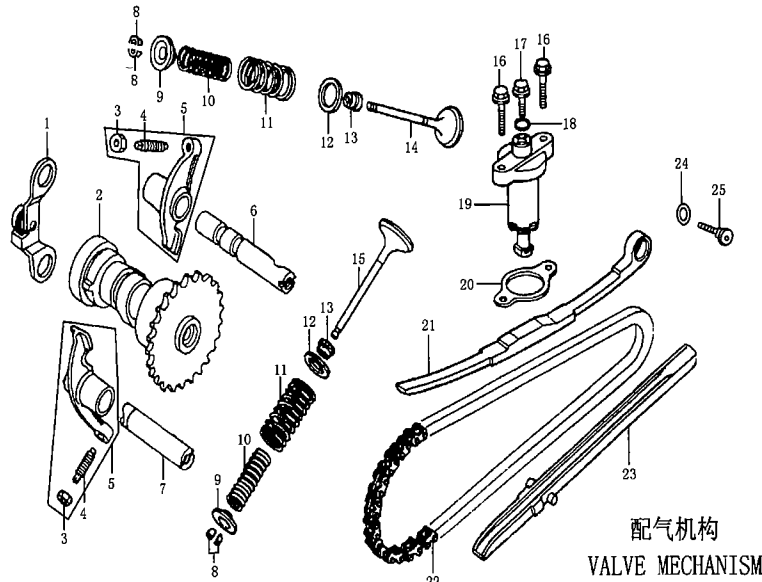
数量 Qty	序号 RefNo	编号 Part No	中文名称 Chinese Description	英文名称 English Description	数量 Qty
1	1	12104-I047-0000	通气管	BREATHER TUBE	1
3	2	91405-I015-0000	通气管卡簧 $\phi 8.5$	CLIP, BREATHER TUBE $\phi 8.5$	2
4	3	91119-I047-0000	缸头盖固定螺钉	SCREW	2
1	4	90250-I047-0000	螺钉胶垫 22×12	GASKET 22×12	2
3	5	11226-I047-0000	气缸头上盖	UPPER COVER, CYLINDER HEAD	1
1	6	90103-I047-0000	气缸头上盖密封圈	GASKET, CYLINDER HEAD UPPER COVER	1
ER	7	11244-I047-0000	气缸头盖内盖板	INTERIOR COVER PLATE, CYLINDER HEAD COVER	1
1	8	90215-I047-0000	气缸头盖挡油板密封垫片	GASKET	1
VER	9	B00845000420082	自攻螺钉 ST4.2×8	SCREW ST4.2×8	3
1	10	B06177010800009	螺母 M8	NUT M8	4
3	11	11011-I047-0000	连接板	CONNECT PLATE	2
1	12	15131-I047-0000	凸轮轴上座盖	UPPER FLAP, CAMSHAFT	1
N	13	91521-10001600000	定位销 10×16	DOWEL PIN 10×16	6
1	14	81300-G011-0000	火花塞 (A7TC)	SPARK PLUG (A7TC)	1
FAN	15	1122B-I047-0000	气缸头组合	CYLINDER HEAD ASSEMBLY	1
1	16	91127-I015-0000	进气管双头螺栓 M6×60	STUD M6×60	2
2	17	91138-I047-0000	缸头排气口双头螺栓 M8×32	STUD M8×32	2
1					1

## 气缸部件 CYLINDER ASSEMBLY



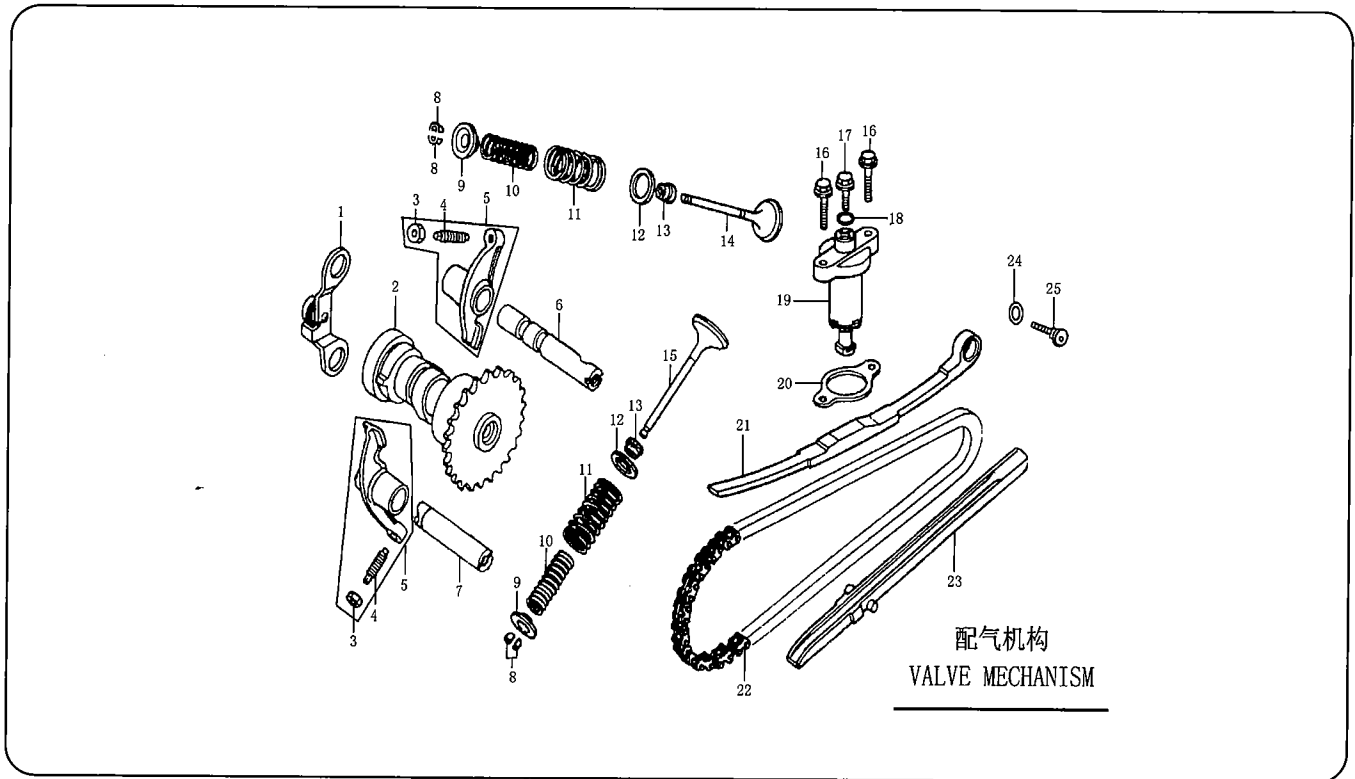
序号 RefNo	编号 Part No	中文名称 Chinese Description	英文名称 English Description	数量 Qty
18	B166740A0601007	小盘螺栓 M6×100	BOLT M6×100	2
19	9022B-J026-0000	气缸头密封垫组合	GASKET ASSEMBLY, CYLINDER HEAD	1
20	90214-I015-0000	化油器隔热垫	GASKET, HEAT INSULATING, CARBURETOR	1
21	15810-I015-0000	化油器隔热板	ADIABATIC PLATE, CARBURETOR	1
22	90101-20270002000	O形密封圈 27×2.0	O-RING 27×2.0	1
23	B06177010600009	螺母 M6	NUT M6	2
24	15800-I015-0063	进气管部件 (JQ-63)	ASSEMBLY, INLET PIPE (JQ-63)	1
25	1583B-I015-0000	进气管卡箍组件	CLIP ASSEMBLY, INLET PIPE	1
26	1110B-J026-0000	气缸体部件	ASSEMBLY, CYLINDER BLOCK	1
27	90205-J026-0000	气缸体密封垫	GASKET, CYLINDER BLOCK	1
28	17100-J204-0000	化油器	CARBURETOR	1

## 配气机构 VALVE MECHANISM



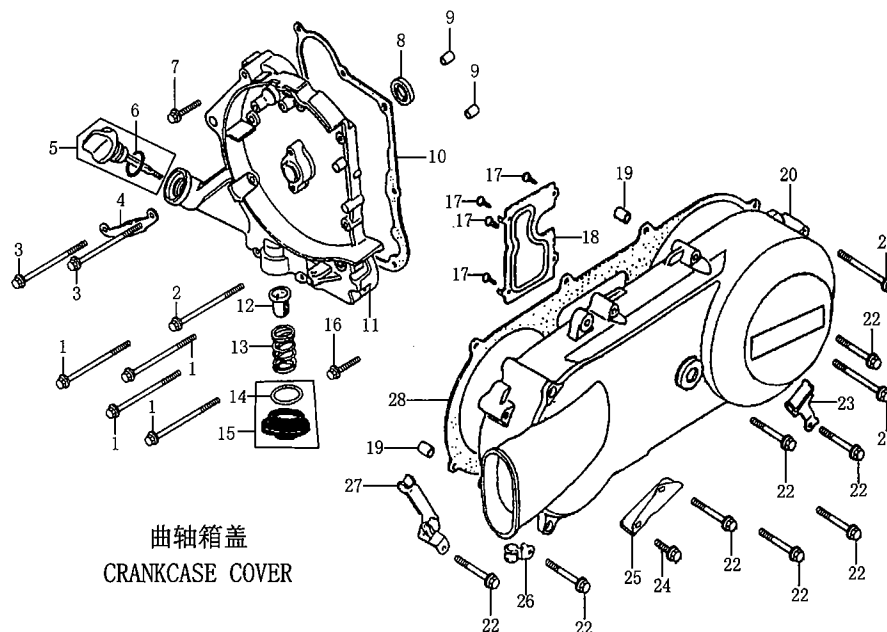
序号 RefNo	编号 Part No	中文名称 Chinese Description	英文名称 English Description	数量 Qty
2	11203-I015-0000	减压阀限位板	LIMIT PLATE, REDUCTING VALVE	1
1	15100-I047-0000	凸轮轴部件	CAMSHAFT PARTS	1
1	15403-D002-0000	气门间隙调节螺母	ADJUSTING NUT, VALVE CLEARANCE	2
1	15404-D002-0000	气门间隙调节螺钉	ADJUSTING SCREW, VALVE CLEARANCE	2
1	1540A-I047-0000	气门摇臂组合	ASSEMBLY, VALVE ROCKER ARM	2
2	15402-I015-1000	气门摇臂轴 (进气)	SHAFT, VALVE ROCKER ARM (INLET)	1
1	15402-I015-2000	气门摇臂轴 (排气)	SHAFT, VALVE ROCKER ARM (EXHAUST)	1
1	15707-D002-0000	气门锁夹	VALVE COTTER	4
1	15705-D002-0000	气门弹簧座 (上)	RETAINER, VALVE SPRING	2
	15704-I047-0000	气门内弹簧	VALVE INNER SPRING	2
	15703-I047-0000	气门外弹簧	VALVE OUTER SPRING	2
	15706-D002-0000	气门外弹簧座圈 (下)	SEAT, VALVE OUTER SPRING	2
	1572B-D002-0000	挡油罩组合	ASSEMBLY, VALVE STEM SEAL	2
	15701-I047-0000	进气门	INLET VALVE	1
	15702-I047-0000	排气门	EXHAUST VALVE	1
	B166740A0600257	小盘螺栓 M6×25	BOLT M6×25	2

## 配气机构 VALVE MECHANISM



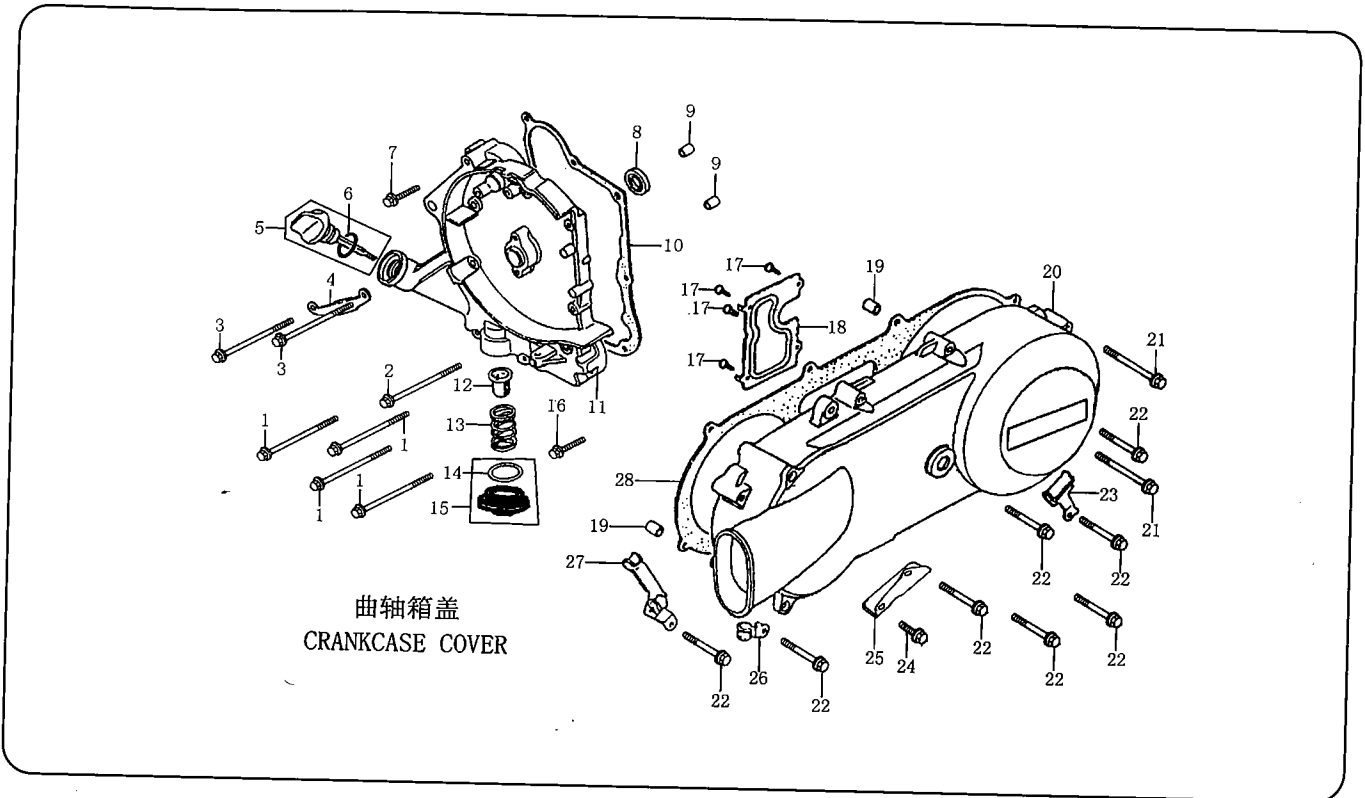
序号 RefNo	编号 Part No	中文名称 Chinese Description	英文名称 English Description	数量 Qty
17	B166740A0600127	小盘螺栓 M6×12	BOLT M6×12	1
18	93301-80621012000	张紧器铜垫 6.2×1×12	WASHER 6.2×1×12 (COPPER)	1
19	1554B-I047-0000	张紧器组合	TENSIONER ASSEMBLY	1
20	90211-I047-0000	张紧器密封垫	GASKET, TENSIONER	1
21	1552A-I015-0000	链条张紧板组合	PLATE ASSEMBLY, TENSION	1
22	1532B-I047-0000	正时链条组合 (94 节)	ASSEMBLY, TIMING CHAIN (94)	1
23	1553A-I015-0000	链条导向板组合	GUIDE PLATE ASSEMBLY	1
24	90101-10152000150	O 形密封圈 15.2×1.5	O-RING 15.2×1.5	1
25	15507-I015-0000	固定链条拉力杆螺栓	BOLT ,FIXING CHAIN	1

## 曲轴箱盖 (长箱盖) CRANKCASE COVER

数量  
Qty

序号 RefNo	编号 Part No	中文名称 Chinese Description	英文名称 English Description	数量 Qty
1	B166740A0600957	小盘螺栓 M6×95	BOLT M6×95	4
1	B166740A0601007	小盘螺栓 M6×100	BOLT M6×100	1
1	B166740A0601107	小盘螺栓 M6×110	BOLT M6×110	2
1	12401-I015-0000	A.C.G 压线夹	CLIP, A.C.G WIRE	1
1	14301-I015-0200	机油尺组合(PA66)	DIPSTICK	1
1	90101-10180000300	O 形密封圈 18×3	O-RING 18×3	1
1	B166740A0600357	小盘螺栓 M6×35	BOLT M6×35	1
1	90302-I015-0001	右曲轴油封 19.8×30×7	OIL SEAL, RIGHT CRANKSHAFT 19.8×30×7	1
1	91521-08001400000	定位销 8×14	DOWEL PIN 8×14	2
10	90206-I015-0000	右曲轴箱盖密封垫	GASKET, RIGHT CRANKCASE COVER	1
11	12421-I015-0000	右曲轴箱盖组合	ASSEMBLY, RIGHT CRANKCASE COVER	1
12	1431B-I006-0000	CB125 脚机油过滤网组合	ASSEMBLY, OIL FILTER SCREEN	1
13	14221-I015-0000	机油过滤网弹簧	SPRING, OIL FILTER SCREEN	1
14	90101-20296000320	70 气门盖 O 形密封圈 29.6×3.2(氟硅胶)	O-RING 29.6×3.2	1
15	11229-D002-0000	气门室盖组合	ASSEMBLY, TAPPET ADJUSTING HOLE CAP	1

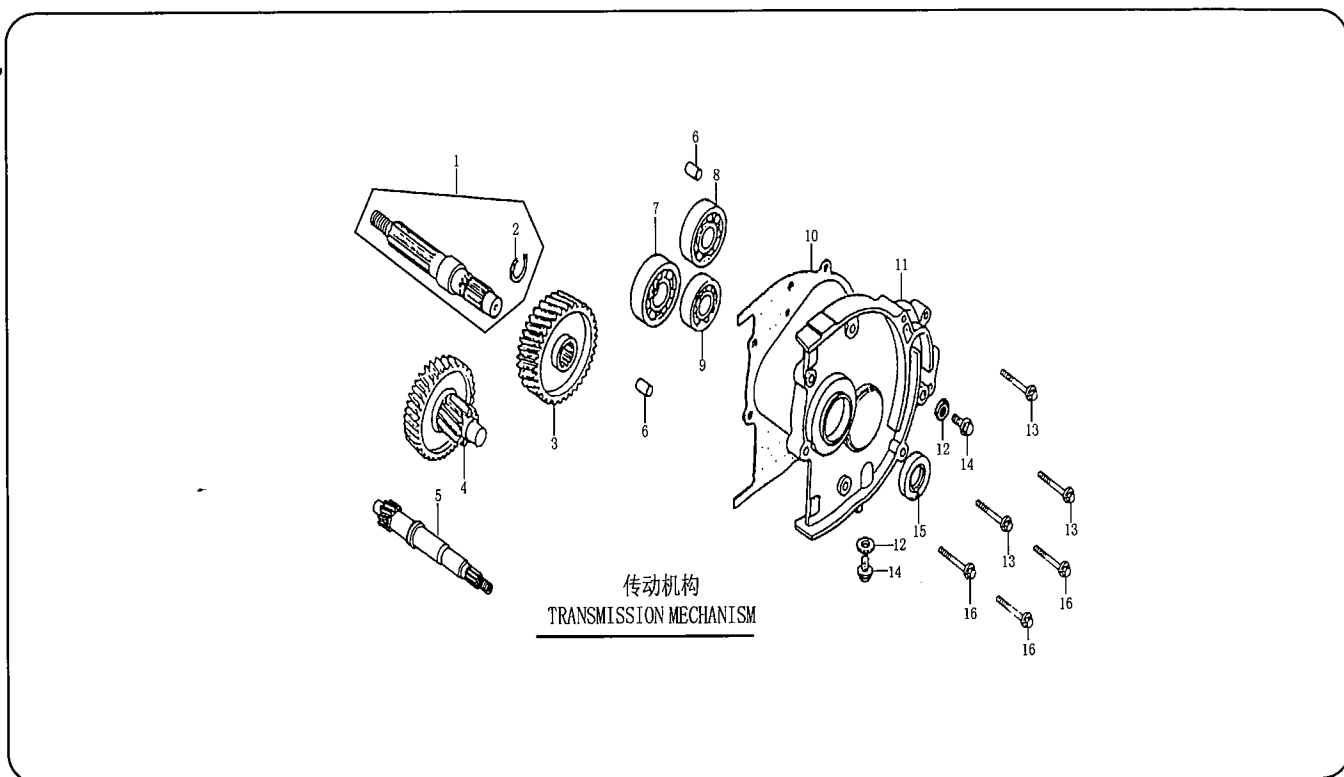
## 曲轴箱盖 (长箱盖) CRANKCASE COVER



序号 RefNo	编号 Part No	中文名称 Chinese Description	英文名称 English Description	数量 Qty
16	B166740A0600327	小盘螺栓 M6×32	BOLT M6×32	1
17	B00845000420080	自攻螺钉 ST4.2×8	SCREW ST4.2×8	4
18	12311-I015-0000	通气导板	GUIDE PLATE, AEARTE	1
19	91521-08001400000	定位销 8×14	DOWEL PIN 8×14	2
20	12301-J026-1000	左曲轴箱盖	COVER, LEFT CRANKCASE	1
21	B166740A0600657	小盘螺栓 M6×65	BOLT M6×65	2
22	B166740A0600407	小盘螺栓 M6×40	BOLT M6×40	8
23	10006-I015-0000	刹车导线夹	CLAMP, BRAKE WIRE	1
24	B166740A0600147	小盘螺栓 M6×14	BOLT M6×14	1
25	21130-I015-0000	主支架制止板	STOP PLATE, MAIN STAND	1
26	12108-I015-0000	溢流管夹	CLIP, OVERFLOW PIPE	1
27	10007-I015-0000	节流导线夹	CLAMP, WIRE	1
28	90204-I047-0000	左曲轴箱盖密封垫	GASKET, LEFT CRANKCASE COVER	1



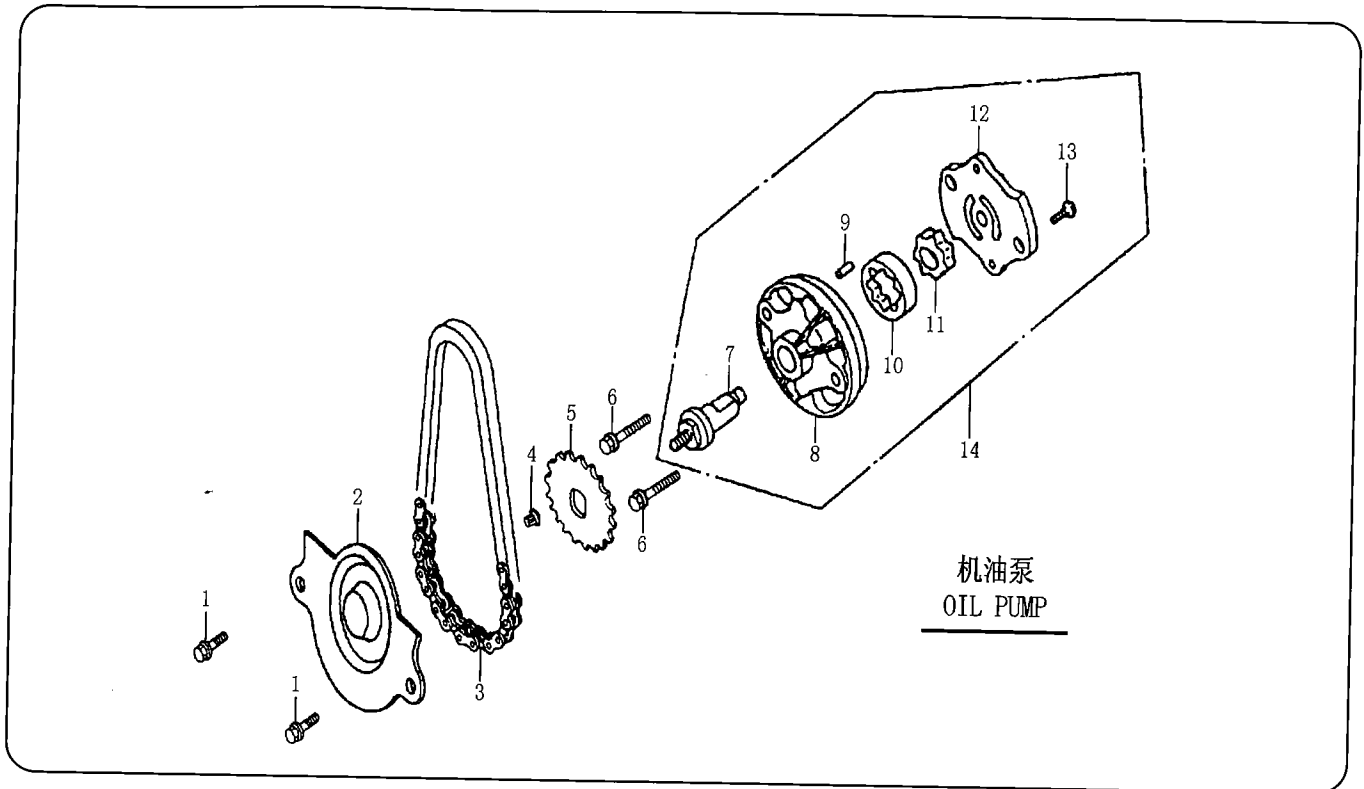
## 传动机构 TRANSMISSION MECHANISM



数量 Qty
1
4
1
2
1
2
8
1
1
1
1
1
1
1
1
1
1
1
1
1
1
1

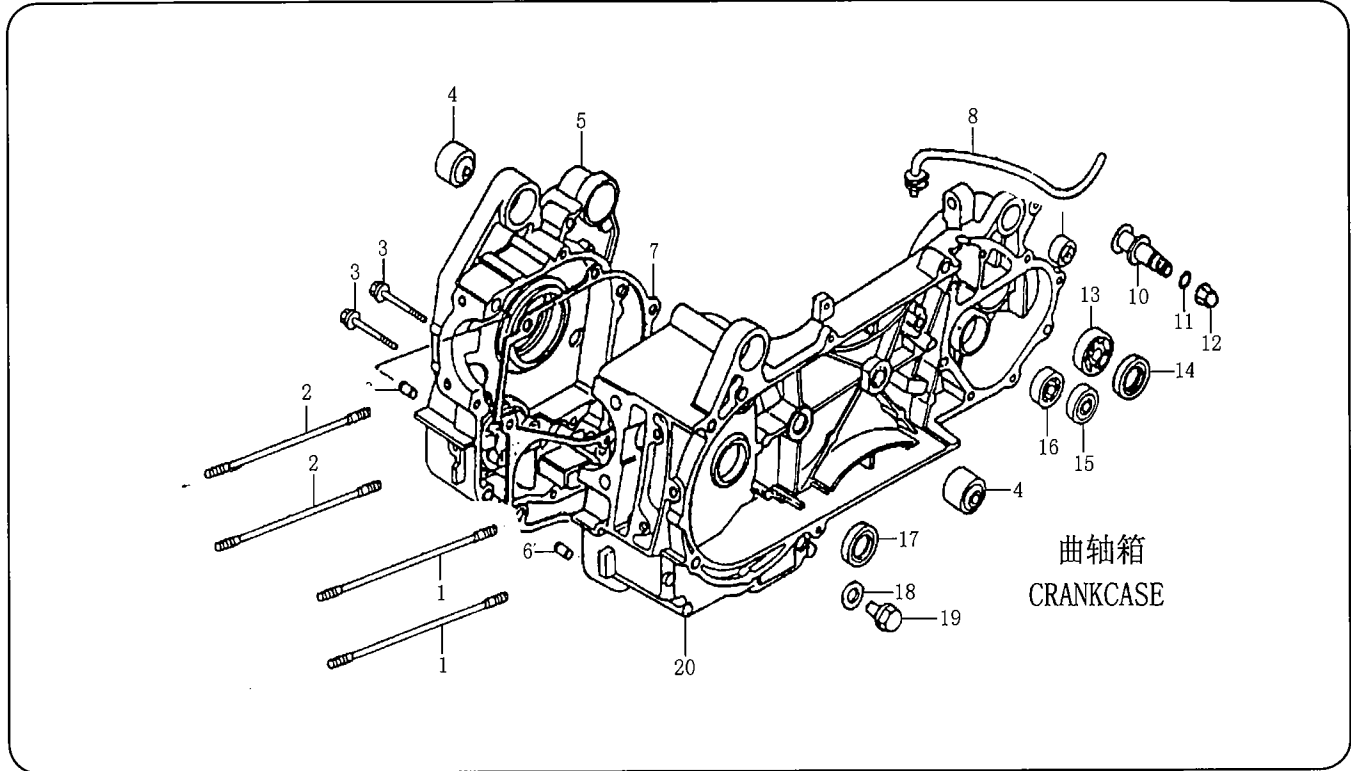
序号 RefNo	编号 Part No	中文名称 Chinese Description	英文名称 English Description	数量 Qty
1	23231-I047-0002	最终轴组合	ASSEMBLY, FINALLY SHAFT	1
2	B0089401200000000	挡圈 20	CIRCLIP 20	1
3	23232-I047-0000	最终齿轮组件 (40 齿)	ASSEMBLY, FINALLY GEAR (40)	1
4	2352B-I047-0000	中间轴组合	ASSEMBLY, MIDDLE SHAFT	1
5	23220-I047-0000	主轴组合 (15 齿)	MAINSHAFT ASSEMBLY (15)	1
6	91521-08001400000	定位销 8×14	DOWEL PIN 8×14	2
7	92102-00000006204	轴承 (6204)	BEARING (6204)	1
8	92102-00000006203	轴承 (6203)	BEARING (6203)	1
9	92102-00000006202	轴承 (6202)	BEARING (6202)	1
10	90216-I015-0000	变速箱密封垫	GASKET, GEARSHIFT CASE	1
11	12422-I015-0000	变速箱盖	COVER, GEARSHIFT CASE	1
12	93301-70821816000	油孔铝垫圈 8.2×1.8×16	WASHER 8.2×1.8×16 (ALUMINIUM)	2
13	B166740A0600357	小盘螺栓 M6×35	BOLT M6×35	3
14	B166740A0800127	小盘螺栓 M8×12	BOLT M8×12	2
15	90310-I015-0000	驱动主轴油封 20×32×6	OIL SEAL 20×32×6	1
16	B166740A0600287	小盘螺栓 M6×28	BOLT M6×28	3

## 机油泵 OIL PUMP



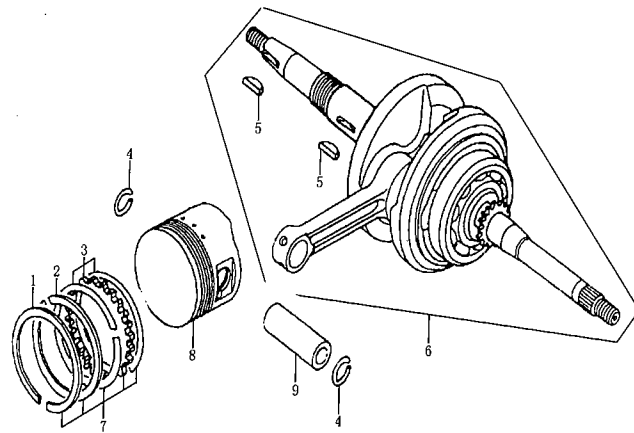
序号 RefNo	编号 Part No	中文名称 Chinese Description	英文名称 English Description	数量 Qty
1	B166740A0600127	小盘螺栓 M6×12	BOLT M6×12	2
2	12002-I015-0000	机油隔板	BAFFLE PLATE, LUBRICATING OIL	1
3	14103-I015-0000	机油泵链条 (44 节)	CHAIN, OIL PUMP (44)	1
4	B06177010600009	螺母 M6	NUT M6	1
5	1432B-I015-0000	机油泵传动链轮	DRIVEN SPROCKET, OIL PUMP	1
6	B166740A0600257	小盘螺栓 M6×25	BLOT M6×25	2
7	14107-I015-0000	油泵轴	SHAFT, OIL PUMP	1
8	14110-I015-0000	机油泵壳体	CASE, OIL PUMP	1
9	91522-04000600000	定位销 4×6.0	DOWEL PIN 4×6.5	1
10	14112-I015-0000	机油泵外转子	OUTER ROTOR, OIL PUMP	1
11	14111-I015-0000	机油泵内转子	INNER ROTOR, OIL PUMP	1
12	14108-I015-0000	机油泵盖板	COVER, OIL PUMP	1
13	B00818000300082	螺钉 M3×10	SCREW M3×10	1
14	14100-I015-0000	机油泵部件	OIL PUMP	1

## 曲轴箱 CRANKCASE



数量 Qty	序号 RefNo	编号 Part No	中文名称 Chinese Description	英文名称 English Description	数量 Qty
	1	91101-I047-0000	气缸双头螺栓 A M8×209	STUD A M8×209	2
	2	91102-I047-0000	气缸双头螺栓 B M8×201	STUD B M8×201	2
	3	B166740A0600507	小盘螺栓 M6×50	BOLT M6×50	2
	4	1215B-I015-0000	发动机吊架橡胶衬套组件	RUBBER BUSH ASSEMBLY, ENGINE HANG BRACKET	2
	5	1222B-I015-0000	右曲轴箱组合	ASSEMBLY, RIGHT CRANKCASE	1
	6	91521-08001400000	定位销 8×14	DOWEL PIN 8×14	2
	7	90208-I015-0000	曲轴箱密封垫	GASKET, CRANKCASE	1
	8	12105-I015-0000	通气管	BREATHER TUBE	1
	9	12140-I015-0000	后缓冲器下端衬套组件	ASSEMBLY, REAR BUMPER LOWER END	1
	10	92102-0006004-2RS	轴承 (6004-2RS)	BEARING (6004-2RS)	1
	11	90311-I015-0000	最终轴油封 27×42×7	OIL SEAL, FINALLY SHAFT 27×42×7	1
	12	92102-00000006301	轴承 (6301)	BEARING (6301)	1
	13	92102-00000006002	轴承 (6002)	BEARING (6002)	1
	14	90302-I015-0000	左曲轴油封 19.8×30×7	OIL SEAL, LEFT CRANKSHAFT 19.8×30×7	1
	15	93301-71251520000	垫圈 12.5×1.5×20	WASHER 12.5×1.5×20	1
	16	91103-D002-0000	放油螺塞 M12×1.5	OIL DRAIN PLUG M12×1.5	1
	17	1212B-J026-0001	左曲轴箱组合(加长标准款)	ASSEMBLY, LEFT CRANKCASE	1

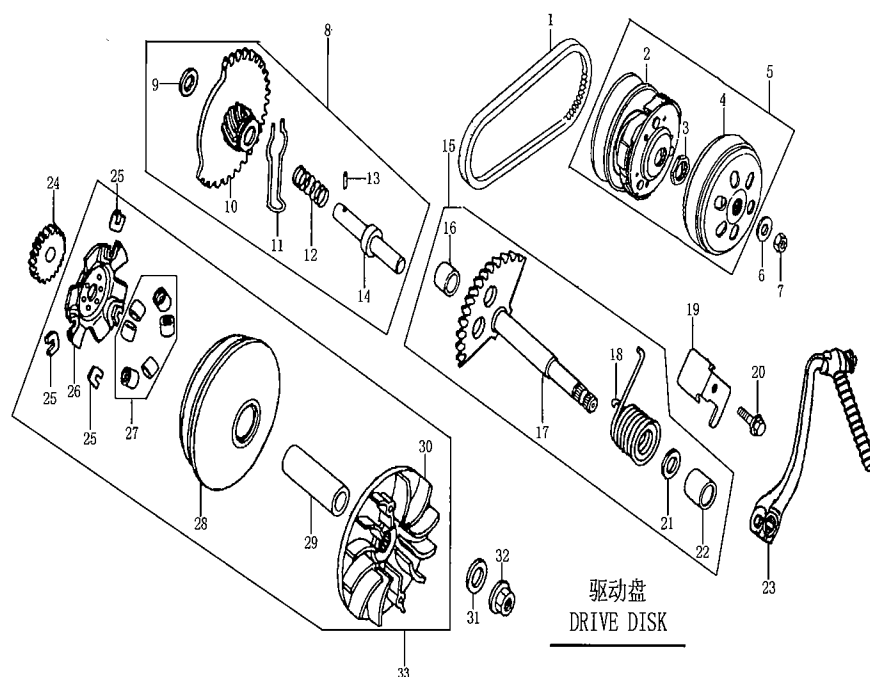
## 曲轴/活塞/连杆部件 CRANKSHAFT/PISTON/CONNECTING ROD COMP



曲轴 / 活塞 / 连杆部件  
CRANKSHAFT/PISTON/CONNECTING ROD COMP

序号 RefNo	编号 Part No	中文名称 Chinese Description	英文名称 English Description	数量 Qty
1	13103-J026-0000	活塞环一	PISTON RING (1ST)	1
2	13104-J026-0000	活塞环二	PISTON RING (2ND)	1
3	13120-J026-0000	油环组合	ASSEMBLY, OIL RING	1
4	91401-I006-0000	活塞销挡圈	CIRCLIP, PISTON PIN	2
5	91601-I015-0000	半圆键 25×14×4	SEMICIRCULAR KEY 25×14×4	2
6	1320B-J026-0000	曲轴连杆部件	ASSEMBLY, CRANK SHAFT CONNECTING ROD	1
7	1310A-J026-0000	活塞环总成	ASSEMBLY, PISTON RING	1
8	13101-J026-0000	活塞	PISTON	1
9	13102-J026-0000	活塞销	PISTON PIN	1

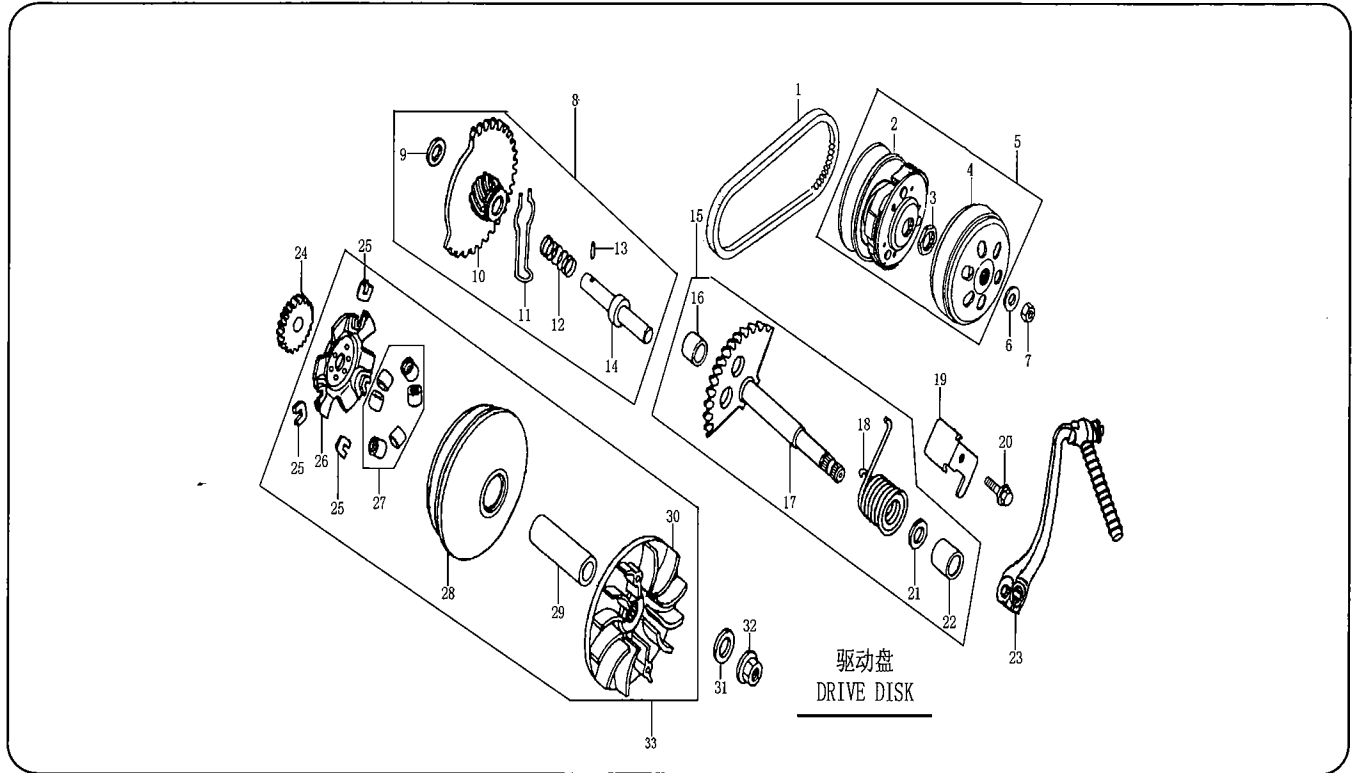
## 驱动盘 DRIVE DISK



数量 Qty
1
1
1
2
2
AFT 1
1
1
1

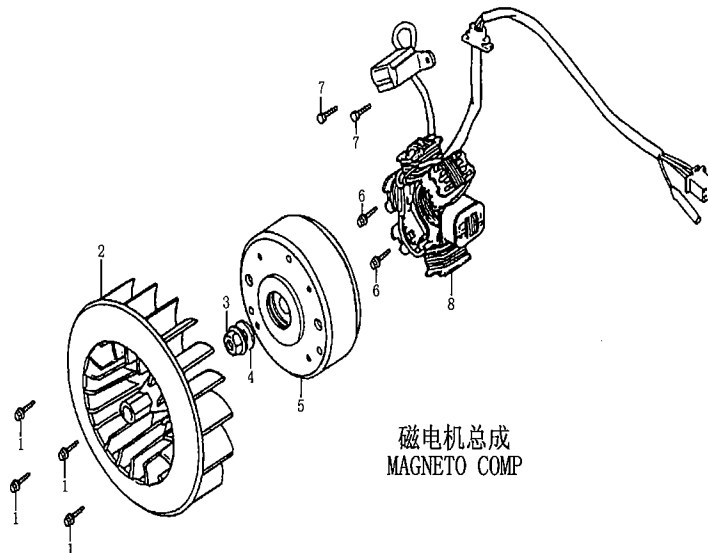
序号 RefNo	编号 Part No	中文名称 Chinese Description	英文名称 English Description	数量 Qty
1	26330-J026-0000	驱动三角皮带组合	ASSEMBLY, DRIVE TRIGONAL BELT	1
2	26210-I015-0000	从动皮带轮组件	ASSEMBLY, DRIVEN BELT WHEEL	1
3	91211-I015-0000	从动轮螺母	NUT, DRIVEN GEAR	1
4	26220-I015-0000	摩擦盘组合	SUBASSEMBLY, FRICTION WHEEL	1
5	26200-I015-0000	从动皮带轮部件	ASSEMBLY, DRIVEN BELT WHEEL	1
6	93301-11222524000	垫圈 12.2×2.5×24	WASHER 12.2×2.5×24	1
7	91208-I015-0000	初级离合器锁紧螺母 M12×1.25	NUT M12×1.25	1
8	21120-I015-0000	启动惰轮组件	IDLE WHEEL, KICK STARTER	1
9	93301-A1251522000	尼龙垫圈 12.5×1.5×22	NYLON WASHER 12.5×1.5×22	1
10	2111B-I015-0000	启动棘轮组合	RATCHET WHEEL ASSEMBLY, KICK STARTER	1
11	21125-I015-0000	启动摩擦弹簧	FRICTION SPRING, KICK STARTER	1
12	21119-I015-0000	启动棘轮弹簧	SPRING, KICK STARTING RATCHET WHEEL	1
13	B0011901030085000	销子 3×8.5	PIN 3×8.5	1
14	21126-I015-0000	启动棘轮轴	RATCHET WHEEL SHAFT, KICK STARTER	1
15	21100-I015-0001	启动轴总成	KICK STARTING SHAFT ASSEMBLY	1

## 驱动盘 DRIVE DISK



序号 RefNo	编号 Part No	中文名称 Chinese Description	英文名称 English Description	数量 Qty
16	21102-I015-0000	启动轴轴套	SLEEVE, KICK STARTING SHAFT	1
17	21101-I015-0000	启动轴部件	KICK STARTING SHAFT PARTS	1
18	21106-I015-0000	启动轴复位弹簧	RETURN SPRING, KICK STARTING SHAFT	1
19	21110-I015-0000	启动回位挡板	SPRING SEAT, KICK STARTER	1
20	B166740A0600127	小盘螺栓 M6×12	BOLT M6×14	1
21	93301-H1421021000	启动轴垫圈 14.2×1.0×21	WASHER 14.2×1.0×21	1
22	21103-I015-0000	反冲启动轴衬套	SLEEVE, KICK STARTING SHAFT	1
23	21200-I047-0027	启动臂部件 (QD-27)	ASSEMBLY, KICK STARTING LEVER (QD-27)	1
24	21109-I015-0000	启动从动齿轮	DRIVEN GEAR KICK STARTER	1
25	26103-I015-0000	缓冲块	CUSHION	3
26	26106-I015-0000	斜坡板	RAMP PLATE	1
27	26131-I015-0000	离心滚子	CENTRIFUGAL ROLLER	6
28	26120-I015-0000	移动摩擦轮组件	MOVING FRICTION WHEEL	1
29	26102-I015-0000	滑套	SLEEVE	1
30	26110-I015-0000	驱动盘	DRIVE PLATE	1
31	93301-11222524000	垫圈 12.2×24×2.5	WASHER 12.2×24×2.5	1
32	91202-I015-0000	离合器锁紧螺母 M12×1.25	NUT M12×1.25	1
33	26100-I015-0000	主动皮带轮部件	ASSEMBLY, DRIVE BELT WHEEL	1

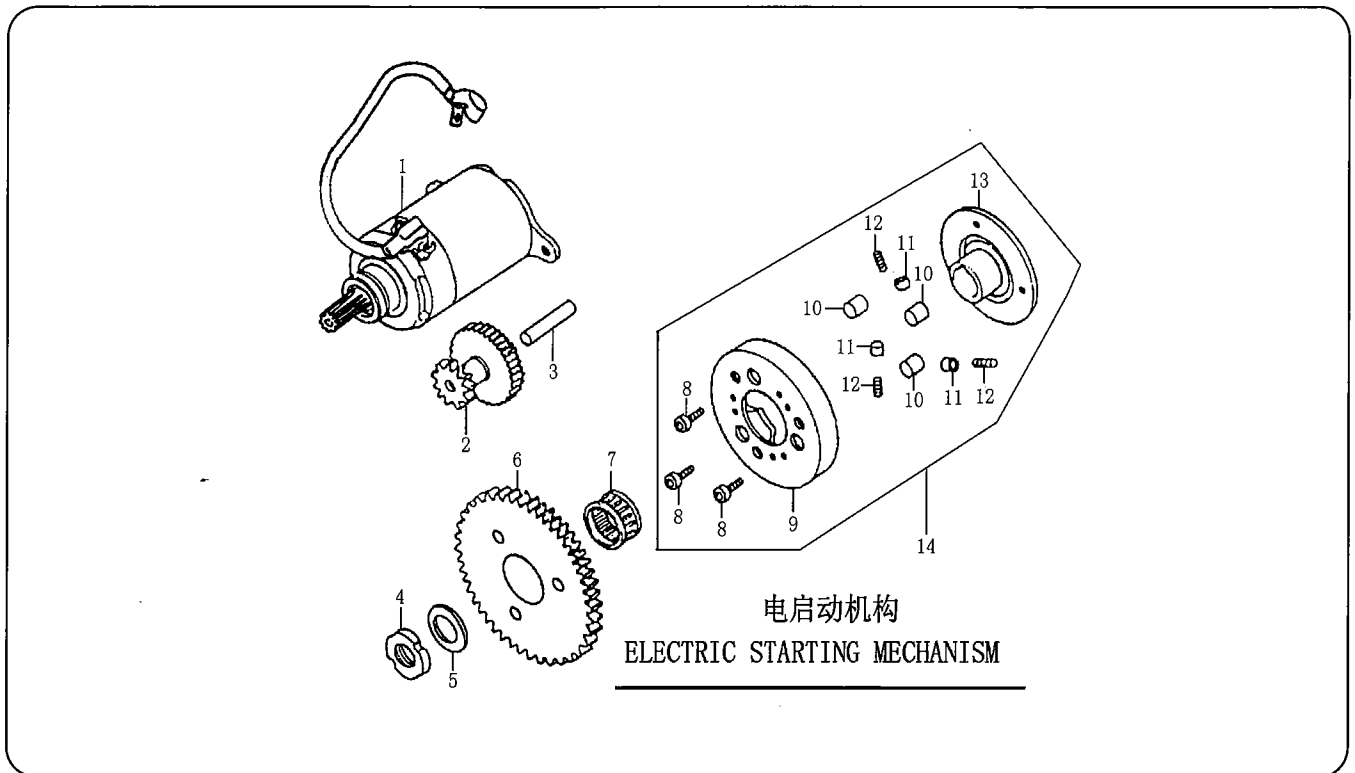
## 磁电机总成 MAGNETO COMP



数量 Qty
1
1
1
1
1
1
1
1
1
1
1
3
1
6
1
1
1
1
1
1
1

序号 RefNo	编号 Part No	中文名称 Chinese Description	英文名称 English Description	数量 Qty
1	B166740A0600187	小盘螺栓 M6×18	BOLT M6×18	4
2	1910B-J026-0000	冷却风扇组件	ASSEMBLY, COOLING FAN	1
3	91202-I015-0000	离合器锁紧螺母 M12×1.25	NUT M12×1.25	1
4	26242-I015-0000	垫片 12.2×24×2.5	WASHER 12.2×24×2.5	1
5	82130-I047-0000	磁电机转子组合	ROTOR ASSEMBLY, MAGNETO	1
6	B166740A0600207	小盘螺栓 M6×20	BOLT M6×20	2
7	B05783000500127	螺栓 M5×12	BOLT M5×12	2
8	82120-I047-0000	磁电机定子组合	STATOR ASSEMBLY, MAGNETO	1

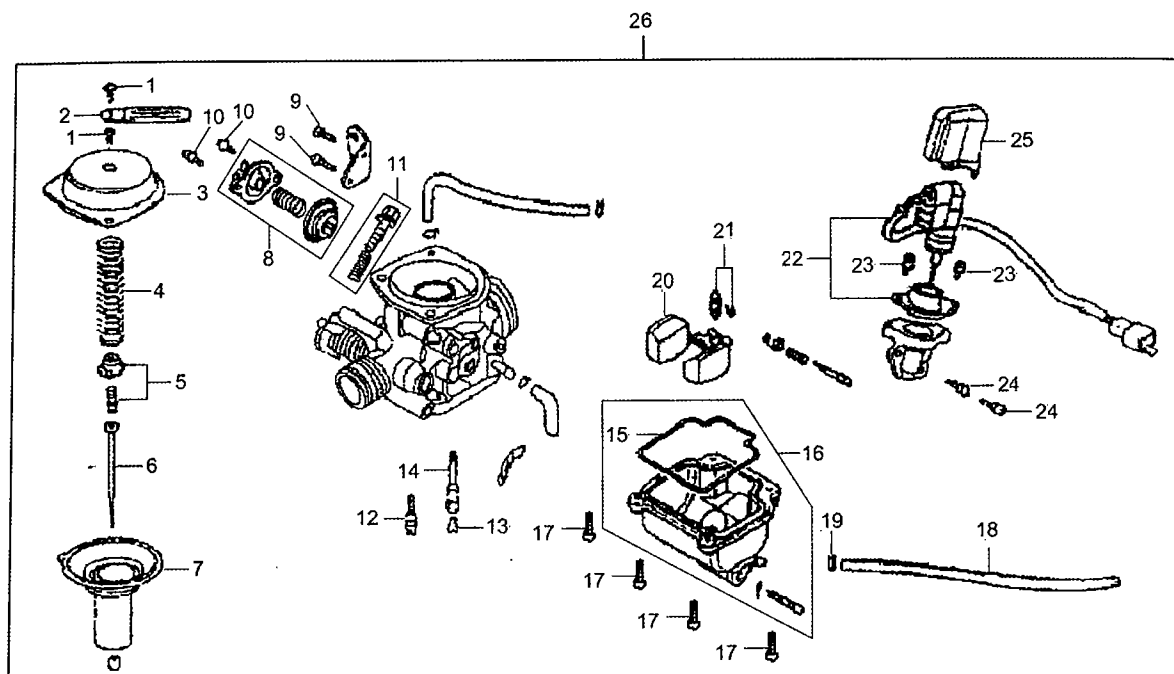
## 电启动机构 ELECTRIC STARTING MECHANISM



序号 RefNo	编号 Part No	中文名称 Chinese Description	英文名称 English Description	数量 Qty
1	82200-I015-0000	启动电机部件	ASSEMBLY, STARTING MOTOR	1
2	21421-I015-0000	双联齿轮 (一)	DOUBLE GEAR (1ST)	1
3	21402-I015-0000	双联齿轮轴	SHAFT, DOUBLE GEAR	1
4	91209-I015-0000	超越离合器锁紧螺母 M22×1	NUT M22×1	1
5	93301-1222531000	垫圈 22.2×2.5×31	WASHER 22.2×2.5×31	1
6	21314-I015-0000	盘形齿轮	GEAR, STARING CLUTCH	1
7	92102-0000K283217	滚针轴承 (K283217)	NEEDLE BEARING (K283217)	1
8	B00070010600187	螺钉 M6×18	SCREW M6×18	3
9	21309-I015-0000	启动离合器本体	STARTING CLUTCH BODY	1
10	21304-I015-0000	启动离合器滚柱	ROLLER, STARTING CLUTCH	3
11	21305-I015-0000	启动离合器弹簧套	SOCKET, SPRING, STARTING CLUTCH	3
12	21303-I015-0000	启动离合器滚柱弹簧	SPRING, ROLLER, STARTING CLUTCH	3
13	21312-I015-0000	启动离合器凸缘	FLANGE, STARING CLUTCH	1
14	21300-I015-0000	超越离合器部件	ASSEMBLY, OVERRUNNING CLUTCH	1



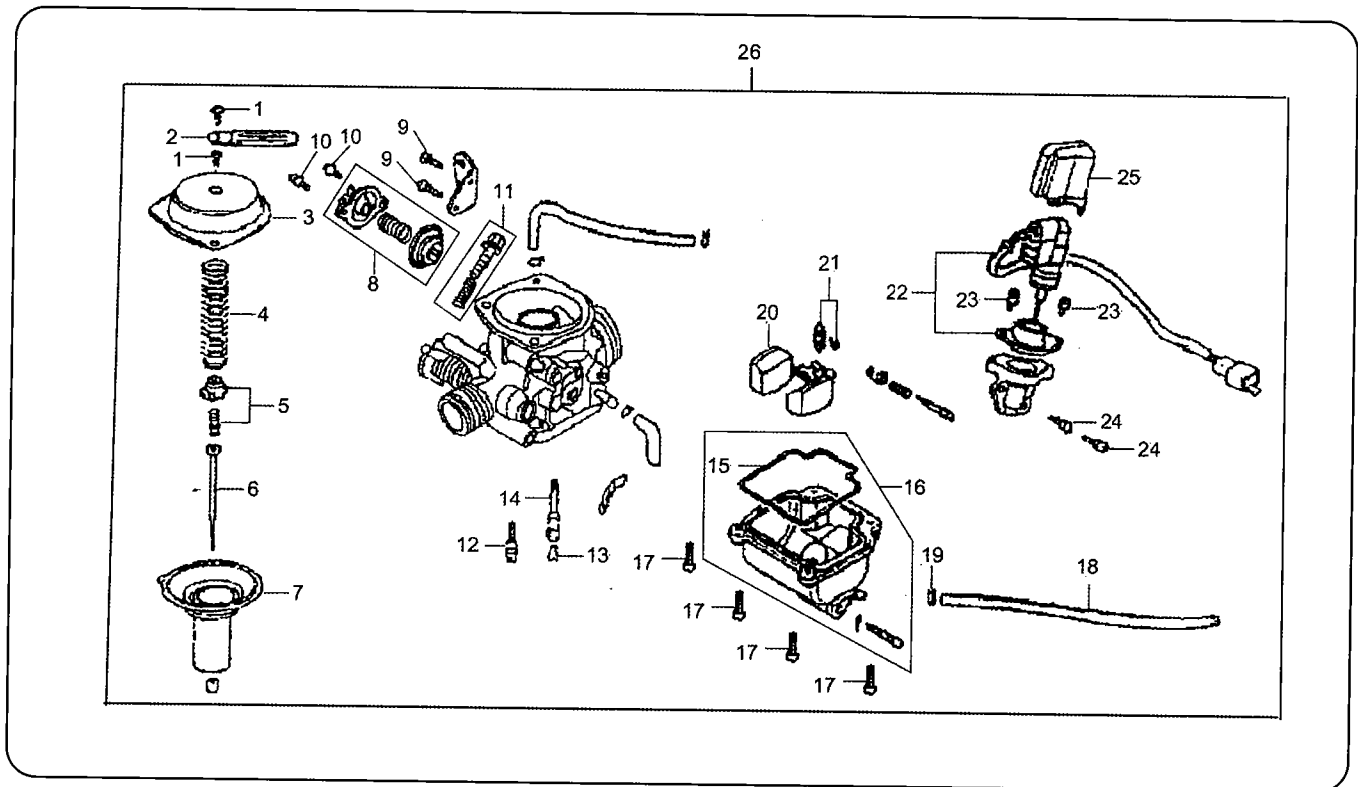
## 化油器 CARBURETOR



数量 Qty
1
1
1
1
1
1
1
1
3
1
3
3
3
1
1

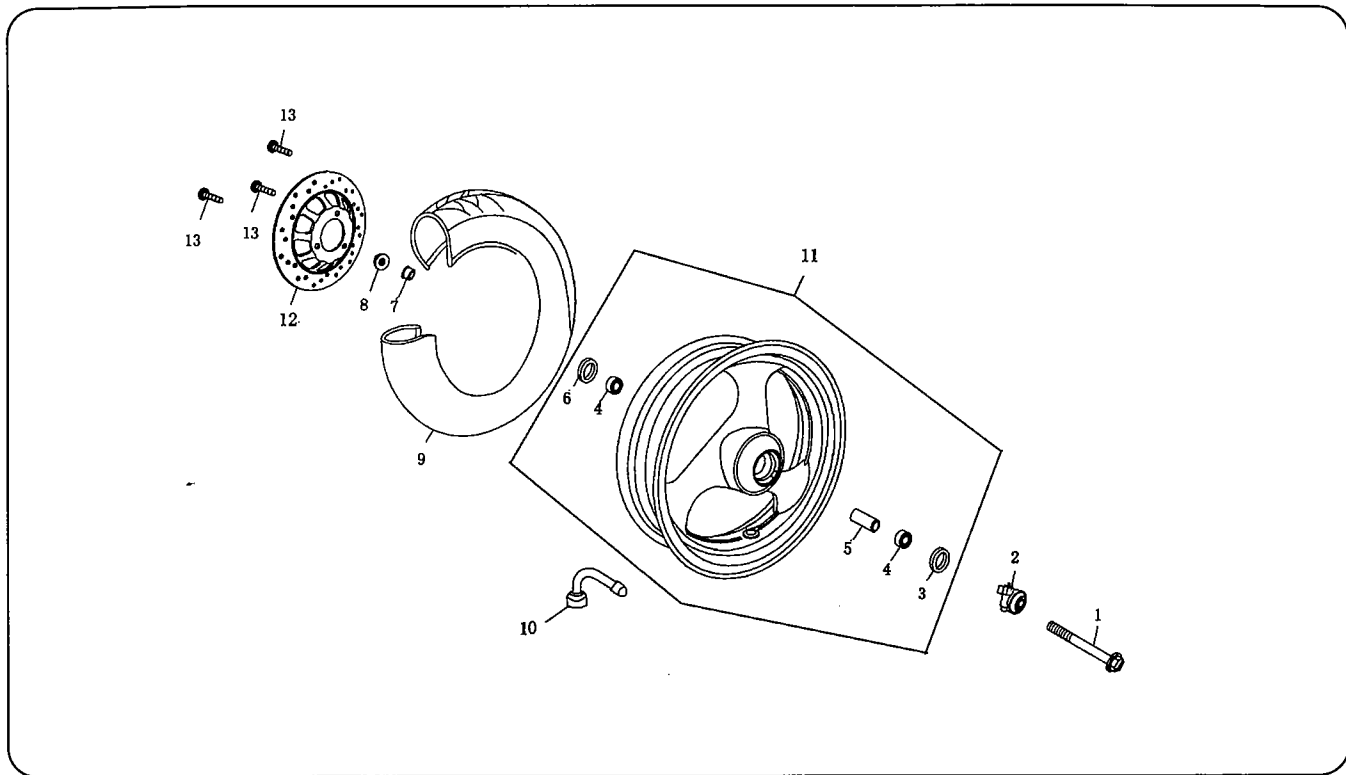
序号 RefNo	编号 Part No	中文名称 Chinese Description	英文名称 English Description	数量 Qty
1	GB/T818-2000	螺钉 M4×8	SCREW M4×8	2
2	17104-J204-0000	板夹	PLATE CLIP	1
3	17102-J204-0000	化油器顶盖	CAP,VACUUM PISTON VALVE	1
4	17176-J204-0000	膜片压紧弹簧	SPING	1
5	17153-J204-0000	主喷油针支座	PLATE SET	1
6	17156-J204-0000	主油针	OIL NEEDLE	1
7	17110-J204-0000	真空活塞阀	VACUUM PISTON VALVE	1
8	17105-J204-0000	阻风阀组	AIR BLOCK VALVE	1
9	GB/T818-2000	螺钉 M5×12	SCREW M5×12	2
10	GB/T818-2000	螺钉 M4×10	SCREW M4×10	2
11	17111-J204-0000	怠速调节螺钉组	SCREW SET	1
12	91125-J204-0000	怠速量孔 35#	INJECTING NOZZLE 35#	1
13	17118-J204-0000	主量孔 112#	MAIN INJECTING NOZZLE 112#	1
14	17153-J204-0000	油针支座	BASE,OIL NEEDLE	1
15	17174-J204-0000	密封圈	GASKET	1
16	17140-J204-0000	浮子室组	FLOAT CHAMBER	1
17	GB/T818-2000	螺钉 M4×14	SCREW M4×14	4
18	17148-J204-0000	化油器放油管	OVERFLOW TUBE	1
19	17150-J204-0000	管夹	TUBE CLIP	1
20	17154-J204-0000	化油器浮子	FLOAT CANISTER ASSY.	

## 化油器 CARBURETOR



序号 RefNo	编号 Part No	中文名称 Chinese Description	英文名称 English Description	数量 Qty
21	17155-J204-0000	浮子阀门组件	FLOST CANISTER VALVE	2
22	171B3-J204-0000	起动阀组	STARTING VALVE SET	1
23	GB/T818-2000	螺钉M5×12	SCREW M5×12	2
24	GB/T818-2000	螺钉M4×8	SCREW M4×8	2
25	171B8-J204-0000	起动加浓阀防尘帽	CAP,STARTING VALVE	1
26	17100-J204-0000	化油器	CARBURETOR	1

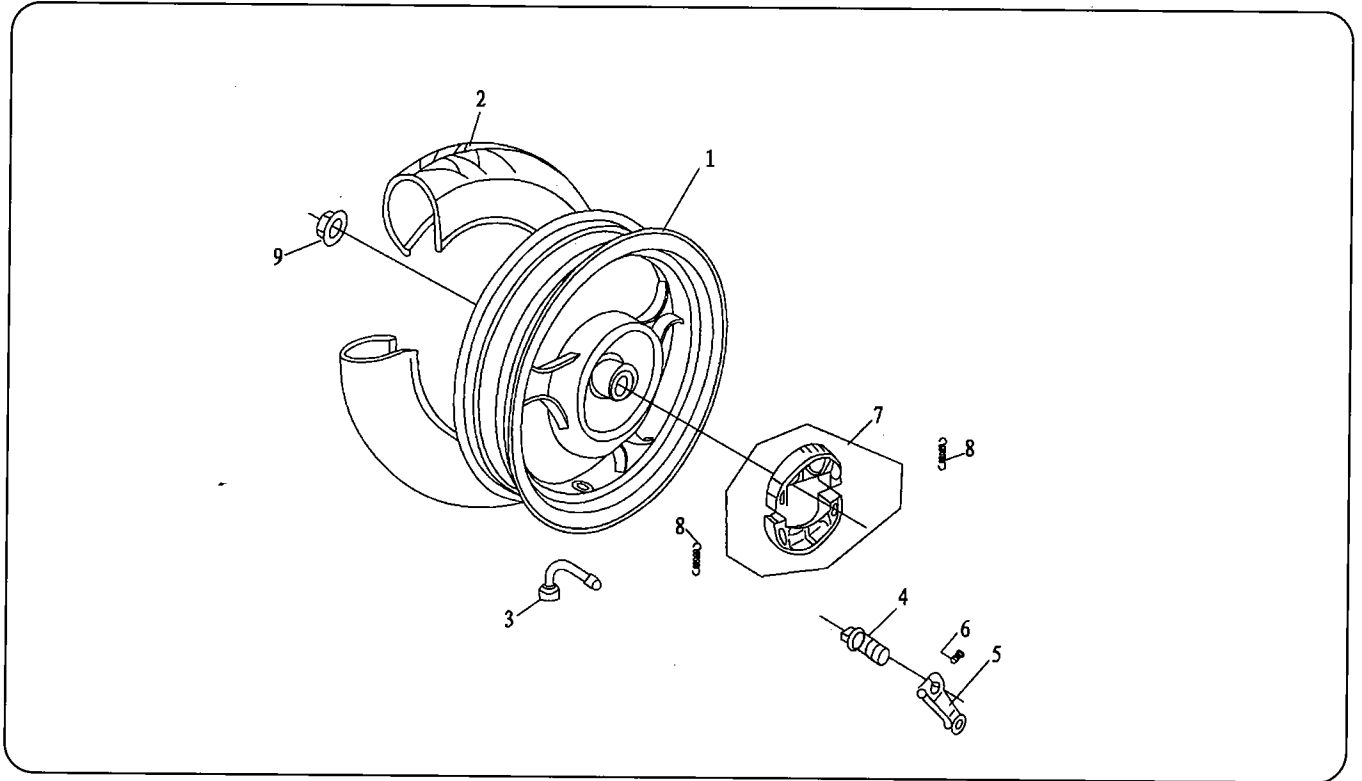
前轮 FRONT WHEEL



数量 Qty
2
1
2
2
1
1

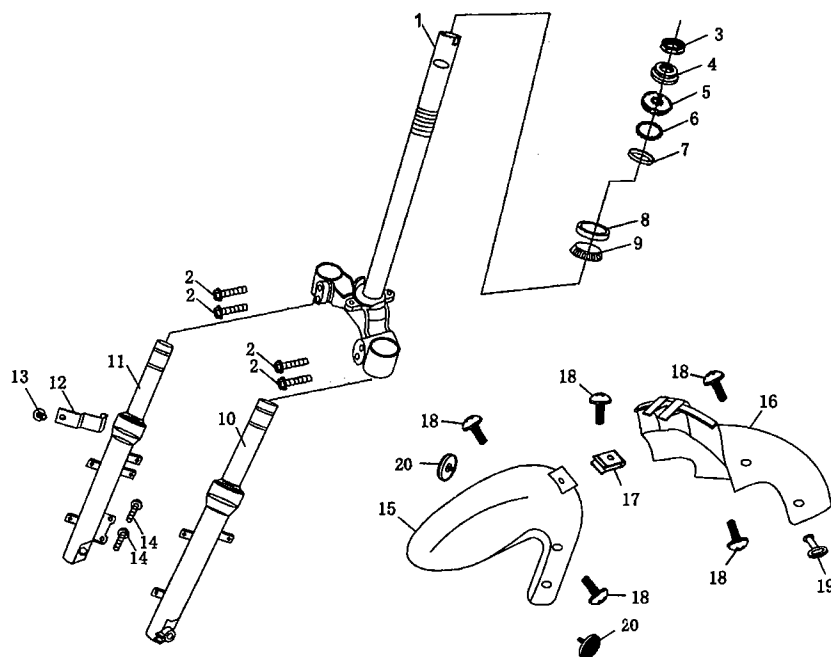
序号 RefNo	编号 Part No	中文名称 Chinese Description	英文名称 English Description	数量 Qty
1	GB5789-1986	前轮轴 M12×1.25×245	FRONT WHEEL AXLE M12×1.25×245	1
2	87330-J204-000071	计速器	SPEEDOMETER GEAR ASSY	1
3	90335-J204-0100	计速器油封	DUST SEAL, SPEEDOMETER GEAR	1
4	92102-00000006201	轴承 (6021)	BEARING 6201	2
5	51117-J204-0000	中间隔套	CENTRAL BUSH	1
6	90335-J204-0000	前轮油封	DUST SEAL, FRONT WHEEL	1
7	51102-J204-0000	前轮右衬套	LEFT BUSH, FRONT WHEEL	1
8	GB6187.1-2000	前轮螺母 M12×1.25	NUT M12×1.25	1
9	51103-J204-0000	前轮外胎 (130/60-13 真空)	TYRE 130/60-13	1
10	51108-J204-0000	气门嘴	AIR NOZZLE	1
11	51120-J204-0000	前铝轮 MT3. 50×13	FRONT RIM ASSY	1
12	53001-J204-0000	前制动盘	FR. BRAKE DISC	1
13	53004-J204-0000	碟刹盘螺栓	BLOT, FR. BRAKE DISC	3

## 后轮 REAR WHEEL



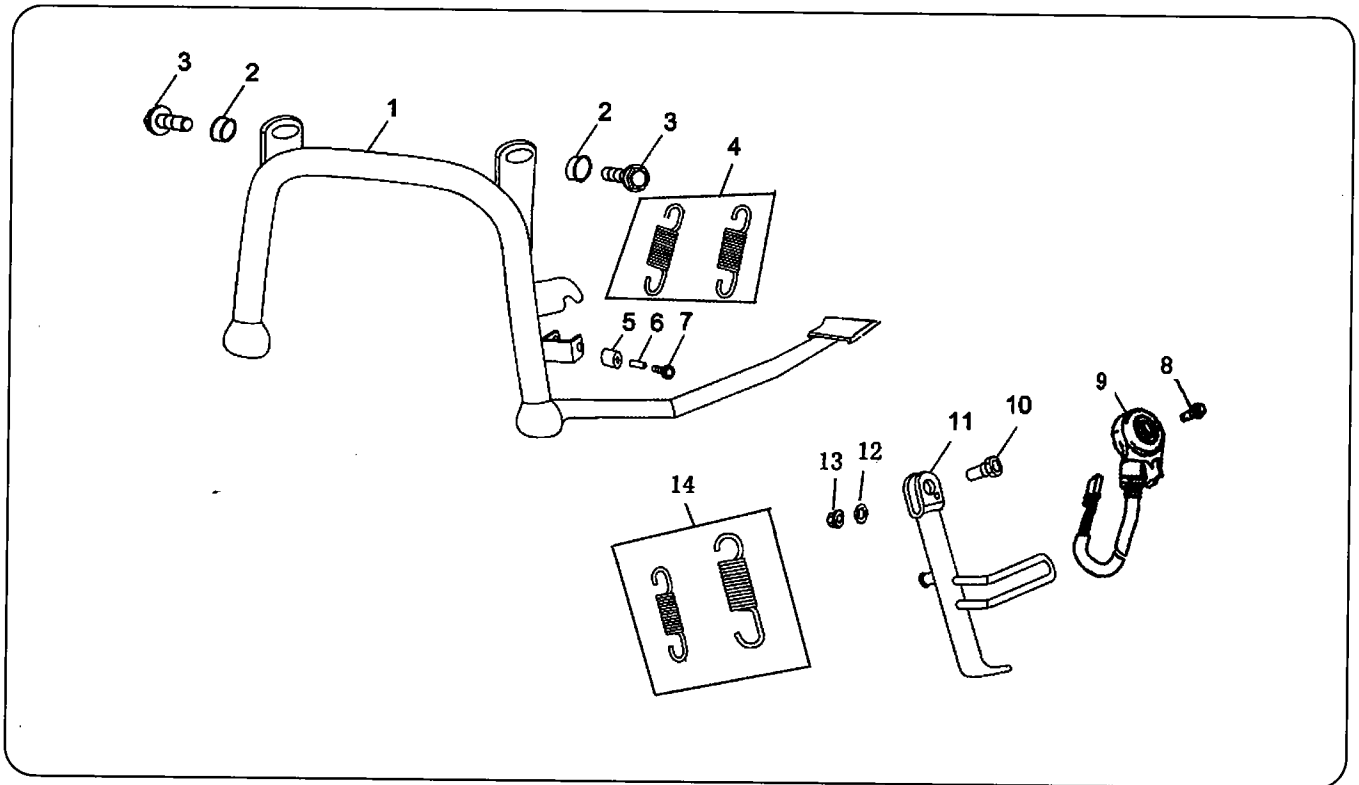
序号 RefNo	编号 Part No	中文名称 Chinese Description	英文名称 English Description	数量 Qty
1	51220-J204-0000	后铝轮 MT3. 50×13	REAR RIM ASSY	1
2	51203-J204-0000	后轮外胎(130/60-13 真空)	TYRE130/60-13	1
3	51108-J204-0000	气门嘴	AIR NOZZLE	1
4	54209-J204-0000	后制动凸轮轴	REAR BRAKE CAM	1
5	54207-J204-0000	后制动摇臂	REAR BRAKE LEVER ASSY.	1
6	GB5789-1986	螺栓 M6×35	BOLT M6×35	1
7	54204-J204-0000	后制动蹄块	REAR BRAKE SHOE ASSY.	2
8	54201-J204-0000	后制动蹄块弹簧	REAR BRAKE REDAT ASSY.	2
9	GB6187.1-2000	后轮螺母 M16×1.5	NUT M16×1.5	1

## 前叉 FRONT FORK



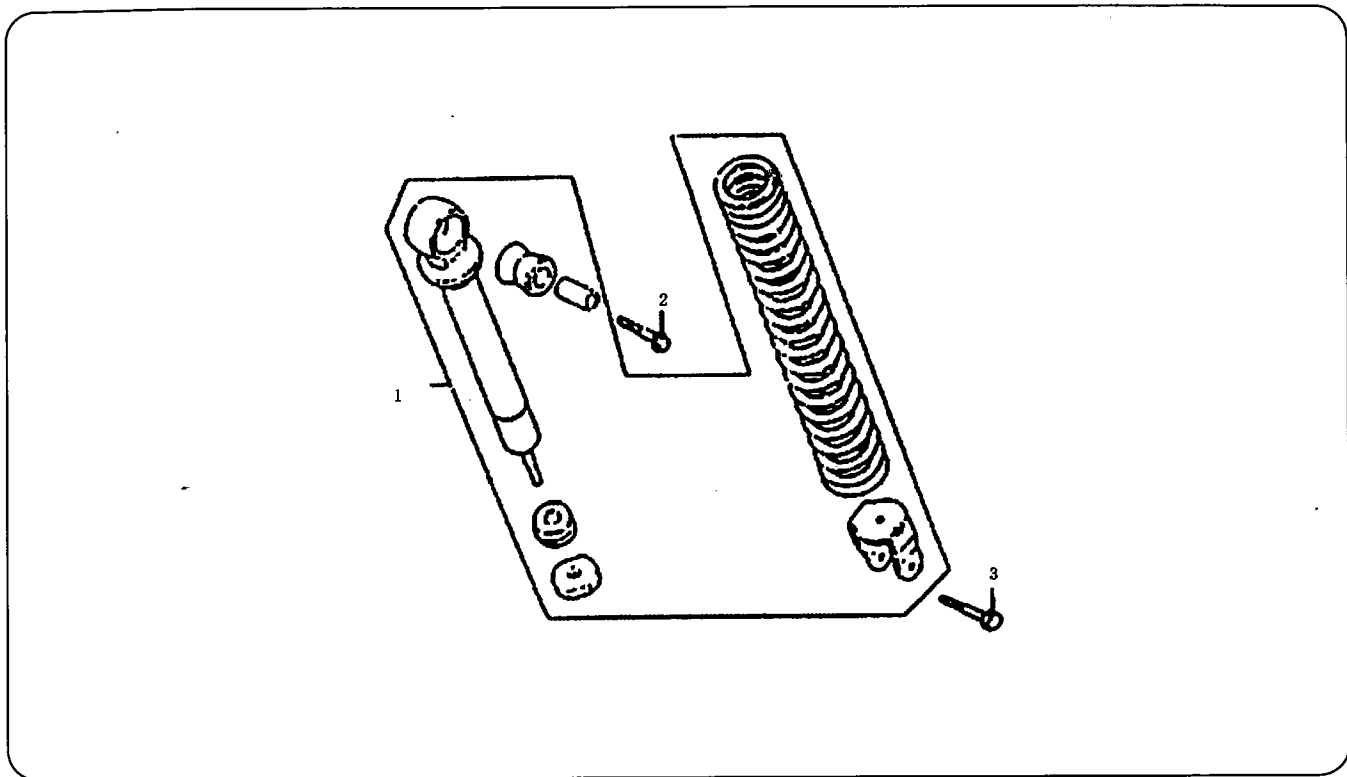
数量 Qty	序号 RefNo	编号 Part No	中文名称 Chinese Description	英文名称 English Description	数量 Qty
1	1	71100-J204-0000	方向柱总成	STEERING COLUMN WELDING	1
1	2	GB5789-1986	方向柱螺栓 M10×1.25×50	BOLT M10×1.25×50	4
1	3	71106-J204-0000	锁紧螺母	LOCK NUT	1
1	4	71105-J204-0000	方向柱调节螺母	ADJUSTING NUT	1
1	5	71203-J204-0000	轴承上座圈	UPPER RACE	1
1	6	71208-J204-0000	上保持架	BALL STEEL ASSY.	1
2	7	71201-J204-0000	轴承上挡圈	UPPER RACE	1
2	8	71202-J204-0000	轴承下挡圈	LOWER RACE	1
1	9	71200-J204-0000	方向柱轴承座	LOWER RACE	1
	10	34100-J204-000071	左前减震器	FRONT SHOCK ABSORBER,LEFT	1
	11	34200-J204-000071	右前减震器	FRONT SHOCK ABSORBER,RIGHT	1
	12	53046-J204-000071	前制动油管夹	CLIP, FRONT BRAKE	1
	13	GB5789-1986	螺栓 M6×12	BOLT M6×12	1
	14	GB5789-1986	碟刹泵安装螺栓 M8×23	BOLT M8×23	2
	15	63101-J204-0000	前挡泥板前体	FRONT PART, FRONT FENDER	1
	16	63102-J204-0000	前挡泥板后体	REAR PART, FRONT FENDER	1
	17	91207-1050-02060L	螺母夹片 M6	NUT SPECIAL M6	1
	18	9A113-1060-01660L	大扁头螺栓 M6×12	BOLT SPECIAL M6×12	5
	19	85105-J204-0000	里程线夹	RUBBER QUOIT	1
	20	85850-B140-0000	侧反射器	REFLECTOR	2

## 主支架/侧支架 MAIN STAND/SIDE STAND



序号 RefNo	编号 Part No	中文名称 Chinese Description	英文名称 English Description	数量 Qty
1	32200-J204-000065	主支架	MAIN STAND	1
2	32201-J204-0000	主支架安装衬套	BUSH, MAIN STAND	2
3	GB5789-1986	螺栓 M10×1.25×25	BOLT M10×1.25×25	2
4	32202-J204-00000C	主支架弹簧 (双弹簧)	SPRING, MAIN STAND (DUBLE)	1
5	32207-J204-0000	主支架胶轮	RUBBER, MAIN STAND	1
6	32208-J204-0000	主支架减震垫衬套	BUSH	1
7	GB5789-1986	螺栓 M6×30	BOLT M6×30	1
8	GB5789-1986	螺栓 M6×16	BOLT M6×16	1
9	72380-B140-0000	熄火开关	FLAMEOUT SWITCH	1
10	32131-J204-0000	侧支架螺栓	BOLT, SIDE STAND	1
11	32130-J204-0000	侧支架	SIDE STAND	1
12	GB93	弹簧垫圈 10	WASHER10	1
13	GB/T6170	螺母 M10×1.25	NUT M10×1.25	1
14	32102-J204-0000	侧支架弹簧 (双弹簧)	SPRING, SIDE STAND (DUBLE)	1

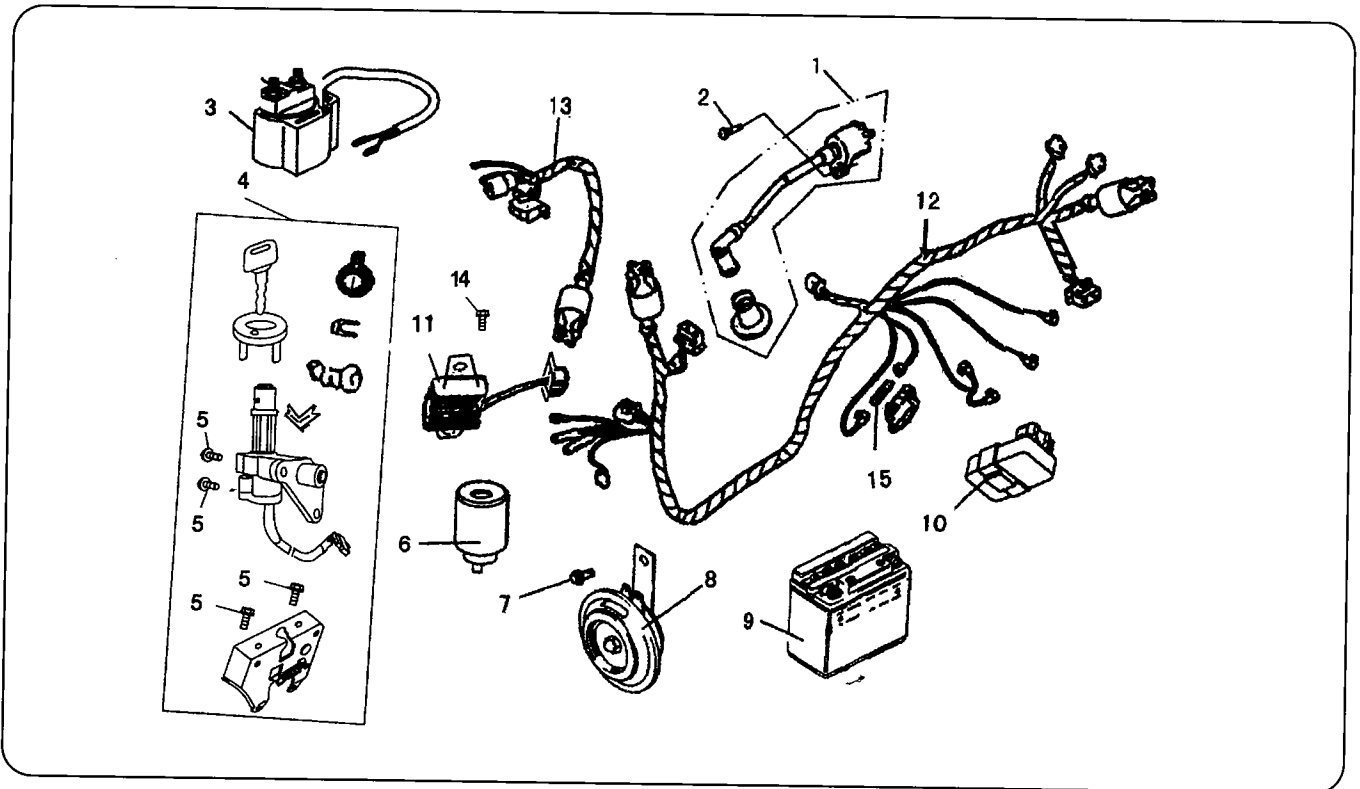
后减震器 REAR DAMPER



数量 Qty
1
2
2
1
1
1
1
1
1
1
1
1
1
1
1
1
1
1
1
1
1

序号 RefNo	编号 Part No	中文名称 Chinese Description	英文名称 English Description	数量 Qty
1	33300-J204-0000	后减震器	REAR DAMPER	2
2	GB5789-1986	螺栓 M10×1.25×40	BOLT M10×1.25×40	2
3	GB5789-1986	螺栓 M8×30	BOLT M8×30	2

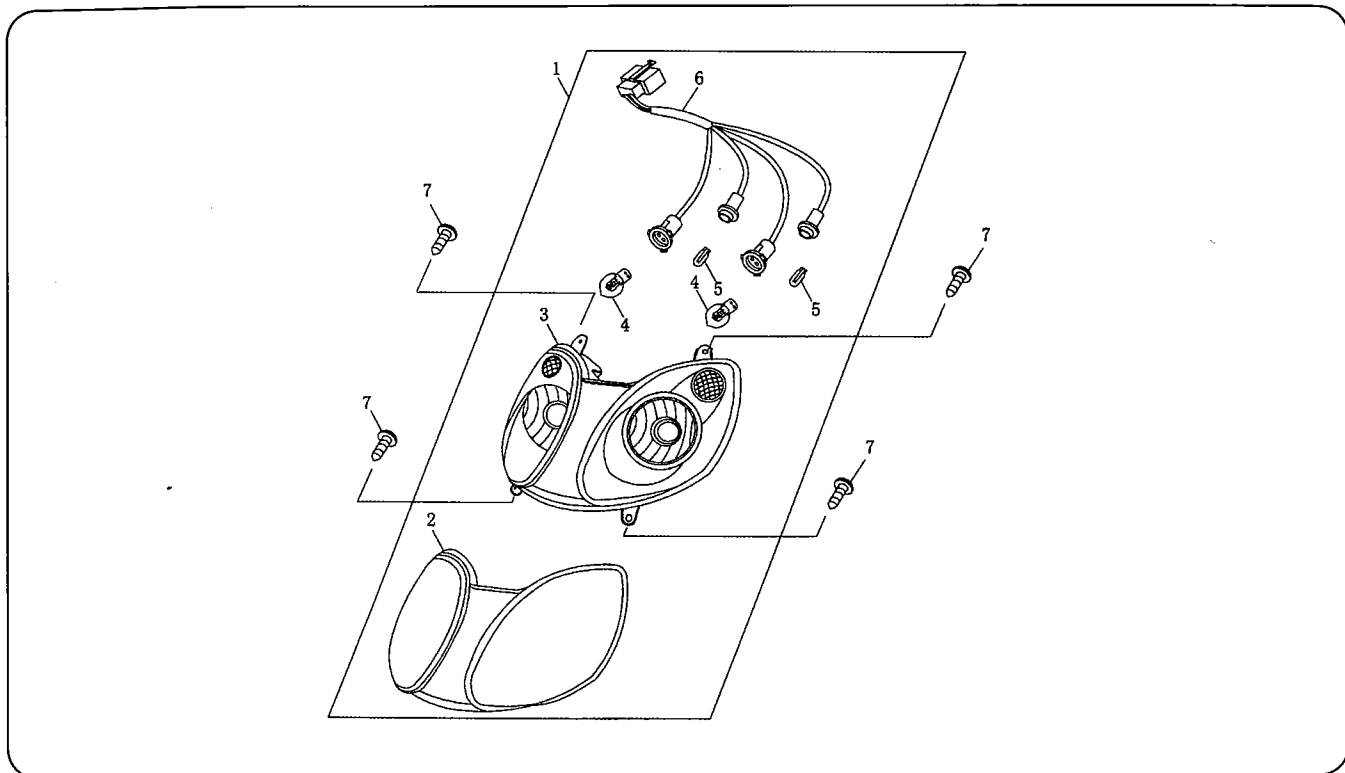
## 主电缆 MAIN WIRE HARNESS



序号 RefNo	编号 Part No	中文名称 Chinese Description	英文名称 English Description	数量 Qty
1	81100-I158-0000	点火线圈	IGNITION COIL	1
2	GB818-1986	螺钉 M5×20	SCREW M5×20	1
3	82290-I158-0000	启动继电器	STARTING RELAY	1
4	07002-J204-0000	全车锁	LOCK ASSY.	1
5	GB5789-1986	螺栓 M6×16	BOLT M6×16	4
6	85600-I158-0000	闪光器	FLASHER	1
7	GB5789-1986	螺栓 M6×12	BOLT M6×12	1
8	85500-I158-0000	喇叭	HORN	1
9	83200-I158-0000	蓄电池(12V7N)	BATTERY	1
10	81200-I158-0100	点火器	ELECTRIC IGNITOR	1
11	83100-I158-0000	调压整流器	VOLTAGE REGULATOR	1
12	85100-J204-0000	主电缆	MAIN WIRE	1
13	85150-J204-0000	副电缆	SECONGLY WIRE	1
14	GB5789-1986	螺栓 M6×12	BOLT M6×12	1
15	85171-B140-0000	保险管 12V15A	FUSE12V15A	1



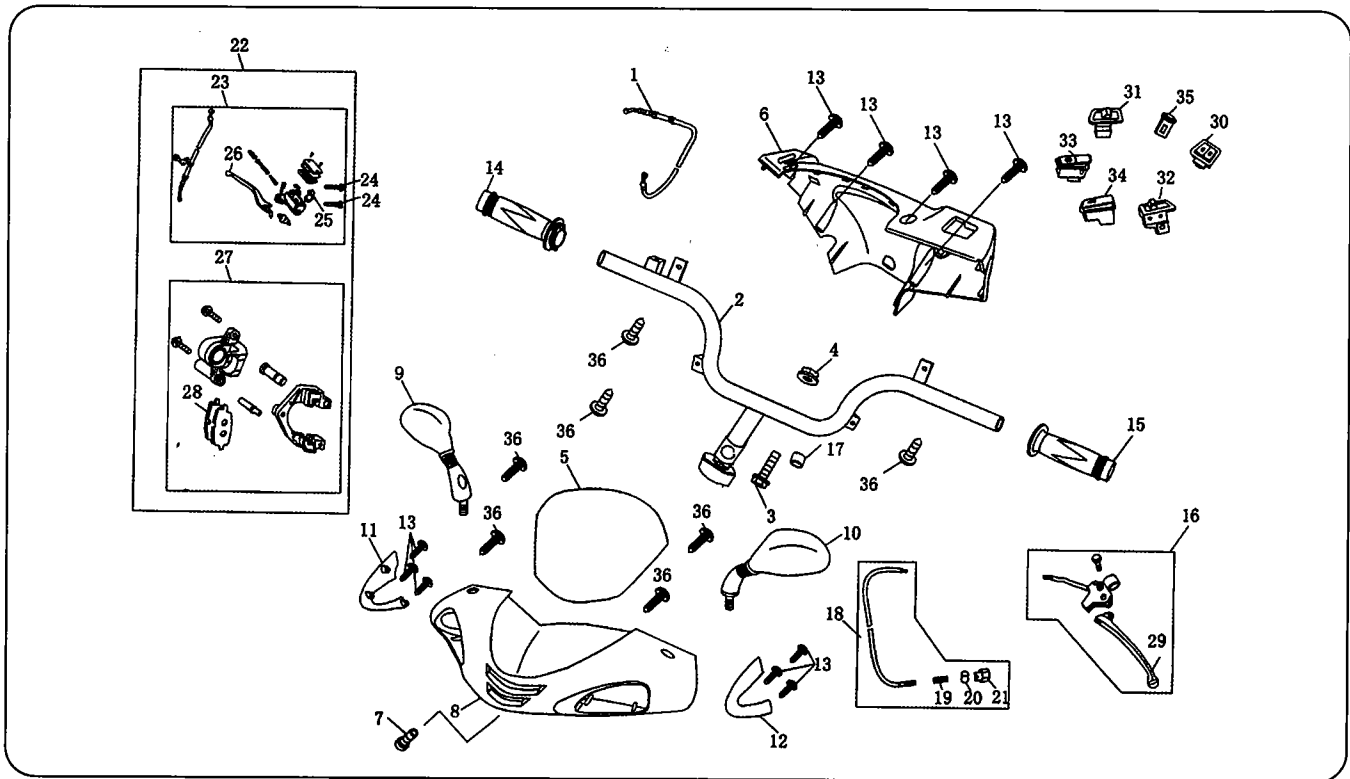
前照灯 HEAD LIGHT



数量 Qty
1
1
1
1
4
1
1
1
1
1
1
1

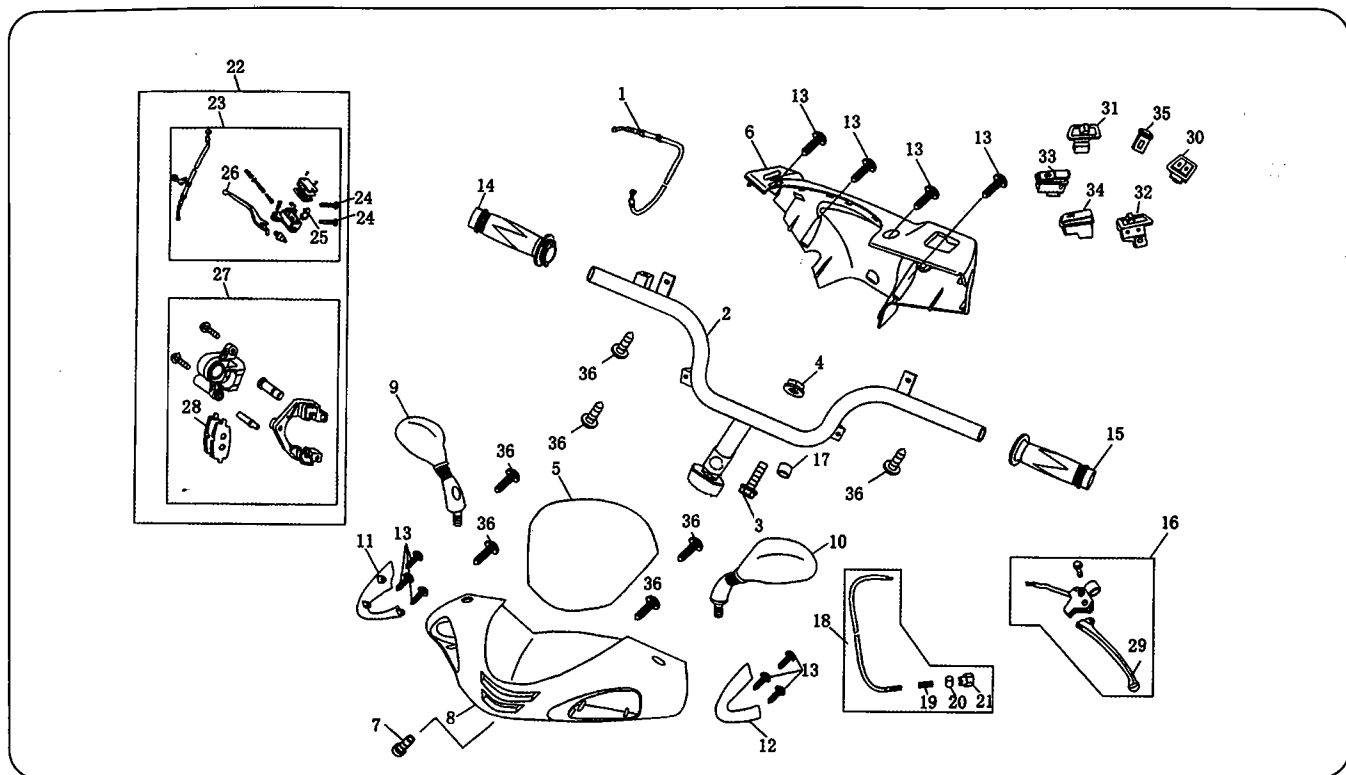
序号 RefNo	编 号 Part No	中文名称 Chinese Description	英文名称 English Description	数量 Qty
1	86100-J204-0000	前照灯	HEAD LIGHT	1
2	86104-J204-0000	前照灯灯壳	COVER, HEAD LIGHT	1
3	86101-J204-0000	前照灯后壳	SHIELD, HEADLIGHT	1
4	86160-J204-0000	前照灯灯泡	BULB,HEADLIGHT12V35W/35W	2
5	86170-J204-0000	小灯灯泡	POSITION LIGHT BULB	2
6	86111-J204-0000	前照灯线束(S)	HEAD LIGHT CABLE	1
7	GB/T845	自攻螺钉 ST4.2x13	SCREW TAPPING ST4.2x13	4

## 操纵系统 OPERATING SYSTEM



序号 RefNo	编号 Part No	中文名称 Chinese Description	英文名称 English Description	数量 Qty
1	72400-J204-0000	油门拉索	THROTTLE CABLE	1
2	72100-J204-000065	方向把管	DIRECTION HANDLE	1
3	GB5789-1986	螺栓 M10×1.25×50	BOLT M10×1.25×50	1
4	GB6187	螺母 M10	NUT M10	1
5	63757-J204-0000	灯壳玻板	TRANSMIT COVER	1
6	63505-J204-0000	仪表壳	SHIELD, METER	1
7	GB/T818-1986	螺钉 M5×20	SCREW M5×20	1
8	63501-J204-0000	前照灯灯壳	SHIELD, HEAD LIGHT	1
9	69110-J204-0100	右后视镜	MIRROR ASSY, RIGHT REAR VIEW	1
10	69120-J204-0100	左后视镜	MIRROR ASSY, LEFT REAR VIEW	1
11	72013-J204-0000	右手把护罩	GUARD, RIGHT HANDLE	1
12	72012-J204-0000	左手把护罩	GUARD, LEFT HANDLE	1
13	GB/T845-1986	自攻螺钉 ST4.2×12	SCREW TAPPING ST4.2*13	10
14	72020-I158-0000	右手把胶套组合	GREASER ASSY	1
15	72010-I158-0000	左手把胶套	LEFT GRIP ASSY	1
16	72200-J204-0000	左闸把座总成	LEFT HANDLE BASE	1
17	72105-J204-0000	方向把衬套	BOSH, HANDLE	1
18	72800-J204-0000	后制动拉索	CABLE, REAR BRAKE	1
19	72807-J204-0000	后制动拉索调整弹簧	SPRING, CABLE, REAR BRAKE	1
20	72813-J204-0000	后制动开关拉索连接块	JIONT BRAKE ARM	1

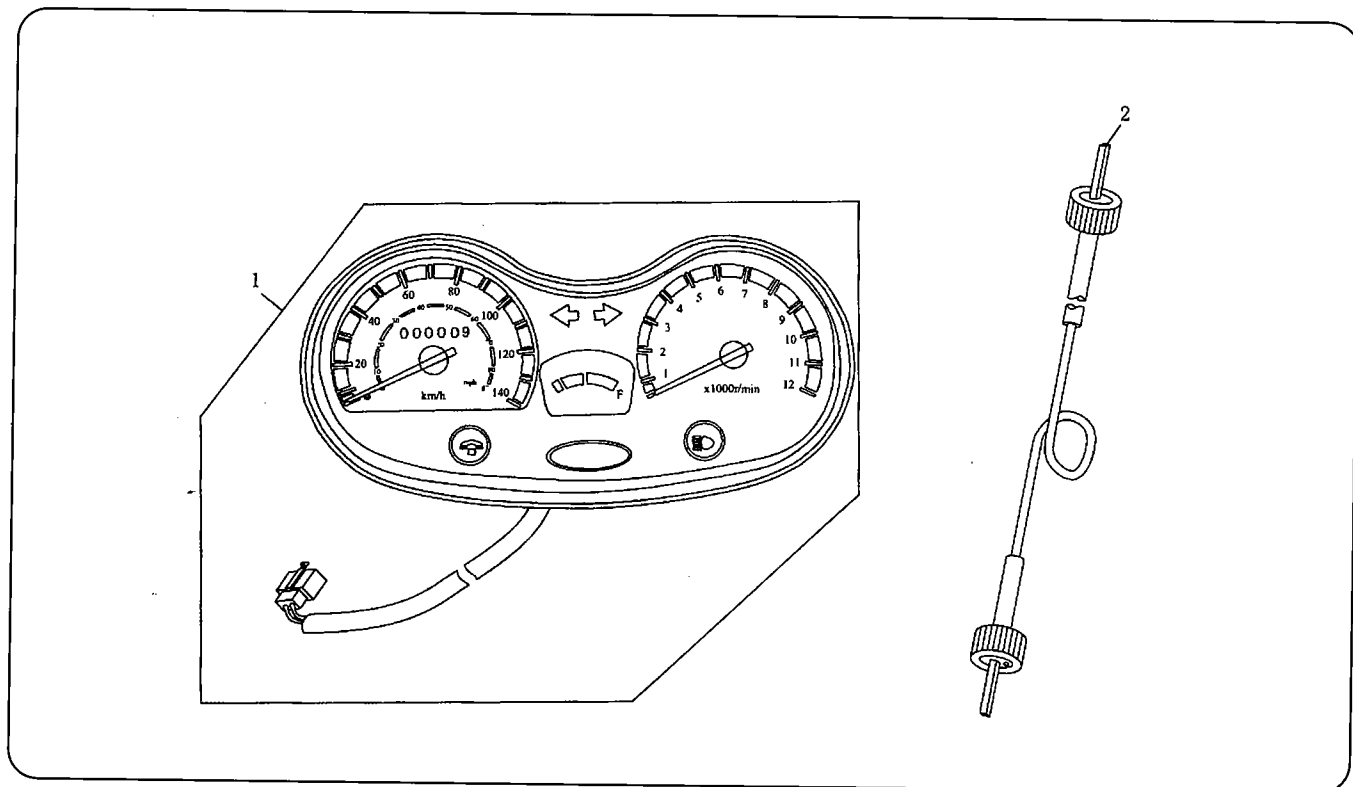
操纵系统 OPERATING SYSTEM



数量 Qty
1
1
1
1
1
1
1
1
1
1
10
1
1
1
1
1

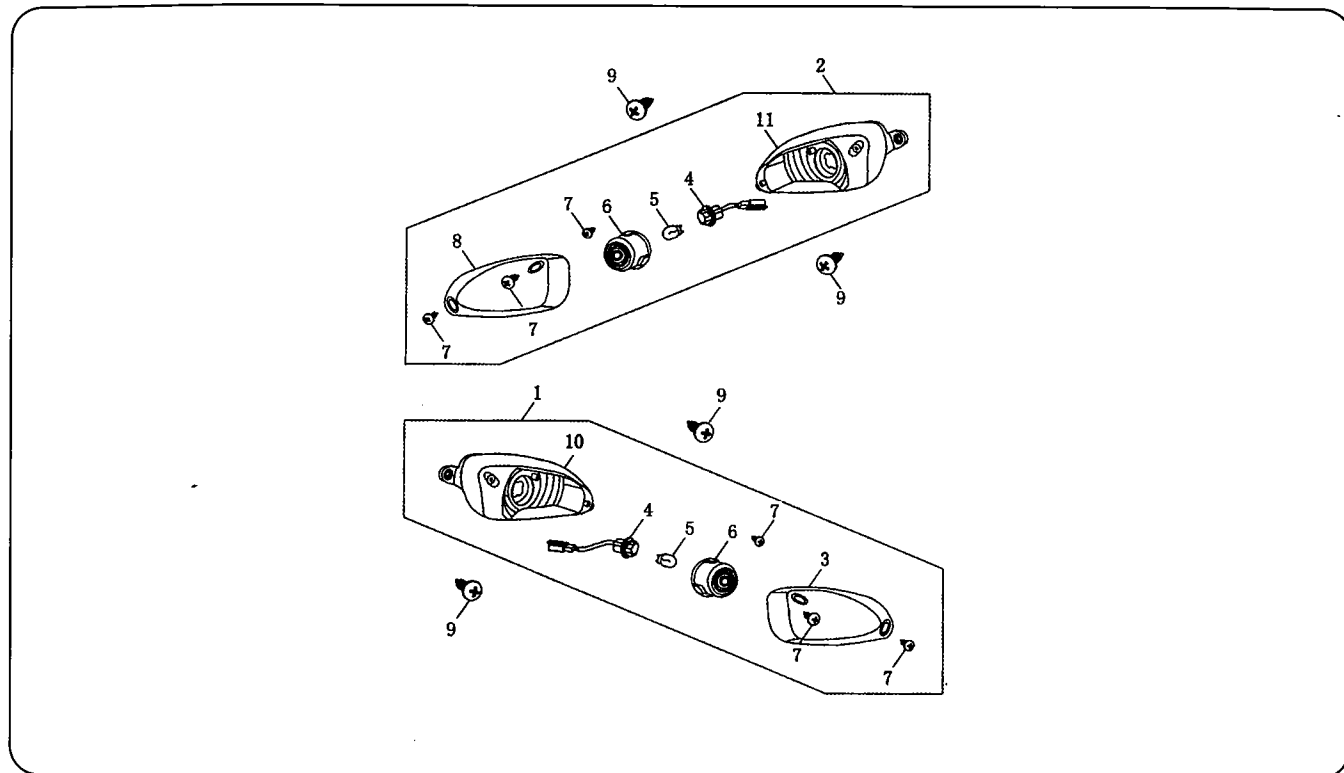
序号 RefNo	编号 Part No	中文名称 Chinese Description	英文名称 English Description	数量 Qty
21	72804-J204-0000	后制动拉索套管帽	NUT ADGUST	1
22	53000-J204-0000	前碟刹总成	DISK BRAKE ASSY FR.	1
23	53012-J204-0000	前碟刹上泵	MASTER DISK BRAKE ASSY FR.	1
24	GB/T5787-1986	螺栓 M6×22	BOLT M6×22	2
25	53006-J204-0000	前碟刹上泵固定卡	STATER DISK BRAKE ASSY FR.	1
26	72309-J204-0000	前制动手柄	HANDLE, BRAKE ASSY FR.	1
27	53014-J204-0000	前碟刹下泵	CALIPER BRAKE ASSY FR.	1
28	53013-J204-0000	前碟刹摩擦片	PIECES, BRAKE ASSY FR.	2
29	72313-J204-0000	后制动手柄	HANDLE, BRAKE ASSY RR.	1
30	72210-J204-0000	远近光灯开关	CHANGE LIGHT SWITCH	1
31	72220-J204-0000	转向灯开关	CHANGE DIRECTION SWITCH	1
32	72240-J204-0000	照明开关	LIGHT SWITCH	1
33	72230-J204-0000	喇叭按钮	HORN SWITCH	1
34	72270-J204-0000	电启动开关	ELECTRIC START SWITCH	1
35	72380-J204-0000	紧急熄火开关	HURRY-UP FLAMEOUT SWITCH	1
36	GB/T845-1986	自攻螺钉 ST4.2×16	SCREW TAPPING ST4.2*16	2

## 仪表 METER



序号 RefNo	编号 Part No	中文名称 Chinese Description	英文名称 English Description	数量 Qty
1	87100-J204-0000	仪表总成	METER ASSY.	1
2	87300-J204-0000	里程表软轴	ODOMETER CABLE	1

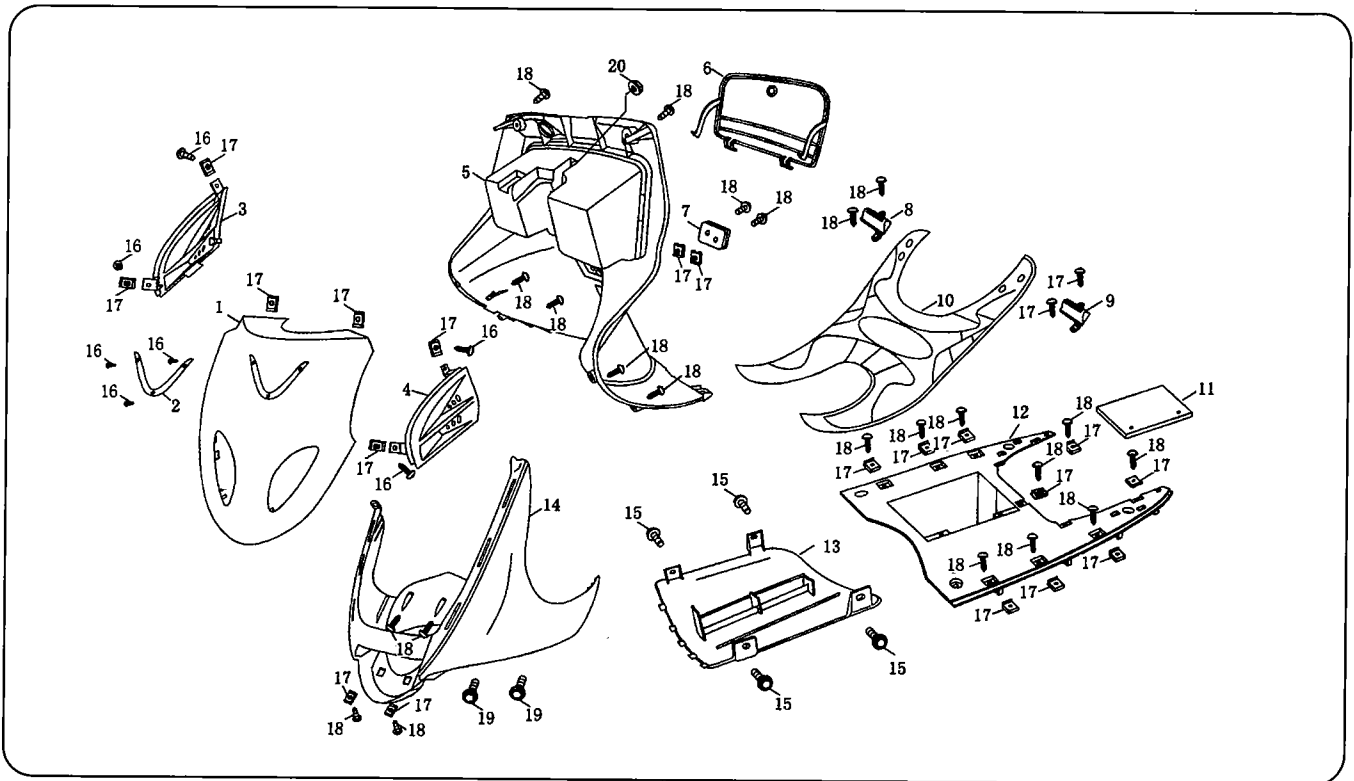
前转向灯 FRONT TURNING LIGHT



数量 Qty
1
1

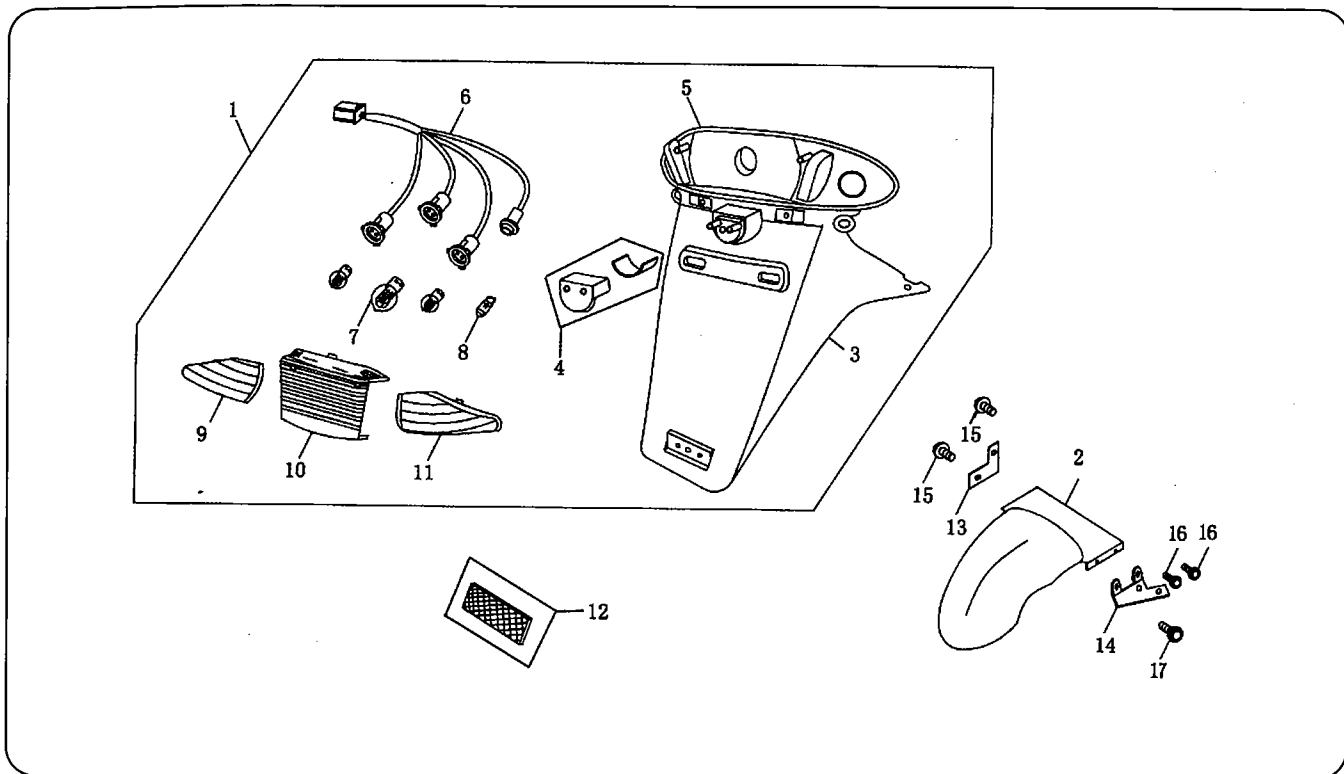
序号 RefNo	编号 Part No	中文名称 Chinese Description	英文名称 English Description	数量 Qty
1	86400-J204-0000	前左转向灯	LEFT FR. TURNING LIGHT	1
2	51120-J204-0000	前右转向灯	RR. RIGHT TURNING LIGHT	1
3	86306-J204-0000	前左转向灯灯罩	LEFT FR. TURNING LIGHT COVER	1
4	86303-J204-0000	转向灯线束	TURNING LIGHT WIRE	2
5	86340-J204-0000	转向灯灯泡 12V10W	BULB,TURNING SIGNAL LIGHT	2
6	86332-J204-0000	前转向灯后护罩	RR. GUARD, TURNING LIGHT FR.	2
7	GB/T845	自攻螺钉 ST3.5×11	SCREW TAPPING ST3.5×11	6
8	86406-J204-0000	前右转向灯灯罩	RIGHT FR. TURNING LIGHT COVER	1
9	GB/T845	自攻螺钉 ST4.2×13	SCREW TAPPING ST4.2×13	4
10	86401-J204-0000	前左转向灯灯座	TURNING LIGHT BASE FR.	1
11	86402-J204-0000	前右转向灯灯座	TURNING LIGHT BASE RR.	1

## 前面罩/脚踏板 FRONT COVER/FOOTREST



序号 RefNo	编号 Part No	中文名称 Chinese Description	英文名称 English Description	数量 Qty
1	62301-J204-0000	前面罩	FRONT COVER	1
2	62307-J204-00000G	前面罩装饰件	DECK BAR, FRONT COVER	1
3	62316-J204-0000	前面罩左装饰块	AERAION COVER (L.) FRONT COVER	1
4	62317-J204-0000	前面罩右装饰块	AERAION COVER (R.) FRONT COVER	1
5	63702-J204-0000	文件盒	DOCUMENT BOX	1
6	63703-J204-0000	文件盒盖	COVER, DOCUMENT BOX	1
7	31280-J204-0000	头盔挂勾	HOOK, HELMET	1
8	32452-J204-0000	右后脚蹬	FOOT RESTING RIGHT	1
9	32439-J204-0000	左后脚蹬	FOOT RESTING LEFT	1
10	62407-J204-0000	脚踏皮	BEDAL RUBBER	1
11	63706-J204-0000	蓄电池盒盖	COVER, BATTERY BOX	1
12	62408-J204-0000	脚踏板	PEDAL	1
13	62217-J204-0000	下护板	BOTTOM COVER	1
14	62324-J204-0000	前护条	FRONT AROUND COVER	1
15	GB/T5787-1986	螺栓 M6×12	BOLT M6×12	4
16	GB/T845	自攻螺钉 ST4.2×13	SCREW TAPPING ST4.2×13	7
17		自攻夹片 ST4.2	CLIP, ST4.2	29
18	GB/T845	自攻螺钉 ST4.2×16	SCREW TAPPING ST4.2×16	22
19	GB/T5787-1986	螺栓 M6×16	BOLT M6×16	2
20	GB/T6177-1986	螺栓 M6	NUT M6	2

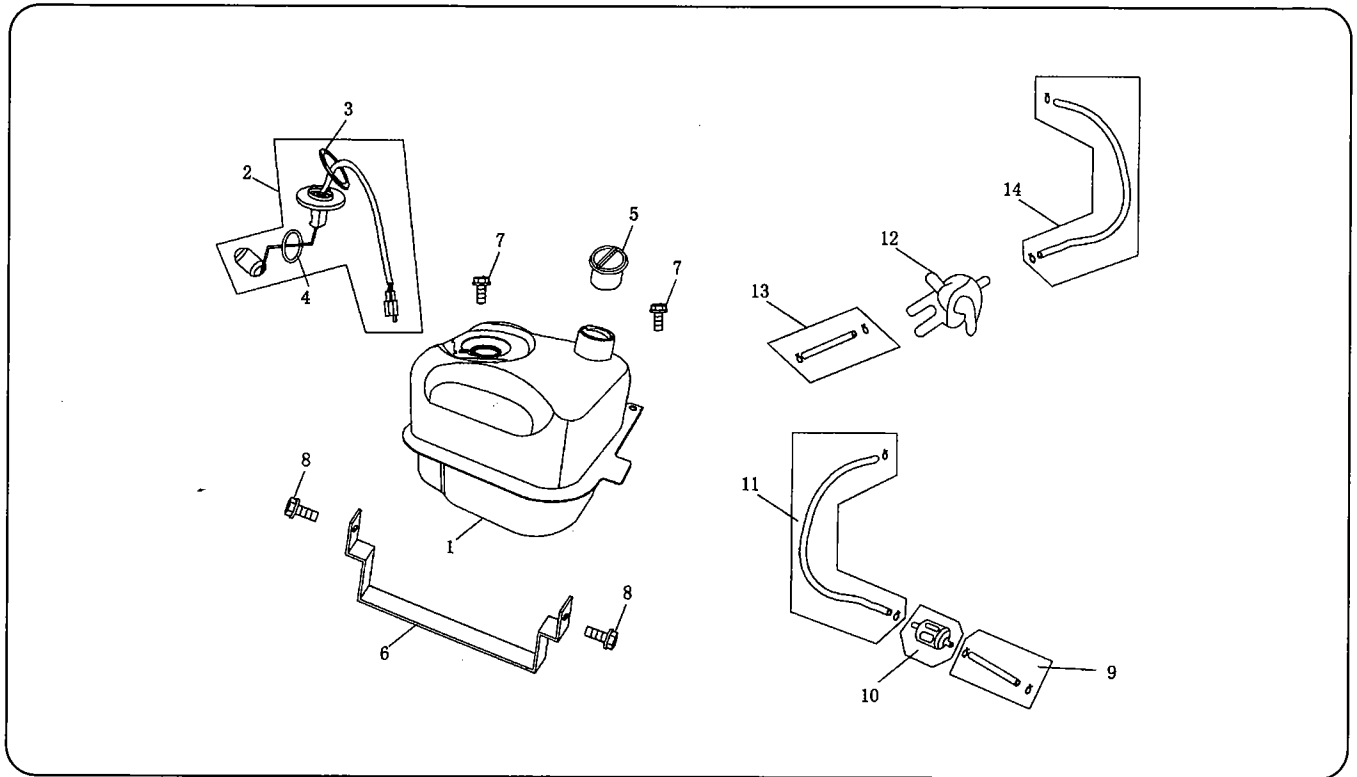
## 尾灯总成/后挡泥板 REAR LIGHT ASSY./REAR FENDER



数量 Qty
1
1
1
1
1
1
1
1
1
1
1
1
1
1
1
4
7
29
22
2
2

序号 RefNo	编号 Part No	中文名称 Chinese Description	英文名称 English Description	数量 Qty
1	86200-J204-0000	尾灯总成	REAR LIHGT ASSY.	1
2	63203-J204-0000	后挡泥板	REAR FENDER	1
3	63202-J204-0000	后挡泥板后段	REAR FENDER RR.	1
4	86700-J204-0000	后牌照灯	LICENSE LIGHT	1
5	86206-J204-0000	尾灯座	BODY, REAR LIHGT	1
6	86202-J204-0000	尾灯线束	CABLE, REAR LIHGT	1
7	86260-J204-0000	尾灯灯泡	BLUB, REAR LIHGT	1
8	86720-J204-0000	后牌照灯灯泡	BLUB, LICENSE LIGHT	1
9	86502-J204-0000	后左转向灯灯罩	COVER, RR. L. TURNING LIGHT	1
10	86204-J204-0000	尾灯灯罩	COVER, REAR LIHGT	1
11	86501-J204-0000	后右转向灯灯罩	COVER, RR. R. TURNING LIGHT	1
12	85830-J204-0000	后反射器	REFLECTOR	1
13	63218-J204-000065	后挡泥板左支架	L. BRACKET, REAR FENGDER	1
14	63218-J204-010065	后挡泥板右支架	R. BRACKET, REAR FENGDER	1
15	GB/T5789-2000	六角法兰面螺栓 M6×16	BOLT 6×16	2
16	GB/T5789-2000	六角法兰面螺栓 M6×30	BOLT 6×30	2
17	GB/T5789-2000	六角法兰面螺栓 M8×16	BOLT 8×16	1

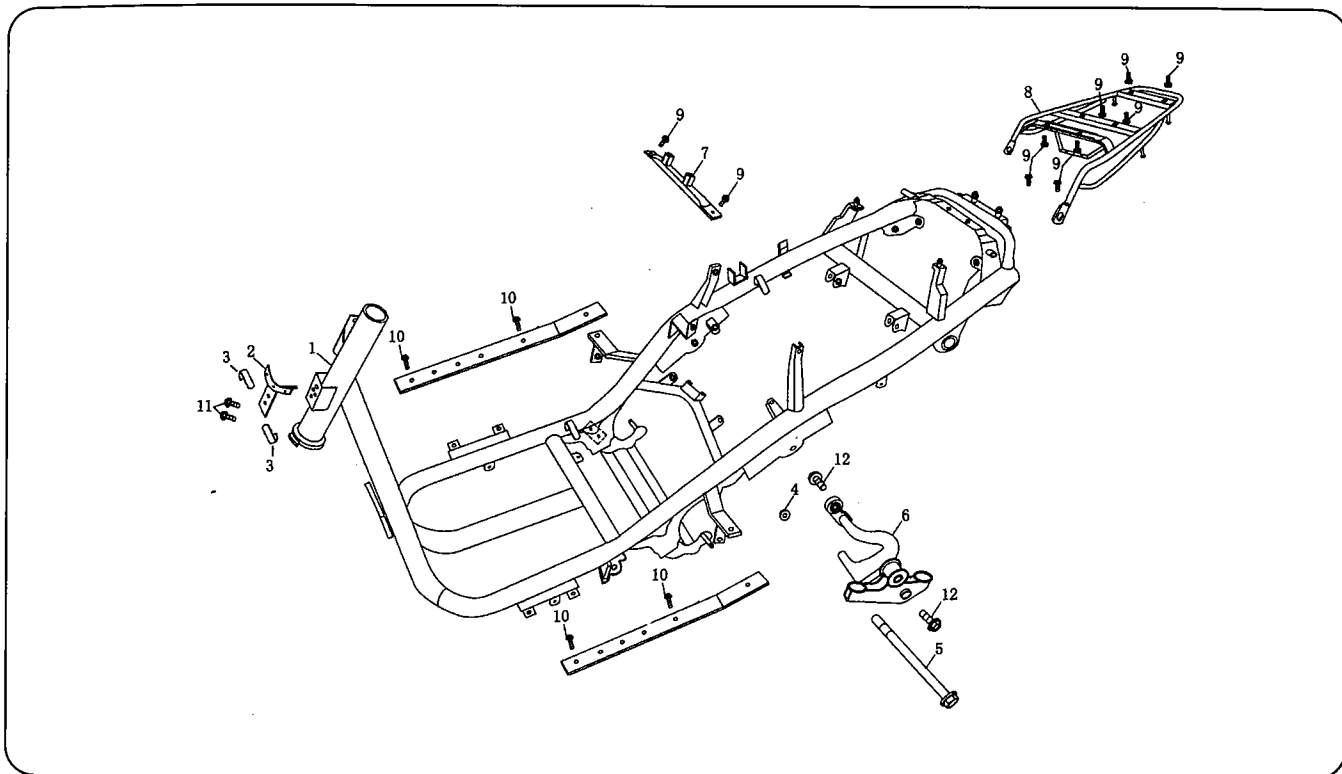
## 油箱 FUEL TANK



序号 RefNo	编号 Part No	中文名称 Chinese Description	英文名称 English Description	数量 Qty
1	61100-J204-000065	油箱	FUEL TANK	1
2	87200-J204-0000	燃油传感器	FUEL TRANSMILTER	1
3	87135-J204-0000	燃油传感器铁圈	TRANSMILTER PRESSABLE COVER	1
4	87136-J204-0000	燃油传感器胶圈	RUBBRE, TRANSMILTER	1
5	61140-J204-0000	油箱盖	FUEL COVER ASSY.	1
6	61117-J204-00000C	油箱下压板	WELDING, FUEL TANK	1
7	GB/T5789-2000	六角法兰面螺栓 M6×20	BOLT6×20	2
8	GB/T5789-2000	六角法兰面螺栓 M8×16	BOLT 8×16	2
9	61302-J204-0100	复合油管 $\phi 4 \times \phi 8 \times 150$	TUBE $\phi 4 \times \phi 8 \times 150$	1
10	61180-B140-0000	燃油过滤器	FUEL FILTER	1
11	61302-J204-0200	复合油管 $\phi 4 \times \phi 8 \times 80$	TUBE $\phi 4 \times \phi 8 \times 80$	1
12	61160-J204-0000	负压开关	NEGATIVE PRESSURE	1
13	61302-J204-0000	负压管 $\phi 3 \times \phi 7 \times 230$	TUBE $\phi 3 \times \phi 7 \times 230$	1
14	61302-J204-0000	复合油管 $\phi 4 \times \phi 8 \times 430$	TUBE $\phi 4 \times \phi 8 \times 430$	1



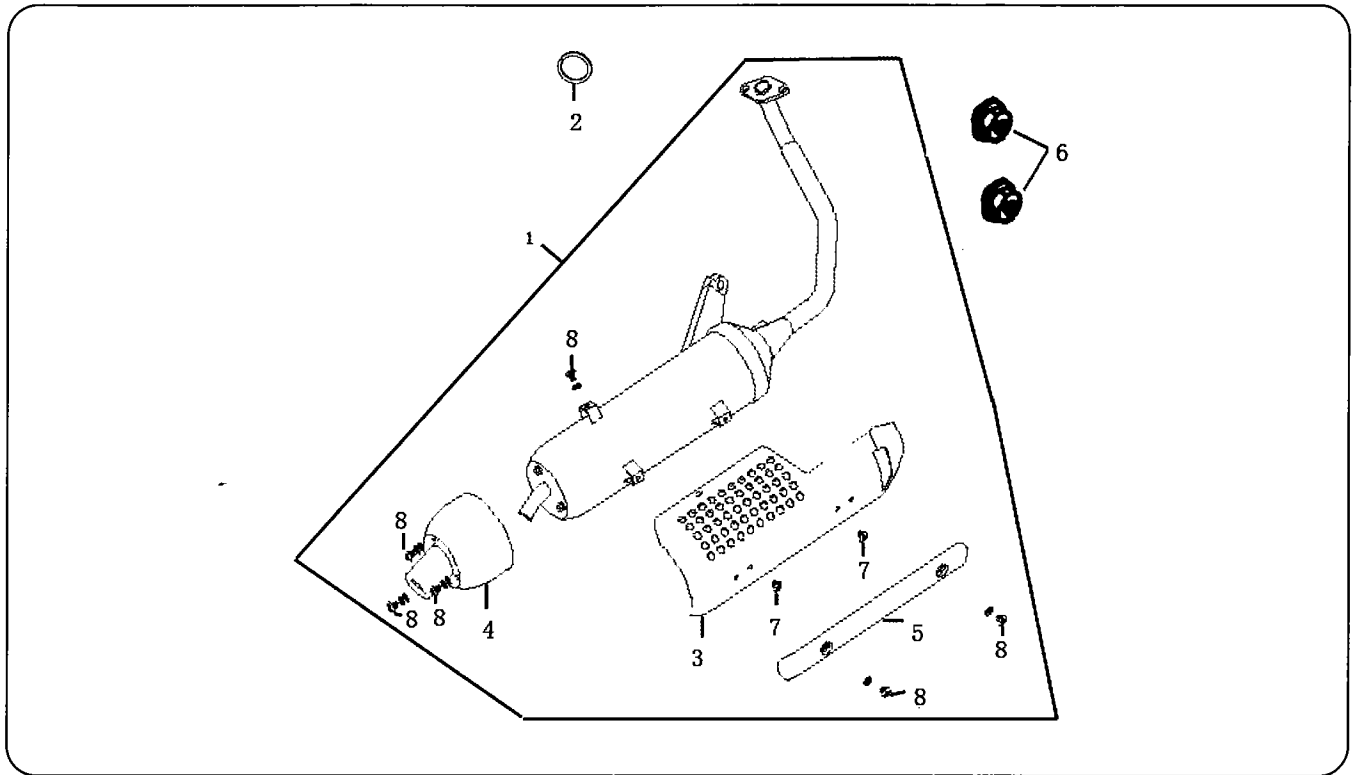
车架 FRAME



数量
Qty
1
1
1
1
1
1
2
2
1
1
1
1
1
1
1
1
1
1
1
1
1
1

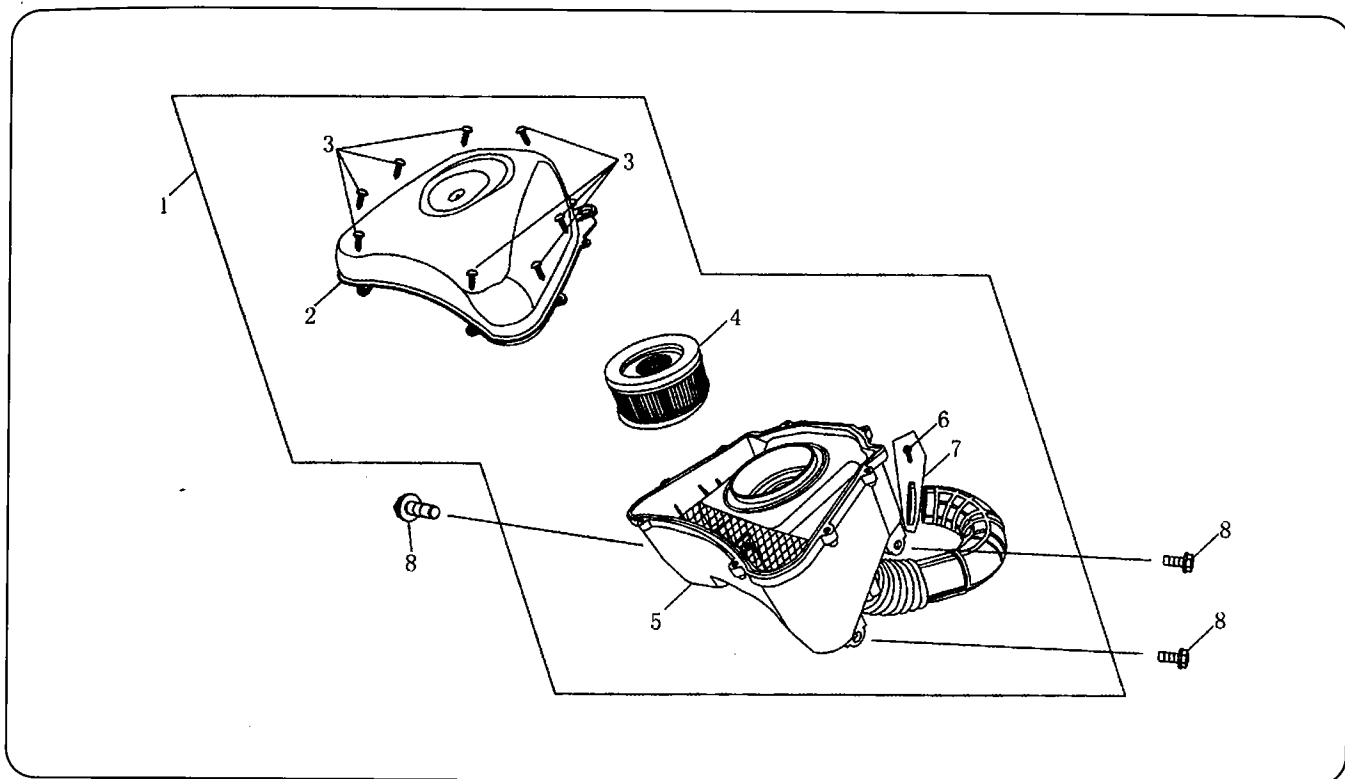
序号 RefNo	编号 Part No	中文名称 Chinese Description	英文名称 English Description	数量 Qty
1	31100-J204-0000	车架焊接组件	FRAME	1
2	71113-J204-000065	喇叭支架	BRACKET WELDING, HORN	1
3	31168-I538-0000	线夹		2
4	GB/T6177-1986	六角法兰面螺母 M10x1.25	NUT M10x1.25	1
5	GB/T5789-2000	发动机吊架轴 M10x1.25x185	SHAFT, ENGINE	1
6	32310-J204-000065	发动机吊架	HANDING RACK WELDING	1
7	31135-J204-000065	杂物箱前托架	BRACKET, LUGGAGE BOX	1
8	42120-J204-000065	后货架	BRACKET, CARRIER	1
9	GB/T5789-2000	六角法兰面螺栓 M6x12	BOLT M6x12	8
10	GB/T5789-2000	六角法兰面螺栓 M6x20	BOLT M6x12	4
11	GB/T5789-2000	六角法兰面螺栓 M8x16	BOLT M8x16	2
12	GB/T5789-2000	六角法兰面螺栓 M10x1.25x55	BOLT M10x1.25x55	2

排气消声器 MUFFLER



序号 RefNo	编号 Part No	中文名称 Chinese Description	英文名称 English Description	数量 Qty
1	18000-J240-0000	排气消声器	MUFFLER	1
2	18007-J240-0000	排气消声器隔热垫	GASKET EXH PIPE	1
3	18040-J240-0000	排气消声器护罩	SIDE COVER, MUFFLER	1
4	18008-J240-0000	排气消声器尾盖	RR. COVER, MUFFLER	1
5	1804C-J240-0000	排气消声器小护罩	SMALL SIDE COVER, MUFFLER	1
6	GB/T6177-2000	六角法兰面螺母 M6	NUT8	2
7	18046-J240-0000	排气消声器护罩石棉垫片	ASBESTIC WASHER	2
8		螺钉 M5×8	SCREW5×8	6

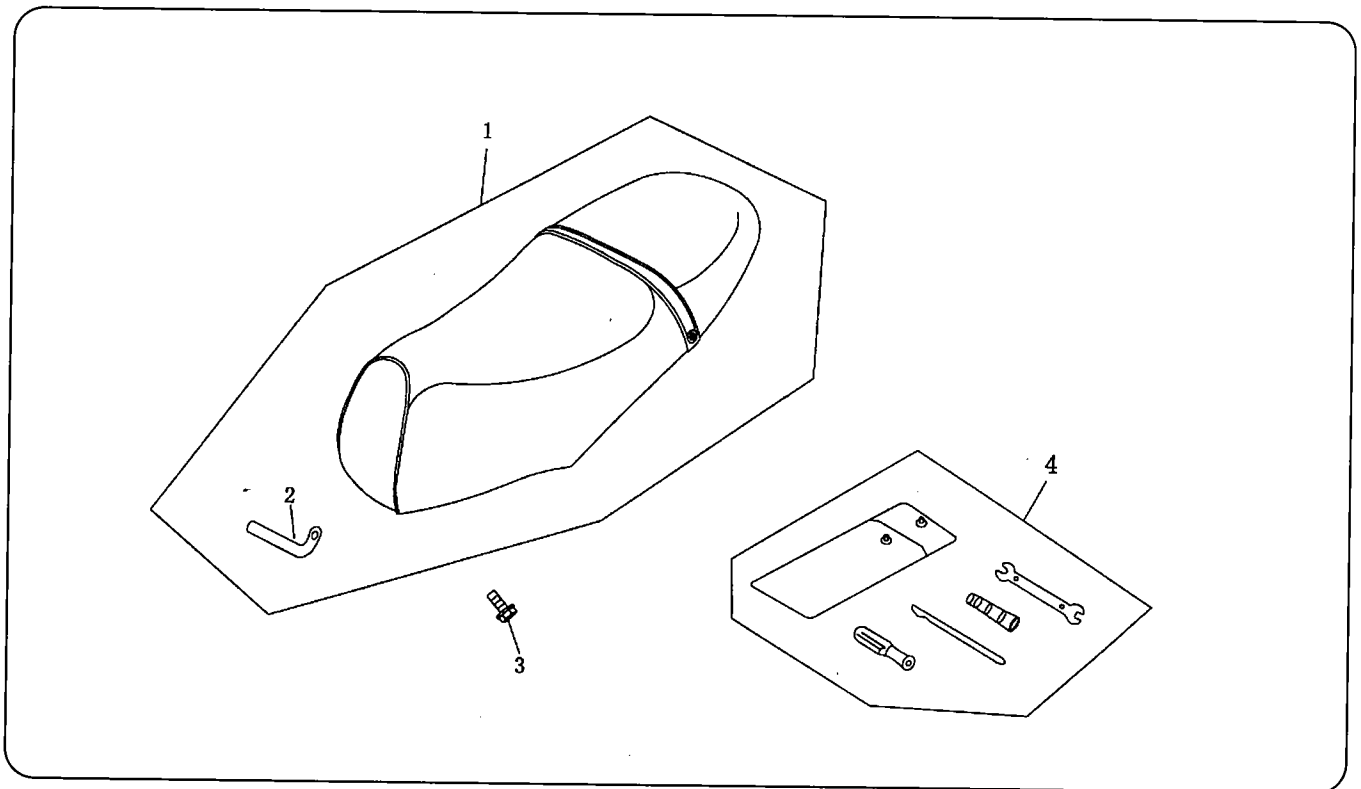
## 空滤器 AIR FILLTER



数量 Qty
1
1
1
1
1
2
2
6

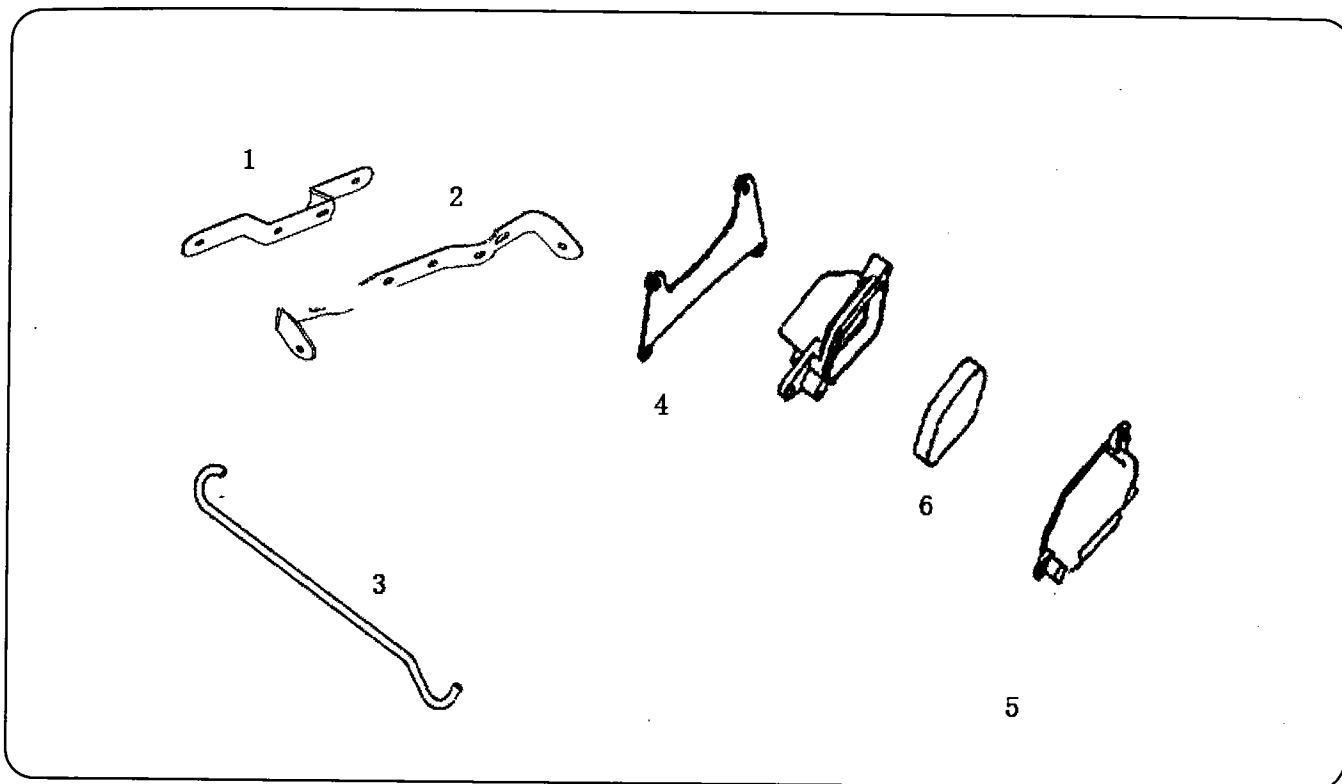
序号 RefNo	编号 Part No	中文名称 Chinese Description	英文名称 English Description	数量 Qty
1	16100-J204-0000	空滤器	AIR FILLTER	1
2	16105-J204-0000	空滤器盖	AIR FILLTER COVER	1
3	GB/845-1986	自攻螺钉 ST4.8×16	SCREW ST4.8×16	8
4	1611A-J204-0000	空滤器滤芯组件	STRAINER CORE	1
5	16116-J204-0000	空滤器外壳	AIR FILLTER CRUST	1
6	GB/T818-2000	六角法兰面螺栓 M5×35	BOLT5×35	1
7	16130-J204-0000	空滤器接头弹簧卡圈	CLIP	1
8	GB/T-5789-2000	六角法兰面螺栓 M6×16	BOLT6×16	3

## 双人座垫/随车工具 SEAT/TOOLS



序号 RefNo	编号 Part No	中文名称 Chinese Description	英文名称 English Description	数量 Qty
1	41100-J204-0000	双人座垫	SEAT	1
2	41111-J204-0000	座垫铰链	SHAFT, SEAT	1
3	GB/T-5789-2000	六角法兰面螺栓 M6×12	BOLT6×12	1
4	06000-I158-0000	随车工具	TOOLS	1

## 后牌照支架/二次补气空滤器



数量 Qty	序号 RefNo	编号 Part No	中文名称 Chinese Description	英文名称 English Description	数量 Qty
1	1	63206-J204-0100	后牌照内支架	REAR PLATE STAND INSIDE	1
1	2	63206-J204-0000	后牌照支架	REAR PLATE STAND	1
1	3	18063-J204-0100	控制阀连接管(成型管)	CONTRUL TUBE	1
1	4	16113-J204-0000	空滤器安装支架	PLATE, AIR FILLTER	1
	5	16100-J204-0100	二次补气空滤器	SECOND AIR FILLTER	1
	6	16172-J204-0100	二次补气空滤器滤芯	SECOND AIR FILLTER CORE	1
	7	18062-J204-0000	负压管连接软管	NEGATIVE VOLTAGE TUBE	1
	8	18060-J204-0000	二次补气阀	VALVE	1
	9	33308-J204-000065	后减震器悬挂板	BRACKET REAR DAMPING	1
	10	51222-J204-00000B	后轮衬套(内)	BUSH INSIDE	1
	11	51222-J204-01000B	后轮衬套(外)	BUSH OUTSIDE	1
	12	41490-J204-00000C	座垫锁座	LOCK STANDARD	1
	13	72030-I158-00000G	装饰头组件	BLOCK HANDLE	2
	14	42410-J204-0000	尾箱(成品)	REAR BOX	1