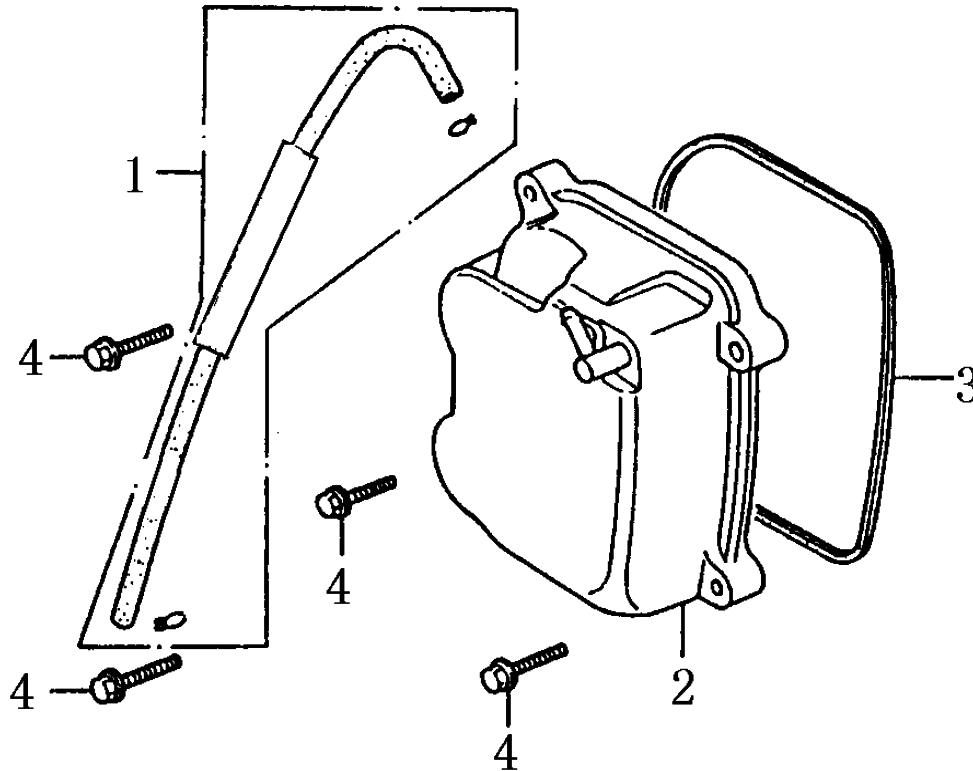


# CONTENTS

---

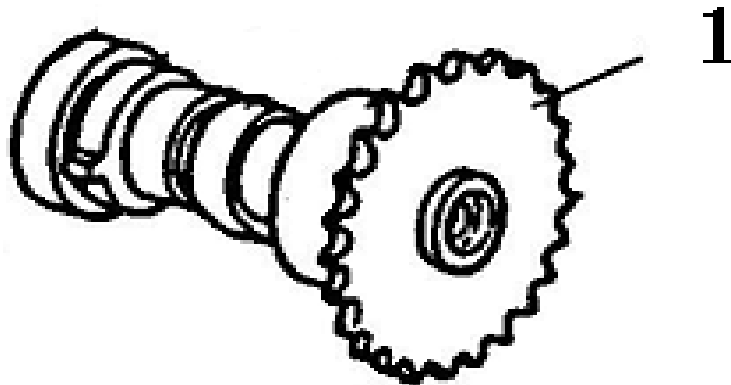
- FIG. 1 COVER COMP CYLINDER HEAD
- FIG. 2 CAMSHAFT COMP
- FIG. 3 HOLDER CAMSHAFT COMP
- FIG. 4 CYLINDER HEAD COMP
- FIG. 5 CARBURETOR
- FIG. 6 AIR CLEANER
- FIG. 7 LEFT CRANKCASE COVER
- FIG. 8 DRIVE PULLEY
- FIG. 9 CYLINDER COMP
- FIG. 10 CRANKSHAFT COMP
- FIG. 11 FAN COVER SHROUD
- FIG. 12 GENERATOR COMP
- FIG. 13 STARTING MOTOR/MOTOR STARTER COMP
- FIG. 14 RIGHT CRANKCASE COVER COMP
- FIG. 15 CRANKCASE COMP
- FIG. 16 TRANSMISSION COMP
- FIG. 17 PUMP COMP
- FIG. 18 CHAIN CAM COMP
- FIG. 19 BRUSH GUARD
- FIG. 20 FRAME GROUP
- FIG. 21 FRONT SUSPENSION
- FIG. 22 STEERING
- FIG. 23 REAR SUSPENSION/AXLE
- FIG. 24 MUFFLER & IGNITION
- FIG. 25 CONTROLS
- FIG. 26 WARNING/GRAPHIC DECALS
- FIG. 27 ELECTRICAL SCHEMATIC

## 1. COVER COMP CYLINDER HEAD



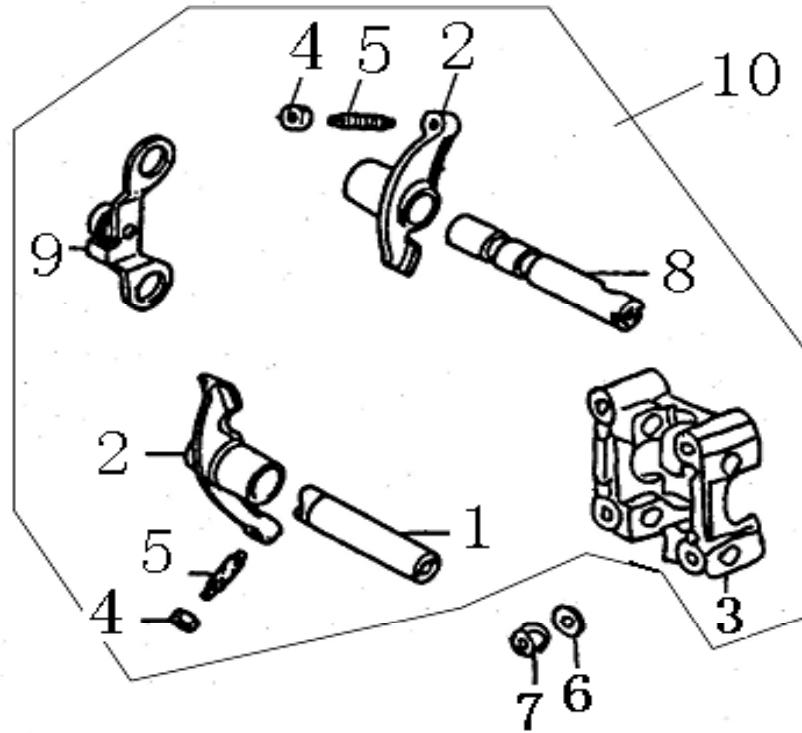
REF#	TPG#	DESCRIPTION	QTY
1-1	GK05823	TUBE BREATHER	1
1-2	GK05824	CYLINDER HEAD COVER	1
1-3	GK05825	GASKET HEAD COVER	1
1-4	BS00075	BOLT FLANGE M6X25	4

## 2. CAMSHAFT COMP



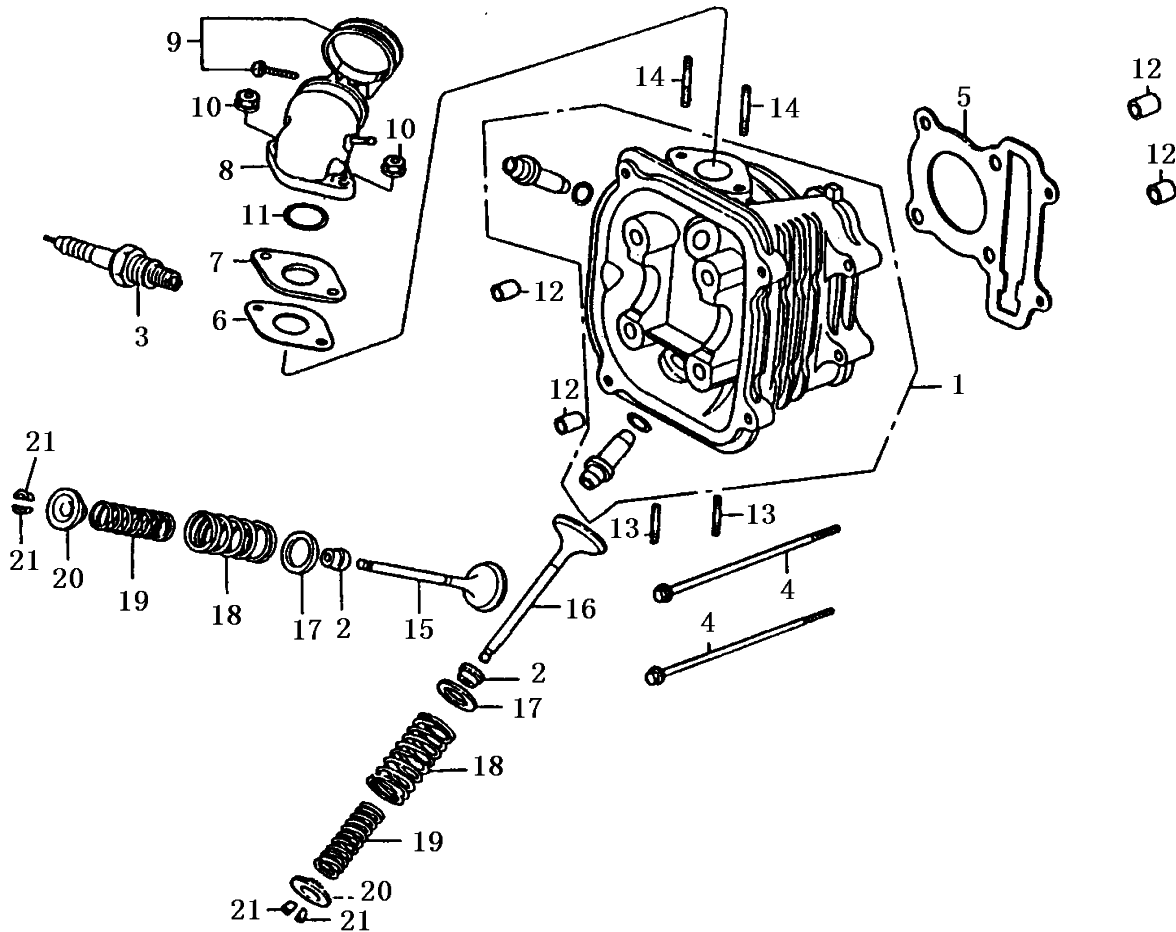
REF#	TPG#	DESCRIPTION	QTY
2-1	GK05827	CAMSHAFT	1

### 3. HOLDER CAMSHAFT COMP



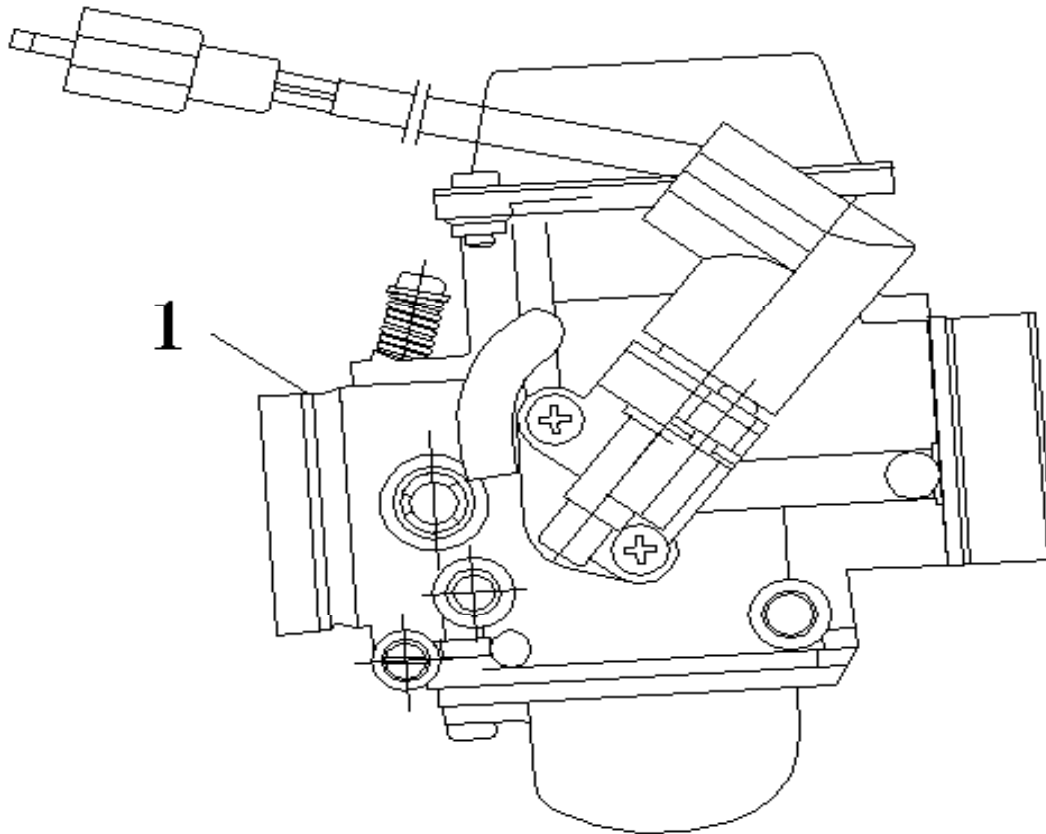
REF#	TPG#	DESCRIPTION	QTY
3-1	GK05828	SHAFT EX ROCKER ARM	1
3-2	GK05829	ARM VALVE ROCKER	2
3-3	GK05830	HOLDER CAMSHAFT	1
3-4	GK05831	NUT TAPPET ADJUSTING	2
3-5	GK05832	SCREW TAPPET ADJUSTING	2
3-6	GK05833	WASHER M8	4
3-7	GK05834	NUT FLANG M8	4
3-8	GK05835	SHAFT COMP IN ROCKER ARM	1
3-9	GK05836	PLATE COMP STOPPER	1
3-10	GK05837	HOLDER CAMSHAFT ASSY	1

#### 4. CYLINDER HEAD COMP



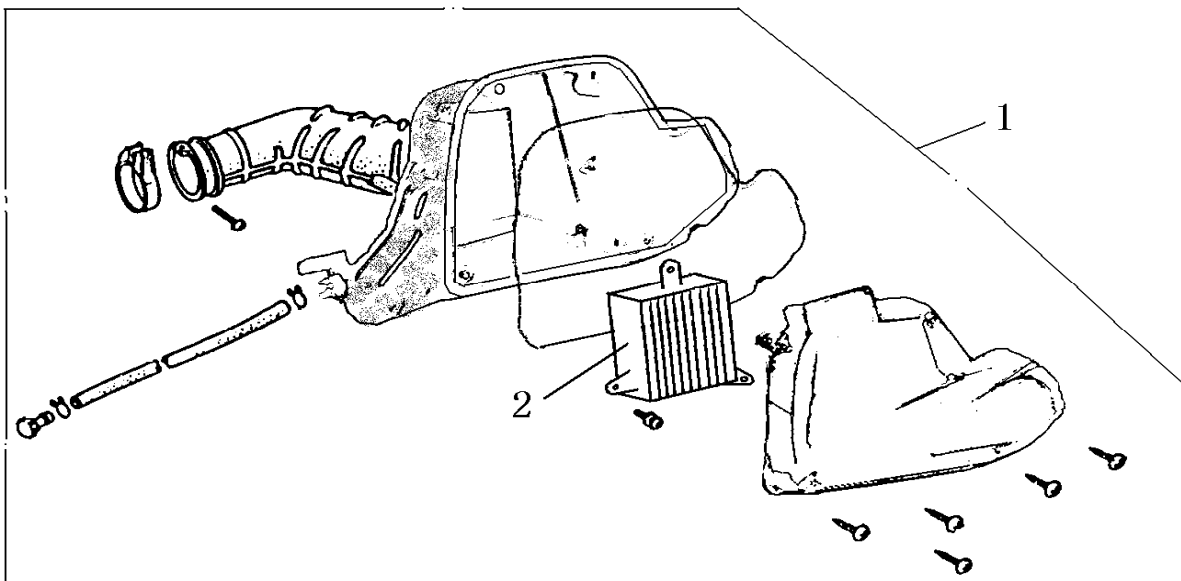
REF#	TPG#	DESCRIPTION	QTY
4-1	GK05838	HEAD COMP CYLINDER	1
4-2	GK05839	SEAL VALVE STEM	2
4-3	GK05840	PLUG SPARK	1
4-4	GK05841	BOLT FLANGE M6X100	2
4-5	GK05842	GASKET CYLINDER HEAD	1
4-6	GK05843	GASKET CARBURETOR INSULATOR	1
4-7	GK05844	INSULATOR CARBURETOR	1
4-8	GK05845	PIPE COMP IN	1
4-9	GK05846	BAND INSULATER	1
4-10	GK05847	NUT FLANGE M6	2
4-11	GK05848	O-RING 28.5X1.8	1
4-12	GK05849	PIN DOWEL 10X16	4
4-13	GK05850	BOLT 2 STUD M6X35	2
4-14	GK05851	BOLT 2 STUD M6X50	2
4-15	GK05852	VALVE EX	1
4-16	GK05853	VALVE IN	1
4-17	GK05854	SEAT VALVE SPRING OUTER	2
4-18	GK05855	SPRING VALVE OUTER	2
4-19	GK05856	SPRING VALVE INNER	2
4-20	GK05857	RETAINER VALVE SPRING	2
4-21	GK05858	COTTER VALVE	4

## 5. CARBURETOR



REF#	TPG#	DESCRIPTION	QTY
5-1	GK05859	CARBURETOR ASSY	1

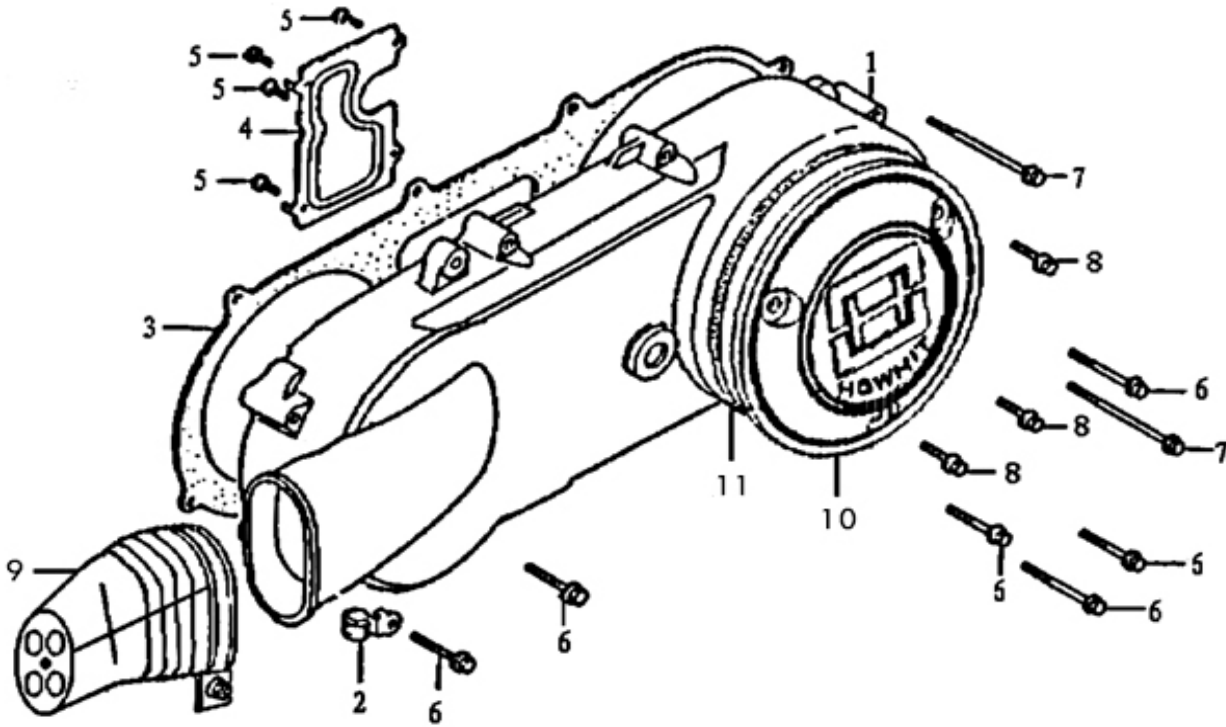
## 6. AIR CLEANER



REF#	TPG#	DESCRIPTION	QTY
------	------	-------------	-----

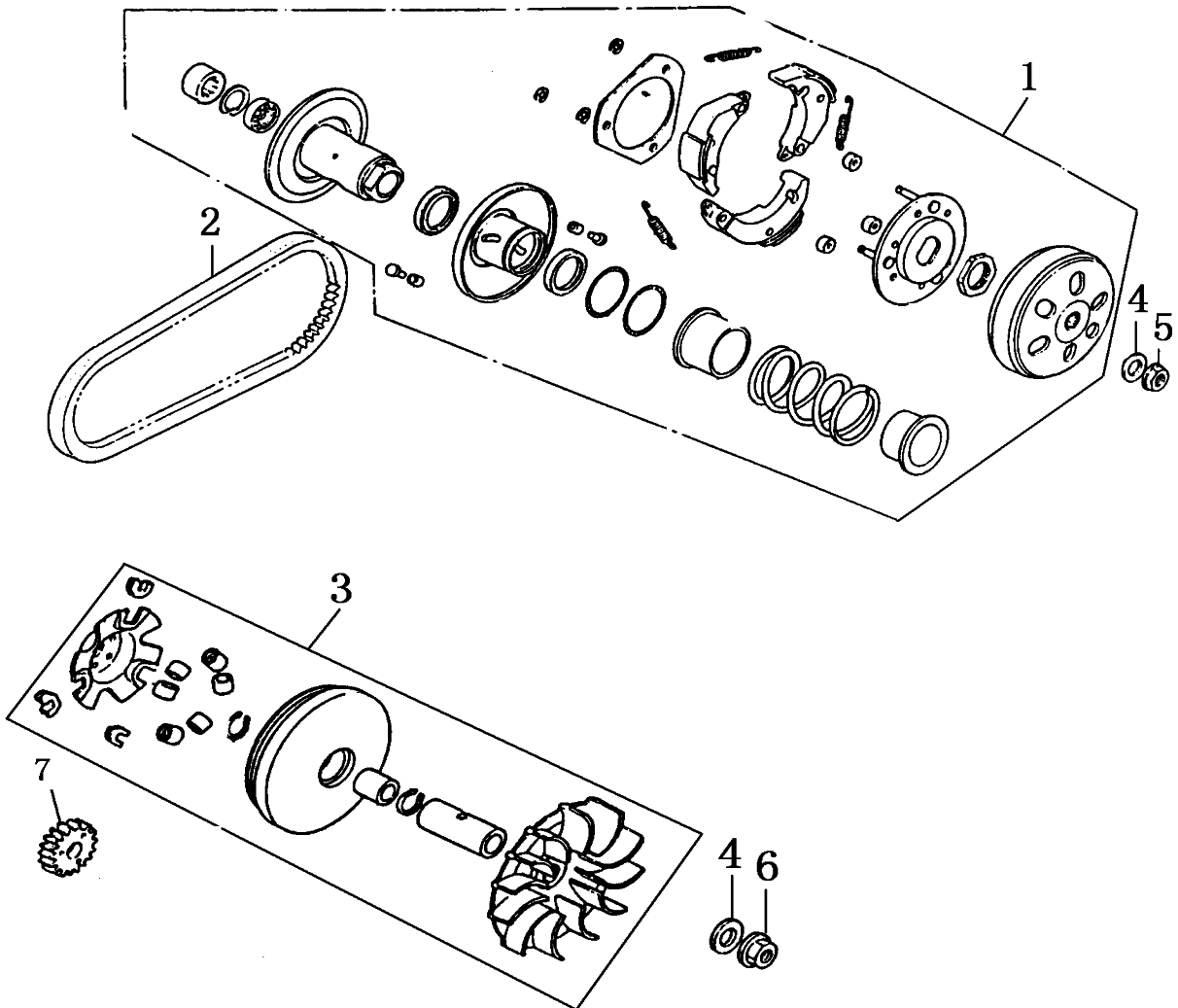
6-1	GK05860	AIR CLEANER	1
6-2	GK05861	ELEMENT COMP AIR CLEANER	1

## 7. LEFT CRANKCASE COVER



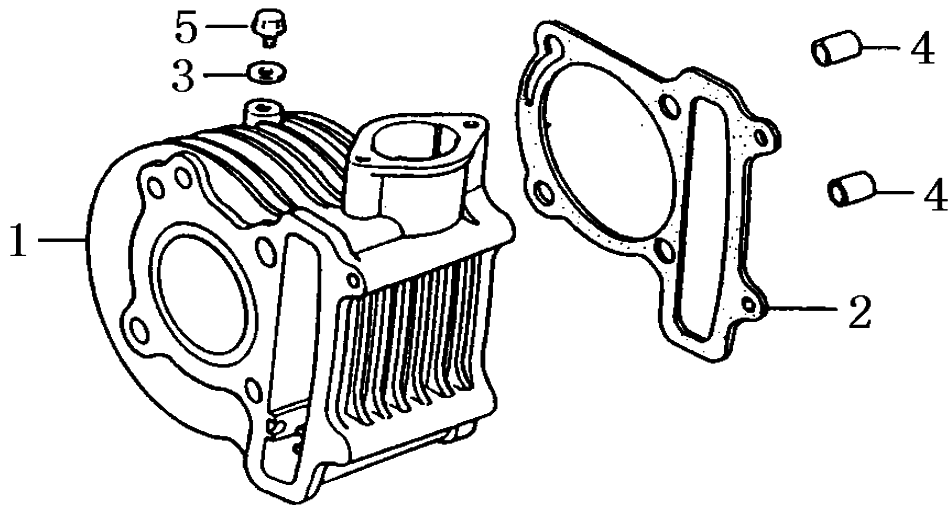
REF#	TPG#	DESCRIPTION	QTY
7-1	GK05862	COVER LEFT	1
7-2	GK05863	CLAMPER BREATHER DRAIN TUBE	1
7-3	GK05864	GASKET LEFT COVER	1
7-4	GK05865	PLATE LEFT COVER	1
7-5	GK05866	SCREW TAPPING 4X6	4
7-6	GK05867	BOLT FLANGE 6X40	6
7-7	GK05868	BOLT FLANGE 6X65	2
7-8	GK05869	BOLT FLANGE 6X16	3
7-9	GK05878	AIR STRAINER	1
7-10	GK05879	BRAND COVER	1
7-11	GK05880	GASKET BRAND COVER	1

## 8. DRIVE PULLEY



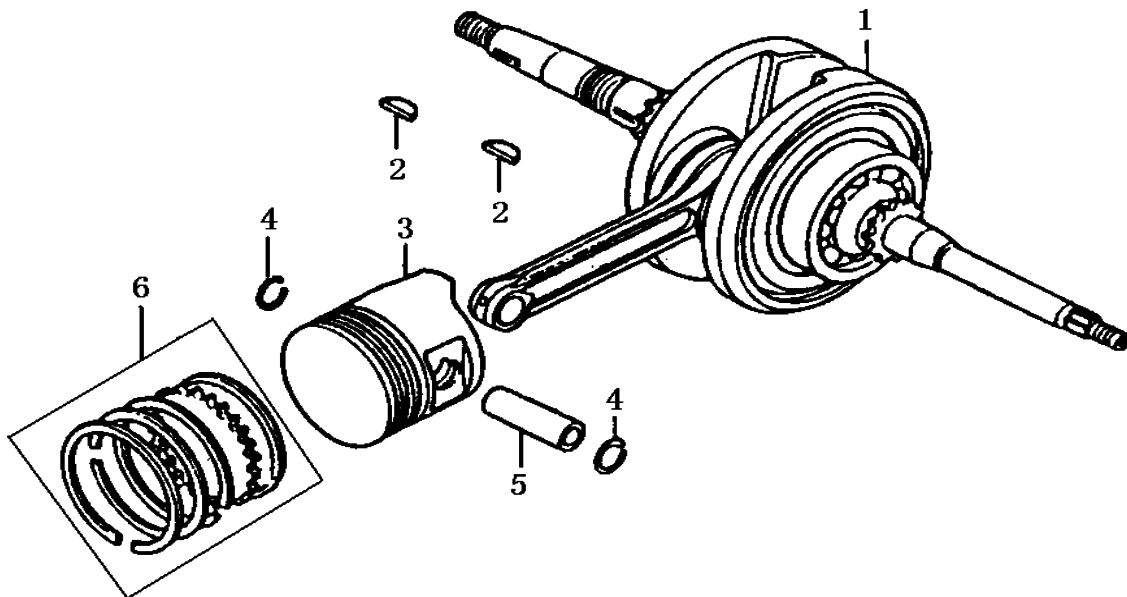
REF#	TPG#	DESCRIPTION	QTY
8-1	GK05881	PULLEY ASSY DRIVEN	1
8-2	GK05882	BELT DRIVE	1
8-3	GK05883	PULLEY ASSY.MOVEABLE DRIVEN	1
8-4	GK05884	WASHER PLAIN 12MM	2
8-5	BS00076	NUT FLANGE 12X1.25MM	1
8-6	GK05885	NUT FLANGE 12X1.25MM	1
8-7	GK05887	GEAR KICK	1

## 9. CYLINDER COMP



REF#	TPG#	DESCRIPTION	QTY
9-1	GK05888	CYLINDER COMP	1
9-2	GK05889	GASKET CYLINDER	1
9-3	GK05890	WASHER SEALING 6.5MM	1
9-4	BS00077	PIN DOWEL 10X16	2
9-5	GK05892	BOLT FLANGE6X12	1

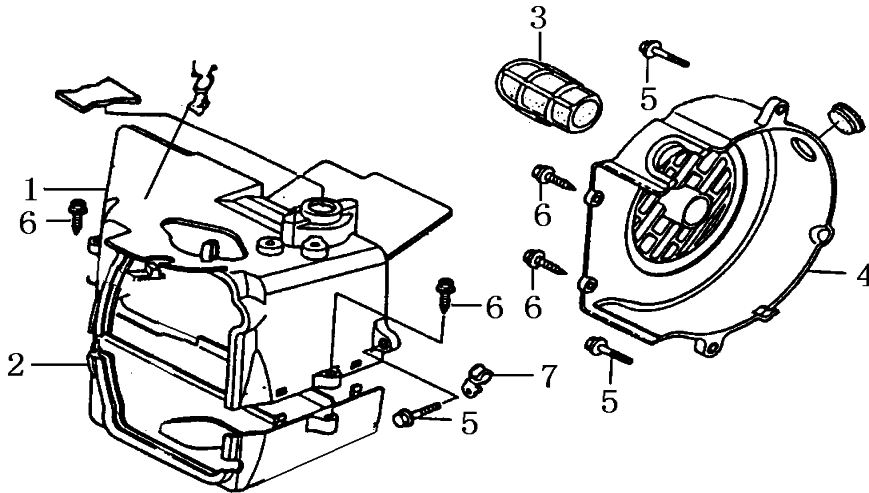
## 10. CRANKSHAFT COMP



REF#	TPG#	DESCRIPTION	QTY
10-1	GK05893	CRANK SHAFT COMP	1
10-2	GK05894	KEY WOODRUFF	2
10-3	GK05895	PISTON	1
10-4	GK05896	CLIP PISTON PIN 15MM	2
10-5	GK05897	PIN PISTON	1
10-6	GK05898	PISTON RING	1

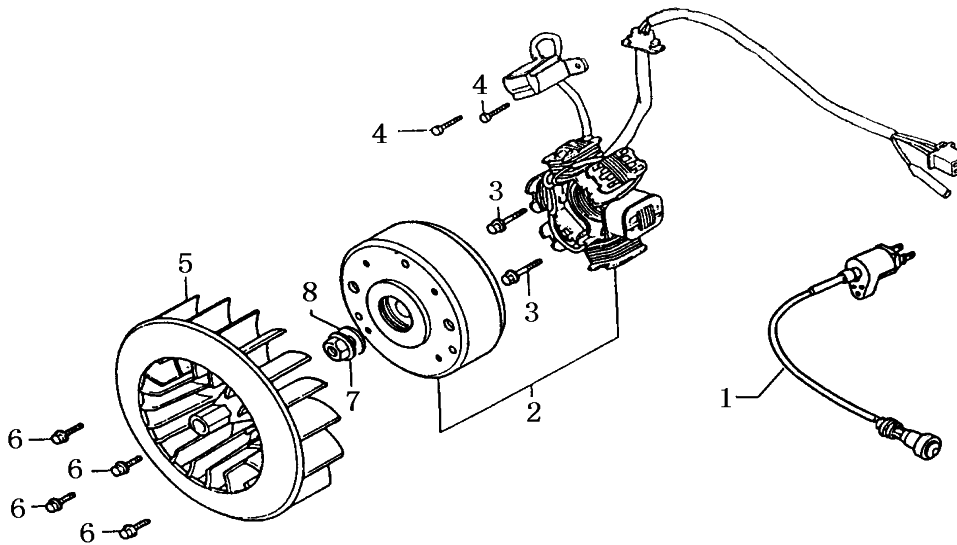


## 11. FAN COVER SHROUD



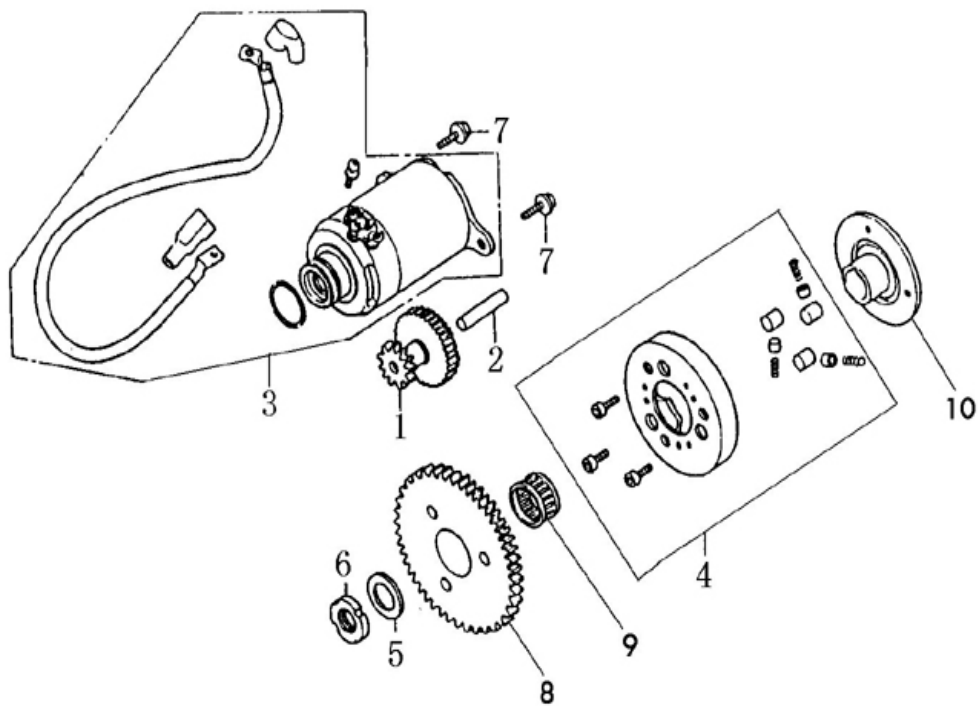
REF#	TPG#	DESCRIPTION	QTY
11-1	GK05899	UP SHROUD COMP	
11-2	GK05900	DOWN SHROUD COMP	
11-3	GK05901	DUCT CARBURETOR COOLING	1
11-4	GK05902	COVER COMP FAN	1
11-5	GK05903	BOLT FLANGE 6X25	3
11-6	GK05904	SCREW TAPPING ST4.8X16	4
11-7	GK05905	CLAMPER CARB DRAIN TUBE	1

## 12. GENERATOR COMP



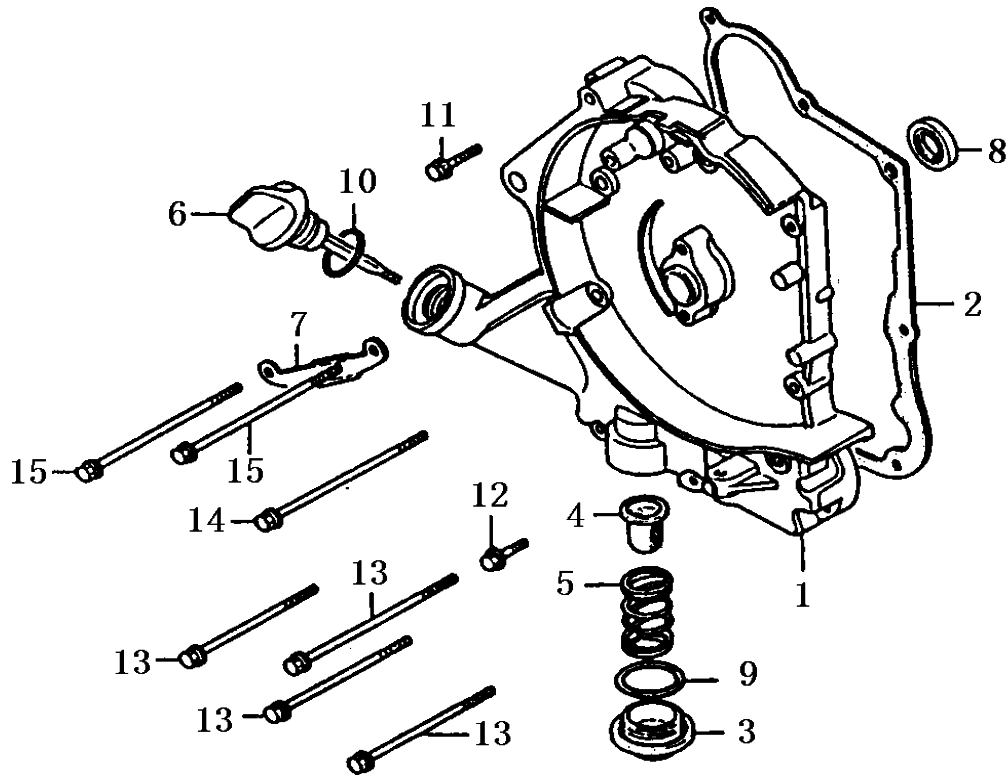
REF#	TPG#	DESCRIPTION	QTY
12-1	GK05906	COIL ASSY IGNITION	1
12-2	GK05907	GENERATOR ASSY FLYWHEEL TYPE A.C	1
12-3	GK05908	BOLT FLANGE 6X20	2
12-4	GK05909	BOLT FLANGE 5X12	2
12-5	GK05910	PAN COMP COOLING	1
12-6	GK05911	BOLT FLANGE 6X18	4
12-7	BS00078	NUT FLANGE 12X1.25	1
12-8	GK05913	WASHER PLAIN 12MM	1

### 13. STARTING MOTOR MOTOR STARTER COMP



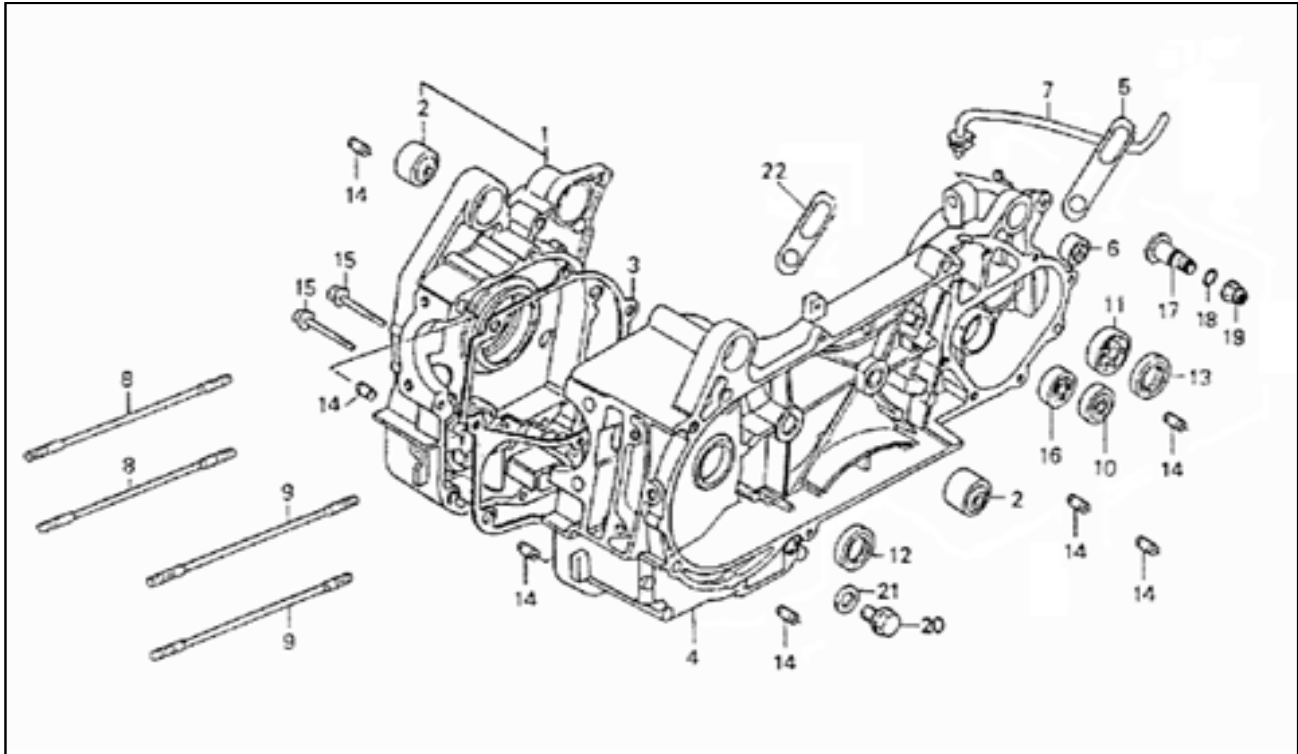
REF#	TPG#	DESCRIPTION	QTY
13-1	GK05929	GEAR STARTER REDUCTION	1
13-2	GK05930	SHAFT STARTER REDUCTION GEAR	1
13-3	GK05931	MOTOR ASSY STARTER	1
13-4	GK05932	STARTER CLUTCH	1
13-5	GK05933	WASHER THRUST	1
13-6	GK05934	NUT LOCK	1
13-7	BS00079	BOLT FLANGE 6X16	2
13-8	BK00037	GEAR COMP. STARTING CLUTCH	1
13-9	BS00081	BEARING NEEDLE 28X32X17	1
13-10	BK00038	FLANGE STARTING CLUTCH	1

## 14. RIGHT CRANKCASE COVER COMP



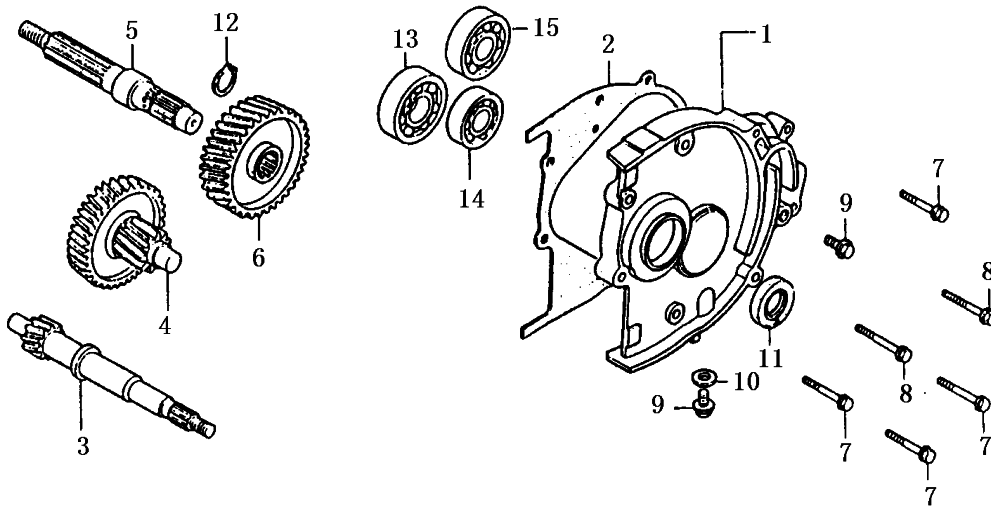
REF#	TPG#	DESCRIPTION	QTY
14-1	GK05914	RIGHT CRANK CASE COVER	1
14-2	GK05915	GASKET R CRANKCASE COVER	1
14-3	GK05916	CAP TAPPET ADJUSTING HOLE	1
14-4	GK05917	SCREEN OIL FILTER	1
14-5	GK05918	SPRING OIL FILTER SCREEN	1
14-6	GK05919	GAUGE OIL LEVEL	1
14-7	GK05920	CLAMPER A.C. GENERATOR CORD	1
14-8	GK05921	OIL SEAL 19.8X30X5	1
14-9	GK05922	O-RING 18X3	1
14-10	GK05923	O-RING	1
14-11	GK05924	BOLT FLANGE 6X35	1
14-12	GK05925	BOLT FLANGE 6X32	1
14-13	GK05926	BOLT FLANGE 6X95	4
14-14	GK05927	BOLT FLANGE 6X110	2
14-15	BS00081	BOLT FLANGE 6X100	1

## 15. CRANKCASE COMP



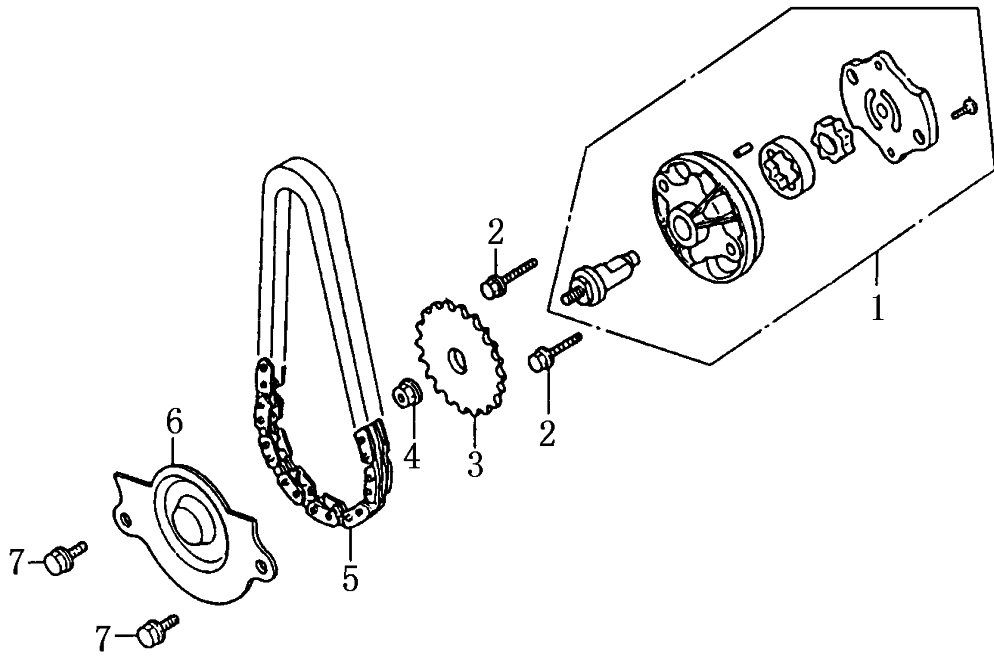
REF#	TPG#	DESCRIPTION	QTY
15-1	GK05951	CRANKCASE ASSY RIGHT	1
15-2	GK05952	BUSH ENGINE HANGER RUBBER	1
15-3	GK05953	GASKET CRANKCASE	1
15-4	GK05954	CRANKCASE ASSY LEFT	1
15-5	GK05955	AIR CLEANER CONNECT FRONT	1
15-6	GK05956	BUSH RR CUSHION UNDER RUBBER	1
15-7	GK05957	TUBE BREATHER	1
15-8	GK05958	BOLT STUD 8X187	2
15-9	GK05959	BOLT STUD 8X195	2
15-10	BS00082	BEARING RADIAL BALL 102	1
15-11	BS00083	BEARING RADIAL BALL 180104	1
15-12	BS00084	OIL SEAL 19.8X30X5	1
15-13	GK05963	OIL SEAL 27X42X7	1
15-14	GK05964	PIN DOWEL 8X14	8
15-15	BS00085	BOLT FLANGE 6X50	2
15-16	BS00086	BEARING RADIAL BALL 301	1
15-17	GK05967	PIN BRAKE SHOE ANCHOR	1
15-18	GK05968	O-RING 7.5X1.5	1
15-19	BS00087	NUT FLANGE M8	1
15-20	GK05970	BOLT DRAIN PLUG 12MM	1
15-21	GK05971	WASHER DRAIN PLUG 12MM	1
15-22	GK05972	AIR CLEANER CONNECT REAR	1

## 16. TRANSMISSION COMP



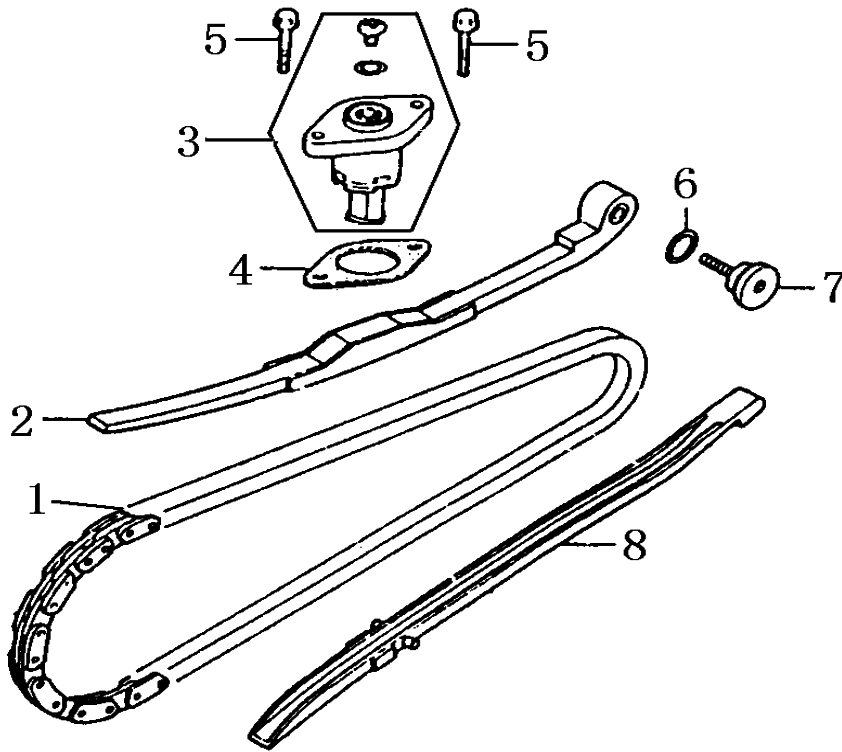
REF#	TPG#	DESCRIPTION	QTY
16-1	GK05936	COVER MISSION ASSY	1
16-2	GK05937	GASKET MISSION COVER	1
16-3	GK05938	SHAFT DRIVE	1
16-4	GK05939	SHAFT COMP COUNTER	1
16-5	GK05940	SHAFT FINAL	1
16-6	GK05941	GEAR FINAL	1
16-7	BS00088	BOLT FLANGE 6X35	3
16-8	GK05943	BOLT FLANGE 6X28	3
16-9	GK05944	BOLT DRAIN PLUG M8	2
16-10	GK05945	WASHER 8MM	2
16-11	GK05946	OIL SEAL 20X32X16	1
16-12	GK05947	CIR CLIP EXTERNAL 20MM	1
16-13	GK05948	BEARING RADIAL 204	1
16-14	GK05949	BEARUING RADIAL 202	1
16-15	GK05950	BEARUING RADIAL 203	1

## 17. OIL PUMP COMP



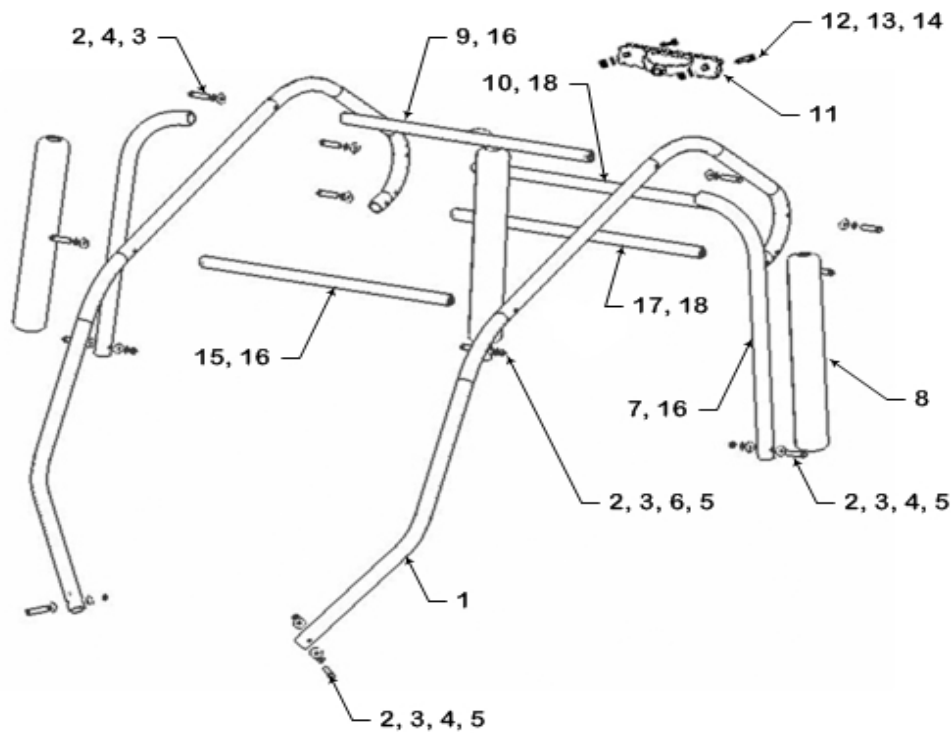
REF#	TPG#	DESCRIPTION	QTY
17-1	GK05973	OIL PUMP COMP	1
17-2	BS00075	BOLT FLANGE 6X25	2
17-3	GK05975	SPROCKET OIL PUMP DRIVEN	1
17-4	BS00089	NUT FLANGE M6	1
17-5	GK05977	CHAIN OIL PUMP	1
17-6	GK05978	SEPARTOR OIL	1
17-7	BS00090	BOLT FLANGE 6X12	2

## 18. CHAIN CAM COMP



REF#	TPG#	DESCRIPTION	QTY
18-1	GK05980	CHAIN CAM	1
18-2	GK05981	TENSIONER CAM CHAIN COMP	1
18-3	GK05982	LIFTER ASSY TENSIONER	1
18-4	GK05983	GASKET TENSIONER LIFTER	1
18-5	GK05984	BOLT FLANGE 6X22	2
18-6	GK05985	O-RING 15.2X1.5	1
18-7	GK05986	PIVOT CAM CHAON TENSIONER	1
18-8	GK05987	GUIDE COMP CAM CHAIN	1

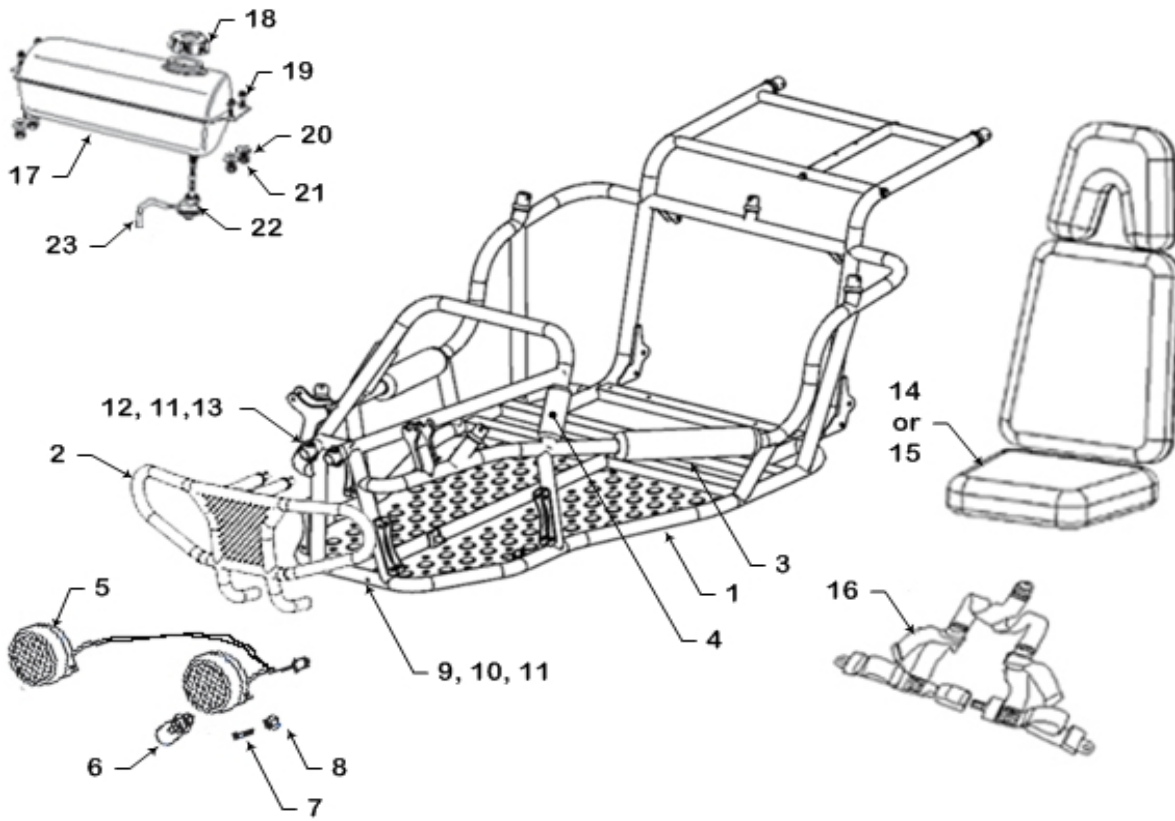
## 19. BRUSH GUARD



REF#	TPG#	DESCRIPTION	QTY
19-1.1	BP00003	GUARD SIDE RAIL LH	1
19-1.2	BP00002	GUARD SIDE RAIL RH	1
19-2	BS00091	BOLT M8 X 45	13
19-3	BS00092	WASHER LOCK M8	13
19-4	BS00093	WASHER SPHERICAL M8-32	16
19-5	BS00094	NUT M8	5
19-6	BS00095	WASHER SPHERICAL M8-25	2
19-7.1	BL00040	GUARD VERTICAL RAIL LH	1
19-7.2	BL00041	GUARD VERTICAL RAIL RH	1
19-8	BR00053	PADDING FRAME LONG	3
19-9	BL00085	FRAME CROSS MEMBER T-BAR	1
19-10	BL00135	FRAME BRAKE LIGHT MNT TUBE	1
19-11	BK00035	BRAKE LIGHT	1
19-12	NA	BOLT M4 X 25 (Included in 19-11)	2
19-13	NA	WASHER LOCK M4 (Included in 19-11)	2
19-14	NA	NUT M4 (Included in 19-11)	2
19-15	BL00083	FRAME CROSS MEMBER UPPER	1
19-16	BL00135	FRAME END CAP SEAT, LARGE	6
19-17	BL00137	FRAME CROSS MEMBER UPPER	1
19-18	BL00138	FRAME END CAP SEAT, SMALL	4



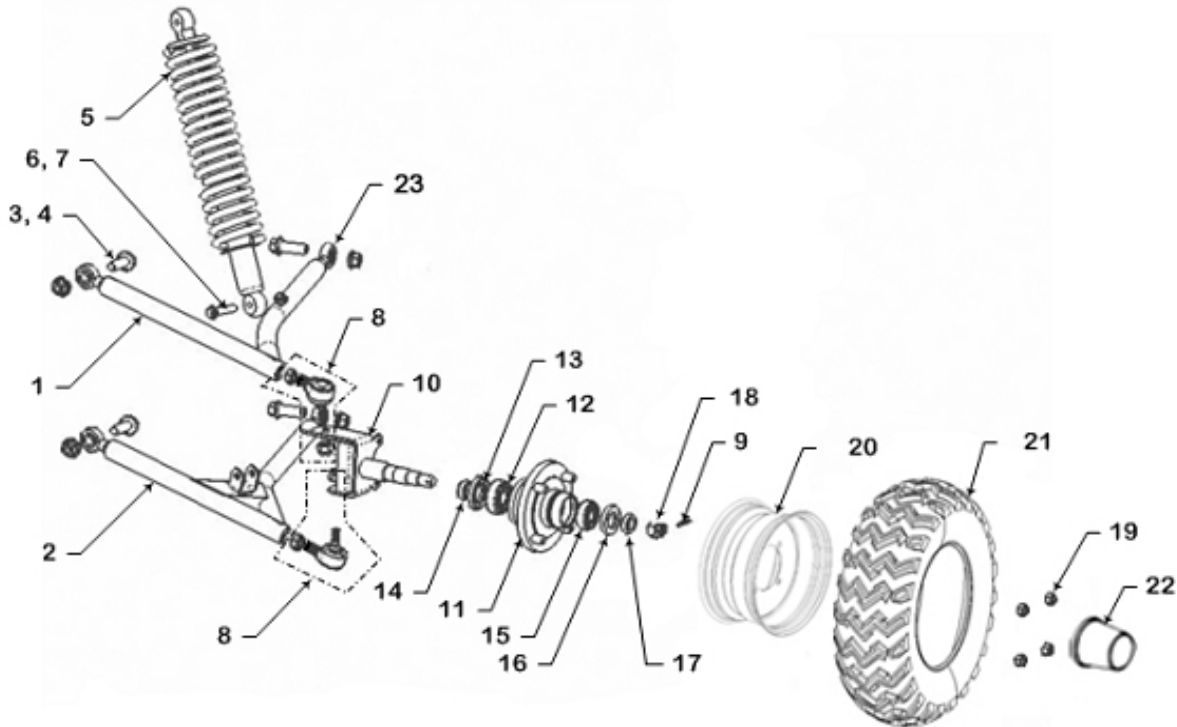
## 20. FRAME GROUP



REF#	TPG#	DESCRIPTION	QTY
20-1	BL00072	MAIN FRAME	1
20-2	BL00131	FRONT BRUSHGUARD	1
20-3	BR00054	PADDING FRAME 6"	2
20-4	BR00052	PADDING FRAME SHORT	2
20-5	BK00030	HEADLIGHT SET	1
20-6	BK00033	HEADLIGHT BULB	2
20-7	BS00100	BOLT M6 X 40	2
20-8	BS00102	NUT LOCKING FLANGE M6	2
20-9	BS00099	BOLT HHCS M8 X 50	2
20-10	BS00092	WASHER LOCK M8	10
20-11	BS00093	WASHER SPHERICAL M8	12
20-12	BS00091	BOLT HHCS M8 X 45	6
20-13	BS00094	NUT M8	2
20-14	BM00003	SEAT, DRIVER, ADJUSTABLE	1
20-15	BM00006	SEAT, PASSENGER, NON-ADJUSTABLE	1
20-16	BM00005	SEAT BELT	2

20-17	BE00004	GAS TANK	1
20-18	BE00005	GAS TANK CAP	1
20-19	BS00101	BOLT-WASHER M8x1.25x25	4
20-20	BS00103	RUBBER MOUNT WASHER FLAT	4
20-21	BS00104	NUT, FLANGE LOCK M8	4
20-22	BE00007	COCK, FUEL SA	1
20-23	BE00008	TUBE COMP. FUEL. #1	1
20-24	BE00011	FUEL FILTER (not shown)	1

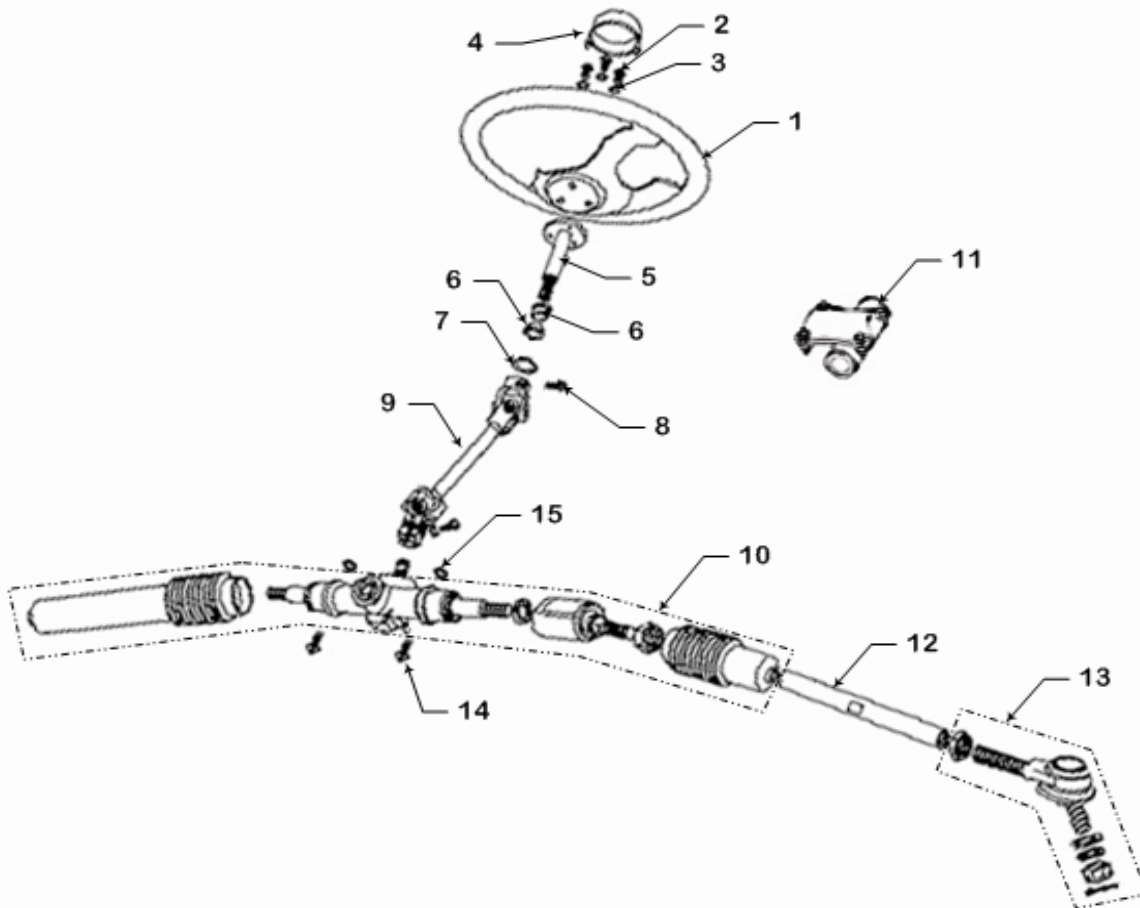
## 21. FRONT SUSPENSION



REF#	TPG#	DESCRIPTION	QTY
21-1	BJ00005	A-ARM UPPER	2
21-2.1	BJ00006	A-ARM LOWER LH	1
21-2.2	BJ00026	A-ARM LOWER RH	1
21-3	BS00105	BOLT HHFS M12 X 40	8
21-4	BS00106	NUT FLANGE M12	8
21-5	BJ00021	SHOCK FRONT	2
21-6	BS00107	BOLT HHFS M8 X 40	2
21-7	BS00087	NUT FLANGE M8	2
21-8	BJ00047	BALL JOINT	4
21-9	BS00109	PIN SPLIT 3.2 X 25	2
21-10.1	BB00015	SPINDLE FRONT LH	1
21-10.2	BB00013	SPINDLE FRONT RH	1
21-11	BB00028	WHEEL HUB WITH STUDS	2
21-12	BS00110	BEARING	2
21-13	BS00111	BEARING SEAL	2
21-14	BS00112	BUSHING BRASS	2

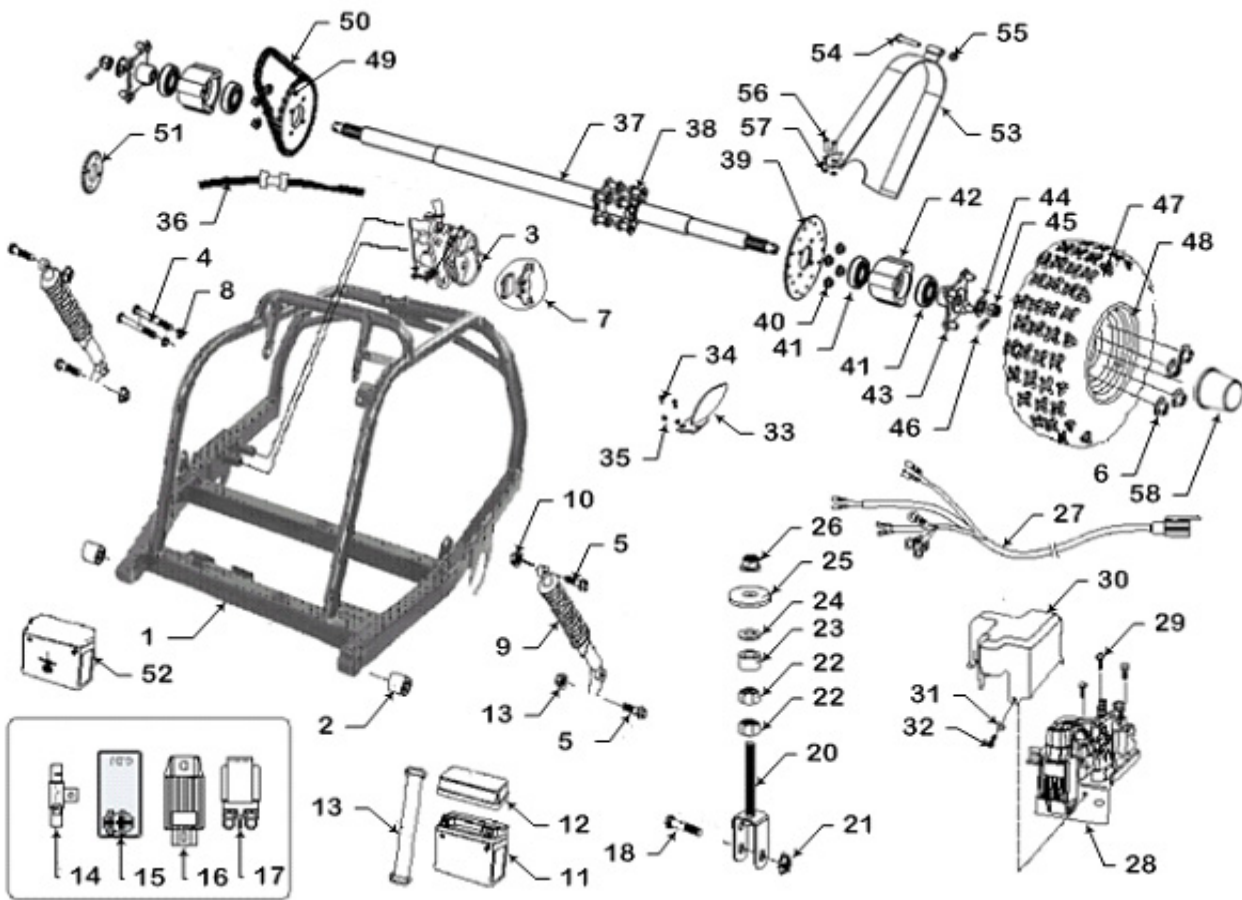
21-15	BS00113	BEARING	2
21-16	BS00114	BEARING SEAL	2
21-17	BS00115	BUSHING BRASS	2
21-18	BS00116	NUT CASTLE M14	2
21-19	BS00117	NUT M10	8
21-20	BA00026	WHEEL	2
21-21	BA00022	TIRE FRONT	2
21-22	BA00028	CAP, HUB	2
21-23	BJ00051	ROD END BEARING M12	8

## 22. STEERING



REF#	TPG#	DESCRIPTION	QTY
22-1	BG00017	STEERING WHEEL	1
22-2	BS00119	BOLT HHCS M6x12	3
22-3	BS00120	WASHER LOCK M6	3
22-4	BG00029	COVER. STEERING BOLT	1
22-5	BG00021	STEERING SHAFT	1
22-6	BS00063	BUSH. STEERING SHAFT	2
22-7	BS00121	CIRCLIP 20	1
22-8	BS00122	BOLT HHCS M8x25	2
22-9	BG00016	STEERING KNUCKLE	1
22-10	BG00018	STEERING GEAR	1
22-11	BG00022	STEERING COLUMN MOUNT SUPPORT	1
22-12	BJ00048	TIE ROD	2
22-13	BJ00049	ROD END ASSY.	2
22-14	BS00101	BOLT HHCS M8x60	2
22-15	BS00094	NUT M8	2

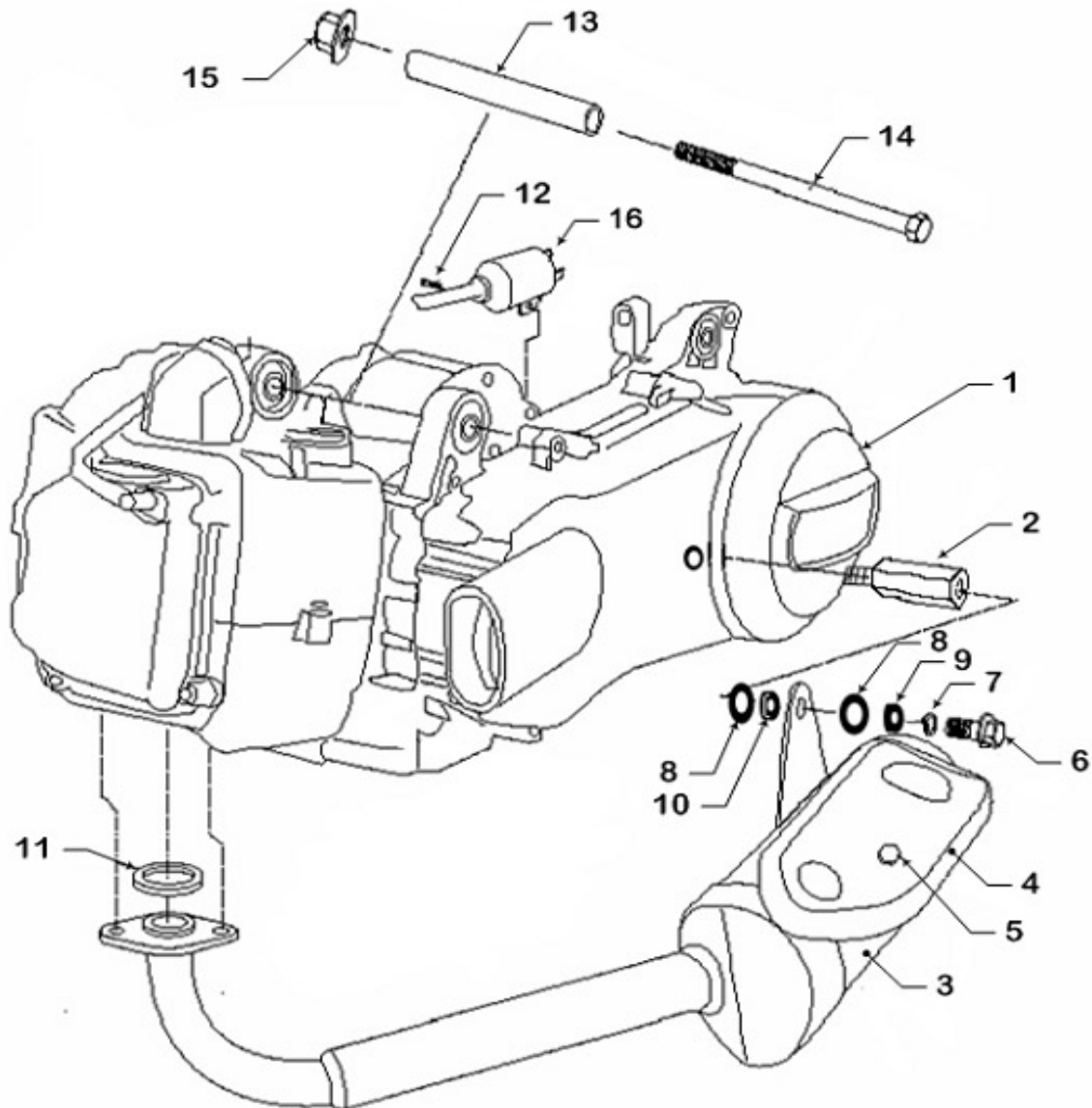
## 23. REAR SUSPENSION / AXLE



REF#	TPG#	DESCRIPTION	QTY
23-1	BL00038	RR. SWINGARM	1
23-2	BJ00050	RUBBER BUSH, RR. SWINGARM	2
23-3	BB00034	BRAKE SYSTEM: Caliper, Master Cyl. & Hose	1
23-4	BS00132	STRAP BOLT M8x1.25x156	2
23-5	NA	FLANGE BOLT M10x1.25x40	4
23-6	NA	LOCKING FLANGE NUT M10	2
23-7	BB00035	BRAKE PADS	2
23-8	BS00092	LOCKING WASHER M8	2
23-9	BJ00029	REAR SHOCK	2
23-10	BS00126	NUT FLANGE M10X1.25	4
23-11	NA	BATTERY (SOURCED LOCALLY FROM SERVICE CENTER ONLY-YTX7L-BS)	1
23-12	BK00039	BATTERY COVER	1
23-13	BK00040	BATTERY STRAP	1
23-14	BK00041	RESISTER	1
23-15	BK00042	CDI	1
23-16	BK00043	RECTIFIER COMP., REGULATE	1
23-17	BK00044	STARTING RELAY	1
23-18	BS00135	FLANGE BOLT M10x1.25x45	1
23-19	NA		1
23-20	BS00137	RR. ENGINE BRACKET	1

23-21	BS00168	LOCKNUT M10X1.25	1
23-22	BS00138	JAM NUT M12	2
23-23	BS00140	ENGINE MOUNT SPACER LINK	1
23-24	BS00141	ENGINE MOUNT CUSHION LINK	1
23-25	BS00142	FLAT WASHER M12	1
23-26	BS00106	NUT FLANGE M12X1.25	1
23-27	BK00045	WIRING HARNESS	1
23-28	BK00046	ELECTRICAL BOX (NO COMPONENTS)	1
23-29	BS00143	BOLT STUD M5X15	3
23-30	BK00047	COVER, ELECTRICAL BOX	1
23-31	BS00144	WASHER M4	1
23-32	BS00145	BOLT STUD M4X10	1
23-33	BB00036	REAR DISC COVER	1
23-34	BS00146	FLANGE BOLT M6x16	2
23-35	BS00147	LOCKING NYLON NUT, M6	2
23-36	NA	BRAKE LINE REAR (SEE 23-3)	1
23-37	BB00016	AXLE	1
23-38	BS00148	BOLT HHFS M8 X 25	8
23-39	BB00018	BRAKE DISK	1
23-40	BS00104	NUT FLANGE M9	8
23-41	BS00149	BEARING	4
23-42	BB00019	BEARING BASE	2
23-43	BB00022	WHEEL HUB WITH STUDS	2
23-44	BS00150	WASHER 16	2
23-45	BS00151	NUT FLANGE M16X1.5	2
23-46	BS00152	PIN SPECIAL4X35	2
23-47	BA00023	RR. TIRE	2
23-48	BA00027	RR. RIM	2
23-49	BC00158	SPROCKET, DRIVEN	1
23-50	BC00159	CHAIN, DRIVE (O-RING)	1
23-51	BC00157	SPROCKET, DRIVE	1
23-52	BK00036	CHARGER, BATTERY	1
23-53	BC00162	GUARD, CHAIN	1
23-54	BS00153	BOLT, HHFS M8X60	1
23-55	BS00104	NUT, FLANGE LOCK M8	1
23-56	BS00075	BOLT, HHFS M6X25	2
23-57	BS00076	NUT, FLANGE LOCK M6	2
23-58	BA00028	CAP, HUB	2

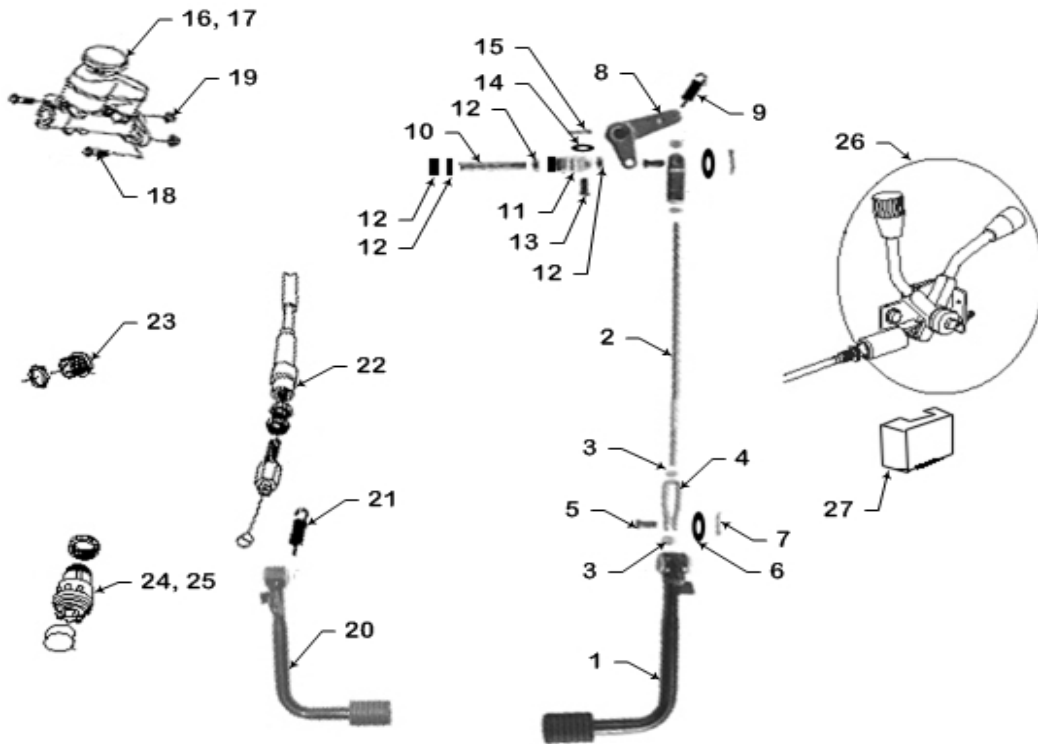
## 24. MUFFLER



REF#	TPG#	DESCRIPTION	QTY
24-1	BC00163	ENGINE	1
24-2	BF00012	MUFFLER MOUNT	1
24-3	BF00009	MUFFLER	1
24-4	BF00010	PROTECTOR MUFFLER	1
24-5	BS00119	BOLT HHCS M6 X 12	1
24-6	BS00123	BOLT-WASHER M10 X 1.25 X 20	1
24-7	BS00124	WASHER LOCK M10	1
24-8	BS00127	WASHER, FLAT M10	2
24-9	BS00128	BUSHING, ISOLATOR, RUBBER	1
24-10	BS00129	BUSHING, SPACER	1
24-11	BF00011	GASKET EXHAUST PIPE	1
24-12	BS00125	BOLT STUD M6X25	1
24-13	BS00130	FR. FIXING COLLAR, ENGINE	1
24-14	BS00131	FR. HANGED BOLT, ENGINE	1

24-15	BS00126	NUT FLANGE M10X1.25	1
24-16	BK00048	IGNITION COIL	1

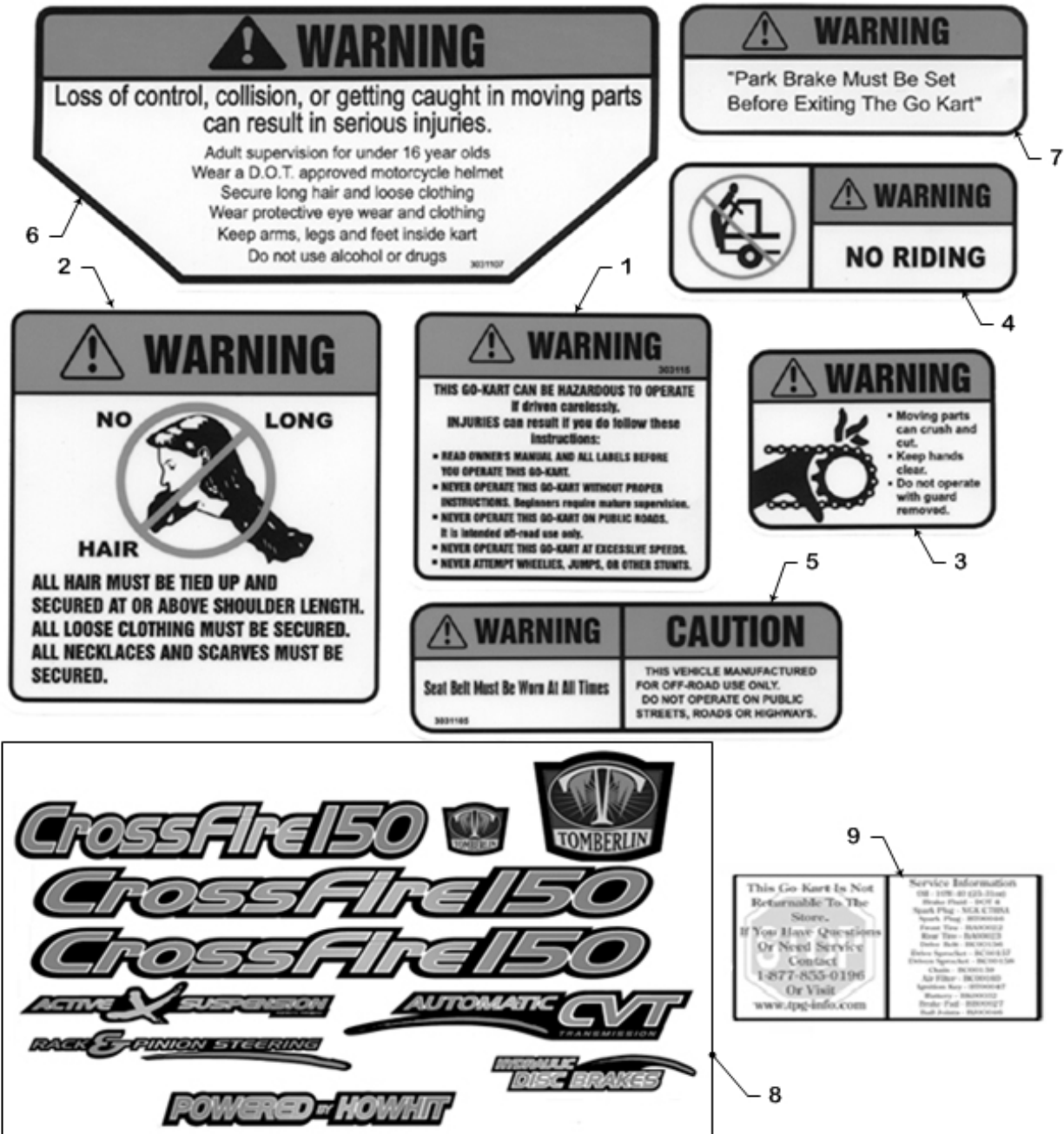
## 25. CONTROLS



REF#	TPG#	DESCRIPTION	QTY
25-1	BH00006	BRAKE PEDAL	1
25-2	BH00008	BRAKE ROD	1
25-3	BS00154	NUT , JAM M6	4
25-4	BS00155	BRAKE GEMEL 6MM	2
25-5	BS00156	PIN	2
25-6	BS00157	WASHER, FLAT	2
25-7	BS00158	PIN, COTTER	2
25-8	BS00159	BRAKE ARM	1
25-9	BH00025	BRAKE SPRING	1
25-10	BB00030	MASTER CYL ROD	1
25-11	BS00160	BRAKE GEMEL 8MM	1
25-12	BS00161	NUT, JAM M8	4
25-13	BS00162	PIN B 6X16	1
25-14	BS00163	WASHER, FLAT M6	1
25-15	BS00164	PIN SPECIAL2X24	1
25-16	NA	MASTER CYLINDER (SEE 23-3)	1
25-17	NA	BRAKE, PRESSURE SWITCH (SEE 23-3)	1
25-18	BS00167	BOLT STUD M8X30	2
25-19	BS00104	NUT, FLANGE M8	2
25-20	BH00005	THROTTLE PEDAL	1
25-21	BH00024	THROTTLE SPRING	1
25-22	BH00007	THROTTLE CABLE	1
25-23	BK00034	ENGINE STOP SWITCH	1
25-24	BT00047	KEY SWITCH	1

25-25	BH00023	RUBBER COVER, KEY SET	1
25-26	BH00020	BRAKE, PARKING, SA	1
25-27	BH00022	BOOT, PARK BRAKE	1
25-28	BT00050	EXTRA KEYS (2)	2

## 26. WARNING/GRAPHIC DECALS



REF#	TPG#	DESCRIPTION	QTY
26-1	SW30321	LABEL, CAUTION	1
26-2	SW30318	LABEL, NO LONG HAIR	1
26-3	SW30319	LABEL, CHAIN GUARD	1
26-4	SW30317	LABEL, NO RIDING	1
26-5	SW30320	LABEL, SEAT BELT	1
26-6	SW30316	LABEL, WARNING	1
26-7	BT00049	LABEL, PARKING BRAKE	1
26-8	BT00043	LABEL, CROSSFIRE SET	1
26-9	BT00045	LABEL, CROSSFIRE FLOOR	1



## 27. ELECTRICAL SCHEMATIC

