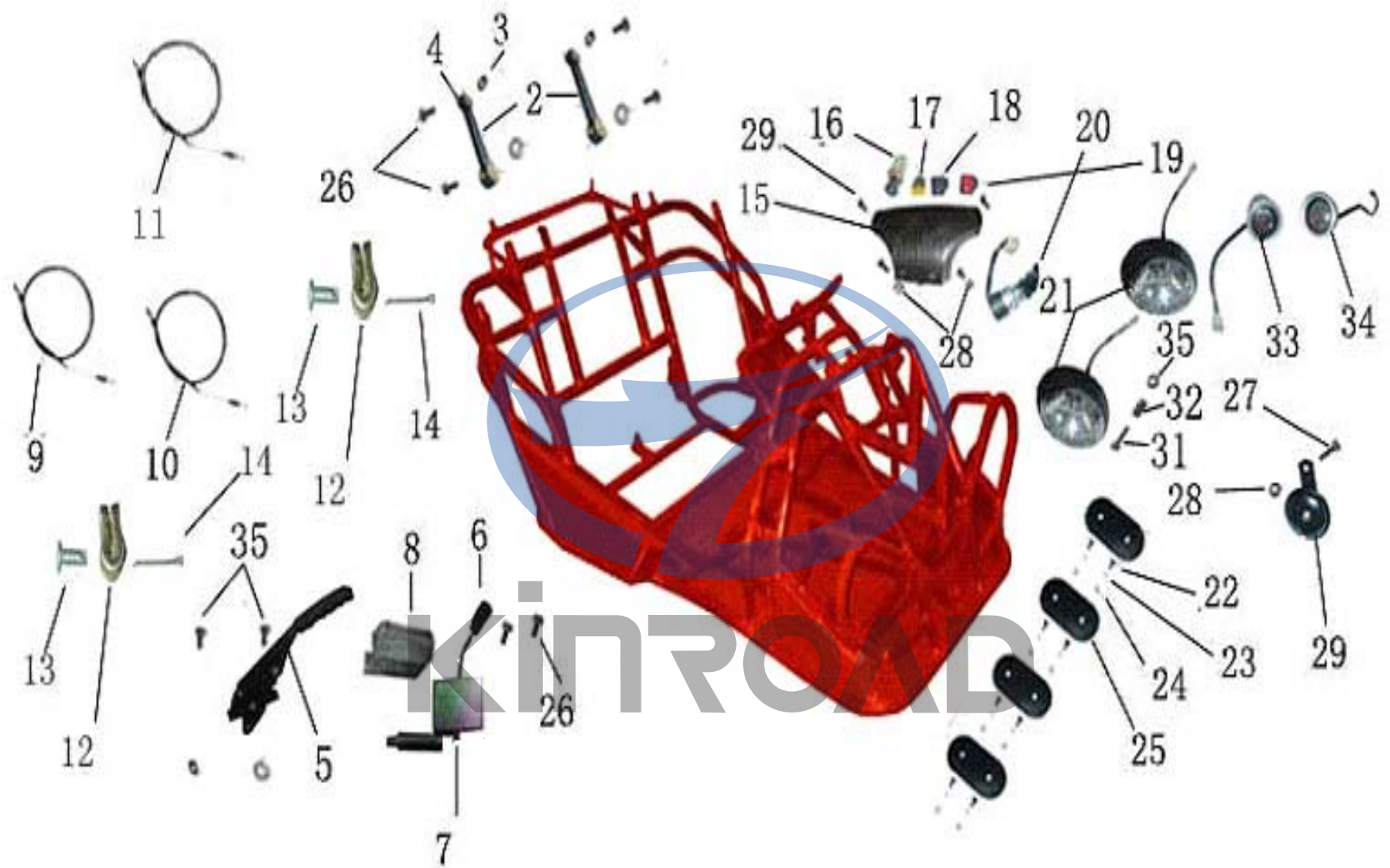


# XT250GK-6 Raptor Category

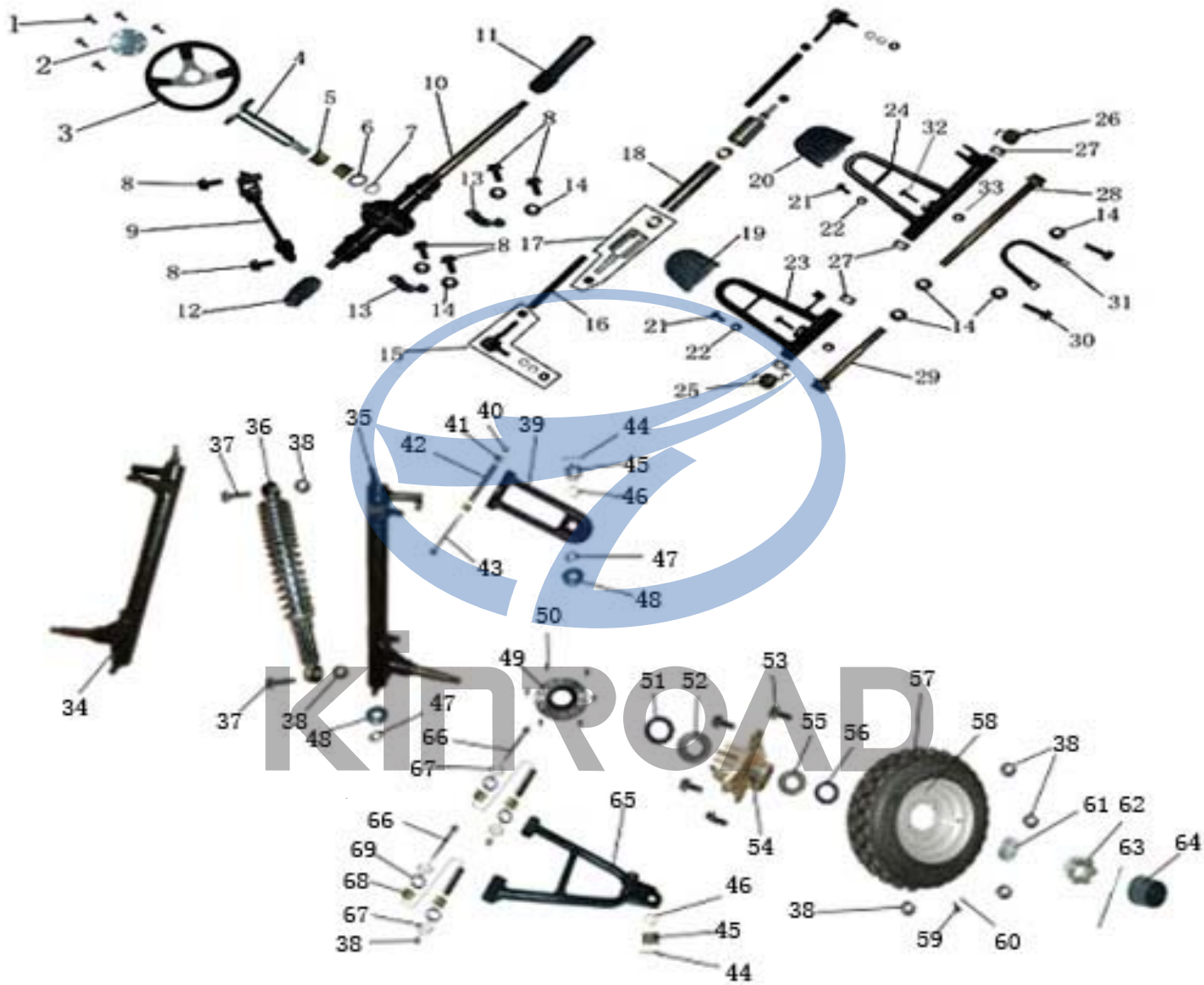




NO.	Part NO.	Description	Description in English	數量Qty	備註Remark
1	KB101010000-2D	车架组件	FRAME COMP.	1	
2	KA00172001A	连杆	CONNECTING ROD	2	
3	KA00172001A-1	连杆垫	WASHER, CONNEECTING ROD	4	
4	KA00172001A-2	连杆衬套	BUSH, CONNECTING ROD	8	
5	KA101330030-3	手刹手柄	HANDLE BAR, BRAKE	1	
6	KA003380000	倒档器手柄套	COVER LEVER	1	
7	KB2S1170000	倒档手柄	HANDLE BAR, BRAKE	1	
8	KA003400000	倒档器手柄护套	COVER REVERSE LEVER	1	
9	KB106220000-1	油门线	CABLE COMP. THROTTLE	1	
10	KB106210000-1	手刹线	CABLE COMP. PARKING BRAKE	1	
11	KA106230000-1	倒档线	CABLE COMP. REMERSE	1	
12	KA106220100-1	支架	BRACKET	2	
13	GB/T882-86	B型销轴	PIN	2	
14	GB/T91-86	开口销 1.6×16	PIN 1.6×16	2	
15	KA003080000-1	面板	COVER. SWITCH	1	
16	KA004190000	点烟器	CIGAR LIGHTER	1	
17	KC004010000	喇叭开关	HORN BUTTON	1	
18	KA004030000	照明开关	TOPLIGHT SWITCH	1	
19	KA004020000	熄火开关	ENGINE STOP BUTTON	1	
20	KA004010000	点火锁	KEY SET-IGNITION SWITCH COMP.	1	
21	KA004100000	大灯组件	HEAD LAMP ASSY.	2	
22	KA003330000	脚踏橡胶板	FOOT PLATE. RUBBER	4	
23	KA003330100	脚踏橡胶板螺钉	BOLT, FOOT PLATE. RUBBER	8	
24	KA003330200	脚踏橡胶板垫片	WASHER, FOOT PLATE. RUBBER	8	
25	KA003330300	脚踏橡胶板螺母	NUT, FOOT PLATE. RUBBER	8	
26	GB5787-86	六角法兰螺栓 M8×16	BOLT, FLANGE M8×16	8	
27	GB5787-86	六角法兰螺栓M6×16	BOLT, FLANGE M6×16	2	
28	GB6187-86	六角法兰自锁螺母M6	NUT FLANGE M6	3	
29	KA204180000	喇叭	HORN	4	

30	GB6187-86	六角法兰自锁螺母M6	NUT FLANGE M6	3	
31	GB5787-86	六角法兰螺栓 M8×40	BOLT, FLANGE M8×40	2	
32	KB001650087	大灯衬套Φ8×Φ15×24	SPACER, Φ8×Φ15×24	2	
33	KA0A4150000	转速表	SPEEDOMETER	1	
34	KB004180000	水温表	WATER TEMPERATURE METER	1	
35	GB6187-86	六角法兰自锁螺母 M8	LOCK NUT FLANGE M8	2	

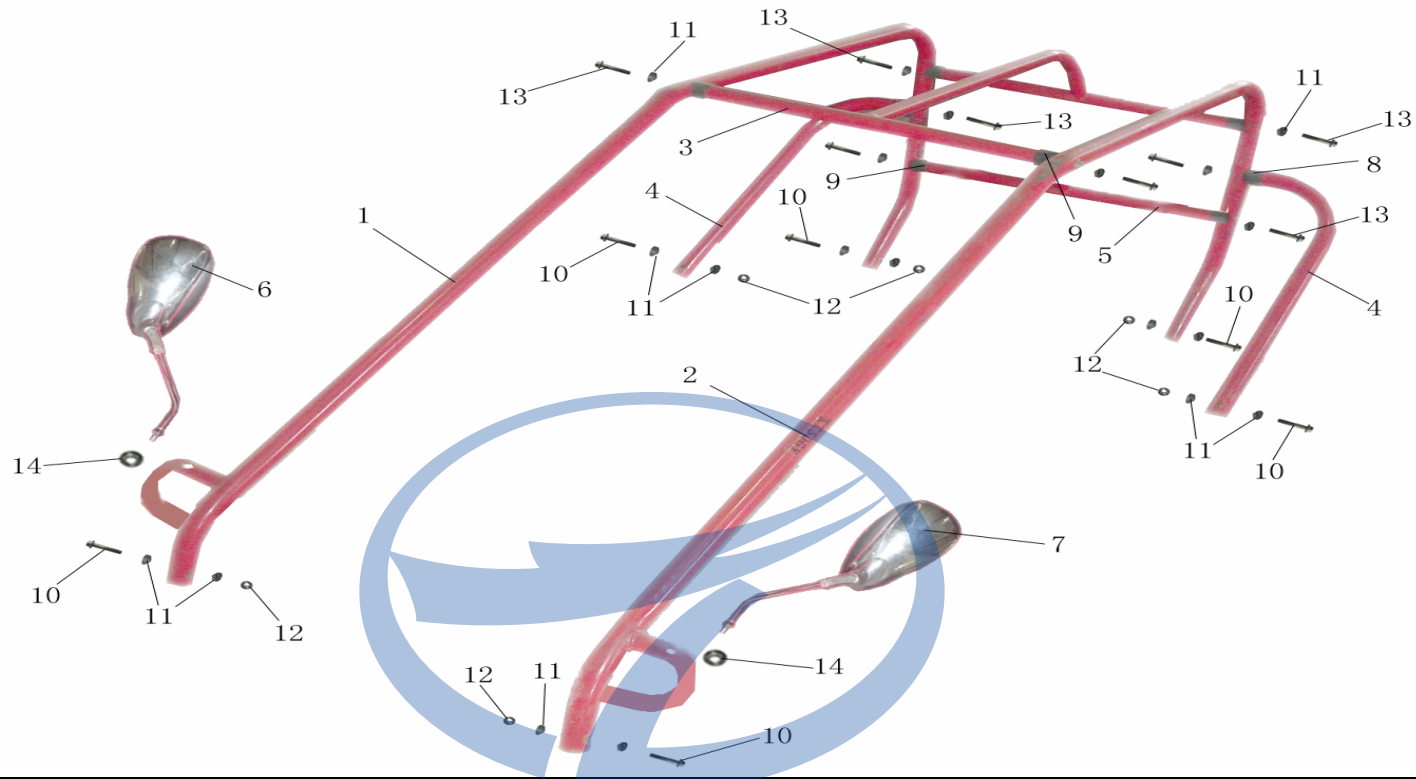




NO.	Part NO.	Description	Description in English	數量Qty	備註Remark
1	GB5787-86	六角法兰螺栓M6×12	BOLT, FLANGE M6×12	6	
2	KB003020000	变向器螺栓盖	COVER STEERING COMP.	1	
3	KB003310000	方向盘	STEERING COMP.	1	
4	KA10171001A	边向轴	STEERING SHAFT	1	
5	KA101021000	方向柱尼龙衬套	BUSH. STEERING SHAFT	2	
6	GB/T95-85	平垫Φ20	WASHER ø20	1	
7	GB/T894-86	轴用弹性挡圈	CIRCLIP ø20	1	
8	GB5787-86	六角法兰螺栓M8×25	BOLT, FLANGE M8×25	6	
9	KA006010400-2	转向关节轴	SEEERING KNUCKLE	1	
10	KA10601011A	变向箱	STEERING GEAR	1	
11	KA006010300	防尘盖	DUST COVER. R. BALL JOINT	1	
12	KA106010300	防尘盖I	DUST COVER. L BALL JOINT	1	
13	KA00153001A	变向器固定板	STEERING GEAR BRACKET	2	
14	GB6187-86	六角法兰自锁螺母M8	NUT FLANGE M8	8	
15	KA10601111A	连接杆球头	ROD END	2	
16	KA10601051A-1	左、右连接杆	TIE ROD	2	
17	KA006010240	万向节	STEERING BALL JOINT	2	
18	KA10601121A	限位套筒	SLEEVE	2	
19	KA003320000	油门脚踏橡胶套	PUSH ROD, MASTER	1	
20	KA003320000-1	刹车脚踏橡胶套	RUBBER, PAD	1	
21	GB5787-86	六角法兰螺栓M5×16	BOLT, FLANGE M5×16	4	
22	GB6187-86	六角法兰自锁螺母M5	NUT FLANGE M5	4	
23	KA00115001A	节气门踏板组件	PEDAL COMP., THROTTLE	1	
24	KA00116001A	刹车踏板组件	PEDAL COMP., BRAKE	1	
25	KA001820030	节气门踏杆扭簧	SPRING, THROTTLE PEDAL	1	
26	KA001810030	刹车踏杆扭簧	SPRING, BRAKE PEDAL	1	
27	KA101024000	踏板减震环	COLLAR, PEDAL	4	
28	53391-BCA0-0000-0C	刹车踏杆螺栓 M8×221	BOLT M8×221	1	
29	53393-BCA0-0000-0C	节气门螺栓 M8×145	BOLT M8×145	1	
30	GB5787-86	六角法兰螺栓 M8×35	BOLT, FLANGE M8×35	2	
31	KA101350000	刹车泵保护支架	BRACKET, CYLINDER ASSY,	1	
32	GB5787-86	六角法兰螺栓 M8×40	BOLT, FLANGE M8×40	2	
33	GB6170-86	六角螺母M8	NUTM8	2	
34	KA00603001A	右支撑轴	KNUCKLE SUPPORT, RH	1	
35	KA00602001A	左支撑轴	KNUCKLE SUPPORT, LH	1	

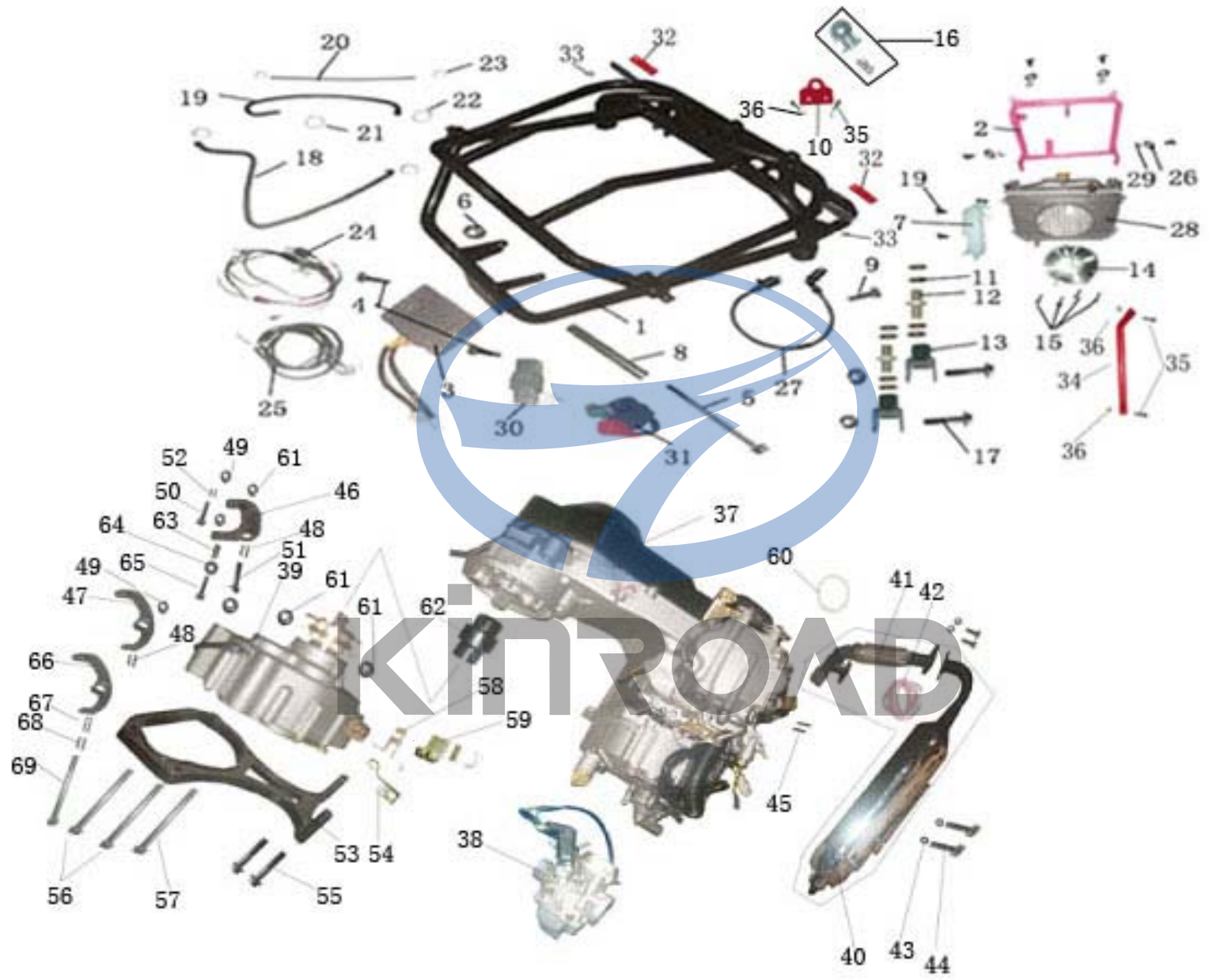


36	KB00631001B	前减震器	ABSORBER ASSY. FR.	2	
37	GB5787-86	六角法兰螺栓 M10×40×1.25	BOLT FLANGE M10×40×1.25	4	
38	GB6187-86	六角法兰自锁螺母 (M10×1.25)	LOCK NUT FLANGE M10×1.25	16	
39	KA10117001A-1	上悬挂臂组件	SUSPENSION ARM COMP, UPPER	2	
40	GB6187-86	六角法兰自锁螺母 M8	LOCK NUT FLANGE M8	2	
41	KA101023000	上摆臂尼龙衬套	BUSH, ARM ASSY., UPPER	4	
42	KA101010300	前上摆臂套筒内心管	SPACER, CENTER	2	
43	GB5787-86	上悬挂臂安装螺栓 M8×105	BOLT M8×105	2	
44	GB/T91-86	开口销1.6×30	PIN 1.6×30	4	
45	GB6178-86	六角开槽螺母M12×1.25	NUT M12×1.25	4	
46	GB/T93-87	弹垫12	SPRING WASHER 12	4	
47	KA001590030	隔环	SPACER, BALL HEAD	4	
48	KA003340000	转向轴防尘罩	RUBBER DUST COVER	4	
49	KA105310100-2	刹车碟	DISC, FR. BRAKE	2	
50	GB5783-2000	六角头螺栓M6×12	BOLT M6×12	12	
51	KA005440000	油封 47×25-7	DUST SEAL 47×25-7	2	
52	KA005520000	轴承 6204	BEARING 6204	2	
53	GB5787-86	辐板轮安装螺栓 M10	BOLT, TIRE M10	8	
54	KA005040030	前轮毂	HUB, FR. WHEEL	2	
55	96100-62030	轴承 6203	BEARING 6203	2	
56	91202-BCA0-0000	油封 42×27-7.3	DUST SEAL 42×27-7.3	2	
57	44710-BCA0-0000	真空胎21"×7"-10"	TIRE, FR. 21"×7"-10"	2	
58	KA005010000	前辐板轮	RIM, FR.	2	
59	KA005030100	气门嘴	INTAKE, TIRE	2	
60	KA005030200	气门嘴帽	CAP, TIRE INTAKE	2	
61	KB001650087	前轮衬套	SPACER, FR. HUB	2	
62	GB6178-86	六角开槽螺母M14×1.5	NUT M14×1.5	2	
63	GB/T91-86	开口销2.5×30	PIN 2.5×30	2	
64	KA003350000	后轮轴盖	CAP, FR. WHEEL	2	
65	KA10118001A	下悬挂臂总成	SUSPENSION ARM COMP, LOWER	2	
66	GB5787-86	下悬挂臂安装螺栓 M10×80	BOLT M10×80	4	
67	KA101022000	下摆臂尼龙衬套	BUSH, SUSPENSION ARM LOWER	8	
68	KA001670030	下悬挂臂防尘盖	DUST CAP, SUSPENSION LOWER	8	
69	KA003410000	O型圈Φ20×Φ2.5	RUBBER RING Φ20×Φ2.5	8	



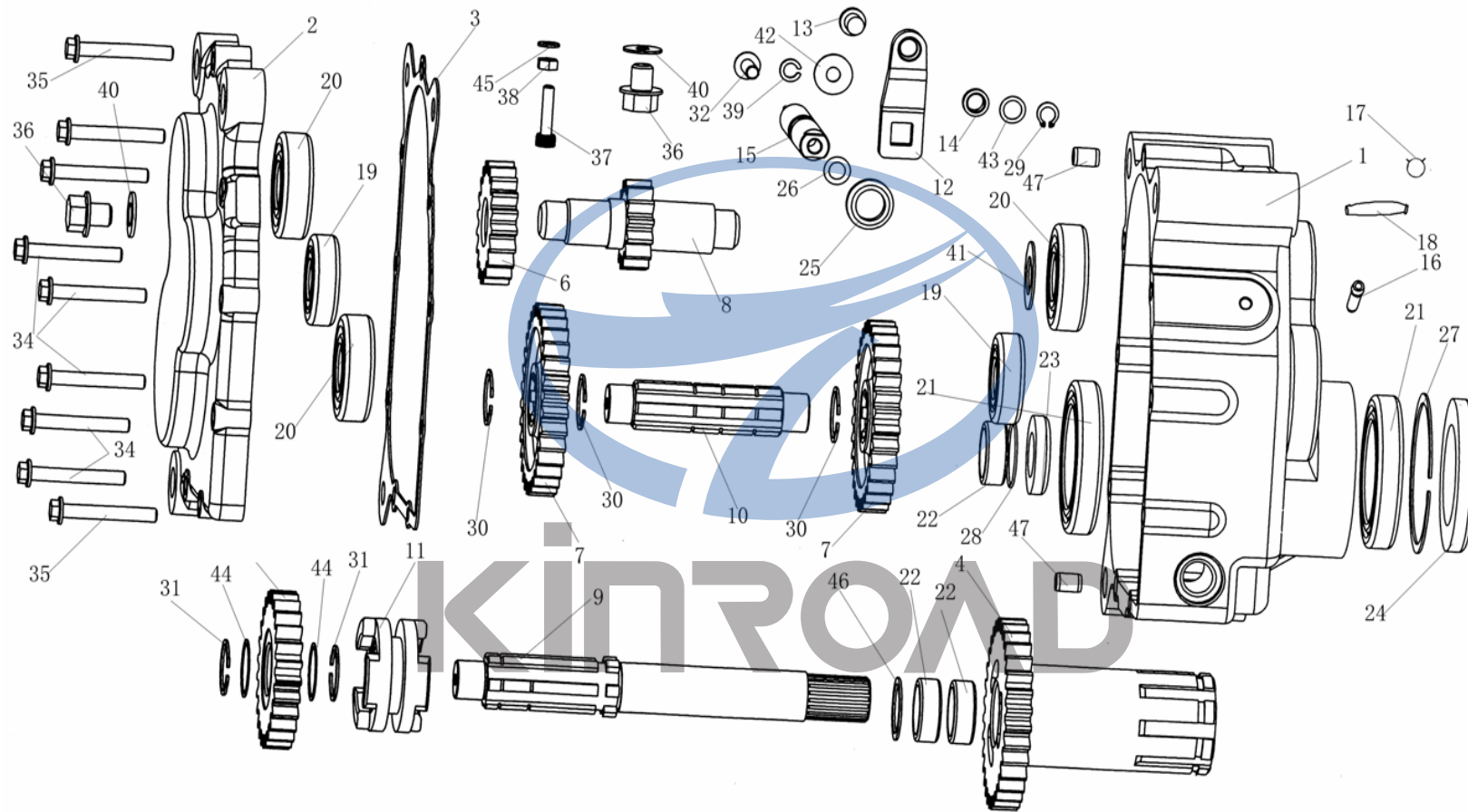
NO.	Part NO.	Description	Description in English	數量Qty	备注Remark
1	KA101020000	右保险杠架	RIGHT BRUSH GUARD BAR ,MAIN	1	
2	KA101020100	左保险杠架	LEFT BRUSH GUARD BAR ,MAIN	1	
3	KA101080000	前护杆	LEFT BRUSH GUARD BAR ,MAIN	1	
4	KA101110000	保护杆	BRUSH GUARD BAR ,RR	2	
5	KA101070000	保险杠横杆	BRUSH GUARD BAR ,CENTER	1	
6	KA204250200	右后视镜	RIGHT REARVIEW MIRROR	1	
7	KA204250100	左后视镜	LEFT REARVIEW MIRROR	1	
8	KA003060000	防护杆衬套(ø32)	BUSH, BRUSH GUARD BAR (ø32)	2	
9	KA003070000	防护杆衬套(ø 25)	BUSH, BRUSH GUARD BAR (ø25)	6	
10	GB5787-86	六角法兰螺栓 M8×50	BOLT FLANGE M8×50	6	
11	50199-BCA0-0000-0C	R-垫	R-WASHER	20	
12	GB6187-86	六角法兰自锁螺母 (M8)	LOCK NUT FLANGE (M8)	6	
13	GB5787-86	六角法兰螺栓 M8×55	BOLT FLANGE M8×55	8	
14	GB6187-86	六角法兰自锁螺母 (M10)	LOCK NUT FLANGE (M10)	2	





NO.	Part NO.	Description	Description in English	数量Qty	备注Remark
1	KB00119001A	后摆臂组件	SWING ARM COMP., RR	1	
2	KB001810030	散热器固定座	FIXING BASE, RADIATOR	1	
3	KB004040000	调压整流器	RECTIFIER COMP, REGULATE	1	
4	GB5787-86	六角法兰螺栓 M6×30	BOLT FLANGE M6×30	2	
5	GB5787-86	发动机轴 M10×1.25×220	SHAFT, HANGER M10×1.25×220	1	
6	GB6187-86	六角法兰自锁螺母 M10×1.25	LOCK NUT FLANGE M10×1.25	1	
7	KB004210000	副水箱	WATER TANK, SUBSIDIARY	1	
8	KB001650080	发动机衬套	ENGINE ASSY COLLAR, INNER	1	
9	GB/T818-85	十字盘头螺钉 M5×20	BOLT M5×20	1	
10	KB2S1400000	拖车挂钩安装支架	TRAILER HATCH	1	
11	GB41-86	调节螺母M20×2	ADJUSTIVE NUT M20×2	8	
12	KB007210000	调节螺杆	ADJUSTIVE SCREW	2	
13	KB007220000	连接座	CONNECTIVE SEAT	2	
14	KB004300000	风扇	FAN	1	
15	GB/T818-85	十字盘头螺钉 M4×16	BOLT FLANGE M4×16	4	
16	KB2S1300000	拖车挂钩	TRAILER HATCH HOOK	1	
17	GB5787-86	六角法兰螺栓 M12×60×1.25	BOLT FLANGE M12×60×1.25	2	
18	KB004250000	出水胶管	RUBBER TUBE, WATER EX	1	
19	KB004260000	回水胶管	RUBBER TUBE, BACKWATER	1	
20	KB004460000	副水箱通水管	WATER TUBE OF WATER TANK, SUBS	1	
21	KB004340000	卡箍29	CIRCLIP 29	2	
22	KB004240000	卡箍24	CIRCLIP 24	2	
23	KB004230000	卡箍13	CIRCLIP 13	2	
24	KB0A4120000-1	主电缆	MAIN WIRE HARNESS	1	
25	KB0A4130000-1	副电缆1	SUB-WIRING HARNESS 1	1	
26	KA003370000	油箱橡胶圈	RUBBER RING	4	
27	KB004090000	高压包	COIL COMP. IGNITION	1	
28	KB004200000	散热器	RADIATOR	1	
29	KB001650085	安装衬套	COLLAR, INNER	4	
30	KB004080000	C. D. I. 点火器	C. D. I. UNIT	1	
31	KB004050000	起动继电器	STARTING RELAY	1	
32	KA204190000	后方反射器	REAR REFLECTOR	2	
33	GB6187-86	六角法兰自锁螺母 M6	LOCK NUT FLANGE M6	8	
34	KF9S1070000	散热器固定座支撑杆	FIXED LINK, RADITOR	1	
35	GB5787-86	六角法兰螺栓 M8×20	BOLT FLANGE M8×20	4	

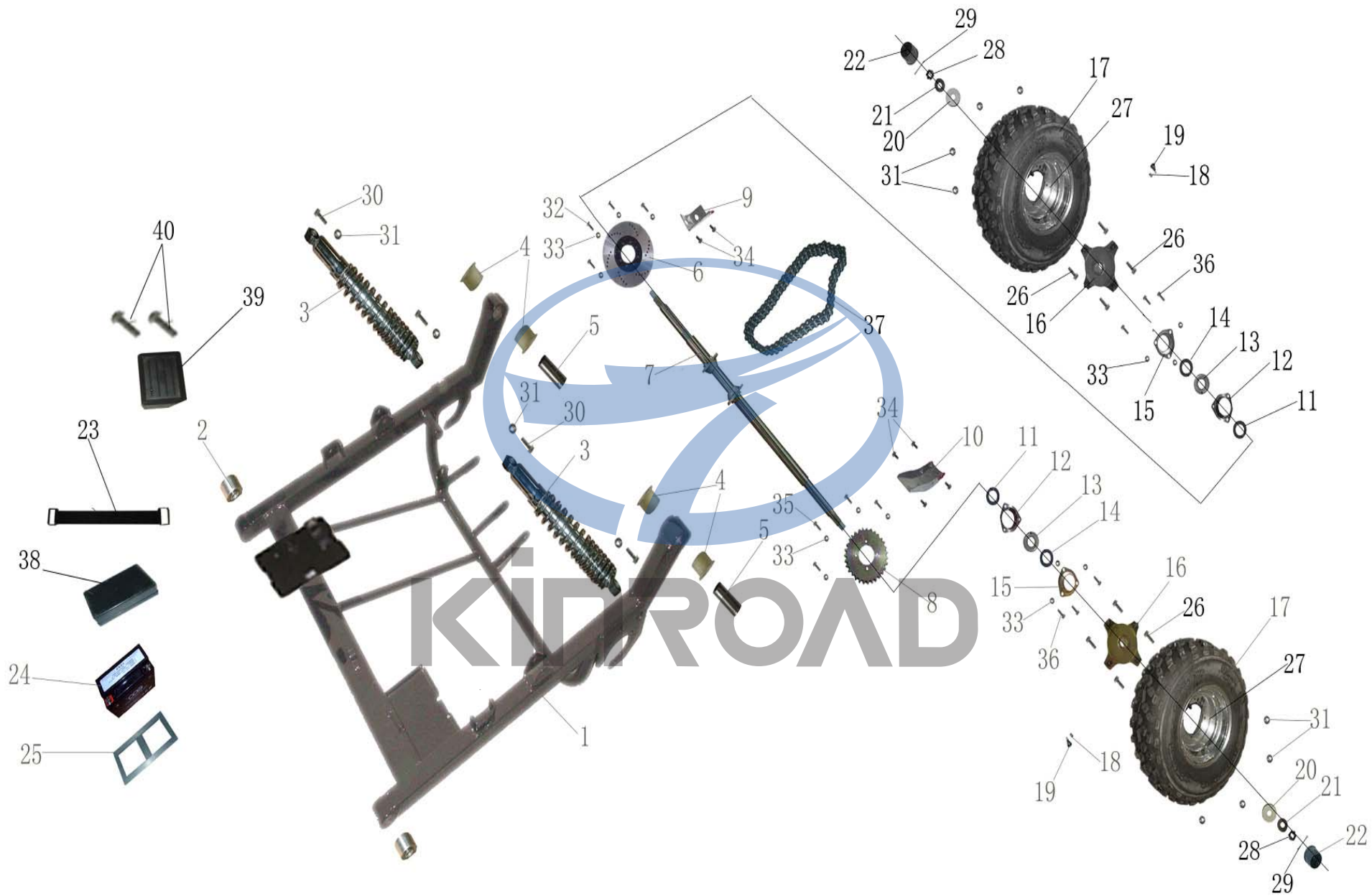
36	GB6187-86	六角法兰自锁螺母 M8×1.25	LOCK NUT FLANGE M8×1.25	4	
37	KB002010000	发动机	ENGINE ASSY	1	
38	KB002020000	化油器	CARBURETOR ASSY	1	
39	KB005610000	倒档器总成	REVERSE ASSY.	1	
40	KB0A2040000-1	排气消声器	MUFFLER COMP., EX	1	
41	KB0A2042000-1	排气消声器前部	MUFFLER COMP. TORESIDE	1	
42	KB0A2043000	排气消声器密封垫2	GASKET, EX. PIPE2	1	
43	GB6187-86	六角法兰自锁螺母 M10×1.25	LOCK NUT FLANGE M10×1.25	5	
44	GB5787-86	六角法兰螺栓 M10×1.25×50	BOLT FLANGE M10×1.25×50	2	
45	GB6187-86	盖形螺母 M8×35	NUT, MUFFLER JOINT M8×35	2	
46	KB001650038	发动机固定板	FIXED BOARD, ENGINE	1	
47	KB001650039	倒档器固定板1	FIXED BOARD, REVERSE	1	
48	KB001650040	缓冲衬套	RUBBER BUSH, SWING ARM	2	
49	GB6187-86	六角法兰自锁螺母 M10×1.25	LOCK NUT FLANGE M10×1.25	4	
50	GB5787-86	六角法兰螺栓 M10×1.25×50	BOLT FLANGE M10×1.25×50	2	
51	GB5787-86	六角法兰螺栓 M12×1.25×60	BOLT FLANGE M10×1.25×60	2	
52	KB001650090	小衬套Φ16×Φ10.5×10	BUSH Φ16×Φ10.5×10	1	
53	KB001650030	倒档器安装板	BRACKET, REVERSE	1	
54	KB101840030	换档线安装板	MOUNTING BOARD, GEAR SHIFTING	1	
55	GB5787-86	六角法兰螺栓 M8×1.25×40	BOLT FLANGE M10×1.25×40	2	
56	GB5787-86	六角法兰螺栓 M10×1.25×124	BOLT FLANGE M10×1.25×60	2	
57	GB5787-86	六角法兰螺栓 M10×1.25×115	BOLT FLANGE M10×1.25×115	1	
58	KB001850030	换档臂回位扭簧	RETURN SPRING, GEAR SHIFTING	1	
59	KB101830030	换档臂	ARM, GEAR SHIFTING	1	
60	KB002040100	排气消声器密封垫1	GASKET, EX. PIPE 1	1	
61	GB6187-86	六角法兰自锁螺母 M12×1.25	LOCK NUT FLANGE M10×1.25	1	
62	KB005613100	连接套	SPACER, REVERSE	1	
63	KB001650096	铁衬套Φ12.5×Φ10.5×30.5	BUSH Φ12.5×Φ10.5×30.5	1	
64	KB001650097	大平垫	WASHER	1	
65	GB5787-86	六角法兰螺栓 M10×1.25×60	BOLT FLANGE M10×1.25×50	1	
66	KB001650039	倒档器固定板2	FIXED BOARD, REVERSE	1	
67	KB001650098	小衬套Φ16×Φ10.5×10	BUSH Φ16×Φ10.5×10	1	
68	KB001650099	尼龙套	NYLON BUSH	1	
69	GB5787-86	六角法兰螺栓 M10×1.25×150	BOLT FLANGE M10×1.25×150	1	



序号	功能码	中文名称	英文名称	数量	备注
Ref. No	Function Code	Chinese Description	Part Name	Reqd. No.	
1	KB005610100	齿轮箱体（单轴）	CASE, GEAR BOX (SINGLE SHAFT)	1	
2	KB005610200	齿轮箱盖（单轴）	COVER, GEAR BOX (SINGLE SHAFT)	1	
3	KB005610300	密封垫	SEAL	1	
4	KB005610400	输出齿轮（单轴）	GEAR, OUTPUT (SINGLE SHAFT)	1	
5	KB005610500	一级主动齿轮（单轴）	DRIVE GEAR, PRIMARY (SINGLE SHAFT)	1	
6	KB005610600	中间齿轮（单轴、双轴）	GEAR, MIDDLE (SINGLE SHAFT, DOUBLE S	1	
7	KB005610700	输入齿轮（单轴、双轴）	GEAR, INPUT (SINGLE SHAFT, DOUBEL SHA	2	
8	KB005610800	中间轴（单轴）	SHAFT, MIDDLE (SINGLE SHAFT)	1	
9	KB005610900	输入轴（单轴）	SHAFT, INPUT (SINGLE SHAFT)	1	
10	KB005611000	I轴	SHAFT I	1	
11	KB005611100	花键套	SLEEVE, SPLINE	1	
12	KB005611200	拨叉	FORK	1	
13	KB005611300	拨销	PIN	1	
14	KB005611400	拨销套	SLEEVE, PIN	1	
15	KB005611500	拨叉轴	SHAFT, FORK	1	
16	KB005611600	通气嘴	INTAKER, AIR	1	
17	KB005611700	通气管	PIPE, AIR	1	
18	KB005611800	管夹 (1)8.5	CLIP, PIPE (1) 8.5	1	
19	GB/T272-93	轴承6203	BEARING 6203	2	
20	GB/T272-93	轴承6303 (STD)	BEARING 6303	3	
21	GB/T272-93	轴承61909	BEARING 61909	2	
22	GB/T272-93	滚针轴承HK2210	BEARING, NEEDLE HK2210	3	
23	KB005611900	油封 22×35×5	SEAL, OIL 22×35×5	1	
24	KB005612000	油封 45×68×8	SEAL, OIL 45×68×8	1	
25	KB005612100	油封 14×22×5	SEAL, OIL 14×22×5	1	
26	KB005612200	O环 9.4×2.4	O-RING 9.4×2.4	1	
27	GB/T893.1	孔用弹性挡圈GB/T893.1 68	HOLE SPACER, ELASTIC GB/T893.1	1	

28	GB/T895.1	孔用钢丝挡圈GB/T895.1	28	HOLE SPACER, STEEL WIRE GB/T895.1	1	
29	GB/T894.1	轴用弹性挡圈GB/T894.1	8	SHAFT SPACER, ELASTIC GB/T894.1	1	
30	GB/T894.2	轴用弹性挡圈GB/T894.2	22	SHAFT SPACER, ELASTIC GB/T894.2	3	
31	GB/T894.2	轴用弹性挡圈GB/T894.2	25	SHAFT SPACER, ELASTIC GB/T894.2	2	
32	GB5788-86	六角法兰面螺栓(凸)M6×16		BOLT, FLANGE M6×16	1	
33	GB5788-86	六角法兰面螺栓(凸)M6×12		BOLT, FLANGE M6×12	2	
34	GB5788-86	六角法兰面螺栓(凸)M6×32		BOLT, FLANGE M6×32	7	
35	GB5788-86	六角法兰面螺栓(凸)M6×35		BOLT, FLANGE M6×35	2	
36	GB5788-86	六角法兰面螺栓(凸)M10×10		BOLT, FLANGE M10×10	2	
37	GB/T70.1	内六角圆柱头螺钉GB/T70.1	M5×	SCREW, ROUND HEAD GB/T70.1	1	
38	GB/T41	六角螺母GB/T41	M5	NUT, HEX GB/T41	1	
39	GB93-87	标准弹簧垫圈GB93	6	SPRING WASHER, STANDARD GB93	1	
40	KB005612300	铜垫10.2×17×1.5		WASHER, COPPER 10.2×17×1.5	2	
41	KB005612400	平垫17×30×1		WASHER, FLAT 17×30×1	1	
42	KB005612500	平垫6.4×18×1		WASHER, FLAT 6.4×18×1	1	
43	KB005612600	平垫8.5×12×0.5		WASHER, FLAT 8.5×12×0.5	1	
44	KB005612700	平垫25.2×30×0.5		WASHER, FLAT 25.2×30×0.5	2	
45	KB005612800	铜垫5.3×10×1		WASHER, COPPER 5.3×10×1	1	
46	KB005612900	平垫22.5×27.8×1		WASHER, FLAT 22.5×27.8×1	1	
47	KB005613000	定位销8×14		PIN, DOWEL 8×14	2	





NO.	Part NO.	Description	Description in English	數量Qty	备注Remark
1	KA00119001A	后摇架组件	REAR SWING ARM COMP.	1	
2	KA101010100	缓冲套	RUBBER BUSH, SWING ARM	2	
3	KA00632001B	后减震器	ABSORBER ASSY. RR.	2	
4	KA101020000	下悬挂尼龙衬套	BUSH, REAR SWING ARM	4	
5	KA101010400	后下发动机摆臂连接套筒心套	SPACER, CENTER	2	
6	KA105310200-2	后碟刹盘组件	DISC, RR. BRAKE	1	
7	KA005060030	后轮轴	AXLE COMP., RR.	1	
8	KA005220030	后链轮	REAR SPROCKET	1	
9	KA00164001A	碟刹盘罩	COVER DISC, RR. BRAKE	1	
10	KA00163001A	后链轮罩	COVER REAR SPROCKET	1	
11	KA005430000	油封 50×34-7	DUST SEAL 50×34-7	2	
12	KA005070030	后轮轴承座	HOUSING COMP, RR. AXLE BRG	2	
13	KA005530000	轴承 6206 RZ	BEARING 6206 RZ	2	
14	KA005420000	油封28×42-7	DUST SEAL 42×28-7.3	2	
15	KA001570030	后轮轴承座盖	BEARING BASE	2	
16	KA005050030	后轮毂	HUB, RR. AXLE	2	
17	KA005040000	真空胎 22×11-10	TIRE, RR. 22×11-10	2	
18	KA005030200	气门嘴帽	CAP, TIRE INTAKE	2	
19	KA005030100	气门嘴	INTAKE, TIRE	2	
20	KA001580030	后轮帽座	HOLDER, RR. WHEEL CAP	2	
21	94110-17B01-0C	平垫 (ø16)	FLAT WASHER (ø16.5)	2	
22	KA003350000	后轮轴盖	CAP, RR. WHEEL	2	
23	KA001600030	蓄电池绑带	PRESSURE PLATE, BATTERY	1	
24	KA004070000	蓄电池	BATTERY	1	
25	KA003360000	蓄电池垫	CUSHION, BATTERY	1	
26	44901-BCA0-0000-0C	辐板轮安装螺栓 (M10)	BOLT, TIRE (M10)	8	
27	KA005020000	后辐板轮10-8	RIM, REAR	2	
28	GB6178-86	六角开槽螺母M16×1.5	NUT M16×1.5	2	
29	GB/T91-86	开口销3.2×32	PIN3.2×32	2	
30	GB5787-86	六角法兰螺栓 M10×40	BOLT FLANGE M10×40	4	
31	GB6187-86	六角法兰自锁螺母 M10	LOCK NUT FLANGE M10	12	
32	GB5787-86	六角法兰螺栓 M8×25	BOLT FLANGE M8×20	4	
33	GB6187-86	六角法兰自锁螺母 M8	LOCK NUT FLANGE M8	14	
34	GB5787-86	六角法兰螺栓M8×16	BOLT FLANGE M8×16	6	

35	GB5787-86	六角法兰螺栓 M8×35	BOLT FLANGE M8×35	4	
36	GB5787-86	六角法兰螺栓 M8×40	BOLT FLANGE M8×40	6	
37	KA005230000	链条10A	DRIVE CHAIN	2	
38	KA003030000	蓄电池盖	COVER, BATTERY	1	
39	KB003010000	电器盒	WIRING BOX	1	
40	GB818-85	十字盘头螺钉M6×20	BOLT FLANGE M6×20	2	





NO.	Part NO.	Description	Description in English	數量Qty	备注Remark
1	KB101130000	后储物架组件	CARRIER COMP., REAR	1	
2	KB101140000	后储物架支架	SUPPORTER, CARRIER	2	
3	GB5787-86	六角法兰螺栓 M8×45	BOLT FLANGE M8×45	2	
4	KA004110000	后尾灯	TAIL LAMP ASSY.	1	
5	KA003100000	后尾灯绝缘垫A	INSULATING PAD A, TAIL LIGHT	2	
6	KA003110000	后尾灯绝缘垫B	INSULATING PAD B, TAIL LIGHT	2	
7	KB002030000	空滤器组件	CASE COMP., AIR CLEANER	1	
8	KB002030100	海绵	ELEMENT, AIR CLEANER	1	
9	KB002030200	空滤器接管卡箍1	CALIPER1, AIR CLEANER	1	
10	KB002030300	空滤器接管卡箍2	CALIPER1, AIR CLEANER	1	
11	KA202060000	油箱	TANK, COMP. FUEL	1	
12	KA002060100	油箱盖	CAP, COMP. FUEL TANK	1	
13	KA003220000	导流管	TUBE COMP. VACUUM	1	
14	KA002070000	止回阀	CHECK VALVE	1	
15	KA003370000	油箱橡胶圈	RUBBER RING	4	
16	50199-BCA0-0000-0C	R-垫	R-WASHER	4	
17	KA002080000	油箱开关	COCK, FUEL ASSY.	1	
18	KA001870050	气管卡簧	CIRCLIP, AIR PIPE	2	
19	GB5787-86	六角法兰螺栓 M8×55	BOLT FLANGE M8×55	2	
20	KA002090000	过滤器	FILTER	1	
21	KA001860050	油管卡簧	CIRCLIP, FUEL TUBE	4	
22	KA003230000	气管	TUBE COMP. VACUUM	1	
23	KA001850050	保护网I	TUBE SPRING I	2	
24	KA003210100	油管I	TUBE COMP. FUEL. I	1	
25	KA003210200	油管II	TUBE COMP. FUEL. II	1	
26	KA001830050	保护网II	TUBE SPRING II	1	
27	KA107010100-2	右座垫	RIGHT SEAT ASSY	1	
28	KA107010200-2	左座垫	LEFT SEAT ASSY	1	
29	KA107080000-1	五点式安全带	BELT. SAFETY	1	
30	KA107080100-1	安全带附件	BOLT BELT. SAFETY	1	
31	KA20705001A	滑轨	RAIL SET. SEAT	1	
32	GB5787-86	六角法兰螺栓 M8×25	BOLT FLANGE M8×25	4	
33	GB6187-86	六角法兰自锁螺母 M8	LOCK NUT FLANGE M8	12	
34	GB6187-86	六角法兰自锁螺母 M8	LOCK NUT FLANGE M8	4	

35	GB6187-86	六角自锁螺母 (M5)	NUT FLANGE M5	2	
36	GB5787-86	六角法兰螺栓 M8×16	BOLT FLANGE M8×16	8	
37	GB5787-86	六角法兰螺栓 M6×30	BOLT FLANGE M6×30	4	
38	GB/T95-87	平垫 φ6	FLAT WASHER ø6	4	
39	KB001650086	安装衬套	COLLAR, INNER	4	
40	KA105310000-2	制动泵总成	FOUR-CALIPER BRAKE ASSY	1	
41	KA105310100-2	主压杆	PUSH ROD, MASTER	1	
42	KA003130000	前挡泥板	BRACKEY, FRONT FENDER	2	
43	KA003140000	后挡泥板支架	REAR FENDER	2	
44	KA00135001A	前左挡泥板支架	FRONT FENDER, L	1	
45	KA00136001A	前右挡泥板支架	FRONT FENDER, R	1	
46	KA00137001A	左后挡泥板支架	REAR FENDER, L	1	
47	KA00138001A	右后挡泥板支架	REAR FENDER, R	1	
48	GB/T882-86	B型销轴(带销孔ø2)6×30	PIN 6×30	1	
49	GB/T91-86	开口销 1.6×16	PIN 1.6×16	1	
50	GB5787-86	六角法兰螺栓 M8×35	BOLT FLANGE M8×35	2	
51	GB5787-86	六角法兰螺栓 M8×25	BOLT FLANGE M8×25	2	
52	GB/T93-87	弹垫8	WASHER , SPRTNG ø8	2	
53	GB5787-86	六角法兰螺栓 M8×96	BOLT FLANGE M8×96	1	
54	GB5787-86	六角法兰螺栓 M8×12	BOLT FLANGE M8×12	1	
55	GB5787-86	六角法兰螺栓 M6×16	BOLT FLANGE M6×16	12	
56	GB6187-86	六角法兰自锁螺母 (M6)	LOCK NUT FLANGE (M6)	12	
57	GB5787-86	六角法兰螺栓 M8×16	BOLT FLANGE M8×16	2	
58	GB5787-86	六角法兰螺栓 M6×35	BOLT FLANGE M6×35	2	
59	GB/T93-87	弹垫6	WASHER , SPRTNG ø6	2	
60	GB6170-86	六角螺母M6	NUTM6	2	