

XF250-2A

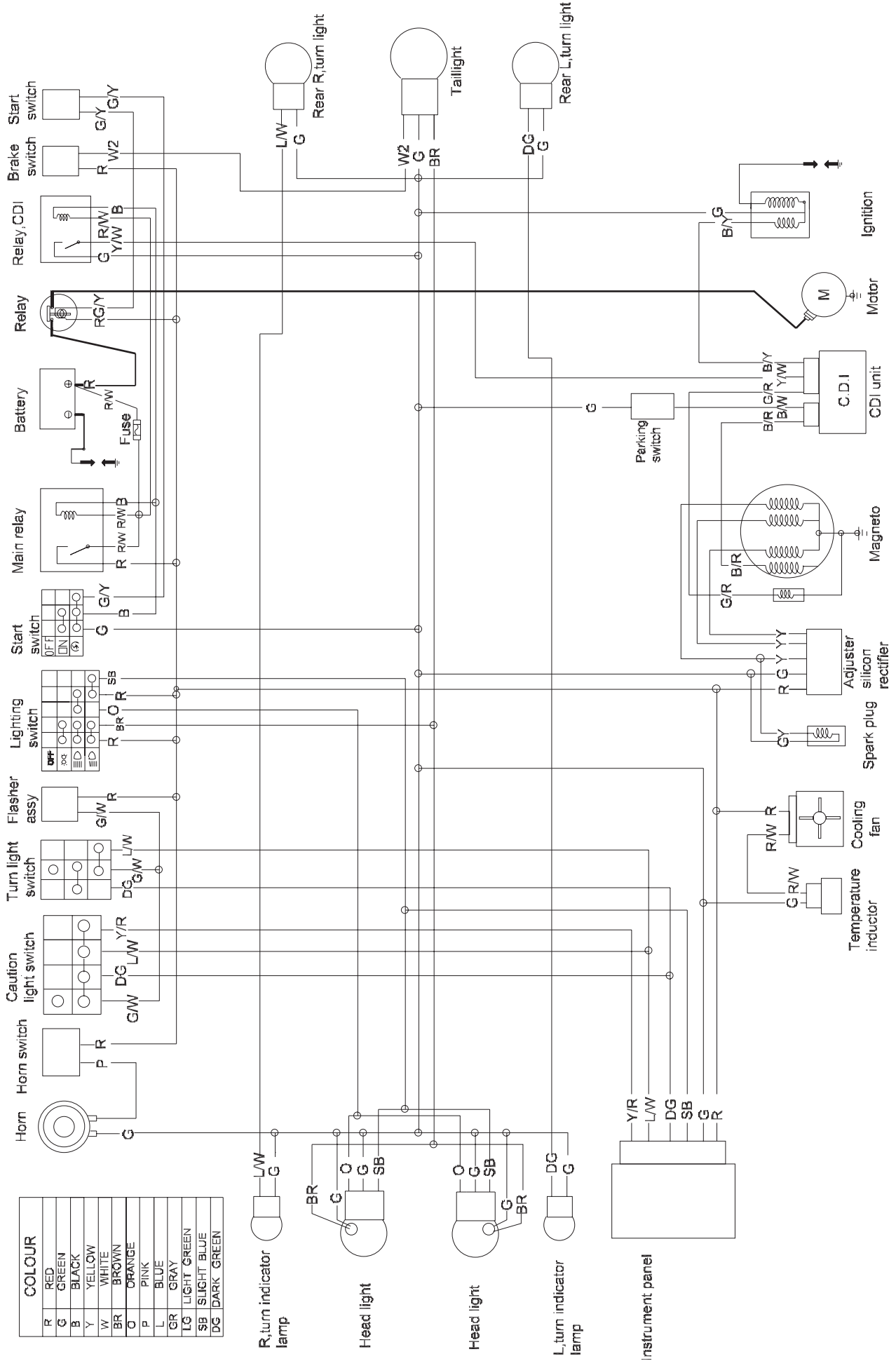
XF250-2AR

---

# Parts Catalogue

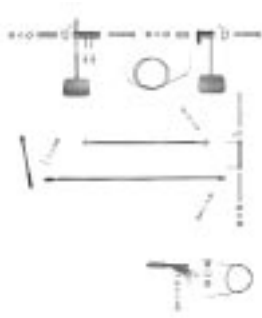


# WIRING DIAGRAM



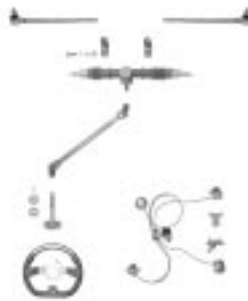
**FIG. 1**

CONTROLS



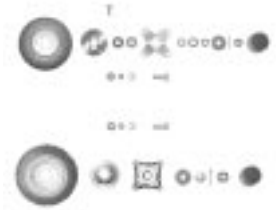
**FIG. 2**

STEERING SHAFT ASSY



**FIG. 3**

FRONT WHEEL&REAR WHEEL



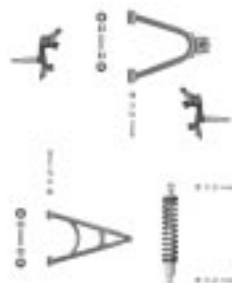
**FIG. 4**

FRAME ASSY



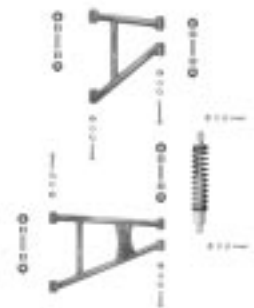
**FIG. 5**

FRONT SUSPENSION  
ARM ASSY.



**FIG. 6**

REAR SUSPENSION ARM ASSY.



**FIG. 7**

REAR DRIVE AXLE ASSY



**FIG. 8**

COOLANT ASSY



**FIG. 9**

ELECTRICAL ASSY



**FIG. 10**

CYLINDER HEAD ASSY(1)



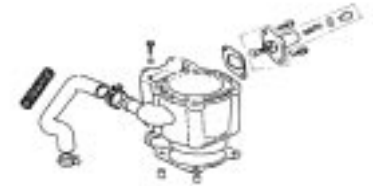
**FIG. 11**

CYLINDER HEAD ASSY(2)



**FIG. 12**

CYLINDER BODY ASSY



**FIG. 13**

CRANKCASE ASSY(1)



**FIG. 14**

CRANKCASE ASSY(2)



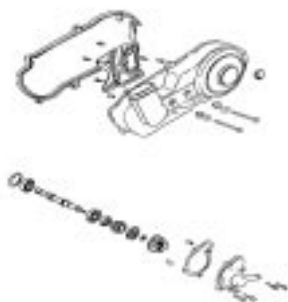
**FIG. 15**

CRANK SHAFT PISTON  
CONNECTING ROD, VALVE  
TRAIN ASSY



**FIG. 16**

LEFT COVER, WATER  
COOLING ASSY



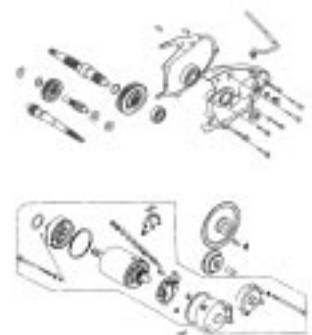
**FIG. 17**

OIL PUMP, CLUTCH ASSY



**FIG. 18**

SLOWDOWN GEAR, ELECTRICAL  
STARTER ASSY



**FIG. 19**

DRIVE PLATE ASSY



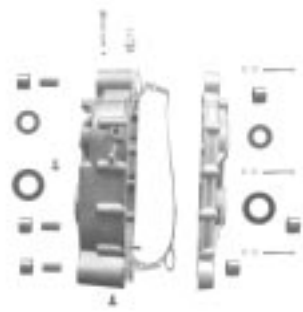
**FIG. 20**

REVERSE ASSY(1)



**FIG. 21**

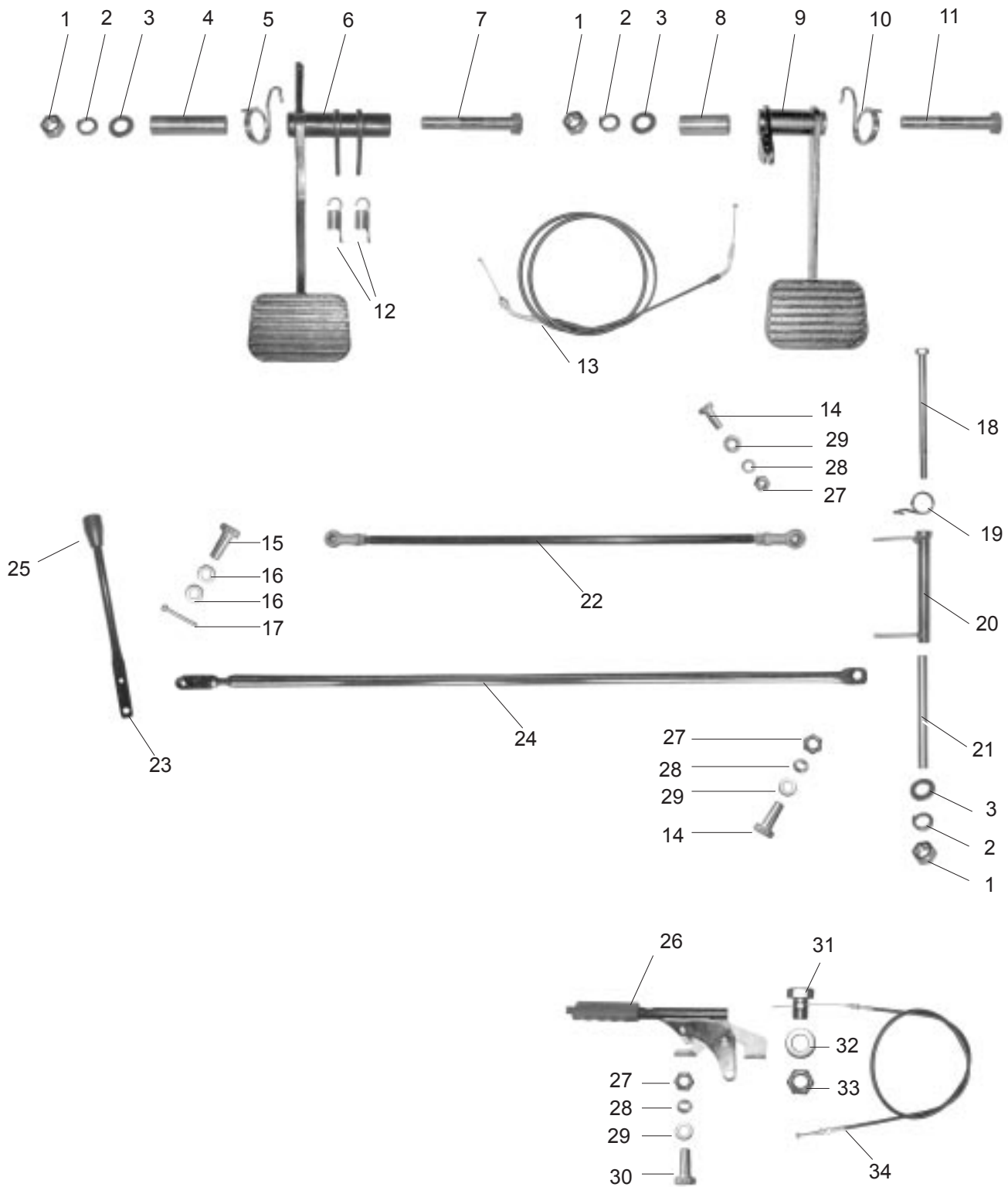
REVERSE ASSY(2)



**Subject to change without notice!**

# FIG. 1

## CONTROLS

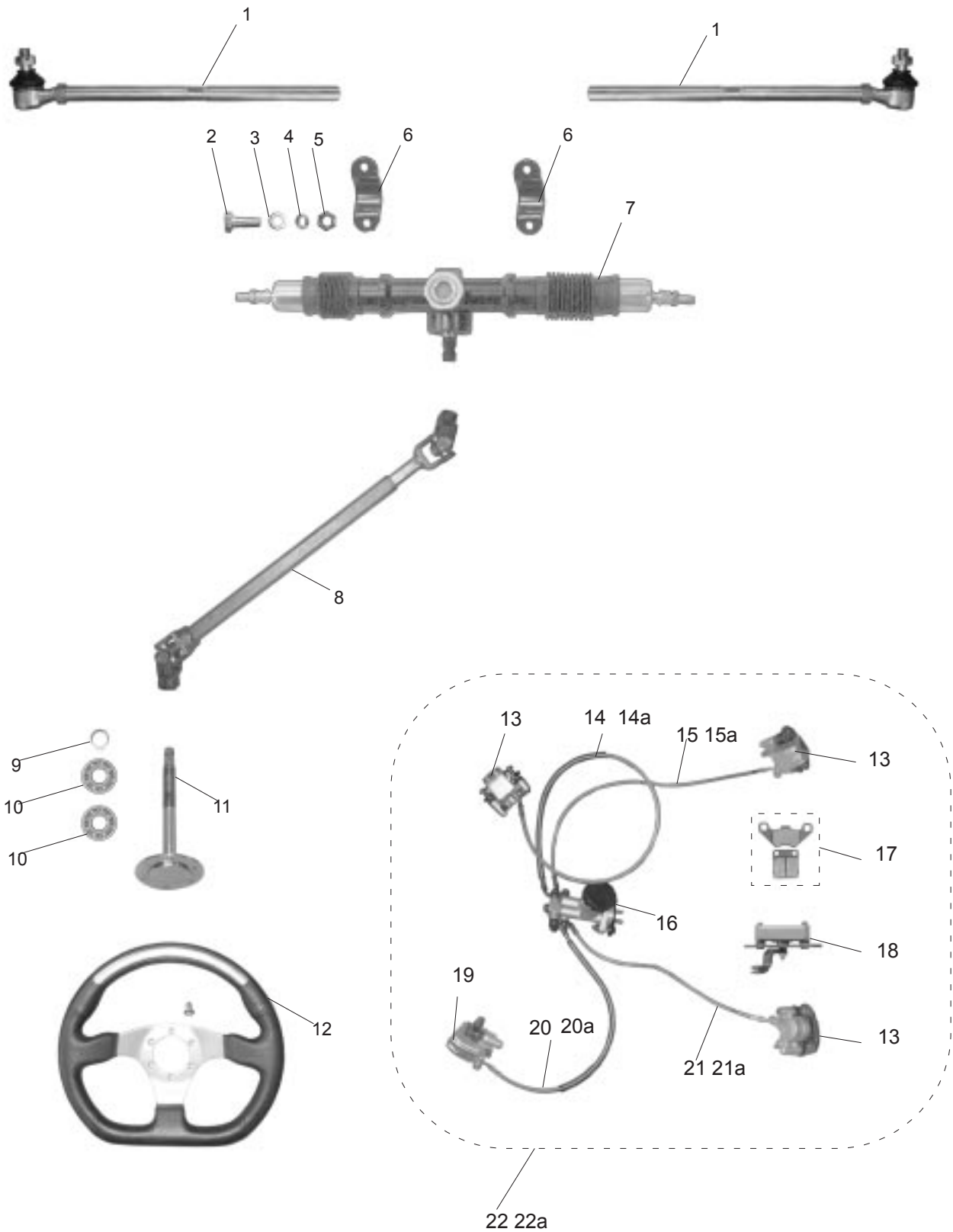


## CONTROLS

REF NO.	PART NO.	DESCRIPTION	REGD NO.
1	GB6171-86	NUT M10X1.25	2
2	GB93-87	SPRING WASHER 10MM	2
3	GB97.1-85	WASHER 10MM	2
4	250-2A-2102001	COLLAR,BRAKE PEDAL	1
5	300-2102006	SPRING,THROTTLE PEDAL(LEFT)	1
6	250-2A-2102100	BRAKE PEDAL	1
7	GB5782-86	BOLT M10X1.25X130	1
8	250-2A-2104001	COLLAR,THROTTLE PEDAL	1
9	250-2A-2104100	THROTTLE PEDAL	1
10	G-2100004	SPRING , THROTTLE PEDAL	1
11	GB5782-86	BOLT M10X1.25X80	1
12	G-1813001	SPRING ,BRAKE PEDAL	2
13	250-2A-2104200	CABLE,THROTTLE COMP.	1
14	G-1000011	BOLT,	2
15	A-2100018	DOWEL,	1
16	A-2100019	SPECIAL WASHER	1
17	GB91-86	PIN , 2X20	1
18	GB5782-86	BOLT M10X1.25X170	1
19	300-2102006	SPRING, THROTTLE	1
20	250-2A-1707200	BRACKET, LINKAGE BRIDGE	1
21	250-2A-1707003	COLLAR, BRCKET LINKAGE BRIDGE	1
22	250-2A-1707310	LINKAGE, REVERSE	1
23	250-2A-1707001	CONTROL LEVER	1
24	250-2A-1707100	LINKAGE, CONTROL LEVER	1
25	250-2A-1707002	SHEATH, CONTROL LEVER	1
26	G-2100900	HAND BRAKE LEVER	1
27	GB6170-86	NUT, 8MM	3
28	GB93-87	SPRING WASHER, 8MM	3
29	GB97.1-85	WASHER , 8MM	3
30	GB5783-86	BOLT, M8X25	1
31	G-1700008	SPECIAL BOLT	1
32	GB97.1-85	WASHER , 12MM	1
33	GB6173-85	NUT , M12X1.25	1
34	250-2A-2103120	CABLE, BRAKE BAR	1

# FIG. 2

## STEERING SHAFT ASSY

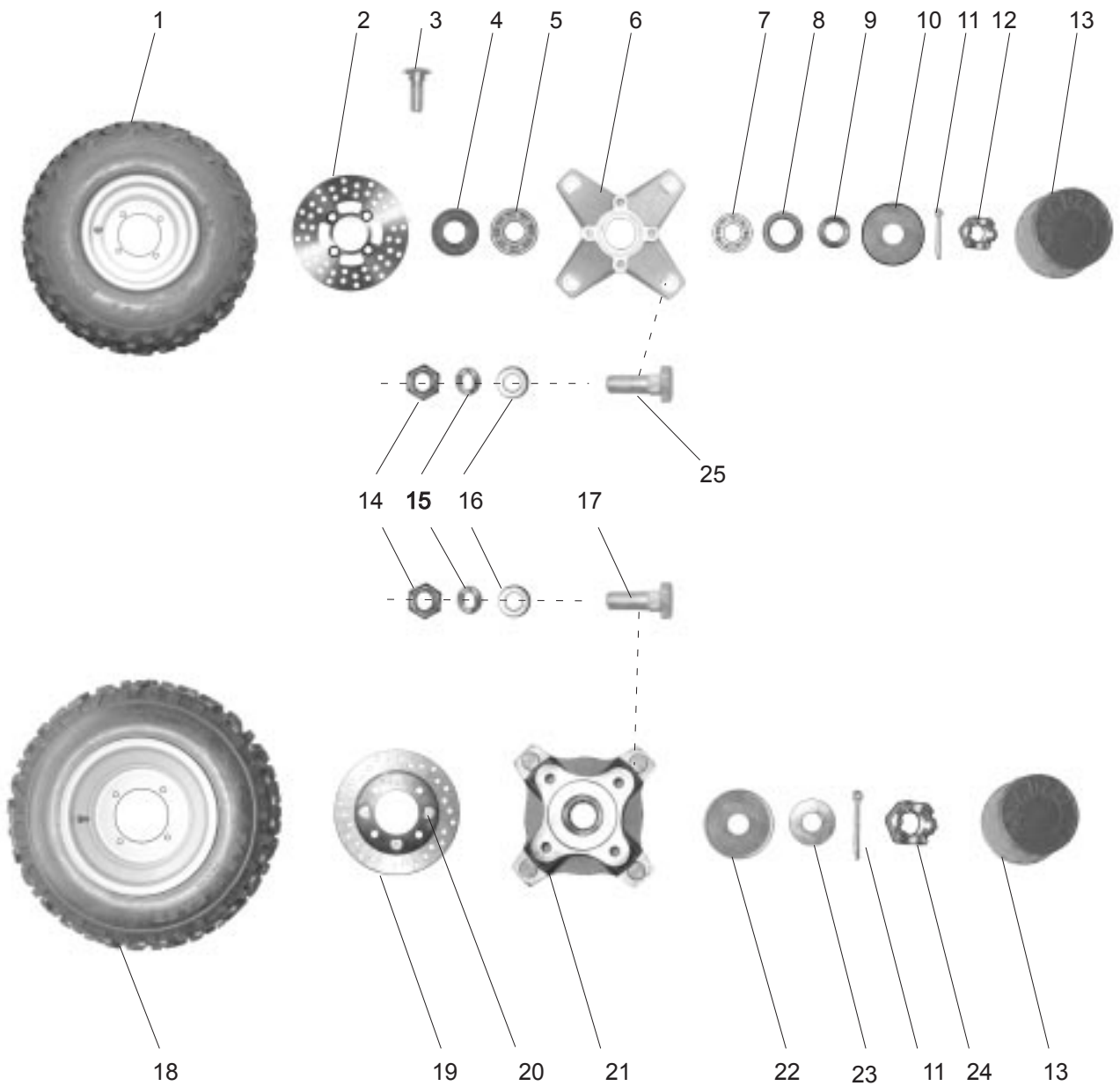






# FIG. 3

## FRONT WHEEL & REAR WHEEL

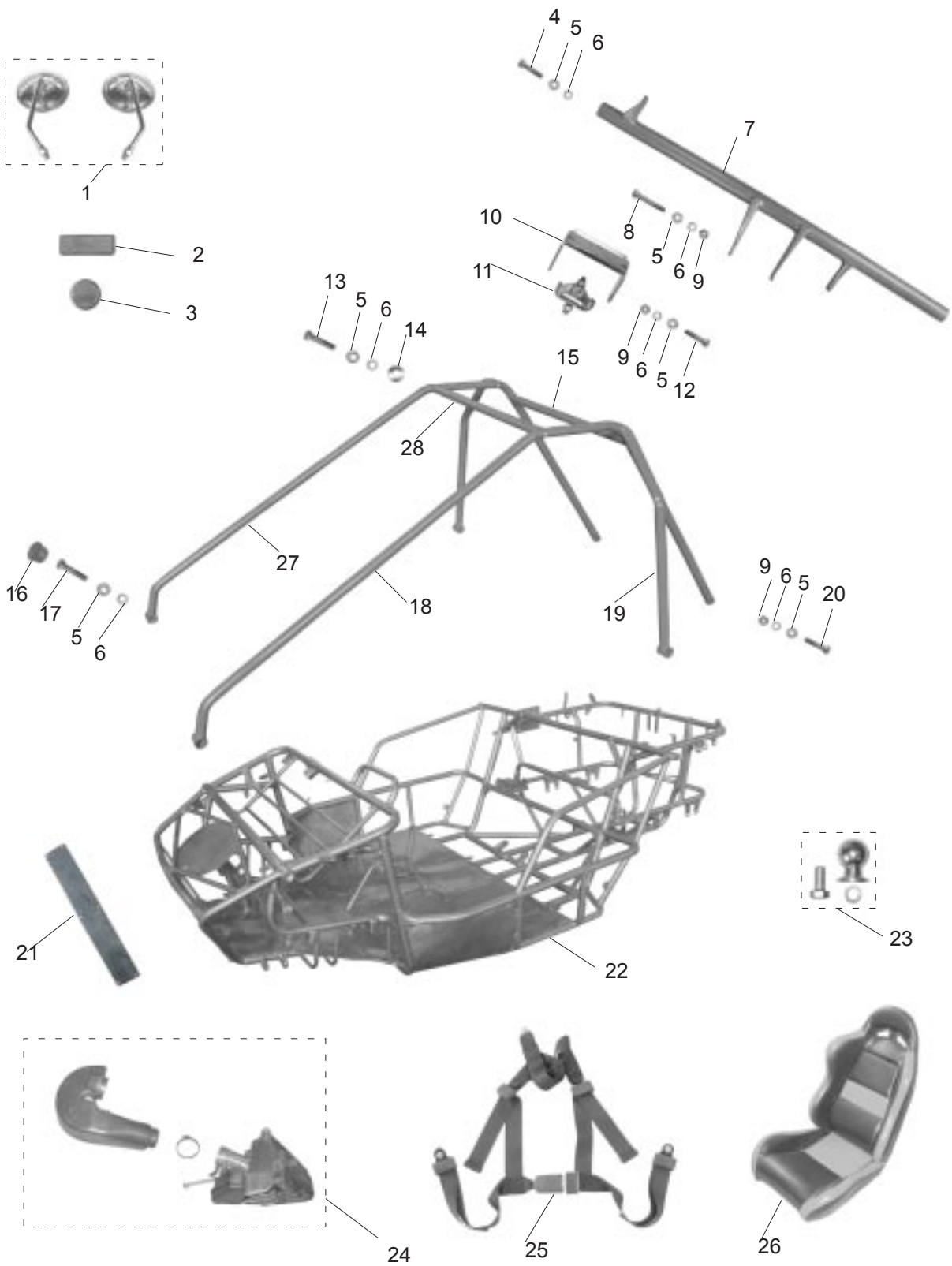


## FRONT WHEEL & REAR WHEEL

<b>REF NO.</b>	<b>PART NO.</b>	<b>DESCRIPTION</b>	<b>REGD NO.</b>
1	250-2A-1503000	FRONT TIRE,22X7-10	2
2	A250-2103009	FRONT BRAKE DISC	2
3	A250-1500006	BOLT, FRONT BRAKE DISC	12
4	HG4692-67	OIL SEAL,47X25X7	2
5	GB276-89	BEARING,104	2
6	A250-1500001	FRONT BRAKE DRUM	2
7	GB276-89	BEARING, 202	2
8	HG4692-67	OIL SEAL,35X22X7	2
9	A250-1500004	INNER GASKET	2
10	GB97.1-86	WASHER,14MM	2
11	GB91-86	PIN,2.5X30	2
12	GB9459-86	NUT,M14X1.5	2
13	G-1500002	RUBBER COVER	4
14	GB6171-86	NUT,M10X1.25	16
15	GB93-87	LOCK WASHER,10MM	16
16	GB97.1-86	WASHER,10MM	16
17	G-1500004	TIRE BOLT, M10X1.25	4
18	250-2A-1602000	REAR TIRE,24X11-10	2
19	SG-A-1602005	REAR BRAKE DISC	2
20	G-1600003	TIRE BOLT, M8X1	4
21	SG-A-1600007	REAR HUB	2
22	A250-1600006	BASE, REAR AXLE	2
23	250-2A-1600001	GASKET, REAR TIRE	2
24	GB9459-86	NUT,M16X1.5	2
25	A250-1500007	BOLT, FRONT TIRE	8

# FIG. 4

## FRAME ASSY.

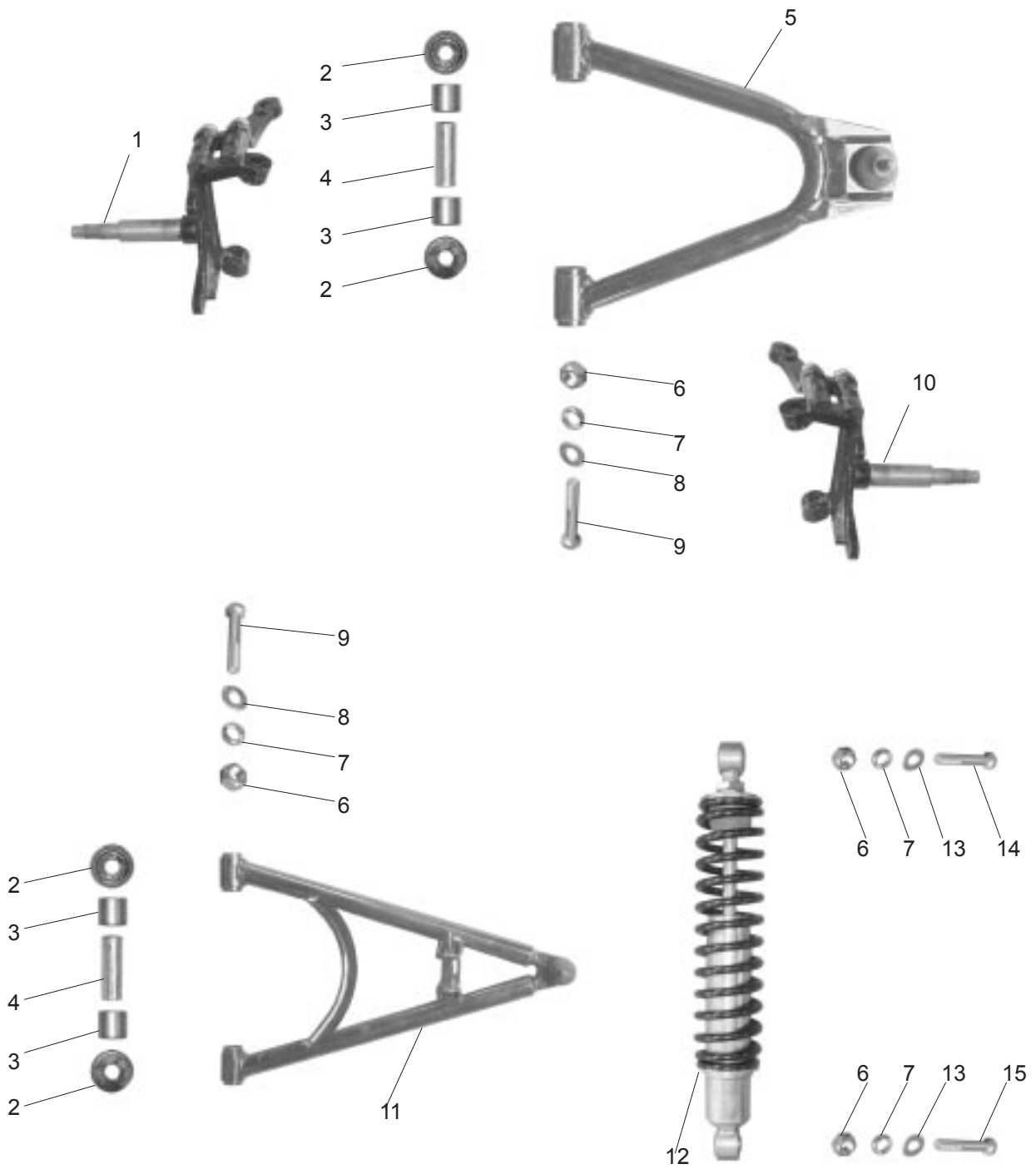


## FRAME ASSY

REF NO.	PART NO.	DESCRIPTION	REGD NO.
1	2A-1800300	MIRRORS	1SET
2	SG-B-2300002	REFLECTOR,QUADRATE	2
3	SG-B-2300001	REFLECTOR,CIRCULAR	4
4	GB5782-86	BOLT,M10X1.25X50	2
5	GB97.1-85	FLAT WASHER, 10MM	14
6	GB93-87	SPRING WASHER,10MM	14
7	250-2A-1703000	REAR BRACKET,ENGINE	1
8	GB5782-86	BOLT,M10X1.25X120	1
9	GB6171-86	NUT ,M10X1.25	2
10	250-2A-1702002	FRONT CONNECT PLATE,ENGINE	1
11	250-2A-1702001	CUSHION RUBBER,ENGINE	1
12	GB572886	BOLT, M10X1.25X50	1
13	GB5782-86	BOLT,M10X1.25X60	4
14		SPECIAL WASHER	4
15	250-2A-1706500	REAR TUBE,CONNECTING	1
16	G-1700015	RUBBER TOP	4
17	GB5782-86	BOLT, M10X1.25X50	4
18	250-2A-1706100	LEFT BUSHING GUARD,MAIN	1
19	250-2A-1706300	BUSHING GUARD,SIDE	2
20	GB5782-86	BOLT,M10X1.25X50	2
21	250-2A-1700004	FRONT PLATE ORNAMENT	1
22	250-2A-1701000	FRAME COMP	1
23	A250-2600100	BALL COMP.	1
24	250-2A-2500000	AIR CLEANER ASSY	1
25	SG-2500300	SEAT BELT HARNESS ASSY	1
26	SG-A-2500100	SEAT COMP.	1
27	250-2A-1706200	RIGHT BUSHING GUARD,MAIN	1
28	250-2A-1706400	FRONT TUBE,CONNECTING	1

# FIG. 5

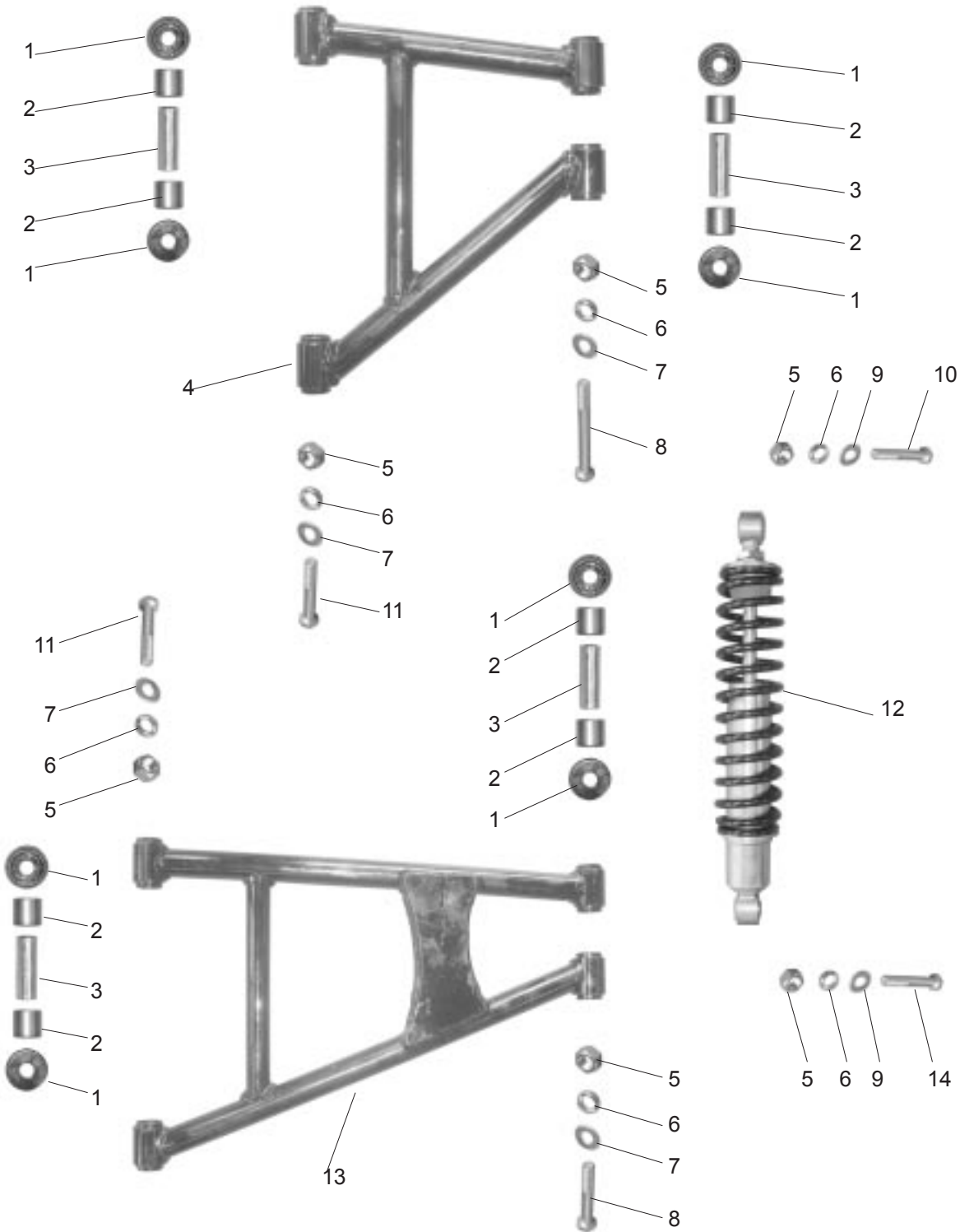
## FRONT SUSPENSION ARM ASSY





# FIG. 6

## REAR SUSPENSION ARM ASSY

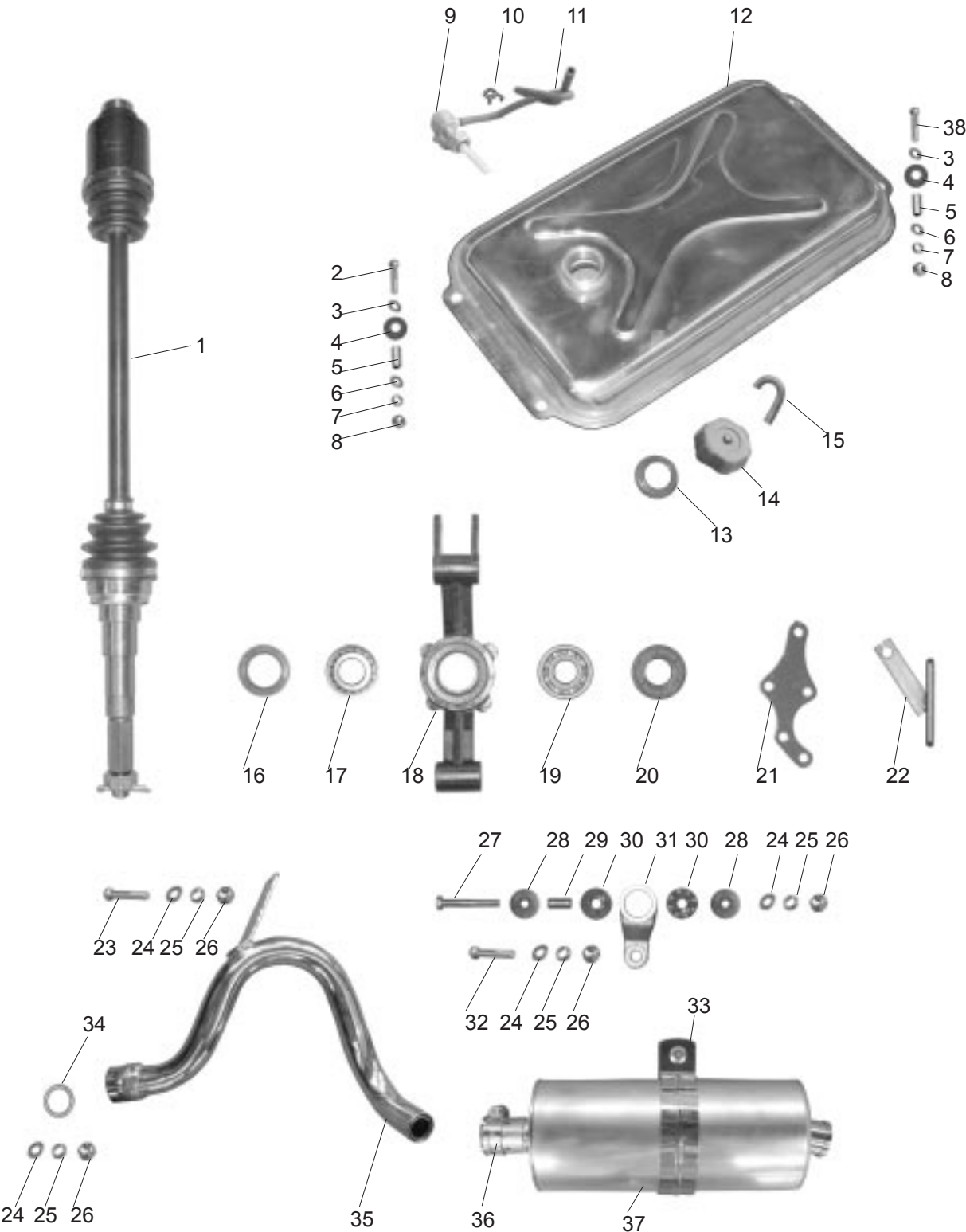






# FIG. 7

## REAR DRIVE AXLE ASSY

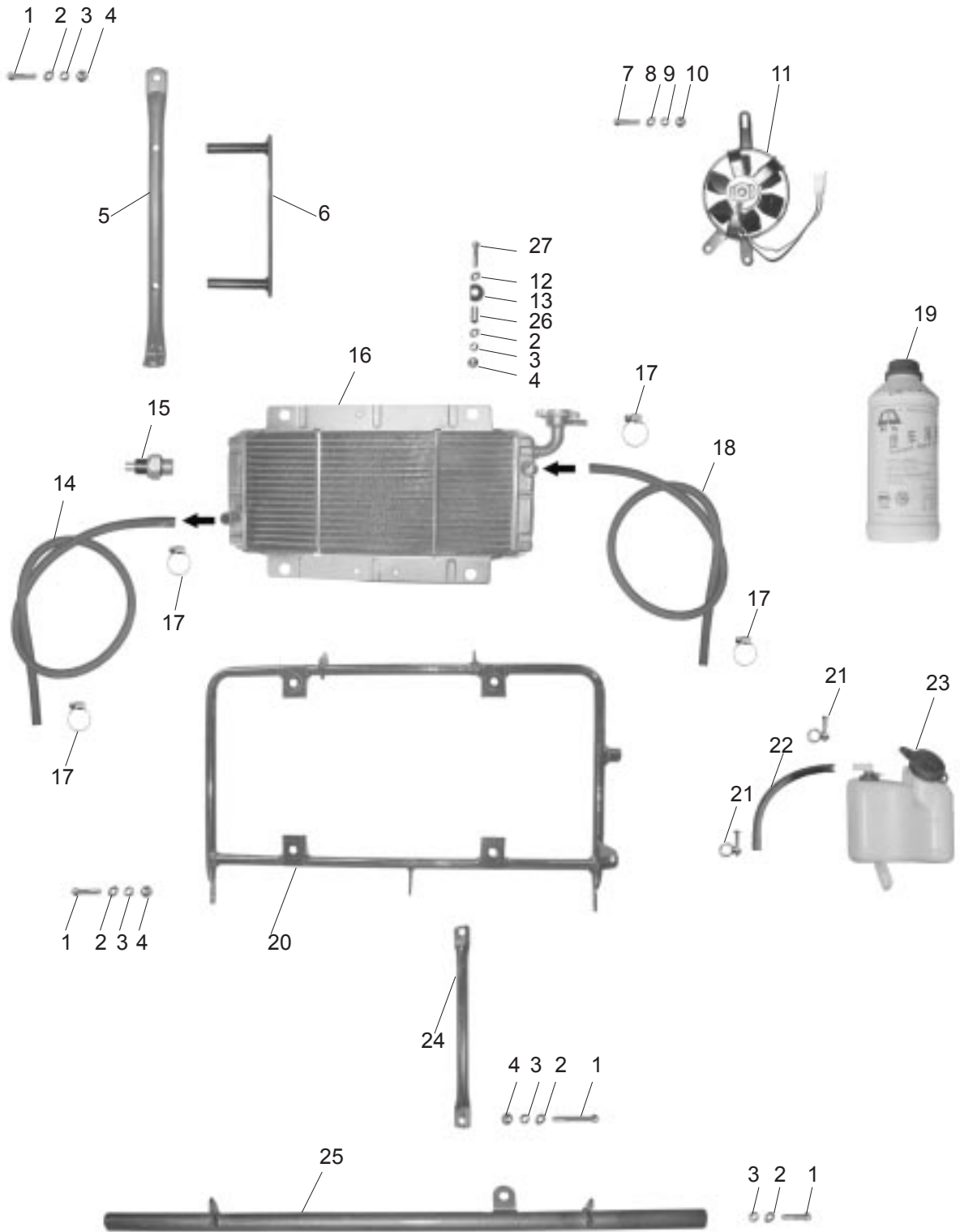


## REAR DRIVE AXLE ASSY

REF NO.	PART NO.	DESCRIPTION	REGD NO.
1	250-2A-1601000	REAR WHEEL AXLE COMP.	1
2	GB5783-86	BOLT, M8X110	2
3	GB96-85	FLAT WASHER,8MM	4
4	G-1200003	CUSHION RUBBER RING	4
5	G-1200002	COLLAR, FUEL TANK	4
6	GB97.1-85	WASHER,8MM	4
7	GB93-87	SPRING WASHER,8MM	4
8	GB6170-86	NUT,8MM	1
9	G-1202000	FUEL TANK COCK	1
10	G-1200005	CLIP, FUEL TUBE	1
11	G-1200001	HOSE, FUEL TANK	1
12	250-2A-1201000	FUEL TANK WELDING BODY	1
13	G-1200007	CUSHION, FUEL TANK CAP	1
14	G-1203000	CAP,FUEL TANK	1
15	A-1202001	HOSE,CAP,FUEL TANK	1
16	HG4-692-67	OIL SEAL 62X40X8	1
17	GB276-86	BEARING 206	1
18	250-2A-1600002	BEARING SHELL,REAR WHEEL AXLE	1
19	GB276-86	BEARING 107	1
20	HG4-692-67	OIL SEAL, 62X42X8	1
21	250-2A-2103003	FIXING PLATE, BRAKE PUMP	1
22	250-2A-2103101	BRACKET WELDING ,BRAKE PUMP	1
23	GB5783-86	BOLT, M8X30	1
24	GB97.1-85	WASHER,8MM	4
25	GB93-87	SPRING WASHER,8MM	4
26	GB6170-86	NUT ,8MM	4
27	GB5782-86	BOLT, M8X45	1
28	A-1300003	BIG WASHER	2
29	A-1300005	INNER COLLAR, CUSHION RUBBER	1
30	A-1300004	CUSHION RUBBER	2
31	250-2A-1300004	CONNECTING BRACKET	1
32	GB5783-86	BOLT ,M8X20	1
33	A250-1300005	CLIP,MUFFLER	1
34	250-2A-1300001	EXHAUST PIPE GASKET	1
35	250-2A-1301000	EXHAUST PIPE	1
36	A250-1304000	CONNECTING CLIP	1
37	A250-1302000	MUFFLER	1
38	GB5783-86	BOLT, M8X50	2

# FIG. 8

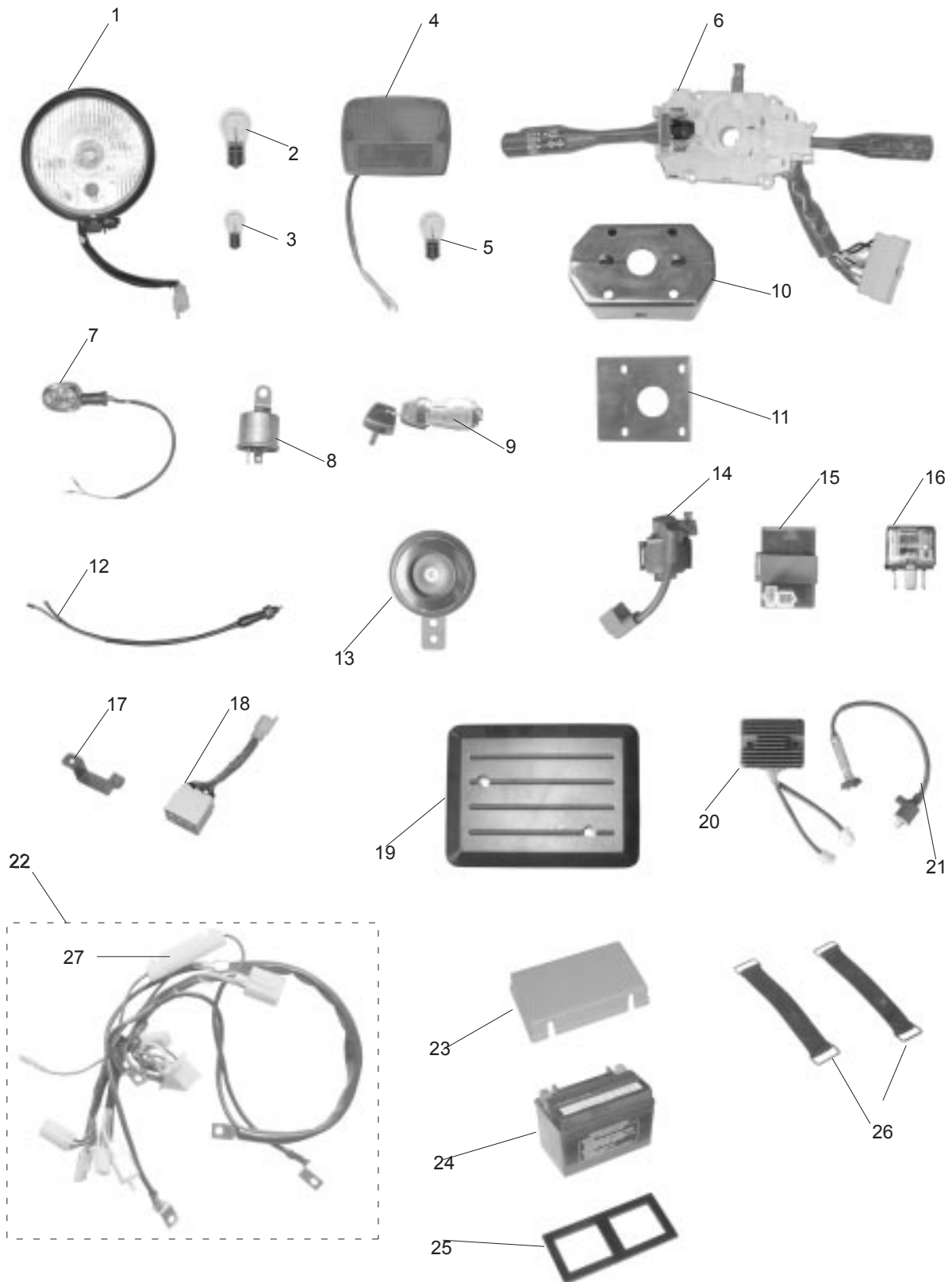
## COOLANT ASSY





# FIG. 9

## ELECTRICAL ASSY

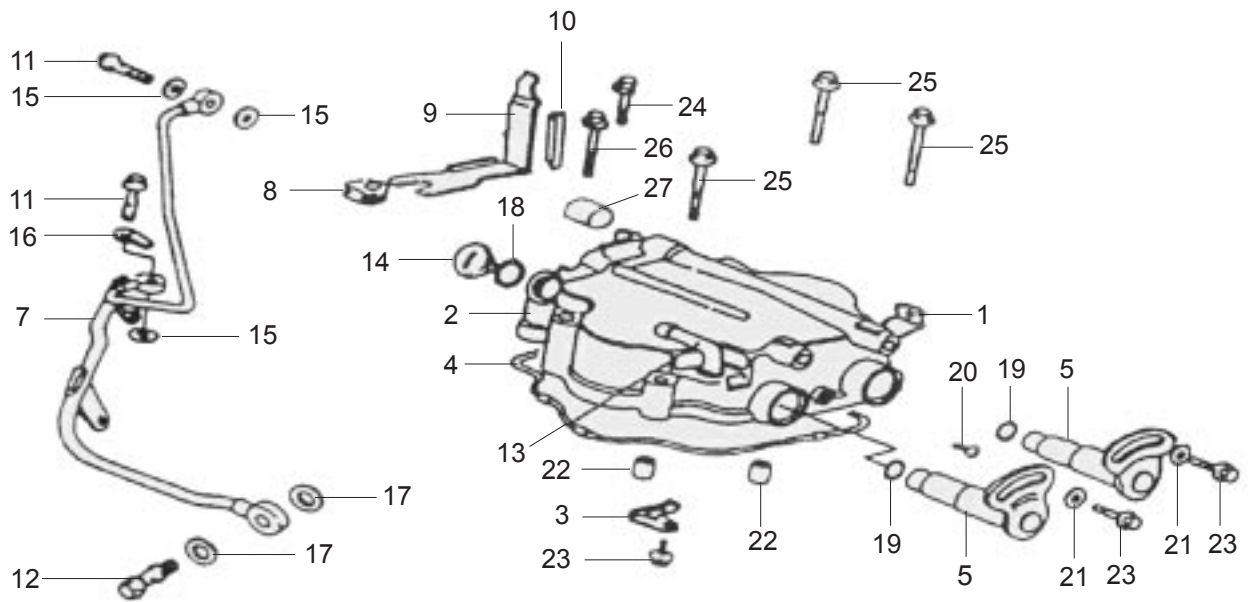


## ELECTRICAL ASSY

REF NO.	PART NO.	DESCRIPTION	REGD NO.
1	2A-1800100	HEADLIGHT UNIT	2
2	150-2A-1800101	BULB 12V/25W,HEADLIGHT	2
3	150-2A-1800102	BULB 12V/3W,HEADLIGHT	2
4	2A-1800900	TAIL LAMP	1
5	150-2A-1800901	BULB, TAIL TAMP	1
6	250-2A-1806000	ELECTRIC COMBINED SWITCH	1
7	150-2A-1800200	TURN SIGNAL	2SETS
8	150-2A-1800400	FLASHER	1
9	G-1802000	KEY SET-IGNITION SWITCH ASSY	1
10	150-2A-1800003	COVER, ELECTRIC COMBINED SWITCH	1
11	150-2A-2100006	FIXING PLATE, ELECTRIC COMBINED SWITCH	1
12	G-1813000	BRAKE LIGHT SWITCH	1
13	150-2A-1800600	HORN	1
14	250-2A-1801000	STARTING RELAY COMP.	1
15	250-2A-1802000	UNIT COMP.CDI	1
16	250-2A-1807000	RELAY UNIT	1
17	150-2A-1800001	FIXING PLATE	1
18	150-2A-1801100	TURN SIGNAL PILOT LAMP	1
19	250-2A-1800001	COVER, FIXING PLATE	1
20	250-2A-1803000	RECTIFIER, REGULATOR	1
21	250-2A-1804000	IGNITION COIL ASSY	1
22	250-2A-1805000	MAIN WIRE HARNESS ASSY	1
23	150-2A-1800002	COVER, BATTERY	1
24	150-2A-1800500	BATTERY,12V9AH	1
25	G-1805001	BATTERY UNDERLAY	1
26	G-1805002	BATTERY BAND	2
27	A250-1807001	CASE FUSE 20A	1

# FIG. 10

## CYLINDER HEAD ASSY(1)



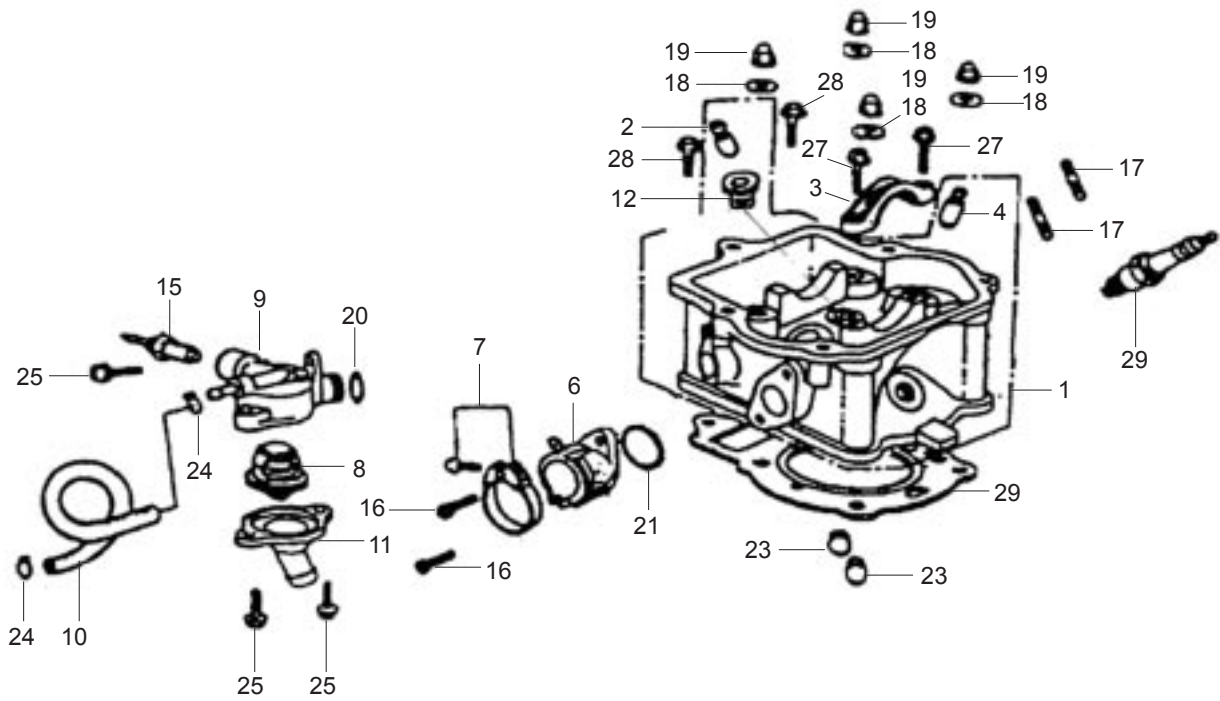


# CYLINDER HEAD ASSY(1)

REF NO.	PART NO.	DESCRIPTION	REGD NO.
1	XF172MM-1001001	SUPPORT,AIR CLEANER	1
2	XF172MM-1001101	HEAD COVER, CYLINDER	1
3	XF172MM-1001105	PLATE,CYLINDER HEAD COVER	1
4	XF172MM-1001102	SEALING WASHER, CYLINDER COVER	1
5	XF172MM-1005200	TAPPET ROCKER ARM SHAFT, INTAKE VALVE	1
6	XF172MM-1005300	TAPPET ROCKER ARM SHAFT,EXHAUST VALVE	1
7	XF172MM-1001510	OUTER OIL HOSE	1
8	XF172MM-1001504	CUSHION, OIL HOSE	1
9	XF172MM-1001502	BRACKET, OIL HOSE	1
10	XF172MM-1001503	ABSORBER BAR	1
11	XF172MM-1001501	BOLT, OIL HOSE(M8X1.25)	2
12	XF172MM-1001506	BOLT, OIL HOSE(M12X1.25)	1
13	XF172MM-1001103	TIE-IN BREATHER PIPE	1
14	XF125-B-1003607	SCREW CAP, M14	1
15	XF125T-1040002	WASHER, 8MM	3
16	XF172MM-1001509	ANGULAR WASHER, 8MM	1
17	XF172MM-1001507	WASHER, 12MM	2
18	XF125-B-1003608	O-RING, 13.8X2.5	1
19	XF125-1003019	O-RING, 9.4X2.4	2
20	GB818-85	SCREW ,M5X16	3
21	XF172MM-1001106	SACUER WASHER, 6MM	2
22	XF125-1003025	LOCATION DOWEL ,10X14	2
23	XF125T-1003202	BOLT, M6X12	3
24	XF125-B-1003075	BOLT,M6X25	1
25	XF125-1003032	BOLT, M6X50	1
26	XF172MM-1001011	BOLT, M6X55	3
27	XF172MM-1001104	PLUG, CYLINDER COVER+	1

# FIG. 11

## CYLINDER HEAD ASSY(2)

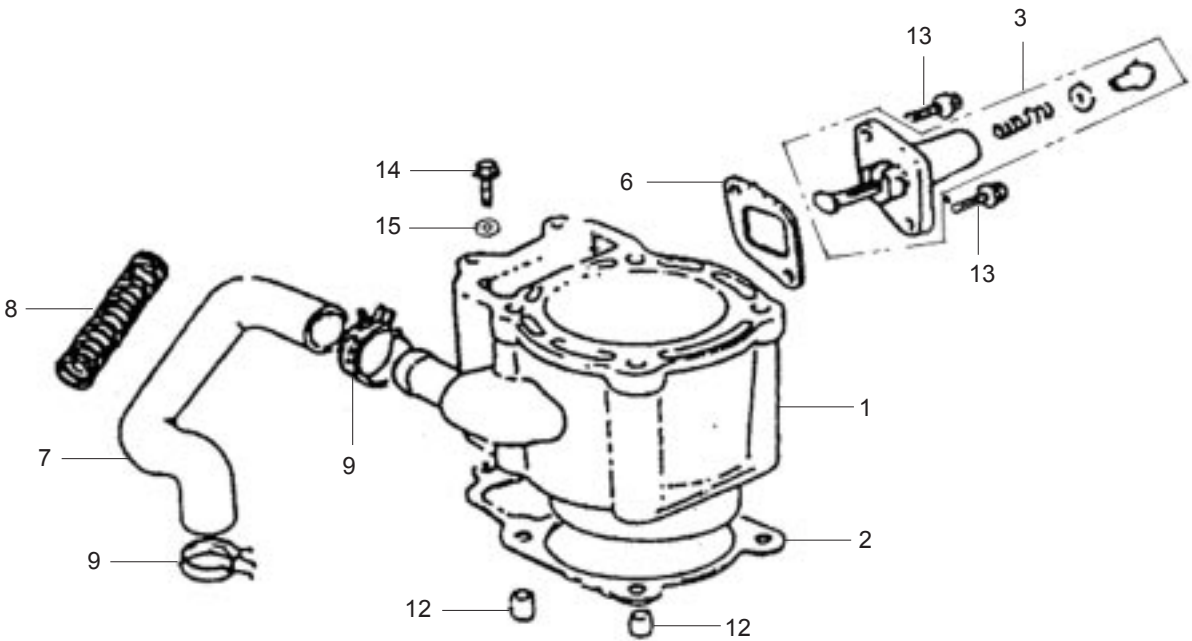


## CYLINDER HEAD ASSY(2)

REF NO.	PART NO.	DESCRIPTION	REGD NO.
1	XF172MM-1001300	CYLINDER HEAD COVER COMP.	1
2	XF172MM-1001302	INTAKE VALVE PIPE	1
3	XF172MM-1001002	FIXING BASE, CAN SHAFT	1
4	XF172MM-1001306	EXHAUST VALVE PIPE	1
5	XF172MM-1001010	GASKET, CYLINDER HEAD COVER	1
6	XF172MM-1001210	INTAKE VALVE BASE COMP.	1
7	XF172MM-1001220	CLIP COMP.	1
8	XF172MM-1009110	TEMPERATURE CONTROLLER	1
9	XF172MM-1009101	UPPERSHELL,TEMPERATURECONTROLLER	1
10	XF172MM-1009002	SMALL RETURN WATER PIPE	1
11	XF172MM-1009102	LOWERSHELL,TEMPERATURECONTROLLER	1
12	XF172MM-1001307	PLUG(M12X1)	1
15	XF172MM-1009120	TEMPERATURE SENSOR	1
16	GB70-85	SCREW, M16X18	2
17	XF172MM-1001308	STUD BOLT, M8X30	2
18	XF125T-1003004	WASHER, 8MM	4
19	XF172MM-1003003	NUT, 8MM	4
20	XF172MM-1009103	O-RING, 14X1.9	1
21	XF172MM-1001201	O-RING, 31X2	1
23	XF125-1003025	DOWEL 10X14	2
24	XF172MM-1001203	CLIP ,6.5	2
25	XF125-B-1003604	BOLT, M6X18	3
27	XF125-1001009	BOLT, M6X22	2
28	XF125-B-1003075	BOLT, M6X25	2
29	XF172MM-1001400	SPARK PLUGD7RC	1

# FIG. 12

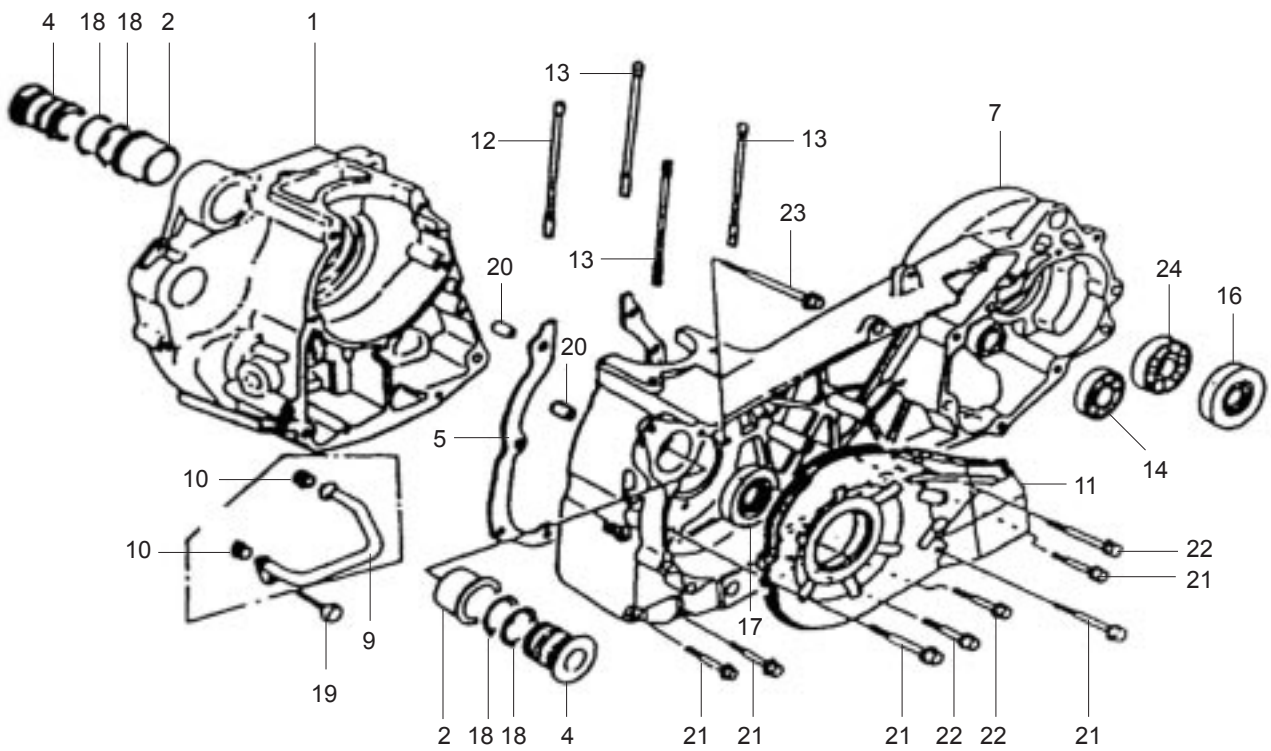
## CYLINDER BODY ASSY





# FIG. 13

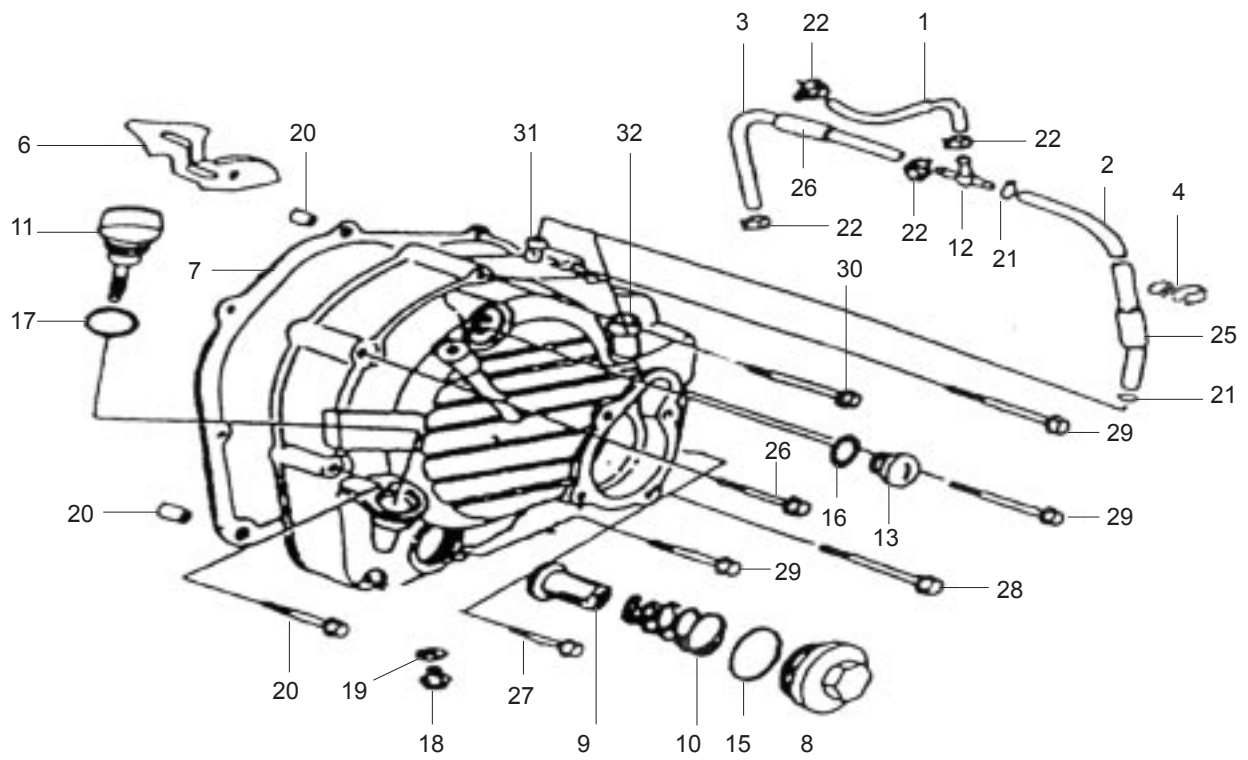
## CRANKCASE ASSY(1)





# FIG. 14

## CRANKCASE ASSY(2)



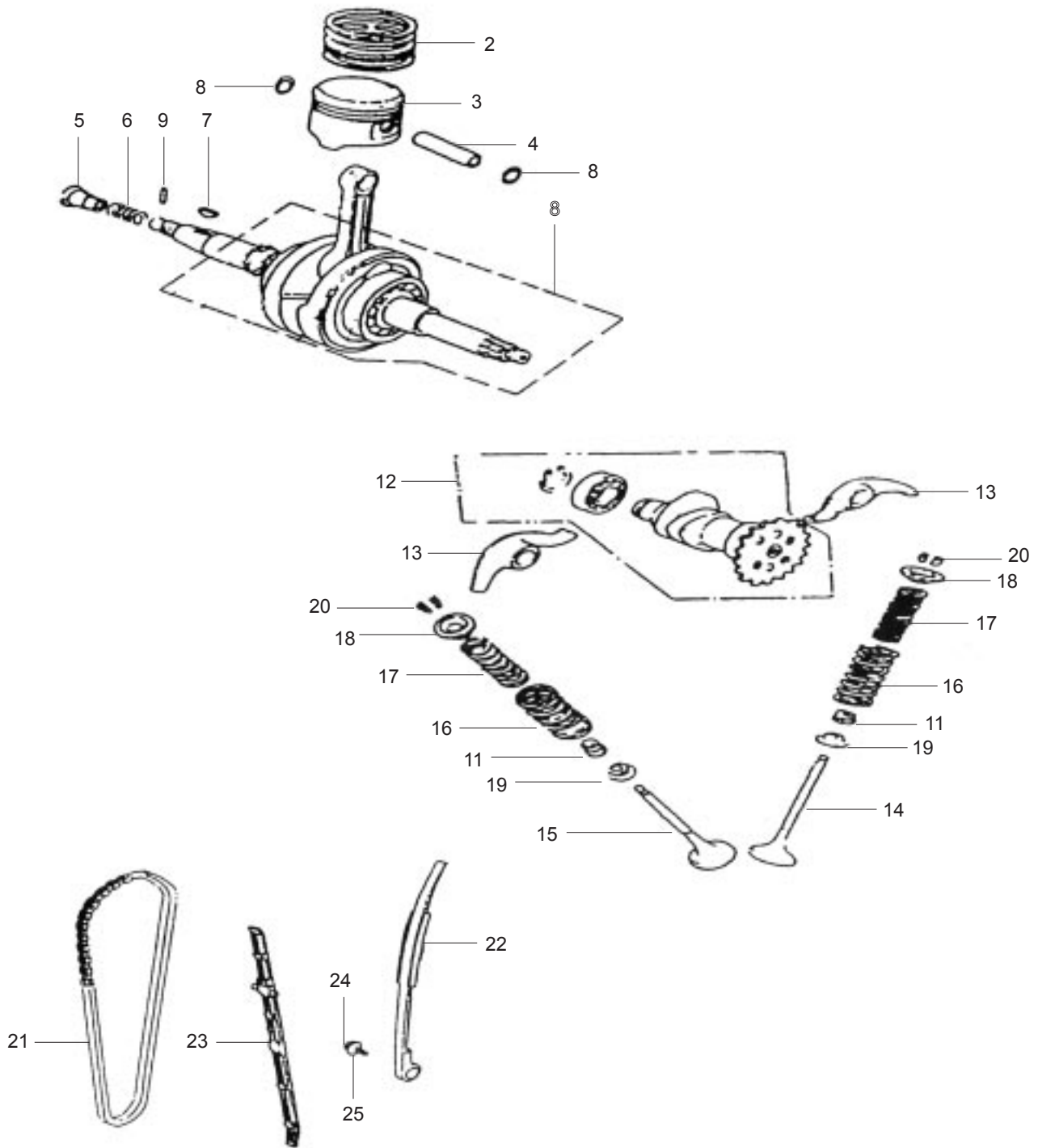


## CRANKCASE ASSY(2)

REF NO.	PART NO.	DESCRIPTION	REGD NO.
1	XF172MM-1003012	BREATHER PIPE(2)	1
2	XF172MM-1003013	BREATHER PIPE(3)	1
3	XF172MM-1003011	BREATHER PIPE(1)	1
4	XF172MM-1003016	PLASTIC CLIP	1
5	XF172MM-1003101	RIGHT CRANK CASE COVER	1
6	XF172MM-1003108	INNER OIL SHIELD, RIGHT COVER	1
7	XF172MM-1003003	GASKET, RIGHT CRANK CASE COVER	1
8	XF125T-1003104	NUT CAP,OIL FILTER	1
9	XF125T-1003120	OIL FILTER SCREEN COMP.	1
10	XF172MM-1003102	SPRING, OIL FILTER SCREEN	1
11	XF172MM-1003103	OIL DIP ROD	1
12	XF172MM-1003017	T-TIE-IN	1
13	XF125-B-1003607	SCREW CAP, M14	1
15	XF125T-1003103	O-RING, NUT CAP, 30.8X3	1
16	XF125-B-1003608	O-RING , 13.8X2.5	1
17	XF125-1003307	O-RING, 18X3	1
18	XF172MM-1003106	OIL DRAIN SCREW, M12X1.5	1
19	XF172MM-1001507	WASHER, 12MM	1
20	XF125-1003005	DOWEL, 8X14	2
21	XF172MM-1003019	CLIP, 9.5	2
22	XF172MM-1003018	CLIP, 11.5	4
25	XF172MM-1003015	THIMBLE, 17X37	1
26	XF172MM-1003014	THIMELE, 13X180	1
27	XF125T-1003011	BOLT, M6X28	1
28	XF172MM-1003022	BOLT, M6X70	3
29	XF125-1003034	BOLT, M6X40	3
30	XF172MM-1003109	SCREW , M6X80	1
31	XF172MM-1003105	TIE-IN, BREATHER PIPE	1
32	XF172MM-1003104	TIE-IN, WATER PIPE	1

# FIG. 15

## CRANKSHAFT PISTON CONNECTING ROD, VALVE TRAIN ASSY

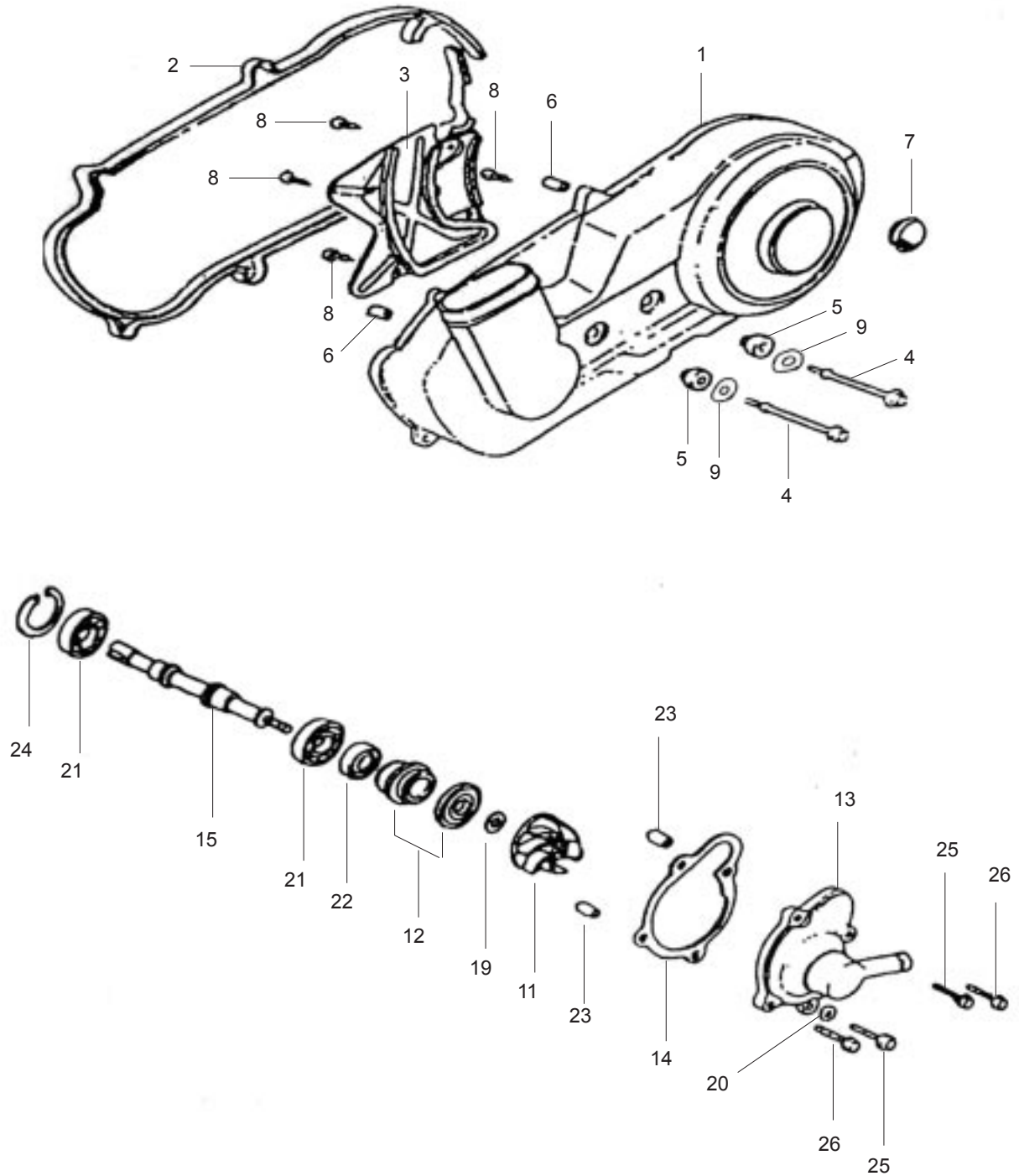


## CRANKSHAFT PISTON CONNECTING ROD ,VALVE TRAIN ASSY

REF NO.	PART NO.	DESCRIPTION	REGD NO.
1	XF172MM-1004100	CRANK SHAFT CONNCTETING ROD COMP.	1
2	172MM-1004002	FIRST PISTON RING	1
	172MM-1004003	SECOND PISTON RING	1
	172MM-1004200	COMBINED OIL RING	1
3	XF172MM-1004001	PISTON	1
4	XF172MM-1004005	PISTON PIN	1
5	XF250-S-1004012	OIL TUBE	1
6	XF250-S-1004011	SPRING, OIL TUBE	1
7	XF125-1004002	WOODRUFF KEY	1
8	XF172MM-1004004	LOCK SPRING, PISTON PIN	2
9	GB309-84	NEEDLE2X12	1
11	XF125T-1001310	OIL-SEAL, VALVE SHAFT	2
12	XF172MM-1005100	CAM SHAFT COMP.	1
13	XF172MM-1005008	TAPPET ROCKER ARM	2
14	XF172MM-1005002	EXHAUST VALVE	1
15	XF172MM-1005001	INTAKE VALVE	1
16	XF172MM-1005003	OUTER SPRING, VALVE	2
17	XF172MM-1005004	INNER SPRING, VALVE	2
18	XF125T-1001305	UPPER SPRING SEAT, VALVE	2
19	XF172MM-1005005	LOWER SPRING SEAT, VALVE	2
20	XF125T-1001306	VALVE KEY CLIP	4
21	XF172MM-1005400	TIMING DRIVER CHAIN	1
22	XF172MM-1005010	CHAIN TENSION COMP.	1
23	XF172MM-1005020	CHAIN GUIDE COMP.	1
24	XF125T-1003203	BOLT,	1
25	XF172MM-1005009	WASHER, TENSION	1

# FIG. 16

## LEFT COVER ,WATER COOLING ASSY

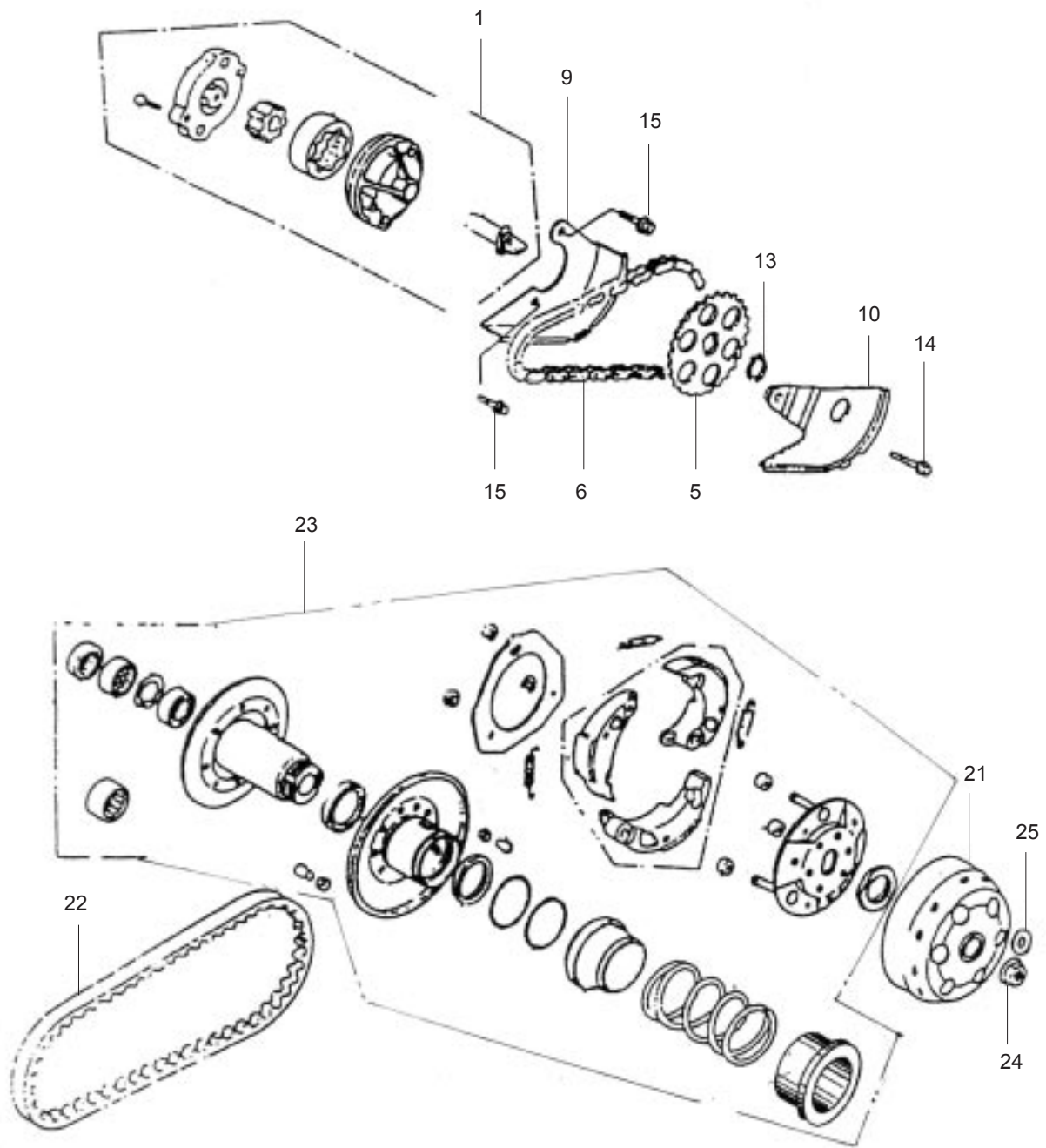


## LEFT COVER,WATER COOLING ASSY

REF NO.	PART NO.	DESCRIPTION	REGD NO.
1	XF172MM-1008001	LEFT COVER	1
2	XF172MM-1008002	SEALING RING, LEFT COVER	1
3	XF172MM-1008003	DUSTPROOF PLATE , LEFT COVER	1
	XF172MM-1008004	FELT, DUSTPROOF PLATE	2
4	XF172MM-1008101	BOLT, M6X114.5	2
5	XF250-S-1001103	ELASTICITY RUBBER	2
6	XF172MM-1008006	DOWEL10X16	1
7	XF172MM-1008005	RUBBER COVER	4
8	GB820-85	SCREW,M5X8	2
9	XF250-S-1001102	WOODRUFF GASKET	2
11	XF172MM-1009203	IMPELLER	1
12	XF172MM-1009206	SEALING RING	1
	XF172MM-1009207	WATER SEALING GASKET	1
	XF172MM-1009210	WATER SEALING COMP.	1
13	XF172MM-1009201	COVER, WATER PUMP	1
14	XF172MM-1009202	GASKET, WATER PUMP COVER	1
15	XF172MM-1009204	WATER PUMP AXLE	1
19	XF172MM-1009208	WASHER,7MM	1
20	XF172MM-1002003	WASHER,6MM	1
21	XF172MM-1009220	BEARING, 10X19X5	2
22	XF172MM-1009230	OIL-SEAL,10X20X5	1
23	XF125-1003005	DOWEL,8X14	2
24	GB893.1-86	CIRCLIP,19	1
25	XF125-B-1003075	BOLT,M6X25	2
26	XF172MM-1009006	BOLT,M6X36	2

# FIG. 17

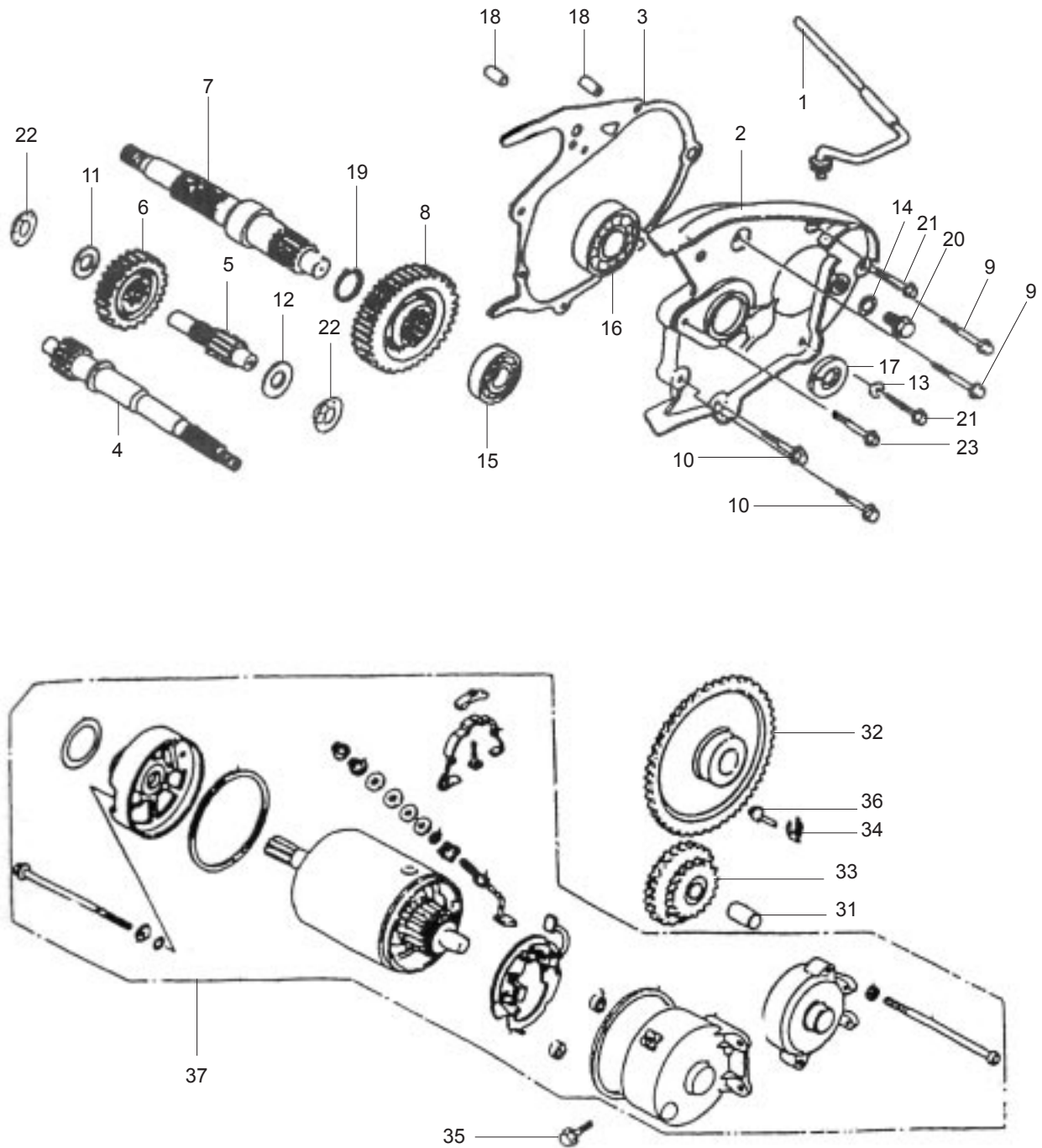
## OIL PUMP,CLUTCH ASSY





# FIG. 18

## SLOWDOWN GEAR, ELECTRIC STARTER ASSY



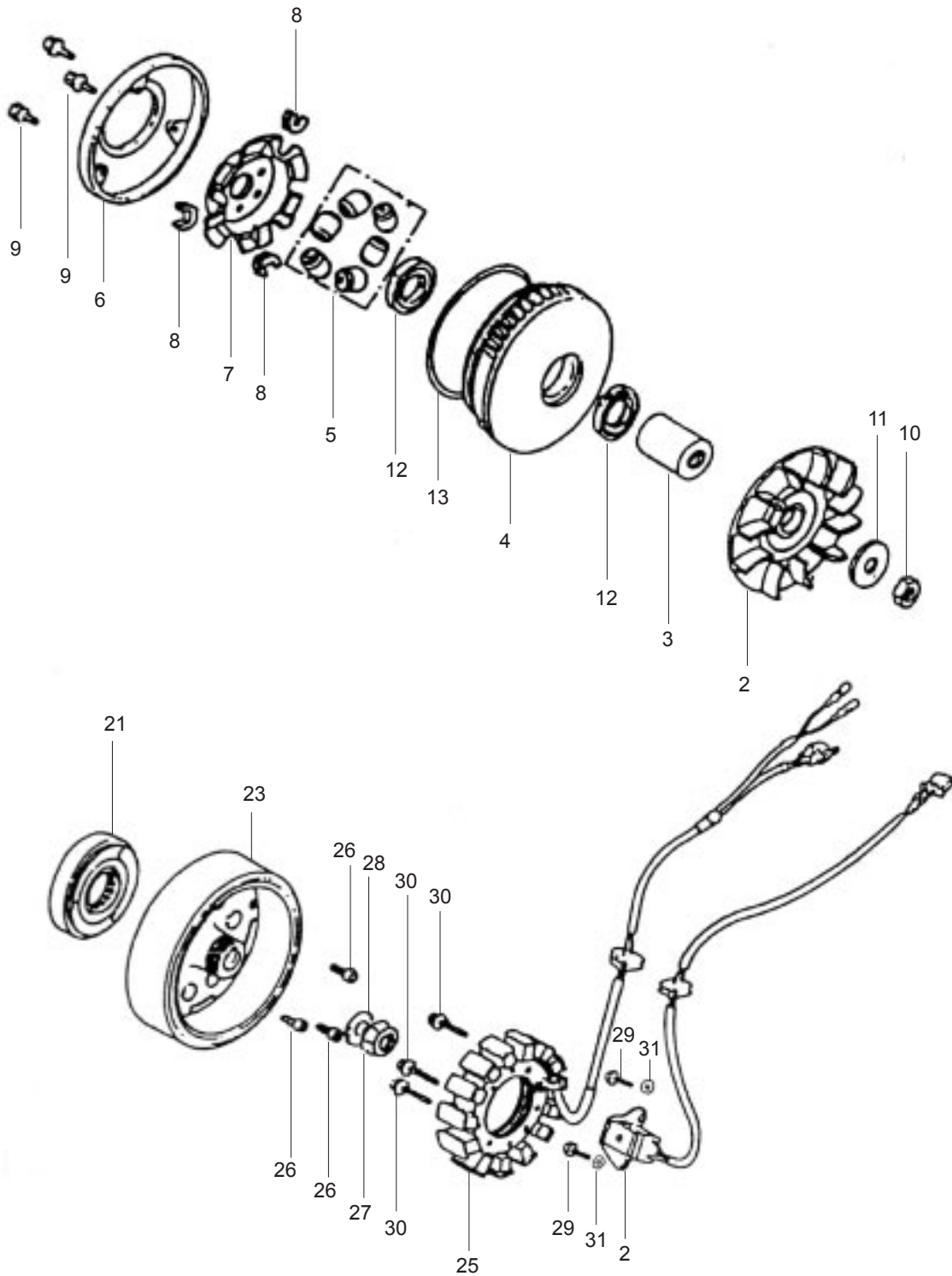


## **SLOWDOWN GEAR, ELECTRIC STARTER ASSY**

<b>REF NO.</b>	<b>PART NO.</b>	<b>DESCRIPTION</b>	<b>REGD NO.</b>
1	XF172MM-1044000	VENT PIPE COMP.	1
2	XF172MM-1040001	COVER, SLOWDOWN BOX	1
3	XF172MM-1040015	GASKET, SLOWDOWN BOX COVER	1
4	XF172MM-1040006	MAIN SHAFT	1
5	XF172MM-1043001	MIDDLE SHAFT	1
6	XF172MM-1043002	MIDDLE SHAFT AXLE GEAR	1
7	XF172MM-1040003	REAR WHEEL AXLE	1
8	XF172MM-1040004	GEAR, REAR WHEEL AXLE	1
9	XF172MM-1040016	BOLT,M8X38	2
10	XF172MM-1040019	BOLT,M8X25	2
11	XF172MM-1040013	BIG WASHER,MIDDLE AXLE	1
12	XF172MM-1040014	SMALL WASHER,MIDDLE AXLE	1
13	XF172MM-1002003	WASHER,6	1
14	XF172MM-1040002	WASHER,10	1
15	GB276-94	BEARING,E6304	1
16	GB276-94	BEARING,E6301	1
17	XF172MM-1043000	OIL-SEAL, MAIN SHAFT22X35X7	1
18	XF125-1003025	DOWEL, 10X14	2
19	GB894.1-86	CIRCLIP,24	1
20	XF172MM-1040008	OILING BOLT	1
21	XF172MM-1040018	BOLT,M6X30	2
22	XF172MM-1041000	NEEDLE BEARING,HK142216	2
23	XF172MM-1040017	BOLT, M8X35	1
31	XF172MM-1060001	ELECTRIC STARTING GEAR SHAFT	1
32	XF172MM-1061000	CLUTCH GEAR,ELECTRIC STARTING GEAR COMP.	1
33	XF172MM-1060002	MIDDLE GEAR, ELECTRIC STARTING	1
34	XF172MM-1060003	SPACING PLATE, STARTING LARGE GEAR	1
35	XF125-1001009	BOLT, M6X22	2
36	XF125T-1003005	BOLR,M6X14	1
37	XF172MM-1063000	STARTING ENGINE	1

# FIG. 19

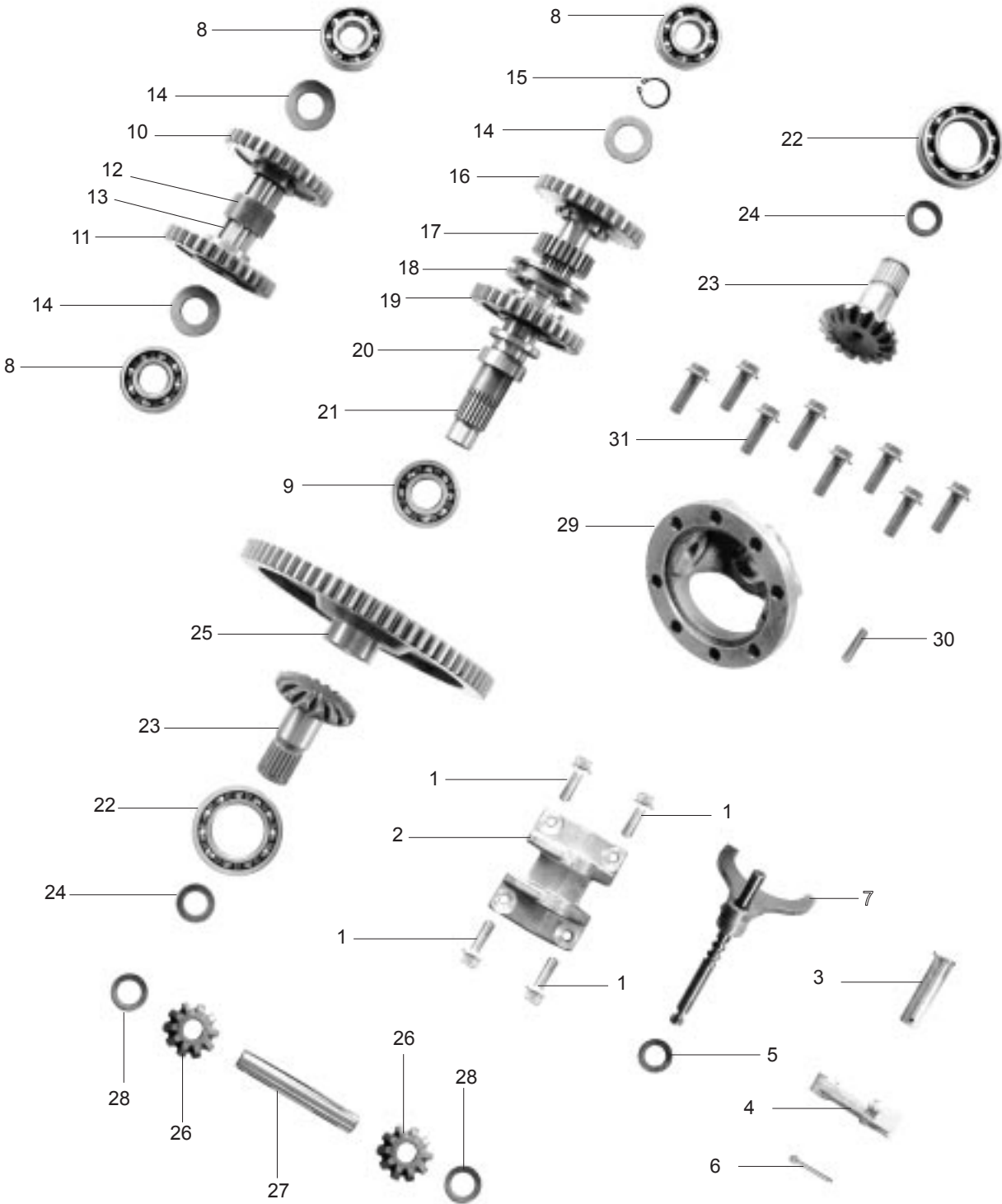
## DRIVER PLATE ASSY





# FIG. 20

## REVERSE ASSY(1)



## REVERSE ASSY(2)

REF NO.	PART NO.	DESCRIPTION	REGD NO.
1	GB/T5783-2000	BOLT, M8X25	4
2	XF172MM-1090003	HOLDER, OUTER ROCKER ARM	1
3	XF172MM-1090002	AXLE, OUTER ROCKER ARM	1
4	XF172MM-1090001	OUTER ROCKER ARM	1
5	XF125-1005001	WASHER 10	1
6	GB91-1976	SPLIT PIN 2.5X35	1
7	XF172MM-1090015/16	INNER SHIFT FORK COMP.	1
8	GB276-1994	BEARING E6204	3
9	GB276-1994	BEARING E6005	1
10	XF172MM-1090026	GEAR, MIDDLE AXLE (32 TEETH)	1
11	XF172MM-1090027	GEAR, MIDDLE AXLE (27 TEETH)	1
12	XF172MM-1090029	BUSH, MIDDLE AXLE	1
13	XF172MM-1090028	MIDDLE SPLINE AXLE	1
14	XF172MM-1090023	WAHER, D20XD26X3	3
15	GB894.1-1986	RETAINING CLIP, 20X1	1
16	XF172MM-1090022	GEAR, INPUT SHAFT (32 TEETH)	1
17	XF172MM-1090021	GEAR, INPUT SHAFT (28 TEETH)	1
18	XF172MM-1090024	SLOT BUSH, FORK	1
19	XF172MM-1090020	GEAR, INPUT SHAFT	1
20	XF172MM-1090025	WASHER, D25xD34X3.5	1
21	XF172MM-1040006A	OUTPUT SHAFT	1
22	GB276-1994	BEARING E6007	2
23	XF172MM-1090030	OUTPUT BEVEL GEAR SHAFT	2
24	XF172MM-1090040	WASHER, D25.2XD35X1	2
25	XF172MM-1090035	OUTPUT GEAR (70 TEETH)	1
26	XF172MM-1090031	PLANETARY GEAR	2
27	XF172MM-1090032	PLANETARY GEAR SHAFT	1
28	XF172MM-1090039	WASHER, D15.2DX25X1	2
29	XF172MM-1090033	HOLDER, PLANETARY GEAR	1
30	XF172MM-1090034	PIN, D5x26	1
31	XF172MM-1090036	BOLT, M10X1.25X30	8

# FIG. 21

## REVERSE ASSY(2)

